



# Maintenance and Service Guide

HP Spectre x360 14 inch 2-in-1 Laptop PC

Model numbers: 14-eu0xxx

## **SUMMARY**

This guide provides maintenance information about such topics as spare parts, removal and replacement of parts, security, and backing up.

## Legal information

© Copyright 2023 HP Development Company, L.P.

Bluetooth is a trademark owned by its proprietor and used by HP Inc. under license. The terms HDMI, HDMI High-Definition Multimedia Interface, and the HDMI Logo are trademarks or registered trademarks of HDMI Licensing Administrator, Inc. Intel, Arc, Core, and Thunderbolt are trademarks of Intel Corporation or its subsidiaries in the U.S. and/or other countries. Microsoft and Windows are either registered trademarks or trademarks of Microsoft Corporation in the United States and/or other countries. USB Gen4, USB Type-C, and USB-C are registered trademarks of USB Implementers Forum. DisplayPort™ and the DisplayPort™ logo are trademarks owned by the Video Electronics Standards Association (VESA®) in the United States and other countries. Miracast and Wi-Fi are registered trademarks of Wi-Fi Alliance.

The information contained herein is subject to change without notice. The only warranties for HP products and services are set forth in the express warranty statements accompanying such products and services. Nothing herein should be construed as constituting an additional warranty. HP shall not be liable for technical or editorial errors or omissions contained herein.

First Edition: December 2023

Document Part Number: N71637-001

### Product notice

This guide describes features that are common to most products. Some features might not be available on your computer.

Not all features are available in all editions or versions of Windows. Systems might require upgraded and/or separately purchased hardware, drivers, software, or BIOS update to take full advantage of Windows functionality. Windows is automatically updated, which is always enabled. High-speed internet and Microsoft account required. ISP fees might apply and additional requirements might apply over time for updates. See <http://www.windows.com>. **If your product ships with Windows in S Mode:** Windows in S Mode works exclusively with apps from the Microsoft Store within Windows. Certain default settings, features, and apps cannot be changed. Some accessories and apps that are compatible with Windows might not work (including some antivirus, PDF writers, driver utilities, and accessibility apps), and performance might vary, even if you switch out of S Mode. If you switch to Windows, you cannot switch back to S Mode. Learn more at [Windows.com/SmodeFAQ](http://Windows.com/SmodeFAQ).

To access the latest user guides, go to <http://www.hp.com/support>, and follow the instructions to find your product. Then select **Setup & User Guides**.

To help us improve this document, please send any suggestions, comments, or errors to <mailto:hp.doc.feedback@hp.com>. Include the document part number when submitting your feedback.

### Software Terms

By installing, copying, downloading, or otherwise using any software product preinstalled on this computer, you agree to be bound by the terms of the HP End User License Agreement (EULA). If you do not accept these license terms, your sole remedy is to return the entire unused product (hardware and software) within 14 days for a full refund subject to the refund policy of your seller.

For any further information or to request a full refund of the price of the computer, please contact your seller.

## Safety warning notice

Reduce the possibility of heat-related injuries or of overheating the computer by following the practices described.

- 
- ⚠ WARNING!** To reduce the possibility of heat-related injuries or of overheating the computer, do not place the computer directly on your lap or obstruct the computer air vents. Use the computer only on a hard, flat surface. Do not allow another hard surface, such as an adjoining optional printer, or a soft surface, such as pillows or rugs or clothing, to block airflow. Also, do not allow the AC adapter to come into contact with the skin or a soft surface, such as pillows or rugs or clothing, during operation. The computer and the AC adapter comply with the user-accessible surface temperature limits defined by applicable safety standards.
-

---

# Table of contents

|  |           |
|--|-----------|
| <b>1 Product description</b>   | <b>1</b>  |
| <b>2 Getting to know your computer</b>                               | <b>5</b>  |
| Right side   | 5         |
| Left side  | 6         |
| Display  | 6         |
| Low blue light mode (select products only)                           | 6         |
| IMAX Enhanced Mode (select products only)                            | 7         |
| Wake-on-voice (select products only)                                 | 7         |
| Keyboard area  | 8         |
| Touchpad settings and components                                     | 8         |
| Touchpad settings  | 8         |
| Adjusting touchpad settings  | 8         |
| Turning on the touchpad  | 8         |
| Turning on touchpad gesture control                                  | 8         |
| Touchpad components  | 9         |
| Lights   | 9         |
| Buttons, speakers, and fingerprint reader                            | 10        |
| Special keys   | 12        |
| Rear   | 13        |
| Bottom   | 13        |
| Labels   | 14        |
| <b>3 Illustrated parts catalog</b>                                   | <b>16</b> |
| Computer major components  | 16        |
| Display assembly subcomponents                                       | 18        |
| Miscellaneous parts  | 20        |
| <b>4 Removal and replacement procedures preliminary requirements</b> | <b>22</b> |
| Tools required   | 22        |
| Service considerations   | 22        |
| Plastic parts  | 22        |
| Cables and connectors  | 22        |
| Drive handling   | 22        |
| Electrostatic discharge information                                  | 23        |
| Generating static electricity  | 23        |
| Preventing electrostatic damage to equipment                         | 24        |
| Personal grounding methods and equipment                             | 24        |
| Grounding the work area  | 25        |
| Recommended materials and equipment                                  | 25        |

|   |           |
|---|-----------|
| Cleaning your computer .....  | 26        |
| Enabling HP Easy Clean (select products only) .....   | 26        |
| Removing dirt and debris from your computer .....   | 26        |
| Cleaning your computer with a disinfectant .....  | 27        |
| Caring for wood veneer (select products only) .....   | 28        |
| Packaging and transporting guidelines .....   | 28        |
| Accessing support information .....   | 29        |
| <b>5 Removal and replacement procedures for authorized service provider parts .....</b>         | <b>31</b> |
| Component replacement procedures .....  | 31        |
| Preparation for disassembly .....   | 31        |
| Bottom cover .....  | 31        |
| Battery .....   | 33        |
| Display subcomponents (without removing the display) .....                                      | 34        |
| Display assembly .....  | 41        |
| Speakers .....  | 46        |
| WLAN module .....   | 47        |
| Solid-state drive .....   | 48        |
| Heat sink and fan assembly .....  | 50        |
| Touchpad .....  | 52        |
| System board .....  | 54        |
| USB door .....  | 56        |
| Audio board .....   | 57        |
| Infrared (IR) sensor board .....  | 58        |
| Power button/fingerprint reader board .....   | 59        |
| Keyboard .....  | 62        |
| <b>6 Using Setup Utility (BIOS) .....</b>   | <b>66</b> |
| Starting Setup Utility (BIOS) .....   | 66        |
| Updating Setup Utility (BIOS) .....   | 66        |
| Determining the BIOS version .....  | 66        |
| Preparing for a BIOS update .....   | 67        |
| Downloading a BIOS update .....   | 67        |
| Installing a BIOS update .....  | 67        |
| <b>7 Backing up, restoring, and recovering .....</b>  | <b>69</b> |
| Backing up information and creating recovery media .....  | 69        |
| Using Windows tools for backing up .....  | 69        |
| Using the HP Cloud Recovery Download Tool to create recovery media (select products only) ..... | 69        |
| Restoring and recovering your system .....  | 69        |
| Creating a system restore .....   | 70        |
| Restoring and recovery methods .....  | 70        |
| Recovering using HP Recovery media .....  | 70        |
| Changing the computer boot order .....  | 71        |
| Using HP Sure Recover (select products only) .....  | 71        |
| <b>8 Using HP PC Hardware Diagnostics .....</b>   | <b>72</b> |
| Using HP PC Hardware Diagnostics Windows (select products only) .....                           | 72        |

|   |           |
|---|-----------|
| Using an HP PC Hardware Diagnostics Windows hardware failure ID code.....                               | 72        |
| Accessing HP PC Hardware Diagnostics Windows.....   | 72        |
| Accessing HP PC Hardware Diagnostics Windows from HP Support Assistant.....                             | 72        |
| Accessing HP PC Hardware Diagnostics Windows from the Start menu (select products only).....            | 73        |
| Downloading HP PC Hardware Diagnostics Windows.....   | 73        |
| Downloading the latest HP PC Hardware Diagnostics Windows version from HP.....                          | 73        |
| Downloading the HP PC Hardware Diagnostics Windows from the Microsoft Store.....                        | 73        |
| Downloading HP Hardware Diagnostics Windows by product name or number (select products only).....       | 73        |
| Installing HP PC Hardware Diagnostics Windows.....  | 74        |
| Using HP PC Hardware Diagnostics UEFI.....  | 74        |
| Using an HP PC Hardware Diagnostics UEFI hardware failure ID code.....                                  | 74        |
| Starting HP PC Hardware Diagnostics UEFI.....   | 74        |
| Starting HP PC Hardware Diagnostics UEFI through HP Hotkey Support software (select products only)..... | 75        |
| Downloading HP PC Hardware Diagnostics UEFI to a USB flash drive.....                                   | 75        |
| Downloading the latest HP PC Hardware Diagnostics UEFI version.....                                     | 76        |
| Downloading HP PC Hardware Diagnostics UEFI by product name or number (select products only).....       | 76        |
| Using Remote HP PC Hardware Diagnostics UEFI settings (select products only).....                       | 76        |
| Downloading Remote HP PC Hardware Diagnostics UEFI.....   | 76        |
| Downloading the latest Remote HP PC Hardware Diagnostics UEFI version.....                              | 76        |
| Downloading Remote HP PC Hardware Diagnostics UEFI by product name or number.....                       | 76        |
| Customizing Remote HP PC Hardware Diagnostics UEFI settings.....  | 77        |
| <b>9 Specifications.....</b>  | <b>78</b> |
| Computer specifications.....  | 78        |
| Display specifications.....   | 78        |
| Solid-state drive specifications.....   | 79        |
| <b>10 Power cord set requirements.....</b>  | <b>80</b> |
| Requirements for all countries.....   | 80        |
| Requirements for specific countries and regions.....  | 80        |
| <b>11 Recycling.....</b>  | <b>82</b> |
| <b>Index.....</b>   | <b>83</b> |

# 1 Product description

This table provides detailed product information.

**Table 1-1 Product components and their descriptions**

| Category               | Description   |
|------------------------|---|
| <b>Product Name</b>    | <b>HP Spectre x360 14 inch 2-in-1 Laptop PC</b><br>Model numbers: 14-eu0xxx<br>CTO model number: 14t-eu000  |
| <b>Processors</b>      | Intel® Core® Ultra 7 155H (4.8 GHz, 16 cores, 24 MB Intel Smart Cache, 28 W)<br>Intel Core Ultra 5 125H (4.5 GHz, 14 cores, 18 MB Intel Smart Cache, 28 W)  |
| <b>Graphics</b>        | <b>Internal graphics</b><br>Intel Arc™ Integrated Graphics  |
| <b>Display</b>         | <b>14.0 in (35.6 cm), active matrix organic light-emitting diode (AMOLED), augmented reality (AR), VWL, DBTS, touch screen</b><br>2.8K (2880 × 1800), 100% DCI-P3, BrightView, low blue light, ultrawide viewing angle (UWVA), embedded DisplayPort™ (eDP) 1.4 + panel self-refresh (PSR), 400 nits, 120 Hz (VRR) |
| <b>Memory</b>          | Integrated, not customer accessible or upgradeable supporting 32 GB or 16 GB of RAM<br>LPDDR5x-7467   |
| <b>Primary storage</b> | <b>PCIe, Non-Volatile Memory express (NVMe), M.2 2280 solid-state drives</b><br>2 TB, PCIe-4 × 4, triple layer cell (TLC)<br>2 TB, PCIe-4 × 4, TLC (only available in China)<br>1 TB, PCIe-4 × 4, TLC<br>1 TB, PCIe-4 × 4, TLC (only available in China)<br>512 GB, PCIe-4 × 4, TLC                               |
| <b>Audio and video</b> | Quad speakers<br>Supports speaker swap<br>Supports HP Presence 2.0<br>Supports DTS:X Ultra<br>Support for HP Audio Boost 2.0<br>Supports Alexa<br>Supports XiaoWei<br>Supports Cortana (far field)<br>Supports Poly Studio  |

**Table 1-1 Product components and their descriptions (continued)**

| Category  | Description   |
|---|---|
| <b>Video</b>  | <b>HP Wide Vision 9 MP Camera:</b> with shutter door, indicator LED, 1× infrared (IR) LED, MIPI, 9 MP BSI sensor, f1.8, WDR/TNR, 88° wide field-of-view (WFOV)  |
|   | Dual-array digital microphone with appropriate software: beam forming, echo cancellation, noise suppression   |
|   | Supports Windows Hello  |
| <b>Wireless</b>   | Compatible with Miracast® devices   |
|   | Supports Modern Standby (Connected)   |
|   | Intel Bluetooth® Audio Offload  |
|   | Bluetooth LE Audio  |
|   | Wi-Fi BIOS SAR  |
|   | WLAN Time Average SAR (TAS)   |
|   | Dynamic antenna gain  |
|   | UNII-4 5 GHz channel  |
|   | <b>Integrated wireless module</b>   |
|   | Intel AX211 Wi-Fi® 6E Bluetooth 5.3 WLAN  |
| Intel Wi-Fi 7 BE200 + Bluetooth 5.4 (802.11be 2 × 2, 320 MHz) |   |
| <b>Ports</b>  | Audio-out (headphone)/audio-in (microphone) combo jack  |
|   | USB 3.2 Gen 2 Type-C® (left side, supports HP Sleep & Charge)   |
|   | (2) USB Gen4® Type-C Thunderbolt™ (right side), supports:   |
|   | <ul style="list-style-type: none"> <li>• Thunderbolt 3 and Thunderbolt 4</li> <li>• Data transfer</li> <li>• Power Delivery 3.0</li> <li>• HP Sleep &amp; Charge</li> <li>• DisplayPort 2.1 (2 × 4 K, 2 × 5 K, 1 × 8 K output) through USB-C adapter</li> <li>• HDMI® 2.1 out up to 8K @ 60 Hz with HDCP 2.2 through adapter</li> </ul> |
|   |   |
|   |   |
|   |   |
| <b>Keyboard/pointing devices</b>                              | <b>Keyboard</b>   |
|   | Backlit, island style   |
|   | <b>Haptic touchpad</b>  |
|   | Haptics touchpad gestures   |
|   | Multitouch gestures enabled   |
|   | Precision touchpad support  |
|   | Brightness/volume mode switch   |
|   | Taps enabled as default   |



**Table 1-1 Product components and their descriptions (continued)**

| Category                  | Description  |
|---------------------------|--|
| <b>Power requirements</b> | <b>Battery</b> (polymer, HP Long Life)                 |
|                           | 4 cell, 68 Whr   |
|                           | HP Fast Charge Technology                              |
|                           | <b>Smart AC adapters</b> (USB-C, slim, straight)       |
|                           | 65 W   |
|                           | 65 W, for use in Argentina                             |
|                           | <b>Power cord</b>                                      |
|                           | C5, premium, 1 m (3.3 ft), right angle                 |
|                           | C5, premium, 1m (3.3 ft) with plug adapter             |
| <b>Security</b>           | Supports Trusted Platform Module (TPM) 2.0, discrete   |
|                           | Microphone mute  |
|                           | Camera privacy cover                                   |
|                           | Fingerprint reader                                     |
| <b>Sensors</b>            | Accelerometer + Gyroscope + eCompass                   |
|                           | Accelerometer x2                                       |
|                           | AI chip  |
|                           | IR thermal sensor                                      |
| <b>Operating system</b>   | Windows® 11 Pro  |
|                           | Windows 11 Pro High End                                |
|                           | Windows 11 Pro High End China                          |
|                           | Windows 11 Pro China                                   |
|                           | Windows 11 Pro Value                                   |
|                           | Windows 11 Pro Value China                             |
|                           | Windows 11 Pro Entry                                   |
|                           | Windows 11 Pro Entry China                             |
|                           | Windows 11 Home 64 Desktop AIO Chinese Market CPPP     |
|                           | Windows 11 Home in S Mode for Developed Markets (ML)   |
|                           | Windows 11 Home in S Mode for Emerging Markets (EM/SL) |
|                           | Windows 11 Home in S Mode for China Market             |
|                           | Windows 11 Home in S Mode for APAC Markets             |
|                           | Windows 11 Home in S Mode for Africa Markets           |
|                           | Windows 11 Home in S Mode for Indonesia Market         |

**Table 1-1 Product components and their descriptions (continued)**

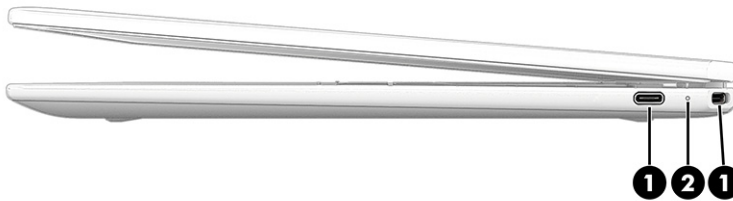
| <b>Category</b>         | <b>Description</b>                          |
|-------------------------|---|
| <b>Operating system</b> | Windows 11 Home in S Mode for India Market  |
|                         | Windows 11 Home for Developed Market (ML)   |
|                         | Windows 11 Home for Developed Market (ML)   |
|                         | Windows 11 Home for Emerging Market (EM/SL) |
|                         | Windows 11 Home for China Market            |
|                         | Windows 11 Home for India Market            |
|                         | Windows 11 Home for Indonesia Market        |
|                         | Windows 11 Home for APAC Market             |
|                         | Windows 11 Home for Africa PPP Market       |
| <b>Serviceability</b>   | <b>End user replaceable parts</b>           |
|                         | AC adapter                                  |

## 2 Getting to know your computer

Your computer features top-rated components. This chapter provides details about your components, where they are located, and how they work.

### Right side

Identify the components on the right side of the computer.

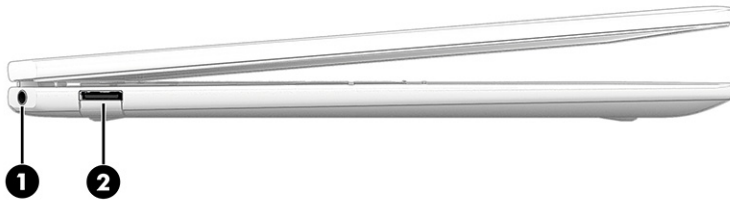


**Table 2-1** Right-side components and their descriptions

| Component | Description   |
|-----------|---|
| (1)       | <p>USB Type-C® power connectors and Thunderbolt™ ports with HP Sleep and Charge and DisplayPort™ output (2)</p> <p>Connect an AC adapter that has a USB Type-C connector, supplying power to the computer and, if needed, charging the computer battery.</p> <p>- and -</p> <p>Connect USB devices, provide high-speed data transfer, and charge small devices (such as a smartphone), even when the computer is off.</p> <p><b>NOTE:</b> Use a standard USB Type-C charging cable or cable adapter (purchased separately) when charging a small external device.</p> <p>- and -</p> <p>Connect display devices that have a USB Type-C connector, providing DisplayPort output.</p> <p><b>NOTE:</b> Your computer might also support a Thunderbolt docking station.</p> |
| (2)       | <p>AC adapter and battery light</p> <ul style="list-style-type: none"><li>• White: The AC adapter is connected and the battery is fully charged.</li><li>• Blinking amber: The AC adapter is disconnected and the battery has reached a low battery level.</li><li>• Amber: The AC adapter is connected and the battery is charging.</li><li>• Off: The battery is not charging.</li></ul>  |

## Left side

Identify the components on the left side of the computer.



**Table 2-2** Left-side components and their descriptions

| Component  | Description  |
|--|--|
| (1) Audio-out (headphone)/Audio-in (microphone) combo jack | <p>Connects optional powered stereo speakers, headphones, earbuds, a headset, or a television audio cable. Also connects an optional headset microphone. This jack does not support optional standalone microphones.</p> <p><b>WARNING!</b> To reduce the risk of personal injury, adjust the volume before putting on headphones, earbuds, or a headset. For additional safety information, see the <i>Regulatory, Safety, and Environmental Notices</i>.</p> <p>To access this guide:</p> <ul style="list-style-type: none"><li>■ Select the <b>Search</b> icon in the taskbar, type <b>HP Documentation</b> in the search box, and then select <b>HP Documentation</b>.</li></ul> <p><b>NOTE:</b> When a device is connected to the jack, the computer speakers are disabled.</p> |
| (2) USB 10 Gbps port with HP Sleep and Charge              | <p>Connects a USB device, provides high-speed data transfer, and charges small devices (such as a smartphone), even when the computer is off.</p> <p><b>NOTE:</b> Use a standard USB Type-A charging cable or cable adapter (purchased separately) when charging a small external device.</p>  |

## Display

The computer display can include essential components such as speakers, antennas, cameras, and microphones.

### Low blue light mode (select products only)

Your computer display is shipped from the factory in low blue light mode for improved eye comfort and safety. Also, blue light mode automatically adjusts blue light emissions when you are using the computer at night or for reading.

- ⚠ **WARNING!** To reduce the risk of serious injury, read the *Safety & Comfort Guide*. It describes proper workstation setup and proper posture, health, and work habits for computer users. The *Safety & Comfort Guide* also provides important electrical and mechanical safety information. The *Safety & Comfort Guide* is available on the web at <http://www.hp.com/ergo>.

## IMAX Enhanced Mode (select products only)

Select computer models are configured with IMAX® Enhanced Mode, a solution built into the hardware and software to enhance the IMAX audio and video experience.


To access the latest setup documentation, go to <http://www.hp.com/support>, type IMAX in the **Search our knowledge library** search box, and then select **HP Consumer Notebook PCs - Enabling the IMAX features**.

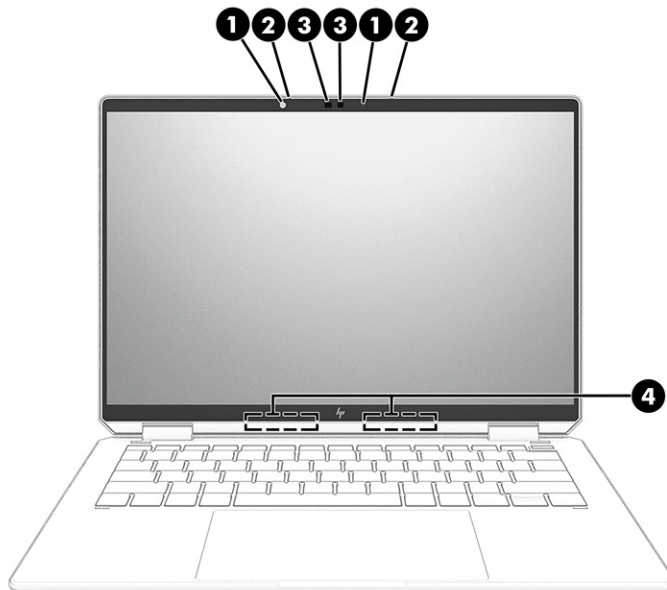
## Wake-on-voice (select products only)

Use the wake-on-voice feature to bring the computer out of the Sleep state quickly.

To access the wake-on-voice settings, follow these steps:

1. Select the **Search** icon in the taskbar, type *XiaoWei* in the search box, and then select **XiaoWei**.
2. When the tool opens, scan the QR code with your mobile device, which takes you to the settings page, where you can select your wake-on-voice features.
3. Follow the on-screen instructions.

 **NOTE:** Allow the XiaoWei app to continue running on the computer.



**Table 2-3** Display components and their descriptions

| Component                    | Description  |
|------------------------------|--|
| (1) Camera lights (2)        | On: One or more cameras are in use.  |
| (2) Internal microphones (2) | Record sound.  |
| (3) Cameras (2)              | Allow you to video chat, record video, and record still images. Some cameras also allow a facial recognition logon to Windows®, instead of a password logon. |

**NOTE:** Camera functions vary depending on the camera hardware and software installed on your product.

**Table 2-3** Display components and their descriptions (continued)

| Component              | Description   |
|------------------------|---|
| (4) WLAN antennas* (2) | Send and receive wireless signals to communicate with wireless local area networks (WLANs). |

\*The antennas are not visible from the outside of the computer. For optimal transmission, keep the areas immediately around the antennas free from obstructions.

For wireless regulatory notices, see the section of the *Regulatory, Safety, and Environmental Notices* that applies to your country or region.

To access this guide:

- Select the **Search** icon in the taskbar, type `HP Documentation` in the search box, and then select **HP Documentation**.

## Keyboard area

Keyboards can vary by language.



**NOTE:** The keyboard area, including the function keys and (select products only) power key, is disabled in stand, tent, and tablet modes. To enable the keyboard, including the power key, change to the clamshell mode.

## Touchpad settings and components

Learn the touchpad settings and components.

### Touchpad settings

Learn how to adjust touchpad settings.

#### Adjusting touchpad settings

Use these steps to adjust touchpad settings and gestures.

1. Select the **Search** icon in the taskbar, type `touchpad settings` in the search box, and then press `enter`.
2. Choose a setting.

#### Turning on the touchpad

Follow these steps to turn on the touchpad.

1. Select **Start**, select **Settings**, select **Bluetooth & devices**, and then select **Touchpad**.
2. Using an external mouse, click the **Touchpad** button.

If you are not using an external mouse, press the **Tab** key repeatedly until the pointer rests on the **Touchpad** button. Then press the `spacebar` to select the button.

#### Turning on touchpad gesture control

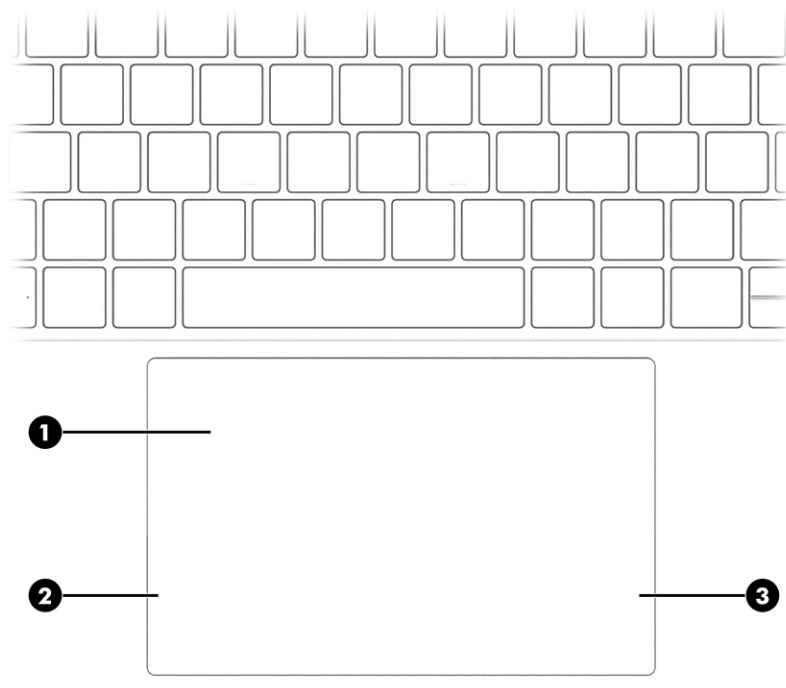
The touchpad gesture control feature allows you to customize your touchpad to control screen brightness and speaker volume.

By default, touchpad gesture control is turned off. Follow these steps to turn on the touchpad gesture control feature.

1. Go to the **myHP** app.
2. Select **PC Device**, and then select **Touchpad**.
3. Turn on **Enable gesture control**.

## Touchpad components

Identify the touchpad components.

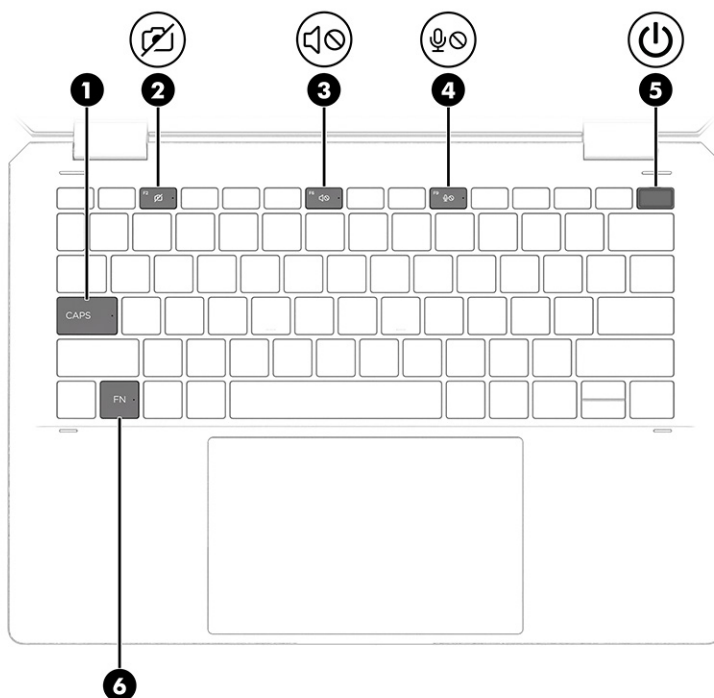


**Table 2-4** Touchpad components and their descriptions





| Component                 | Description  |
|---------------------------|--|
| (1) Touchpad              | Includes haptic technology that enables you to use the entire surface of the touchpad to read your finger gestures to move the pointer or activate items on the screen. Move your finger on the touchpad to move the mouse pointer. You also can tap anywhere on the surface of the touchpad with one finger to perform the left-click action and two fingers to perform the right-click action. |
| (2) Left touchpad button  | Functions like the left button on an external mouse.   |
| (3) Right touchpad button | Functions like the right button on an external mouse.  |

## Lights

Identify the lights on the computer.



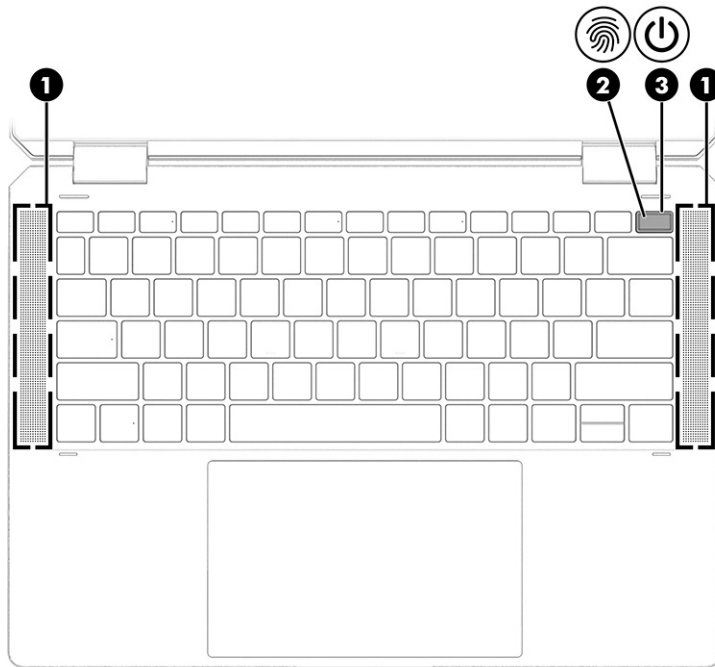
**Table 2-5** Lights and their descriptions

| Component   | Description  |
|---|--|
| (1) Caps lock light   | On: Caps lock is on, which switches the key input to all capital letters.  |
| (2)  Camera privacy light  | <ul style="list-style-type: none"> <li>On: The camera is off.</li> <li>Off: The camera is on.</li> </ul>   |
| (3)  Mute light            | <ul style="list-style-type: none"> <li>On: Computer sound is off.</li> <li>Off: Computer sound is on.</li> </ul>   |
| (4)  Microphone mute light | <ul style="list-style-type: none"> <li>On: Microphone is off.</li> <li>Off: Microphone is on.</li> </ul>   |
| (5)  Power light           | <ul style="list-style-type: none"> <li>On: The computer is on.</li> <li>Blinking (select products only): The computer is in the Sleep state, a power-saving state. The computer shuts off power to the display and other unnecessary components.</li> <li>Off: Depending on your computer model, the computer is off, in Hibernation, or in Sleep. Hibernation is the power-saving state that uses the least amount of power.</li> </ul> |
| (6) Fn lock light   | On: The <b>fn</b> key is locked.   |




## Buttons, speakers, and fingerprint reader

Identify the computer button, speakers, and fingerprint reader.



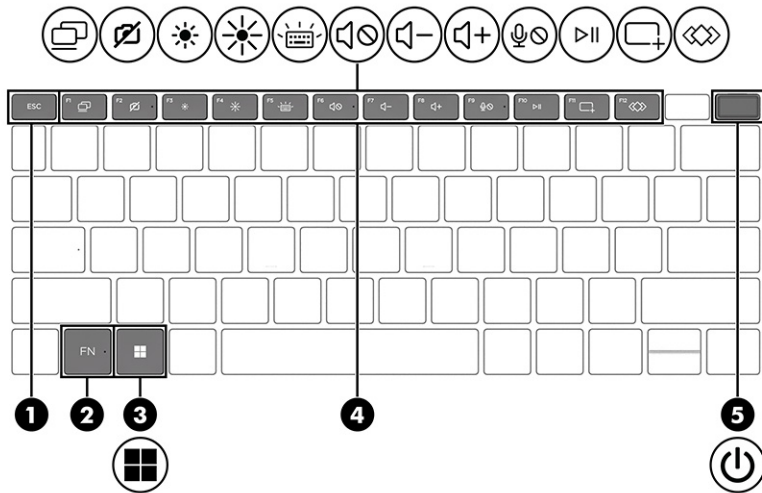


**Table 2-6** Button, speakers, and fingerprint reader and their descriptions





| Component  | Description  |
|--|--|
| (1) Speakers (2)   | Produce sound.   |
| (2)  Fingerprint reader | <p>Allows a fingerprint logon to Windows, instead of a password logon.</p> <ul style="list-style-type: none"> <li>Touch your finger to the fingerprint reader.</li> </ul> <p><b>IMPORTANT:</b> To prevent fingerprint logon issues, make sure when you register your fingerprint that all sides of your finger are registered by the fingerprint reader.</p>   |
| (3)  Power button       | <ul style="list-style-type: none"> <li>When the computer is off, press the button briefly to turn on the computer.</li> <li>When the computer is on, press the button briefly to initiate Sleep.</li> <li>When the computer is in the Sleep state, press the button briefly to exit Sleep (select products only).</li> <li>When the computer is in Hibernation, press the button briefly to exit Hibernation.</li> </ul> <p><b>IMPORTANT:</b> Pressing and holding down the power button results in the loss of unsaved information.</p> <p>If the computer has stopped responding and shutdown procedures are ineffective, press and hold the power button down for at least 10 seconds to turn off the computer.</p> <p>To learn more about your power and sleep settings:</p> <ul style="list-style-type: none"> <li>Right-click the <b>Power</b> icon , and then select <b>Power and sleep settings</b>.</li> </ul> |

## Special keys

Identify the special keys.



**Table 2-7** Special keys and their descriptions

| Component  | Description  |
|--|--|
| (1)  <b>esc</b> key | Displays system information when pressed in combination with the <b>fn</b> key.  |
| (2) <b>fn</b> key  | Executes specific functions when pressed in combination with another key.  |
| (3)  Windows key  | Opens the Start menu.<br><b>NOTE:</b> Pressing the Windows key again will close the Start menu.  |
| (4) Action keys  | Execute frequently used system functions as defined by the icon symbols on <b>f1</b> through <b>f12</b> function keys.   |
| (5)  Power button | <ul style="list-style-type: none"> <li>When the computer is off, press the button briefly to turn on the computer.</li> <li>When the computer is on, press the button briefly to initiate Sleep.</li> <li>When the computer is in the Sleep state, press the button briefly to exit Sleep (select products only).</li> <li>When the computer is in Hibernation, press the button briefly to exit Hibernation.</li> </ul> <p><b>IMPORTANT:</b> Pressing and holding down the power button results in the loss of unsaved information.</p> <p>If the computer has stopped responding and shutdown procedures are ineffective, press and hold the power button down for at least 10 seconds to turn off the computer.</p> <p>To learn more about your power and sleep settings:</p> <ul style="list-style-type: none"> <li>Right-click the <b>Power</b> icon , and then select <b>Power and sleep settings</b>.</li> </ul> |

# Rear

Identify the rear component.

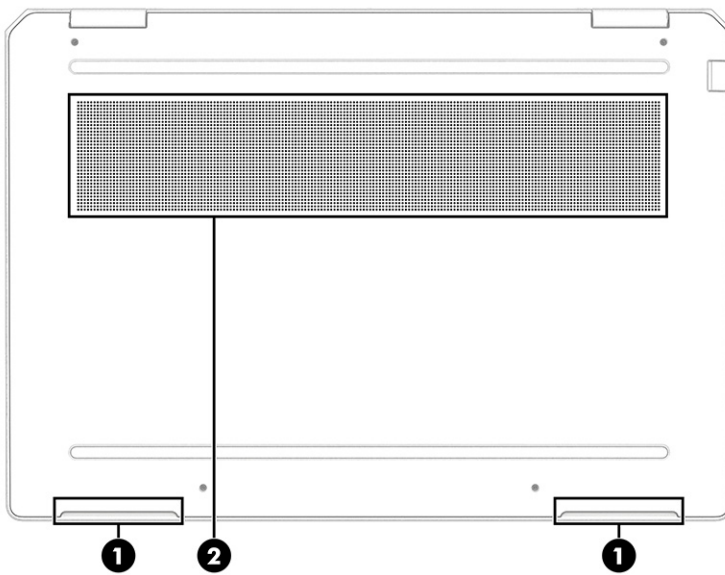


**Table 2-8** Rear component and its description

| Component | Description  |
|-----------|--|
| Vent      | Enables airflow to cool internal components.<br><br><b>NOTE:</b> The computer fan starts up automatically to cool internal components and prevent overheating. It is normal for the internal fan to cycle on and off during routine operation. |

# Bottom

Identify the bottom components.




**Table 2-9** Bottom components and their descriptions

| Component        | Description  |
|------------------|--|
| (1) Speakers (2) | Produce sound.   |
| (2) Vent         | Enables airflow to cool internal components.<br><br><b>NOTE:</b> The computer fan starts up automatically to cool internal components and prevent overheating. It is normal for the internal fan to cycle on and off during routine operation. |

# Labels

The labels affixed to the computer provide information that you might need when you troubleshoot system problems or travel internationally with the computer. Labels can be in paper form or imprinted on the product.

 **IMPORTANT:** Check the following locations for the labels described in this section: the bottom of the computer, inside the battery bay, under the service door, on the back of the display, or on the bottom of a tablet kickstand.

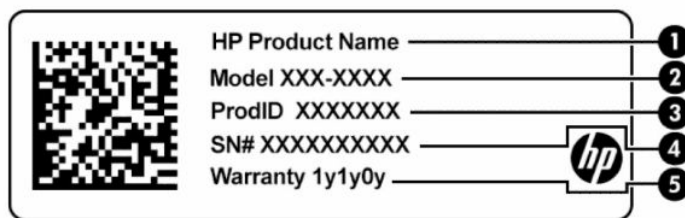
- Service label—Provides important information to identify your computer. When contacting support, you might be asked for the serial number, the product number, or the model number. Locate this information before you contact support.

Your service label will resemble one of the following examples. Refer to the illustration that most closely matches the service label on your computer.



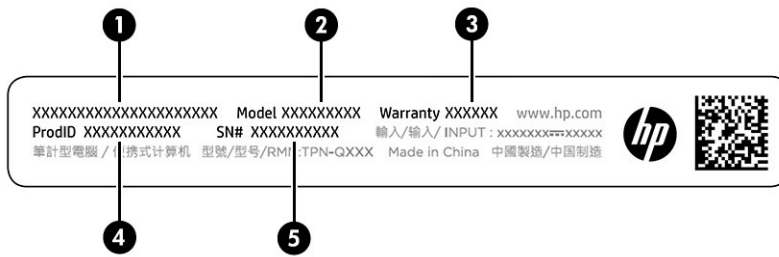
**Table 2-10** Service label components

| Component |                                  |
|-----------|----------------------------------|
| (1)       | Serial number                    |
| (2)       | Product ID                       |
| (3)       | HP product name and model number |



**Table 2-11** Service label components

| Component |                 |
|-----------|-----------------|
| (1)       | HP product name |
| (2)       | Model number    |
| (3)       | Product ID      |
| (4)       | Serial number   |
| (5)       | Warranty period |



**Table 2-12 Service label components**

| Component |                 |
|-----------|-----------------|
| (1)       | HP product name |
| (2)       | Model number    |
| (3)       | Warranty period |
| (4)       | Product ID      |
| (5)       | Serial number   |

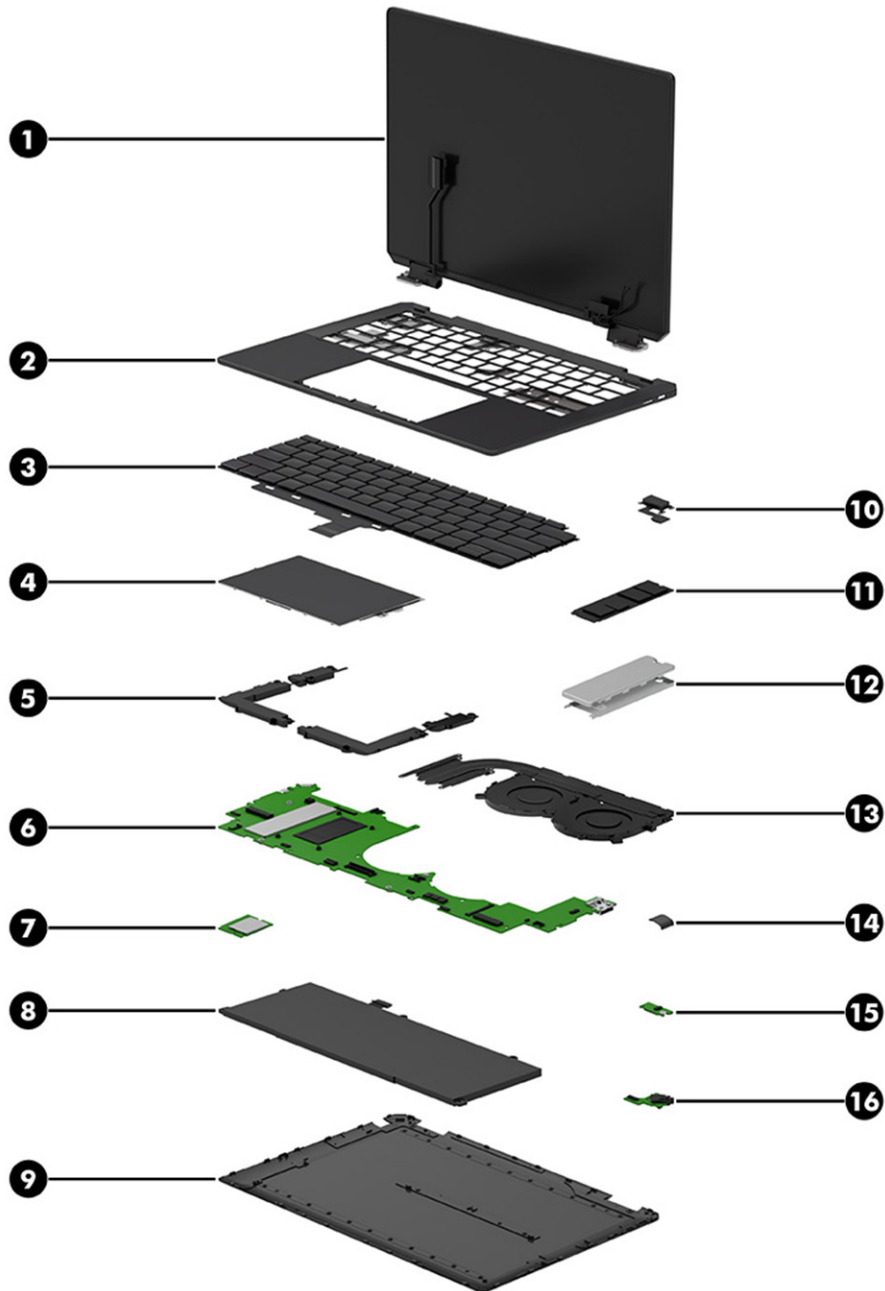
- Regulatory labels—Provide regulatory information about the computer.
- Wireless certification labels—Provide information about optional wireless devices and the approval markings for the countries or regions in which the devices have been approved for use.

# 3 Illustrated parts catalog

Use this chapter to determine the spare parts that are available for the computer.

## Computer major components

To identify the computer major components, use this illustration and table.



**Table 3-1 Computer major component descriptions and part numbers**

| Item | Component   | Spare part number             |
|------|---|-------------------------------|
| (1)  | <b>Display assembly</b><br><br><b>NOTE:</b> Display assemblies are offered as spare parts only at a subcomponent level. For more information, see <a href="#">Display assembly subcomponents on page 18</a> .       | not available as a spare part |
| (2)  | <b>Top cover</b>  |                               |
|      | Nightfall black   | N67777-001                    |
|      | Slate blue  | N67778-001                    |
|      | Sahara silver   | N67779-001                    |
|      | Nightfall black, for use in Japan   | N67776-001                    |
| (3)  | <b>Keyboard</b><br><br>For a detailed list of country codes, see <a href="#">Keyboard on page 62</a> .  |                               |
|      | Nightfall black   | N67806-xx1                    |
|      | Slate blue  | N67807-xx1                    |
|      | Sahara silver   | N67808-xx1                    |
| (4)  | <b>Touchpad</b> (does not include bracket)<br><br><b>NOTE:</b> The touchpad power cable is available using spare part number N67783-001. The touchpad signal cable is available using spare part number N67784-001. |                               |
|      | Nightfall black   | N67780-001                    |
|      | Slate blue  | N67781-001                    |
|      | Sahara silver   | N67782-001                    |
| (5)  | <b>Speakers</b> (left and right)  | N67785-001                    |
| (6)  | <b>System board</b> (includes processor; for use in models with the Windows operating system)   |                               |
|      | Intel Core Ultra 7 155H processor with 32 GB of integrated system memory  | N67765-601                    |
|      | Intel Core Ultra 7 155H processor with 16 GB of integrated system memory  | N67764-601                    |
|      | Intel Core Ultra 7 155H processor with 32 GB of integrated system memory (for use in the People's Republic of China)  | N76082-601                    |
|      | Intel Core Ultra 5 125H processor with 16 GB of integrated system memory  | N67763-601                    |
|      | Intel Core Ultra 5 125H processor with 16 GB of integrated system memory (for use in the People's Republic of China)  | N76081-601                    |
| (7)  | <b>WLAN module</b>  |                               |
|      | Intel AX211 Wi-Fi 6E Bluetooth 5.3 WLAN   | M53366-005                    |
|      | Intel Wi-Fi 7 BE200 + Bluetooth 5.4 (802.11be 2 × 2, 320 MHz)   | N39883-005                    |
| (8)  | <b>Battery</b> (4 cell, 68 Whr)   | N67767-001                    |
| (9)  | <b>Bottom cover</b>   |                               |
|      | Nightfall black   | N67772-001                    |
|      | Slate blue  | N67773-001                    |
|      | Sahara silver   | N67774-001                    |

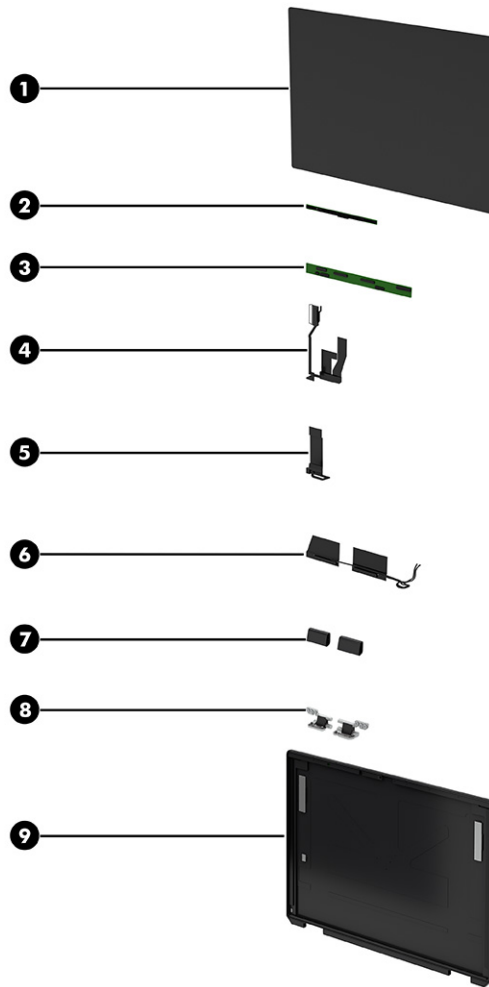
**Table 3-1 Computer major component descriptions and part numbers (continued)**

| Item        | Component   | Spare part number |
|-------------|---|-------------------|
| <b>(10)</b> | <b>Power button/fingerprint reader board</b>  |                   |
|             | The fingerprint reader board cable is available using spare part number N67789-001. |                   |
|             | Nightfall black   | N67786-001        |
|             | Slate blue  | N67787-001        |
|             | Sahara silver   | N67788-001        |
| <b>(11)</b> | <b>Solid-state drive (PCIe)</b>   |                   |
|             | 2 TB, TLC   | M52027-005        |
|             | 2 TB, TLC (only for use in China)   | N77396-005        |
|             | 1 TB, TLC   | M16560-005        |
|             | 1 TB, TLC (only for use in China)   | N77395-005        |
|             | 512 GB, TLC   | M17436-005        |
| <b>(12)</b> | <b>Solid-state drive cover</b>  | N67790-001        |
| <b>(13)</b> | <b>Heat sink with fan</b>   | N67775-001        |
| <b>(14)</b> | <b>USB door</b>   |                   |
|             | Nightfall black   | N67791-001        |
|             | Slate blue  | N67792-001        |
|             | Sahara silver   | N67793-001        |
| <b>(15)</b> | <b>IR sensor board</b>  | N67770-001        |
|             | The IR sensor board cable is available using spare part number N67771-001.          |                   |
| <b>(16)</b> | <b>Audio board</b>  | N67768-001        |
|             | <b>NOTE:</b> The audio board cable is available using spare part number N67769-001. |                   |

## Display assembly subcomponents

To identify the display assembly subcomponents, use this illustration and table.





**Table 3-2** Display component descriptions and part numbers

| Item | Component   | Spare part number |
|------|---|-------------------|
| (1)  | Display panel   |                   |
|      | <b>NOTE:</b> Panel adhesive is available as spare part number N67798-001. |                   |
|      | Nightfall black   | N67766-001        |
|      | Slate blue  | N70748-001        |
|      | Sahara silver   | N70749-001        |
| (2)  | Camera module (includes rubber pieces)                                    | N66386-001        |
| (3)  | Touch board   | N67799-001        |
| (4)  | Display panel cable   | N67800-001        |
| (5)  | Camera cable  | N67801-001        |
|      | Camera FPC cable  | N67802-001        |
| (6)  | Wireless antenna kit  | N67797-001        |

**Table 3-2** Display component descriptions and part numbers (continued)

| Item       | Component  | Spare part number |
|------------|--|-------------------|
| <b>(7)</b> | <b>Hinge covers</b> (left and right)                   |                   |
|            | Nightfall black  | N86532-001        |
|            | Slate blue   | N86533-001        |
|            | Sahara silver  | N86534-001        |
| <b>(8)</b> | <b>Hinges</b> (left and right)                         | N67803-001        |
| <b>(9)</b> | <b>Display back cover</b> (includes wireless antennas) |                   |
|            | Nightfall black  | N67794-001        |
|            | Slate blue   | N67795-001        |
|            | Sahara silver  | N67796-001        |

## Miscellaneous parts

To identify the miscellaneous parts, use this table.

**Table 3-3** Miscellaneous part descriptions and part numbers

| Component   | Spare part number |
|---|-------------------|
| <b>Slim AC adapter</b> (65 W, nPFC, USB-C)  | M54350-001        |
| <b>Screw Kit</b>  | N67804-001        |
| <b>Misc Parts Kit</b> (includes display panel absorber with foil and display foil with protective tape) | N67805-001        |
| <b>Pen</b>  | N54711-001        |
| <b>HP USB external DVD-RW drive</b>   | 747080-001        |
| <b>Display panel adhesive</b>   | N67798-001        |
| <b>HP USB-C®-to-USB 3.0 adapter</b>   | 814618-001        |
| <b>HP USB-C-to-VGA adapter</b>  | 831751-001        |
| <b>HP USB-C-to-USB-A hub</b>  | 916838-001        |
| <b>HP USB-C-to-HDMI 2.0 adapter</b>   | 935325-001        |
| <b>HP Elite USB-C Multiport Hub</b>   | L39572-001        |
| <b>Power adapter</b> (C5)   |                   |
| Japan   | L33157-001        |
| <b>Power cords</b> (C5, premium, 1.0 m [3.3 ft])  |                   |
| Argentina   | L42493-001        |
|   | N23030-001        |
| Australia   | L42486-001        |
| Denmark   | L42487-001        |
| Europe (Austria, Belgium, Finland, France, Germany, the Netherlands, Norway, and Sweden)                | L42488-001        |

**Table 3-3** Miscellaneous part descriptions and part numbers (continued)

| <b>Component</b>           | <b>Spare part number</b> |
|----------------------------|--------------------------|
| India                      | N23033-001               |
| Israel                     | L42489-001               |
| Italy                      | N23031-001               |
| Japan                      | L42490-001               |
| North America              | L42492-001               |
| People's Republic of China | N23032-001               |
| South Korea                | L42491-001               |
| Switzerland                | L42494-001               |
| Taiwan                     | L42496-001               |
| Thailand                   | L42495-001               |
| United Kingdom             | L42497-001               |

---

# 4 Removal and replacement procedures preliminary requirements

Use this information to properly prepare to disassemble and reassemble the computer.

## Tools required


You need the following tools to complete the removal and replacement procedures:

- Tweezers
- Nonconductive, nonmarking pry tool
- Magnetic Phillips P1 screwdriver

## Service considerations

The following sections include some of the considerations that you must keep in mind during disassembly and assembly procedures.

---

 **NOTE:** As you remove each subassembly from the computer, place the subassembly (and all accompanying screws) away from the work area to prevent damage.

---


## Plastic parts

Using excessive force during disassembly and reassembly can damage plastic parts.

## Cables and connectors

Handle cables with extreme care to avoid damage.

---

 **IMPORTANT:** When servicing the computer, be sure that cables are placed in their proper locations during the reassembly process. Improper cable placement can damage the computer.


---

Apply only the tension required to unseat or seat the cables during removal and insertion. Handle cables by the connector whenever possible. In all cases, avoid bending, twisting, or tearing cables. Be sure that cables are routed so that they cannot be caught or snagged as you remove or replace parts. Handle flex cables with extreme care; these cables tear easily.

## Drive handling

Note the following guidelines when handling drives.

---

 **IMPORTANT:** Drives are fragile components. Handle them with care. To prevent damage to the computer, damage to a drive, or loss of information, observe these precautions:

- Before removing or inserting a hard drive, shut down the computer. If you are unsure whether the computer is off or in Hibernation, turn the computer on, and then shut it down through the operating system.


- Before handling a drive, be sure that you are discharged of static electricity. While handling a drive, avoid touching the connector.
  - Before removing an optical drive, be sure that a disc is not in the drive, and be sure that the optical drive tray is closed.
  - Handle drives on surfaces covered with at least 2.54 cm (1 inch) of shock-proof foam.
  - Avoid dropping drives from any height onto any surface.
  - After removing a hard drive or an optical drive, place it in a static-proof bag.
  - Avoid exposing an internal hard drive to products that have magnetic fields, such as monitors or speakers.
  - Avoid exposing a drive to temperature extremes or liquids.
  - If a drive must be mailed, place the drive in a bubble pack mailer or other suitable form of protective packaging, and label the package "FRAGILE."
- 

## Electrostatic discharge information

A sudden discharge of static electricity from your finger or other conductor can destroy static-sensitive devices or microcircuitry. Often the spark is neither felt nor heard, but damage occurs. An electronic device exposed to electrostatic discharge (ESD) might not appear to be affected at all and can work perfectly throughout a normal cycle. The device might function normally for a while, but it has been degraded in the internal layers, reducing its life expectancy.

Networks built into many integrated circuits provide some protection, but in many cases, the discharge contains enough power to alter device parameters or melt silicon junctions.

---

 **IMPORTANT:** To prevent damage to the device when you remove or install internal components, observe these precautions:

- Keep components in their electrostatic-safe containers until you are ready to install them.
  - Before touching an electronic component, discharge static electricity by using the guidelines described in [Personal grounding methods and equipment on page 24](#).
  - Avoid touching pins, leads, and circuitry. Handle electronic components as little as possible.
  - If you remove a component, place it in an electrostatic-safe container.
- 

## Generating static electricity

Follow these static electricity guidelines:

- Different activities generate different amounts of static electricity.
- Static electricity increases as humidity decreases.

**Table 4-1 Static electricity occurrence based on activity and humidity**

| Event   | Relative humidity |          |          |
|---|-------------------|----------|----------|
|   | 55%               | 40%      | 10%      |
| Walking across carpet   | 7,500 V           | 15,000 V | 35,000 V |
| Walking across vinyl floor  | 3,000 V           | 5,000 V  | 12,000 V |
| Motions of bench worker   | 400 V             | 800 V    | 6,000 V  |
| Removing dual in-line packages (DIPs) from plastic tube   | 400 V             | 700 V    | 2,000 V  |
| Removing DIPs from vinyl tray   | 2,000 V           | 4,000 V  | 11,500 V |
| Removing DIPs from polystyrene foam   | 3,500 V           | 5,000 V  | 14,500 V |
| Removing bubble pack from PCB (printed circuit board)   | 7,000 V           | 20,000 V | 26,500 V |
| Packing PCBs in foam-lined box  | 5,000 V           | 11,000 V | 21,000 V |
| Multiple electric components can be packaged together in plastic tubes, trays, or polystyrene foam. |                   |          |          |



**NOTE:** As little as 700 V of static electricity can degrade a product.

## Preventing electrostatic damage to equipment

Many electronic components are sensitive to ESD. Circuitry design and structure determine the degree of sensitivity.

The following packaging and grounding precautions are necessary to prevent static electricity damage to electronic components:

- To avoid hand contact, transport products in static-safe containers such as tubes, bags, or boxes.
- Protect all electrostatic parts and assemblies with conductive or approved containers or packaging.
- Keep electrostatic-sensitive parts in their containers until they arrive at static-free stations.
- Place items on a grounded surface before removing them from their container.
- Always be properly grounded when touching a sensitive component or assembly.
- Avoid contact with pins, leads, or circuitry.
- Place reusable electrostatic-sensitive parts from assemblies in protective packaging or conductive foam.

## Personal grounding methods and equipment

Using certain equipment can prevent static electricity damage to electronic components.

- **Wrist straps** are flexible straps with a maximum of  $1\text{ M}\Omega \pm 10\%$  resistance in the ground cords. To provide proper ground, a strap must be worn snug against bare skin. The ground cord must be connected and fit snugly into the banana plug connector on the grounding mat or workstation.
- You can use **heel straps, toe straps, and boot straps** at standing workstations. These straps are compatible with most types of shoes or boots. On conductive floors or dissipative floor mats, use them on both feet with a maximum of  $1\text{ M}\Omega \pm 10\%$  resistance between the operator and ground.

**Table 4-2 Static shielding protection levels**

| Static shielding protection levels |         |
|------------------------------------|---------|
| Method                             | Voltage |
| Antistatic plastic                 | 1,500   |
| Carbon-loaded plastic              | 7,500   |
| Metallized laminate                | 15,000  |

## Grounding the work area

To prevent static damage at the work area, follow these precautions:

- Cover the work surface with approved static-dissipative material.
- Use a wrist strap connected to a properly grounded work surface and use properly grounded tools and equipment.
- Use static-dissipative mats, foot straps, or air ionizers to give added protection.
- Handle electrostatic sensitive components, parts, and assemblies by the case or PCB laminate. Handle them only at static-free work areas.
- Turn off power and input signals before inserting and removing connectors or test equipment.
- Use fixtures made of static-safe materials when fixtures must directly contact dissipative surfaces.
- Keep the work area free of nonconductive materials, such as ordinary plastic assembly aids and polystyrene foam.
- Use conductive field service tools, such as cutters, screwdrivers, and vacuums.
- Avoid contact with pins, leads, or circuitry.

## Recommended materials and equipment

HP recommends certain materials and equipment to prevent static electricity:

- Antistatic tape
- Antistatic smocks, aprons, or sleeve protectors
- Conductive bins and other assembly or soldering aids
- Conductive foam
- Conductive tabletop workstations with ground cord of  $1\text{ M}\Omega \pm 10\%$  resistance
- Static-dissipative table or floor mats with hard tie to ground
- Field service kits
- Static awareness labels
- Wrist straps and footwear straps providing  $1\text{ M}\Omega \pm 10\%$  resistance
- Material handling packages

- Conductive plastic bags
- Conductive plastic tubes
- Conductive tote boxes
- Opaque shielding bags
- Transparent metallized shielding bags
- Transparent shielding tubes

## Cleaning your computer

Cleaning your computer regularly removes dirt and debris so that your device continues to operate at its best. Use the following information to safely clean the external surfaces of your computer.

### Enabling HP Easy Clean (select products only)

HP Easy Clean helps you to avoid accidental input while you clean the computer surfaces. This software disables devices such as the keyboard, touch screen, and touchpad for a preset amount of time so that you can clean all computer surfaces.

1. Start HP Easy Clean in one of the following ways:
  - Select the **Start** menu, and then select **HP Easy Clean**.
  - or -
  - Select the **HP Easy Clean** icon in the taskbar.
  - or -
  - Select **Start**, and then select the **HP Easy Clean** tile.
2. Now that your device is disabled for a short period, see [Removing dirt and debris from your computer on page 26](#) for the recommended steps to clean the high-touch, external surfaces on your computer. After you remove the dirt and debris, you can also clean the surfaces with a disinfectant. See [Cleaning your computer with a disinfectant on page 27](#) for guidelines to help prevent the spread of harmful bacteria and viruses.

### Removing dirt and debris from your computer

Here are the recommended steps to clean dirt and debris from your computer.

For computers with wood veneer, see [Caring for wood veneer \(select products only\) on page 28](#).

1. Wear disposable gloves made of latex (or nitrile gloves, if you are latex-sensitive) when cleaning the surfaces.
2. Turn off your device and unplug the power cord and other connected external devices. Remove any installed batteries from items such as wireless keyboards.

---


**⚠ CAUTION:** To prevent electric shock or damage to components, never clean a product while it is turned on or plugged in.

---



3. Moisten a microfiber cloth with water. The cloth should be moist, but not dripping wet.


---

 **IMPORTANT:** To avoid damaging the surface, avoid abrasive cloths, towels, and paper towels.

---

4. Wipe the exterior of the product gently with the moistened cloth.

---

 **IMPORTANT:** Keep liquids away from the product. Avoid getting moisture in any openings. If liquid makes its way inside your HP product, it can cause damage to the product. Do not spray liquids directly on the product. Do not use aerosol sprays, solvents, abrasives, or cleaners containing hydrogen peroxide or bleach that might damage the finish.

---

5. Start with the display (if applicable). Wipe carefully in one direction, and move from the top of the display to the bottom. Finish with any flexible cables, like power cord, keyboard cable, and USB cables.
6. Be sure that surfaces have completely air-dried before turning the device on after cleaning.
7. Discard the gloves after each cleaning. Clean your hands immediately after you remove the gloves.

See [Cleaning your computer with a disinfectant on page 27](#) for recommended steps to clean the high-touch, external surfaces on your computer to help prevent the spread of harmful bacteria and viruses.

## Cleaning your computer with a disinfectant


The World Health Organization (WHO) recommends cleaning surfaces, followed by disinfection, as a best practice for preventing the spread of viral respiratory illnesses and harmful bacteria.

After cleaning the external surfaces of your computer using the steps in [Removing dirt and debris from your computer on page 26](#), [Caring for wood veneer \(select products only\) on page 28](#), or both, you might also choose to clean the surfaces with a disinfectant. A disinfectant that is within HP's cleaning guidelines is an alcohol solution consisting of 70% isopropyl alcohol and 30% water. This solution is also known as rubbing alcohol and is sold in most stores.

Follow these steps when disinfecting high-touch, external surfaces on your computer:

1. Wear disposable gloves made of latex (or nitrile gloves, if you are latex-sensitive) when cleaning the surfaces.
2. Turn off your device and unplug the power cord and other connected external devices. Remove any installed batteries from items such as wireless keyboards.


---

 **CAUTION:** To prevent electric shock or damage to components, never clean a product while it is turned on or plugged in.


---

3. Moisten a microfiber cloth with a mixture of 70% isopropyl alcohol and 30% water. The cloth should be moist, but not dripping wet.

---

 **CAUTION:** Do not use any of the following chemicals or any solutions that contain them, including spray-based surface cleaners: bleach, peroxides (including hydrogen peroxide), acetone, ammonia, ethyl alcohol, methylene chloride, or any petroleum-based materials, such as gasoline, paint thinner, benzene, or toluene.

---

 **IMPORTANT:** To avoid damaging the surface, avoid abrasive cloths, towels, and paper towels.

---

4. Wipe the exterior of the product gently with the moistened cloth.



**IMPORTANT:** Keep liquids away from the product. Avoid getting moisture in any openings. If liquid makes its way inside your HP product, it can cause damage to the product. Do not spray liquids directly on the product. Do not use aerosol sprays, solvents, abrasives, or cleaners containing hydrogen peroxide or bleach that might damage the finish.

5. Start with the display (if applicable). Wipe carefully in one direction, and move from the top of the display to the bottom. Finish with any flexible cables, like power cord, keyboard cable, and USB cables.
6. Be sure that surfaces have completely air-dried before turning the device on after cleaning.
7. Discard the gloves after each cleaning. Clean your hands immediately after you remove the gloves.

## Caring for wood veneer (select products only)

Your product might feature high-quality wood veneer. As with all natural wood products, proper care is important for best results over the life of the product. Because of the nature of natural wood, you might see unique variations in the grain pattern or subtle variations in color, which are normal.

- Clean the wood with a dry, static-free microfiber cloth or chamois.
- Avoid cleaning products containing substances such as ammonia, methylene chloride, acetone, turpentine, or other petroleum-based solvents.
- Do not expose the wood to sun or moisture for long periods of time.
- If the wood becomes wet, dry it by dabbing with an absorbent, lint-free cloth.
- Avoid contact with any substance that might dye or discolor the wood.
- Avoid contact with sharp objects or rough surfaces that might scratch the wood.

See [Removing dirt and debris from your computer on page 26](#) for the recommended steps to clean the high-touch, external surfaces on your computer. After you remove the dirt and debris, you can also clean the surfaces with a disinfectant. See [Cleaning your computer with a disinfectant on page 27](#) for sanitizing guidelines to help prevent the spread of harmful bacteria and viruses.

## Packaging and transporting guidelines

Follow these grounding guidelines when packaging and transporting equipment:


- To avoid hand contact, transport products in static-safe tubes, bags, or boxes.
- Protect ESD-sensitive parts and assemblies with conductive or approved containers or packaging.
- Keep ESD-sensitive parts in their containers until the parts arrive at static-free workstations.
- Place items on a grounded surface before removing items from their containers.
- Always be properly grounded when touching a component or assembly.
- Store reusable ESD-sensitive parts from assemblies in protective packaging or nonconductive foam.

- Use transporters and conveyors made of antistatic belts and roller bushings. Be sure that mechanized equipment used for moving materials is wired to ground and that proper materials are selected to avoid static charging. When grounding is not possible, use an ionizer to dissipate electric charges.

## Accessing support information

To find the HP support that you need, use this information.

**Table 4-3 Support information locations**


| Service consideration  | Path to access information   |
|--|--|
| Records of reported failure incidents stored on the computer | <p><b>Windows®:</b></p> <p>Preoperating system failures are logged in the BIOS Event Log. To view the BIOS Event Log:</p> <ol style="list-style-type: none"> <li>1. Press the power button.</li> <li>2. Immediately and repeatedly press <b>esc</b> when the power button light turns white.</li> </ol> <p><b>NOTE:</b> If you do not press <b>esc</b> at the appropriate time, you must restart the computer and again repeatedly press <b>esc</b> when the power button light turns white to access the utility.</p> <ol style="list-style-type: none"> <li>3. Press <b>f10</b> to enter the BIOS setup.</li> <li>4. (On commercial products) Under the <b>Main</b> tab, select <b>BIOS event log</b>, and then select <b>View BIOS Event Log</b>.</li> </ol> <p>- or -</p> <p>(On consumer products) Under the <b>Main</b> tab, select <b>System Log</b>.</p> <p>Post-operating system failures are logged in the Event Viewer.</p> <ol style="list-style-type: none"> <li>1. Turn on the computer and allow the operating system to open.</li> <li>2. Select the search icon  in the taskbar.</li> <li>3. Type <code>Event Viewer</code>, and then press <b>enter</b>.</li> <li>4. Select the log from the left panel. Details display in the right panel.</li> </ol> <p><b>Chrome™:</b></p> <ol style="list-style-type: none"> <li>1. Go to <a href="https://support.google.com/chrome">support.google.com/chrome</a>.</li> <li>2. Search <code>collect Chrome device logs</code>.</li> </ol> |
| Technical bulletins  | <p>To locate technical bulletins:</p> <ol style="list-style-type: none"> <li>1. Go to <a href="https://www.hp.com">www.hp.com</a>.</li> <li>2. Place the cursor over <b>Problem solving</b> to display more options.</li> <li>3. Select <b>Support &amp; Troubleshooting</b>.</li> <li>4. Type the serial number, product number, or product name to go to the product support page.</li> <li>5. Select <b>Advisories</b> to view technical bulletins.</li> </ol>  |


**Table 4-3 Support information locations (continued)**

| Service consideration   | Path to access information   |
|---|--|
| Repair professionals  | To locate repair professionals:<br><ol style="list-style-type: none"><li data-bbox="679 310 906 338">1. Go to <a href="http://www.hp.com">www.hp.com</a>.</li><li data-bbox="679 359 1337 386">2. Place the cursor over <b>Support resources</b> to display more options.</li><li data-bbox="679 407 1066 434">3. Select <b>Authorized service providers</b>.</li></ol>  |
| Component and diagnosis information, failure detection, and required action | To locate diagnosis information and actions:<br><ol style="list-style-type: none"><li data-bbox="679 506 1177 533">1. Go to <a href="http://www.hp.com/go/techcenter/pcdiags">http://www.hp.com/go/techcenter/pcdiags</a>.</li><li data-bbox="679 554 911 581">2. Select <b>Get Support</b>.</li><li data-bbox="679 602 1422 653">3. Near the bottom of the window, select <b>Notebook PCs</b>, and then select your location.</li></ol> |

# 5 Removal and replacement procedures for authorized service provider parts


This chapter provides removal and replacement procedures for authorized service provider parts.

 **IMPORTANT:** Only an authorized service provider should access the components described in this chapter. Accessing these parts can damage the computer or void the warranty.

 **NOTE:** Details about your computer, including model, serial number, product key, and length of warranty, are on the service tag at the bottom of your computer.

## Component replacement procedures

To remove and replace computer components, use the procedures described in this section.

 **NOTE:** HP continually improves and changes product parts. For complete and current information about supported parts for your computer, go to <https://partsurfer.hp.com/partsurfer/>, select your country or region, and then follow the on-screen instructions.

Make special note of each screw size and location during removal and replacement.

## Preparation for disassembly

To remove and replace computer components, use these procedures:

For initial safety procedures, see [Removal and replacement procedures preliminary requirements on page 22](#).

1. Turn off the computer. If you are unsure whether the computer is off or in Hibernation, turn the computer on, and then shut it down through the operating system.
2. Disconnect the power from the computer by unplugging the power cord from the computer.
3. Disconnect all external devices from the computer.

## Bottom cover

To remove the bottom cover, use this procedure and illustration.

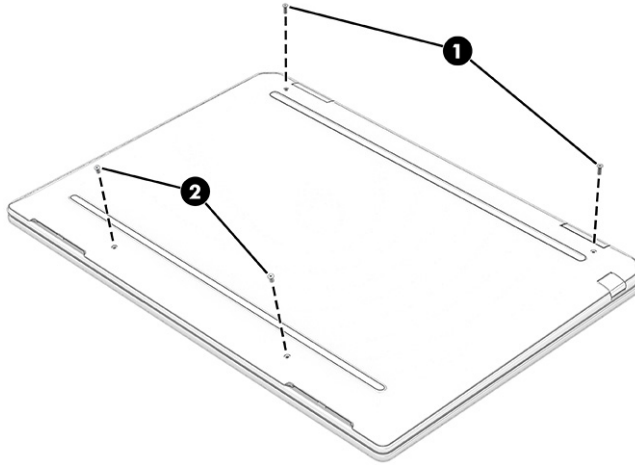
**Table 5-1** Bottom cover description and part number

| Description                   | Spare part number |
|-------------------------------|-------------------|
| Bottom cover, nightfall black | N67772-001        |
| Bottom cover, slate blue      | N67773-001        |
| Bottom cover, Sahara silver   | N67774-001        |

Before removing the bottom cover, prepare the computer for disassembly (see [Preparation for disassembly on page 31](#)).

Remove the bottom cover:

1. Remove the two Phillips M2.0 × 7.0 screws **(1)** from the bottom cover.
2. Remove the two Phillips M2.0 × 4.0 screws **(2)** from the bottom cover.



3. Press on the sides of the touchpad near the keyboard **(1)** as shown in the following illustration until the bottom cover releases from the computer **(2)**.



4. Lift up on the back of the bottom cover to remove it from the computer.



To install the bottom cover, reverse the removal procedures.

## Battery

To remove the battery, use this procedure and illustration.

**Table 5-2 Battery description and part number**

| Description    | Spare part number |
|----------------|-------------------|
| 4 cell, 68 Whr | N67767-001        |


**⚠ WARNING!** To avoid personal injury and damage to the product:

- Do *not* puncture, twist, or crack the battery.
- Do *not* cause an external puncture or rupture to the battery. They can cause a short inside the battery, which can result in battery thermal runaway.
- Do *not* handle or touch the battery enclosure with sharp objects such as tweezers or pliers, which might puncture the battery.
- Do *not* compress or squeeze the battery case with tools or heavy objects stacked on top of the case. These actions can apply undue force on the battery.
- Do *not* touch the connectors with any metallic surface or object, such as metal tools, screws, or coins, which can cause shorting across the connectors.

Before removing the battery, follow these steps:

1. Prepare the computer for disassembly (see [Preparation for disassembly on page 31](#)).
2. Remove the bottom cover (see [Bottom cover on page 31](#)).

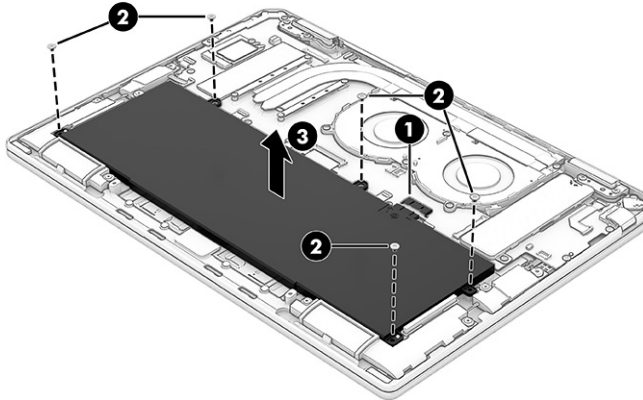
**⚠ WARNING!** To reduce potential safety issues, use only the user-replaceable battery provided with the computer, a replacement battery provided by HP, or a compatible battery purchased from HP.

 **IMPORTANT:** Removing a battery that is the sole power source for the computer can cause loss of information. To prevent loss of information, save your work or shut down the computer through Windows before you remove the battery.

---

Remove the battery:

1. Disconnect the battery cable (1) from the system board.
2. Remove the five Phillips M2.0 × 3.5 screws (2) that secure the battery to the computer.
3. Remove the battery from the computer (3).



To install the battery, reverse the removal procedures.

## Display subcomponents (without removing the display)


You can remove some display subcomponents without removing the entire display assembly from the computer. To remove the display panel, camera module, and touch board, use these procedures and illustrations.

To remove display subcomponents that require that you remove the display from the computer, see [Display assembly on page 41](#).

Before removing the display subcomponents, follow these steps:

1. Prepare the computer for disassembly (see [Preparation for disassembly on page 31](#)).
2. Remove the bottom cover (see [Bottom cover on page 31](#)).
3. Disconnect the battery cable from the system board (see [Battery on page 33](#)).

Remove the display assembly subcomponents:

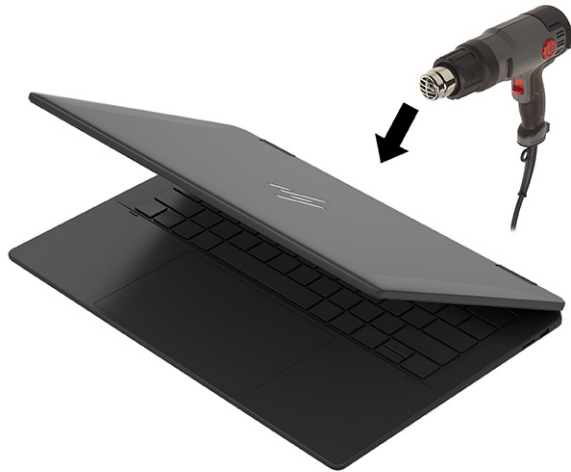
 **NOTE:** The display assembly can remain attached to the computer for these procedures.

---

1. To remove the display panel:



- a. Use a heating device to heat the display rear cover to loosen the panel adhesive.

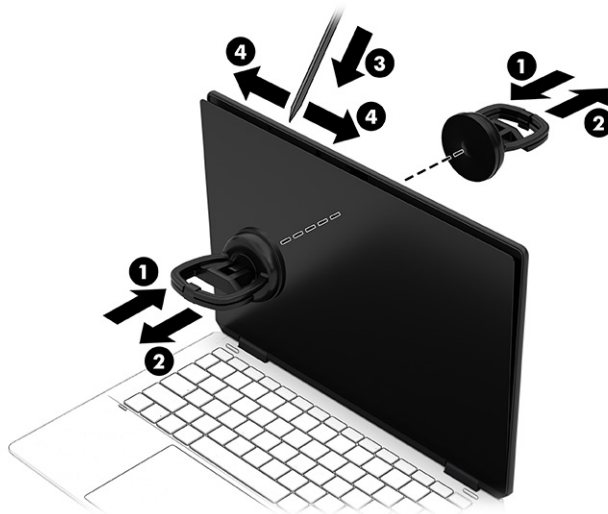


- b. Attach suction cups (1) to the top, middle of the display.



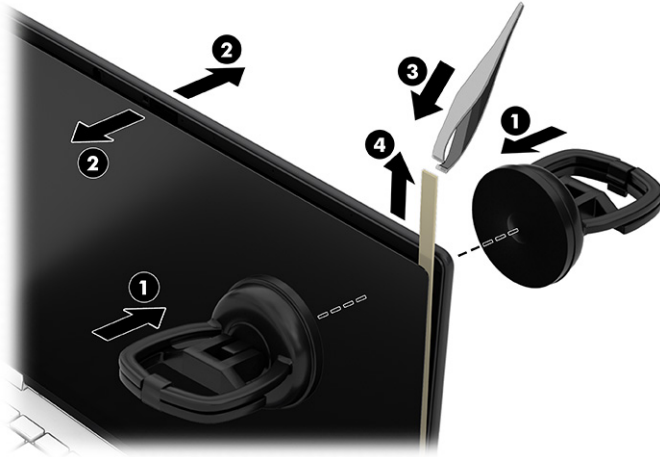
**NOTE:** Be sure not to place the suction cup over the camera module.

- c. Pull the tools apart (2) to create a gap between the panel and display rear cover.
- d. Insert a pry tool (3) into the gap, and then slide to tool back and forth (4) along the entire length of the top of the display to release the panel.

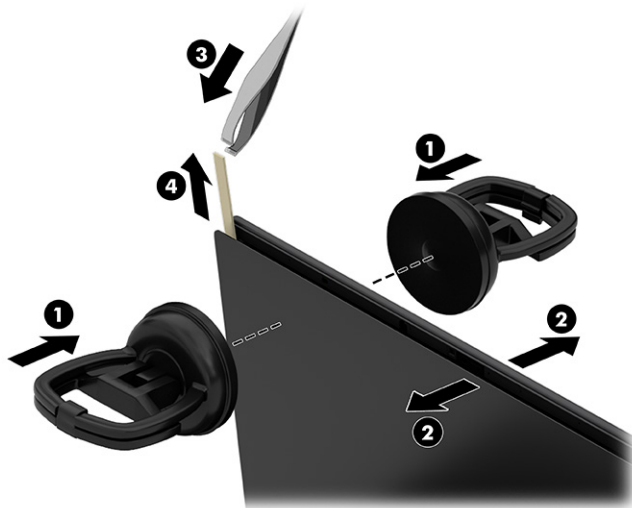


- e. Attach suction cups (1) to the top, right of the display.
- f. Pull the tools apart to create a gap (2) between the panel and display rear cover.

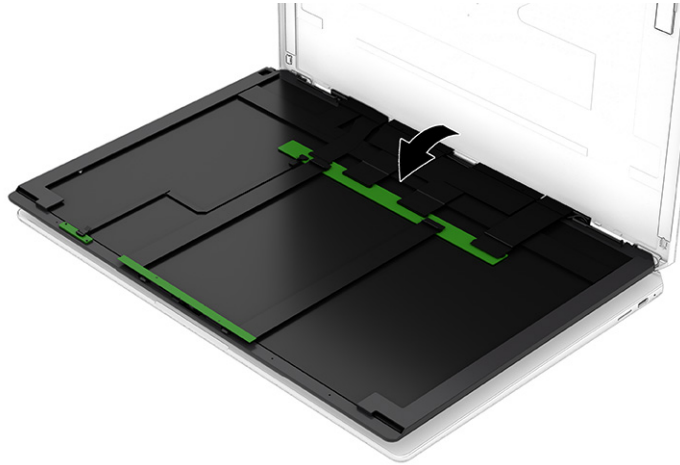
- g. Use tweezers (3) to pull the tape (4) out from behind the right side of the display panel.



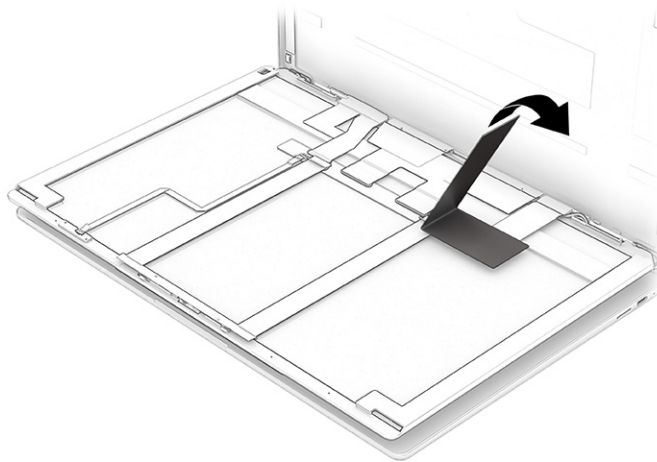
- h. Attach suction cups (1) to the top, left of the display.
- i. Pull the tools apart to create a gap (2) between the panel and display rear cover.
- j. Use tweezers (3) to pull the tape (4) out from behind the left side of the display panel.



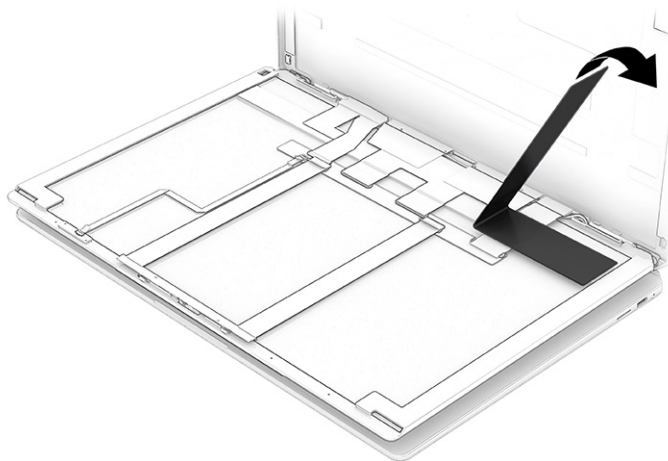
- k. Rotate the panel over onto the keyboard.



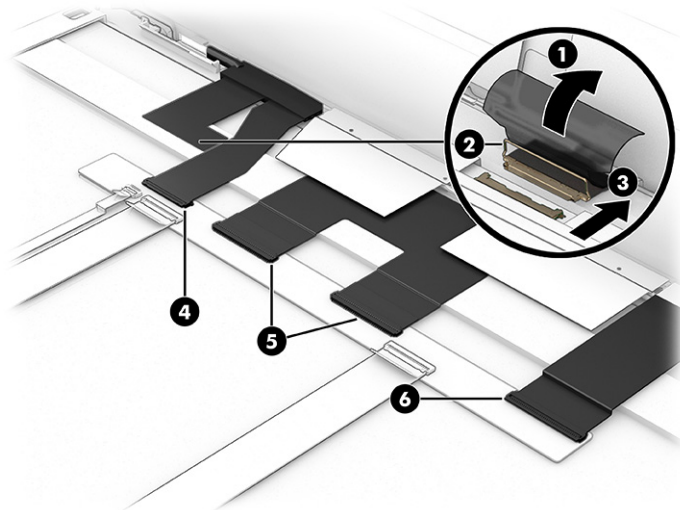
- l. Peel the foil off the touch board on the bottom of the display panel.



- m. Peel the tape off the display panel.



- n. Lift the conductive tape **(1)** off the LVDS connector on the bottom of the panel.
- o. Lift the locking bar **(2)** off the connector
- p. Disconnect the cable **(3)**.
- q. Disconnect the right LVDS cable **(4)** from the ZIF connector on the touch board.
- r. Disconnect the two DBTS cables **(5)** from the ZIF connector on the touch board.
- s. Disconnect the camera cable **(6)** from the ZIF connector on the touch board.



Display panels are available as spare part numbers:

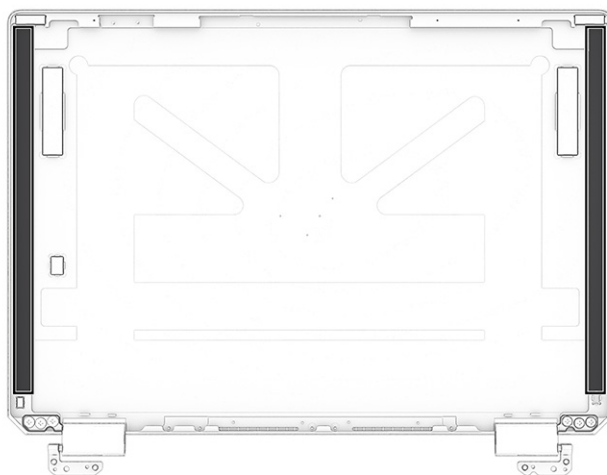
N67766-001: Nightfall black

N70748-001: Slate blue

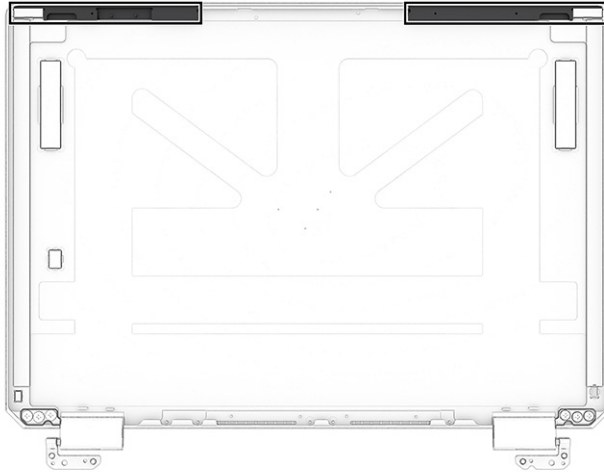
N70749-001: Sahara silver

Display foil and tape are available in the Misc Parts Kit as spare part number N67805-001.

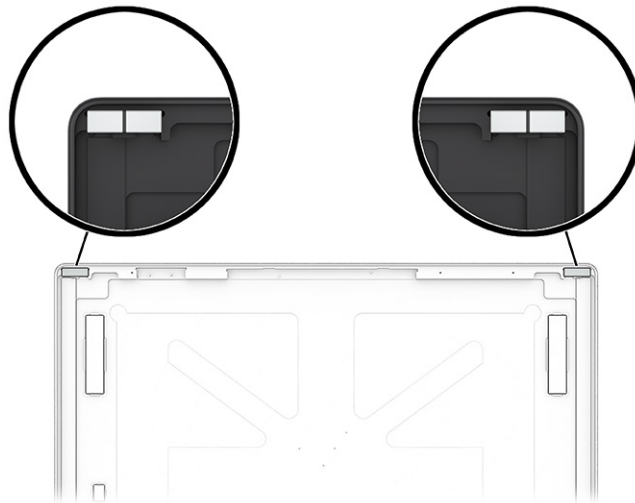
- t. When installing a display panel, use the following illustration to determine tape installation locations on the inside of the display rear cover.



- u. If you are reinstalling the existing panel, thoroughly clean and repaste the VHB adhesive (not tape) on the top of the panel.



- v. When installing a display panel, be sure that magnets are installed in the upper corners of the display rear cover with the black lines on the magnets facing outward.



2. To remove the camera module:

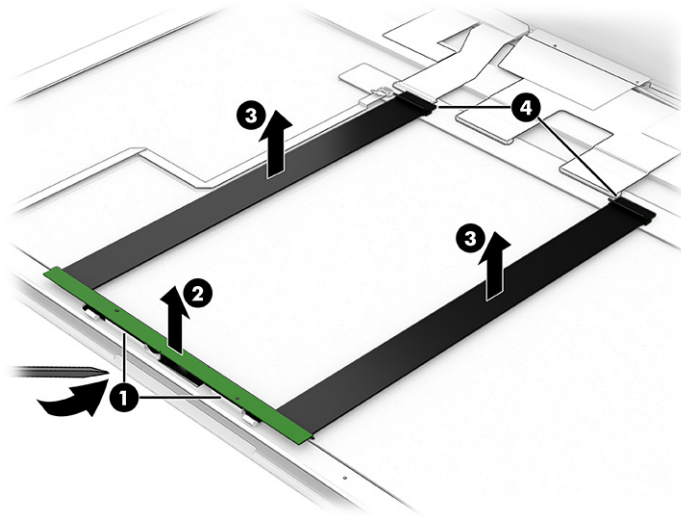
- a. Insert a thin pry tool into two gaps **(1)** on the camera module, and then lift the tool to release the module **(2)**.



**NOTE:** To avoid damaging the camera module, be sure to use a thin pry tool.

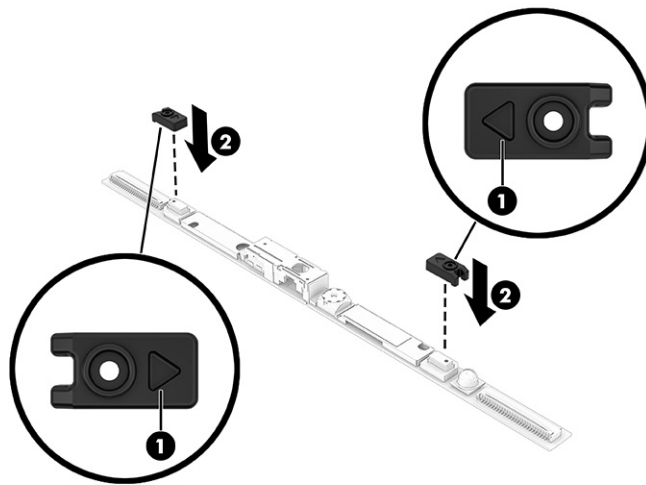
- b. Peel the two camera cables **(3)** off the panel.

- c. Disconnect the cables (4) from the touch board.



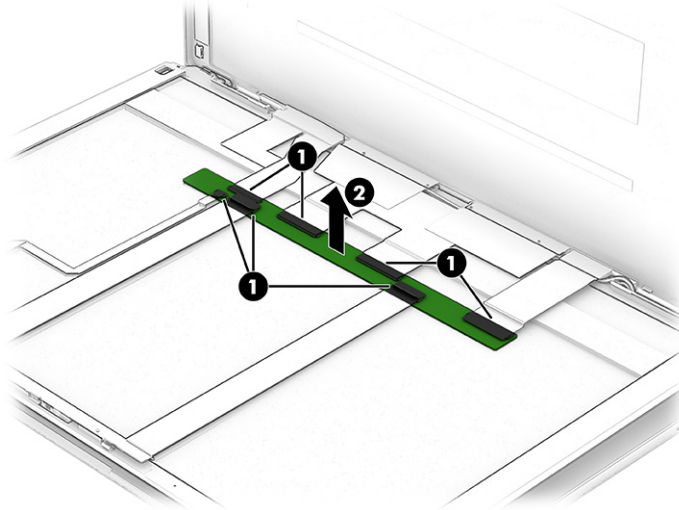
The camera module is available as spare part number N66386-001.

- d. When installing a camera module, position the rubber pieces with the arrows (1) pointing at each other, and then place the rubber pieces (2) onto the module in the locations shown in the following illustration.



- 3. To remove the touch board:

- a. Disconnect the cables from the ZIF connectors (1) on the board, and then pry up to release the board (2).



The touch board is available as spare part number N67799-001.


- b. When installing a touch board, make sure tape installed at the locations as shown in the following illustration.



To install the display components with the display attached to the computer, reverse these procedures.

## Display assembly

To remove and disassemble the display assembly, use these procedures and illustrations.

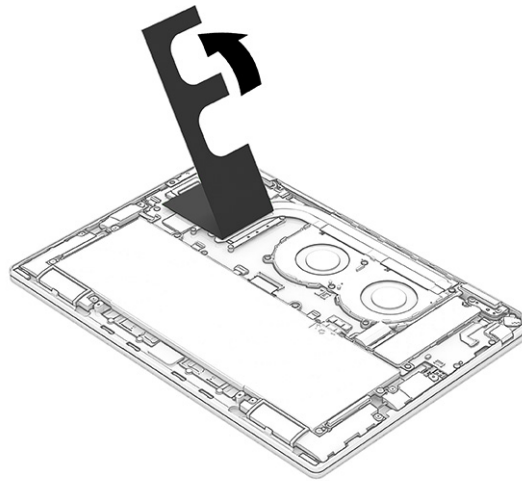
 **NOTE:** The display assembly is only available as spare parts at the subcomponent level. For display assembly spare part information, see the individual removal subsections.

Before removing the display panel, follow these steps:

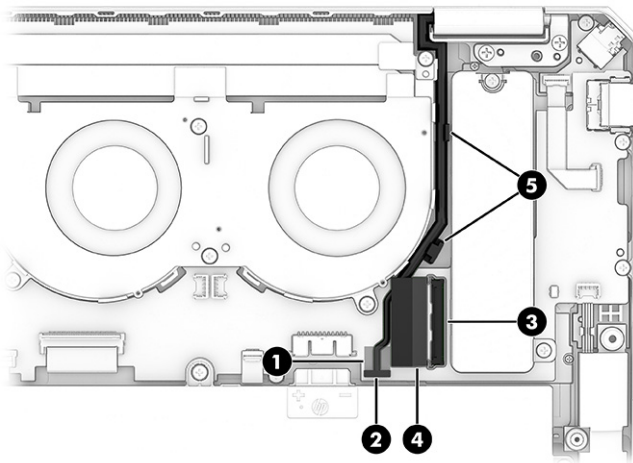
1. Prepare the computer for disassembly (see [Preparation for disassembly on page 31](#)).
2. Remove the bottom cover (see [Bottom cover on page 31](#)).
3. Disconnect the battery cable from the system board (see [Battery on page 33](#)).

Remove the display assembly:

1. Peel the large protective barrier off the system board and fans



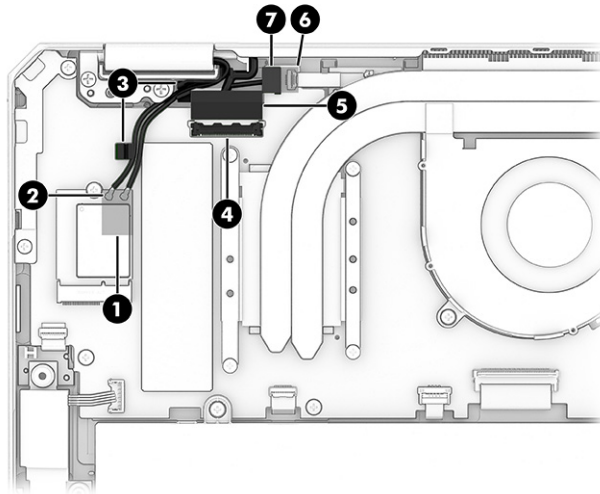
2. Lift the tape (1) from the smaller side of the display cable, and then disconnect smaller cable (2) from system board.
3. Lift the locking bar (3) of the larger side of the display cable, and then disconnect the larger cable (4) from the system board.
4. Remove the cable from the clips (5) in the computer.



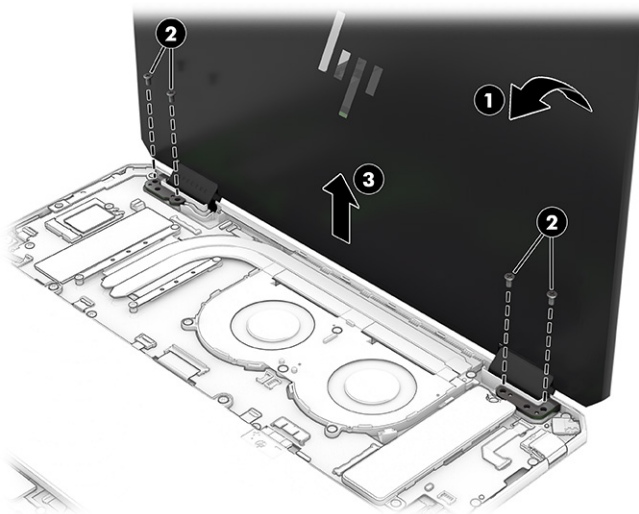
5. Remove the clear tape (1) from antenna connectors on the WLAN module.
6. Disconnect the antenna cables (2) from antenna connectors on the WLAN module.
7. Remove the antenna cables from the clips (3) in the computer.
8. Lift the locking bar (4) of the larger side of the camera cable, and then disconnect the larger cable (5) from the system board.



- Lift the tape (6) from the smaller side of the camera cable, and then disconnect smaller cable (7) from system board.

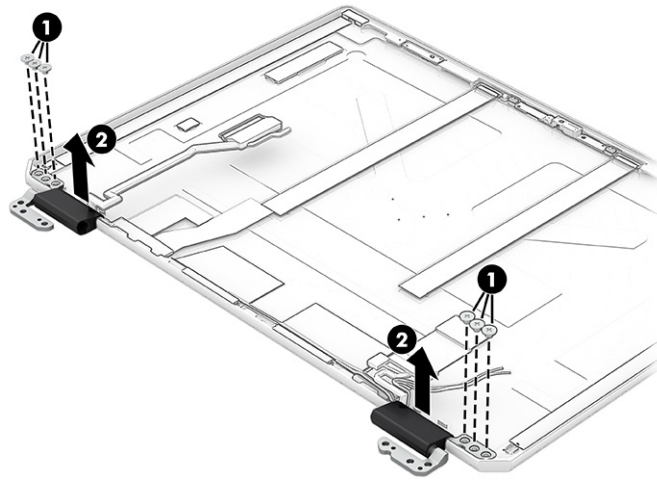


- Open the display (1) to 270°.
- Remove the four Phillips M2.5 × 5.0 screws (2) that secure the display assembly to the computer.
- Separate the display (3) from the computer.

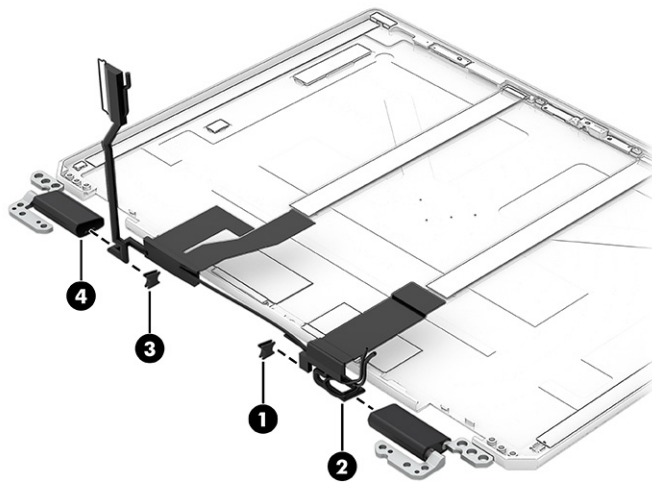


- To remove the display panel, camera module, and touch board, see [Display subcomponents \(without removing the display\) on page 34](#).
- To remove the hinges from the display rear cover:
  - Remove the three Phillips M2.0 × 2.0 broadhead screws (1) from each hinge.

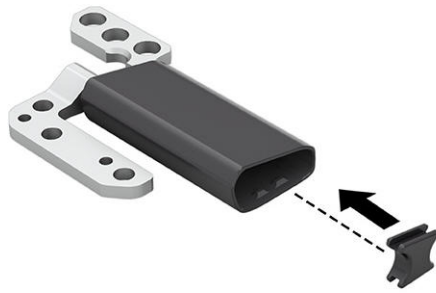
- b. Remove the hinges (2) from the display back cover.



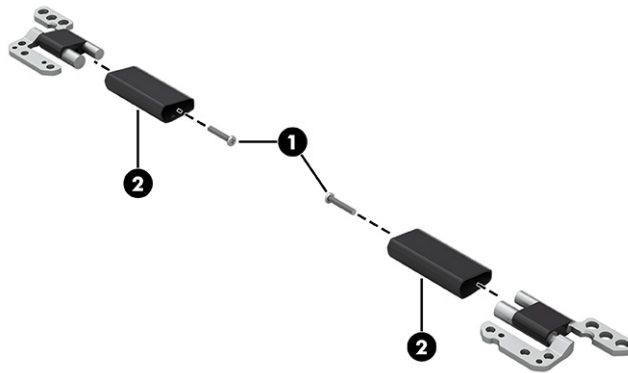
- c. Remove the rubber piece (1) from the right hinge cover.
- d. Remove the antenna cables and camera cable (2) from the right hinge.
- e. Remove the rubber piece (3) from the left hinge cover.
- f. Remove the display cable (4) from the left hinge.



- g. When reassembling the display hinges, be sure to insert the rubber pieces into the hinges after the cables.



- h. Remove one screw (1) from each hinge cover, and then pull the covers off the hinges (2).



Hinge covers are available as spare part numbers:

N86532-001: Nightfall black

N86533-001: Slate blue

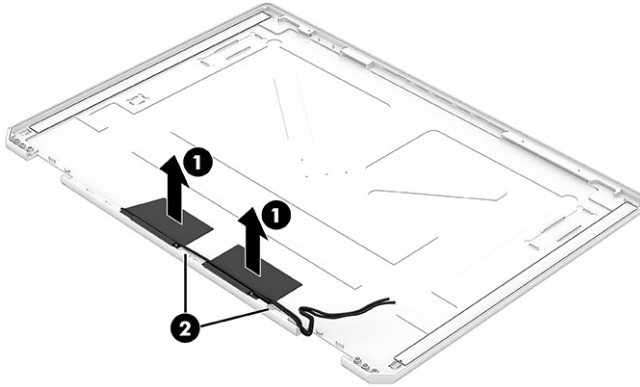
N86534-001: Sahara silver

- i. When installing the display hinge covers, note the left (L) and right (R) labels on each hinge to be sure to install the covers in the correct locations.



The display hinges are available as spare part number N67803-001.

15. Peel the wireless antennas **(1)** off the display back cover, and then release the wireless antenna cables from the retention clips **(2)** built into the display back cover.



The wireless cables and antennas are available as spare part number N67797-001. The wireless cables and antennas are also included in the display rear cover spare part kit.

To reassemble and replace the display assembly, reverse these procedures.

## Speakers

To remove the speakers, use this procedure and illustration.

**Table 5-3** Speaker description and part number

| Description               | Spare part number |
|---------------------------|-------------------|
| Speakers (left and right) | N67785-001        |

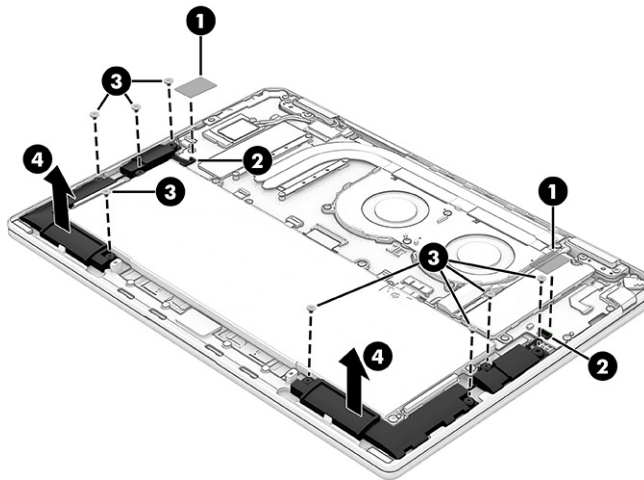
Before removing the speakers, follow these steps:

1. Prepare the computer for disassembly (see [Preparation for disassembly on page 31](#)).
2. Remove the bottom cover (see [Bottom cover on page 31](#)).
3. Disconnect the battery cable from the system board (see [Battery on page 33](#)).

Remove the speakers:

1. Remove the clear plastic covers **(1)** from both speaker connectors on the system board.
2. Disconnect both speaker cables **(2)** from the system board.
3. Remove the four Phillips M1.6 × 3.0 screws **(3)** that secure each speaker.

4. Remove the speakers from the computer (4).




To install the speakers, reverse this procedure.

## WLAN module

To remove the WLAN module, use this procedure and illustration.

**Table 5-4 WLAN module descriptions and part numbers**

| Description   | Spare part number |
|---|-------------------|
| Intel AX211 Wi-Fi 6E Bluetooth 5.3 WLAN                       | M53366-005        |
| Intel Wi-Fi 7 BE200 + Bluetooth 5.4 (802.11be 2 × 2, 320 MHz) | N39883-005        |

 **IMPORTANT:** To prevent an unresponsive system, replace the wireless module only with a wireless module authorized for use in the computer by the governmental agency that regulates wireless devices in your country or region. If you replace the module and then receive a warning message, remove the module to restore device functionality, and then contact technical support.


Before removing the WLAN module, follow these steps:

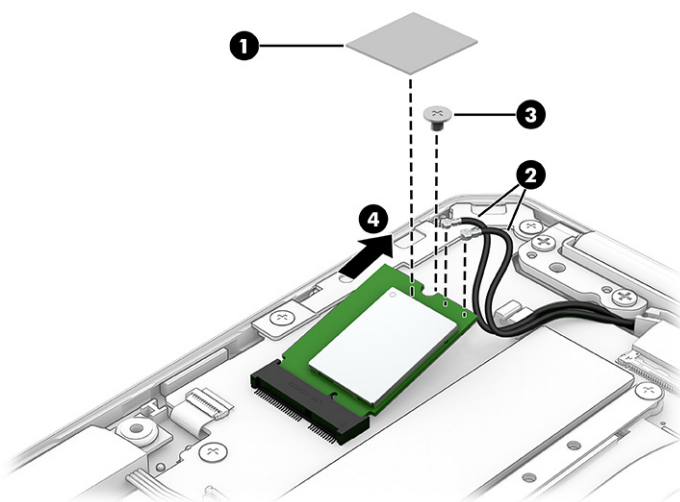
1. Prepare the computer for disassembly (see [Preparation for disassembly on page 31](#)).
2. Remove the bottom cover (see [Bottom cover on page 31](#)).
3. Disconnect the battery cable from the system board (see [Battery on page 33](#)).

Remove the WLAN module:

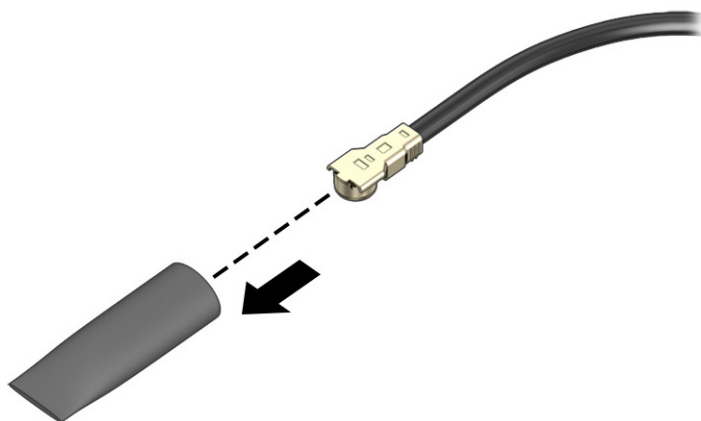
1. Remove the antenna protector (1) from the module.
2. Carefully disconnect the antenna cables (2) from the module.
3. Remove the Phillips M2.0 × 2.5 screw (3).

4. Pull the WLAN module (4) out of the connector.

 **NOTE:** When connecting the antenna cables, be sure to match the number or letter on the cable with the appropriate connector on the module.



5. If the WLAN antenna is not connected to the terminal on the WLAN module, you must install a protective sleeve on the antenna connector, as shown in the following illustration.



To install a WLAN module, reverse this procedure.

## Solid-state drive

To remove the solid-state drive, use this procedure and illustration.

**Table 5-5 Solid-state drive descriptions and part numbers**

| Description                       | Spare part number |
|-----------------------------------|-------------------|
| 2 TB, TLC                         | M52027-005        |
| 2 TB, TLC (only for use in China) | N77396-005        |
| 1 TB, TLC                         | M16560-005        |
| 1 TB, TLC (only for use in China) | N77395-005        |

**Table 5-5** Solid-state drive descriptions and part numbers (continued)

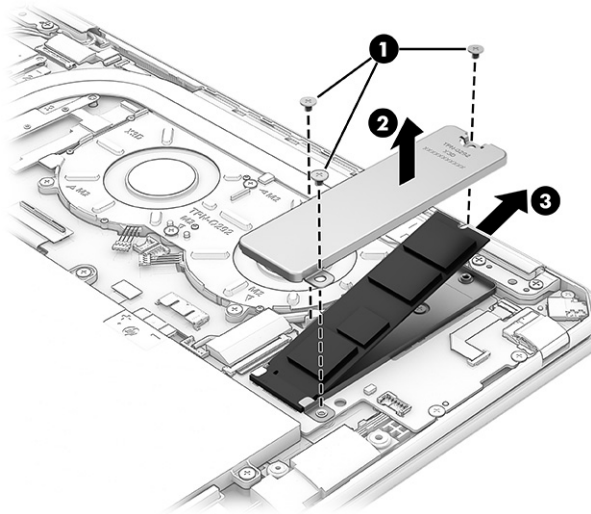
| Description                              | Spare part number |
|--|-------------------|
| 512 GB, TLC                              | M17436-005        |
| Solid-state drive cover with thermal pad | N67790-001        |

Before removing the solid-state drive, follow these steps:

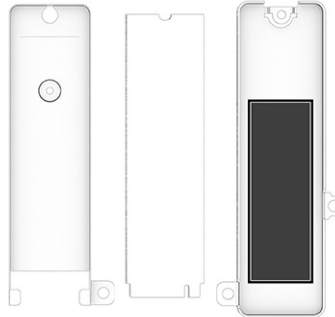
1. Prepare the computer for disassembly (see [Preparation for disassembly on page 31](#)).
2. Remove the bottom cover (see [Bottom cover on page 31](#)).
3. Disconnect the battery cable from the system board (see [Battery on page 33](#)).

Remove the solid-state drive:

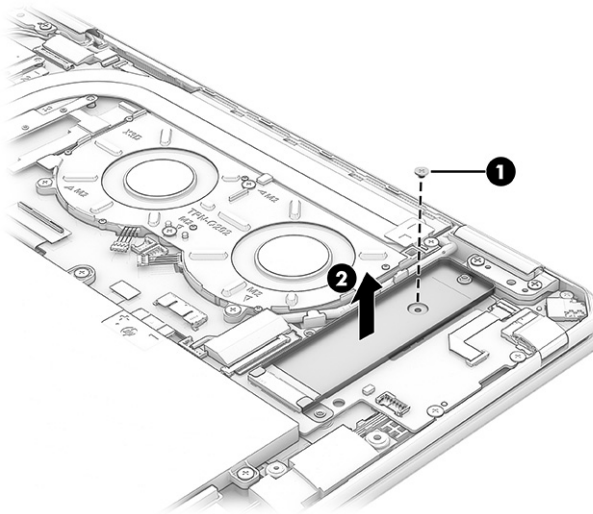
1. Remove the three Phillips M2.0 × 2.5 screws **(1)** that secure the solid-state drive cover.
2. Lift the cover **(2)** off the drive.
3. Pull the drive out of the socket **(3)**.




- When installing a solid-state drive, be sure a thermal pad is installed on the bottom of the solid-state drive cover.



- You must remove the bottom solid-state drive bracket to remove the system board. To remove the bracket, remove the Phillips M1.6 × 2.0 screw (1), and then remove the bracket (2).



To install the solid-state drive, reverse the removal procedures.

 **NOTE:** Solid-state drives are designed with a notch to prevent incorrect insertion.

## Heat sink and fan assembly

To remove the heat sink and fan assembly, use these procedures and illustrations.

**Table 5-6 Heat sink and fan assembly descriptions and part numbers**

| Description                | Spare part number |
|----------------------------|-------------------|
| Heat sink and fan assembly | N67775-001        |



Before removing the heat sink and fan assembly, follow these steps:

1. Prepare the computer for disassembly (see [Preparation for disassembly on page 31](#)).
2. Remove the bottom cover (see [Bottom cover on page 31](#)).
3. Disconnect the battery cable from the system board (see [Battery on page 33](#)).

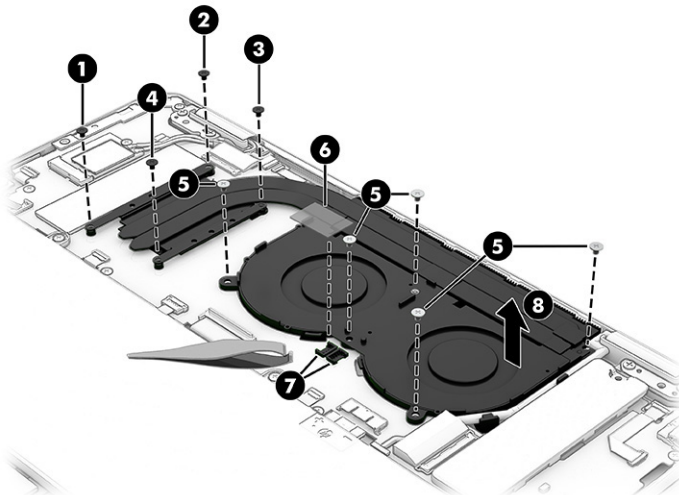
Remove the heat sink and fan assembly:

1. Remove the Phillips 2.0 × 3.5 screws **(1) - (4)** as shown in the following illustration.



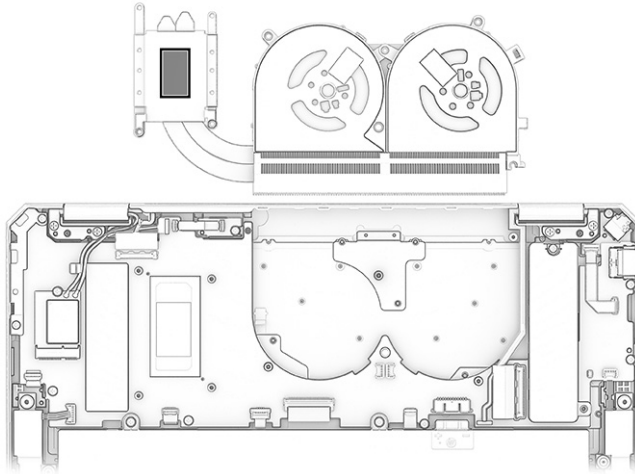
**NOTE:** The heat sink has numbers next to the screws that indicate installation order. When removing the heat sink, remove the screws in reverse (4) - (1) order from what is shown on the heat sink. When installing a heat sink, install the screws in the order shown on the heat sink.

2. Remove the Phillips 2.0 × 3.5 screws **(5)** from the fan.
3. Remove the protective tape **(6)** from both fan system board connectors.
4. Use tweezers **(7)** to carefully disconnect the fan cables from the system board.
5. Remove the heat and fan assembly **(8)**.



6. Thoroughly clean the thermal paste from the surfaces of the heat sink and the system board components each time the heat sink is removed. Replacement thermal material is included with the heat sink and system board spare part kits.

Gray thermal grease is used on the heat sink.



To install the heat sink and fan assembly, reverse this procedure.

## Touchpad

To remove the touchpad, use this procedure and illustration.

**Table 5-7 Touchpad description and part number**

| Description               | Spare part number |
|---------------------------|-------------------|
| Touchpad, nightfall black | N67780-001        |
| Touchpad, slate blue      | N67781-001        |
| Touchpad, Sahara silver   | N67782-001        |
| Touchpad power cable      | N67783-001        |
| Touchpad signal cable     | N67784-001        |

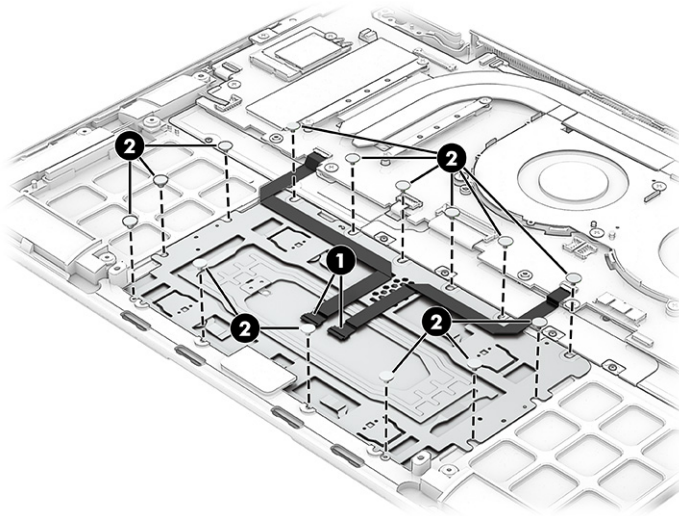
Before removing the touchpad, follow these steps:

1. Prepare the computer for disassembly (see [Preparation for disassembly on page 31](#)).
2. Remove the bottom cover (see [Bottom cover on page 31](#)).
3. Remove the battery (see [Battery on page 33](#)).

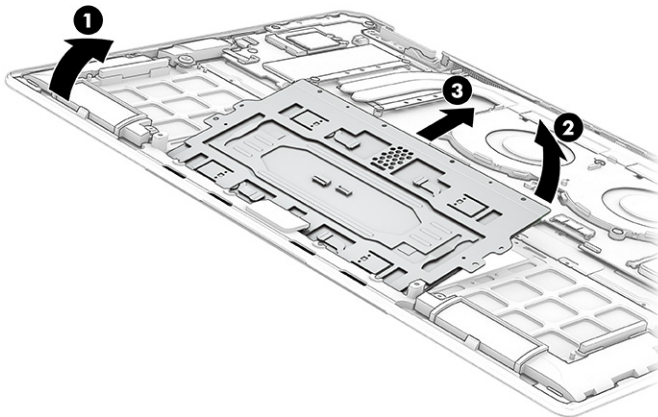
Remove the touchpad:

1. Disconnect both cables from the ZIF connectors **(1)** on the touchpad.

2. Remove the 14 Phillips M1.6 × 2.0 screws (2) from the touchpad.




3. Lift the computer (1) so you can access the top of the touchpad.
4. From the bottom, push up on the touchpad (2) to release it.
5. Pull the touchpad into the computer to remove it (3).

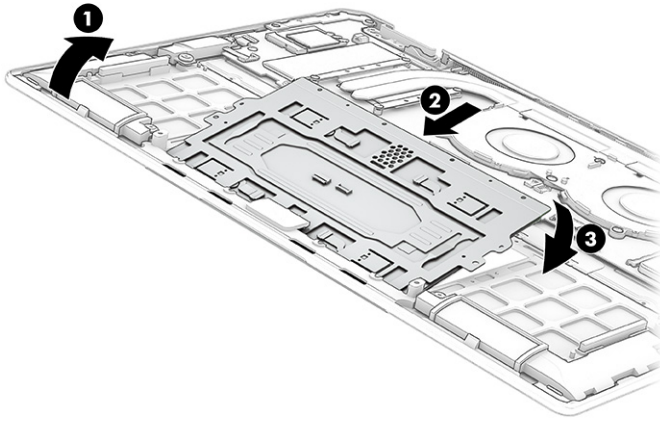


To install the touchpad, reverse this procedure.

---

 **IMPORTANT:** To avoid damaging the computer display panel, when installing the touchpad, lift the computer (1), insert the touchpad (2) into the computer chassis, and rotate the touchpad (3) down into place.

---



## System board

To remove the system board, use these procedures and illustrations.

**Table 5-8 System board descriptions and part numbers**

| Description  | Spare part number |
|--|-------------------|
| <b>System board</b> (includes processor and integrated system memory; for use in models with the Windows operating system) |                   |
| Intel Core Ultra 7 155H processor with 32 GB of integrated system memory   | N67765-601        |
| Intel Core Ultra 7 155H processor with 16 GB of integrated system memory   | N67764-601        |
| Intel Core Ultra 7 155H processor with 32 GB of integrated system memory (for use in the People's Republic of China)       | N76082-601        |
| Intel Core Ultra 5 125H processor with 16 GB of integrated system memory   | N67763-601        |
| Intel Core Ultra 5 125H processor with 16 GB of integrated system memory (for use in the People's Republic of China)       | N76081-601        |

Before removing the system board, follow these steps:


1. Prepare the computer for disassembly (see [Preparation for disassembly on page 31](#)).
2. Remove the bottom cover (see [Bottom cover on page 31](#)).
3. Remove the battery (see [Battery on page 33](#)).
4. Remove the heat sink and fan assembly (see [Heat sink and fan assembly on page 50](#)).

When you replace the system board, be sure to remove the following components (as applicable) from the defective system board and install them on the replacement system board:

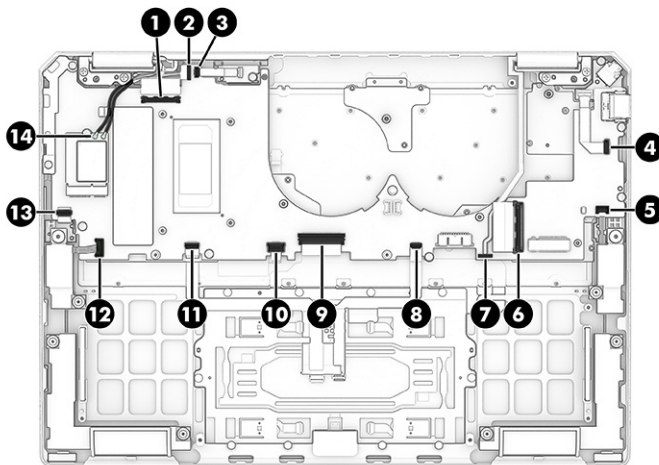
- WLAN module (see [WLAN module on page 47](#)).
- Solid-state drive (see [Solid-state drive on page 48](#)).

Remove the system board:

1. Disconnect the following cables from the system board:

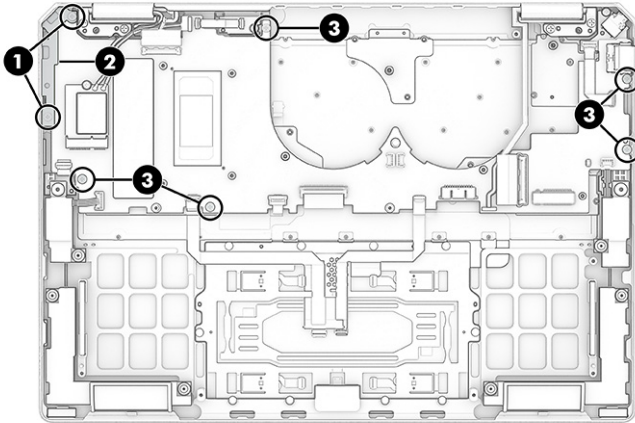
 **NOTE:** Some connectors are covered by transparent tape.

- Large camera cable (1)
- Small camera cable (2)
- IR board cable (ZIF) (3)
- Audio board cable (ZIF) (4)
- Left speaker cable (5)
- Large display cable (ZIF) (6)
- Small display cable (ZIF) (7)
- Touchpad cable (ZIF) (8)
- Keyboard cable (ZIF) (9)
- Keyboard backlight cable (ZIF) (10)
- Touchpad cable (ZIF) (11)
- Right speaker cable (12)
- Power button cable (ZIF) (13)
- Antenna cables from WLAN module (14)

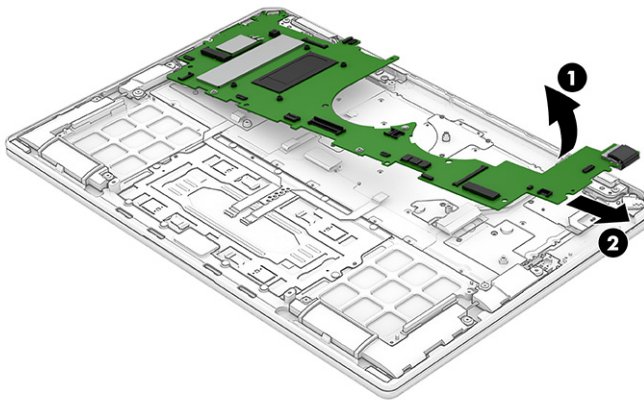


2. Remove two Phillips M2.0 × 3.5 screws (1) from the I/O bracket, and then remove the bracket (2).

- Remove five Phillips M2.0 × 3.5 screws (3) from the system board.



- Lift the right side of system board (1), and then pull the system board right and away from the left-side connectors (2) to remove it from the computer.



To install the system board, reverse this procedure.

## USB door

To remove the USB door, use this procedure and illustration.

**Table 5-9** USB door description and part number

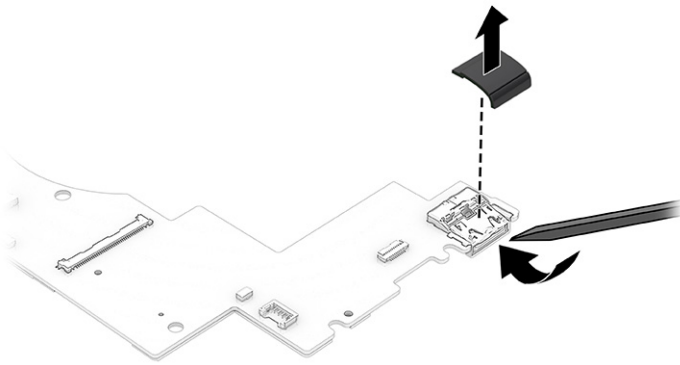
| Description               | Spare part number |
|---------------------------|-------------------|
| USB door, nightfall black | N67791-001        |
| USB door, slate blue      | N67792-001        |
| USB door, Sahara silver   | N67793-001        |

Before removing the USB door, follow these steps:

1. Prepare the computer for disassembly (see [Preparation for disassembly on page 31](#)).
2. Remove the bottom cover (see [Bottom cover on page 31](#)).
3. Remove the battery (see [Battery on page 33](#)).
4. Remove the heat sink and fan assembly (see [Heat sink and fan assembly on page 50](#)).
5. Remove the system board (see [System board on page 54](#)).

Remove the USB door:

- Use a tool to pry the USB door off the removed system board



To install the USB door, reverse this procedure.

## Audio board

To remove the audio board, use this procedure and illustration.

**Table 5-10** Audio board description and part number

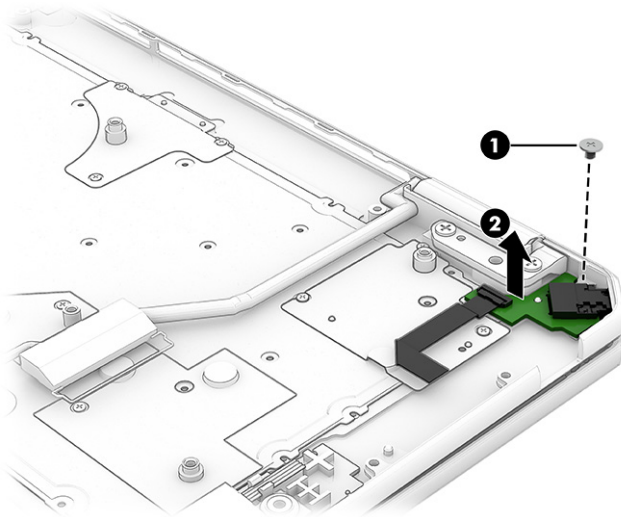
| Description       | Spare part number |
|-------------------|-------------------|
| Audio board       | N67768-001        |
| Audio board cable | N67769-001        |

Before removing the audio board, follow these steps:

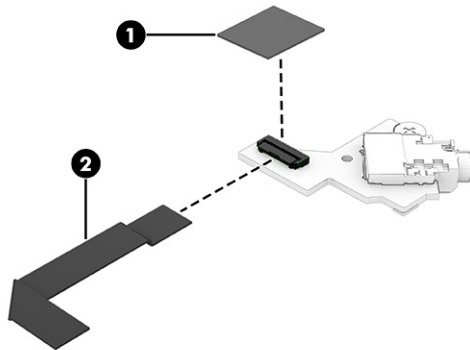
1. Prepare the computer for disassembly (see [Preparation for disassembly on page 31](#)).
2. Remove the bottom cover (see [Bottom cover on page 31](#)).
3. Remove the battery (see [Battery on page 33](#)).
4. Remove the heat sink and fan assembly (see [Heat sink and fan assembly on page 50](#)).
5. Remove the system board (see [System board on page 54](#)).

Remove the audio board:

1. Remove the Phillips M2.0 × 3.5 screw (1) that secures the audio board to the computer.
2. Remove the board (2).



3. To remove the cable from the audio board, remove the protective tape (1) from the connector on the board, and then disconnect the cable (2) from the ZIF connector.



To install the audio board, reverse this procedure.

## Infrared (IR) sensor board

To remove the IR sensor board, use this procedure and illustration.

**Table 5-11** IR sensor board description and part number

| Description     | Spare part number |
|-----------------|-------------------|
| IR sensor board | N67770-001        |
| IR sensor cable | N67771-001        |

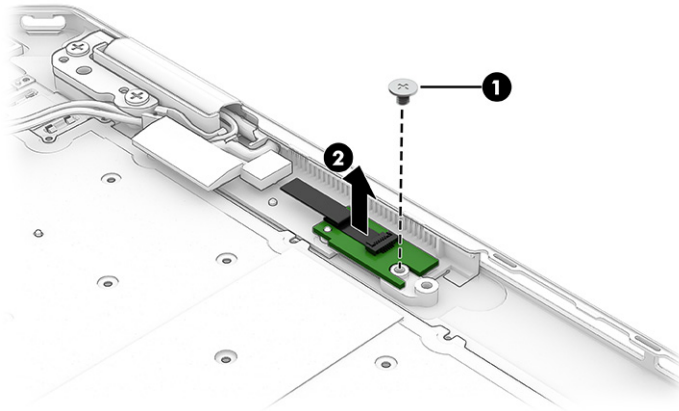


Before removing the IR sensor board, follow these steps:

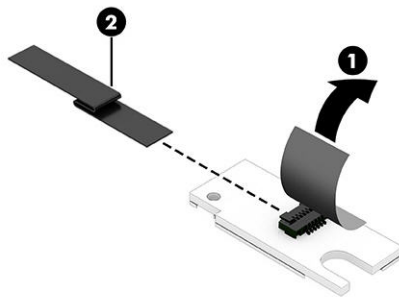
1. Prepare the computer for disassembly (see [Preparation for disassembly on page 31](#)).
2. Remove the bottom cover (see [Bottom cover on page 31](#)).
3. Remove the battery (see [Battery on page 33](#)).
4. Remove the system board (see [System board on page 54](#)).

Remove the IR sensor board:

1. Remove the Phillips M2.0 × 3.5 screw **(1)** that secures the IR sensor board to the computer.
2. Remove the board **(2)**.



3. To disconnect the cable from the IR sensor board, lift the protective tape **(1)** from the connector, and then disconnect the cable **(2)** from the ZIF connector on the board.



To install the IR sensor board, reverse this procedure.

## Power button/fingerprint reader board

To remove the power button board, use this procedure and illustration.

**Table 5-12** Power button/fingerprint reader board description and part number

| Description  | Spare part number |
|--|-------------------|
| Power button/fingerprint reader board, nightfall black | N67786-001        |

**Table 5-12** Power button/fingerprint reader board description and part number (continued)

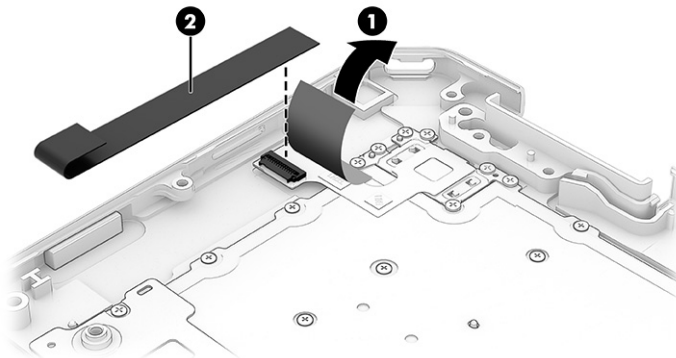
| Description  | Spare part number |
|--|-------------------|
| Power button/fingerprint reader board, slate blue    | N67787-001        |
| Power button/fingerprint reader board, Sahara silver | N67788-001        |

Before removing the power button/fingerprint reader board, follow these steps:

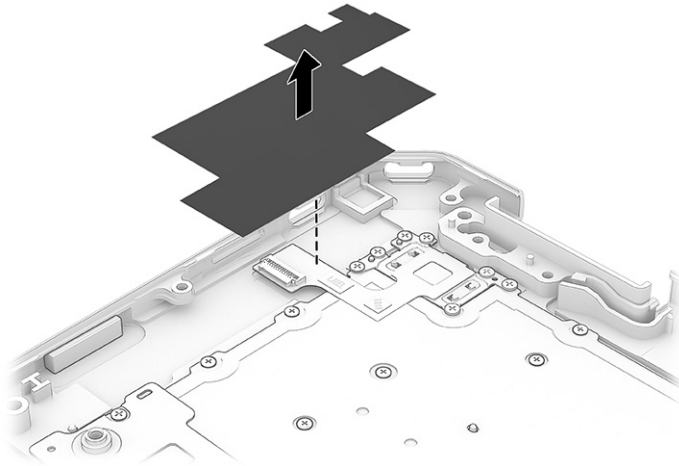
1. Prepare the computer for disassembly (see [Preparation for disassembly on page 31](#)).
2. Remove the bottom cover (see [Bottom cover on page 31](#)).
3. Remove the battery (see [Battery on page 33](#)).
4. Remove the heat sink and fan assembly (see [Heat sink and fan assembly on page 50](#)).
5. Remove the system board (see [System board on page 54](#)).

Remove the power button/fingerprint reader board:

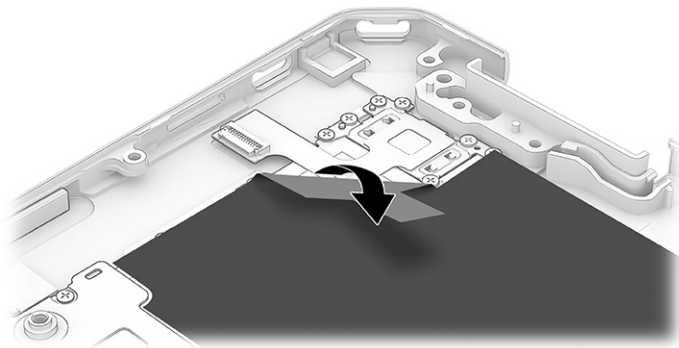
1. Remove the protective tape (1) from the power button/fingerprint reader board cable.
2. Remove the cable (2).



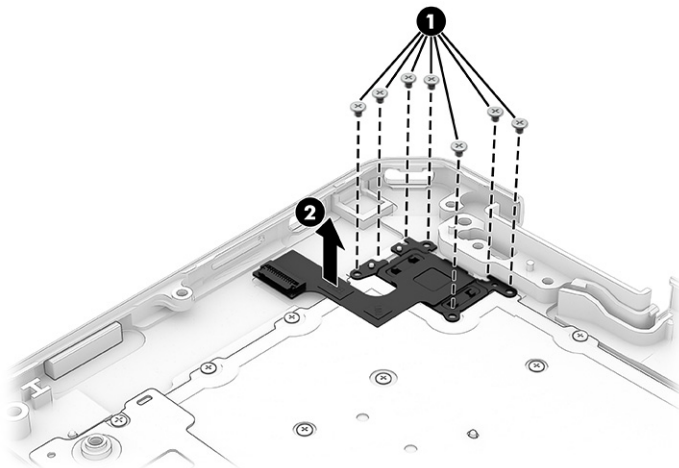
3. Lift the top protective covering off the board.



4. Peel up the protective covering enough to access the board.



5. Remove the seven Phillips M2.0 × 3.5 screws (1), and then remove the board (2) from the computer.



To install the power button/fingerprint reader board, reverse this procedure.

## Keyboard

To remove the keyboard, use these procedures and illustrations. The first table provides the main spare part numbers for the top covers and keyboards. The second table provides the keyboard country codes.

**Table 5-13 Top cover and keyboard descriptions and part numbers**

| Description                                  | Spare part number |
|--|-------------------|
| Top cover, nightfall black                   | N67777-001        |
| Top cover, slate blue                        | N67778-001        |
| Top cover, Sahara silver                     | N67779-001        |
| Top cover, nightfall black, for use in Japan | N67776-001        |
| Keyboard, nightfall black                    | N67806-xx1        |
| Keyboard, slate blue                         | N67807-xx1        |
| Keyboard, Sahara silver                      | N67808-xx1        |

**Table 5-14 Top cover and keyboard descriptions and part numbers**

| For use in country or region | Spare part number | For use in country or region | Spare part number | For use in country or region | Spare part number |
|------------------------------|-------------------|------------------------------|-------------------|------------------------------|-------------------|
| Belgium                      | -A41              | Hungary                      | -211              | Saudi Arabia                 | -171              |
| Brazil                       | -201              | Iceland                      | -DD1              | Slovenia                     | -BA1              |
| Bulgaria                     | -261              | India                        | -D61              | South Korea                  | -AD1              |
| Chile                        | -161              | Israel                       | -BB1              | Spain                        | -071              |
| Czech Republic/Slovakia      | -FL1              | Italy                        | -061              | Switzerland                  | -BG1              |
| Denmark                      | -081              | Japan                        | -291              | Taiwan                       | -AB1              |
| Denmark, Finland, and Norway | -DH1              | The Netherlands              | -B31              | Thailand                     | -281              |
| French Canada                | -DB1              | Northern Africa              | -FP1              | Turkey                       | -141              |
| Finland/Sweden               | -B71              | Norway                       | -091              | Turkey-F                     | -541              |
| France                       | -051              | Portugal                     | -131              | Ukraine                      | -BD1              |
| Germany                      | -041              | Romania                      | -271              | United Kingdom               | -031              |
| Greece                       | -151              | Russia                       | -251              | United States                | -001              |

Before removing the keyboard from the top cover, follow these steps:

1. Prepare the computer for disassembly (see [Preparation for disassembly on page 31](#)).
2. Remove the bottom cover (see [Bottom cover on page 31](#)).
3. Remove the battery (see [Battery on page 33](#)).
4. Remove the heat sink and fan assembly (see [Heat sink and fan assembly on page 50](#)).
5. Remove the system board (see [System board on page 54](#)).

Remove the keyboard from the top cover:

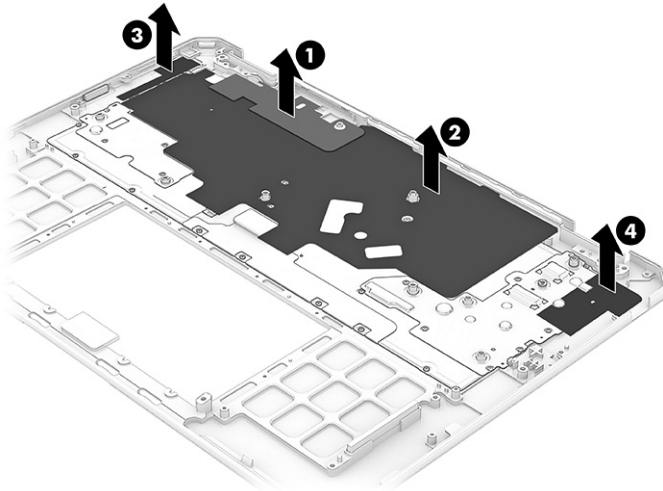
1. Peel off the four protective covers as shown in the following illustration:

(1): Acetate tape

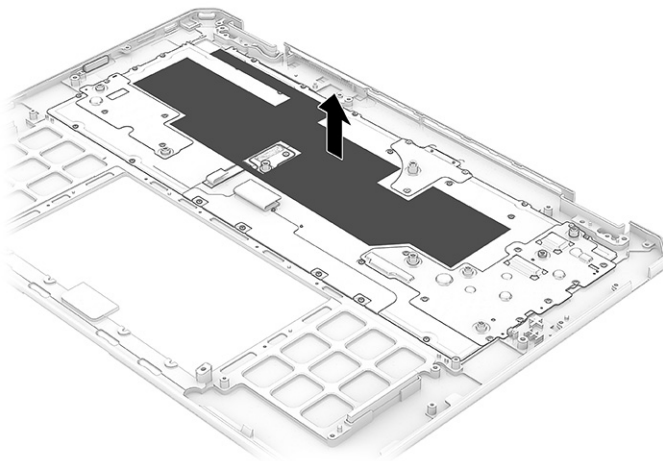
(2): Foil

(3): Protective tape

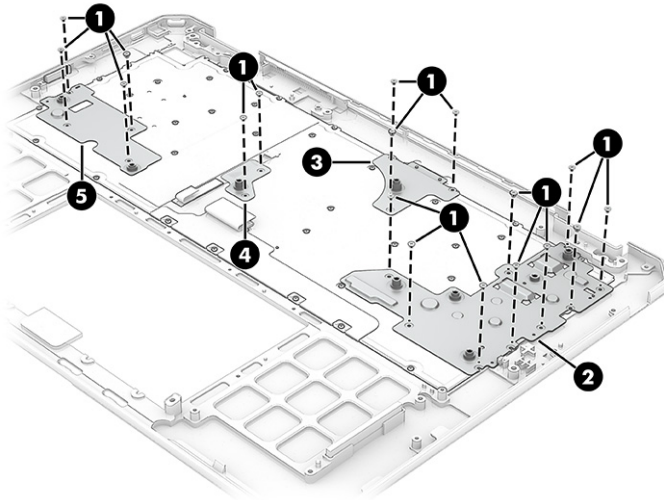
(4): Acetate tape



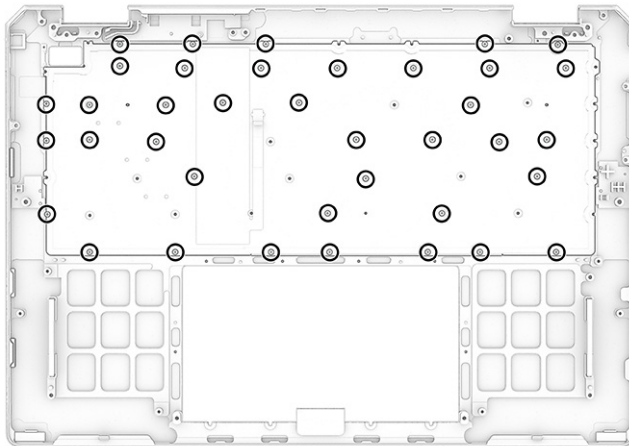
2. Peel off the large copper piece as shown in the following illustration.



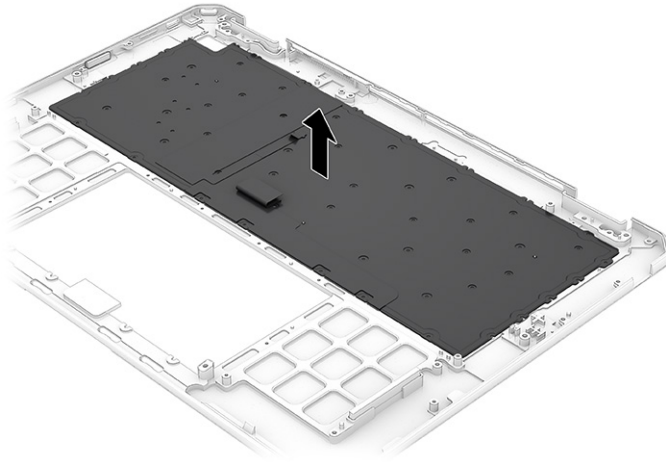
3. Remove 18 Phillips M10 × 12 screws (1) from four keyboard brackets, and then remove the right (2), lower middle (3) upper middle (4), and left bracket (5).



4. Remove 38 Phillips M10 × 10 screws from the keyboard.



5. Remove the keyboard.



The top cover spare part remains after removing the keyboard.

To install the keyboard, reverse this procedure.

---

## 6 Using Setup Utility (BIOS)

Setup Utility, or Basic Input/Output System (BIOS), controls communication between all the input and output devices on the system (such as disk drives, display, keyboard, mouse, and printer). Setup Utility (BIOS) includes settings for the types of devices installed, the startup sequence of the computer, and the amount of system and extended memory.



**NOTE:** To start Setup Utility on convertible computers, your computer must be in notebook mode and you must use the keyboard attached to your notebook.

---

### Starting Setup Utility (BIOS)

You have several ways to access the Setup Utility (BIOS).



**IMPORTANT:** Use extreme care when making changes in Setup Utility (BIOS). Errors can prevent the computer from operating properly.

---

- Turn on or restart the computer and quickly press **f10**.

- or -

Turn on or restart the computer, quickly press **esc**, and then press **f10** when the Start menu is displayed.

### Updating Setup Utility (BIOS)

Updated versions of Setup Utility (BIOS) might be available on the HP website. Most BIOS updates on the HP website are packaged in compressed files called *SoftPags*. Some download packages contain a file named *Readme.txt*, which contains information regarding installing and troubleshooting the file.

### Determining the BIOS version

To decide whether you need to update Setup Utility (BIOS), first determine the BIOS version on your computer.

To reveal the BIOS version information (also known as *ROM date* and *System BIOS*), use one of these options.

- HP Support Assistant
  1. Select the **Search** icon in the taskbar, type `support` in the search box, and then select the **HP Support Assistant** app.

- or -

Select the question mark icon in the taskbar.

  2. Under **My notebook**, select **Specifications**.
- Setup Utility (BIOS)
  1. Start Setup Utility (BIOS) (see [Starting Setup Utility \(BIOS\) on page 66](#)).




2. Select **Main**, and then make note of the BIOS version.
  3. Select **Exit**, select one of the options, and then follow the on-screen instructions.
- In Windows, press **ctrl+alt+s**.


To check for later BIOS versions, see [Preparing for a BIOS update on page 67](#).

## Preparing for a BIOS update

Be sure to follow all prerequisites before downloading and installing a BIOS update.

 **IMPORTANT:** To reduce the risk of damage to the computer or an unsuccessful installation, download and install a BIOS update only when the computer is connected to reliable external power using the AC adapter. Do not download or install a BIOS update while the computer is running on battery power, docked in an optional docking device, or connected to an optional power source. During the download and installation, follow these instructions:

- Do not disconnect power from the computer by unplugging the power cord from the AC outlet.
- Do not shut down the computer or initiate Sleep.
- Do not insert, remove, connect, or disconnect any device, cable, or cord.

 **NOTE:** If your computer is connected to a network, consult the network administrator before installing any software updates, especially system BIOS updates.

## Downloading a BIOS update

After you review the prerequisites, you can check for and download BIOS updates.

1. Select the **Search** icon in the taskbar, type `support` in the search box, and then select the **HP Support Assistant** app.  
  
- or -  
Select the question mark icon in the taskbar.
2. Select **Updates**. The **Checking for Updates** window opens, and Windows checks for updates.
3. Follow the on-screen instructions.
4. At the download area, follow these steps:
  - a. Identify the most recent BIOS update and compare it to the BIOS version currently installed on your computer. If the update is more recent than your BIOS version, make a note of the date, name, or other identifier. You might need this information to locate the update later, after it has been downloaded to your hard drive.
  - b. Follow the on-screen instructions to download your selection to the hard drive.

Make a note of the path to the location on your hard drive where the BIOS update is downloaded. You will need to access this path when you are ready to install the update.

## Installing a BIOS update

BIOS installation procedures vary. Follow any instructions that appear on the screen after the download is complete. If no instructions appear, follow these steps.

1. Select the **Search** icon in the taskbar, type `file` in the search box, and then select **File Explorer**.

2. Select your hard drive designation. The hard drive designation is typically Local Disk (C:).
3. Using the hard drive path you recorded earlier, open the folder that contains the update.
4. Double-click the file that has an .exe extension (for example, *filename.exe*).

The BIOS installation begins.

5. Complete the installation by following the on-screen instructions.



**NOTE:** After a message on the screen reports a successful installation, you can delete the downloaded file from your hard drive.


---


---

# 7 Backing up, restoring, and recovering

You can use Windows tools or HP software to back up your information, create a restore point, reset your computer, create recovery media, or restore your computer to its factory state. Performing these standard procedures can return your computer to a working state faster.

---

 **IMPORTANT:** If you are performing recovery procedures on a tablet, the tablet battery must be at least 70% charged before you start the recovery process.

 **IMPORTANT:** For a tablet with a detachable keyboard, connect the tablet to the keyboard base before beginning any recovery process.

---


## Backing up information and creating recovery media

These methods of creating recovery media and backups are available on select products only.

### Using Windows tools for backing up

HP recommends that you back up your information immediately after initial setup. You can do this task either using Windows Backup locally with an external USB flash drive or using online tools.

---

 **NOTE:** If computer storage is 32 GB or less, Microsoft® System Restore is disabled by default.

---


### Using the HP Cloud Recovery Download Tool to create recovery media (select products only)


You can use the HP Cloud Recovery Download Tool to create HP Recovery media on a bootable USB flash drive.

For details:

- Go to <http://www.hp.com>, search for HP Cloud Recovery, and then select the result that matches the type of computer that you have.

---

 **NOTE:** If you cannot create recovery media yourself, contact support to obtain recovery discs. Go to <http://www.hp.com/support>, select your country or region, and then follow the on-screen instructions.

 **IMPORTANT:** HP recommends that you follow the [Restoring and recovery methods on page 70](#) to restore your computer before you obtain and use the HP recovery discs. Using a recent backup can return your machine to a working state sooner than using the HP recovery discs. After the system is restored, reinstalling all the operating system software released since your initial purchase can be a lengthy process.

---

## Restoring and recovering your system

You have several tools available to recover your system both within and outside of Windows if the desktop cannot load.

HP recommends that you attempt to restore your system using the [Restoring and recovery methods on page 70](#).

## Creating a system restore

System Restore is available in Windows. The System Restore software can automatically or manually create restore points, or snapshots, of the system files and settings on the computer at a particular point.

When you use System Restore, it returns your computer to its state at the time you made the restore point. Your personal files and documents should not be affected.

## Restoring and recovery methods

After you run the first method, test to see whether the issue still exists before you proceed to the next method, which might now be unnecessary.

1. Run a Microsoft System Restore.
2. Run Reset this PC.



---

**NOTE:** The options **Remove everything** and then **Fully clean the drive** can take several hours to complete and leave no information on your computer. It is the safest way to reset your computer before you recycle it.

---

3. Recover using HP Recovery media. For more information, see [Recovering using HP Recovery media on page 70](#).

For more information about the first two methods, see the Get Help app:

- Select the **Start** button, select **All apps**, select the **Get Help** app, and then enter the task you want to perform.



---

**NOTE:** You must be connected to the internet to access the Get Help app.

---

## Recovering using HP Recovery media

You can use HP Recovery media to recover the operating system and drivers that were installed at the factory. On select products, you can create recovery media on a bootable USB flash drive using the HP Cloud Recovery Download Tool.

For details, see [Using the HP Cloud Recovery Download Tool to create recovery media \(select products only\) on page 69](#).



---

**NOTE:** If you cannot create recovery media yourself, contact support to obtain recovery discs. Go to <http://www.hp.com/support>, select your country or region, and then follow the on-screen instructions.

---

To recover your system:

- Insert the HP Recovery media, and then restart the computer.



---


**NOTE:** HP recommends that you follow the [Restoring and recovery methods on page 70](#) to restore your computer before you obtain and use the HP recovery discs. Using a recent backup can return your machine to a working state sooner than using the HP recovery discs. After the system is restored, reinstalling all the operating system software released since your initial purchase can be a lengthy process.

---

## Changing the computer boot order

If your computer does not restart using the HP Recovery media, you can change the computer boot order, which is the order of devices listed in BIOS for startup information. You can select an optical drive or a USB flash drive, depending on the location of your HP Recovery media.

---

 **IMPORTANT:** For a tablet with a detachable keyboard, connect the tablet to the keyboard base before beginning these steps.

---

To change the boot order:

1. Insert the HP Recovery media.
2. Access the system **Startup** menu.
  - For computers or tablets with keyboards attached, turn on or restart the computer or tablet, quickly press **esc**, and then press **f9** for boot options.
  - For tablets without keyboards, turn on or restart the tablet, quickly press and hold the volume up button, and then select **f9**.

– or –

Turn on or restart the tablet, quickly press and hold the volume down button, and then select **f9**.
3. Select the optical drive or USB flash drive from which you want to boot, and then follow the on-screen instructions.

## Using HP Sure Recover (select products only)

Select computer models are configured with HP Sure Recover, a PC operating system (OS) recovery solution built into the hardware and software. HP Sure Recover can fully restore the HP OS image without installed recovery software.

Using HP Sure Recover, an administrator or user can restore the system and install:

- Latest version of the operating system
- Platform-specific device drivers
- Software applications, in the case of a custom image

To access the latest documentation for HP Sure Recover, go to <http://www.hp.com/support>. Follow the on-screen instructions to find your product and locate your documentation.

---

## 8 Using HP PC Hardware Diagnostics

You can use the HP PC Hardware Diagnostics utility to determine whether your computer hardware is running properly. The three versions are HP PC Hardware Diagnostics Windows, HP PC Hardware Diagnostics UEFI (Unified Extensible Firmware Interface), and (for select products only) Remote HP PC Hardware Diagnostics UEFI, a firmware feature.

### Using HP PC Hardware Diagnostics Windows (select products only)

HP PC Hardware Diagnostics Windows is a Windows-based utility that allows you to run diagnostic tests to determine whether the computer hardware is functioning properly. The tool runs within the Windows operating system to diagnose hardware failures.

If HP PC Hardware Diagnostics Windows is not installed on your computer, you must download and install it. To download HP PC Hardware Diagnostics Windows, see [Downloading HP PC Hardware Diagnostics Windows on page 73](#).

### Using an HP PC Hardware Diagnostics Windows hardware failure ID code

When HP PC Hardware Diagnostics Windows detects a failure that requires hardware replacement, a 24-digit failure ID code is generated for select component tests. For interactive tests, such as keyboard, mouse, or audio and video palette, you must perform troubleshooting steps before you can receive a failure ID.

- You have several options after you receive a failure ID:
  - Select **Next** to open the Event Automation Service (EAS) page, where you can log the case.
  - Scan the QR code with your mobile device, which takes you to the EAS page, where you can log the case.
  - Select the box next to the 24-digit failure ID to copy your failure code and send it to support.

### Accessing HP PC Hardware Diagnostics Windows

After HP PC Hardware Diagnostics Windows is installed, you can access it from HP Support Assistant or the Start menu.


#### Accessing HP PC Hardware Diagnostics Windows from HP Support Assistant

After HP PC Hardware Diagnostics Windows is installed, follow these steps to access it from HP Support Assistant:

1. Complete one of the following tasks:
  - Select the **Search** icon in the taskbar, type `support` in the search box, and then select the **HP Support Assistant** app.
  - Select the question mark icon in the taskbar.
2. Select **Fixes & Diagnostics**.

3. Select **Run hardware diagnostics**, and then select **Launch**.
4. When the tool opens, select the type of diagnostic test that you want to run, and then follow the on-screen instructions.

---

 **NOTE:** To stop a diagnostic test, select **Cancel**.


---

## Accessing HP PC Hardware Diagnostics Windows from the Start menu (select products only)

After HP PC Hardware Diagnostics Windows is installed, follow these steps to access it from the Start menu:

1. Select the **Start** button, and then select **All apps**.
2. Select **HP PC Hardware Diagnostics Windows**.
3. When the tool opens, select the type of diagnostic test that you want to run, and then follow the on-screen instructions.

---

 **NOTE:** To stop a diagnostic test, select **Cancel**.

---

## Downloading HP PC Hardware Diagnostics Windows

The HP PC Hardware Diagnostics Windows downloading instructions are provided in English only. You must use a Windows computer to download this tool because only .exe files are provided.

### Downloading the latest HP PC Hardware Diagnostics Windows version from HP

To download HP PC Hardware Diagnostics Windows from HP, follow these steps:

1. Go to <http://www.hp.com/go/techcenter/pcdiags>. The HP PC Diagnostics home page is displayed.
2. Select **Download HP Diagnostics Windows**, and then select the specific Windows diagnostics version to download to your computer or a USB flash drive.

The tool downloads to the selected location.

### Downloading the HP PC Hardware Diagnostics Windows from the Microsoft Store

You can download the HP PC Hardware Diagnostics Windows from the Microsoft Store:


1. Select the Microsoft Store app on your desktop or select the **Search** icon in the taskbar, and then type `Microsoft Store` in the search box.
2. Type `HP PC Hardware Diagnostics Windows` in the **Microsoft Store** search box.
3. Follow the on-screen directions.

The tool downloads to the selected location.

### Downloading HP Hardware Diagnostics Windows by product name or number (select products only)

You can download HP PC Hardware Diagnostics Windows by product name or number.

---

 **NOTE:** For some products, you might have to download the software to a USB flash drive by using the product name or number.

---

1. Go to <http://www.hp.com/support>.
2. Select **Software and Drivers**, select your type of product, and then enter the product name or number in the search box that is displayed.
3. In the **Diagnostics** section, select **Download**, and then follow the on-screen instructions to select the specific Windows diagnostics version to be downloaded to your computer or USB flash drive.

The tool downloads to the selected location.

## Installing HP PC Hardware Diagnostics Windows

To install HP PC Hardware Diagnostics Windows, navigate to the folder on your computer or the USB flash drive where the .exe file downloaded, double-click the .exe file, and then follow the on-screen instructions.

## Using HP PC Hardware Diagnostics UEFI

HP PC Hardware Diagnostics Unified Extensible Firmware Interface (UEFI) allows you to run diagnostic tests to determine whether the computer hardware is functioning properly. The tool runs outside the operating system so that it can isolate hardware failures from issues that are caused by the operating system or other software components.



**NOTE:** For some products, you must use a Windows computer and a USB flash drive to download and create the HP UEFI support environment because only .exe files are provided. For more information, see [Downloading HP PC Hardware Diagnostics UEFI to a USB flash drive on page 75](#).

If your PC does not start in Windows, you can use HP PC Hardware Diagnostics UEFI to diagnose hardware issues.

## Using an HP PC Hardware Diagnostics UEFI hardware failure ID code

When HP PC Hardware Diagnostics UEFI detects a failure that requires hardware replacement, a 24-digit failure ID code is generated.

For assistance in solving the problem, complete one of these tasks:

- Select **Contact HP**, accept the HP privacy disclaimer, and then use a mobile device to scan the failure ID code that appears on the next screen. The HP Customer Support - Service Center page appears with your failure ID and product number automatically filled in. Follow the on-screen instructions.
- Contact support, and provide the failure ID code.

## Starting HP PC Hardware Diagnostics UEFI

To start HP PC Hardware Diagnostics UEFI, follow this procedure.

1. Turn on or restart the computer, and quickly press **esc**.
2. Press **f2**.

The BIOS searches three places for the diagnostic tools, in the following order:



- a. Connected USB flash drive



---

**NOTE:** To download the HP PC Hardware Diagnostics UEFI tool to a USB flash drive, see [Downloading the latest HP PC Hardware Diagnostics UEFI version on page 76](#).

---

- b. Hard drive
  - c. BIOS
3. When the diagnostic tool opens, select the type of diagnostic test that you want to run, and then follow the on-screen instructions.

## Starting HP PC Hardware Diagnostics UEFI through HP Hotkey Support software (select products only)

This section describes how to start HP PC Hardware Diagnostics UEFI through HP Hotkey Support software.



---

**NOTE:** You must disable fast boot to access HP PC Hardware Diagnostics UEFI from the HP System Information application.

To disable fast boot:

1. Turn on or restart the computer, and when the HP logo appears, press **f10** to enter Computer Setup.
2. Select **Advanced**, and then select **Boot Options**.
3. Clear **Fast Boot**.
4. Select **Save Changes and Exit**, and then select **Yes**.

---

To start HP PC Hardware Diagnostics UEFI through HP Hotkey Support software, follow this procedure.:

1. From the **Start** menu, open the HP System Information Application or press **fn+esc**.
2. In HP System Information screen, select **Run System Diagnostics**, select **Yes** to run the application, and then select **Restart**.



---

**IMPORTANT:** To prevent loss of data, save your work in all open apps before restarting your computer.



---

**NOTE:** When the restart is complete, the computer opens the HP PC Hardware Diagnostics UEFI Application. Proceed with the troubleshooting tests.

---

## Downloading HP PC Hardware Diagnostics UEFI to a USB flash drive

Downloading HP PC Hardware Diagnostics UEFI to a USB flash drive can be useful in some situations.

- HP PC Hardware Diagnostics UEFI is not included in the preinstallation image.
- HP PC Hardware Diagnostics UEFI is not included in the HP Tool partition.
- The hard drive is damaged.



---

**NOTE:** The HP PC Hardware Diagnostics UEFI downloading instructions are provided in English only, and you must use a Windows computer to download and create the HP UEFI support environment because only .exe files are provided.

---

## Downloading the latest HP PC Hardware Diagnostics UEFI version

To download the latest HP PC Hardware Diagnostics UEFI version to a USB flash drive, follow this procedure:

1. Go to <http://www.hp.com/go/techcenter/pcdiags>. The HP PC Diagnostics home page is displayed.
2. Select **Download HP Diagnostics UEFI**, and then select **Run**.

## Downloading HP PC Hardware Diagnostics UEFI by product name or number (select products only)

You can download HP PC Hardware Diagnostics UEFI by product name or number (select products only) to a USB flash drive.



---

**NOTE:** For some products, you might have to download the software to a USB flash drive by using the product name or number.

---

1. Go to <http://www.hp.com/support>.
2. Enter the product name or number, select your computer, and then select your operating system.
3. In the **Diagnostics** section, follow the on-screen instructions to select and download the specific UEFI Diagnostics version for your computer.

## Using Remote HP PC Hardware Diagnostics UEFI settings (select products only)

Remote HP PC Hardware Diagnostics UEFI is a firmware (BIOS) feature that downloads HP PC Hardware Diagnostics UEFI to your computer. It can then run the diagnostics on your computer, and it might upload results to a preconfigured server.

For more information about Remote HP PC Hardware Diagnostics UEFI, go to <http://www.hp.com/go/techcenter/pcdiags>, and then select **Find out more**.

## Downloading Remote HP PC Hardware Diagnostics UEFI

Remote HP PC Hardware Diagnostics UEFI is also available as a SoftPaq that you can download to a server.

## Downloading the latest Remote HP PC Hardware Diagnostics UEFI version

You can download the latest Remote HP PC Hardware Diagnostics UEFI version to a USB flash drive.

1. Go to <http://www.hp.com/go/techcenter/pcdiags>. The HP PC Diagnostics home page is displayed.
2. Select **Download Remote Diagnostics**, and then select **Run**.

## Downloading Remote HP PC Hardware Diagnostics UEFI by product name or number

You can download Remote HP PC Hardware Diagnostics UEFI by product name or number.



---

**NOTE:** For some products, you might have to download the software by using the product name or number.

---

1. Go to <http://www.hp.com/support>.

2. Select **Software and Drivers**, select your type of product, enter the product name or number in the search box that is displayed, select your computer, and then select your operating system.
3. In the **Diagnostics** section, follow the on-screen instructions to select and download the **Remote UEFI** version for the product.

## Customizing Remote HP PC Hardware Diagnostics UEFI settings

Using the Remote HP PC Hardware Diagnostics setting in Computer Setup (BIOS), you can perform several customizations.

- Set a schedule for running diagnostics unattended. You can also start diagnostics immediately in interactive mode by selecting **Execute Remote HP PC Hardware Diagnostics UEFI**.
- Set the location for downloading the diagnostic tools. This feature provides access to the tools from the HP website or from a server that has been preconfigured for use. Your computer does not require the traditional local storage, such as a hard drive or USB flash drive, to run remote diagnostics.
- Set a location for storing the test results. You can also set the user name and password that you use for uploads.
- Display status information about the diagnostics run previously.

To customize Remote HP PC Hardware Diagnostics UEFI settings, follow these steps:

1. Turn on or restart the computer, and when the HP logo appears, press **f10** to enter Computer Setup.
2. Select **Advanced**, and then select **Settings**.
3. Make your customization selections.
4. Select **Main**, then select **Save Changes and Exit** to save your settings.

Your changes take effect when the computer restarts.

# 9 Specifications

This chapter provides specifications for your computer system.

## Computer specifications

This section provides specifications for your computer. When you travel with your computer, the computer dimensions and weights, as well as input power ratings and operating specifications, provide helpful information.

**Table 9-1** Computer specifications

|   | Metric   | U.S.                |
|---|--|---------------------|
| <b>Dimensions</b>   |  |                     |
| Width   | 313.7 mm   | 12.4 in             |
| Depth   | 220.4 mm   | 8.7 in              |
| Height  | 16.99 mm   | 0.7 in              |
| <b>Weight</b>   |  |                     |
|   | 1449 g   | 3.2 lb              |
| <b>Input power</b>  |  |                     |
| Operating voltage and current   | 5 V DC @ 3 A / 9 V DC @ 3 A / 12 V DC @ 5 A / 15 V DC @ 4.33 A / 20 V DC @ 3.25 A - 65 W USB-C                 |                     |
|   | 5 V DC @ 3 A / 9 V DC @ 3 A / 10 V DC @ 5 A / 12 V DC @ 5 A / 15 V DC @ 4.33 A / 20 V DC @ 3.25 A - 65 W USB-C |                     |
| <b>Temperature</b>  |  |                     |
| Operating   | 5°C to 35°C  | 41°F to 95°F        |
| Nonoperating  | -20°C to 60°C  | -4°F to 140°F       |
| <b>Relative humidity</b> (noncondensing)  |  |                     |
| Operating   | 10% to 90%   |                     |
| Nonoperating  | 5% to 95%  |                     |
| <b>Maximum altitude</b> (unpressurized)   |  |                     |
| Operating   | -15 m to 3,048 m   | -50 ft to 10,000 ft |
| Nonoperating  | -15 m to 12,192 m  | -50 ft to 40,000 ft |
| <b>NOTE:</b> Applicable product safety standards specify thermal limits for plastic surfaces. The device operates well within this range of temperatures. |  |                     |

## Display specifications

This section provides specifications for your display.

**Table 9-2 Display specifications**

|                         | <b>Metric</b>      | <b>U.S.</b> |
|-------------------------|--------------------|-------------|
| Active diagonal size    | <b>35.6 cm</b>     | 14.0 in     |
| Resolution              | 2880 × 1800 (2.8K) |             |
| Surface treatment       | BrightView         |             |
| Brightness              | 400 nits           |             |
| Viewing angle           | UWVA               |             |
| Backlight               | AMOLED             |             |
| Display panel interface | eDP                |             |

## Solid-state drive specifications

This section provides specifications for your solid-state drives.

**Table 9-3 Solid-state drive specifications**

|                                   | <b>512 GB*</b>                     | <b>1 TB*</b>       | <b>2 TB*</b>       |
|-----------------------------------|------------------------------------|--------------------|--------------------|
| <b>Dimensions</b>                 |                                    |                    |                    |
| Height                            | 1.0 mm                             | 1.0 mm             | 1.0 mm             |
| Length                            | 50.8 mm                            | 50.8 mm            | 50.8 mm            |
| Width                             | 28.9 mm                            | 28.9 mm            | 28.9 mm            |
| Weight                            | < 10 g                             | < 10 g             | < 10 g             |
| <b>Interface type</b>             |                                    |                    |                    |
| Ready time, maximum (to not busy) | < 1.0 ms                           | < 1.0 ms           | < 1.0 ms           |
| Access times, logical             | 0.1 ms                             | 0.1 ms             | 0.1 ms             |
| <b>Transfer rate</b>              |                                    |                    |                    |
| Sequential read                   | up to 2150 MBps                    | Up to 300,000 IOPs | Up to 300,000 IOPs |
| Random read                       | Up to 300,000 IOPs                 | Up to 300,000 IOPs | Up to 300,000 IOPs |
| Sequential write                  | up to 1550 MBps                    | up to 1550 MBps    | up to 2500 MBps    |
| Random write                      | Up to 100,000 IOPs                 | Up to 100,000 IOPs | Up to 125,000 IOPs |
| <b>Total logical sectors</b>      | 1,000,215,216                      | 1,500,336,388      | 2,985,523,121      |
| <b>Operating temperature</b>      | <b>0°C to 70°C (32°F to 158°F)</b> |                    |                    |

\*1 GB = 1 billion bytes when referring to hard drive storage capacity. Actual accessible capacity is less. Actual drive specifications might differ slightly.

**NOTE:** Certain restrictions and exclusions apply. Contact support for details.

# 10 Power cord set requirements

This chapter provides power cord requirements for countries and regions.

The wide-range input feature of the computer permits it to operate from any line voltage from 100 V AC to 120 V AC, or from 220 V AC to 240 V AC.

The three-conductor power cord set included with the computer meets the requirements for use in the country or region where the equipment is purchased.

Power cord sets for use in other countries or regions must meet the requirements of the country and region where the computer is used.

## Requirements for all countries

These power cord requirements are applicable to all countries and regions.

- The length of the power cord set must be at least **1.0 m** (3.3 ft) and no more than **2.0 m** (6.5 ft).
- All power cord sets must be approved by an acceptable accredited agency responsible for evaluation in the country or region where the power cord set will be used.
- The power cord sets must have a minimum current capacity of 10 A and a nominal voltage rating of 125 V AC or 250 V AC, as required by the power system of each country or region.
- The appliance coupler must meet the mechanical configuration of an EN 60 320/IEC 320 Standard Sheet C13 connector for mating with the appliance inlet on the back of the computer.

## Requirements for specific countries and regions

To determine power cord requirements for specific countries and regions, use this table.

**Table 10-1** Power cord requirements for specific countries and regions

| Country/region | Accredited agency | Applicable note number |
|----------------|-------------------|------------------------|
| Argentina      | IRAM              | 1                      |
| Australia      | SAA               | 1                      |
| Austria        | OVE               | 1                      |
| Belgium        | CEBEC             | 1                      |
| Brazil         | ABNT              | 1                      |
| Canada         | CSA               | 2                      |
| Chile          | IMQ               | 1                      |
| Denmark        | DEMKO             | 1                      |
| Finland        | FIMKO             | 1                      |
| France         | UTE               | 1                      |

**Table 10-1 Power cord requirements for specific countries and regions (continued)**

| Country/region             | Accredited agency | Applicable note number |
|----------------------------|-------------------|------------------------|
| Germany                    | VDE               | 1                      |
| India                      | BIS               | 1                      |
| Israel                     | SII               | 1                      |
| Italy                      | IMQ               | 1                      |
| Japan                      | JIS               | 3                      |
| Netherlands                | KEMA              | 1                      |
| New Zealand                | SANZ              | 1                      |
| Norway                     | NEMKO             | 1                      |
| People's Republic of China | CCC               | 4                      |
| Saudi Arabia               | SASO              | 7                      |
| Singapore                  | PSB               | 1                      |
| South Africa               | SABS              | 1                      |
| South Korea                | KTL               | 5                      |
| Sweden                     | SEMKO             | 1                      |
| Switzerland                | SEV               | 1                      |
| Taiwan                     | BSMI              | 6                      |
| Thailand                   | TISI              | 1                      |
| United Kingdom             | ASTA              | 1                      |
| United States              | UL                | 2                      |

1. The flexible cord must be Type H05VV-F, three-conductor, 0.75 mm<sup>2</sup> conductor size. Power cord set fittings (appliance coupler and wall plug) must bear the certification mark of the agency responsible for evaluation in the country or region where it will be used.
2. The flexible cord must be Type SVT/SJT or equivalent, No. 18 AWG, three-conductor. The wall plug must be a two-pole grounding type with a NEMA 5-15P (15 A, 125 V AC) or NEMA 6-15P (15 A, 250 V AC) configuration. CSA or C-UL mark. UL file number must be on each element.
3. The appliance coupler, flexible cord, and wall plug must bear a T mark and registration number in accordance with the Japanese Dentori Law. The flexible cord must be Type VCTF, three-conductor, 0.75 mm<sup>2</sup> or 1.25 mm<sup>2</sup> conductor size. The wall plug must be a two-pole grounding type with a Japanese Industrial Standard C8303 (7 A, 125 V AC) configuration.
4. The flexible cord must be Type RVV, three-conductor, 0.75 mm<sup>2</sup> conductor size. Power cord set fittings (appliance coupler and wall plug) must bear the CCC certification mark.
5. The flexible cord must be Type H05VV-F three-conductor, 0.75 mm<sup>2</sup> conductor size. KTL logo and individual approval number must be on each element. Approval number and logo must be printed on a flag label.
6. The flexible cord must be Type HVCTF three-conductor, 1.25 mm<sup>2</sup> conductor size. Power cord set fittings (appliance coupler, cable, and wall plug) must bear the BSMI certification mark.
7. For 127 V AC, the flexible cord must be Type SVT or SJT 3-conductor, 18 AWG, with plug NEMA 5-15P (15 A, 125 V AC), with UL and CSA or C-UL marks. For 240 V AC, the flexible cord must be Type H05VV-F three-conductor, 0.75 mm<sup>2</sup> or 1.00 mm<sup>2</sup> conductor size, with plug BS 1363/A with BSI or ASTA marks.

---

# 11 Recycling

When a nonrechargeable or rechargeable battery has reached the end of its useful life, do not dispose of the battery in general household waste. Follow the local laws and regulations in your area for battery disposal.

HP encourages customers to recycle used electronic hardware, HP original print cartridges, and rechargeable batteries. For more information about recycling programs, see the HP website at <http://www.hp.com/recycle>.



# Index

## A

- AC adapter and battery light, identifying 5
- AC adapters, spare part numbers 20
- action key, identifying 12
- audio board
  - illustrated 18
  - removal 57
  - spare part number 18, 57
- audio-out (headphone)/audio-in (microphone) combo jack, identifying 6
- audio, product description 1

## B

- backup, creating 69
- backups 69
- battery
  - illustrated 17
  - spare part number 17
- BIOS
  - determining version 66
  - downloading an update 67
  - starting the Setup Utility 66
  - updating 66
- Bluetooth label 14
- boot order, changing 71
- bottom components 13
- bottom cover
  - illustrated 17
  - removal 31
  - spare part number 17, 31
- buttons
  - left touchpad 8, 9
  - power 11, 12
  - right touchpad 8, 9

## C

- camera
  - identifying 7
  - illustrated 19
  - spare part number 19
- camera light, identifying 7
- camera privacy light, identifying 10
- caps lock light 10

- caring for your computer 26
- cautions
  - electrostatic discharge 22, 23
- cleaning your computer 26
  - caring for wood veneer 28
  - disinfecting 27
  - HP Easy Clean 26
  - removing dirt and debris 26
- components
  - bottom 13
  - display 6, 7
  - keyboard area 8
  - left side 6
  - lights 9
  - rear 13
  - right side 5
  - touchpad 8, 9
- computer major components 16
- computer specifications 78
- connectors
  - power 5
- control zone 8

## D

- display
  - specifications 78
- display assembly
  - subcomponents 18
- display back cover
  - illustrated 20
  - spare part number 20
- display cable
  - illustrated 19
  - spare part number 19
- display components 6, 7
- display panel
  - illustrated 19
  - product description 1
  - spare part number 19

## E

- electrostatic discharge (ESD) 22, 23
  - preventing damage 22-24
- esc key, identifying 12

## F

- fingerprint reader 11
- fn key, identifying 12
- fn lock light, identifying 10

## G

- graphics, product description 1
- grounding methods 22-24
- guidelines
  - packaging 22, 28
  - transporting 22, 28
  - workstation 22

## H

- hard drive
  - product description 1
  - specifications 78
- heat sink and fan assembly
  - removal 50
  - spare part numbers 50
- heat sink with fan
  - illustrated 18
  - spare part number 18
- hinge
  - illustrated 20
  - spare part number 20
- hinge covers
  - illustrated 20
  - spare part number 20
- HP PC Hardware Diagnostics UEFI
  - downloading 75
  - failure ID code 74
  - HP Hotkey Support
    - software 75
  - starting 74, 75
  - using 74
- HP PC Hardware Diagnostics Windows
  - accessing 72, 73
  - downloading 73
  - failure ID code 72
  - installing 74
  - using 72
- HP Recovery media
  - recovery 70
- HP Sure Recover 71

## I

illustrated parts catalog 16  
IMAX Enhanced Mode,  
  identifying 7  
internal microphones,  
  identifying 7  
IR sensor board  
  illustrated 18  
  removal 58  
  spare part number 18, 58

## J

jacks  
  audio-out (headphone)/audio-in  
  (microphone) 6

## K

keyboard  
  illustrated 17  
  product description 2  
  removal 62  
  spare part number 17, 62  
keys  
  action 12  
  esc 12  
  fn 12  
  Windows 12

## L

labels  
  Bluetooth 14  
  regulatory 14  
  serial number 14  
  service 14  
  wireless certification 14  
  WLAN 14  
left control zone, identifying 8  
left side components 6  
lights  
  AC adapter and battery 5  
  camera 7  
  camera privacy 10  
  caps lock 10  
  fn lock 10  
  microphone mute 10  
  mute 10  
  power 10  
  touchpad 8  
low blue light mode 6

## M

memory module  
  product description 1  
microphone  
  product description 1  
microphone mute light,  
  identifying 10  
model name 1  
mute light, identifying 10

## O

operating system, product  
  description 3, 4

## P

packaging guidelines 22, 28  
pointing device, product  
  description 2  
ports  
  product description 2  
  USB Type-C power connector  
  and Thunderbolt port with  
  HP Sleep and Charge and  
  DisplayPort output 5  
  USB with HP Sleep and  
  Charge 6  
power button, identifying 11, 12  
power button/fingerprint reader  
  board  
  illustrated 18  
  removal 59  
  spare part number 18, 59  
power connector  
  identifying 5  
power cord  
  requirements for all  
  countries 80  
  requirements for specific  
  countries and regions 80  
  set requirements 80  
power cords, spare part  
  numbers 20  
power light, identifying 10  
power requirements, product  
  description 3  
primary storage  
  product description 1  
processor  
  product description 1  
product description  
  audio 1  
  display panel 1  
  graphics 1

hard drive 1  
keyboard 2  
memory module 1  
microphone 1  
operating system 3, 4  
pointing device 2  
ports 2  
power requirements 3  
primary storage 1  
processors 1  
product name 1  
security 3  
serviceability 4  
solid-state drive 1  
video 1  
wireless 2  
product name 1  
product name and number,  
  computer 14

## R

rear components 13  
recovery 69  
  discs 70  
  media 70  
  USB flash drive 70  
recovery media 69  
  creating using HP Cloud  
  Recovery Download  
  Tool 69  
  creating using Windows  
  tools 69  
regulatory information  
  regulatory label 14  
  wireless certification labels 14  
Remote HP PC Hardware  
  Diagnostics UEFI settings  
  customizing 77  
  using 76  
removal and replacement  
  procedures 31  
  solid-state drive 48  
restoring 69  
restoring and recovery  
  methods 70  
right control zone, identifying 8  
right side components 5

## S

Screw Kit, spare part number 20  
security, product description 3  
serial number, computer 14  
service labels, locating 14

- serviceability, product
  - description 4
- solid-state drive
  - illustrated 18
  - product description 1
  - removal and replacement 48
  - spare part number 18
  - specifications 79
- speaker
  - illustrated 17
  - removal 46
  - spare part number 17
  - spare part numbers 46
- speakers 11, 13
- special keys
  - identifying 12
  - using 12
- specifications
  - computer 78
  - display 78
  - hard drive 78
  - solid-state drive 79
- static electricity 22, 23
- support information 29
- system board
  - illustrated 17
  - removal 54
  - spare part number 17
  - spare part numbers 54
- system restore 70
- system restore point, creating 69

**T**

- top cover
  - illustrated 17
  - spare part number 17, 62
- touchpad
  - gesture control 8
  - illustrated 17
  - removal 52
  - settings 8
  - spare part number 17
  - spare part numbers 52
- touchpad buttons
  - identifying 8, 9
- touchpad components 8
- touchpad gesture control, turning on 8
- touchpad light, identifying 8
- touchpad settings, adjusting 8
- touchpad zone, identifying 8
- touchpad, identifying 9
- transporting guidelines 22, 28
- traveling with the computer 14

**U**

- USB 10 Gbps port with HP Sleep and Charge, identifying 6
- USB door
  - removal 56
  - spare part numbers 56
- USB Type-C power connector and Thunderbolt port with HP Sleep and Charge and DisplayPort output, identifying 5

**V**

- vents, identifying 13
- video, product description 1

**W**

- wake-on-voice 7
- Windows
  - backup 69
  - recovery media 69
  - system restore point 69
- Windows key, identifying 12
- Windows tools, using 69
- wireless antennas
  - illustrated 19
  - spare part number 19
- wireless antennas, identifying 8
- wireless certification label 14
- wireless, product description 2
- WLAN antennas, identifying 8
- WLAN device 14
- WLAN label 14
- WLAN module
  - removal 47
  - spare part numbers 47
- workstation guidelines 22