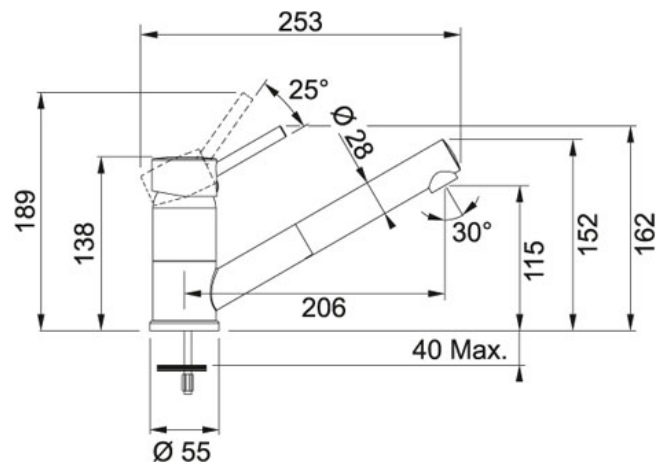


Pull Out Nozzle | 115.0297.488

FAMILY : Taps | SERIE : Sinta | MODEL : Pull Out Nozzle | FINISH : Chrome-Graphite | INSTALLATION TYPE : high pressure



TECHNICAL DATA

Version	Pull Out Nozzle
Tap Pressure	High Pressure
Tap Operation	Top Lever
Position of lever	Center
Tap rotation	120 °