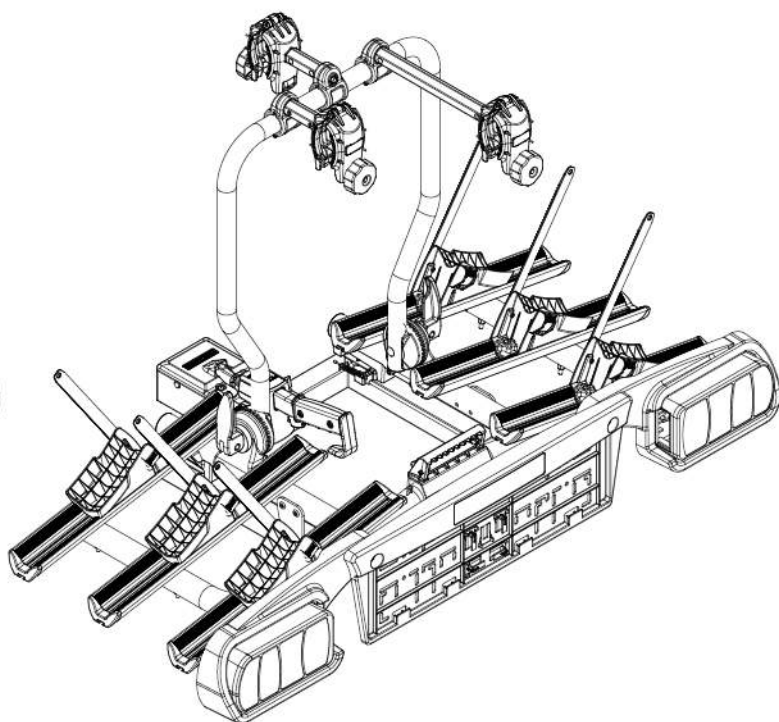
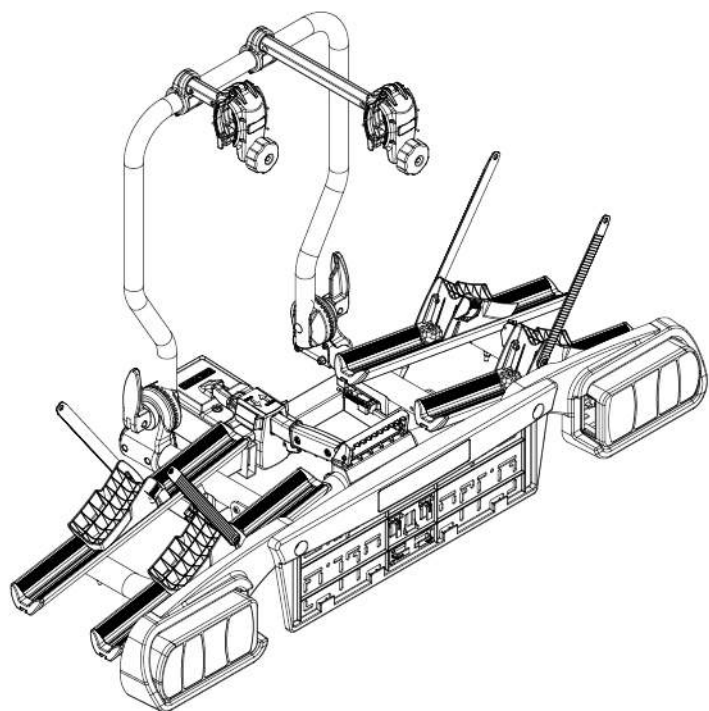



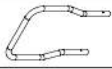















MENABO



















ALPHARD

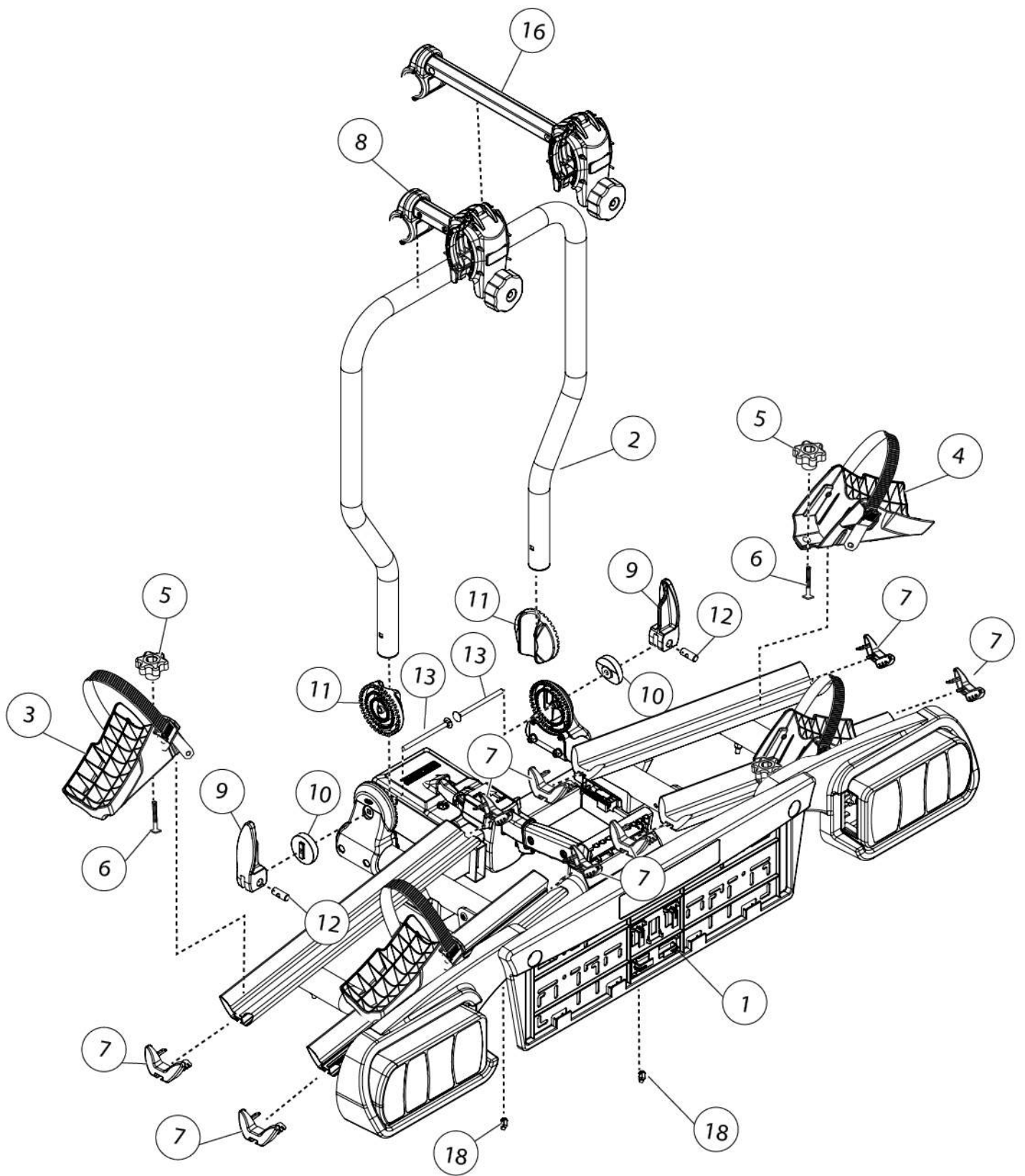
ALPHARD PLUS

I	Istruzioni per il montaggio	RU	Инструкции по установке
GB	Fitting instructions	CZ	Návod na montáž
D	Montageanleitung	SK	Návod na montáž
F	Instructions de montage	SLO	Navodila za pritrjevanje
E	Instrucciones de montaje	HR	Uputa za sastavljanje
NL	Montage-instructies	HU	A felszerelés módja
PT	Instruções de Montagem	GR	Οδηγίες συναρμολόγησης
S	Monteringsanvisning	DK	Monteringsvejledning
FIN	Asennusohje	RO	Instrucțiuni de montare
EST	Paigaldusjuhend	TK	Uydurma talimat
LAT	Stiprināšanas instrukcija	DK	Montering instruktion
LIT	Pritvirtinimo instrukcijos	N	Monteringsveiledning
PL	Instrukcja montażu	中文	裝修指導
		العربية	تعليمات التحميل



N	1 Componenti (Inclusi) 4 Components (Included) 7 Composants (Comprises) 13 Die Komponenten (Im Lieferumfang enthalten) 5 Componentes (Incluido) 10 Компоненты (в комплекте)		Q
1			1
2			1
3	 SX		2
4	 DX		2
5			4
6	 6x25		4
7			8
8			1
9			2
10			2
11			2
12			2
13	 M6x70		2
14	 MT 2,5		1
15			1
16			1
18			2

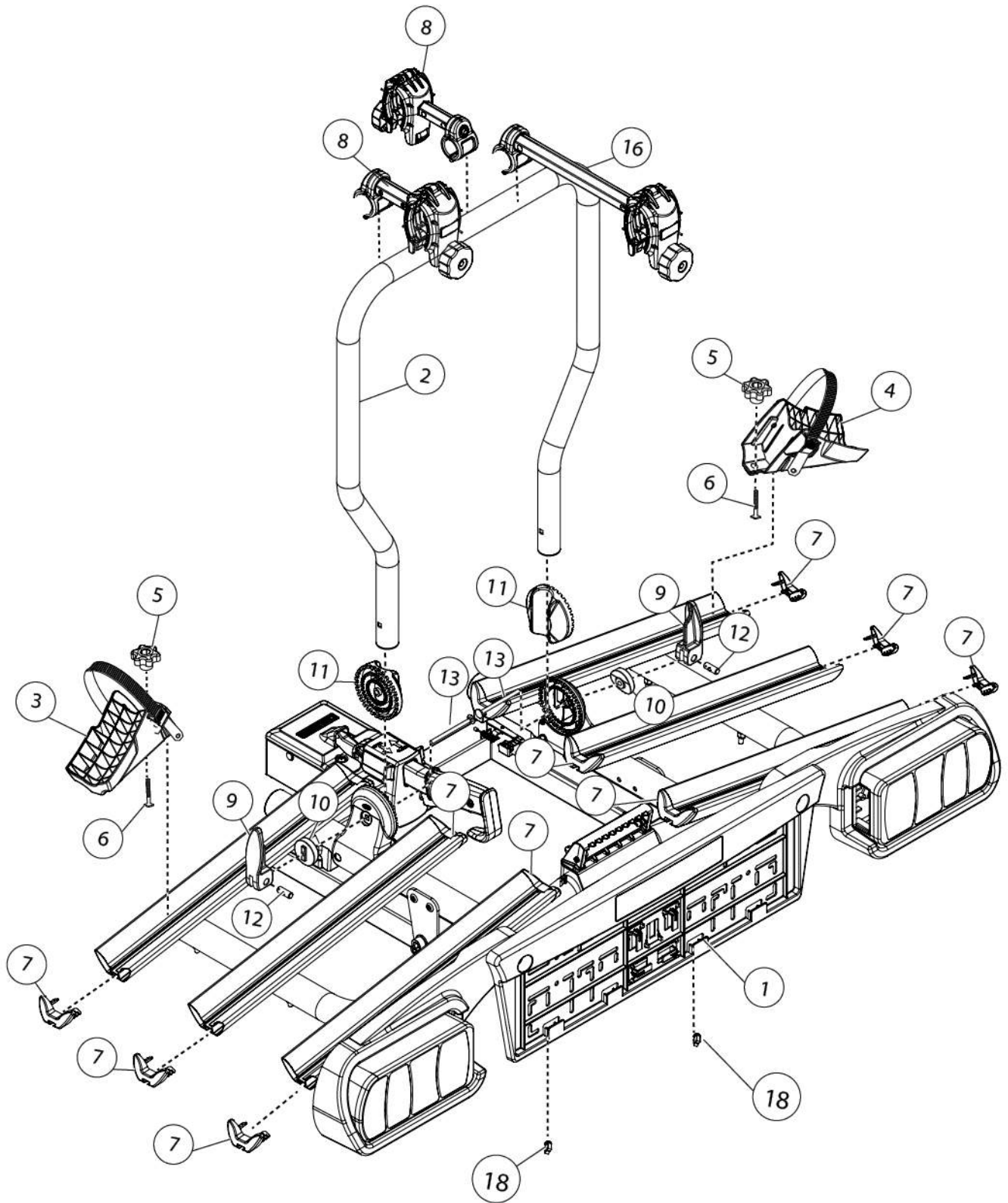
N	1 Ricambi (A Richiesta) 8 Spare Parts (Made to order) 7 Pièces de rechange (Sur commande) 13 E Teile (auf Anfrage) 5 Piezas de recambio (Previa solicitud) 10 Запасные части (по запросу)		Codice Code Code Code Código код
3	 SX	700017400000	
4	 DX		
5		700011000000	
6	 6x25		
7		700021500000	
8		700003200000	
9		700021600000	
10		700023100000	
11		700007000000	
12		700021600000	
13	 M6x70	700002300000	
14	 MT 2,5	700001100000	
16		700003100000	
21		700021200000	
22	 SX	700021300000	
23	 DX	700021400000	
24		700013700000	
25		700003300000	





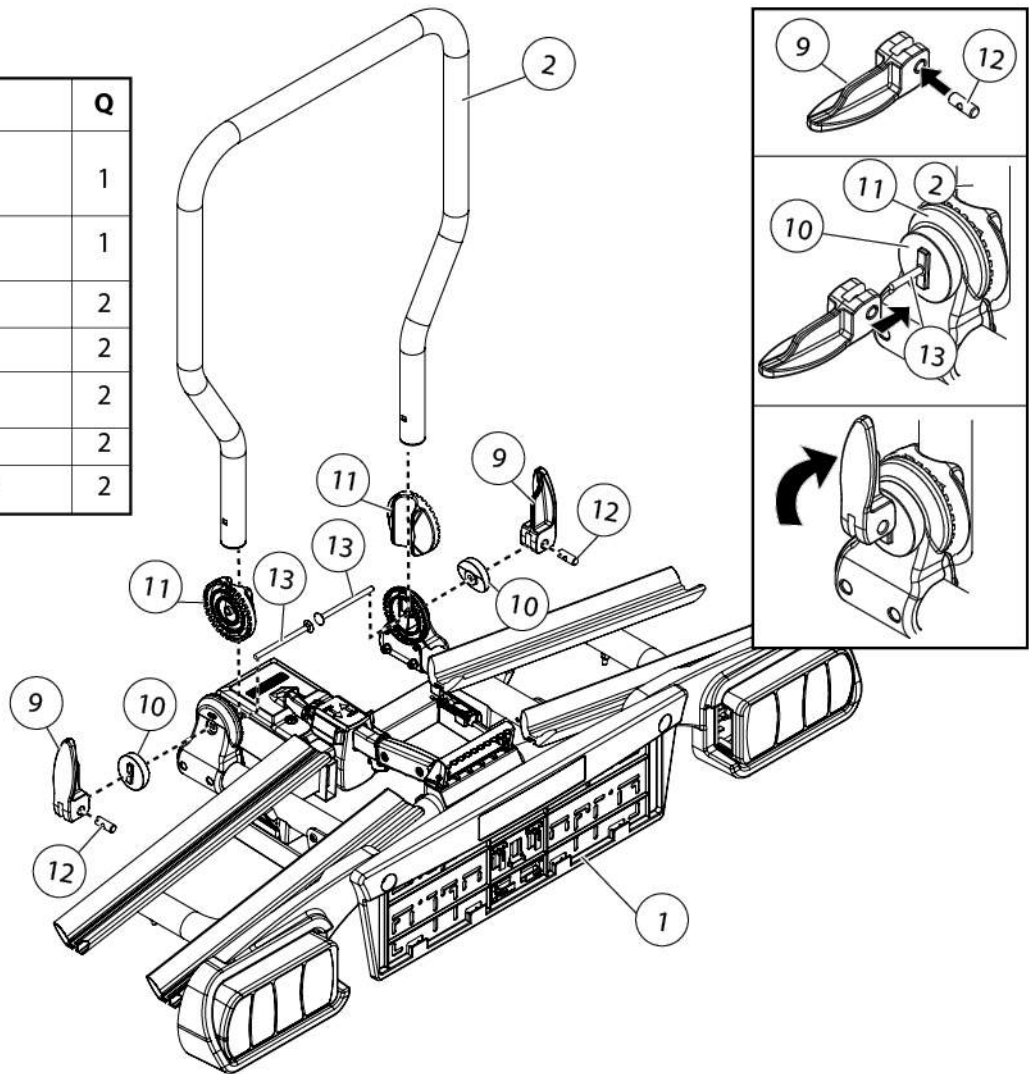
N	IT Componenti (Inclusi) GB Components (Included) F Composants (Comprises) DE Die Komponenten (Im Lieferumfang enthalten) E Componentes (Incluido) RU Компоненты (в комплекте)	Q
1		1
2		1
3	SX	3
4	DX	3
5		6
6	6x25	6
7		12
8		2
9		2
10		2
11		2
12		2
13	M6x70	2
14	MT 2,5	1
15		1
16		1
17		1
18		2
19	MT 5	1

N	IT Ricambi (A Richiesta) GB Spare Parts (Made to order) F Pièces de rechange (Sur commande) DE E Teile (auf Anfrage) E Piezas de recambio (Previa solicitud) RU Запасные части (по запросу)	Codice Code Code Código код
3	SX	700017400000
4	DX	
5		700011000000
6	6x25	
7		700021500000
8		700003200000
9		700021600000
10		700023100000
11		700007000000
12		700021600000
13	M6x70	700002300000
14	MT 2,5	700001100000
16		700003100000
19	MT 5	700004800000
21		700021200000
22	SX	700021300000
23	DX	700021400000
24		700013700000
25		700003300000



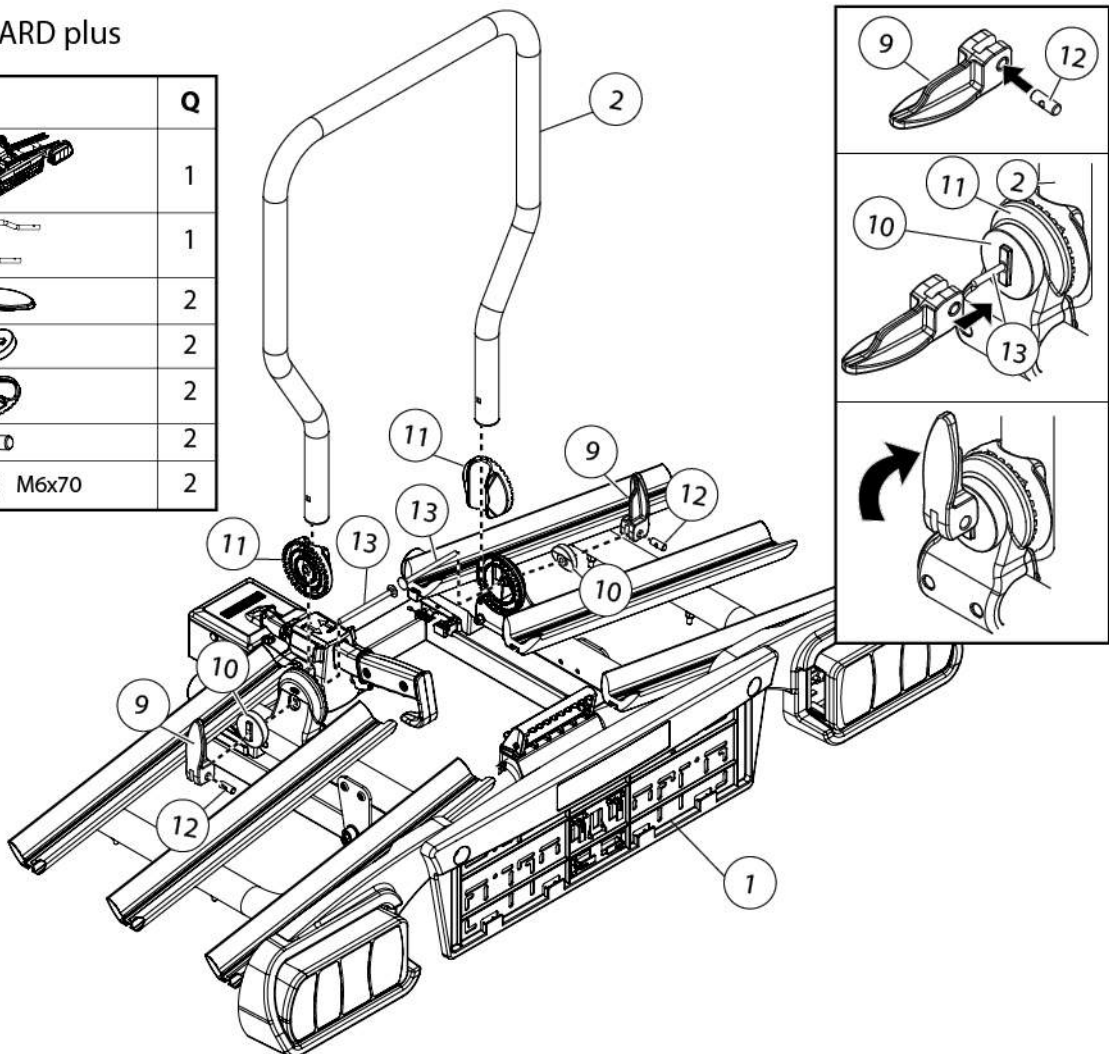
1 ● ALPHARD

N		Q
1		1
2		1
9		2
10		2
11		2
12		2
13		2







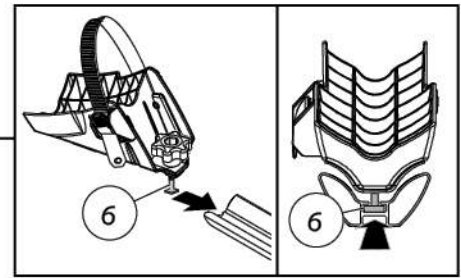
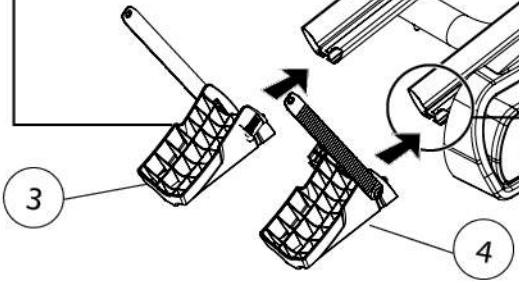
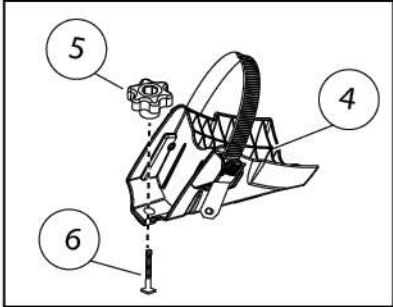
2 ●● ALPHARD plus

N		Q
1		1
2		1
9		2
10		2
11		2
12		2
13		2







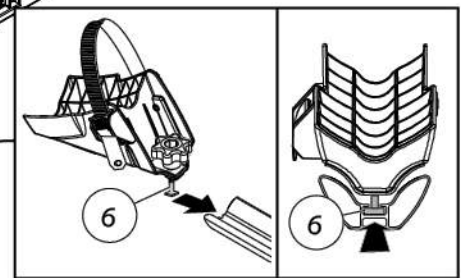
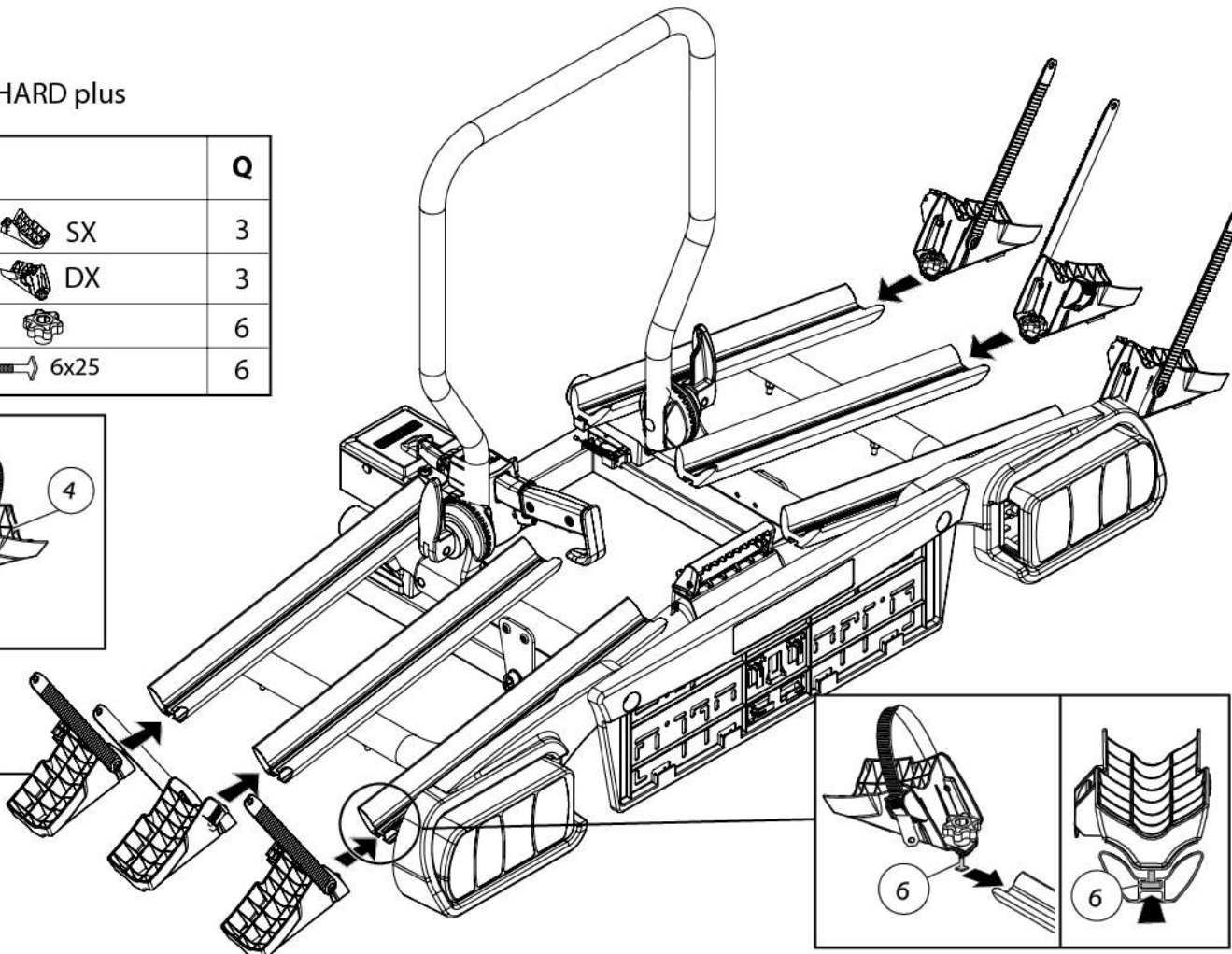
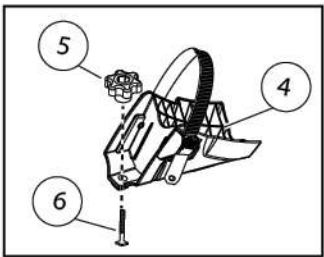
3 ● ALPHARD

N		Q
3	 SX	2
4	 DX	2
5		4
6	 6x25	4



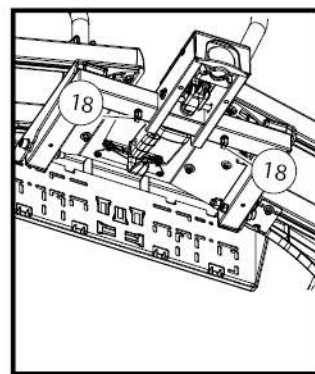
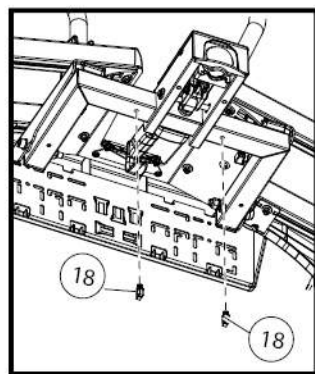
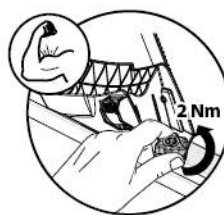
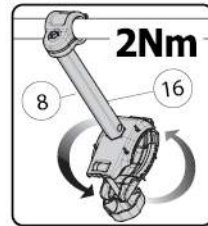
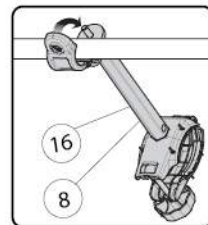
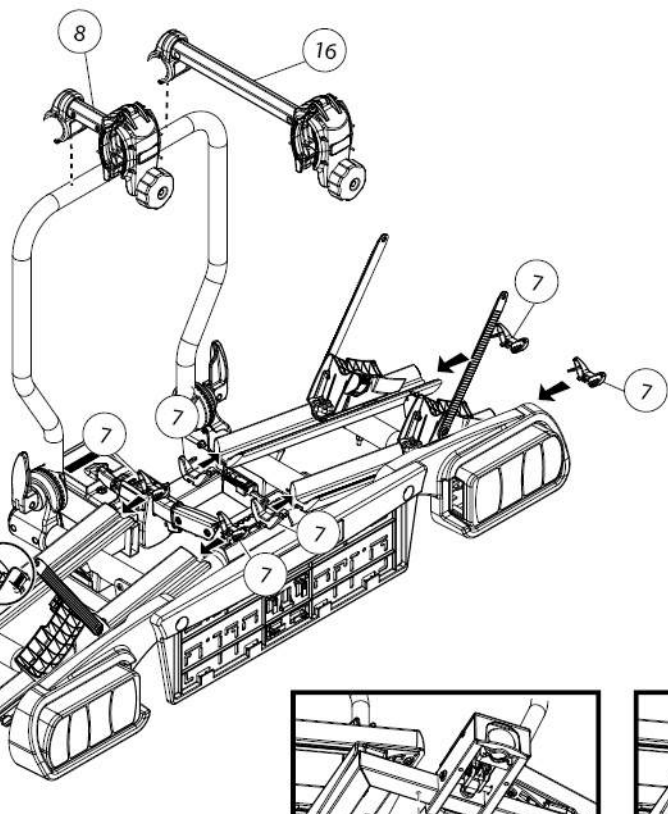
4 ●● ALPHARD plus

N		Q
3	 SX	3
4	 DX	3
5		6
6	 6x25	6



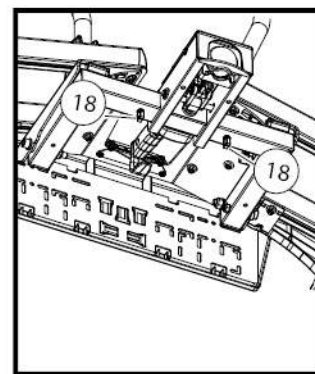
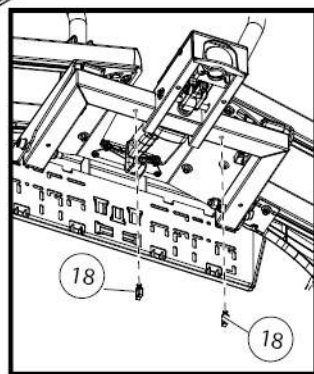
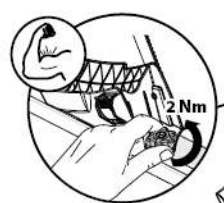
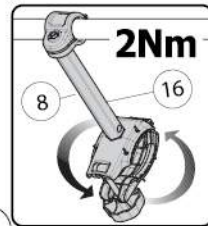
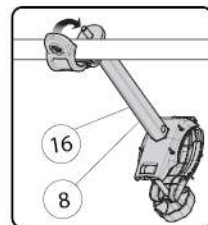
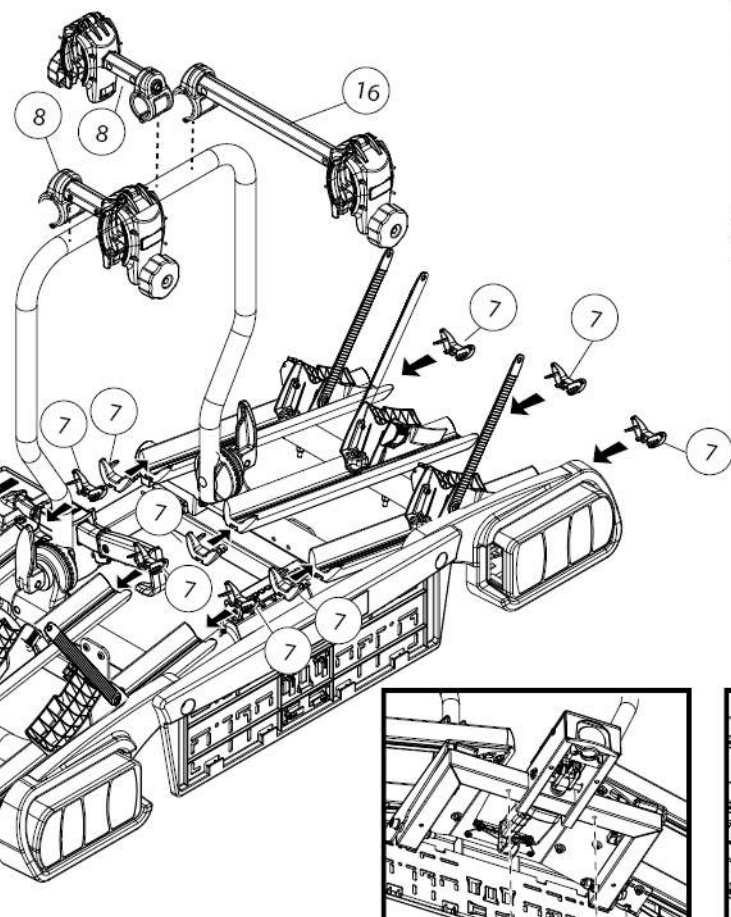
5 ● ALPHARD

N		Q
7		8
8		1
16		1
18		2

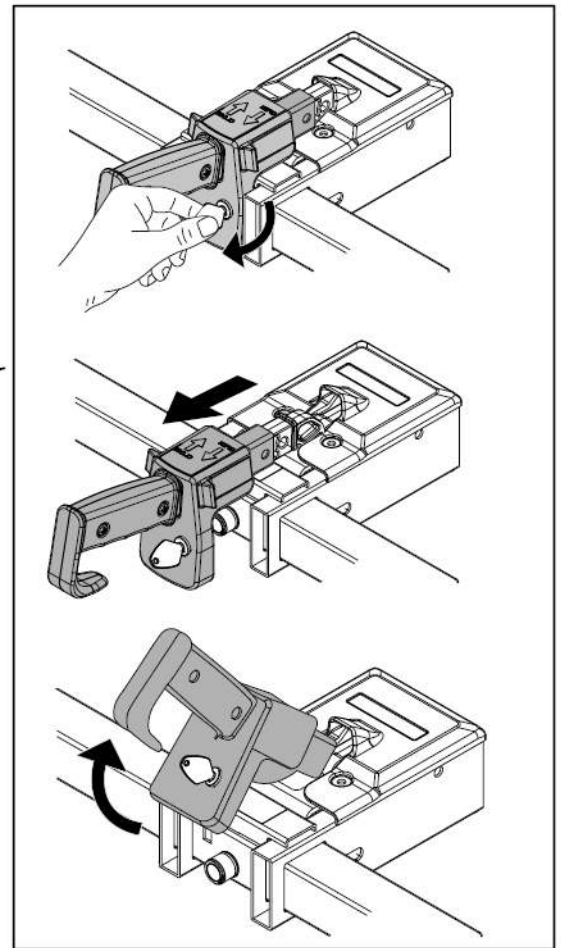
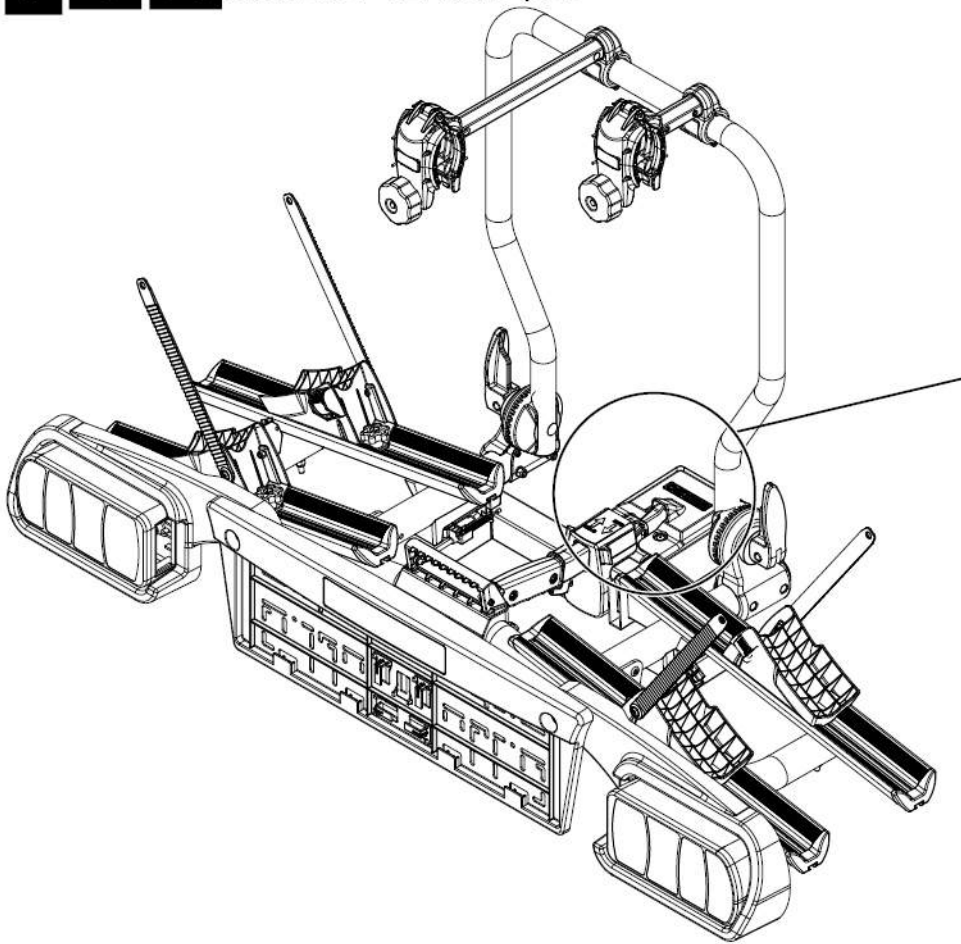


6 ●● ALPHARD plus

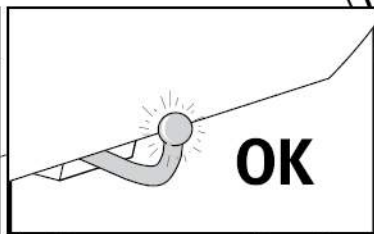
N		Q
7		8
8		2
16		1
18		2




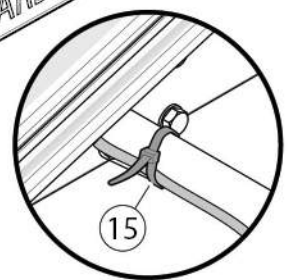
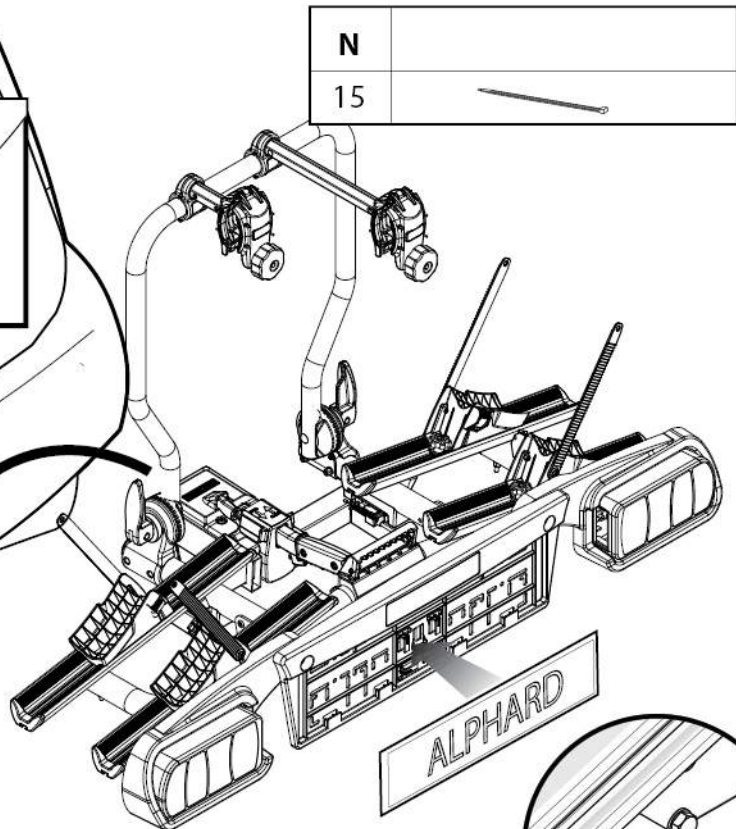
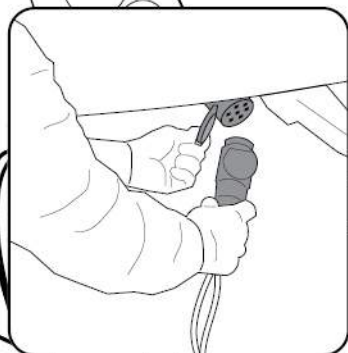
7 ● ● ALPHARD / ALPHARD plus

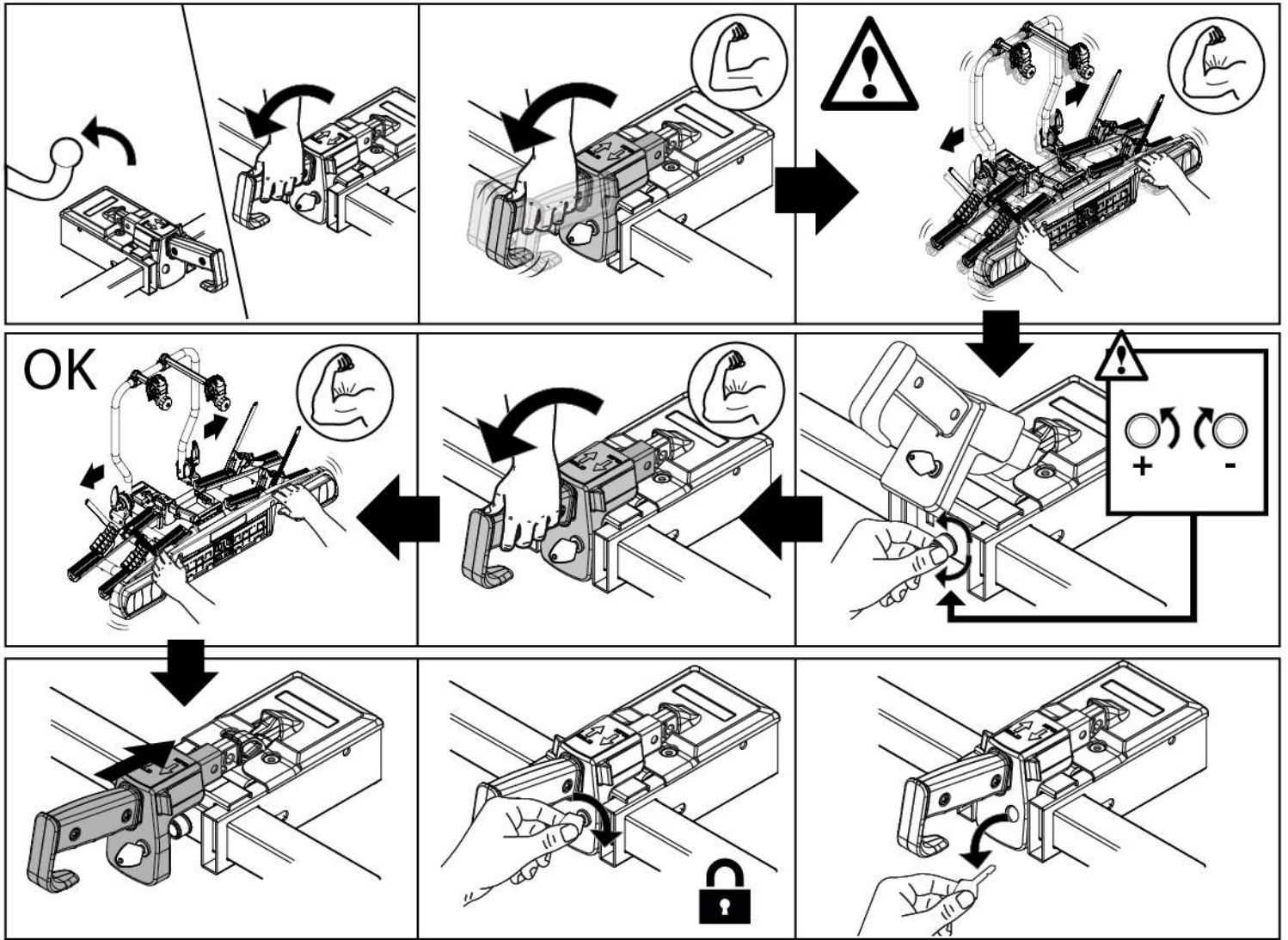


8 ● ● ALPHARD / ALPHARD plus





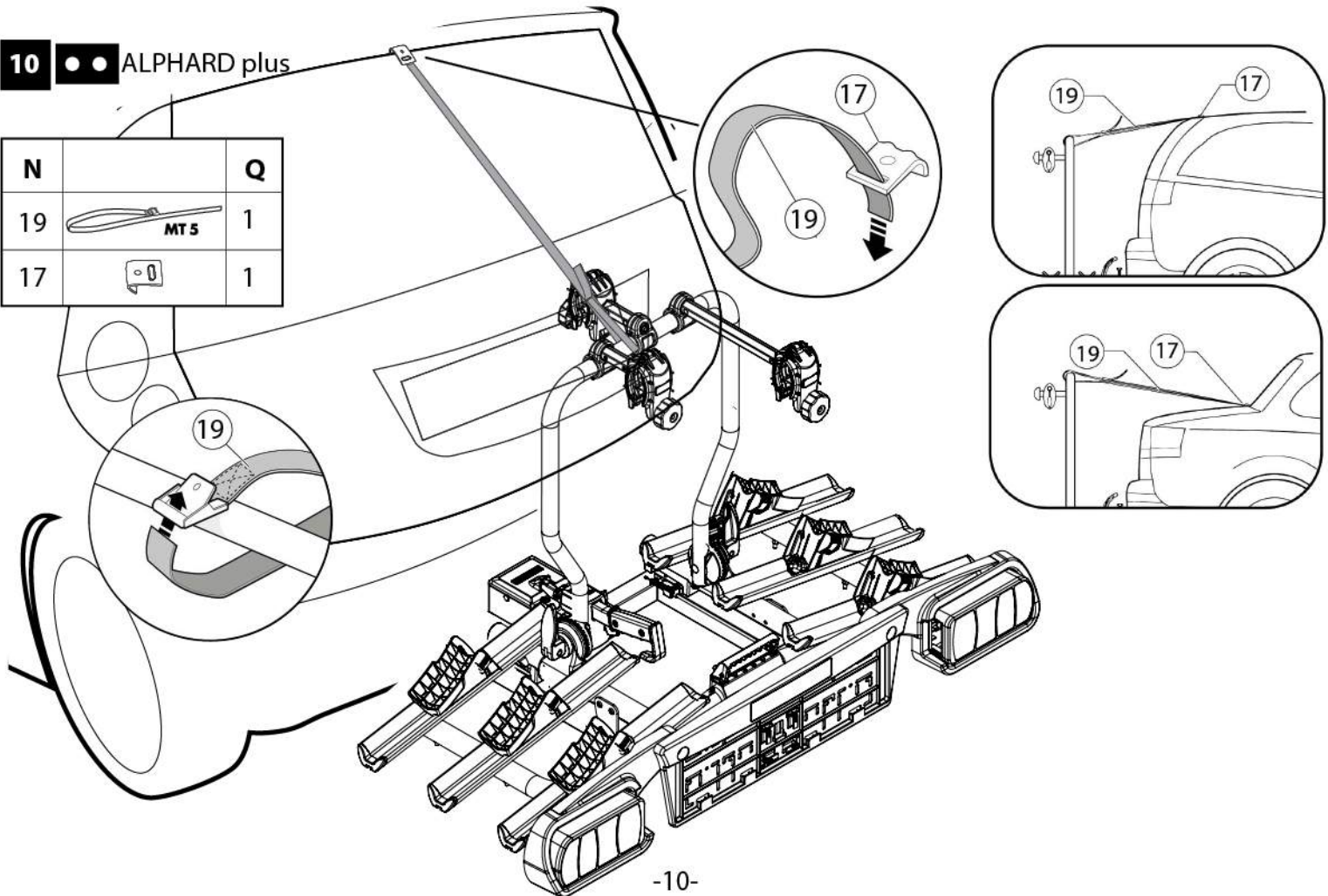
N		Q
15		1



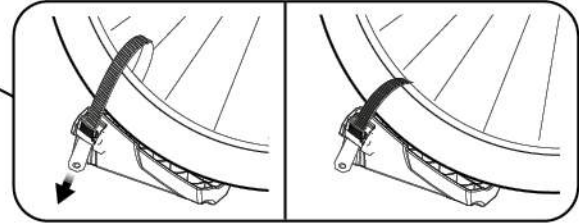
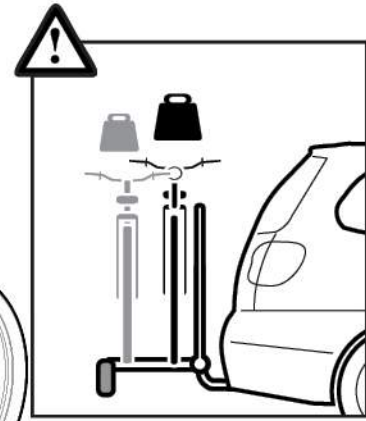
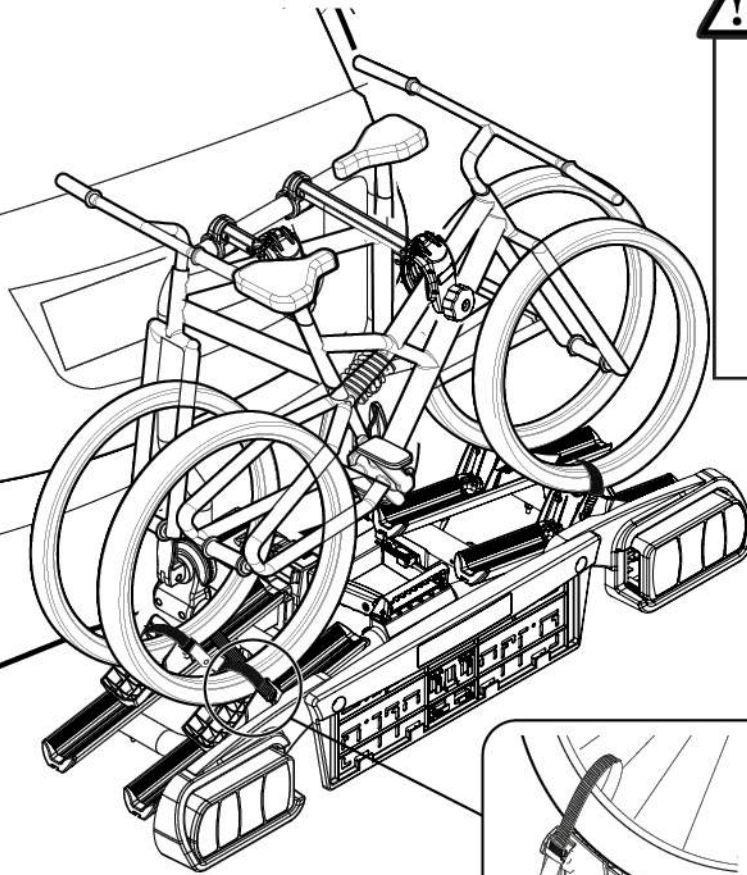
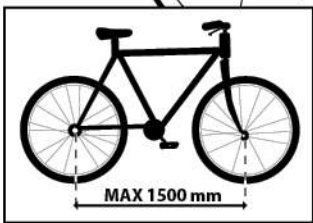
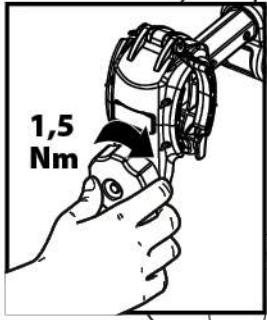


10 ●● ALPHARD plus

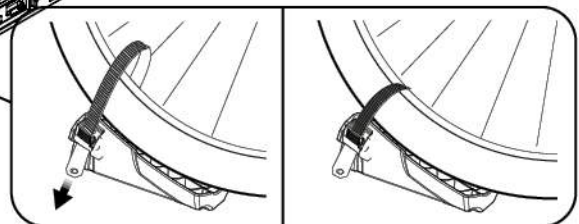
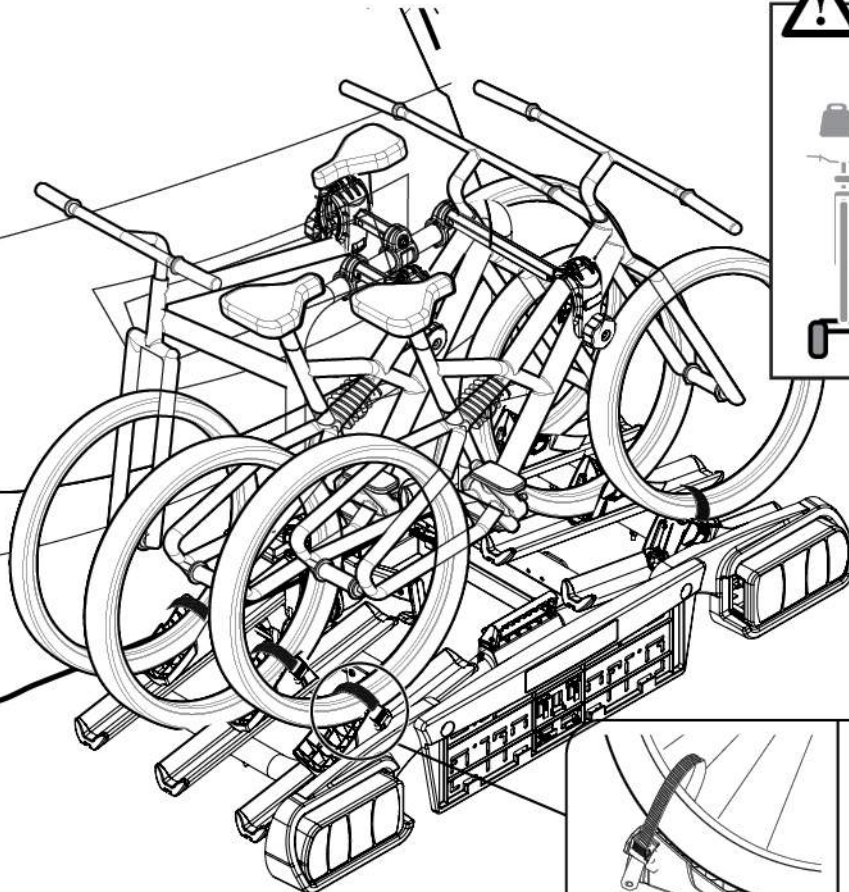
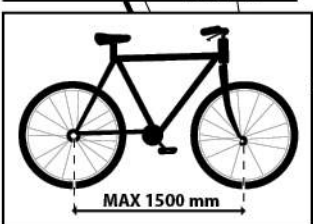
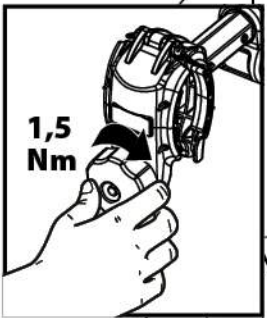
N		Q
19	 MT5	1
17		1



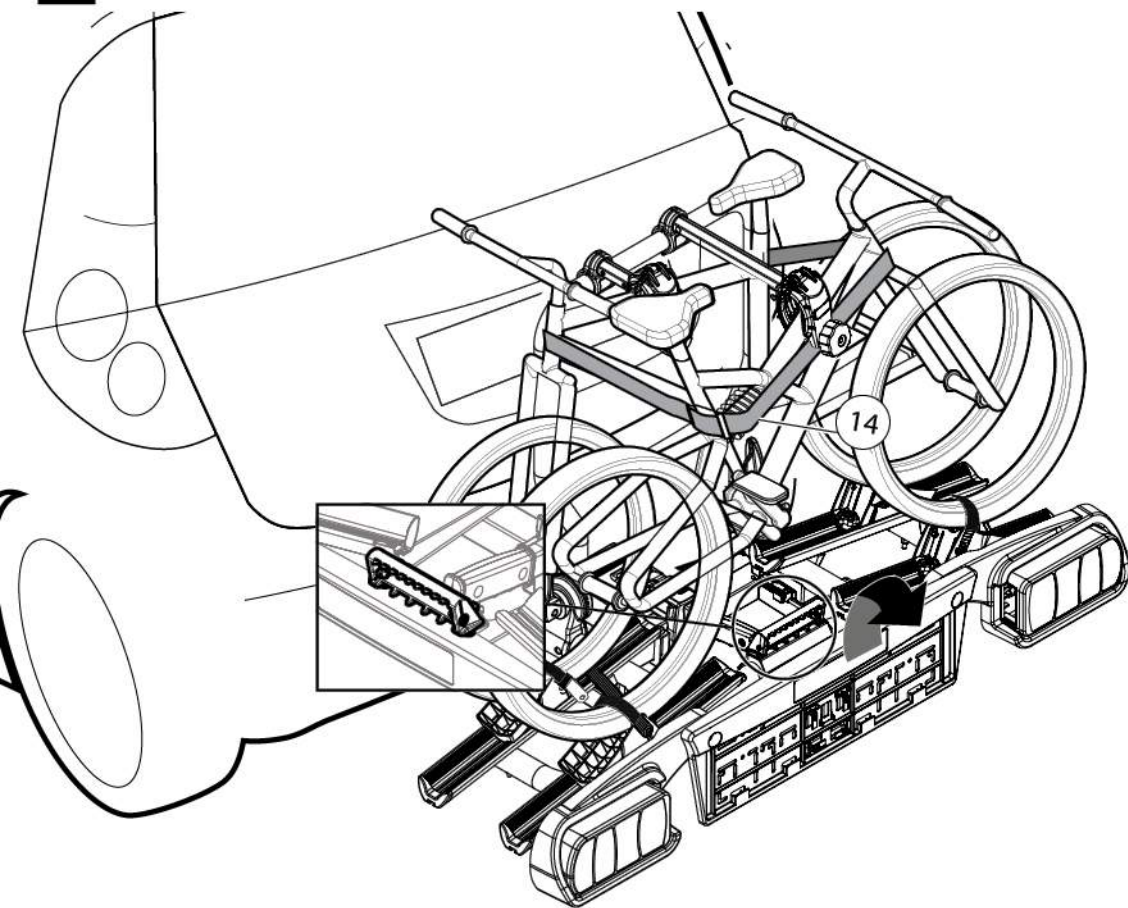
11 ● ALPHARD




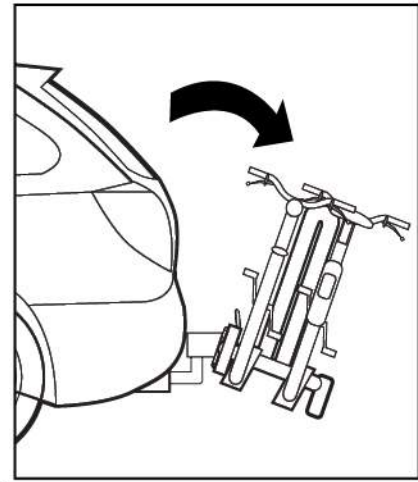
12 ●● ALPHARD plus



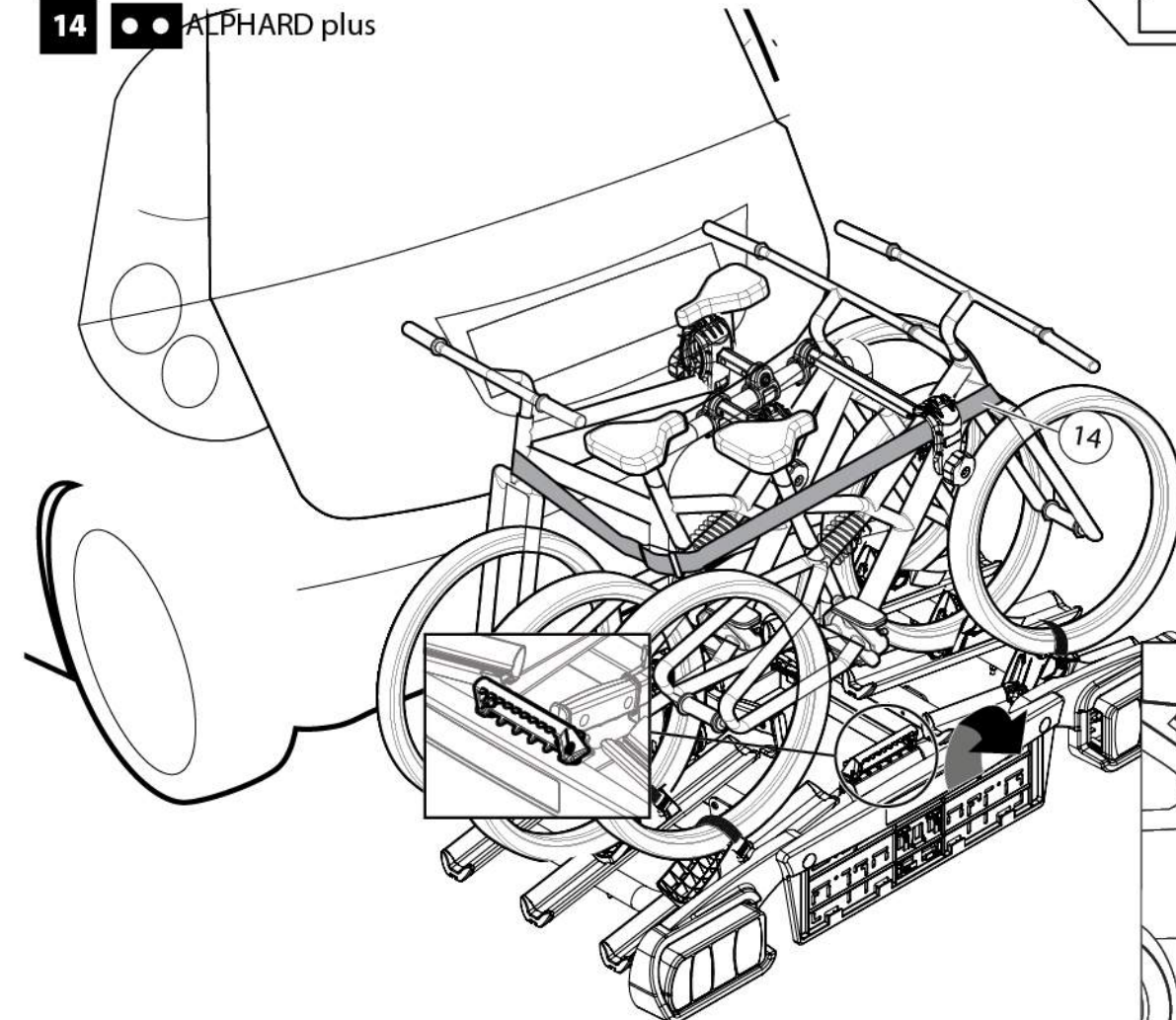
13 ● ALPHARD




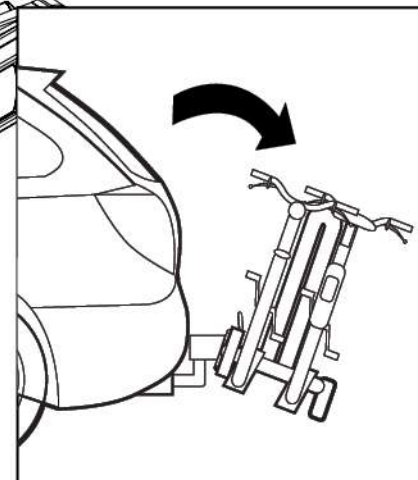
N		Q
14	 MT 2,5	1

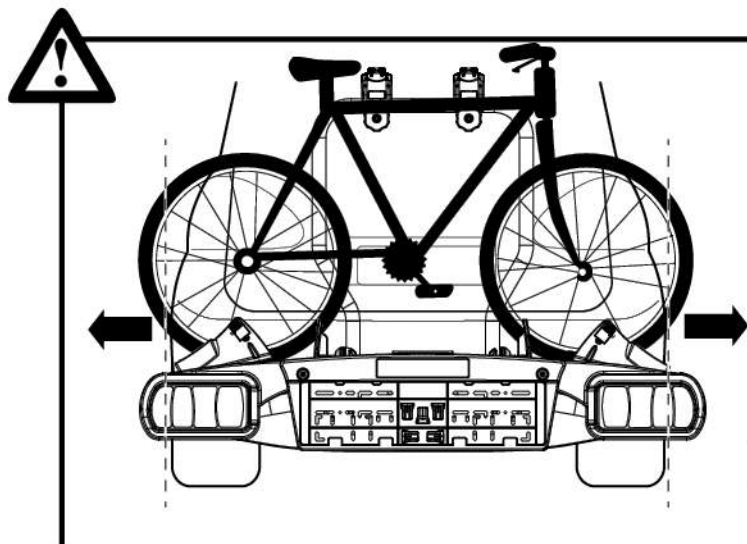
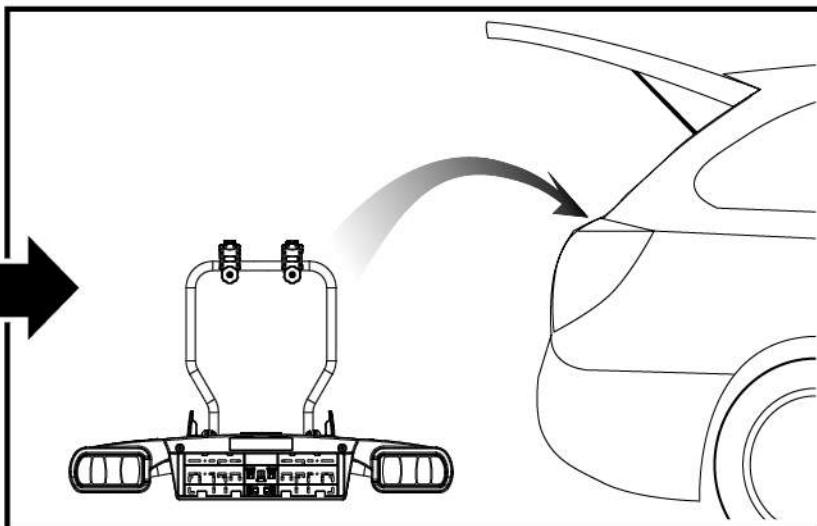
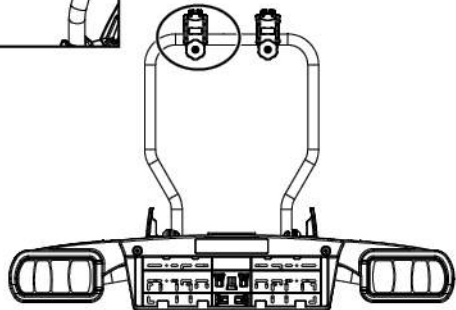
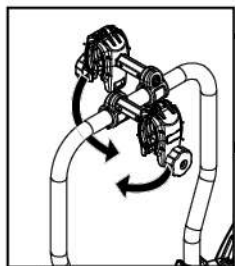
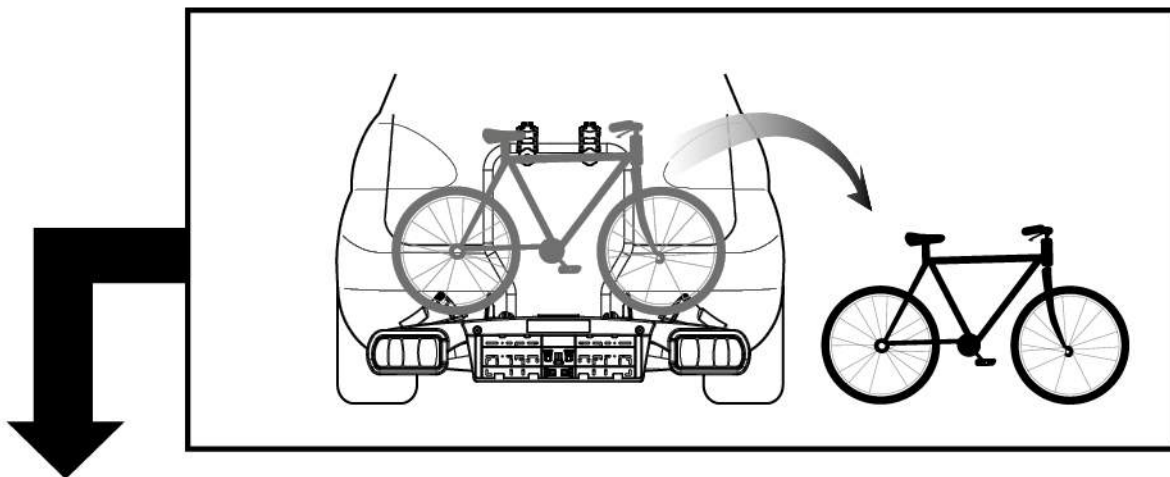


14 ●● ALPHARD plus

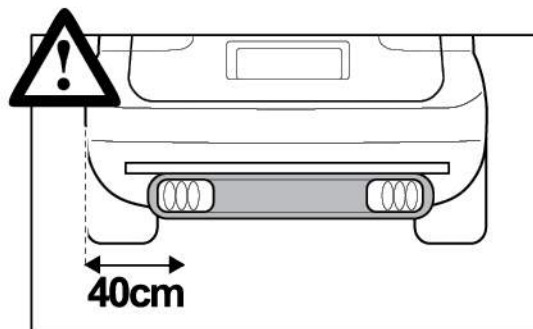
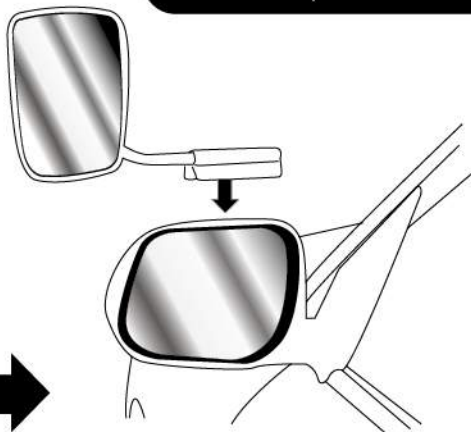


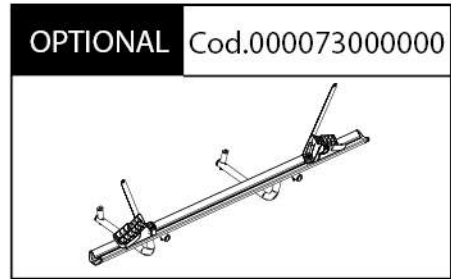
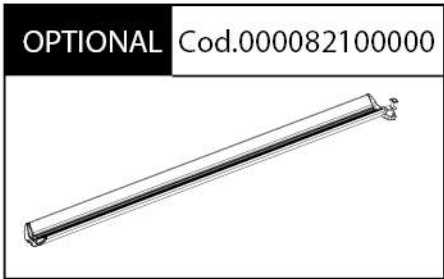
N		Q
14	 MT 2,5	1



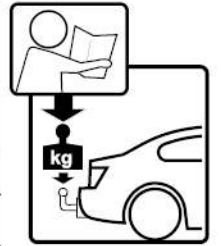


OPTIONAL | Cod.00008310000





	ALPHARD	MAX 25 Kg 2x	ALPHARD PLUS	MAX 15 Kg 3x
50kg		MAX 33,8 kg		MAX 31,6 kg
60kg	16,20kg	MAX 43,8 kg	18,40kg	MAX 41,6 kg
>60kg		MAX 50 kg		MAX 50 kg



MENABO
F.lli Menabò S.r.l.
Via 8 Marzo, 3
I - 42025 Cavriago (RE)
Tel. +39-0522/942840
Fax. +39-0522/942948
e-mail: info@flli-menabo.it
Web-site: www.flli-menabo.it



Cod. Art.	Cod. Istr.	Data	Creato da	Approvato da
000077400000 000082800000	500012000000	20/03/2015	NP	AS