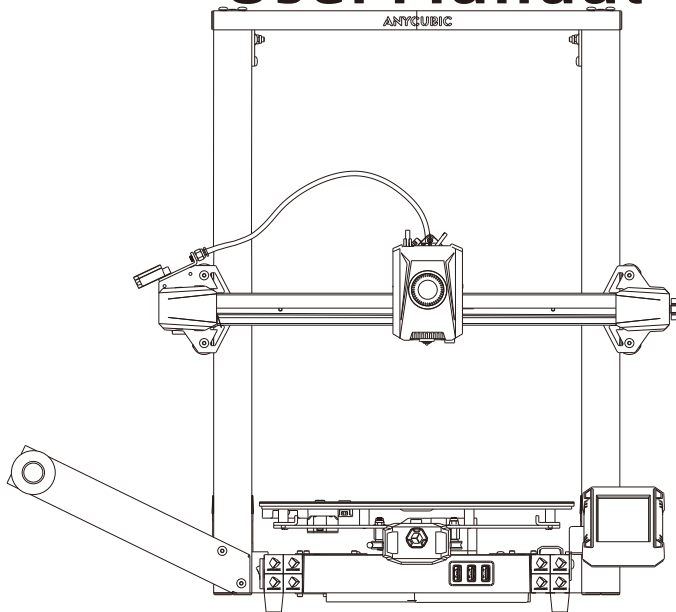




# Anycubic Kobra 2 Plus

## User Manual



The product picture is for reference only. Please refer to the actual product.



Dear customer,

Thank you for choosing **ANYCUBIC** products.

Maybe you are familiar with 3D printing technology or have purchased **ANYCUBIC** printers before, but we still highly recommend that you read this manual carefully. The installation techniques and precautions in this manual can help you avoid any unnecessary damage or frustration.

Please visit <https://support.anycubic.com/> to contact us if you have any question. You can also gain more information such as software, videos, models from the website.



**ANYCUBIC** APP



Help center

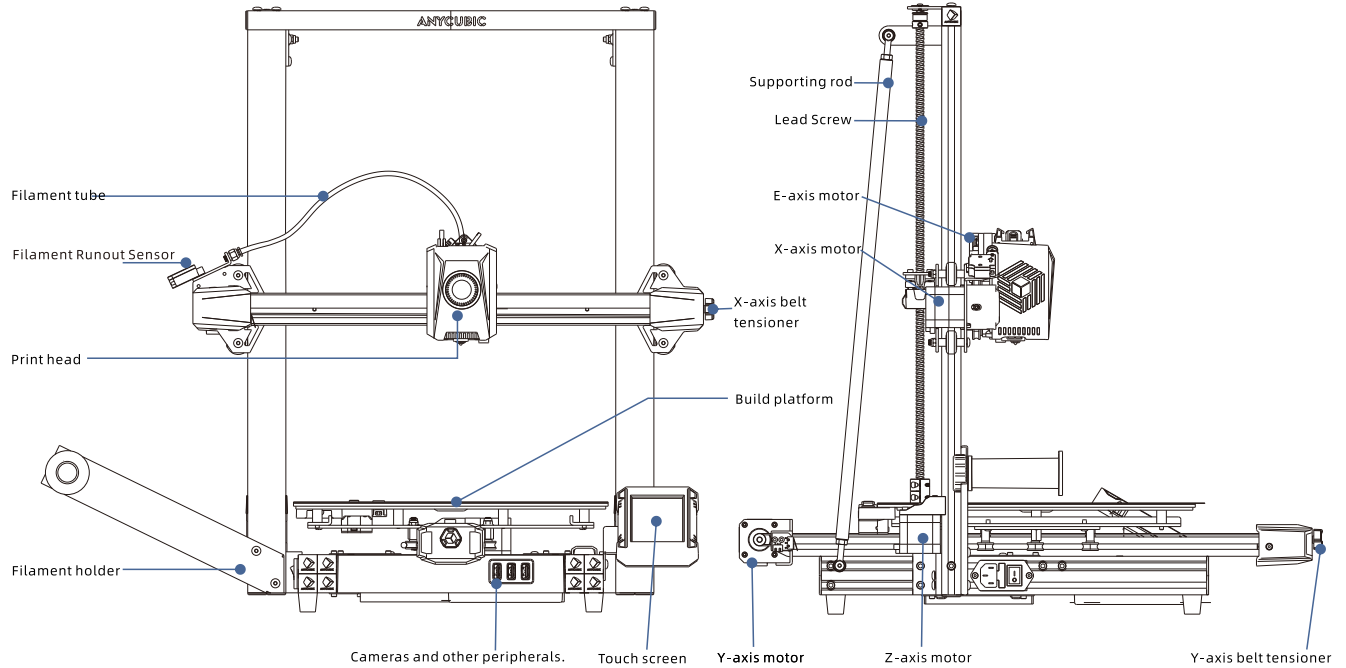


**ANYCUBIC** Support Center

Team **ANYCUBIC**

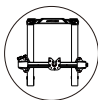
Copyrighted by "Shenzhen Anycubic Technology Co., Ltd ", all rights reserved.

# Product Overview

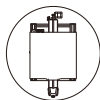


# Packing List

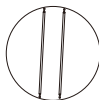
The following pictures are for reference only. Please refer to the actual object.



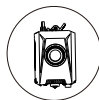
1



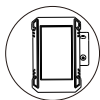
2



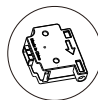
3



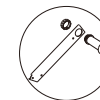
4



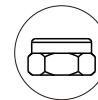
5



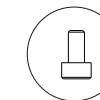
6



7



Locknut (2pcs)



M3\*6 (4pcs)



M5\*20 (4pcs)



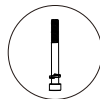
M5\*25(2pcs)



M5\*30 (4pcs)



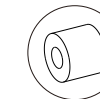
M5\*35 (2pcs)



M5\*45 (2pcs)



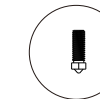
Washer (2pcs)



Thick washer (2pcs)



U-DISK(1pcs)



Spare nozzle  
(1pcs)



Power cord  
(1pcs)



Cable fixing clip  
(3pcs)



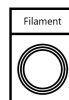
4.0/3.0/2.5/2.0/1.5



Wrench  
(1 set)



Nozzle Cleaner  
(1pcs)



Filament



Grease

## Technical Specification

### Printing

Technology:FDM (Fused Deposition Modeling)  
Build Size:320 mm (L) × 320 mm (W) × 400mm (H)  
Layer Thickness:0.05 - 0.3 mm  
Positioning Accuracy:X / Y / Z 0.0125 / 0.0125 / 0.0025 mm  
Extruder Quantity:Single  
Nozzle Diameter:0.4 mm  
Supported Materials:PLA/TPU/PETG/ABS etc

### Temperature

Ambient Operating Temperature:8 °C - 40 °C  
Operational Extruder Temperature:Max 260 °C  
Operational Print Bed Temperature :Max 90 °C

### Software

Slicing Software:AC Slicer/Cura/PrusaSlicer  
Software Input Formats: .STL/.OBJ  
Software Output Formats:GCode  
Connectivity:U-DISK,AC Cloud

### Electrical

Power Input:110 V / 220 V AC, 50 / 60 Hz  
Rated Power:400 W

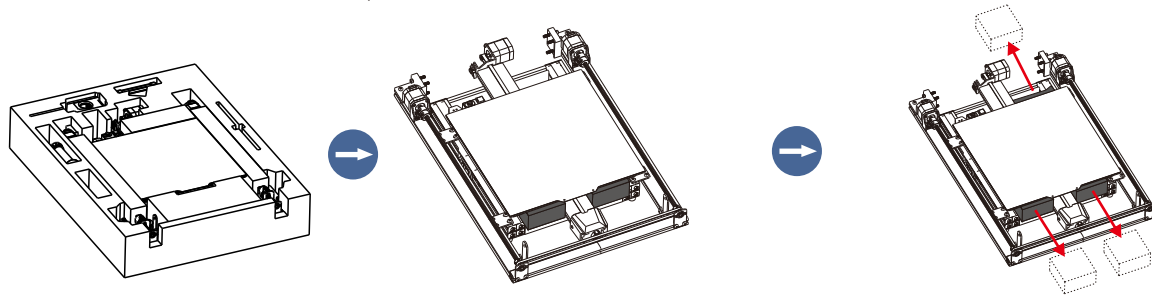
### Physical Dimensions

Printer Dimensions:564mm (L) × 605 mm (W) × 630 mm (H)  
Net Weight:~13 kg

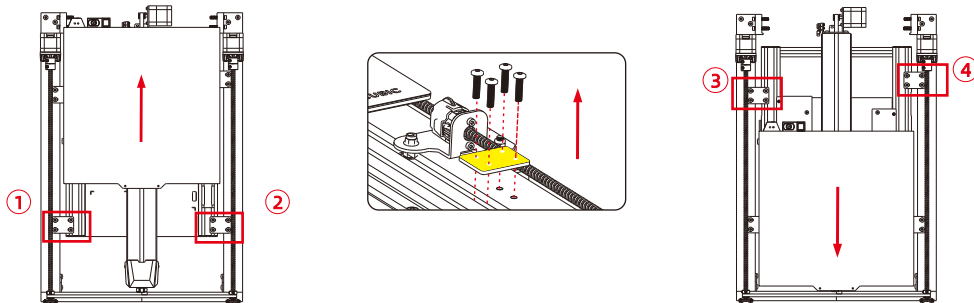
# Machine Installation

## 01 Unboxing

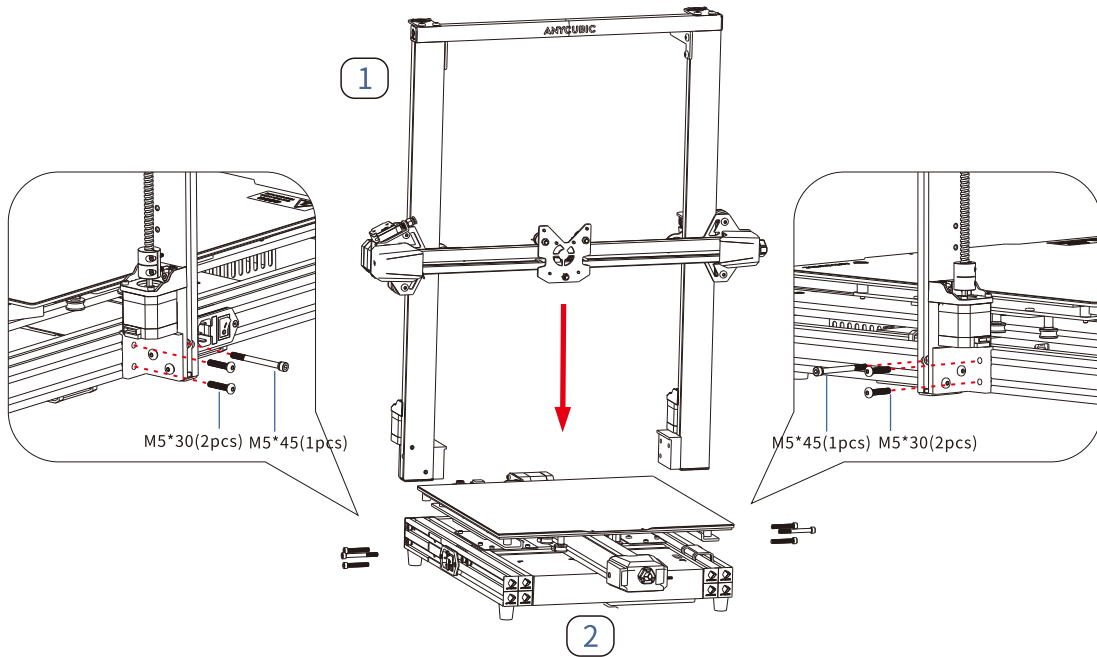
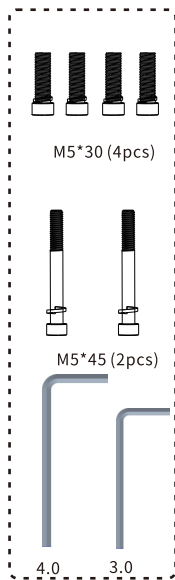
Step 1: Remove all the accessories from the foam, then take out the components of the gantry frame and base, and remove the foam located at the bottom of the platform.



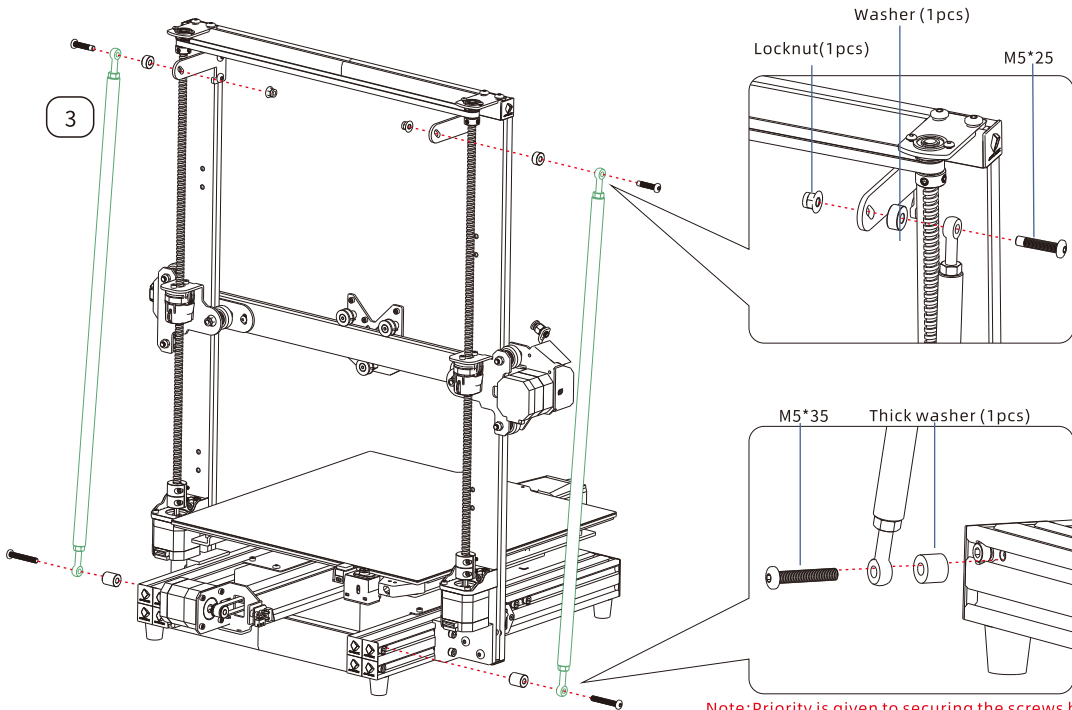
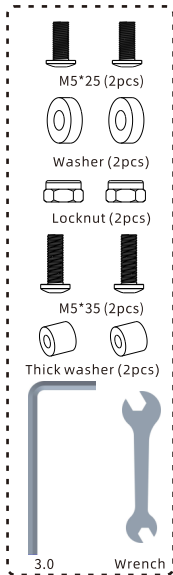
Step 2: Remove the 4 fixing plates shown in the diagram, and then separate the gantry frame and the base.



## 02 Install the gantry frame

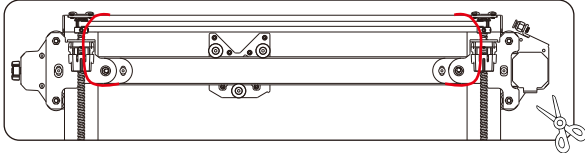


### 03 Install the support rod

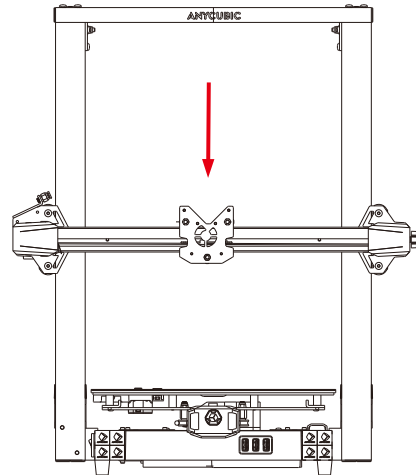
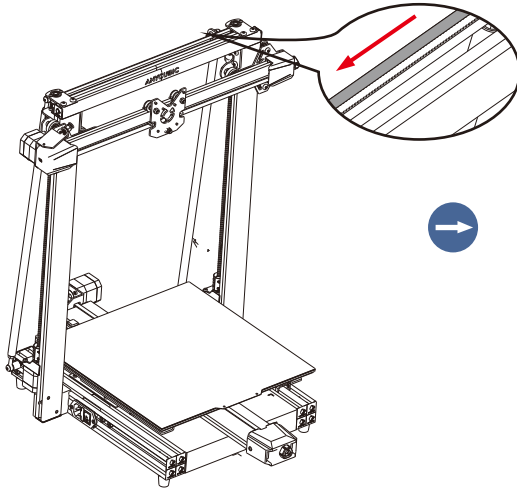


## 04 Install the print head

Step 1: Remove the excess zip ties from the gantry frame.

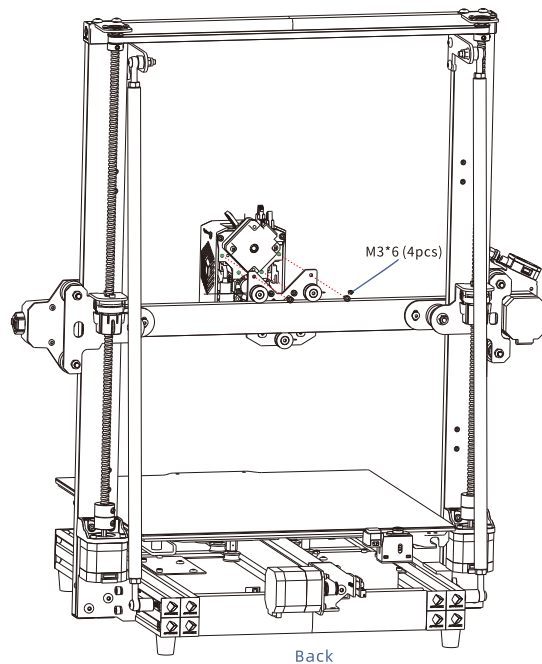
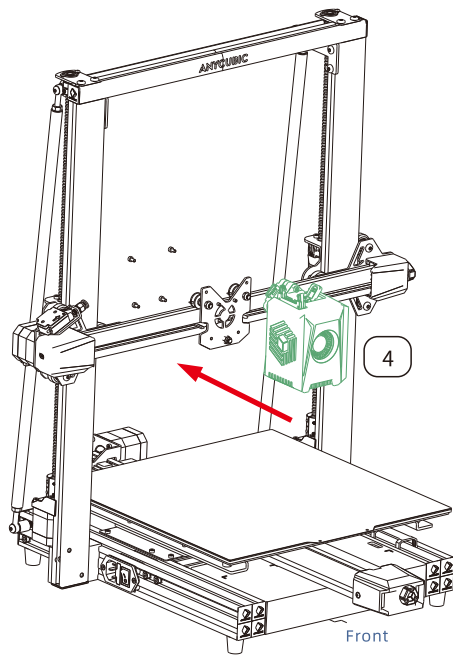
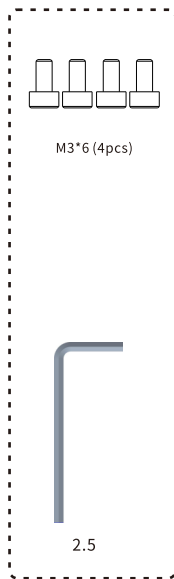


Step 2: Pull the belt in the direction indicated in the diagram to lower the height of the X-axis.

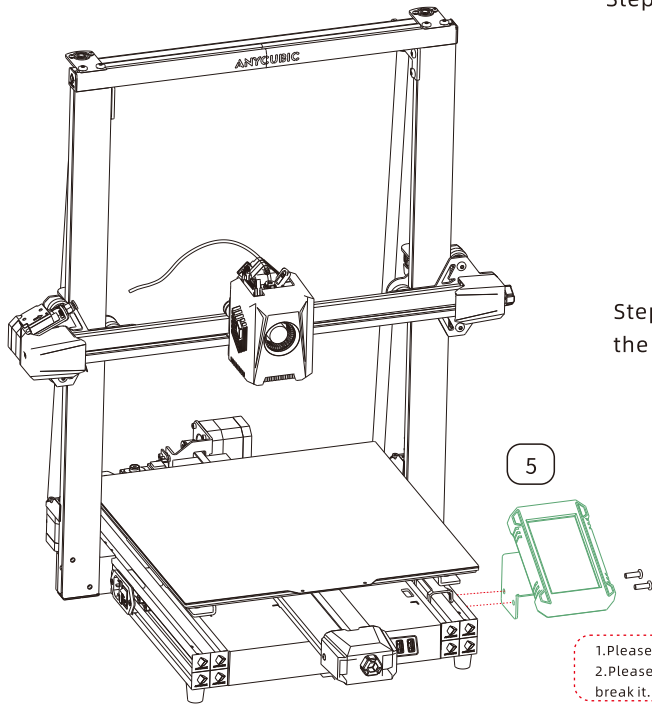


## 04 Install the print head

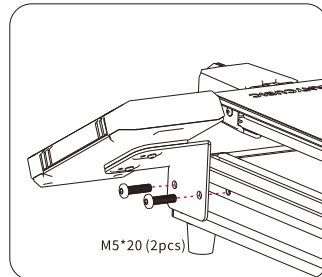
Step 3: Secure the print head with screws.



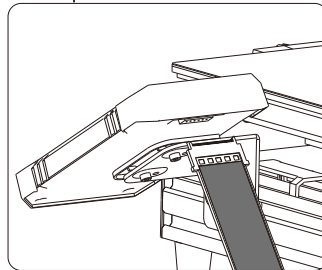
## 05 Install the screen



Step 1: Secure the screen with screws.



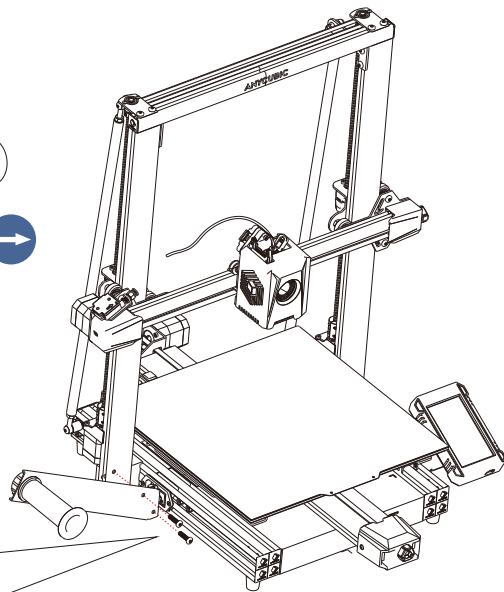
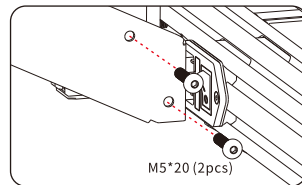
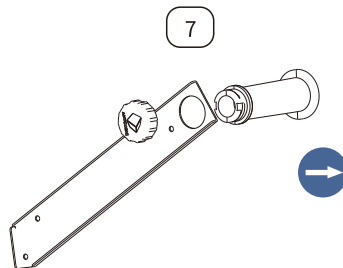
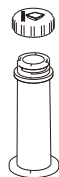
Step 2: Insert the FPC into the port by pressing the terminal as pictured.



1. Please do not plug or unplug the connecting cable while the power is on.
2. Please handle the ribbon cable with care and be cautious not to bend or break it.

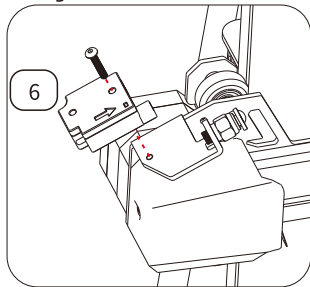


## 06 Install the filament holder

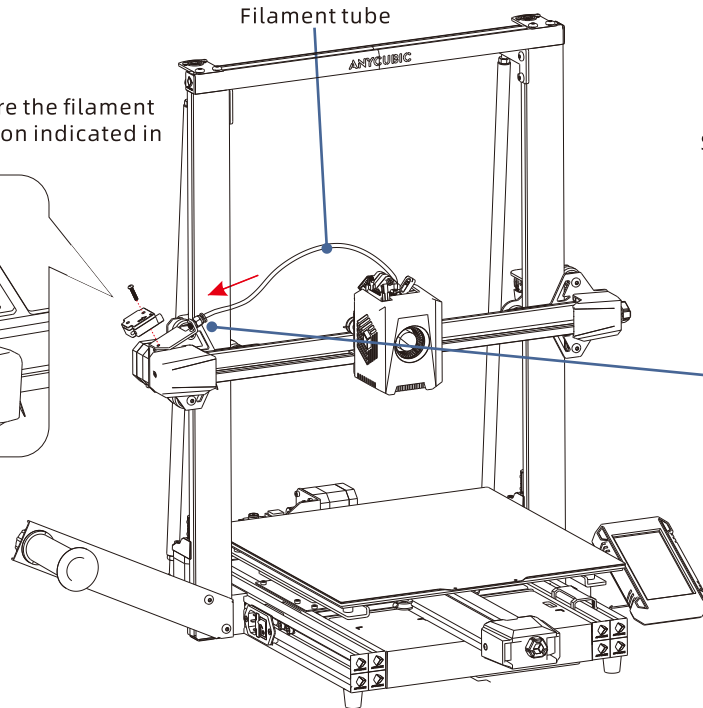


## 07 Install the filament runout sensor

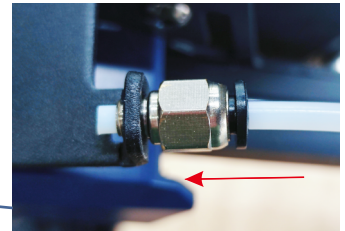
Step 1: Use screws to secure the filament runout sensor in the position indicated in the diagram.



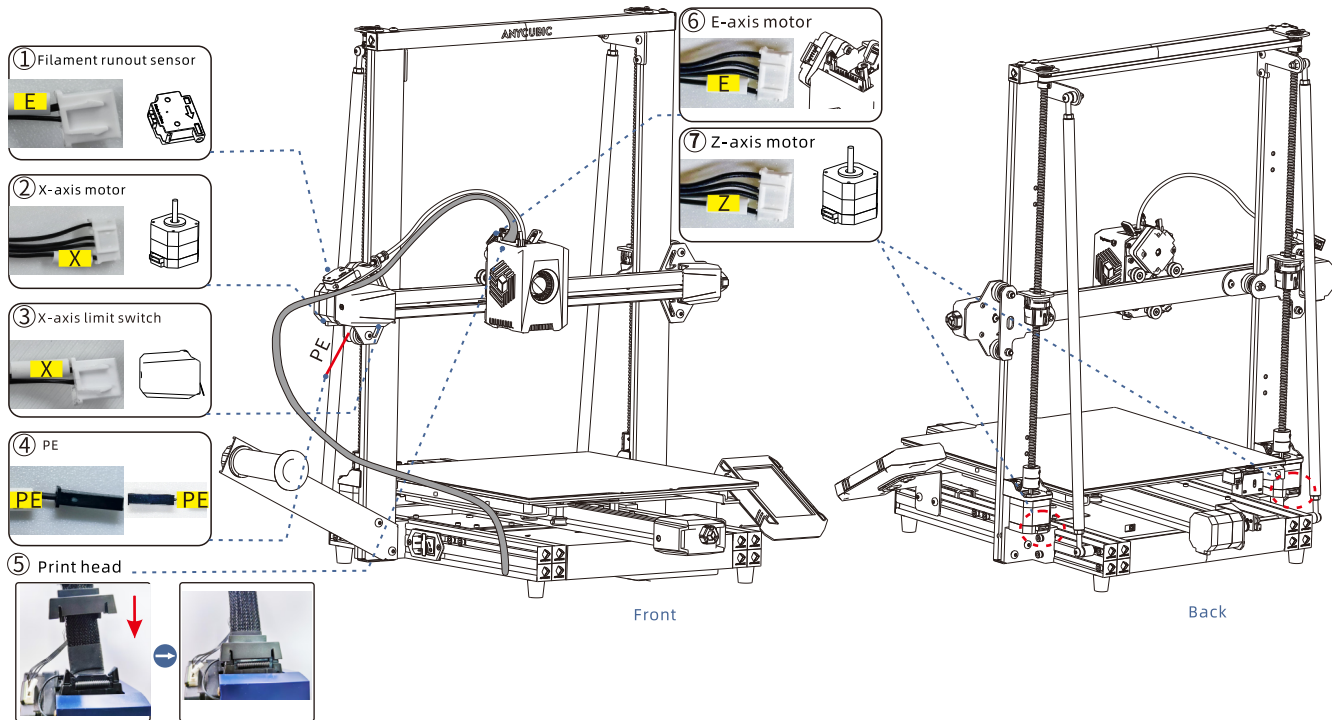
2.0



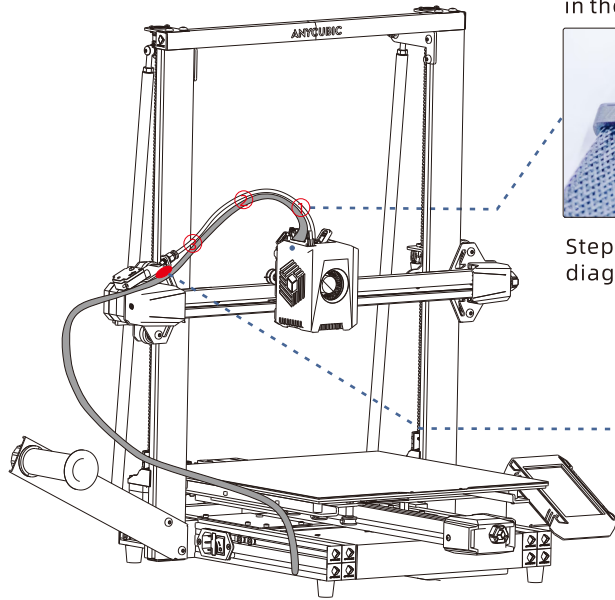
Step 2: Insert the filament tube.



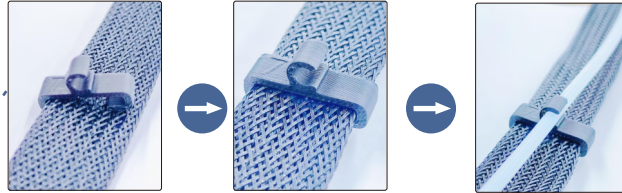
## 08 Wiring



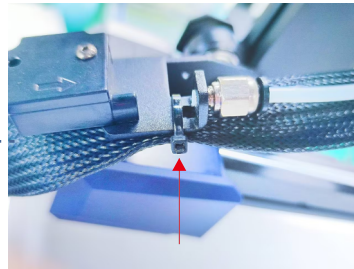
## 08 Wiring



Step 1: Use cable ties to secure the print head cable and filament tube in the position indicated in the diagram.



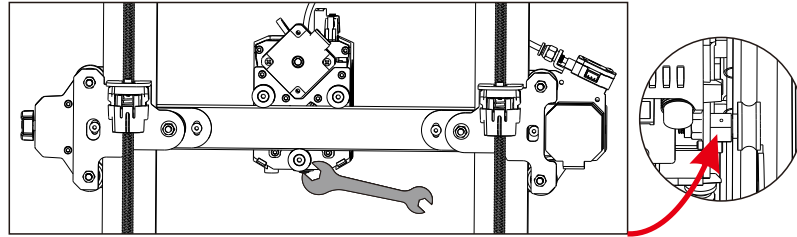
Step 2: Use zip ties to secure the cables in the position indicated in the diagram.



## Check Before Use

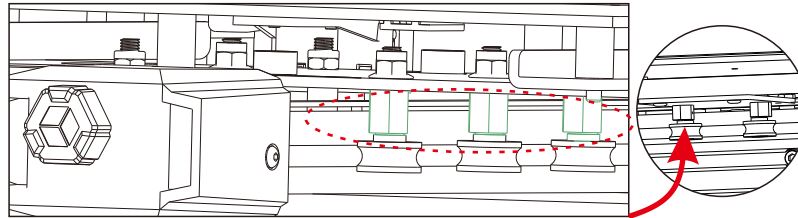
### 1. Pulley elastic adjustment

Check if the print head is shaking. If it is, adjust the hexagonal isolation column located underneath the print head until it slides smoothly and without shaking.



Print head

Check if the print bed is shaking. If it is, adjust the hexagonal isolation column located underneath the print bed until it slides smoothly and without shaking.



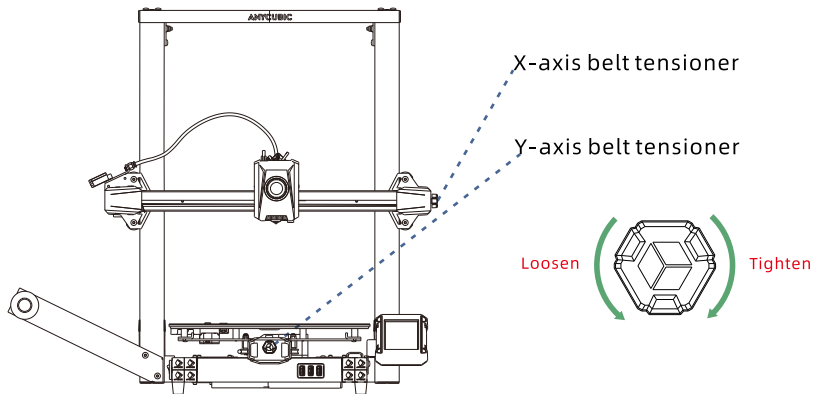
Platform

Similarly, the pulleys on both sides of the gantry frame can also be adjusted.



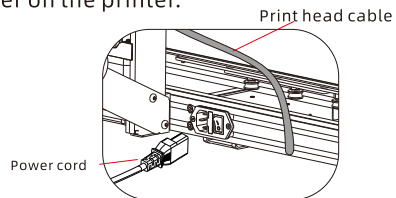
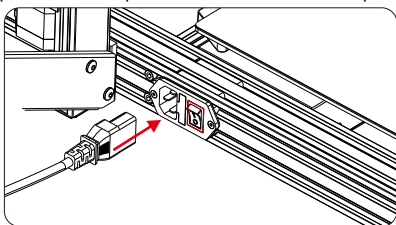
## 2. Belts

Please manually move the print head and print platform. If there is any difficulty or abnormal noise during the movement, adjust the tensioner to ensure smooth sliding of the print head or platform.



## 3. Connecting to Power

Connect the printer to a power outlet with the power cable, then power on the printer.



Note: When inserting the power cord, please avoid crossing it with the print head cable to prevent interference.

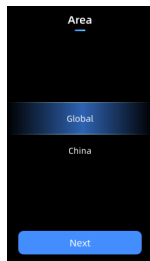


# Power-on guide

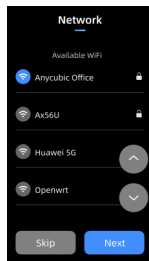
## ① Language



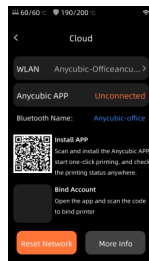
## ② Area



## ③ Network



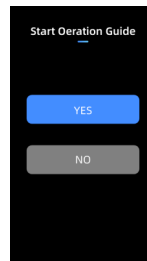
## ④ Cloud



## ⑤ Complete setup



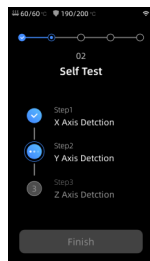
## ⑥ Start Operation Guide



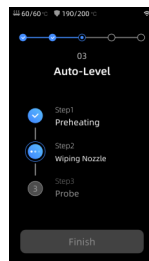
## ⑦ Insert U-Disk



## ⑧ Self Test



## ⑨ Auto-Level



## ⑩ Load Filament



## ⑪ Vibration compensation ⑫ Print The Model

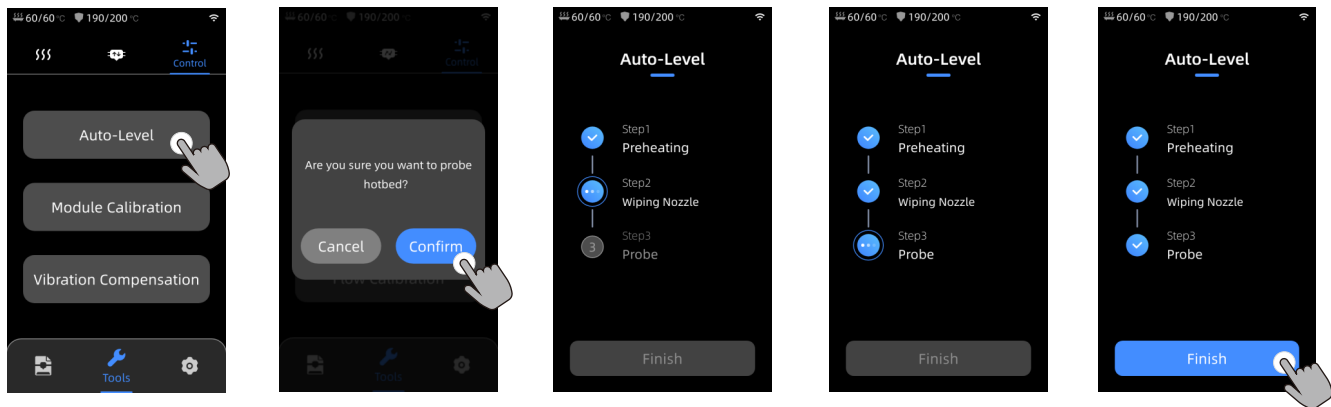


Note: The current interface is for reference only. Due to ongoing feature upgrades, please refer to the UI of the latest firmware release for accurate information.



## Leveling

Press "Tools" - "Control" - "Auto Level". Wait for the machine to complete the leveling process.



### Note:

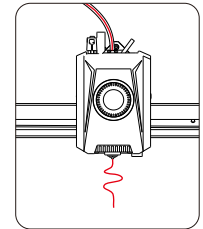
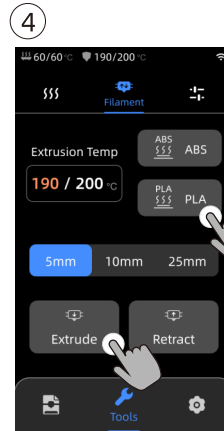
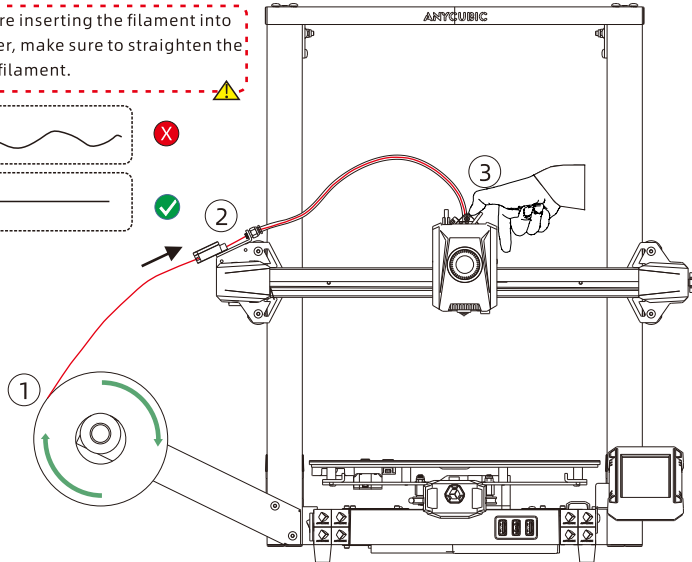
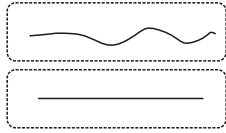
- 1) Please check whether the PEI board is installed before leveling.
- 2) The leveling sensor is only used for platforms with metal surfaces. If you replace the printing platform by yourself, please choose a platform with a metal surface to ensure the normal use of the automatic leveling function.



# Loading Filament

1. Put the filament onto the spool holder.
2. Insert the filament into the extruder until you feel some resistance. While doing so, press and hold the button on top of the extruder.
3. Press "Tools" - "Filament" - "PLA/ABS". Wait for the nozzle to heat up to the preset temperature. Press "Extrude" and wait for the filament material to be extruded from the nozzle. After stopping the filament feed, please clean the nozzle.

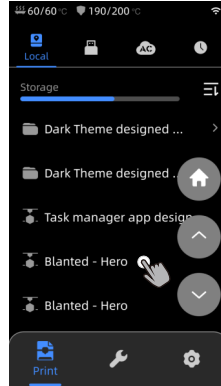
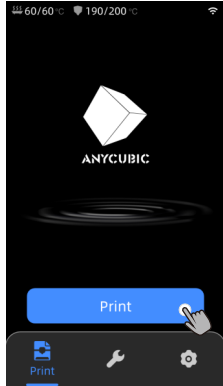
Note: Before inserting the filament into the extruder, make sure to straighten the end of the filament.



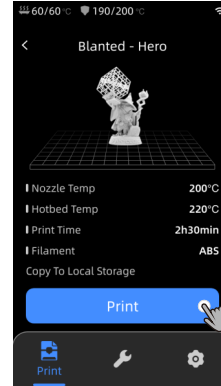
# First print

1) Select a model from the local or U-DISK and start printing.

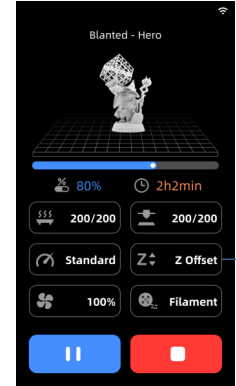
\*We recommend using one of the pre-loaded files as a first test print.



Select the model from local storage or U-DISK.

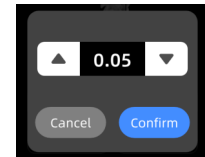
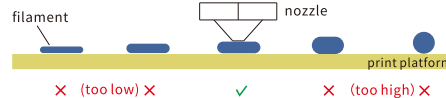
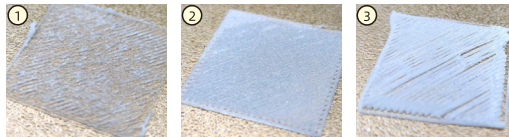


Press "Print".



Printing in progress.

Note: After starting the printing process, please observe the situation of the first layer. If situations ① and ③ occur on the first layer, it indicates that the Z-Offset value is not matching. You can adjust the Z-Offset value during the printing process to adjust the distance between the print head and the print platform.



## Other Function Descriptions

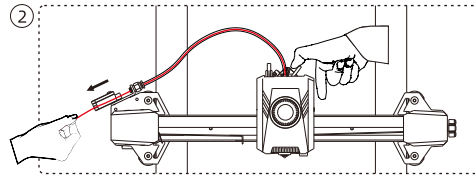
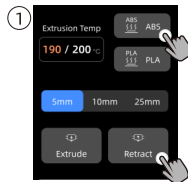
**Vibration Compensation:** It is recommended to perform a resonance detection when the printing time exceeds 300 hours or after the machine has been moved, in order to achieve better printing results. Resonance detection helps identify any resonance or vibration issues that may occur during the printing process, and allows appropriate measures to be taken to mitigate their impact. Regular resonance detection helps maintain the stability and accuracy of the printer, improving printing quality.

Press "Tools" - "Control" - "Vibration Compensation" and wait for the machine to complete the calibration. Please do not touch the machine during the calibration process.

**Filament Runout Detection:** This function is designed to prevent printing failures when the filament runs out during the middle of a print. It alerts the user to replace the filament before continuing the print, effectively preventing wasted prints due to filament shortage.

**Note:** After filament runout, you will need to remove the remaining filament from the filament tube and then insert a new filament.

**Retraction Instructions:** Press "Tools" - "Filament" - "PLA/ABS". Wait for the nozzle to heat up - to the preset temperature. Press "Retract" and wait for the filament material to retract, or manually pull out the filament directly by pressing the button above the extruder.



# Maintenance Recommendation

## Z-axis Lead Screws

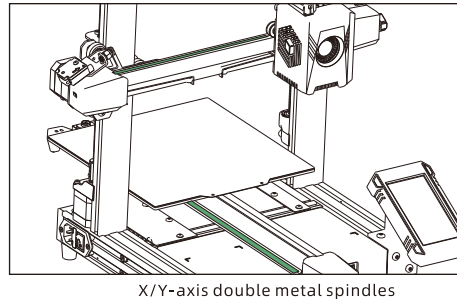
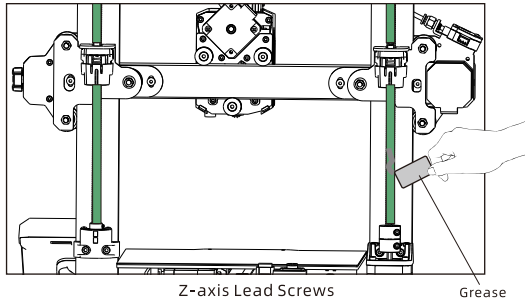
\*The Z-axis lead screw needs regular lubrication, as proper lubrication ensures smooth movement. It is recommended to perform maintenance every three months.

Before applying lubricating grease to the Z-axis lead screws, it is important to clean them thoroughly, removing any dust or plastic particles. Then, using the axis movement controls, move the print head to a higher position. Apply a thin coat of lubricating grease on the Z-axis lead screws, and then home the printer again. You can repeat this movement process a few times to ensure the grease is evenly distributed over the Z-axis lead screws. Once completed, clean off any excess lubricating grease that may have accumulated near the leadscrew nuts.

## X/Y-axis double metal spindles

\*The X/Y-axis double metal spindles require regular lubrication, as proper lubrication ensures smooth movement. It is recommended to perform maintenance once a month.

Before applying lubricating grease to the X/Y-axis double metal spindles, it is important to clean them thoroughly, removing any dust or plastic particles. Then, apply a thin coat of lubricating grease on the X/Y-axis double metal spindles and home the printer. You can repeat the movement process a few times to ensure the grease is evenly spread over the X/Y-axis double metal spindles.



\*Please scan the QR code for more maintenance information.

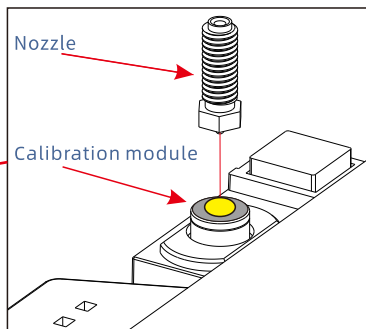
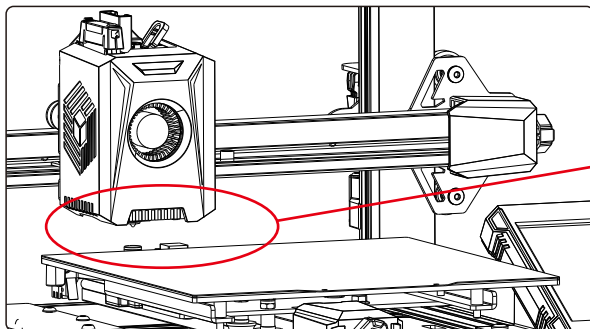
## Troubleshooting Guide

If there is a leveling anomaly, please follow the steps below to check:

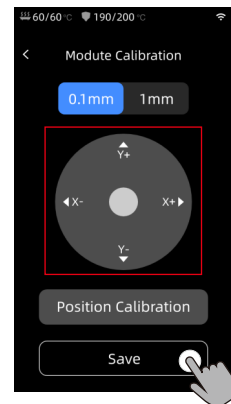


1) After powering off, check the wiring of the leveling calibration module to ensure it is connected properly. Then, restart the machine.

2) Press [Tools]-[Control]-[Module Calibration]-[Position Calibration]. Use the [X Move] and [Y Move] options on the screen to move the nozzle to the center point of the calibration module. Once done, click on [Save]. Afterward, perform the leveling operation again.



The shown nozzle is on the print head and some parts are left out for better display.



# Troubleshooting Guide

---

X/Y/Z axis motor not moving or making abnormal noise:

- ① Check if the motor wires are loose and recheck the connections.
- ② The corresponding limit switch may not be triggering properly. Check if there is any interference with the axis movement and ensure that the limit switch wires are secure.

Extruder abnormal extrusion:

- ① Check if the extruder motor wire is loose.
- ② Ensure that the extruder gear is securely tightened to the motor shaft.
- ③ The print head may not be getting sufficient cooling. Make sure that the print head cooling fan is functioning properly.
- ④ There may be a clog at the nozzle. Try briefly heating the nozzle to 230°C and manually extruding the filament with force to clear the clog. Alternatively, use a fine needle to clear the nozzle while it is preheated.

Model not sticking to the platform or warping:

- ① The key to model adhesion to the platform is whether the filament attaches to the platform during the first layer. If the distance between the nozzle and the platform exceeds 0.2mm during the first layer, adhesion to the platform will be significantly reduced, requiring releveling.
- ② When slicing the model, set the print platform adhesion to "Brim," which helps enhance adhesion and prevent warping issues.

Model misalignment:

- ① The movement speed or print speed may be too fast. Try reducing the speed.
- ② The X/Y axis belts may be too loose, or the timing pulleys may not be securely fixed.

Excessive stringing:

- ① Insufficient retraction distance. Increase the retraction distance in the slicing software.
- ② Slow retraction speed. Increase the retraction speed in the slicing software.
- ③ Enable Z-lift during retraction in the slicing software, with a lift height of approximately 0.25mm.
- ④ The printing temperature may be too high, causing the filament to be excessively viscous. Lower the printing temperature slightly.



\*The questions that are not covered above, please scan the QR code to obtain the information.

## Attention

---

1. Anycubic 3D printer generates high temperature. DO NOT reach inside of the printer during operation. Contact with extruded materials may cause burns.
2. Use high temperature resistant gloves when operating the product.
3. This equipment is not suitable for use in locations where children are likely to be present.
4. The fuse rating for the printer is 250V 10A. Never replace the fuse with one of a higher amperage, otherwise it may cause fire.
5. The socket-outlet shall be easily accessible.

If the above problems cannot be solved, please initiate consultation in our after-sales service system, and our engineers will reply you in the form of email within one working day.

(<https://support.anycubic.com/>)



Warm tips:

1. Fill in the information based on the SN of the corresponding model. The items with red dots are mandatory.
2. If the order is successful, you will soon receive a reply from the after-sales service system in your mailbox.
3. If you successfully place an order but do not receive an email, please watch out for spam.
4. If the order creation fails, please pay attention to the pop-up reminder on the web page.





Name:Apex CE Specialists GmbH  
Add:Habichtweg 1 41468 Neuss Germany  
Contact:Wells Yan  
Tel:+353212066339  
E-Mail:Info@apex-ce.com



Name:APEX CE SPECIALISTS LIMITED  
Add:89 Princess Street,Manchester, M1 4HT,UK  
Contact:Wells  
Tel:+ 441616371080  
E-Mail:info@apex-ce.com

FC CE RoHS



M02030327