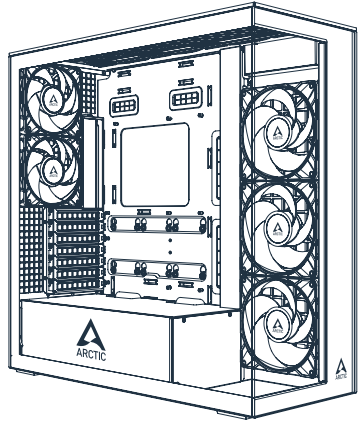




Xtender

Premium PC Case
Quick Start Guide



Included:
3x 140 mm Reverse Fan



Included:
2x 120 mm Fan

Packaging Content

120 mm Fan Mounting Bracket



x 1

Accessories Box Content

2.5" Drive Damping Rubber



x 18

2.5" Drive Screw



x 18

M3 Washer Head Screw



x 20

#6-32 UNC Cheese Head Screw



x 15

Motherboard Standoff



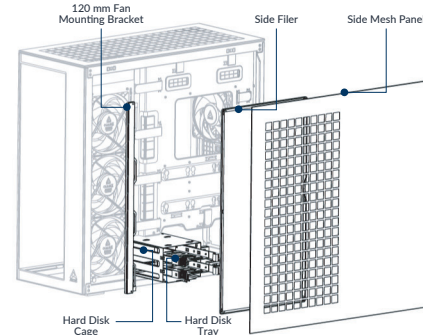
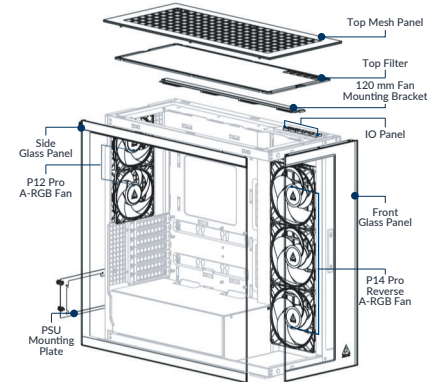
x 3

Velcro Cable Tie

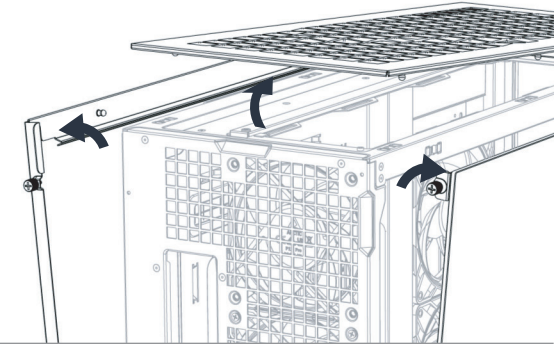
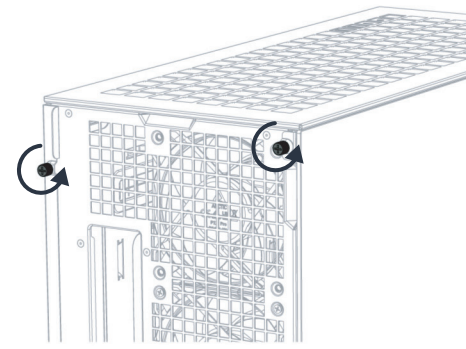


x 5

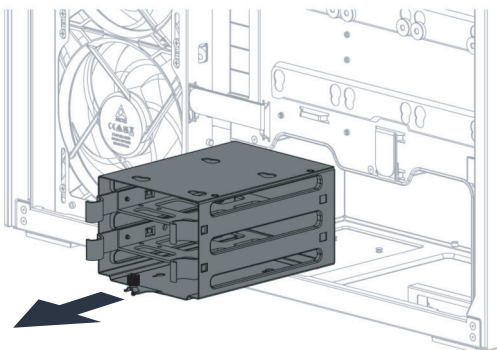
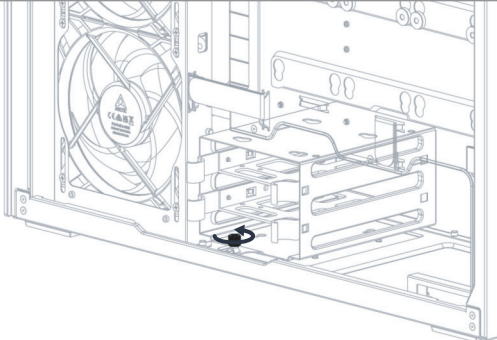
Overview



Remove Panels

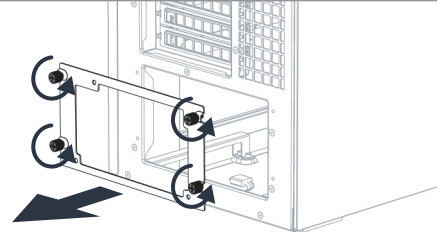


Hard Disk Cage Removal (Optional)



Remove hard disk cage to install PSU length larger than 200 mm

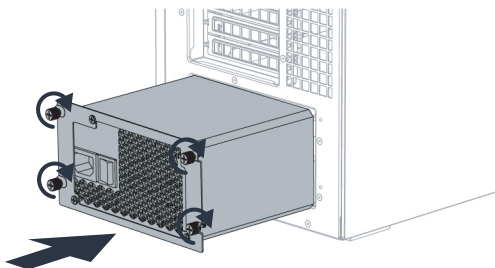
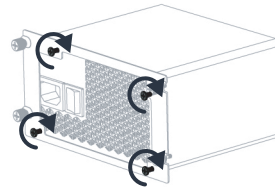
PSU Installation



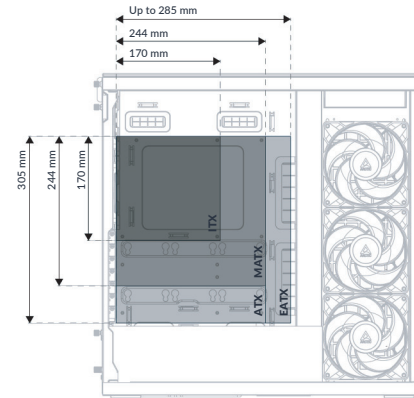
#6-32 UNC Cheese Head Screw



x 4



Motherboard Installation



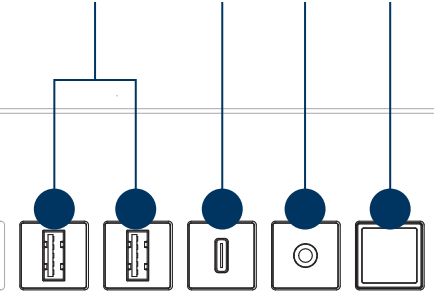
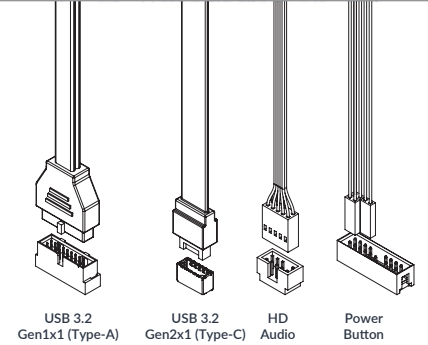
M3 Washer Head Screw



Motherboard Standoff



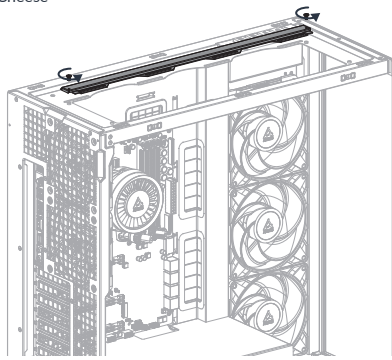
Front IO Panel Cable Connection



Fan/Radiator Installation

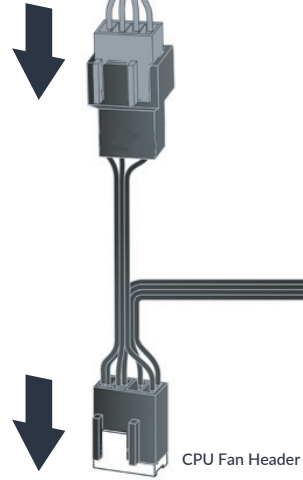
#6-32 UNC Cheese Head Screw

x 2



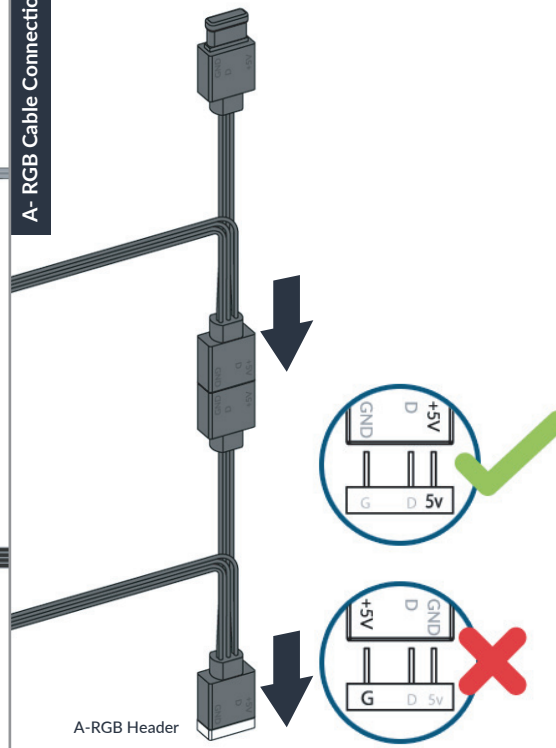
Remove 120 fan bracket to install 140 mm fan or 280/420 radiator (optional)

Fan Cable Connection



CPU Fan Header

A- RGB Cable Connection



A- RGB Header

Support up to maximum



2.5"SSD x6

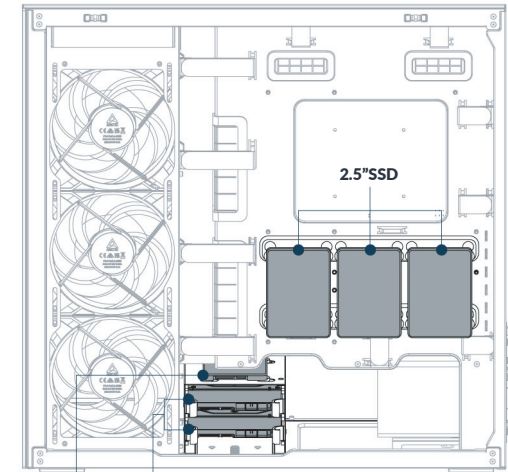
or



2.5"SSD x4



3.5" HDD x2



2.5"SSD 2.5"SSD/ 3.5" HDD

SSD and HDD Position

SSD Installation on the Motherboard Tray

2.5" Drive Damping Screw

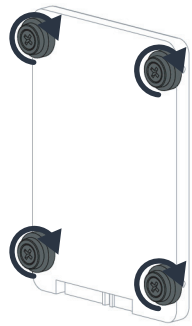


x4

2.5" Drive Screw



x4

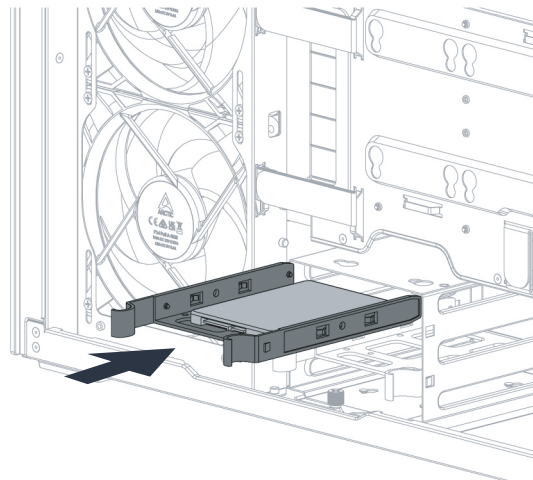
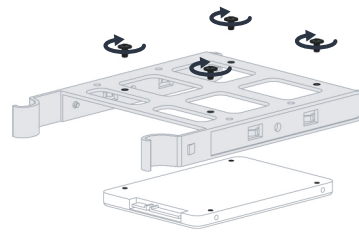


SSD Installation in the Tray

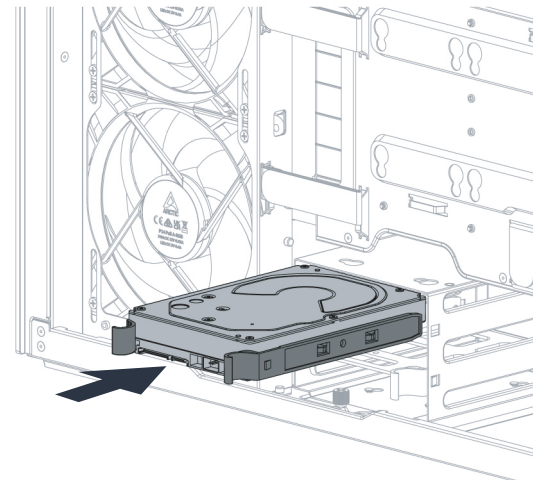
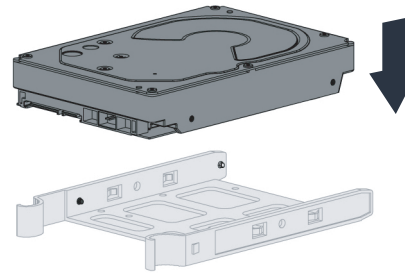
M3 Washer Head Screw



x4



HDD Installation in the Tray



Installation Graphic Card

