



The Creative Life

用户使用手冊

User manual

Manuel de l'utilisateur

Bedienungsanleitung

Manuale dell'utente

Manual de utilizador

Manual del usuario

사용자 설명서

取扱説明書

Felhasználói kézikönyv

Ekspluatācijas instrukcija

Användarhandbok

Руководство пользователя

Kullanım kılavuzu

用戶使用手冊

Інструкція з експлуатації

Manual de utilizare

Panduan Pengguna

مدخستس م لا ل يلد

Gebruikershandleiding



TCL Home App
Your TCL Smart Hub.
Download Now!

Table of Contents

Important Information	3	Using the Monitor	18
Important safety instructions	3	Connections	18
Using Electrical Power	5	Connect to the monitor	18
Advise on Eye Health	5	Monitor terminal description	19
Cleaning Your Monitor	5	Joystick Bottom	20
 		Function description.....	20
Product Disposal and Recycle ...	6	OSD function menu	22
Information of your old Product	6	Specification	28
 		General specification.....	28
Preparing and Assemble	7	Standard signal Mode	30
What's in the Box	8	 	
Installing the Monitor	9	Other Information	32
Setup stand&base	9	Troubleshooting	32
Adjusting viewing angle	13	Legal Statement	33
Wall mounting	16		

Important Information

Important safety instructions

Ensure you carefully read all the safety information before you setup this product.

TCL King Electrical Appliances (Huizhou) Co., Ltd. bears no responsibility for accidents or damages caused by unauthorized changes, modifications or improper use of the product.

Warnings

- **WARNING:** Keep away from water sources or water places such as bathrooms, kitchens, basements, swimming pools, etc.
- **WARNING:** Ensure that the equipment is mounted and placed in a stable place, if it falls, it may cause personal injury or equipment damage.
- **WARNING:** Keep away from sources of radiation and heat, please store and use in a cool, dry and ventilated place.
- **WARNING:** Do not cover or block the ventilation holes in the back case, and do not use it on the surface of a bed, sofa, blanket or similar object.
- **WARNING:** Do not overload the outlet as this may cause fire or electric shock.
- **WARNING:** Do not put foreign objects into the machine, otherwise it may cause a short circuit and lead to fire or electric shock.
- **WARNING:** Do not disassemble or repair this product by yourself. If there is any trouble, please contact the after-sales service personnel directly.
- **WARNING:** Do not pull or twist the power cord excessively.

- **WARNING:** The power supply voltage range for operation of the unit is indicated on the rear case label. If you are unable to confirm the voltage supplied, consult your dealer or local power company.
- **WARNING:** When the equipment is not used for a long period of time, disconnect the power supply to prevent damage from electric shock and abnormal power supply voltage during thunderstorms.
- **WARNING:** Sockets should be mounted near the equipment and should be easily accessible.
- **WARNING:** Sockets should be mounted near the equipment and should be easily accessible.
- **WARNING:** The power plug or appliance coupler serves as the disconnecting device, make sure that the disconnecting device is easily accessible during normal use of the equipment.
- **WARNING:** Zero power consumption can only be achieved when the product is not connected to any external input power source.

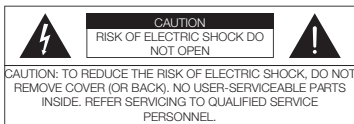


If your equipment uses an AC adapter:

- Only use the AC Adapter provided with your TCL product.
- Do not use the power cord with other products.

Ensure that the power outlet is as close as possible to the monitor and that it is easy to plug in and unplug the power adapter (power cord). Always unplug the power adapter (power cord) from the power outlet when you disconnect the device.

Important safety instructions



The lightning flash with arrowhead symbol, within an equilateral triangle is intended to alert the user to the presence of uninsulated dangerous voltage within the product's enclosure that may be of sufficient magnitude to constitute a risk of electric shock.



The exclamation point within an equilateral triangle is intended to alert the user to the presence of important operating and maintenance (servicing) instructions in the literature accompanying the product.



This symbol indicates that the fuse may be in the neutral, and that the mains shall be disconnected to de-energize the phase conductors.

To prevent injury, this apparatus must be securely attached to the desk/floor/wall in accordance with the installation instructions.

Monitor screen

The monitor screen used in this product is made of glass. Therefore, it can break when the product is dropped or impacted upon by other objects.

The monitor screen is a very high technology product, giving you finely detailed pictures. Occasionally, a few nonactive pixels may appear on the screen as a fixed point of blue, green or red. This does not affect the performance of your product.

ESD regulation

This apparatus meets ESD performance criteria. In case the apparatus does not recover in Ethernet connection mode or USB playing mode due to electrostatic discharge, user intervention is required.

Hanging the monitor on the wall

Warning: This operation requires at least two people depending on your monitor dimension.

To ensure a safe installation, observe the following safety notes:

- Check that the wall can support the weight of the monitor and wall mount assembly.
- Follow the mounting instructions provided with the wall mount. For certain models, make sure to screw the hexagonal VESA wall mounting screw bosses (and screws) provided with the set into the nuts for the wall mount at the back of your set before your wall mounting.
- The monitor must be installed on a vertical wall.
- Make sure to use only screws suitable for the material of the wall.
- Make sure that the monitor cables are placed so that there is no danger of tripping over them.

All other safety instructions about our monitor are also applicable here.

Multi product user manual

The features described in this manual are common to most models. Some features may not be available on your monitor and/or your monitor may include features that are not described in this user manual. The illustrations in this manual may differ from the actual product. Please refer to the actual product.

Using Electrical Power

This product should be used with the type of power supply specified on the label. If you are uncertain about the type of power supply available, check with your dealer or local power supply company.

Warning

- Do not place any objects on the power adapter (power cord), and do not place this product where people will step on the power adapter (power cord).
 - If a power extension cord is used, make sure that the total amperage of the appliances connected to it does not exceed the amperage of the power extension cord. Care should also be taken that the total rating of all appliances plugged into the same wall outlet does not exceed the fuse rating. (Applies to monitors equipped with power cords).
 - Do not plug in too many devices, as this will cause overloading of the power outlets and power boards. The overall system load must not exceed 80% of the branch circuit rating. If a patch panel is used, the load must not exceed 80% of the patch panel input rating.
- Place the Monitor at a distance of 20~28 inches (approximately 50~70 cm) from your eyes.
 - When using the Monitor, increase the blinking frequency appropriately to keep your eyes moist, and use water to moisten your eyes after long-time use of the Monitor.
 - After using the Monitor for two hours, take a 20-minute break.
 - Take frequent breaks: keep your eyes away from the Monitor and look at a distant target for at least 20 seconds.
 - During breaks, stretching activities may be performed to soothe the neck, arms, back and shoulders.

Advice on Eye Health

To avoid the possible eye fatigue and pains in the neck/arms/back/shoulders caused by long-time use of the Monitor, please keep the following suggestions in mind while using:

Cleaning Your Monitor

Please carefully follow the guideline below when cleaning your monitor:

- Before cleaning the product, ALWAYS make sure disconnect the power cord.
- When cleaning, use a soft cotton or a microfiber cloth and mild detergent to clean the product. ALWAYS make sure the cloth be damp or almost dry, do not allow liquid into the cabinet front and side.

Product Disposal and Recycle

Information of Disposal of Old Product

Your product is designed and manufactured with high quality materials and components, which can be recycle and reused. This product may contain lead and mercury. Disposal of these materials may be regulated due to environmental considerations. For disposal to recycling information, please contact your local authorities.



WEEE Statement **[European Union]**

Under the European Union (“EU”) Directive on Waste Electrical and Electronic Equipment, Directive 2012/19/EU, products of “electrical and electronic equipment” cannot be discarded as municipal waste anymore and manufacturers of covered electronic equipment will be obliged to take back such at the end of their useful life.

[Business users]

If you wish to dispose of this product, please contact your supplier and check the terms and conditions of the purchase contract.

[Other Countries outside the European Union]

These symbols are only valid in the European Union. If you wish to dispose of these items, please do so in accordance with applicable national legislation or other rules in your country for the treatment of old electrical equipment.

CE Conformity

This device complies with the requirement set out in the Council Directive on the Approximation of the Laws of the Member States relating to Electromagnetic Compatibility (2014/30/EU), Low-voltage Directive (2014/35/EU), ErP Directive (2009/125/EC) and RoHS directive (2011/65/EU). This product has been tested and found to comply with the harmonized standard for Information Technology Equipment published under Directive of Official Journal of the European Union.

Figures and illustrations in this User Manual are provided for reference only and may differ from actual product appearance. Product design and specifications may be changed without notice.

Preparing and Assemble

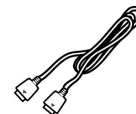
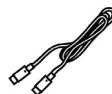
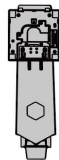
Warning

Before take out and assemble the monitor, please read carefully read this:

- Always use genuine components supplied from the box to ensure safety and product performance.
- For the damage or injury by unauthorized components, the product warranty will not cover.
- Generic cables not certified by TCL, display or image noises on the screen may occur.
- Illustration in this user manual represent typical procedures, it may have differences of vary monitor
- Do not use excessive force to tighten screws, otherwise damage may caused to the monitor. Such damage will not be covered by the product warranty.
- Fall-off or personal injury may happened if you only holding the base upside down. Such damage will not be covered by the product warranty.
- Do not apply excessive force to the screen when lifting or moving the monitor, damage may caused to the screen if so.
- Negligence, lack of supervision, lack of maintenance or maintenance of the Product not in accordance with the manufacturer's instructions for use are not cover by the product warranty.
- Modifications, adaptations and alterations of the monitor for use in a country different from those for which it was originally designed and manufactured and any deterioration caused by these modifications are not cover by the product warranty.
- Modifications, adaptations, interventions and alterations of the monitor (opened or disassembled), carried out by a third party, by an enterprise not authorized by the manufacturer or by an individual. Such changes are not cover by the product warranty.
- Maintenance and repairs made or attempted by persons other than the manufacturer or a service center approved by the manufacturer are not cover by the product warranty.
- An installation or use of the monitor that does not conform to the technical or safety standards and regulations in force in the country where it is installed and used are not cover by the product warranty.
- Virus infections or monitor use with software not provided or incorrectly installed are not covered by the product warranty.
- To aesthetic defects, especially scratches, traces of shocks etc. caused to external parts of the monitor that do not interfere with its operation are not covered by product warranty.
- Defects caused by infestation with parasites or insects are not covered by product warranty.
- It is specified that the Products are always equipped with the or, where appropriate, the latest versions of software available on the date of production. It is up to the final purchaser to regularly update the product software to ensure the latest compatibility and functionality.

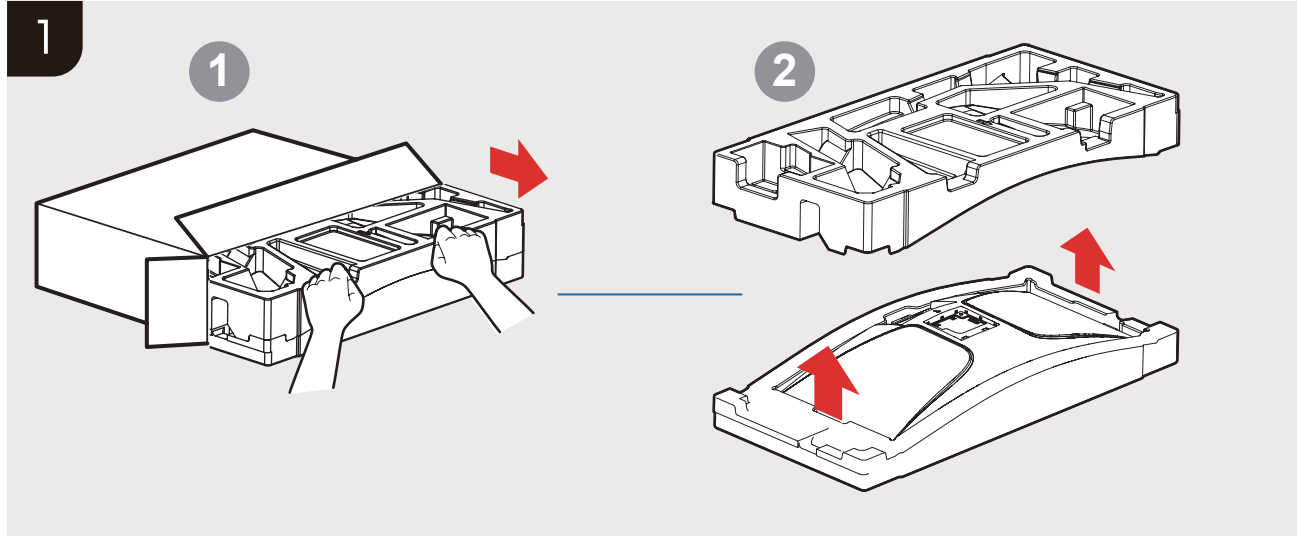
What's in the Box

Please check the following items when you unpack the box, and keep the package in case you need to transport or ship the monitor in future.



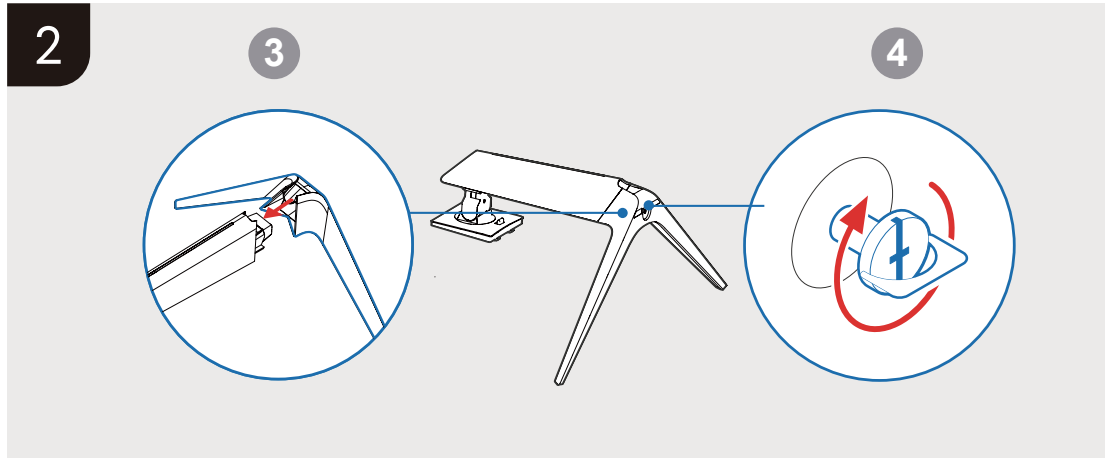
Installing the Monitor

Setup stand & base

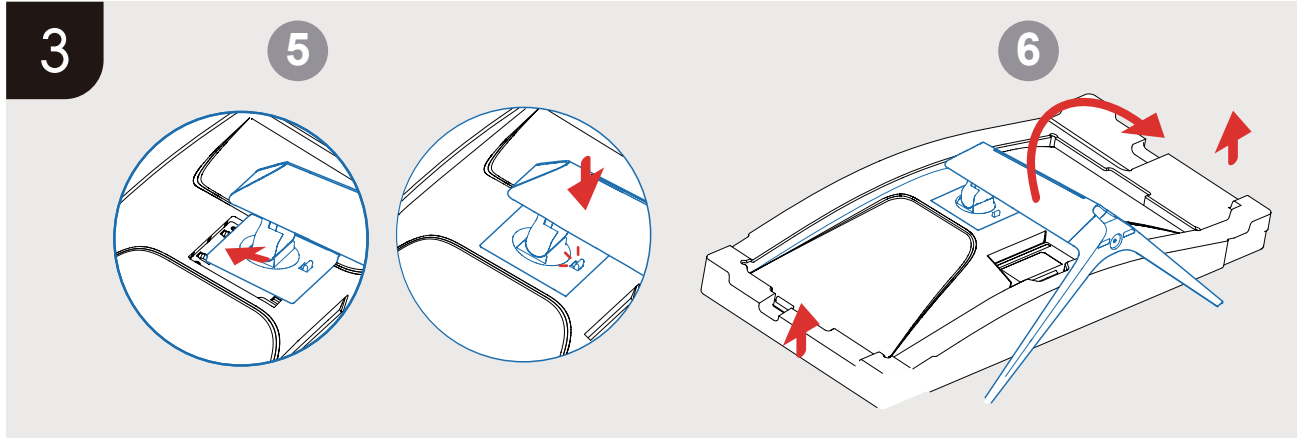


Setup stand & base

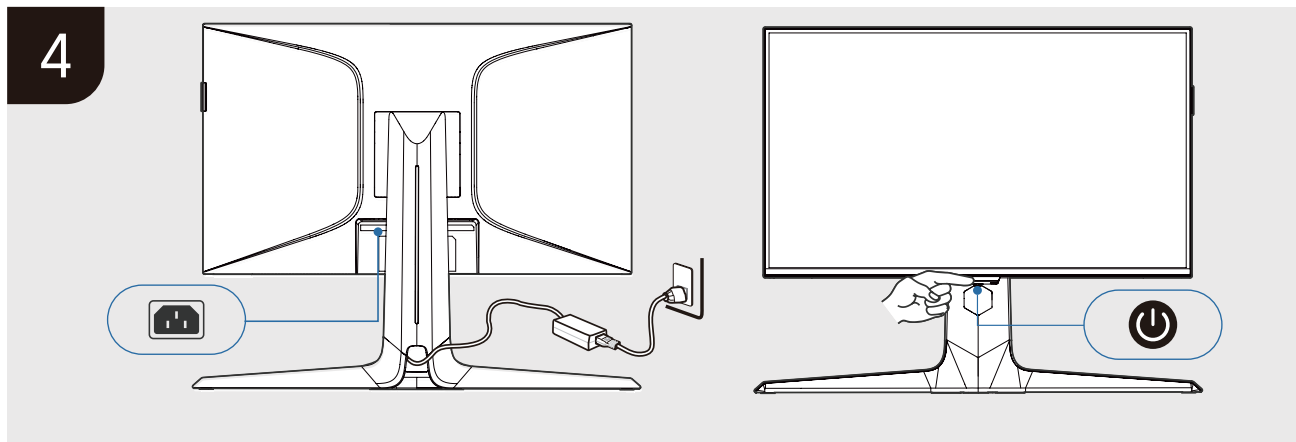
English



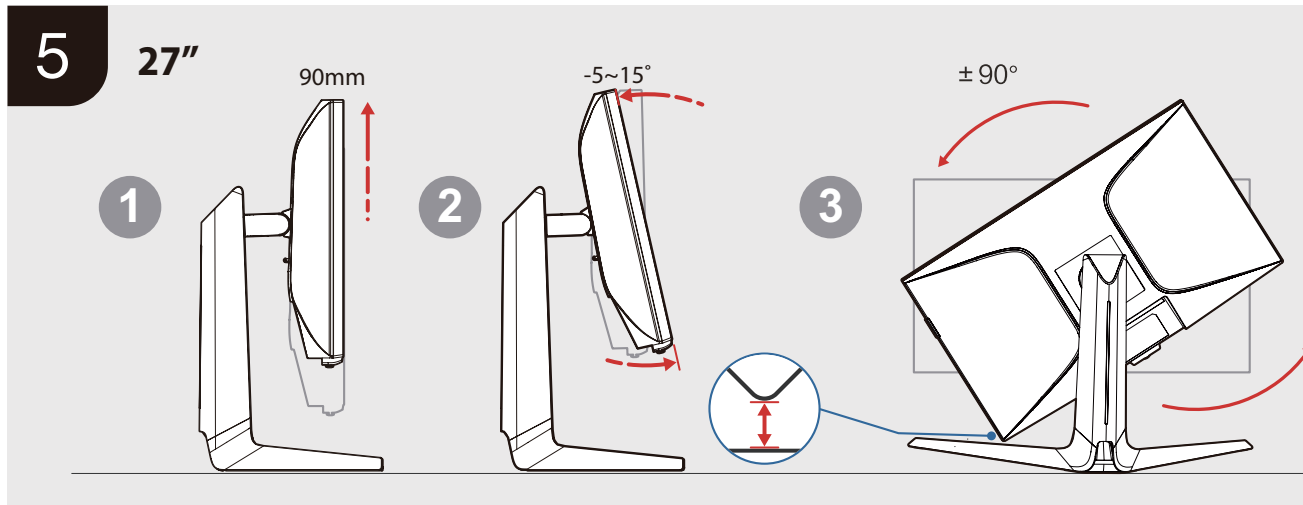
Setup stand & base



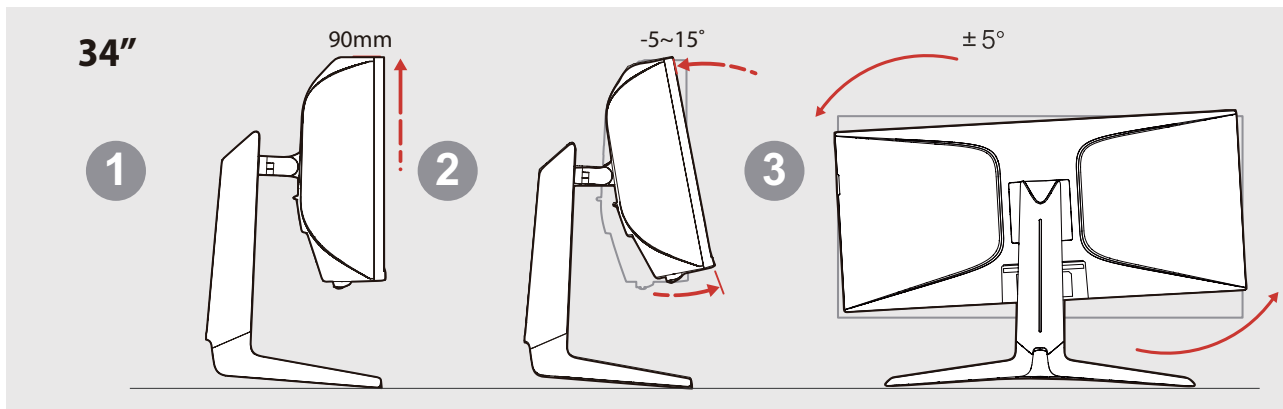
Setup stand & base



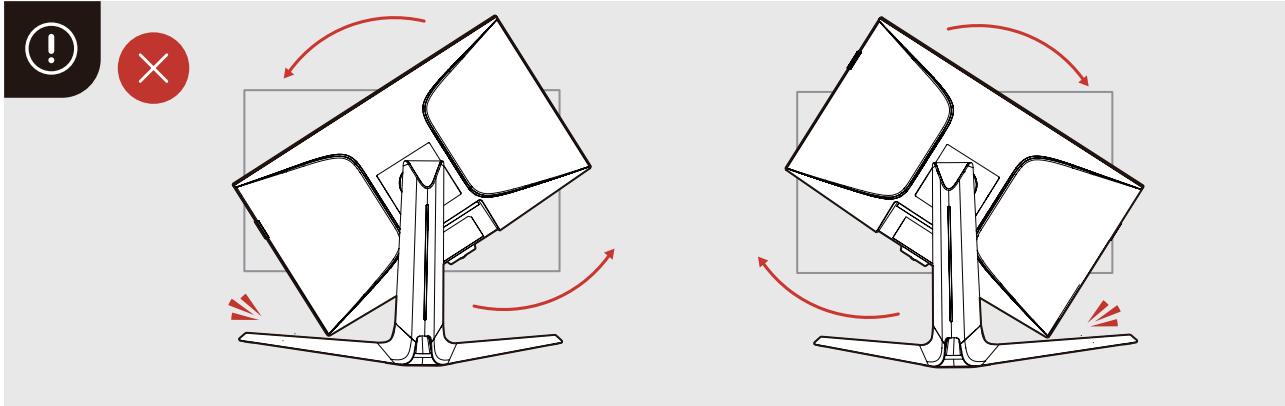
Adjusting viewing angle



Adjusting viewing angle



Adjusting viewing angle



Wall mounting

Warning

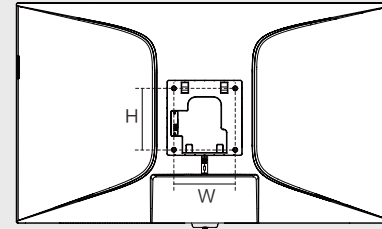
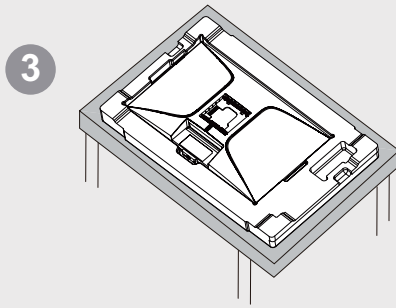
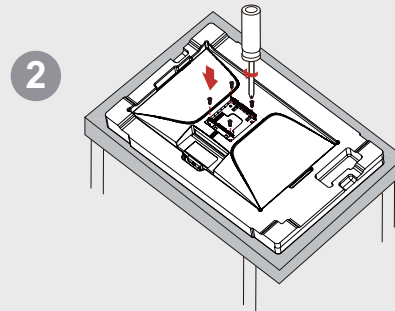
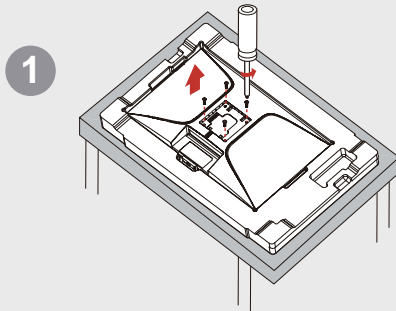
Never place a monitor set in an unsuitable location. A monitor set may fall, causing serious personal injury or death. Many injuries, particularly to children, can be avoided by taking simple precautions such as:

- Check that the wall can support the weight of the monitor and wall mount assembly.
- Follow the mounting instructions provided with the wall mount. For certain models, make sure to screw the hexagonal VESA wall mounting screw bosses (and screws) provided with the set into the nuts for the wall mount at the back of your set before your wall mounting.
- If the screws missing by personal accident, ensuring to use only screws recommended in wall mounting part of the User Manual or Quick Start Guide(attach in accessory box) and suitable for the material of the wall.
- Only using furniture that can safely support the monitor set recommended in wall mounting part of the User Manual or Quick Start Guide(attach in accessory box).
- Ensuring that the monitor must be installed on a vertical wall.
- Ensuring the monitor set is not overhanging the edge of the supporting furniture.
- Not placing the monitor on tall furniture (for example, cupboards or bookcases) without anchoring both the furniture and the monitor set to a suitable support.
- Not place the monitor set on cloth or other materials that may be located between the monitor set and supporting furniture.
- ALWAYS route all cords and cables connected to your monitor so that there is no danger of tripping.

Note: All other safety instructions about our monitor are also applicable here. If your existing monitor set is being retained and relocated, the same considerations as above should be applied.

Wall mounting

Wall mounting



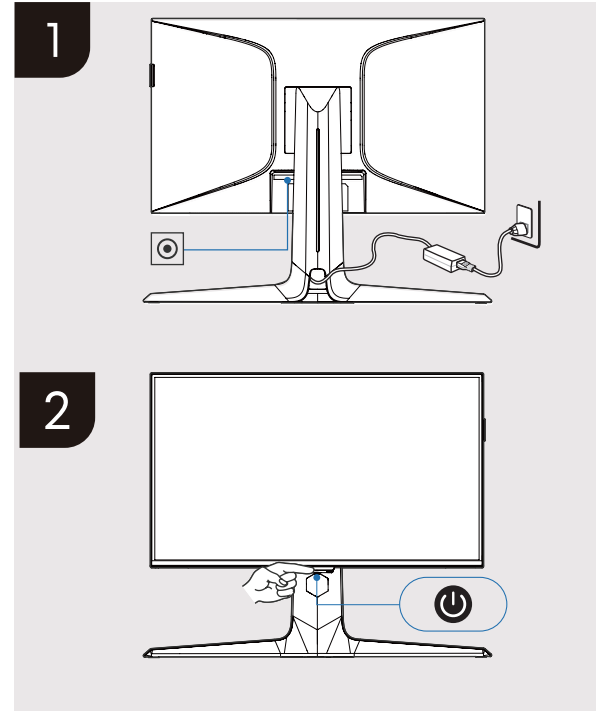
	W	H	VESA Screws	Torque
27/34"	100mm	100mm	M4x8mm-4pcs	< 1.2N.m

Using the Monitor

Connections



Connect to the monitor

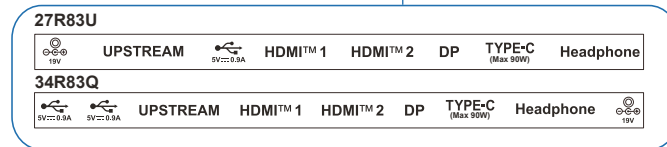
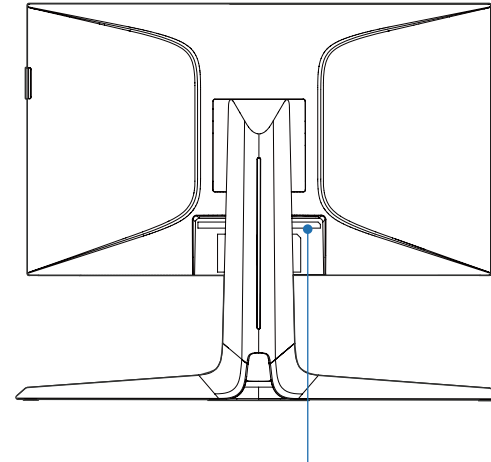
1. Before connecting to the monitor ensure that your computer/laptop on the state of turning off
2. Connect the monitor cable to the right plot of your computer/laptop.
3. Connect one end of the power cord with the AC Input.
4. Connect the other end to your computer/laptop.
5. Plug the power cord to an electrical outlet.
6. Press the middle of the joystick button to turn on the monitor.
7. Monitor will identify signal and show picture after you turning on the computer/laptop.



Monitor Terminal Description

Note: Button and connector locations may vary according to monitor model.

 19V	Monitor power input socket
UPSTREAM	A port that can upload data from USB-B to your computer/laptop
 5V ⚡ 0.9A	Universal Serial Bus(USB) interface
HDMI™	HDMI signal access port
DP	Display Port. DP signal access port
TYPE-C (Max 90W)	Type-C input interface (Type-C output: 5VDC/3A, 9VDC/3A, 12VDC/3A, 15VDC/3A, 20VDC/3A)
Headphone	Audio output socket

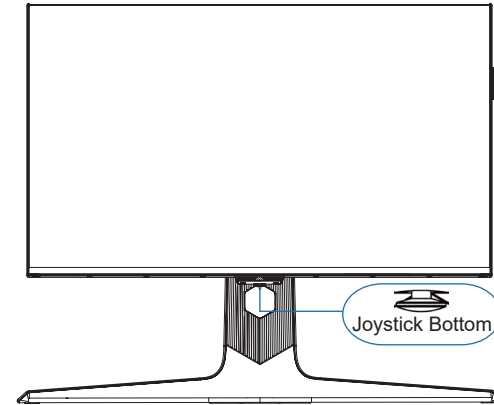


Joystick Bottom

Function description

Here are the navigation direction buttons and the Power button on the bottom of the monitor that you may use frequently.

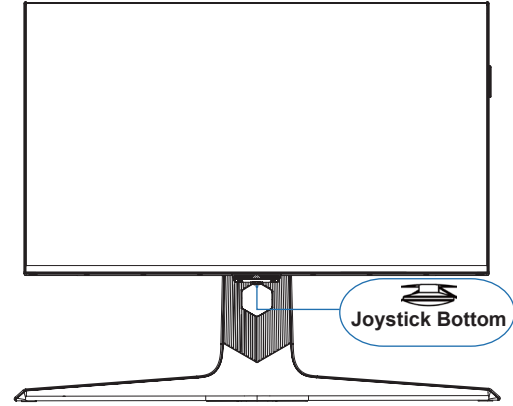
	Instruction
Turn On	Short press the middle of the button.
Turn Off	Long press the middle of the button for 3 seconds.
Indicator Light	Light's off when turning off the monitor
	Light turns orange when monitor on standby state
	Light turns white when there is no input signal to monitor
	Light goes out when there is input signal to monitor



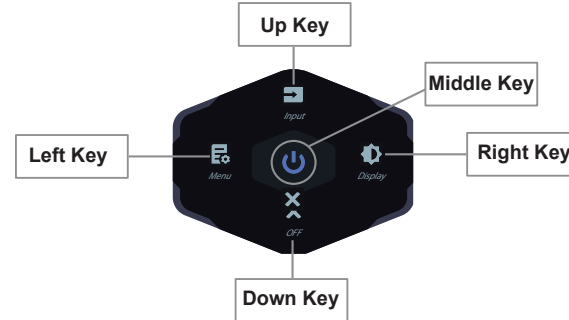
Function description

<p>Middle key (Press the middle of joystick bottom)</p>	<ul style="list-style-type: none"> You can turn on/off the monitor. When the on monitor state of ON : short press to navigation menu.
<p>Left key (Toggle joystick bottom to left direction)</p>	<ul style="list-style-type: none"> When the monitor on the state of ON: short press to navigation menu. When open navigation menu, toggle left you can BACK to previous step or CLOSE navigation menu.
<p>Right key (Toggle joystick bottom to right direction)</p>	<ul style="list-style-type: none"> When the monitor on the state of ON : short press to navigation menu. When open navigation menu, toggle right you can go o Display option or CONFIRM to go to next step (default setting,where you can change it following instruction of OSD Function Menu).
<p>Up key (Toggle joystick bottom to the back front of monitor)</p>	<ul style="list-style-type: none"> When the monitor on the state of ON : short press to navigation menu. When open navigation menu, toggle to the direction of screen side, you can go to Input option (default setting,where you can change it following instruction of OSD Function Menu)
<p>Down key (Toggle joystick bottom to the screen side of the monitor)</p>	<ul style="list-style-type: none"> When the on monitor state of ON : short press to navigation menu. Toggle to the direction of screen side of monitor, you can CLOSE navigation menu.

NOTE: Do not press the joystick bottom directly against the desktop, as it is easy to cause damage.





















On the state of ON, you can toggle every direction to open navigation menu, and follow the instruction to adjust.



OSD Function Menu

Game mode

This section describes how to optimise the screen display better for playing games.



Step 1	Step 2	Step 3	Step 4	Step 5	Step 6
FreeSync Premium	• Press joystick button	• Select Menu	• Select Game Mode	<ul style="list-style-type: none"> • Select FreeSync Premium • Toggle • Press Power / > to enter 	<ul style="list-style-type: none"> • Turning on:  • Turning off: 
Dark Part Brightening	• Press joystick button	• Select Menu	• Select Game Mode	<ul style="list-style-type: none"> • Select Dark Part Brightening • Toggle • Press Power / > to enter 	• Toggle  /  to increase or decrease
Response Time	• Press joystick button	• Select Menu	• Select Game Mode	<ul style="list-style-type: none"> • Select Response Time • Toggle • Press Power / > to enter 	<ul style="list-style-type: none"> • Toggle  /  • To set Normal, Fast or Fastest • Press < to confirm
Crosshair	• Press joystick button	• Select Menu	• Select Game Mode	<ul style="list-style-type: none"> • Select Crosshair • Toggle • Press Power / > to enter 	<ul style="list-style-type: none"> • Toggle  /  • To set     or OFF
Timer	• Press joystick button	• Select Menu	• Select Game Mode	<ul style="list-style-type: none"> • Select Timer • Toggle • Press Power / > to enter 	<ul style="list-style-type: none"> • Toggle  /  • To set 15/30/45/60/90/120 Minutes or OFF
Ambient Light	• Press joystick button	• Select Menu	• Select Game Mode	<ul style="list-style-type: none"> • Select Ambient Light • Toggle • Press Power / > to enter 	<ul style="list-style-type: none"> • Toggle  /  • To set Static Red, Static Blue, Breathing light, Dazzling lights, Running light or OFF
Refresh Rate	• Press joystick button	• Select Menu	• Select Game Mode	<ul style="list-style-type: none"> • Select Refresh Rate • Toggle • Press Power / > to enter 	<ul style="list-style-type: none"> • Turning on:  • Turning off: 

Press **<** to return to the previous menu.

Setting may vary to different monitors.

Display

This section allows you to adjust basic settings or more options of picture.

Adjustment/ Setting	Specification	Instuction	Step 1	Step 2	Step 3	Step 4
Local Dimming	Automatically adjust backlight and contrast based on individual areas of the screen to optimise picture performance.		<ul style="list-style-type: none"> Press joystick button Select Menu 	<ul style="list-style-type: none"> Select Display Press Power / > to enter 	<ul style="list-style-type: none"> Select Local Dimming Press Power / > 	<ul style="list-style-type: none"> To set as High, Medium, Standard or OFF
Brightness	Adjust the luminance level from 0 to 100 of screen.		<ul style="list-style-type: none"> Press joystick button Select Menu 	<ul style="list-style-type: none"> Select Brightness 	<ul style="list-style-type: none"> Press ^ / v to increase or decrease 	/
Contrast	Adjust the white level from 0 to 100 of picture.		<ul style="list-style-type: none"> Press joystick button Select Menu 	<ul style="list-style-type: none"> Select Display Press Power / > to enter 	<ul style="list-style-type: none"> Select Contrast Press ^ / v to increase or decrease 	/
Gamma	Adjust the medium brightness of picture. The smaller the number is, the brighter the picture is.		<ul style="list-style-type: none"> Press joystick button Select Menu 	<ul style="list-style-type: none"> Select Display Press Power / > to enter 	<ul style="list-style-type: none"> Select Gamma 	<ul style="list-style-type: none"> Press Power to set Gamma1 or Gamma2 to correct picture
Aspect	Adjust the size of the screen picture.		<ul style="list-style-type: none"> Press joystick button Select Menu 	<ul style="list-style-type: none"> Select Display Press Power / > to enter 	<ul style="list-style-type: none"> Select Local Dimming Press Power / > 	<ul style="list-style-type: none"> Press Power to set Auto/ 21:9/ 4:3
DCR	Dynamic Contrast Ratio. Automatically adjust brightness, contrast and color, it can makes the details of the picture sharper and distinct.		<ul style="list-style-type: none"> Press joystick button Select Menu 	<ul style="list-style-type: none"> Select Display Press Power / > to enter 	<ul style="list-style-type: none"> Select DCR Press Power / >to enter 	<ul style="list-style-type: none"> Turning on:  Turning off: 
Sharpness	Adjust the level of the picture detail within range 0 to 10.		<ul style="list-style-type: none"> Press joystick button Select Menu 	<ul style="list-style-type: none"> Select Display Press Power / > to enter 	<ul style="list-style-type: none"> Select Sharpness Press Power / > 	<ul style="list-style-type: none"> Toggle joystick bottom to adjust level 0~10

Press < to return to the previous menu.

Setting may vary to different monitors.

OSD Function Menu

Color



This section allows you to adjust basic settings or more options of picture.

Setting	Step 1	Step 2	Step 3	Step 4	Step 5
Color	• Press joystick button	• Select Menu	• Select Color • Press Power / > to enter	• Press ^ / v • To set as Standard, Warm, Cool or User	• Press Power / > to confirm

Press **<** to return to the previous menu.

Input

This section allows you to select input sources.

Setting	Step 1	Step 2	Step 3	Step 4	Step 5
HDMI1	• Press joystick button	• Select Menu	• Select Input • Toggle joystick bottom to select HDMI1	• Press Power / > to confirm	/
HDMI2	• Press joystick button	• Select Menu	• Select Input • Toggle joystick bottom to select HDMI2	• Press Power / > to confirm	/
DP	• Press joystick button	• Select Menu	• Select Input • Toggle joystick bottom to select DP	• Press Power / > to confirm	/
TYPE-C	• Press joystick button	• Select Menu	• Select Input • Toggle joystick bottom to select TYPE-C	• Press Power / > to confirm	/
Automatic input	• Press joystick button	• Select Menu	• Select Input • Toggle joystick bottom to select Automatic input	• Press Power / > to turn on/off	• Turning on:  • Turning off: 

Press **<** to return to the previous menu.

Setting may vary to different monitors.

OSD Function Menu

Input

This section allows you to select input sources.

Setting	Option	Specification	Step 1	Step 2	Step 3	Step 4
PIP/PBP	PIP	Split a smaller scope of the window on the top right corner of the screen.	<ul style="list-style-type: none"> • Press joystick button • Select Menu 	<ul style="list-style-type: none"> • Select Input • Toggle joystick bottom to select PIP 	<ul style="list-style-type: none"> • Press joystick button • Press to select Source / PIP Size/ Location/ Display Switch/ Audio Switch 	Source: <ul style="list-style-type: none"> • Press joystick button • Press to select HDM1/ HDM2/ DP/ TYPE-C
						PIP Size: <ul style="list-style-type: none"> • Press joystick button • Press to select Small/ Medium/ Large
						Location: <ul style="list-style-type: none"> • Press joystick button • Press to select Left Top/ Right Top/ Left Bottom/ Right Bottom
						Display Switch: <ul style="list-style-type: none"> • Press joystick button • Toggle and press joystick bottom to confirm
						Audio Switch: <ul style="list-style-type: none"> • Press joystick button • Toggle and press joystick bottom to confirm

Press ◀ to return to the previous menu.

Setting may vary to different monitors.

OSD Function Menu

Input

This section allows you to select input sources.

Setting	Option	Specification	Step 1	Step 2	Step 3	Step 4
PIP/PBP	PBP	Split the screen	<ul style="list-style-type: none"> Press joystick button Select Menu 	<ul style="list-style-type: none"> Select Input Toggle joystick bottom to select PBP 	<ul style="list-style-type: none"> Press joystick button Press to select Source/ Display Switch/ Audio Switch 	Source: <ul style="list-style-type: none"> Press joystick button Press to select HDM1/ HDM2/ DP/ TYPE-C Display Switch: <ul style="list-style-type: none"> Press joystick button Toggle and press joystick bottom to confirm Audio Switch: <ul style="list-style-type: none"> Press joystick button Toggle and press joystick bottom to confirm
	Phone mode	Split quarter of the screen where displays the picture of the connected phone	<ul style="list-style-type: none"> Press joystick button Select Menu 	<ul style="list-style-type: none"> Select Input Toggle joystick bottom to select Phone mode 	<ul style="list-style-type: none"> Press joystick button 	<ul style="list-style-type: none"> Press to select Audio Switch
	OFF	Reset to the standard mode of the screen	<ul style="list-style-type: none"> Press joystick button Select Menu 	<ul style="list-style-type: none"> Select Input Toggle joystick bottom to select OFF 	/	/

Press < to return to the previous menu.

Setting may vary to different monitors.

OSD Function Menu

Scenario Mode

This section allows you to select picture modes.

Setting	Step 1	Step 2	Step 3	Step 4	Step 5
Scenario Mode	• Press joystick button	• Select Menu	<ul style="list-style-type: none"> • Select Scenario Mode • Press Power / > to enter 	• Press ^ / v	• Press Power / > to confirm

Press **<** to return to the previous menu.

Option	Specification
Standard	Power saving mode, recommended for daily use.
Office	Suitable for working, eye-friendly option.
DCI-P3	Attach importance to visual impact with broader range of red/ green color gamut.
SRGB	Common color standard for windows and most browsers.
Adobe RGB	Higher color rendition of green color and broader color gamut than SRGB
FPS	The ideal color settings for first perspective shooting games' player.
RPG	The ideal color settings for first role-playing games' player.
RCG	The ideal color settings
Movie	Better for enjoying movies
Eye Saver	It reduces the amount of blue light emitted by the screen, which can reduce the visual fatigue associated with screen viewing.
E-book mode	It reduce the amount of blue light by the screen, which only display black and white color of screen.

Setting may vary to different monitors.

Specification

General Specification

Model	27R834U	34R83Q
Product Type	Mini LED Gaming MNT	Mini LED Gaming MNT
Panel Active Size(Inch)	27	34
Visual Range(mm)	596.736(H)×335.664(V)	797.22(H)×333.72(V)
Pixel Pitch(mm)	0.0518(H)×0.1554(V)	0.07725(H)×0.23175(V)
Color	1.07G (8 bit + FRC)	1.07 (8bit +FRC)
Color Gamut	DCI-P3 95%	DCI-P3 97%
	sRGB 99%	sRGB 99%
	Adobe RGB 97%	Adobe RGB 95%
Display Resolution	3840×2160@ 160Hz (DP/TYPE-C)	3440×1440@ 170Hz (DP/TYPE-C)
Refresh Rate	3840×2160@ 144Hz (HDMI)	3440×1440@ 100Hz (HDMI)
Local Dimming Zone	Mini Led 1152 Zone	
Power Range (Input Voltage Current)	100-240V~50/60	
Adapter Out (Voltage Current)	19V $\overline{\text{---}}$ 13.69A	



The terms HDMI, HDMI High-Definition Multimedia Interface, HDMI trade dress and the HDMI Logos are trademarks or registered trademarks of HDMI Licensing Administrator, Inc.

Figures and illustrations in this User Manual are provided for reference only and may differ from actual product appearance. Product design and specifications may be changed without notice.

Specification

General Specification

Model	27R83U	34R83Q
Terminals	HDMI, DP, TYPE-C, USB-A, USB-B, Headphone (The exact number of terminals are based on the actual product.)	
Power Consumption (Sleep/Off)	0.5W	0.5W
Product Size	Width (active area): 613mm Height (active area): 359mm Total Height (with stand&base): 524mm	Width (active area): 807mm Height (active area): 360mm Total Height (with stand&base): 517mm
Tile Angle	5~15°(typical)	5~15°(typical)
Pivot	Left&Right Angle $\pm 90^{\circ}$	Left&Right Angle $\pm 5^{\circ}$
Swivel	Left&Right Angle $\pm 20^{\circ}$	Left&Right Angle $\pm 20^{\circ}$
Operating Temperature	0~40°C(0°~104°F)	
Operating Humidity	20~85%	

Figures and illustrations in this User Manual are provided for reference only and may differ from actual product appearance. Product design and specifications may be changed without notice.

Specification

Standard Signal Mode

27R83U

HDMI	640×480 (60/72/75Hz)	720×400 (70Hz)	720×480 (60Hz)	800×600 (60/72/75Hz)	1024×768 (60/70/75Hz)	1280×720 (50/60Hz)	1280×1024 (60/75Hz)
	1440×900 (60/120Hz)	1680×1050 (60/120Hz)	1600×900 (60/120Hz)	1920×1080 (50/60/120Hz)	2560×1440 (60/120/144Hz)	3840×2160 (30/60/120/ 144Hz)	/

DP&TYPE-C	640×480 (60/72/75Hz)	720×400 (70Hz)	720×480 (60Hz)	800×600 (60/72/75Hz)	1024×768 (60/70/75Hz)	1280×720 (50/60Hz)	1280×1024 (60/75Hz)
	1440×900 (60/120Hz)	1680×1050 (60/120Hz)	1600×900 (60/120Hz)	1920×1080 (50/60/120Hz)	2560×1440 (60/120/144Hz)	3840×2160 (60/120/144/ 160Hz)	/

The above function may be adjust due to different models or software version upgrades, subject to the actual models.

Specification

Standard Signal Mode

34R83Q

HDMI	640×480 (60/72/75Hz)	720×400 (70Hz)	720×480 (60Hz)	800×600 (60/72/75Hz)	1024×768 (60/70/75Hz)	1280×720 (50/60Hz)	1280×1024 (60/75Hz)
	1440×900 (60/120Hz)	1680×1050 (60/120Hz)	1920×1080 (50/60/120Hz)	2560×1440 (60/120Hz)	3440×1440 (50/60/100Hz)	3440×1440 (30/60Hz)	/

DP&TYPE-C	640×480 (60/72/75Hz)	720×400 (70Hz)	720×480 (60Hz)	800×600 (60/72/75Hz)	1024×768 (60/70/75Hz)	1280×720 (50/60Hz)	1280×1024 (60/75/120Hz)
	1440×900 (60/120Hz)	1680×1050 (60/120Hz)	1920×1080 (60/120Hz)	2560×1440 (60/120Hz)	3440×1440 (50/60/100/ 144/165/170Hz)	3840×2160 (30/60Hz)	/

The above function may be adjust due to different models or software version upgrades, subject to the actual models.

Other Information

Troubleshooting

Please check the following list before requesting service.

The power indicator is off:

- Make sure the power cord is properly inserted in the power outlet and power socket on monitor.
- Make sure the power button is pressed properly to switch the monitor on.

Plug and play does not work:

- Make sure your PC is properly matched.
- Make sure your graphic card is properly matched.

Picture is too dark, too light or tinted:

- Check the colour adjustment.
- Check the brightness setting.
- Check the sharpness function.

Screen flickers or ripples on the picture:

- Consider whether your monitor is interfered by electrical equipment.

No picture appears when the power indicator is on:

- Make sure the computer power is turned on.
- Make sure the graphic card is properly inserted.
- Consider whether the computer is running by pressing the CapsLock button of PC keyboard and observing the indicator.

The colour or sound is abnormal:

- Reset colour or sound to factory default settings in setting.

Note: *If the above suggestions do not solve your technical issue, please refer to the warranty card for service information.*

[Legal Statement] of TCL - manufacturer of this monitor

Due to the various capabilities of products featuring the monitor - Services, as well as limitations in the available content, certain features, applications, and services may not be available on all devices or in all territories. Some features on monitor may also require additional peripheral devices or membership fees that are sold separately. Please visit our website for more information on specific device information and content availability. The services and availability of content through monitor are subject to change from time to time without prior notice.

All content and services accessible through this device belong to third parties and are protected by copyright, patent, trademark and/or other intellectual property laws. Such content and services are provided solely for your personal noncommercial use. You may not use any content or services in a manner that has not been authorized by the content owner or service provider. Without limiting the foregoing, unless expressly authorized by the applicable content owner or service provider, you may not modify, copy, republish, upload, post, transmit, translate, sell, create derivative works, exploit, or distribute in any manner or medium any content or services displayed through this device.

Third party services may be changed, suspended, removed, terminated or interrupted, or access may be disabled at any time, without notice, and TCL makes no representation or warranty that any content or service will remain available for any period of time. Content and services are transmitted by third parties by means of networks and transmission facilities over which TCL has no control.

Without limiting the generality of this disclaimer, TCL expressly disclaims any responsibility or liability for any change, interruption, disabling, removal of or suspension of any content or service made available through this device. TCL may impose limits on the use of or access to certain services or content, in any case and without notice or liability. TCL is neither responsible nor liable for customer service related to the content and services. Any question or request for service relating to the content or services should be made directly to the respective content and service providers.

YOU EXPRESSLY ACKNOWLEDGE AND AGREE THAT USE OF THE DEVICE IS AT YOUR SOLE RISK AND THAT THE ENTIRE RISK AS TO SATISFACTORY QUALITY, PERFORMANCE AND ACCURACY IS WITH YOU. THE DEVICE AND ALL THIRD PARTY CONTENT AND SERVICES ARE PROVIDED "AS IS" WITHOUT WARRANTY OF ANY KIND, EITHER EXPRESS OR IMPLIED. TCL EXPRESSLY DISCLAIMS ALL WARRANTIES AND CONDITIONS WITH RESPECT TO THE DEVICE AND ANY CONTENT AND SERVICES, EITHER EXPRESS OR IMPLIED, INCLUDING BUT NOT LIMITED TO, WARRANTIES OF MERCHANTABILITY, OF SATISFACTORY QUALITY, FITNESS FOR A PARTICULAR PURPOSE, OF ACCURACY, OF QUIET ENJOYMENT, AND NON-INFRINGEMENT OF THIRD PARTY RIGHTS. TCL DOES NOT GUARANTEE THE ACCURACY, VALIDITY, TIMELINESS, LEGALITY, OR COMPLETENESS OF ANY CONTENT OR SERVICE MADE AVAILABLE THROUGH THIS DEVICE AND DOES NOT WARRANT THAT THE DEVICE, CONTENT OR SERVICES WILL MEET YOUR REQUIREMENTS, OR THAT OPERATION OF THE DEVICE OR SERVICES WILL BE UNINTERRUPTED OR ERROR-FREE. UNDER NO CIRCUMSTANCES, INCLUDING NEGLIGENCE, SHALL TCL BE LIABLE, WHETHER IN CONTRACT OR TORT, FOR ANY DIRECT, INDIRECT, INCIDENTAL, SPECIAL OR CONSEQUENTIAL DAMAGES, ATTORNEY FEES, EXPENSES, OR ANY OTHER DAMAGES ARISING OUT OF, OR IN CONNECTION WITH, ANY INFORMATION CONTAINED IN, OR AS A RESULT OF THE USE OF THE DEVICE, OR ANY CONTENT OR SERVICE ACCESSED BY YOU OR ANY THIRD PARTY, EVEN IF ADVISED OF THE POSSIBILITY OF SUCH DAMAGES.