

Q9

Customized Active Air Cooler

PRODUCT SPECIFICATIONS

Q9 | Customized Air Cooler

Model Number: Q9

- Recommend for Intel® CPU as following
 - Intel® Alder Lake Processor, Socket LGA1700
- Active Cooler for 2U Server & Up

Overall Specification

Dimension	95.0 x 95.0 x 41.0mm (W x L x H)
Weight	216 ± 5 g (Estimation, Pending real product test)
Material	Aluminum Extruded Heat Sink
Fan	92 CM Plastic Fan with 4-Pin PWM Connector, 4000RPM
Mounting Method	78mm x 78mm mounting pitch with M3 screws (Also support 75 x 75mm mounting pitch)
Backplate	Backplate is included (Support 78mm x 78mm mounting pitch)
Thermal Grease	Shin-Etsu 7762 Thermal Compound Pre-Printed
TDP	Up to 65 Watts

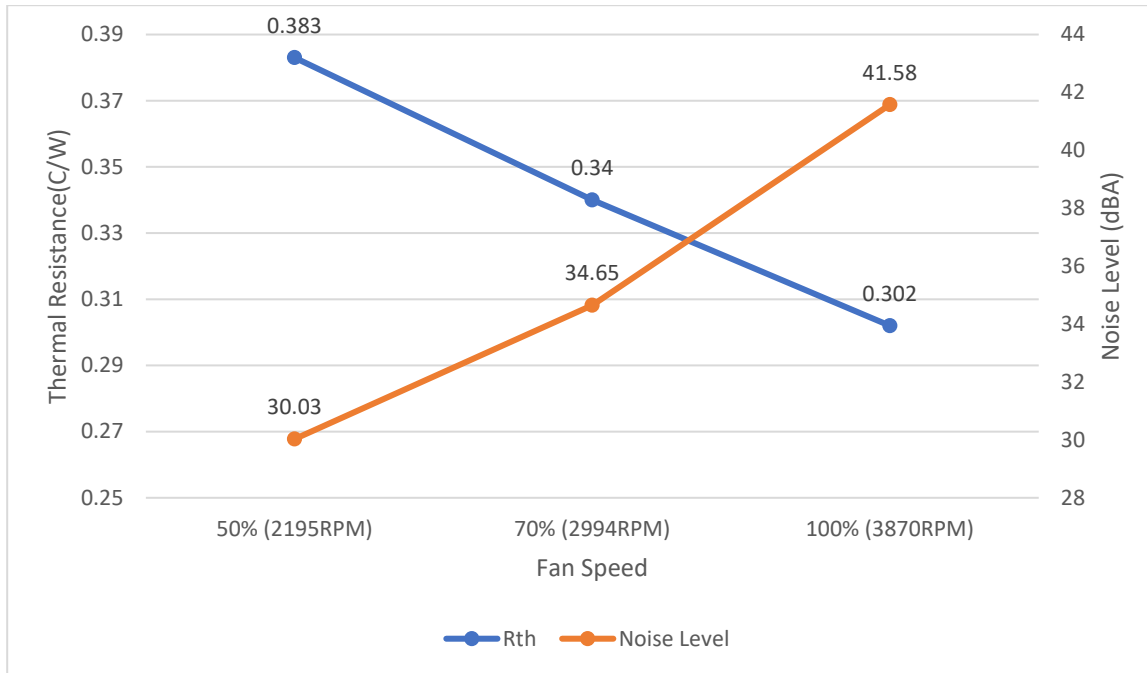
Cooling Fan Specification

Model Number	DF129225BU
Dimension	Ø92.0 x 25.0 mm
Bearing	Double Ball
Rated Voltage	DC 12V
Operating Voltage	10.8V~13.2V
Start Voltage	7V
Rated Speed	At Duty Cycle 0~20%: 1000± 200 RPM At Duty Cycle 50%: 2350±10% RPM At Duty Cycle 100%: 4000 ±10% RPM
Input Power	At Duty Cycle 0~20%: 0.6 W At Duty Cycle 50%: 1.2 W At Duty Cycle 100%: 5.16 W
Maximum Airflow	At Duty Cycle 0~20%: 17.88 CFM At Duty Cycle 50%: 42.01 CFM At Duty Cycle 100%: 71.50 CFM
Rated Static Pressure	At Duty Cycle 0~20%: 0.475 mm-H2O At Duty Cycle 50%: 2.623 mm-H2O At Duty Cycle 100%: 7.60 mm-H2O
Acoustical Noise	At Duty Cycle 0~20%: 16.00 dBA At Duty Cycle 50%: 30.03 dBA At Duty Cycle 100%: 41.58 dBA
Lead Wire Pin Out	Pin#1- Black(-) Pin#2- Yellow(+) Pin#3- Green(Tachometer/ Signal Output)

Q9 | Customized Air Cooler

Pin#4- Blue (PWM)

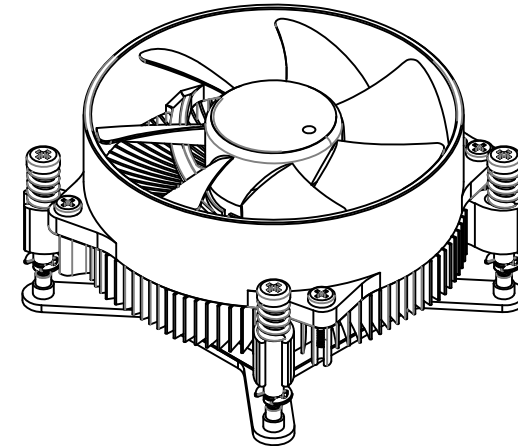
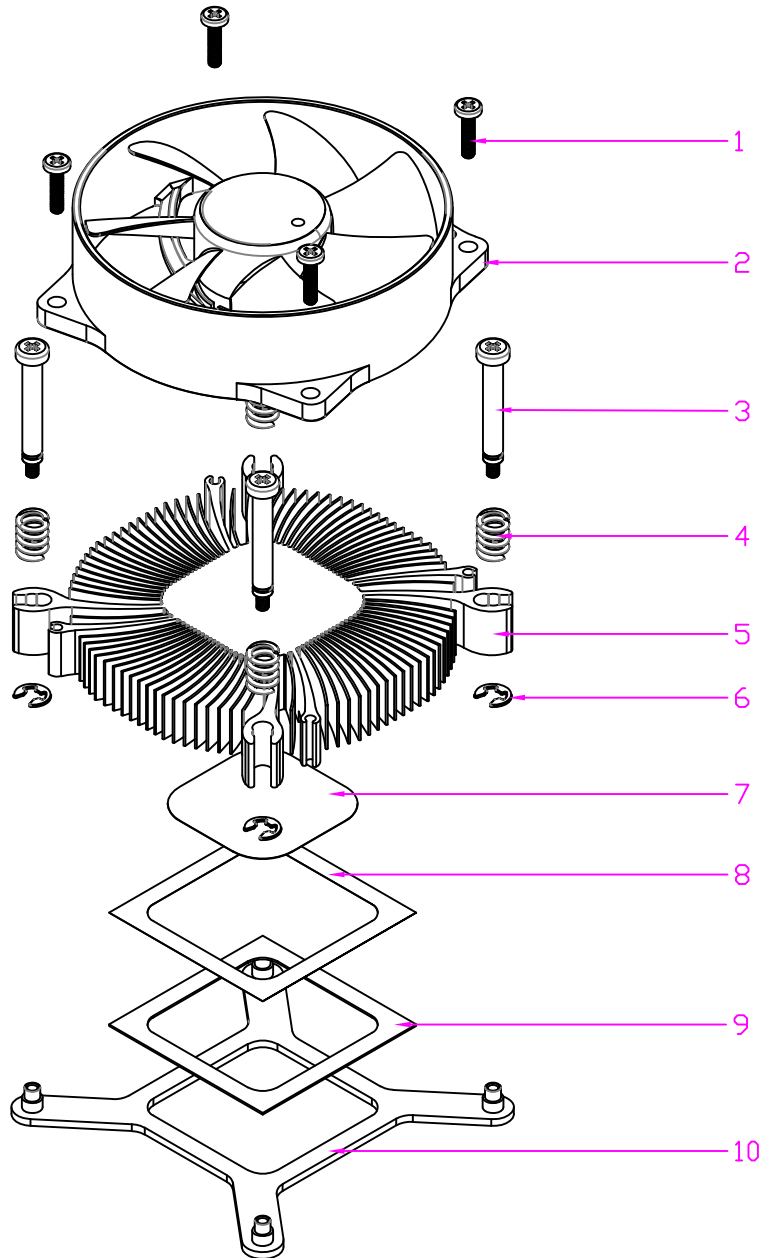
Performance Chart: Passive Cooler Q9 Thermal Resistance Thermal Resistance vs. Fan Speed (Duty Cycle and RPM)




CONFIDENTIAL DOCUMENT

THIS DRAWING CONTAINS INFORMATION PROPRIETARY TO DYNATRON CORPORATION AND DYMAED INDUSTRIAL CO., LTD. ANY REPRODUCTION, DISCLOSURE, OR USE OF THIS DRAWING IS EXPRESSLY PROHIBITED EXCEPT AS DYNATRON CORPORATION AND DYMAED INDUSTRIAL CO., LTD. MAY OTHERWISE AGREE TO IN WRITING.

REV#	DESCRIPTION	CHECKER	DATE
0.0	INITIAL RELEASE	Engr.	05/04/22



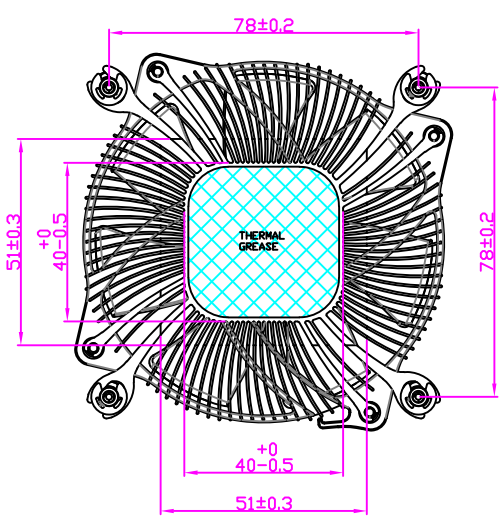
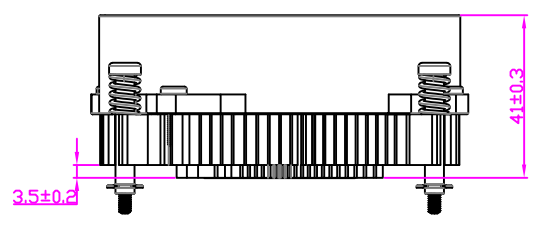
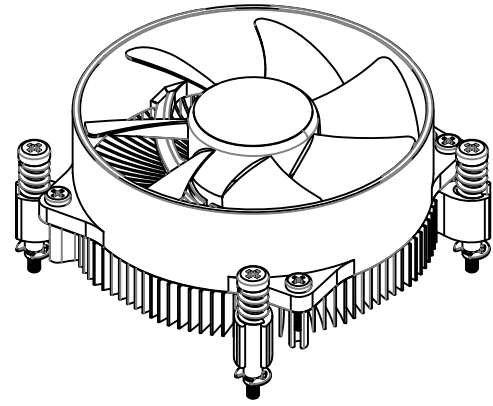
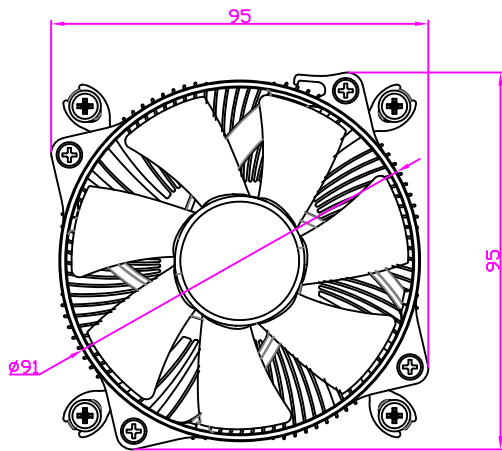
ITEM #	DESCRIPTION	MATERIAL	QTY.
10	BACKPLATE	SPCC	1
9	INSULATOR	FORMEX GK-17	1
8	STICKER	3M	1
7	THERMAL GREASE	SHIN-ETSU 7762	/
6	C-RING	STEEL	4
5	HEATSINK, EXTRUSION	ALUMINUM 6063-T6	1
4	SPRING	50600910G	4
3	SCREW, HEATSINK	50902130G	4
2	FAN, DF129225BU, 4000RPM	PLASTIC	1
1	SCREW, FAN, M3 TAPPING	STEEL	4

DATE		NAME		 DYNATRON CORPORATION
05/04/22	05/04/22	Engr.	Engr.	
DRAWN				TITLE: Customized Air Cooler Q9 BOM & Exploded Assembly Drawing
CHECKED				
ENG. APPR.				
MFG. APPR.				
QA				
COMMENTS				DWG. No: DYN-EP-Q9
				REV 0.0

NOTES:

1. THE FIGURE IS FOR REFERENCE ONLY, AND NOT FOR SCALE

REV#	DESCRIPTION	CHECKER	DATE
0.0	INITIAL RELEASE	Engr.	05/04/22



NOTES:
1. BOTH 78MM and 75MM MOUNTING HOLES ARE ON THE HEATSINK.

	NAME	DATE
DRAWN BY	ENGR	05/04/2022
CHECKED BY	ENGR	05/04/2022
ENG.APPROVED		
MFG.APPROVED	-	-



DYNATRON CORPORATION

TITLE: Customized Air Cooler Q9
Overall Dimension Drawing

CONFIDENTIAL DOCUMENT
THIS DRAWING CONTAINS INFORMATION PROPRIETARY TO DYNATRON CORPORATION AND DYNAEON INDUSTRIAL CO., LTD. ANY REPRODUCTION, DISCLOSURE, OR USE OF THIS DRAWING IS EXPRESSLY PROHIBITED EXCEPT AS DYNATRON CORPORATION AND DYNAEON INDUSTRIAL CO., LTD. MAY OTHERWISE AGREE TO IN WRITING.

VIEW		DWG. No:	REV.
UNITS	MM	DYN-BD-Q9	0.0

Q9 | Customized Air Cooler

Document history:

Rev 0.1: Thermal Performance Chart Added

Rev 0.0: Initial Release