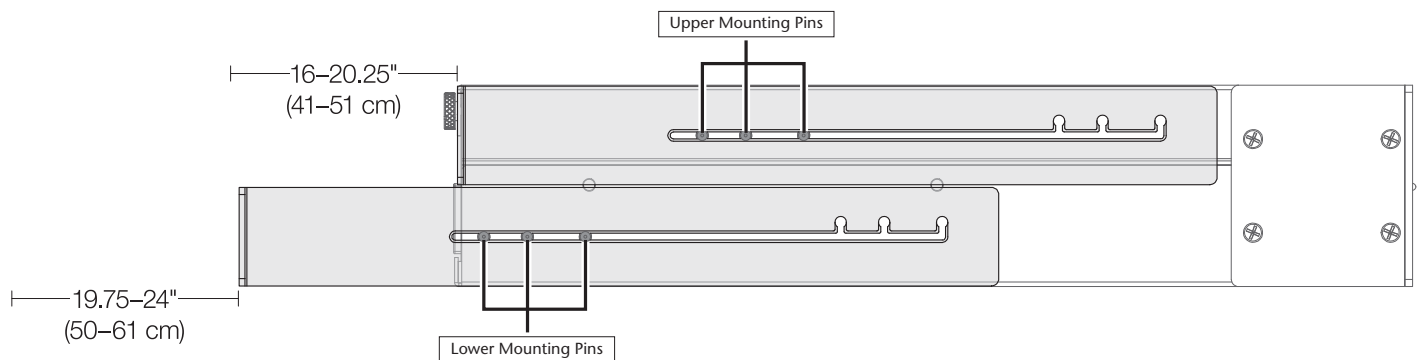


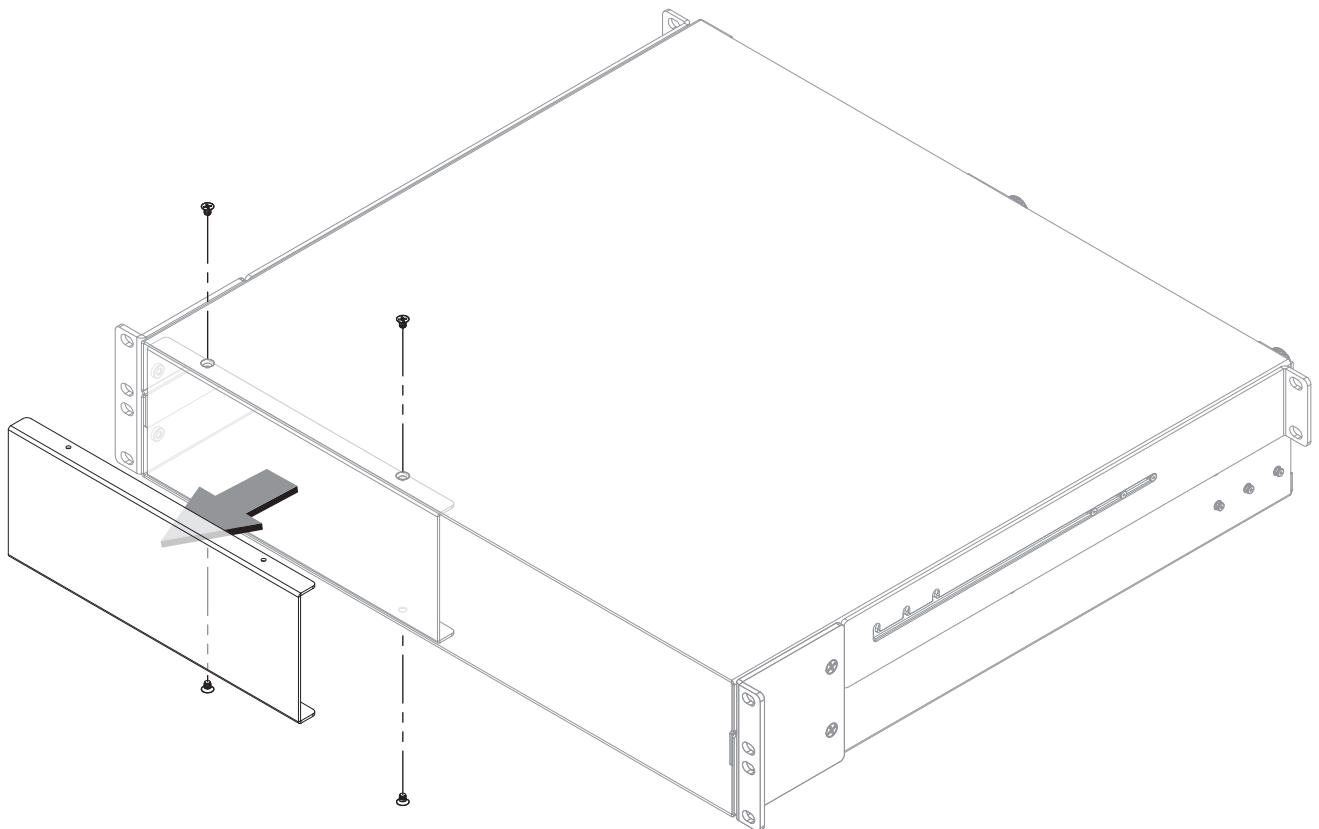
How to Prepare the Enclosure

1. Adjust or remove the extension rails as necessary before installing the enclosure.



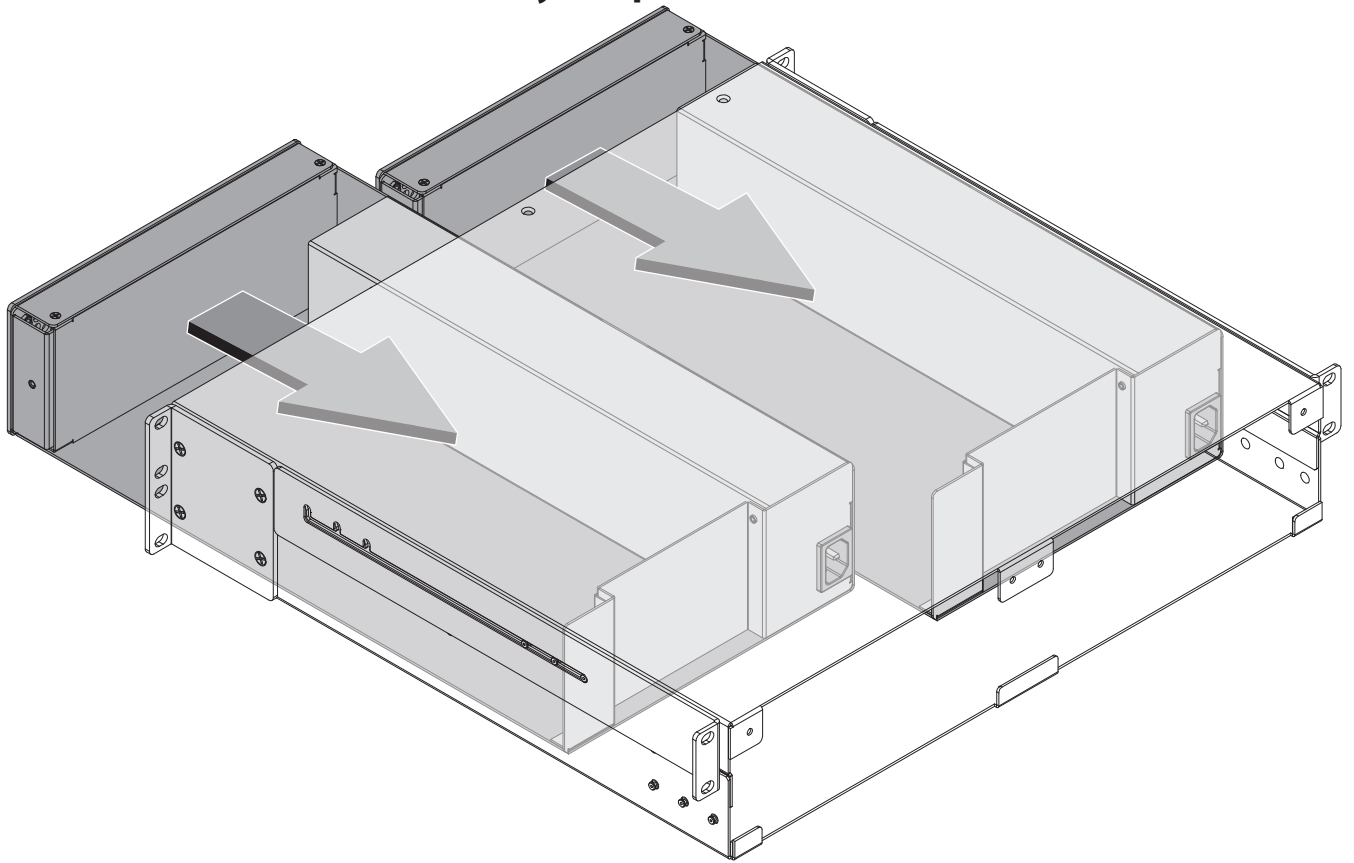
2. **Optional Step: Remove the cover plate.**

If you purchased the enclosure separately and you are going to install two modules, remove and set aside the four screws securing the cover plate inside the enclosure, and then remove and set aside the cover plate; you will not reuse these parts.

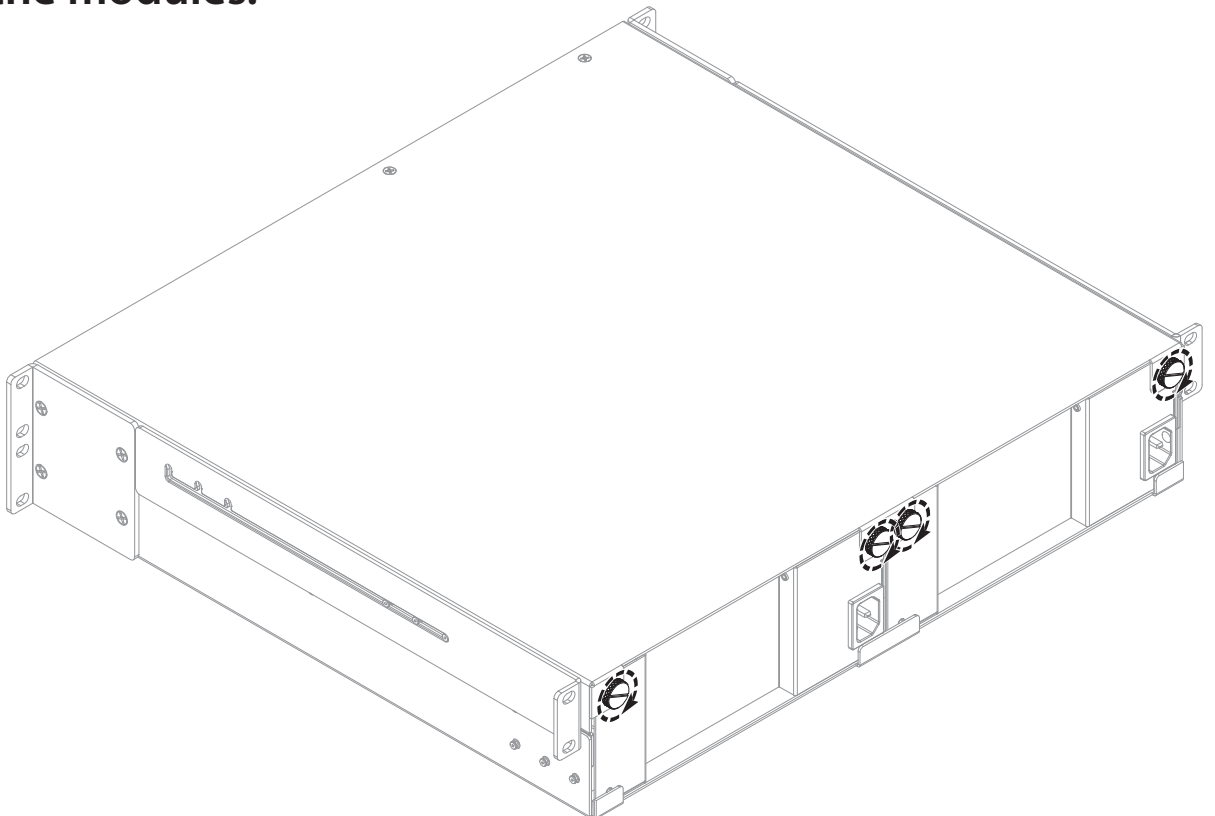


How to Install Modules

1. Insert the modules until they stop.

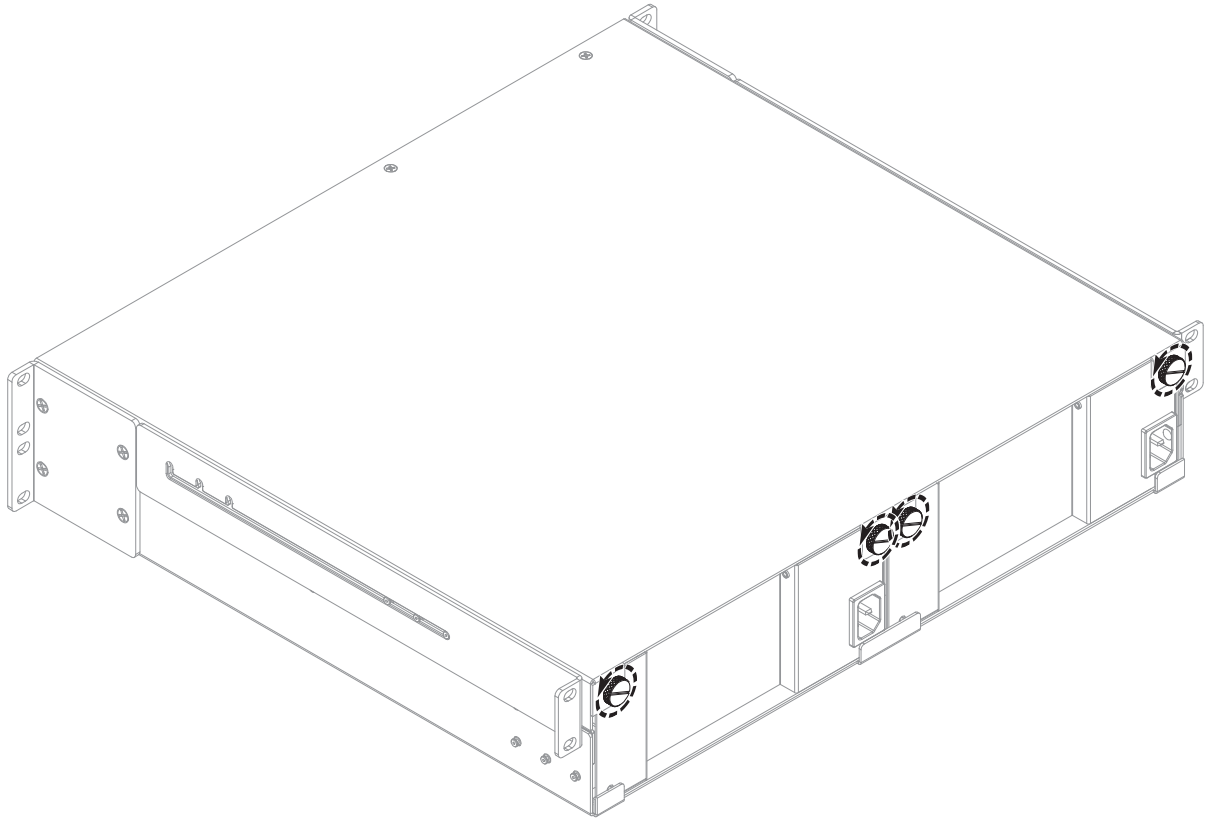


2. Secure the modules.



How to Remove Modules

1. Remove the screws.



2. Pull out the modules.

