

# Yaasa Desk Pro II

Extended original  
operating instructions

# YAASA DESK PRO II

The Yaasa Desk Pro II is a seating-standing desk ('desk') with electronic height adjustment for office and home use.

The Yaasa Desk Pro II with electrical height adjustment has been tested, and complies with the requirements relating to safety, durability and stability defined in EN 527-2:2016 + A1:2019. A comprehensive operating & installation manual ('manual') can be found on the Yaasa website ([www.yaasa.eu](http://www.yaasa.eu)).

Yaasa Living AG assumes no liability for any damage or injury resulting from improper installation and/or use of this desk.

## PROPER USE

This desk may only be used as a continuously adjustable sit-stand desk. The desk is exclusively intended for use in dry, indoor spaces (office environment, etc.). Any other use of this product is not recommended and takes place at the user's own risk.

## SAFETY INSTRUCTIONS, RESIDUAL RISK AND HAZARD INFORMATION

### **CAUTION**



**SAFETY NOTICE:** please read the instructions and safety precautions carefully before implementing the product in order to reduce the risk of burns, fire, electrical shock, personal or material damage. Keep the safety instructions near the desk for easy reference as needed. Provide the safety instructions to all other users of the desk as well. Anyone who uses this product daily or who is responsible for its installation, servicing or repair must follow these instructions carefully.



**ATTENTION:** always follow basic safety precautions when using electrical devices. IMPROPER USE AND ANY FAILURE TO COMPLY WITH OR OBSERVE THE INSTRUCTIONS AND WARNINGS REGARDING THE USE OF THIS PRODUCT MAY LEAD TO SERIOUS MATERIAL DAMAGE AND/OR INJURIES.

**This desk can be used by children aged 8 and up, as well as by persons with impaired physical, sensory or mental capacities or a lack of experience and knowledge, if they are supervised or have been instructed in the safe operation of the product and understand the hazards involved. Children under the age of 8** must be kept away from the electrically height-adjustable desk, the control units and the keypads..



The desk cannot support more than 80 kg of weight. The system can operate continuously for a maximum of 2 minutes. After that, the system must have a downtime of at least 18 minutes before it can be operated again.

The Yaasa Desk Pro II has a collision detection system (Intelligent System Protection, "ISP" for short). The ISP feature helps minimize damage and injuries due to pinching. However, the user is still responsible for proper use of the product.

The desk must be assembled and installed according to the included assembly instructions. Exercise caution when moving heavy parts and potential pinch points.

Assembly and adjustment of the desk requires 2 people.

The height-adjustment feature may only be used after the desk is fully and properly assembled.

Never use the desk to lift persons.

All of the included screws must be screwed in, tightened securely and checked at regular intervals.

The desk and its components cannot be modified, expanded or retrofitted in any way. Do not use any components that are not recommended by the manufacturer.

Do not open any electronic components, housings or covers as there is risk of electrical shock. Maintenance and repair work must be performed by trained specialists. Unplug all electrical cords before cleaning and/or servicing the desk.

Do not sit or stand on the desk, or crawl or lie under the desk, while it is being operated.

During a reset (when the desk is moved all the way to the bottom setting), there is a risk of being pinched between the leg and foot of the desk!

When the desk is moving up or down, be sure to keep a safe distance to avoid collisions and/or pinching between the desk and nearby items and/or persons. The person operating the desk must have an unobstructed view of the desk and its surroundings in order to supervise the desk's movement and to prevent collisions, damage or injuries when adjusting the desk position upward or downward. Do not place any items taller than 54 cm under the desk. When operating the desk, pay particular attention to persons as well as window frames, heating elements, office chairs, cabinets and other furniture.

The power cord poses a tripping hazard. Make sure the power cord is long enough for the desk's height-adjustment range and can move freely. Always keep the connection cord away from heated surfaces. Both of these guidelines also apply to other cords attached to devices on the desk.

Keep liquids away from the desk and its electronic components.

Do not use the desk if the connection cord or plug is damaged, **if the desk is not working as described in the instructions, if the desk has fallen down or tipped over and become damaged, or if the desk has gotten wet.**

# TECHNICAL PROPERTIES & PRODUCT DETAILS

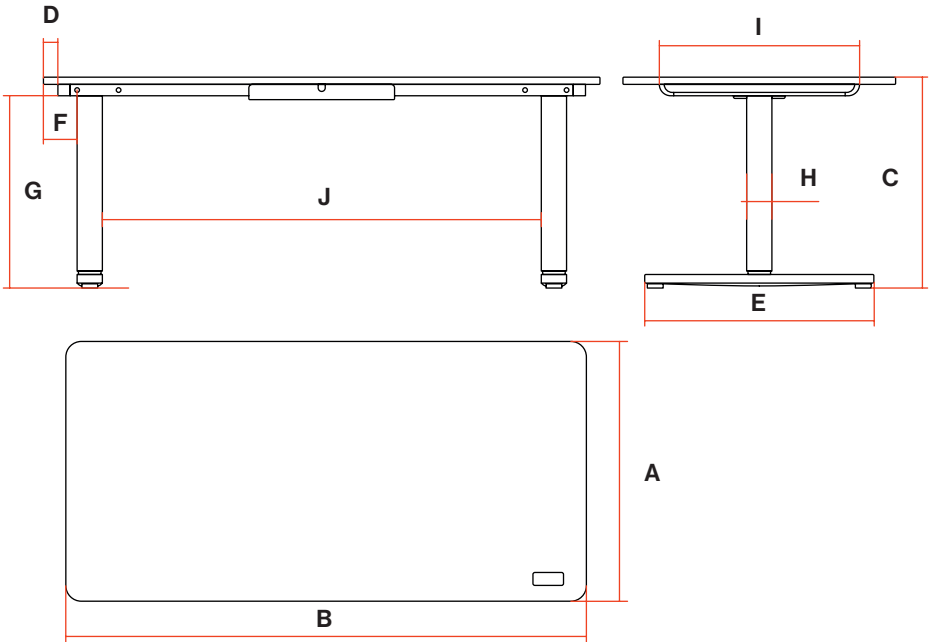
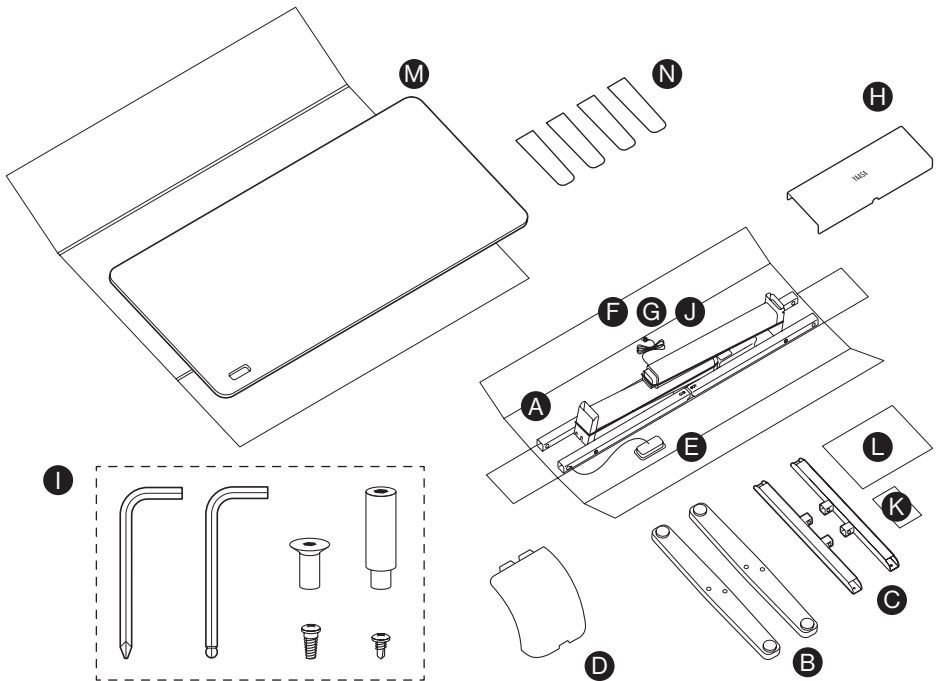


Table size	Weight	A	B	C	D	E	F	G	H	I	J
139 cm x 75 cm	36,64 kg	138	75	62- 128	2,4	67	8,2	54,5- 122,5	6,6	58	109
160 cm x 80 cm	39,50 kg	160	80	62- 128	4	67	9,8	54,5- 122,5	6,6	58	127
180 cm x 80 cm	41,41 kg	180	80	62- 128	5	67	10,8	54,5- 122,5	6,6	58	145

## EN

Frame:	made of powder-coated steel for desk tops: 138x75 to 180x80 with aluminium base including 4 levelling slides with a 10 mm thread
Height adjustment interval:	62 to 128 cm
Lifting speed:	38 mm/s
Lifting pillars:	3-stage
Max. loading:	80 kg
Input:	230 V / 50 Hz / 2 A
Switching cycles:	switched on for 2 minutes; switched off for 18 minutes
Safety function:	Collision detection (ISP)
Plug type:	Euro (3 m cable length)
Desktop:	Laminated chipboard (18 mm thickness) with high-quality HPL laminate and all-round plastic edge protector
Operating element:	raising and lowering, with memory function and display, also showing the desk height

# SCOPE OF DELIVERY



## Package 1 of 2

- A 1x table frame with table legs
- B 2x table feet with levelling sliders
- C 2x side profiles
- D 4x plastic cover for side profiles
- E 1x pre-wired keypad handset with memory function ('hand switch')
- F 1x power unit
- G 1x power cable
- H 1x cover plate for power unit
- I 1x screw kit with retaining clips and corresponding hand tools
- J 1x cable mounting
- K 1x operating instructions ('Manual')
- L 1x quick set-up instructions ('Assembly Guide')

## Package 2 of 2

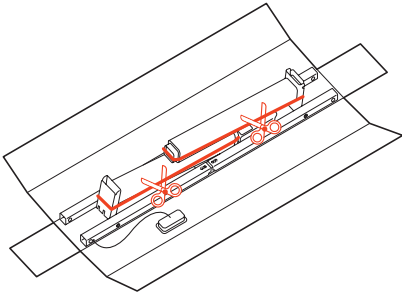
- M 1x desktop
- N 4x decorative inserts for table feet

# INSTALLATION & ASSEMBLY INSTRUCTIONS

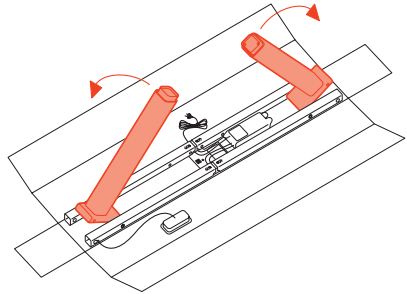


Always assemble the desk in accordance with the Assembly Guide. The Assembly Guide is supplied with the desk on a separate sheet of paper (package 1 of 2).

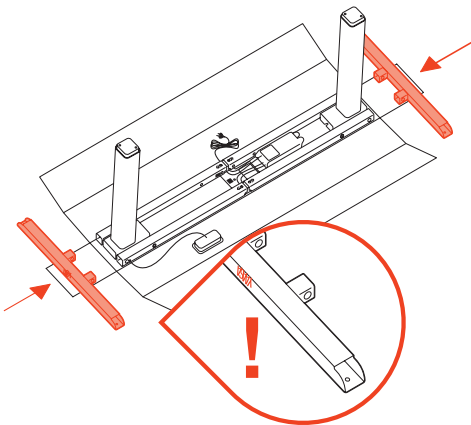
01



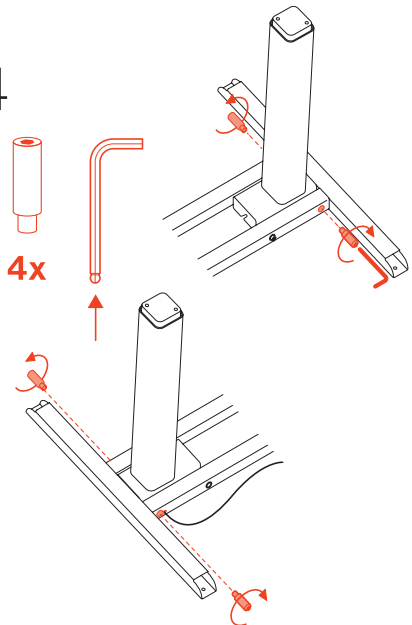
02



03

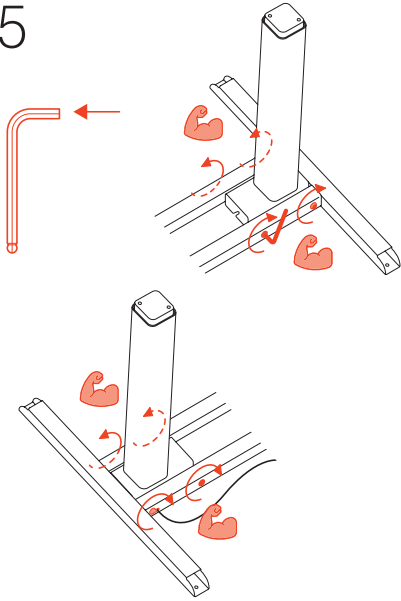


04

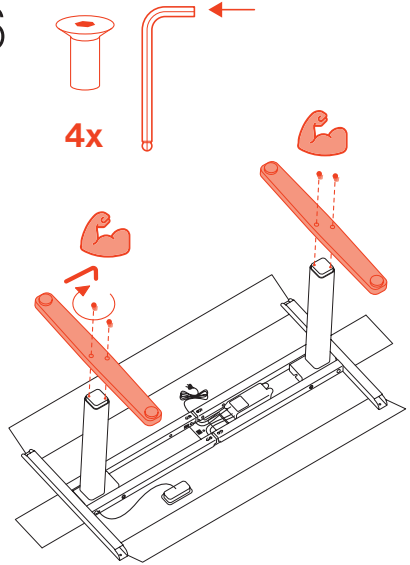




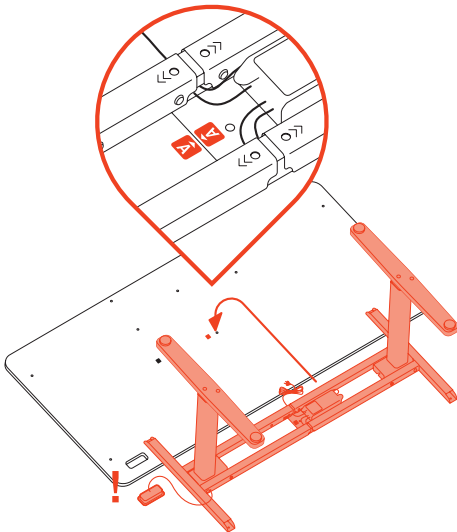
05



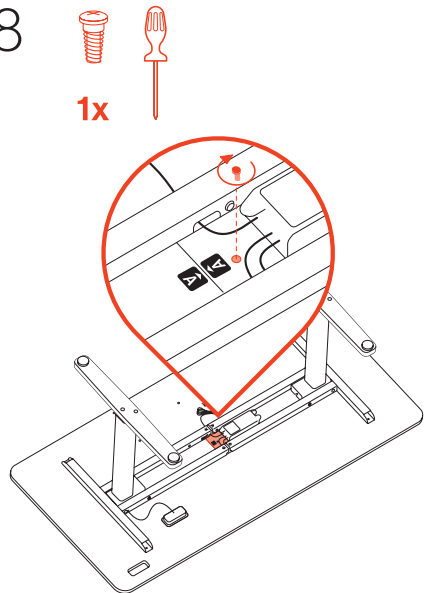
06



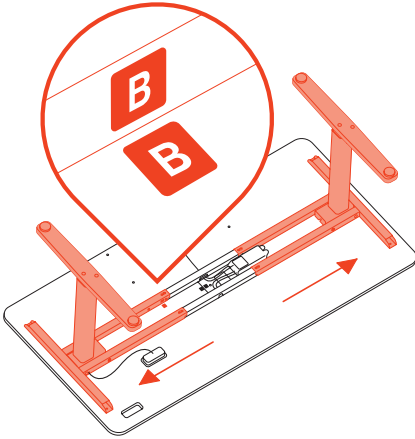
07



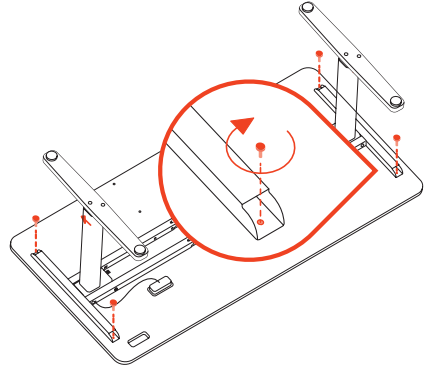
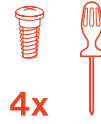
08



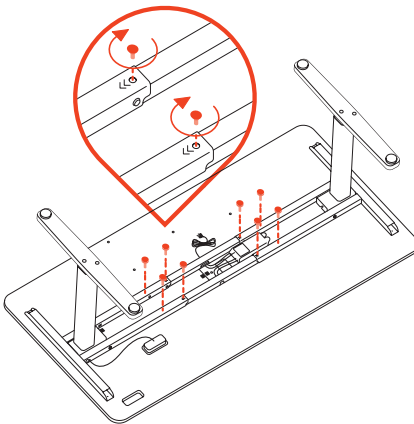
09



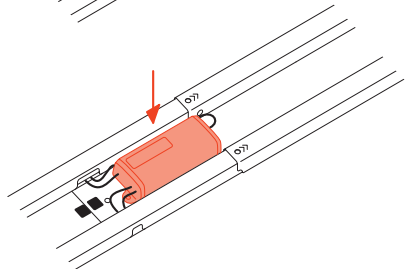
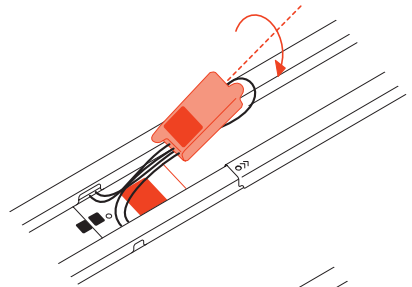
10



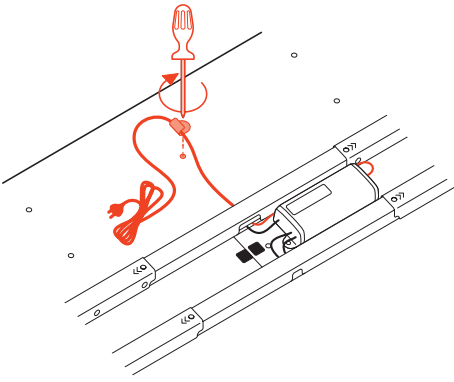
11



12



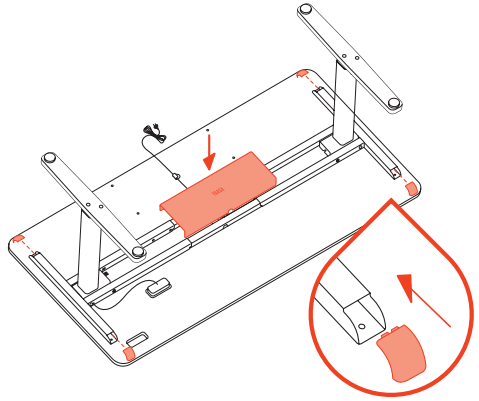
13



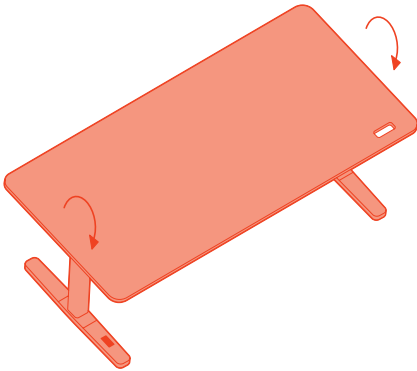
14



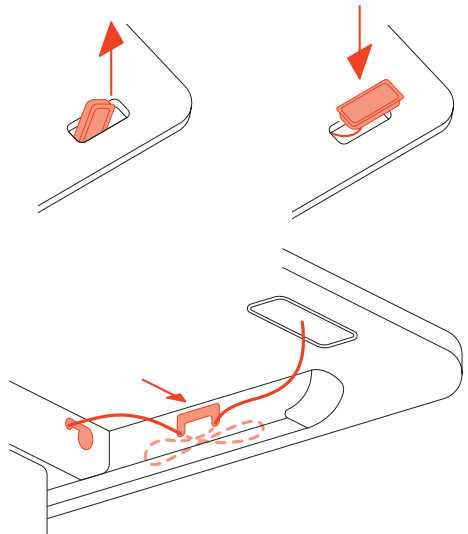
4x



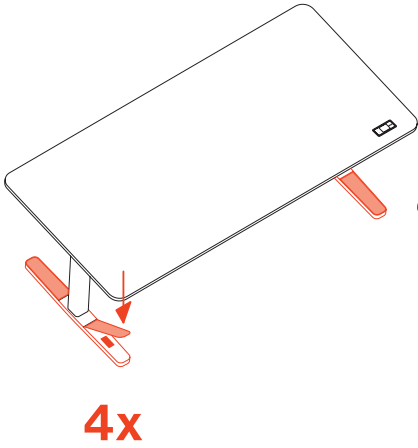
15



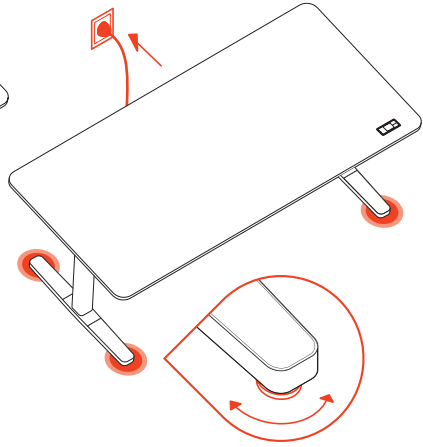
16



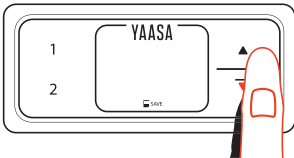
17



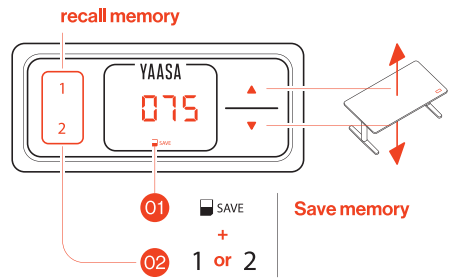
18



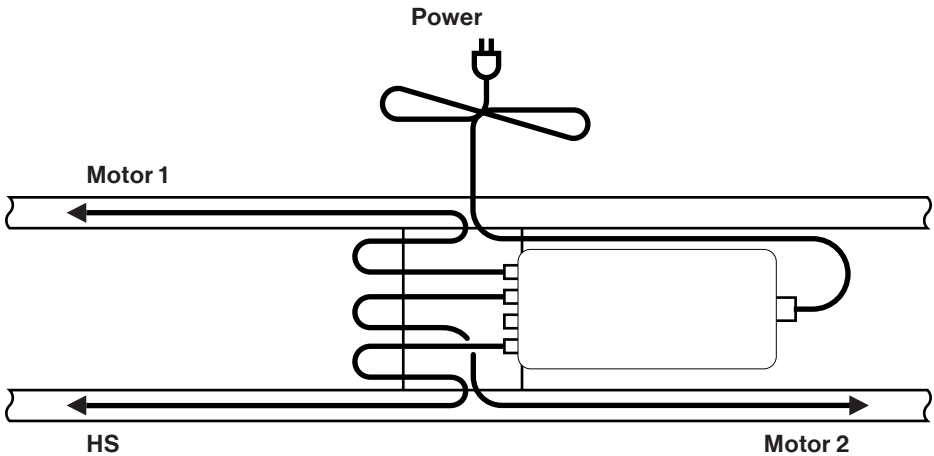
19



5 sec.



The following cable routing is recommended:



## COMMISSIONING AND USE OF THE DESK

- 1 After installation of the desk, the levelling slides on the feet must be adjusted until the desk is horizontal and stable.
- 2 Position the desk near a power socket and plug the power cable into the socket. The desk is now ready to use.

# FAQs AND TROUBLESHOOTING

A detailed set of troubleshooting instructions can be viewed at [www.yaasa.eu](http://www.yaasa.eu).

## FUNCTIONS

### Setting the desk height

Press the Up and Down arrow keys on the keypad handset to raise or lower the desk.



The desktop moves up or down until you release the key, or until the maximum or minimum desk height is reached.

### Engagement duration

The desk mechanism cannot be operated continuously for more than 2 minutes at a time. If this time is exceeded, an 18-minute rest period is initiated. After this break, the desk can be operated normally again. Excessive use can cause lasting damage to the electronic components and can render the warranty null and void.

### Lowering completely

Whenever the desk reaches a height 3 cm above its lowest position, it stops automatically. By pressing the 'Desktop down' arrow on the keypad handset again, the desk can then be lowered to its lowest position, at reduced speed.

### Saving the memory position

This function saves a desktop height defined by you. A desktop height can be saved to each memory position key on the keypad handset. Proceed as follows to save a desktop height:

073  Move the desktop to the desired height (e.g. 73 cm).

 SAVE Press the memory key.

S - S - appears on the display.

 Press the desired memory position key, e.g. 2.


S 2 S 2 appears on the display.


Your desired height is now saved to the desired memory position key. To activate that height setting in memory, press and hold down the memory position key until the desk reaches the predefined height and comes to a stop.

### Manual reset

If the actual desktop height no longer matches the displayed desktop height, you may need to initiate a manual reset to redefine the lowest desktop position.

 Press the '**Desktop down**' key.

 Press and hold down the '**Desktop down**' key until the desk legs are fully retracted. The desk stops 3 cm before this point, then moves into the 'Complete lowering' mode described above. Once again, press and hold down the 'Desktop down' key until the desk legs are fully retracted and the desk stops moving.

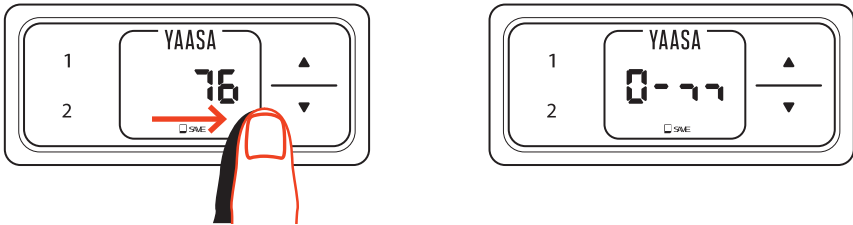
 Press the '**Desktop down**' key again and continue to hold it down.

After about 5 seconds, the desktop is lowered further until it reaches the lowest reset desktop position.

Release the '**Desktop down**' key. It is then possible to use the electrical height adjustment feature on the desk normally again.

## Keylock

Enabling the keylock function prevents you from adjusting the desktop by pressing a key accidentally. The keylock function can be enabled by moving a finger slowly across the **bottom edge** of the keypad handset. Important: The display must be active for you to activate the keylock function. To activate an inactive display, press any key. Whenever you enable the keylock function, a key symbol is displayed on the screen. To disable the keylock function, move a finger slowly across the **bottom edge** of the keypad handset.



To deactivate the key lock, slide your finger slowly over the lower edge of the control element.

## Collision detection system (Intelligent System Protection = ISP)

The Intelligent System Protection (ISP) is the collision detection system for the integrated drive system. The aim is to reduce the risk of system damage when using LOGICDATA products. If there is an obstacle in the operating range of a desk, and if this obstacle collides with the desk, this change in load has an impact on the drive components. As soon as the system detects a change in load of this kind, all drives stop immediately, then move in the opposite direction for a few seconds.

## Factory Reset

Here is how to perform a factory reset of the Yaasa Desk Pro II using a memory keypad handset:



Press and hold down the following keys for 3 seconds:  
(memory keys 1 and 2 and the 'Desk up' key)

S 4

An S is displayed on screen with a numeral.



Press the 'Desk down' key  
until S 0 is displayed on screen.

S 0

The display shows S0.



Press the memory key.



# CLEANING AND CARE



The power cable on desk must be unplugged from its mains socket before all care or maintenance work on the desk.

For slight and normal levels of soiling, the desktop can be cleaned using a paper towel, a soft, clean cloth (dry / damp) or a non-abrasive sponge (damp). Use conventional domestic detergents or soaps.

To avoid smearing, you should wipe down the surface with a little hot water, then dry it with normal paper or microfibre cloths.

Do NOT use the following items to clean your desk:

- abrasive and scraping agents such as abrasive powders & sponges and steel wool;
- polish, washing powder, furniture cleaner, bleach;
- cleaning agents with powerful acids and acidic salts
- steam cleaners

# MAINTENANCE

After about a week of use, check to ensure that all screws are still tightened firmly. If necessary, tighten the screws back down using a torque wrench.

# DISPOSAL



The product must be disposed of for recycling in accordance with local waste disposal regulations. By disposing of the product separately, you are helping to minimise the volume of waste for incineration and landfill, which in turn helps to reduce any adverse impacts on human health and the environment.

# RETURN OF GOODS AND WARRANTY

Right of exchange and return of goods for up to 14 days from the date of purchase.

Legal warranty of 2 years subject to proper use.

# CONTACT

After purchasing this desk, should any problems occur, and for all questions about the product, please contact Customer Service at our (online) shop (by phone or e-mail).

For any further information, in the event of problems occurring as well as for any further questions you may have, please contact

Yaasa Living AG  
St. Leonhardstrasse 45  
9000 St. Gallen, Switzerland

[www.yaasa.eu](http://www.yaasa.eu)  
[info@yaasa.com](mailto:info@yaasa.com)

© Yaasa Living AG 2020

# EC/EU DECLARATION OF CONFORMITY



Manufacturer: Yaasa Living AG  
St. Leonhardstrasse 45  
9000 St. Gallen, Switzerland

Person authorized to compile the technical documents: Stephan Egger  
Yaasa Living AG, President of the Board of Directors  
St. Leonhardstrasse 45  
9000 St. Gallen, Switzerland

The manufacturer hereby declares, on its sole responsibility, that the following product:

Product name: Yaasa Desk Pro II  
Product description: Electrically height-adjustable sit-stand desk  
for office and home use  
Type designation: Yaasa Desk Pro II EU  
Serial number: see type plate

## **fulfills all of the relevant provisions of the following directives:**

- Directive (2006/42/EC) on machinery (Machinery Directive); as per Annex I Section 1.5.1 of the Machinery Directive, the safety goals of Directive (2014/35/EU) regarding electrical equipment for use within certain voltage limits (Low-Voltage Directive) are also covered
- Directive (2014/30/EU) on electromagnetic compatibility (Electromagnetic Compatibility Directive)

## **In particular, the following harmonized standards and/or technical specifications were applied:**

- EN 527-2:2016 + A1:2019
- EN 60335-1:2012 + A11:2014 + A13:2017
- EN 50663:2017
- EN 62479:2010
- EN 61000-6-3:2007 + A1:2011
- EN 61000-3-2:2014
- EN ISO 12100:2010
- EN 62233:2008
- EN 50581:2012
- EN 61000-6-1:2007
- EN 61000-6-2:2005
- EN 61000-3-3:2013

Complete technical documentation is available. Operating instructions for the machines have been provided in the original version.

It is hereby confirmed that the abovementioned products correspond to the stated EC/EU directives. This declaration shall become invalid if the products are reworked or modified without our permission.



Yaasa Living AG  
St. Leonhardstrasse 45  
CH-9000 St.Gallen

[www.yaasa.de](http://www.yaasa.de)  
[www.yaasa.eu](http://www.yaasa.eu)