



msi



A750G
A850G
A1000G

POWER SUPPLY UNIT

User's Manual

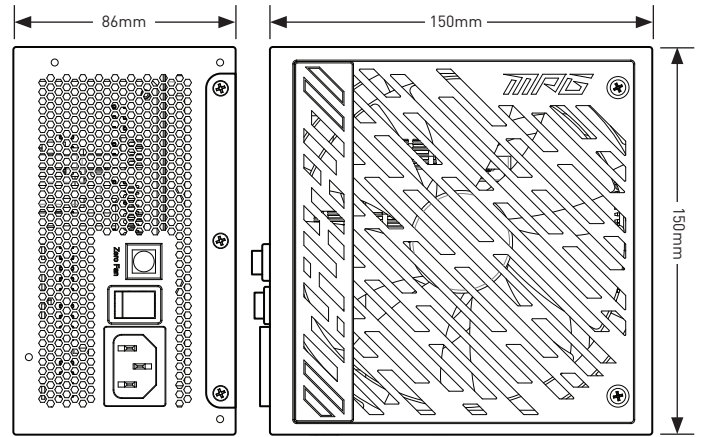
전원 공급 장치 사용 설명서

電源供應器使用手冊

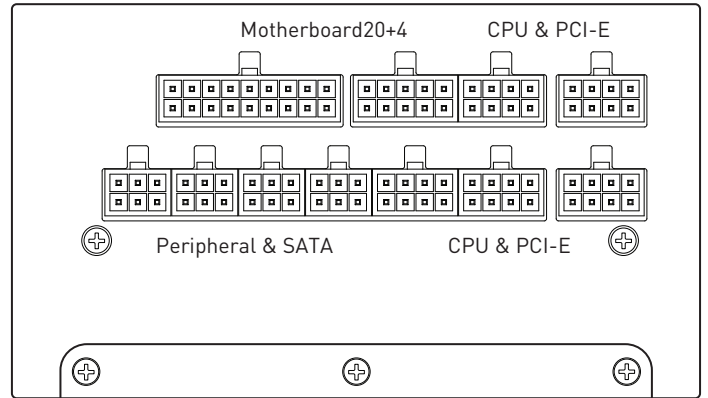
PC電源使用手冊

Блок питания Руководство пользователя

Dimensions/ 치수/ 外型尺寸/ Размеры



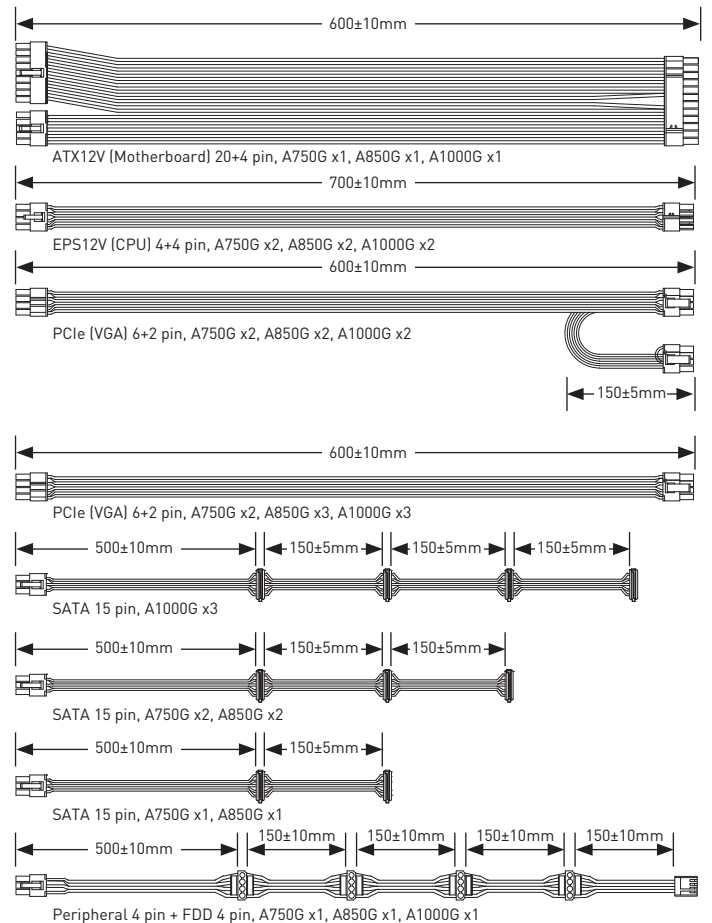
Detachable Connectors/ 분리 가능한 커넥터/ 可拆卸接頭/ 可拆卸接头/ Кабельные интерфейсы



Number of Power Connectors/ 전원 커넥터 수량/ 電源接頭數量/ 电源接头数量/ Кол-во силовых соединителей

Power Connectors	A750G	A850G	A1000G
ATX12V (Motherboard) 20+4 pin	1	1	1
EPS12V (CPU) 4+4 pin	2	2	2
PCIe (VGA) 6+2 pin	6	7	7
SATA 15 pin	8	8	12
Peripheral 4 pin	4	4	4
FDD 4 pin	1	1	1

Connectivity and Cable Lengths/ 연결 및 케이블 길이/ 連接頭和電纜長度/ 连接性和电电缆长度/ Подключение и длина кабелей



Specifications/ 사양/ 規格/ 规格/ Спецификация

750W					
Voltage	+5V	+3.3V	+12V	-12V	+5Vsb
Max load	22.0A	22.0A	62.5A	0.3A	3.0A
Min load	0.0A	0.0A	0.0A	0.0A	0.0A
Combined power (+5V&+3.3V)	120W		750W	3.6W	15.0W
Total Power	750W				
Regulation	±5%	±5%	±5%	±5%	±5%
Ripple & Noise	30mVp-p	30mVp-p	50mVp-p	40mVp-p	40mVp-p

850W					
Voltage	+5V	+3.3V	+12V	-12V	+5Vsb
Max load	22.0A	22.0A	70.8	0.3A	3.0A
Min load	0.0A	0.0A	0.0A	0.0A	0.0A
Combined power (+5V&+3.3V)	120W		850W	3.6W	15.0W
Total Power	850W				
Regulation	±5%	±5%	±5%	±5%	±5%
Ripple & Noise	30mVp-p	30mVp-p	50mVp-p	40mVp-p	40mVp-p

1000W					
Voltage	+5V	+3.3V	+12V	-12V	+5Vsb
Max load	22.0A	22.0A	83.3A	0.3A	3.0A
Min load	0.0A	0.0A	0.0A	0.0A	0.0A
Combined power (+5V&+3.3V)	120W		1000W	3.6W	15.0W
Total Power	1000W				
Regulation	±5%	±5%	±5%	±5%	±5%
Ripple & Noise	30mVp-p	30mVp-p	50mVp-p	40mVp-p	40mVp-p

• **MPG A750G**



제품명: 컴퓨터용 전원공급장치
 모델명: MPG A750G
 A/S TEL: 1644-4038
 제조자 및 제조국가: Channel Well
 Technology (Guangzhou) Co., Ltd.
 제조국가: 중국

XU100111-22088A
 R-R-MSI-MS-7ZP5A

• **MPG A850G**



제품명: 컴퓨터용 전원공급장치
 모델명: MPG A850G
 A/S TEL: 1644-4038
 제조자 및 제조국가: Channel Well
 Technology (Guangzhou) Co., Ltd.
 제조국가: 중국

XU100111-22089A
 R-R-MSI-MS-7ZP5C

• **MPG A1000G**



제품명: 컴퓨터용 전원공급장치
 모델명: MPG A1000G
 A/S TEL: 1644-4038
 제조자 및 제조국가: Channel Well
 Technology (Guangzhou) Co., Ltd.
 제조국가: 중국

XU100111-22090A
 R-R-MSI-MS-7ZP5C

Model No.: MPG A750G, MPG A850G, MPG A1000G