

## Integral C Series 2.5" SATA III 6Gbps SSD



120 GB

240 GB

480 GB

960 GB

### INTRODUCTION

The Integral C Series SSD offers great performance, reliability and value. It is ideal for use in desktops and laptops where you are looking to boost the speed of an older computer by replacing the hard drive with a Solid State Drive. The C Series will deliver faster data read/write speeds along with low power operation – in comparison to traditional client HDD.

### PRODUCT OVERVIEW

Choose the C Series SSD to boost the performance of your existing hardware and extend its useful life. It will speed up your daily OS boot times and increase the speed of your applications, overall giving you the best experience of Solid State performance computing.

### BENEFITS

- Enhanced performance: faster boot than HDD, faster access to applications, enhanced productivity and increased efficiency
- Read up to 530MB/s\*, Write up to 500MB/s\*
- No mechanical parts
- Highest reliability; less likely to fail than HDD
- Extreme shock resistance
- Zero noise
- No heat generation
- Low power consumption - improved battery life on laptops/netbooks

### FEATURES

- 2.5 inch form factor with SATA III 6Gbps interface (backwards compatible with SATA 3Gbps and SATA 1.5Gbps)
- Performance: Faster boot than HDD, Faster access to applications, enhanced productivity and increased efficiency
- Fully compatible with devices and OS that support the SATA standard
- Non-volatile Flash Memory for outstanding data retention
- Shock resistance – no moving parts enable the product to be used in tougher conditions
- Silent operation - Noiseless
- Ultra-efficient Block Management and Wear Levelling
- Supports S.M.A.R.T. - Self-Monitoring, Analysis and Reporting Technology
- CE, FCC and RoHS compliant
- 3 Year Warranty

\*960GB model performance.

CAPACITIES & INTERFACE	
Capacities available	120GB, 240GB, 480GB, 960GB.
Form Factor	2.5 Inch
NAND	TLC
Controller Technology	SM2258XT
Interface	SATA III 6Gbps Also Compatible with SATA II 3Gbps Also compatible with SATA III 1.5Gbps
Sequential Speed (up to) <sup>1</sup>	120GB = READ 515MB/s, WRITE 400MB/s 240GB = READ 515MB/s, WRITE 470MB/s 480GB = READ 515MB/s, WRITE 470MB/s 960GB = READ 530MB/s, WRITE 500MB/s
DIMENSIONS	
Length mm	100.18
Width mm	69.85
Height mm	7.0
Weight (Max)	45g
E-tail Packaged Weight	64g
E-tail Packaged Dimensions (mm)	L = 133, W = 117, D = 13

POWER CONSUMPTION	
Power Management	5V
Power Consumption (mW) <sup>2</sup>	120GB – Read 1450, Write 1500, Idle 380 240GB – Read 1600, Write 1750, Idle 380 480GB – Read 1710, Write 1770, Idle 390 960GB – Read 1600, Write 1490, Idle 385
ENVIRONMENTAL	
Operating Temp	0° - +70°C
Storage Temp	-40° - +85°C
Humidity <sup>3</sup>	RH 90% under 40°C operational
Shock	1500g, DURATION 0.5MS, Half Sine Wave
FEATURES	
Supports SMART Software	Yes
Supports TRIM	Yes (OS support required)
TBW <sup>4</sup>	120GB = >60 240GB = >120 480GB = >240 960GB = >480
MTBF	1.5 Million Hours
Compliance	CE, FCC, RoHS
WARRANTY	
3 years	

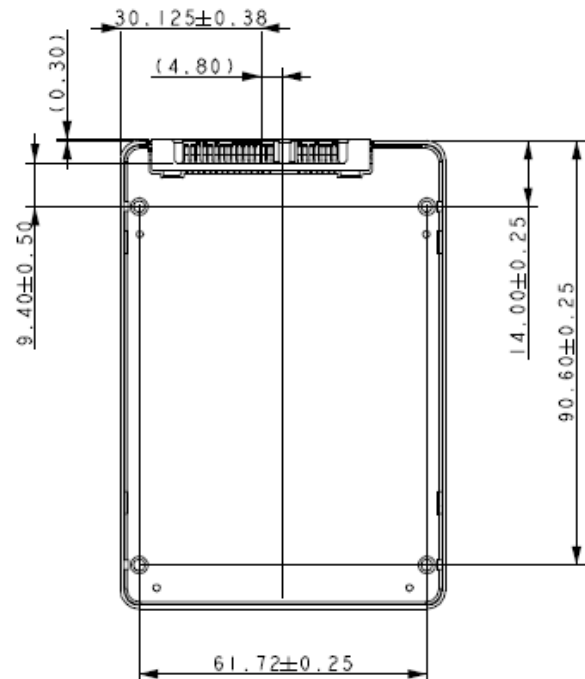
## E-tail packaging order codes

CAPACITY	PART CODE	BARCODE (EAN)
120GB	INSSD120GS625C1	5055288443754
240GB	INSSD240GS625C1	5055288443761
480GB	INSSD480GS625C1	5055288443778
960GB	INSSD960GS625C1	5055288443785

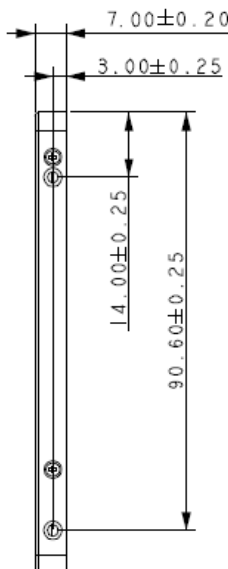
1. Performance based on "out of the box" internal testing measured under ambient temperature. Sequential RW is measured using ATTO.
2. Power Consumption may differ according to flash configuration and platform.
3. Humidity test was for 4 hours
4. TBW is a measurement of SSDs expected lifespan, which represents the amount of data written to the device. This is only an estimate and can differ based in user usage behavior and platform. (TBW) is derived from the JEDEC Client Workload (JESD219A).

E&OE. Product design and specification subject to change or modification without notice.

## Bottom View



## Side View



## Top View

