

➤ Instructions

Thule Glide 2
101019XX



CONTENTS

1	INTRODUCTION				
1.1	Manual Intended Use	04			
1.2	Carrier Intended Use	04			
1.3	Specifications	04			
1.4	Storage	04			
2	SAFETY				
2.1	Symbols and Instructions	05			
2.2	General Safety Instructions	05			
3	GETTING STARTED				
3.1	Included Components	07			
3.2	Unfolding the Carrier	08			
3.3	Folding the Carrier	09			
3.4	Installing the Wheels	10			
3.5	Removing the Wheels	10			
3.6	Installing the front wheel	11			
4	USE & FEATURES				
4.1	Setting the Parking Brake			12	
4.2	Child Placement and Seatbelt			13	
4.3	Aligning the front wheel			14	
4.4	Adjusting the Handlebar			14	
4.5	Adjusting the Reclining Seat			15	
4.6	Using the Safety Wrist Strap			16	
4.7	Using the Canopy			16	
5	ADDITIONAL INFORMATION				
5.1	Accessories			18	
5.2	Service and Care			18	
5.3	Storage			19	
5.4	Wear and Tear			19	

1 INTRODUCTION

Thank you for choosing a Thule Glide 2. Your new carrier offers quality, safety features and comfort.

PLEASE NOTE:

Thule retains all rights to this Owner's Manual. No text, details, or illustrations from this manual may be reproduced, distributed, or become the subject of unauthorized use for commercial purposes, nor may they be made available to others. The manual for using this carrier may be downloaded from www.thule.com. Great care has been taken in assembling this manual. Nevertheless, should you discover any errors, we would be grateful if you could bring them to our attention.

1.1 MANUAL INTENDED USE

Who is this manual intended for?

This manual is intended for the purchaser and user of the carrier, who is also responsible for keeping it in proper condition, carrying out maintenance as prescribed and performing repairs.

1.2 CARRIER INTENDED USE

Use as intended







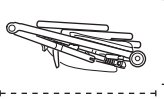
The carrier is intended for use within the performance ranges specified for the carrying of children in daylight hours, on sidewalks and smooth paths. Luggage may also be carried in the storage bags intended for that purpose, provided the children in the carrier are not put at risk.

If the child carrier is used in conditions of poor visibility, at dusk or in the hours of darkness, it is highly recommended to be fitted with a safety approved working light set. As part of the recommended use, you should also follow this Owner's Manual and comply with the prescribed maintenance requirements.

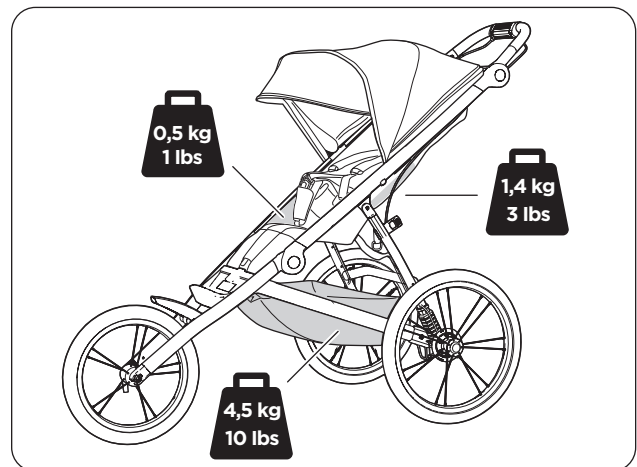
Use not recommended

Any use that goes beyond the above is not recommended. Use not recommended is primarily the conveying of people together with animals, use of this carrier on rough off-road terrain, use for commercial purposes, overloading, excessive speed and improper repair of defects or modifications. The manufacturer is not liable for damages arising from use that is not recommended - this is at the risk of the user.

1.3 SPECIFICATIONS

Thule Glide 2	
	
	6 m - 4 y
	22 kg 49 lbs
	34 kg 75 lbs
	111 cm 43.7 inch
	93.5 x 58 x 33 cm 36.8 x 22.8 x 9 inch

1.4 STORAGE



WARNING

Max cargo weight in the cargo tray is 4.5 kg (10 pounds)

Max cargo weight in the back mesh pocket is 1.4 kg (3 pounds)

Max weight in the side mesh pocket is 0.5 kg (1 pounds)

2 SAFETY

The safe use of this child carrier is vital to the enjoyment of it. For that reason it is extremely important that you familiarize yourself with the safety instructions in this manual and follow them whenever you use this child carrier.

2.1 SYMBOLS AND INSTRUCTIONS

This owner's manual uses warnings and notices throughout to emphasize safety and optimal use information.



WARNING

Warnings provide instructions critical to the safe use and operation of this Thule child carrier. Failure to follow these instructions could result in an accident, potentially causing serious injury or death to you and/or your passenger(s).

NOTICE

Notices provide additional instructions to make using the product easier.

2.2 GENERAL SAFETY INSTRUCTIONS

- Important – Keep these instructions for future reference.
- Your child's safety may be affected if you do not follow these instructions.
- Never leave the child unattended.
- Put on the park brake whenever you park this child carrier.
- Do not carry extra children or bags on this child carrier.
- This child carrier will become unstable if the manufacturer's recommended load is exceeded.
- Do not use with children who exceed the weight limitations.
- The user of this child carrier must be aware of exposure hazards such as wind chill and heat exhaustion, either by less active children in prolonged exposure in colder temperatures, or by extended periods in warmer temperatures without adequate ventilation or hydration.

- Do not allow any of the children's body, clothing, shoe laces, or toys to come into contact with moving parts.
- Care must be taken when folding and unfolding this child carrier to prevent finger entrapment. Ensure children are clear of any moving parts, otherwise they may be injured.
- Do not install a car seat or any other seating device not approved by Thule on this child carrier.
- Only use Thule approved rack products otherwise this child carrier will become unstable if any other parcel bag or rack is used.
- Do not use any accessory products which are not approved by Thule.
- Do not use any cleaning solvents on this child carrier, clean only with mild soap and water.
- Make no modifications to this child carrier.
- Do not use this child carrier around or near an open fire or exposed flame.
- Do not operate a Thule child carrier without reading and understanding this manual
- Carrier shall be used only for up to the number of children for which it has been designed.
- It is unsafe to use any accessories or replacement parts that are not approved by Thule.
- This vehicle does not replace a cot or a bed. Should your child need to sleep, then it should be placed in a suitable pram body, cot or bed.



WARNING

- Do not let your child play with this product.
- Avoid serious injury from child falling or sliding out. Always use the seat belt
- This product is not suitable for skating.
- This product is not suitable for running unless front wheel is locked in jogging mode or approved Thule jogging kit is installed.
- Any load attached to the handlebar affects the stability of the child carrier.

3 GETTING STARTED

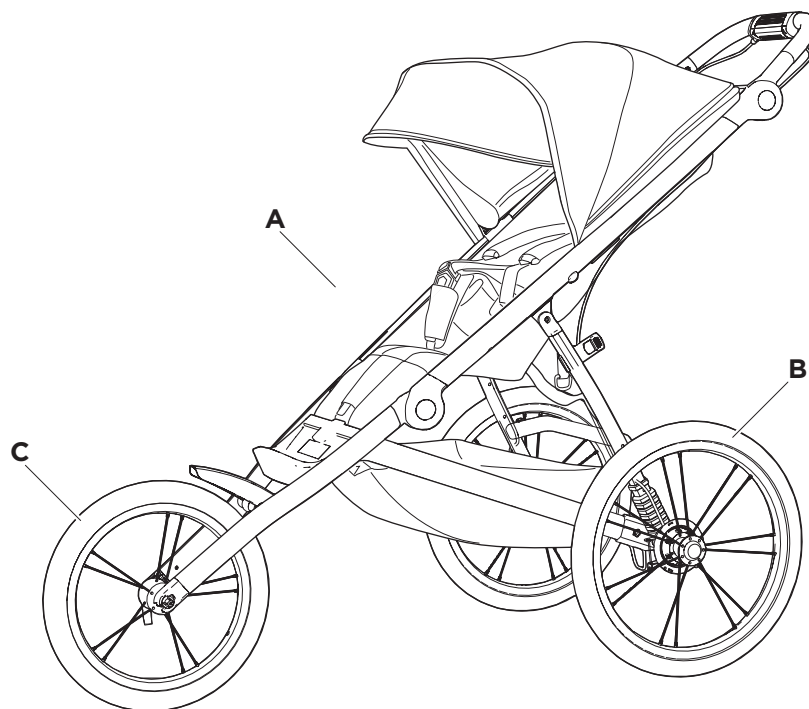
3.1 INCLUDED COMPONENTS

Verify that your carrier was packaged with the following items:

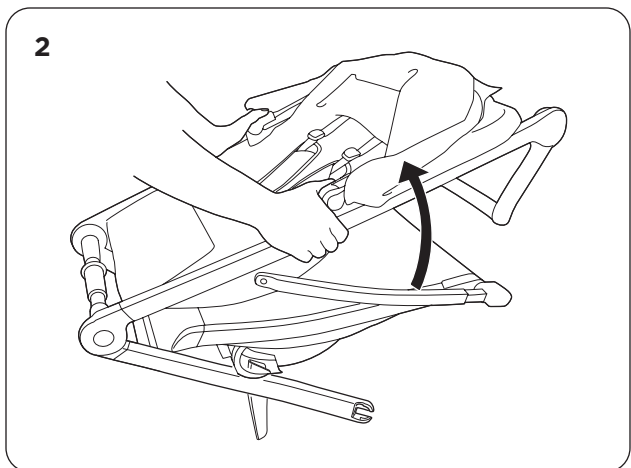
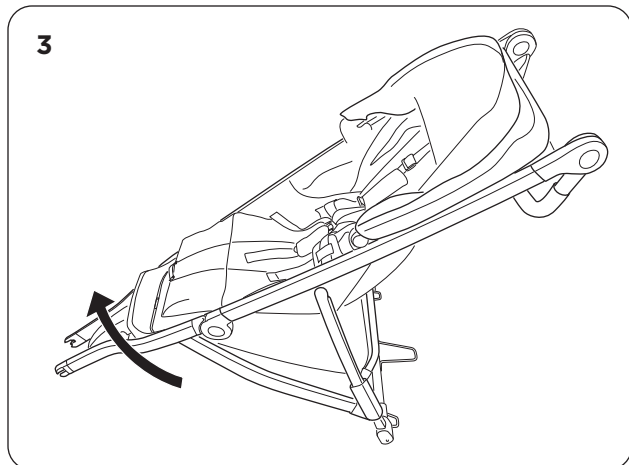
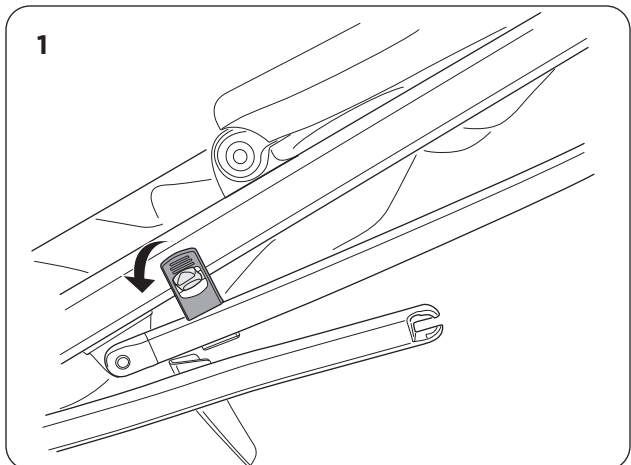
- A Carrier
- B 2 rear wheels
- C 1 front wheel

NOTICE

Store your carrier and its components in a safe dry place so that when they are needed, they are in the best possible condition.



3.2 UNFOLDING THE CARRIER



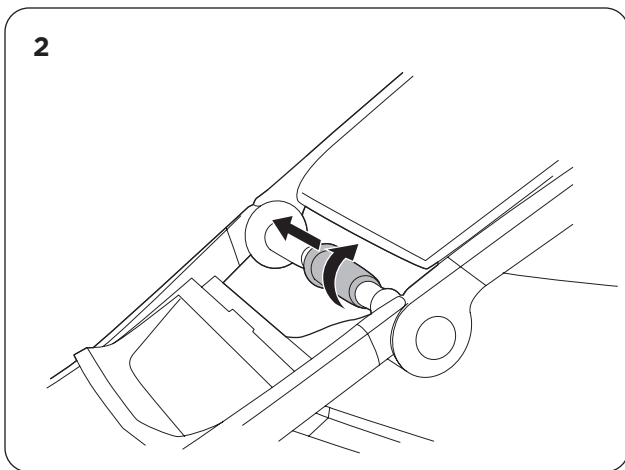
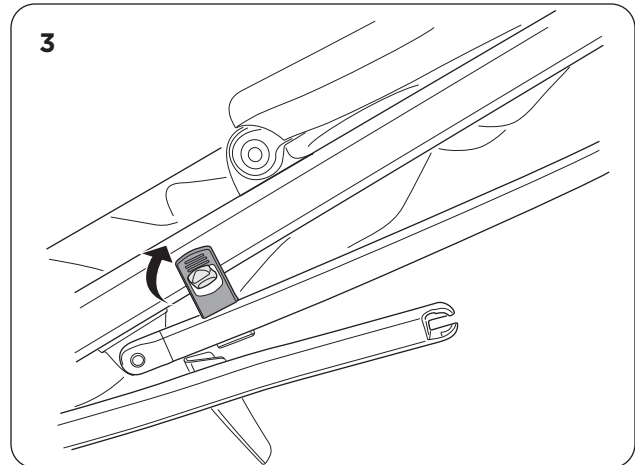
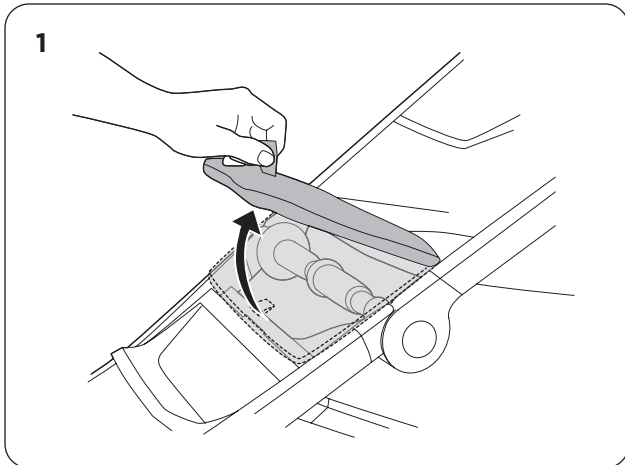
- A. Undo the fold locking strap. (See image 1)
- B. Pull the up the upper frame of the carrier. (See image 2)
- C. Push the front frame of the carrier upwards until it clicks in place. (See image 3)



WARNING

Ensure that all the locking devices are engaged before use.

3.3 FOLDING THE CARRIER



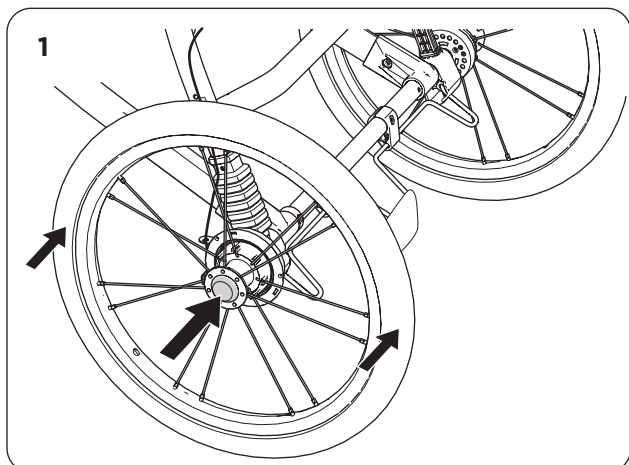
- A. Open the front cover. (See image 1)
- B. Slide then rotate the folding handle until the frame collapses. (See image 2)
- C. If front wheel is removed, fold the fender, by sliding it to right side and pushing it down.
- D. Attach the locking strap. (See image 3)



WARNING

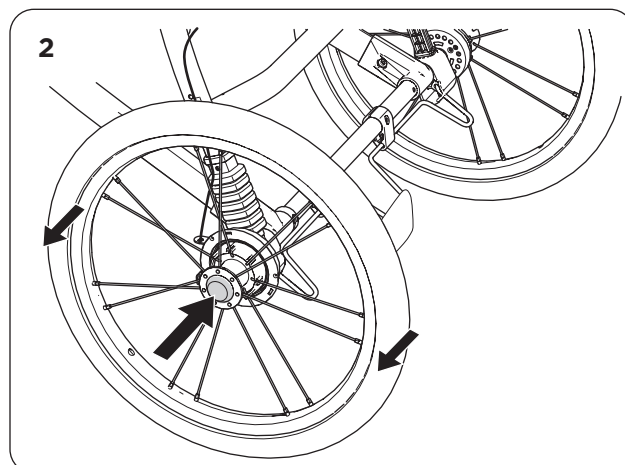
Care must be taken when folding and unfolding this child carrier to prevent finger entrapment. Ensure children are clear of any moving parts, otherwise they may be injured. To avoid injury ensure that your child is kept away when unfolding and folding this product.

3.4 INSTALLING THE WHEELS



- A. Press and hold the wheel release button on the wheel. (See image 1)
- B. Insert the wheel axle into the carrier axle.
- C. Release the wheel release button.
- D. Press the wheel fully into the carrier axle.
- E. Verify that the wheel is securely attached to the carrier by giving it a sharp pull.
- F. Repeat for the other wheel.
- G. Using a tire pressure gauge check the air pressure in each tire. The minimum recommended tire pressure is 20 psi (1.4 bar) and the maximum is 25 psi (1.7 bar). If air pressure is too low in either one of the tires fill them up using a bicycle tire pump.

3.5 REMOVING THE WHEELS



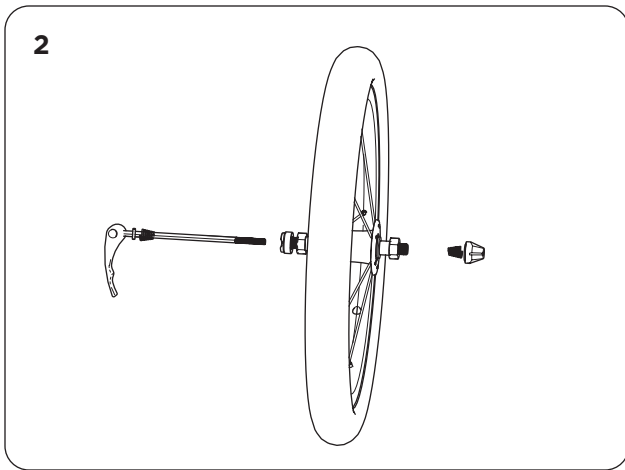
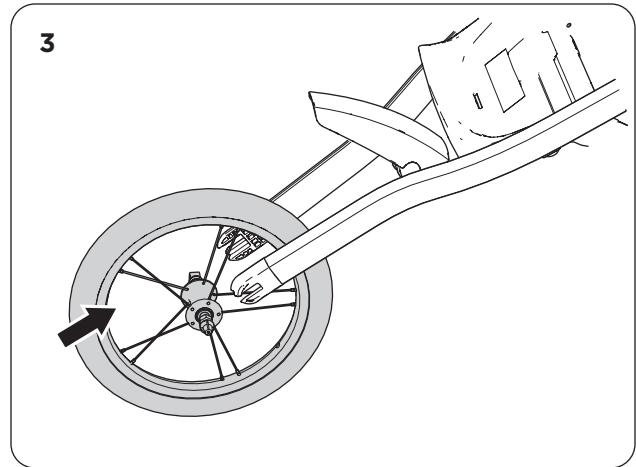
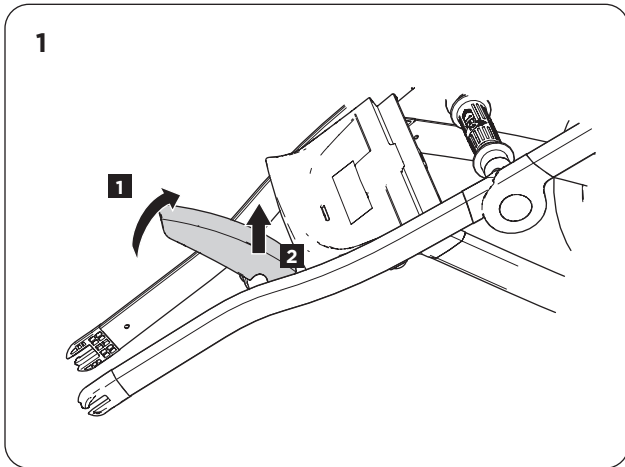
- A. Press and hold the wheel release button on a wheel. (See image 2)
- B. Pull the wheel out of the carrier axle.
- C. Repeat for the other wheel.



WARNING

Before each journey make sure that both of the wheels are securely locked in the carrier axle.

3.6 INSTALLING THE FRONT WHEEL



- A. Unfold the fender, by lifting it up and sliding it to the side until it snaps in place. (See image 1)
- B. Install quick-release skewer into the front wheel:
(See image 2)
 - i. Unscrew and remove the quick-release knob.
 - ii. Remove one of the springs .
 - iii. Insert the quick-release skewer through the jogging wheel.
 - iv. Replace the spring back onto the quick-release skewer, narrow end pointing inward, toward the front wheel.
 - v. Replace and tighten the quick-release knob.
- C. Install the front wheel into the wheel dropouts.
(See image 3)
 - i. Tighten the quick-release knob until finger tight.

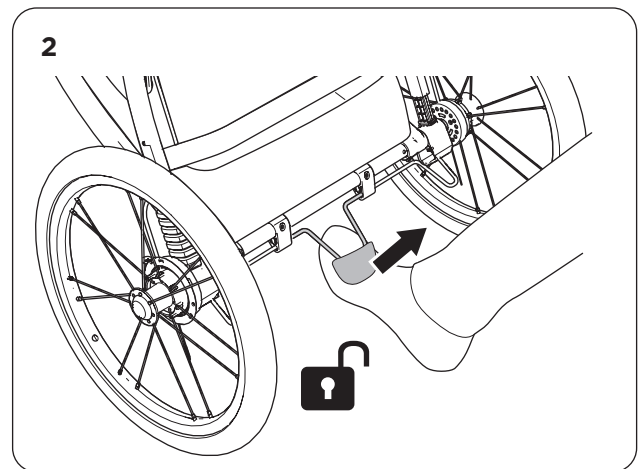
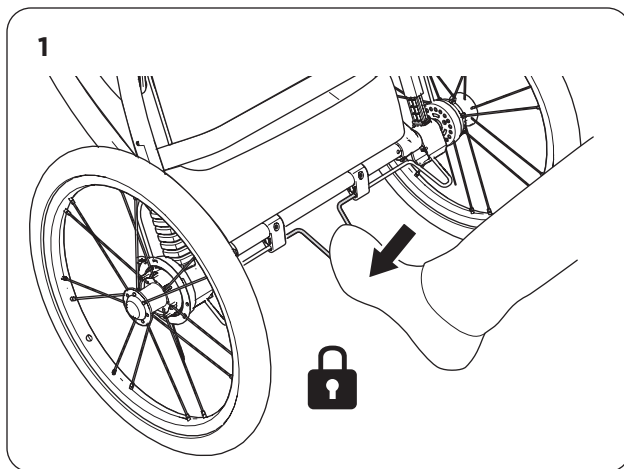


WARNING

Always make sure that the skewer is correctly installed. An incorrectly tensioned quick-release skewer may lead to loss of the front wheel.

4 USE & FEATURES

4.1 SETTING THE PARKING BRAKE



- A. Push down on the red foot pedal to engage the parking brake. (See image 1)
- B. After engaging the brake always verify that the parking brake is working - the carrier should not roll forwards or backwards.
- C. Pull up on the red foot pedal to release the parking brake. (See image 2)



WARNING

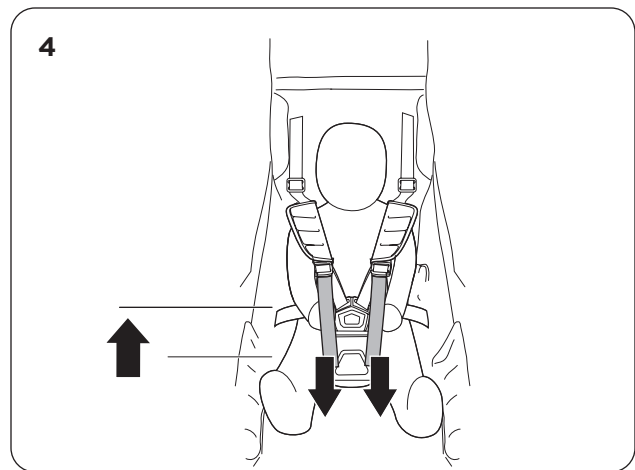
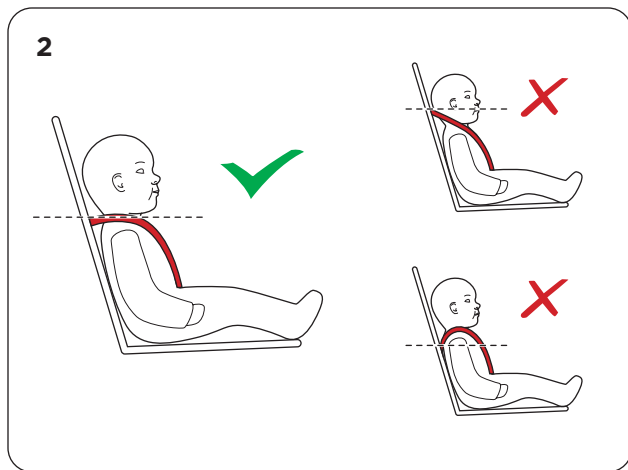
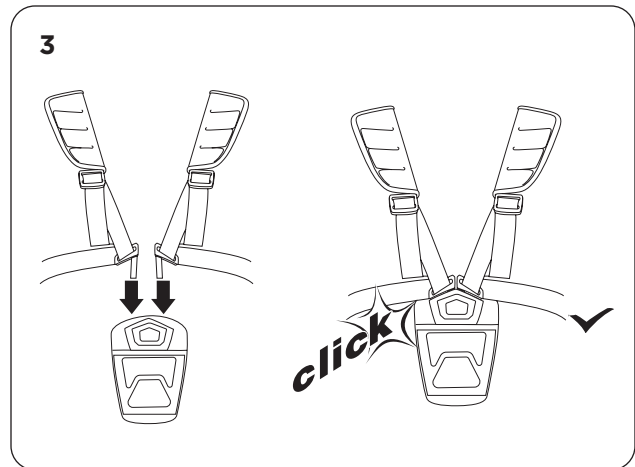
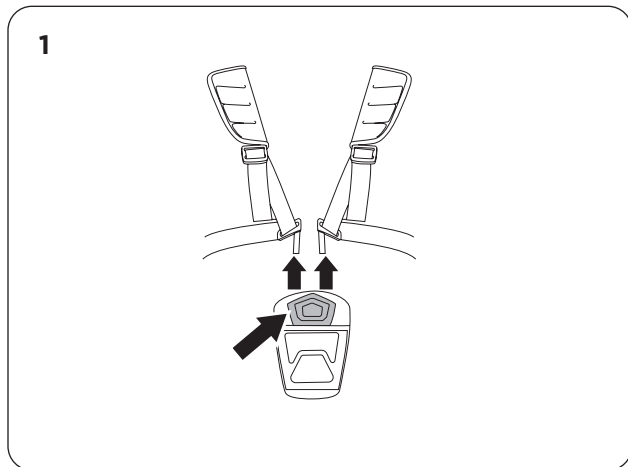
Never leave your child unattended in this Thule child carrier.

The parking brake should always be engaged during the loading and unloading of children.

NOTICE

No adjustments of the parking brake are required.

4.2 CHILD PLACEMENT AND SEATBELT



- A. Engage the parking brake.
- B. Loosen all of the belt adjustments.
- C. Undo the crotch strap buckle on the shoulder harness by pressing the red release buttons and squeezing the sides of the buckle. (See image 1)
- D. Seat your child(ren).
- E. Slide the shoulder belt height adjustment located on the vertical web straps, in the seat back, to the same height as your child(ren)'s shoulders. (See image 2)
- F. Lift up the crotch strap and insert the two shoulder strap buckles into the crotch buckle.
- G. Snugly tighten the two shoulder straps by pulling downward on the shoulder strap loose ends. Ensure that there is no looseness in the harness system at the child's waist and shoulders. Ensure the shoulder pads are positioned on top of the child's shoulders and next to their neck. (See image 4)



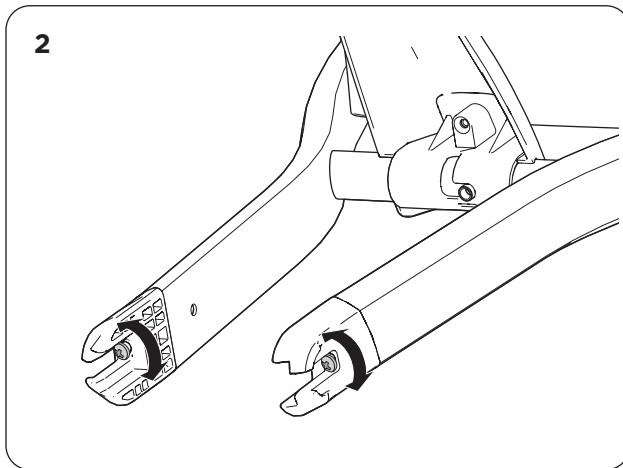
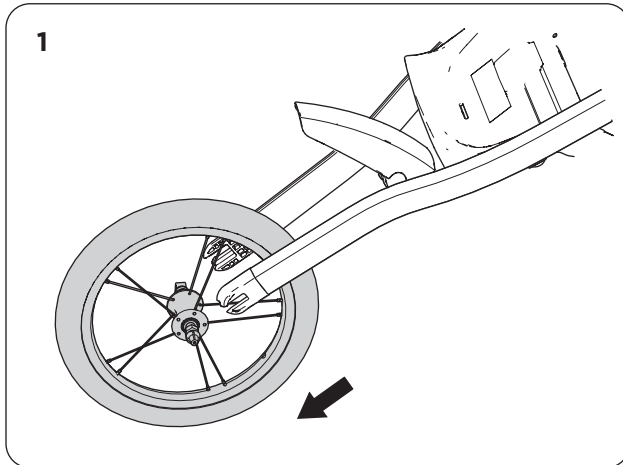
WARNING

This seat unit is not suitable for children under 6 months. For younger children a Thule infant accessory must be used.

Always use the restraint system.

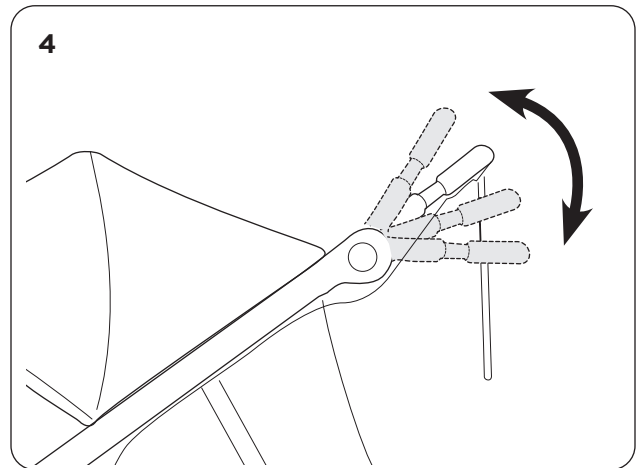
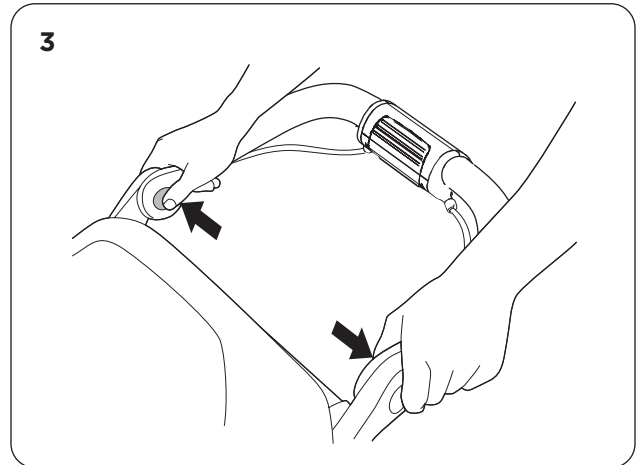
Check that the pram body or seat unit or car seat attachment devices are correctly engaged before use.

4.3 ALIGNING THE FRONT WHEEL



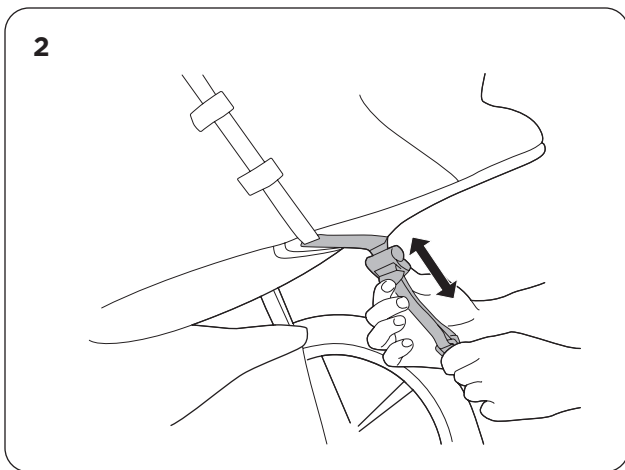
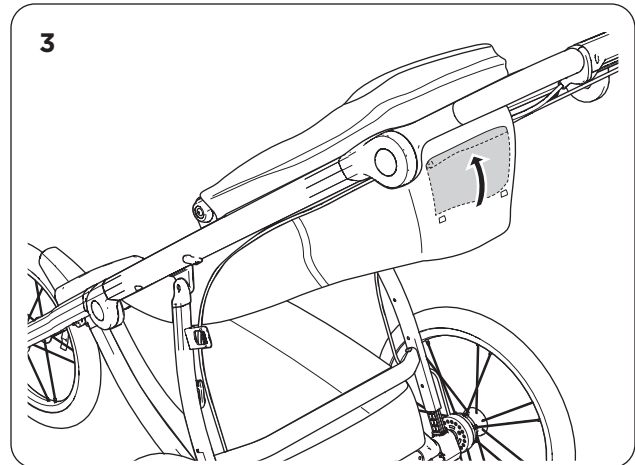
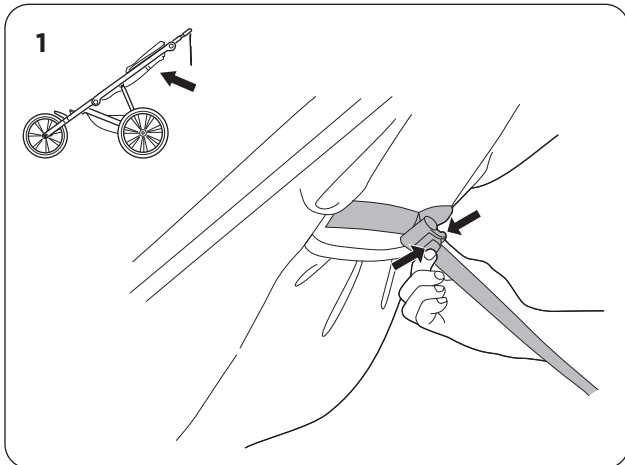
- A. Remove the front wheel from the wheel dropout. (See image 1)
- B. Loosen the adjustment screw to make wheel track to the side it is being adjusted. (See image 2)

4.4 ADJUSTING THE HANDLEBAR



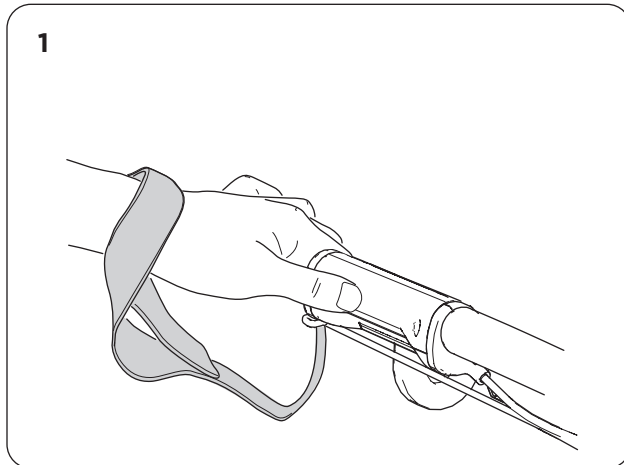
- A. Press the release buttons. (See image 3)
- B. Rotate the handlebar into a comfortable position. (See image 4)

4.5 ADJUSTING THE RECLINING SEAT



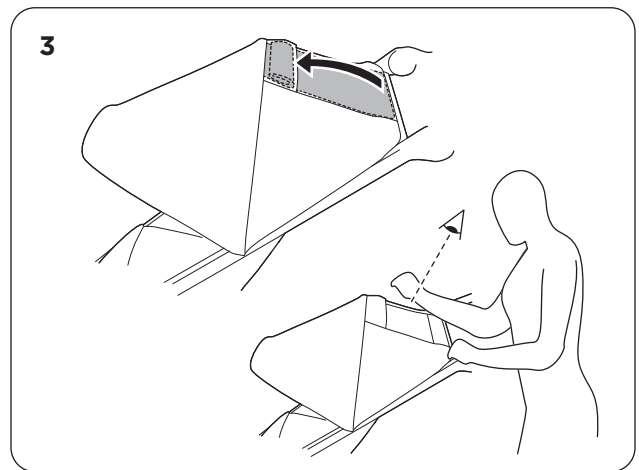
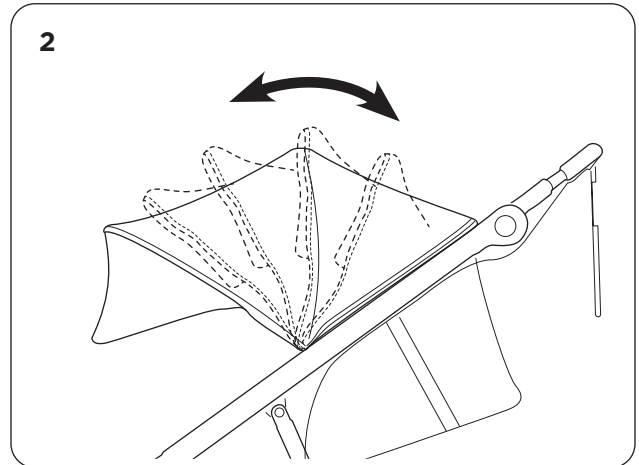
- A. Engage the parking brake.
- B. Squeeze the adjustment clamp. (See image 1)
- C. Move the adjustment clamp at the back of the seat either up or down along the strap to adjust how much the seat reclines. (See image 2)
- D. Opening the venting: With the seat reclined open the vent at the back and roll it into the pocket at the top. (See image 3)

4.6 USING THE SAFETY WRIST STRAP



- A. Loop the free end of the safety wrist strap around your wrist to prevent the child carrier from becoming separated from you. (See image 1)

4.7 USING THE CANOPY



- A. To shade inside the carrier; pull the canopy down. (See image 2)
- B. To open the top window; release the attachment and roll up the shade into the pocket at top. (See image 3)

5 ADDITIONAL INFORMATION

5.1 ACCESSORIES

There are numerous accessories that are compatible with your Thule child carrier.

- Thule Organizer Sport
- Thule Bottle Cage
- Thule Urban Glide Bumper Bar
- Thule Urban Glide Rain Cover
- Thule Urban Glide Mesh Cover
- Thule Footmuff Sport
- Thule Urban Glide Snack Tray

Contact your local dealer or visit our website: www.thule.com for more information.

5.2 SERVICE AND CARE

Regularly inspect your Thule child carrier and accessories for damage and signs of wear.

Metal Components

Check for any dents or cracks. Do not use the child carrier if any metal components are cracked or damaged.

Fasteners

Regularly examine the child carrier to see if any of the fasteners are bent, broken, missing or loose. Tighten any loose fasteners and replace any damaged or missing fasteners.

Fabric

Examine the fabric regularly for tears, worn spots or any other signs of damage.

Wheels

Clean the wheel axles and apply grease or oil to all exposed moving parts. Have the wheels inspected and serviced at least once a year. It is highly recommended that you take your child carrier into an authorized service provider once a year to keep it in the best possible condition. Regularly clean the child carrier with warm water and a mild soapy solution. Never use harsh cleansers or solvents.



WARNING

The proper service and care of this Thule child carrier affects the performance and safety of it.

5.3 STORAGE

Store your child carrier and accessories in a dry area out of direct sunlight. If possible, hang the child carrier up off of the ground. Before storing your child carrier, it should be dry to prevent the growth of mold or bacteria.

5.4 WEAR AND TEAR

This child carrier is very durable and allows you to transport your child(ren) for long periods of time. It is subject to wear and tear over time depending on several factors.

Use and Mileage

The more often this Thule child carrier is used and the farther it goes the more it will wear.

Service and Care

Keeping this Thule child carrier clean and well maintained is an important factor in keeping it in good condition.

Storage

Storing this Thule child carrier properly will reduce the amount of wear, especially to the fabric.

Type of Use

Hard cornering, fast acceleration and braking all contribute to premature wear of various components especially brakes and tires.

Weather

Various weather conditions affect individual components differently. Direct sunlight prematurely wears the fabric and rubber wheels. Salt in the air or on the road affects the wheel rims and fabric floor. Dirt and mud can get into moving parts and contribute to wear as well. Premature wear of a component is not necessarily signs of a defective product. The way this child carrier is used and cared for will greatly affect how quickly it wears.



Thule Sweden AB, Borggatan 5
335 73 Hillerstorp, SWEDEN

» PART OF THULE GROUP



info@thule.com

© Thule Group 2019. All rights reserved.



www.thule.com