

# Prestige Series

## *LCD Monitor*

---

Prestige PS341WU (3DA1)

# Contents

Copyright and Trademarks Notice .....	iii
Revision .....	iii
Technical Support .....	iii
Safety Instructions.....	iv
CE Conformity.....	vi
FCC-B Radio Frequency Interference Statement .....	vi
WEEE Statement .....	vii
Chemical Substances Information .....	vii
RoHS Statement .....	vii

## **Getting Started.....1-1**

Package Contents.....	1-2
Installing the Monitor Stand.....	1-3
Adjusting the Monitor .....	1-6
Monitor Overview .....	1-7
Connecting the Monitor to PC .....	1-10

## **OSD Setup.....2-1**

Navi Key.....	2-2
OSD Setup via Navi Key .....	2-5

## **Appendix .....A-1**

Specifications .....	A-2
Preset Display Modes .....	A-4
Troubleshooting .....	A-5

## Copyright and Trademarks Notice

Copyright © Micro-Star Int'l Co., Ltd. All rights reserved. The MSI logo used is a registered trademark of Micro-Star Int'l Co., Ltd. All other marks and names mentioned may be trademarks of their respective owners. No warranty as to accuracy or completeness is expressed or implied. MSI reserves the right to make changes to this document without prior notice.

## Revision

Revision	Date
V1.0	2019/08

## Technical Support

If a problem arises with your product and no solution can be obtained from the user's manual, please contact your place of purchase or local distributor. Alternatively, please visit <https://www.msi.com/support/> for further guidance.

# Safety Instructions

---



- ☑ Read the safety instructions carefully and thoroughly.
  - ☑ All cautions and warnings on the device or user's manual should be noted.
  - ☑ Refer servicing to qualified personnel only.
- 



Keep the User's Guide that comes with the package for future reference.

---



To prevent fire or shock hazard, keep this device away from humidity and high temperature.

---



Lay this device on a reliable flat surface before setting it up.

---



- ☑ Make sure that the power voltage is within its safety range and has been adjusted properly to the value of 100~240V before connecting the device to the power outlet. Do not disable the protective earth pin from the plug. The device must be connected to an earthed mains socket-outlet.
  - ☑ Always disconnect the power cord or switch the wall socket off if the device would be left unused for a certain time to achieve zero energy consumption.
- 



The ventilator on the device is used for air convection and to prevent the device from overheating. Do not cover the ventilator.

---



Do not leave the device in an unconditioned environment with a storage temperature above 60°C or below -20°C, which may damage the device.

**NOTE:** The maximum operating temperature is around 40°C.

---



When cleaning the device, be sure to remove the power plug. Use a piece of soft cloth rather than industrial chemical to clean the device. Never pour any liquid into the opening; that could damage the device or cause electric shock.

---



Place the power cord in a way that people are unlikely to step on it. Do not place anything on the power cord.



Always keep strong magnetic or electrical objects away from the device.



If any of the following situations arises, get the device checked by service personnel:

- ☑ The power cord or plug is damaged.
- ☑ Liquid has penetrated into the device.
- ☑ The device has been exposed to moisture.
- ☑ The device does not work well or you can not get it work according to user's manual.
- ☑ The device has dropped and damaged.
- ☑ The device has obvious sign of breakage.

#### Green Product Features

- ☑ Reduced energy consumption during use and stand-by
- ☑ Limited use of substances harmful to the environment and health
- ☑ Easily dismantled and recycled
- ☑ Reduced use of natural resources by encouraging recycling
- ☑ Extended product lifetime through easy upgrades
- ☑ Reduced solid waste production through take-back policy



#### Environmental Policy

- ☑ The product has been designed to enable proper reuse of parts and recycling and should not be thrown away at its end of life.
- ☑ Users should contact the local authorized point of collection for recycling and disposing of their end-of-life products.
- ☑ Visit the MSI website and locate a nearby distributor for further recycling information.
- ☑ Users may also reach us at [gpcontdev@msi.com](mailto:gpcontdev@msi.com) for information regarding proper disposal, take-back, recycling, and disassembly of MSI products.

★ Warning! Overuse of screens is likely to affect eyesight.

★ Recommendations:

1. Take a 10-minute break for every 30 minutes of screen time.
2. Children under 2 years of age should have no screen time. For children aged 2 years and over, screen time should be limited to less than one hour per day.

## CE Conformity

This device complies with the requirements set out in the Council Directive on the Approximation of the Laws of the Member States relating to Electromagnetic Compatibility (2014/30/EU), Low-voltage Directive (2014/35/EU), ErP Directive (2009/125/EC) and RoHS directive (2011/65/EU). This product has been tested and found to comply with the harmonized standards for Information Technology Equipment published under Directives of Official Journal of the European Union.



## FCC-B Radio Frequency Interference Statement



This equipment has been tested and found to comply with the limits for a Class B digital device, pursuant to Part 15 of the FCC Rules. These limits are designed to provide reasonable protection against harmful interference in a residential installation. This equipment generates, uses and can radiate radio frequency energy and, if not installed and used in accordance with the instruction manual, may cause harmful interference to radio communications. However, there is no guarantee that interference will not occur in a particular installation. If this equipment does cause harmful interference to radio or television reception, which can be determined by turning the equipment off and on, the user is encouraged to try to correct the interference by one or more of the measures listed below:

- Reorient or relocate the receiving antenna.
- Increase the separation between the equipment and receiver.
- Connect the equipment into an outlet on a circuit different from that to which the receiver is connected.
- Consult the dealer or an experienced radio/television technician for help.

### Notice 1

The changes or modifications not expressly approved by the party responsible for compliance could void the user's authority to operate the equipment.

### Notice 2

Shielded interface cables and AC power cord, if any, must be used in order to comply with the emission limits.

This device complies with Part 15 of the FCC Rules. Operation is subject to the following two conditions:

1. this device may not cause harmful interference, and
2. this device must accept any interference received, including interference that may cause undesired operation.

### MSI Computer Corp.

901 Canada Court, City of Industry, CA 91748, USA

(626)913-0828

[www.msi.com](http://www.msi.com)

## WEEE Statement

Under the European Union ("EU") Directive on Waste Electrical and Electronic Equipment, Directive 2012/19/EU, which takes effect on August 13, 2005, products of "electrical and electronic equipment" cannot be discarded as municipal waste anymore and manufacturers of covered electronic equipment will be obligated to take back such products at the end of their useful life.



## Chemical Substances Information

In compliance with chemical substances regulations, such as the EU REACH Regulation (Regulation EC No. 1907/2006 of the European Parliament and the Council), MSI provides the information of chemical substances in products at:

[https://www.msi.com/html/popup/csr/evmtprrt\\_pcm.html](https://www.msi.com/html/popup/csr/evmtprrt_pcm.html)

## RoHS Statement

### Japan JIS C 0950 Material Declaration

A Japanese regulatory requirement, defined by specification JIS C 0950, mandates that manufacturers provide material declarations for certain categories of electronic products offered for sale after July 1, 2006.

[https://www.msi.com/html/popup/csr/cemm\\_jp.html](https://www.msi.com/html/popup/csr/cemm_jp.html)

[https://tw.msi.com/html/popup/csr\\_tw/cemm\\_jp.html](https://tw.msi.com/html/popup/csr_tw/cemm_jp.html)

### India RoHS

This product complies with the "India E-waste (Management and Handling) Rule 2011" and prohibits use of lead, mercury, hexavalent chromium, polybrominated biphenyls or polybrominated diphenyl ethers in concentrations exceeding 0.1 weight % and 0.01 weight % for cadmium, except for the exemptions set in Schedule 2 of the Rule.

### Turkey EEE Regulation

Conforms to the EEE Regulations of the Republic Of Turkey

### Ukraine Restriction of Hazardous Substances

The equipment complies with requirements of the Technical Regulation, approved by the Resolution of Cabinet of Ministry of Ukraine as of December 3, 2008 № 1057, in terms of restrictions for the use of certain dangerous substances in electrical and electronic equipment.

### Vietnam RoHS

As from December 1, 2012, all products manufactured by MSI comply with Circular 30/2011/TT-BCT temporarily regulating the permitted limits for a number of hazardous substances in electronic and electric products.





# 1

## Getting Started

This chapter provides you with the information on hardware setup procedures. While connecting devices, be careful in holding the devices and use a grounded wrist strap to avoid static electricity.

### **IMPORTANT**

*The illustrations are for reference only. Your monitor may vary in appearance.*

# Package Contents

1. Monitor
2. Stand
3. Stand Base with Screw
4. Wall Mount Screws x4
5. Stand Screws x4
6. Power Cord
7. HDMI Cable
8. Type C Cable
9. DisplayPort Cable
10. Y-type Audio Cable
11. USB Upstream Cable (to enable the USB ports on the monitor)
12. Quick Start Guide
13. Warranty Card
14. Cord Sleeve
15. Paperweight
16. Color Calibration Factory Report

1-2

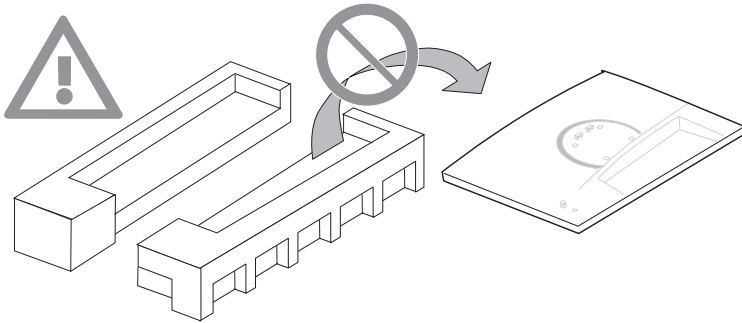
\* Contact your place of purchase or local distributor if any of the items is damaged or missing.

\* Package contents may vary by country.

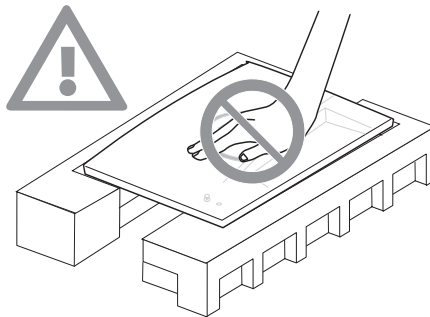
## Installing the Monitor Stand

### **IMPORTANT**

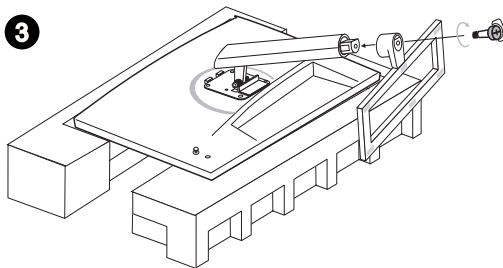
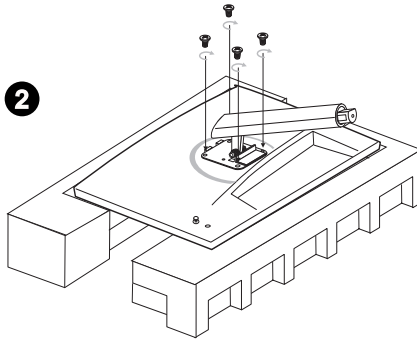
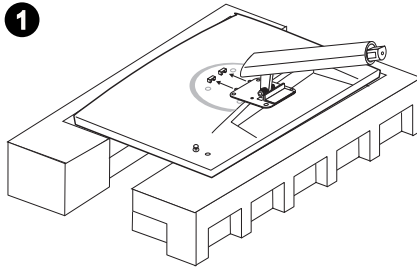
- Place the monitor on a soft, protected surface to avoid scratching the display panel.



- Avoid pressing the monitor when installing the monitor stand.



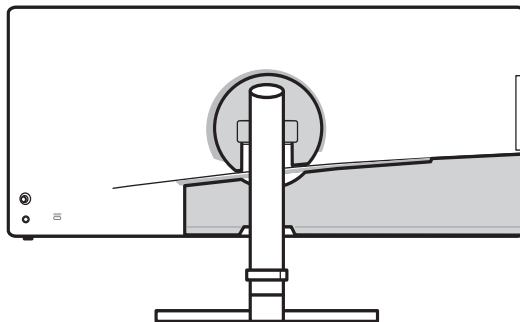
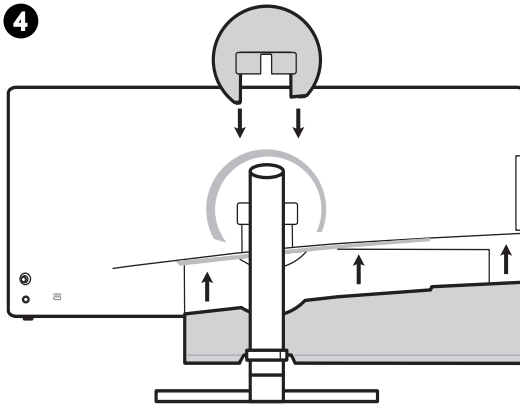
1. Align the latches of the stand to the monitor.
2. Tighten the stand with the stand screws.
3. Connect the base to the stand and tighten the base screw to secure the base.



**IMPORTANT**

*The holes for installing the stand can be also used for wall mount. Please contact your dealer for proper wall mount kit.*

- Adjust the angle of the stand. Align the latches to place the VESA cover and I/O cover.

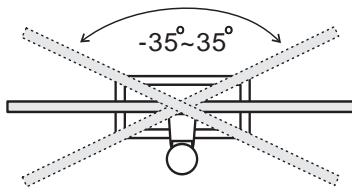
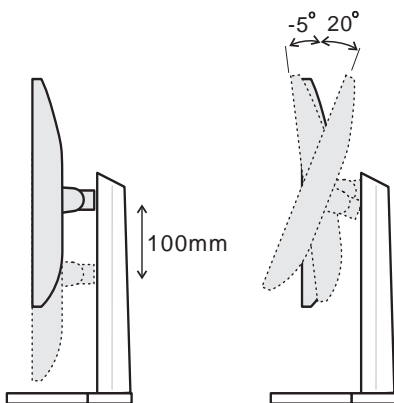


## Adjusting the Monitor

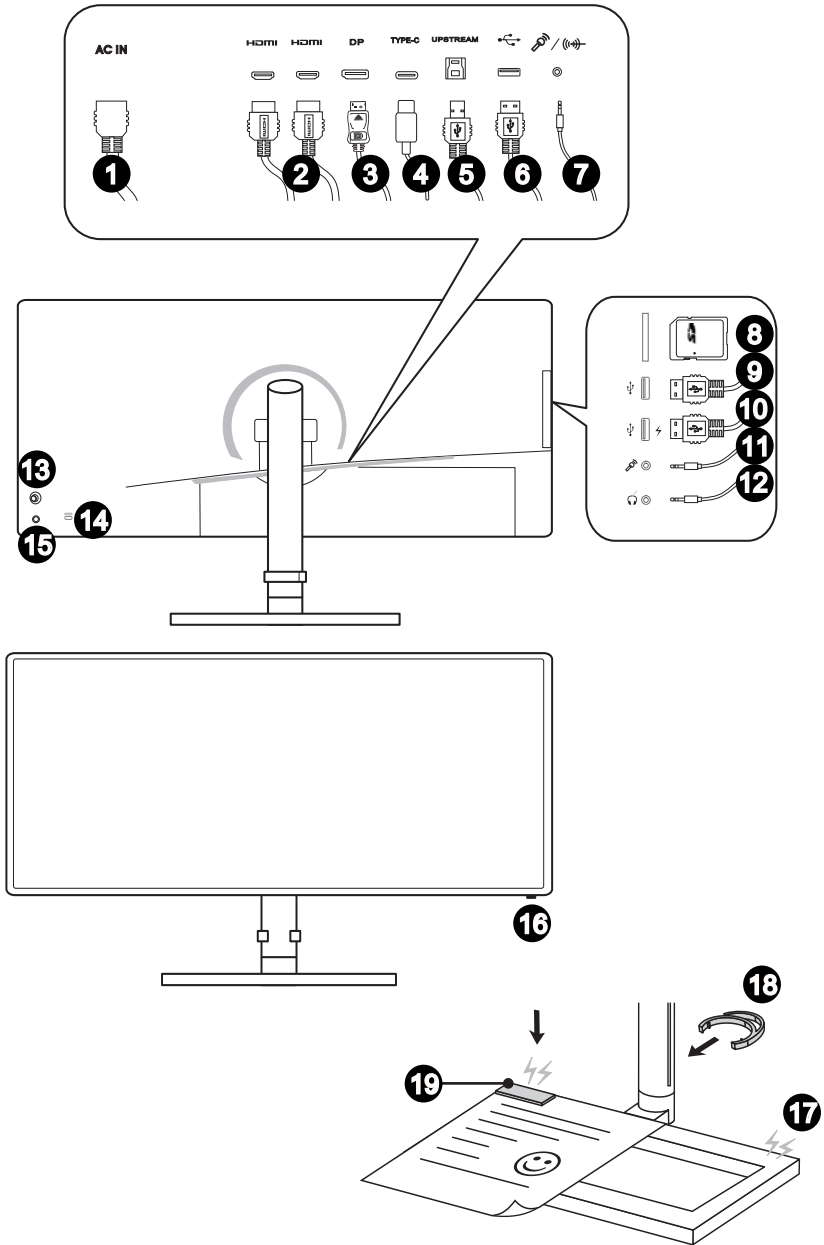
This monitor is designed to maximize your viewing comfort with its adjustment capabilities.

### **IMPORTANT**

- Do not use any sharp objects on the monitor.
- Avoid touching the display panel when adjusting the monitor.



# Monitor Overview



**1** Power Jack**2** HDMI 2.0 Port **HDMI™**  
HIGH-DEFINITION MULTIMEDIA INTERFACE**3** DisplayPort 1.4**4** USB-C Port

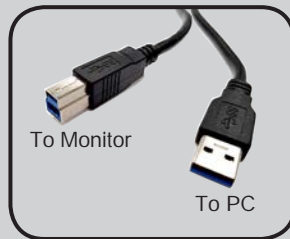
This port can send simultaneously video signal and power stream up to 5V/3A. It doesn't support data transmission function.

**5** USB3.1 Gen1 Type B Upstream Port

For USB Upstream Cable.

**IMPORTANT**

*Check the package for USB Upstream Cable and connect it to the PC and monitor. Once this cable is connected, the USB Type A Downstream Ports on the monitor will be ready for use.*

**6** USB3.1 Gen1 Type A Port**7** Y-type Audio Jack

For Y-type Audio Cable.

**IMPORTANT**

*Check the package for Y-type Audio Cable and connect it to the PC and monitor. Once this cable is connected, the audio jacks on the monitor will be ready for use.*

**8** Card Reader**9** USB3.1 Gen1 Type A Port**10** USB3.1 Gen1 Type A Port (QC 3.0)

This port can send power stream up to 5V/3A.

**11** Microphone Jack



**12** Headphone Jack

**13** Navi Key

**14** Kensington Lock

**15** Macro Key  
To activate Creator OSD.

**16** Power Button

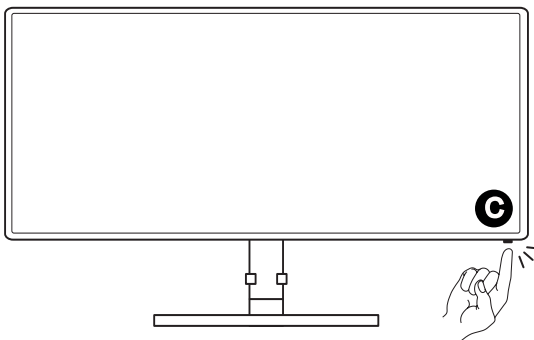
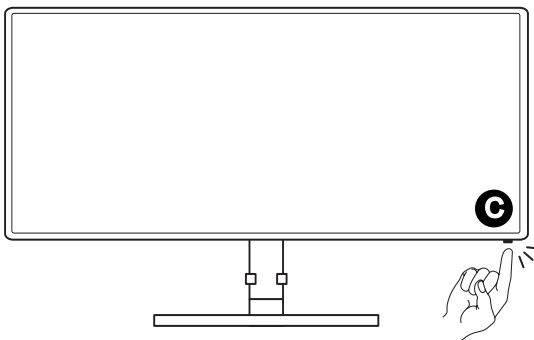
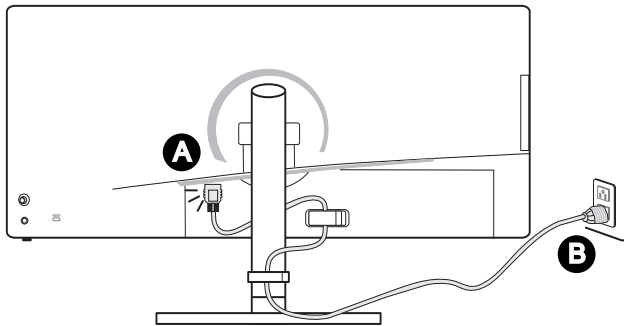
**17** Magnetic Area

**18** Cord Sleeve

**19** Paperweight

## Connecting the Monitor to PC

1. Turn off your computer.
2. Connect the HDMI/DisplayPort cable from the monitor to your computer.
3. Connect the power cord to the monitor power jack. (Figure A)
4. Plug the power cord into the electrical outlet. (Figure B)
5. Turn on the monitor. (Figure C)
6. Power on the computer and select your input source in OSD menu.



# 2

## OSD Setup

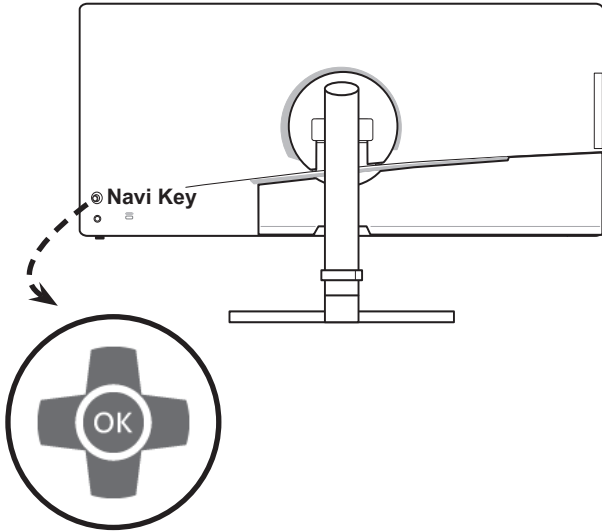
This chapter provides you with essential information on OSD Setup.

### **IMPORTANT**

*All information is subject to change without prior notice.*



# Navi Key









The monitor comes with a Navi Key, a multi-directional control that helps navigate the On-Screen Display (OSD) menu.





2-2

The Navi Key default settings are as follows.

Navi Key	Hot Key (When OSD menu is OFF)	Basic Operations (When OSD menu is ON)
 Middle Button	OSD Main Menu 	<ul style="list-style-type: none"> <li>■ Entering submenus</li> <li>■ Confirming a selection or setting</li> </ul>

Navi Key	Hot Key (When OSD menu is OFF)		Basic Operations (When OSD menu is ON)
 <p>Up</p>	<p>Pro Mode</p> 	<ul style="list-style-type: none"> <li>■ Press Middle Button to confirm selection and exit.</li> <li>■ Press Up and Down Buttons to adjust.</li> <li>■ Press Left Button to cancel preview and exit without applying mode effect.</li> </ul>	<ul style="list-style-type: none"> <li>■ Selecting function menus and items</li> <li>■ Allowing upward adjustment in function values</li> </ul>
 <p>Down</p>	<p>Screen Assistance</p> 	<ul style="list-style-type: none"> <li>■ Press Middle Button to confirm selection and exit.</li> <li>■ Press Up and Down Buttons to adjust.</li> <li>■ Press Left Button to cancel preview and exit.</li> </ul>	<ul style="list-style-type: none"> <li>■ Selecting function menus and items</li> <li>■ Allowing downward adjustment in function values</li> </ul>
 <p>Left</p>	<p>Alarm Clock</p> 	<ul style="list-style-type: none"> <li>■ Press Middle Button to confirm selection and exit.</li> <li>■ Press Up and Down Buttons to select.</li> <li>■ Press Left Button to cancel preview and exit.</li> </ul>	<ul style="list-style-type: none"> <li>■ Selecting function menus and items</li> <li>■ Exiting the current menu</li> </ul>
 <p>Right</p>	<p>Input Source</p> 	<ul style="list-style-type: none"> <li>■ Press Middle Button to confirm selection and exit.</li> <li>■ Press Up and Down Buttons to select.</li> <li>■ Press Left Button to exit.</li> </ul>	<ul style="list-style-type: none"> <li>■ Selecting function menus and items</li> <li>■ Entering submenus</li> </ul>

Users may enter the OSD Menu to customize their own Navi Key Hot Keys. More Hot Key options are as below.

Navi Key Hot Key Options	Operations
<p>Brightness</p> 	<ul style="list-style-type: none"><li>■ Press Middle Button to save value and exit.</li><li>■ Press Up and Down Buttons to adjust.</li><li>■ Press Left Button to cancel preview and exit.</li></ul>
<p>PIP/PBP</p> 	<ul style="list-style-type: none"><li>■ Press Middle Button to confirm selection and exit.</li><li>■ Press Up and Down Buttons to adjust.</li><li>■ Press Left Button to cancel preview and exit.</li></ul>

## OSD Setup via Navi Key

Press the Middle button of Navi Key to launch the On-Screen Display (OSD) main menu. Use the Up, Down, Left, Right buttons to tune the desired function menus to suit your personal preferences.



### ► Professional

1st Level Menu	2nd/ 3rd Level Menu	Description
Mode	User	<ul style="list-style-type: none"> <li>■ User Mode is default mode for Product shipment and all items can adjust it flexibility in this mode.</li> <li>■ Adobe RGB, sRGB, Display P3 and DICOM Modes are regular color modes that below items have to gray out while mode selected: Contrast/ Gray Level/ Low Blue Light/ Color Temperature/ Gamma/Saturation/ Hue).</li> <li>■ Color Temperature will be gray out within below modes: Adobe RGB, sRGB, Display P3, DICOM, HDR, Cinema, Reader and Black-White.</li> </ul>
	Adobe RGB	
	Display P3	
	sRGB	
	HDR	
	Cinema	
	Reader	
	Black-White	
	DICOM	
	EyeCare	
	Calibration 1	
	Calibration 2	
	Calibraiton 3	

1st Level Menu	2nd/ 3rd Level Menu		Description
Alarm Clock	Location	Left Top	<ul style="list-style-type: none"> <li>Users can adjust Alarm Clock in any Mode.</li> <li>After setting the time, press the Middle Button to activate the timer.</li> <li>Default Alarm Clock Location is Left Top. Users can select their own location.</li> </ul>
		Right Top	
		Left Bottom	
		Right Bottom	
		Customize	
	OFF		
	15:00		
	30:00		
	45:00		
	60:00		
Screen Assistance	OFF		<ul style="list-style-type: none"> <li>Users can adjust Screen Assistance in any Mode.</li> <li>Default Screen Assistance is OFF.</li> </ul>
	Ruler: Center		
	Ruler: Edge		
	Scale		
	Reference Line		
	Grid		
	Rule of Thirds		
	3D Motion Sickness Assistance		
	Assistance Color		

## ➤ Image

1st Level Menu	2nd/ 3rd Level Menu	Description
Brightness	0-100	<ul style="list-style-type: none"> <li>Default is 75 for shipment setting.</li> <li>Brightness will be gray out while below items implement:               <ol style="list-style-type: none"> <li>Local Dimming was On.</li> <li>HDR content received.</li> </ol> </li> </ul>
Contrast	0-100	<ul style="list-style-type: none"> <li>Default is 50 for shipment setting.</li> <li>Brightness will be gray out while below items implement:               <ol style="list-style-type: none"> <li>In the regular Color mode (Adobe RGB, sRGB, Display P3 and DICOM) that contrast was gray out.</li> <li>HDR content received.</li> </ol> </li> </ul>
Sharpness	0-5	<ul style="list-style-type: none"> <li>Users can adjust Sharpness in any Mode.</li> <li>Sharpness improves clarity and details of images.</li> </ul>
Gray Level	0-20	<ul style="list-style-type: none"> <li>Default is 10 for shipment setting that can adjust manually by end user, unless otherwise specified.</li> <li>In the regular Color mode: Adobe RGB, sRGB, Display P3 and DICOM that Gray Level was gray out.</li> </ul>



1st Level Menu	2nd/ 3rd Level Menu		Description
Image Enhancement	OFF		<ul style="list-style-type: none"> <li>Image Enhancement enhances image edges to improve their acutance.</li> <li>Users can adjust Image Enhancement in any Mode.</li> </ul>
	Weak		
	Medium		
	Strong		
	Strongest		
Response Time	Normal		<ul style="list-style-type: none"> <li>Users can adjust Response Time in any Mode.</li> <li>Default Response Time is Fast.</li> </ul>
	Fast		
	Fastest		
Low Blue Light	<input type="checkbox"/> OFF		<ul style="list-style-type: none"> <li>Low Blue Light protects your eyes against blue light. When enabled, Low Blue Light adjusts the screen color temperature to a more yellow glow.</li> <li>Users can adjust Low Blue Light in any Mode.</li> <li>When Pro Mode is set to Reader, it is mandatory to enable Low Blue Light.</li> </ul>
	<input type="checkbox"/> ON		
Local Dimming	<input type="checkbox"/> OFF		<ul style="list-style-type: none"> <li>Default is OFF for shipment setting, end user can adjust it flexibility in any mode.</li> <li>While this function was set to ON that Brightness will be gray out.</li> </ul>
	<input type="checkbox"/> ON		
Color Temperature	Standard	5000K	<ul style="list-style-type: none"> <li>Color Temperature default is Normal.</li> <li>Use Up or Down Button to select and preview mode effects.</li> <li>Press the Middle Button to confirm and apply your mode type.</li> <li>Users can adjust Color Temperature in Customization mode.</li> </ul>
		5500K	
		6500K	
		7500K	
		9300K	
		10000K	
	Customization	R (0-100)	
		G (0-100)	
		B (0-100)	
		C (0-100)	
		M (0-100)	
Y (0-100)			
Gamma	1.8		<ul style="list-style-type: none"> <li>Default is 2.2 for shipment setting, end user can adjust it flexibility, unless otherwise specified.</li> <li>In the regular Color mode: Adobe RGB, sRGB, Display P3 and DICOM that Gamma was gray out.</li> </ul>
	2.0		
	2.2		
	2.4		
	2.6		

1st Level Menu	2nd/ 3rd Level Menu		Description	
Saturation	Red	0-100	<ul style="list-style-type: none"> <li>Default is 50 for all Saturation items shipment setting, end user can adjust these flexibility, unless otherwise specified.</li> <li>Default is 0 for the Black-White mode only.</li> <li>In the regular Color mode: Adobe RGB, sRGB, Display P3 and DICOM that Saturation was gray out.</li> </ul>	
	Green	0-100		
	Blue	0-100		
	Cyan	0-100		
	Magenta	0-100		
	Yellow	0-100		
Hue	Red	0-100	<ul style="list-style-type: none"> <li>Default is 50 for all Hue items shipment setting, end user can adjust these flexibility, unless otherwise specified.</li> <li>In the regular Color mode: Adobe RGB, sRGB, Display P3 and DICOM that Hue was gray out.</li> </ul>	
	Green	0-100		
	Blue	0-100		
	Cyan	0-100		
	Magenta	0-100		
	Yellow	0-100		
Zoom In	ON		<ul style="list-style-type: none"> <li>Default is OFF for shipment setting, end user can adjust Zoom In location flexibility.</li> </ul>	
	OFF			
	Location	Center		
		Up-Left		
		Up-Right		
		Down-Left		
	Down-Right			
Screen Size	Auto		<ul style="list-style-type: none"> <li>Users can adjust Screen Size in any mode, any resolution and any screen refresh rate.</li> <li>Default is Auto.</li> </ul>	
	4:3			
	16:9			
	21:9			
	1:1			

## ➤ Input Source

1st Level Menu	Description
HDMI1	<ul style="list-style-type: none"> <li>Users can adjust Input Source in any Mode.</li> </ul>
HDMI2	
DP	
Type C	

## ► PIP/PBP

1st Level Menu	2nd Level Menu	Description
OFF		<ul style="list-style-type: none"> <li>■ Default is OFF for shipment setting, end user can adjust it flexibility, unless otherwise specified.</li> <li>■ While Audio Switch function implement, the Audio Source will changed to Digital.</li> <li>■ This function will be gray out while HDR content received.</li> <li>■ Input Source auto detect function in Main source only.</li> </ul>
PIP	Source	
	PIP Size	
	Location	
	Display Switch	
	Audio Switch	
PBP (X2)	Source 1	
	Source 2	
	Display Switch	
	Audio Switch	
PBP (X3)	Source 1	
	Source 2	
	Source 3	
	Display Switch	
	Audio Switch	
PBP (X4)	Source 1	
	Source 2	
	Source 3	
	Source 4	
	Display Switch	
	Audio Switch	

## ► Navi Key

1st Level Menu	2nd Level Menu	Description
Up	OFF	<ul style="list-style-type: none"> <li>■ Up Button default is Pro Mode.</li> <li>■ Down Button default is Screen Assistance.</li> <li>■ Left Button default is Alarm Clock.</li> <li>■ Right Button default is Input Source.</li> <li>■ All Navi Key items can be adjusted via OSD Menu.</li> </ul>
Down	Brightness	
Left	Pro Mode	
Right	Screen Assistance	
	Alarm Clock	
	Input Source	
	PIP/PBP Mode	
	Zoom In	
	Information On Screen	

## ► Setting

1st Level Menu	2nd Level Menu	Description
Language	繁體中文	<ul style="list-style-type: none"> <li>■ Language factory default is English.</li> <li>■ Users have to press the Middle Button to confirm and apply the Language setting.</li> <li>■ Language is an independent setting. Users' own language setting will override the factory default. When users set Reset to Yes, Language will not be changed.</li> </ul>
	English	
	Français	
	Deutsch	
	Italiano	
	Español	
	한국어	
	日本語	
	Русский	
	Português	
	简体中文	
	ไทย	
	Bahasa Indonesia	
	हिन्दी	
	Türkçe	
	(More languages coming soon)	
Transparency	0-5	<ul style="list-style-type: none"> <li>■ Users can adjust Transparency in any Mode.</li> </ul>
OSD Time Out	5-30s	<ul style="list-style-type: none"> <li>■ Users can adjust OSD Time Out in any Mode.</li> </ul>
Audio Source	Analog	<ul style="list-style-type: none"> <li>■ Audio Source default is Digital. Users can adjust Audio Source in any Mode.</li> </ul>
	Digital	
Quick Charger	OFF	<ul style="list-style-type: none"> <li>■ Users can enable or disable the Quick Charger.</li> <li>■ Default is OFF.</li> </ul>
	ON	
Information On Screen	OFF	<ul style="list-style-type: none"> <li>■ Default is OFF for shipment setting.</li> <li>■ Show more monitor detail info on the right side while turn the item ON.</li> </ul>
	ON	
Reset	YES	<ul style="list-style-type: none"> <li>■ Users can Reset and restore settings to original OSD Default in any Mode.</li> </ul>
	NO	



# Appendix

## IMPORTANT

*All information is subject to change without prior notice.*

# Specifications

<b>Model</b>	<b>Prestige PS341WU (3DA1)</b>
<b>Size</b>	34 inch
<b>Panel Type</b>	IPS
<b>Resolution</b>	5120 x 2160 @60Hz
<b>Aspect Ratio</b>	21:9
<b>Brightness (nits)</b>	450 (VESA Certified DisplayHDR™ 600)
<b>Contrast Ratio</b>	1200:1
<b>Refresh Rate</b>	48~60Hz
<b>Response Time</b>	8ms
<b>Input Interface</b>	<ul style="list-style-type: none"> <li>■ HDMI Port 2.0 x2</li> <li>■ DisplayPort 1.4 x1</li> <li>■ USB-C x1</li> </ul>
<b>USB Port</b>	<ul style="list-style-type: none"> <li>■ USB3.1 Gen1 Type A Port x2</li> <li>■ USB3.1 Gen1 Type B Upstream Port x1</li> <li>■ USB3.1 Gen1 Type A Port x1</li> </ul>
<b>Audio Interface</b>	<ul style="list-style-type: none"> <li>■ Microphone Jack x1</li> <li>■ Headphone Jack x1</li> <li>■ Combo Audio Jack x1</li> </ul>
<b>Local Dimming</b>	<ul style="list-style-type: none"> <li>■ 12 Zone</li> </ul>
<b>View Angles</b>	178°(H) , 178°(V)
<b>sRGB / Display P3 *</b>	100% / 98%
<b>Surface Treatment</b>	Anti-glare
<b>Display Colors</b>	1.07Billion
<b>Power Type</b>	Internal Power
<b>Power Consumption (Typical)</b>	60W
<b>Input Rating</b>	AC 100-240, 50/60Hz, 1.4A
<b>Adjustment (Tilt)</b>	-5° ~ 20°
<b>Adjustment (Swival)</b>	-35° ~ 35°
<b>Adjustment (Height)</b>	0 ~ 100mm
<b>Kensington Lock</b>	Yes
<b>VESA Mounting</b>	<ul style="list-style-type: none"> <li>■ Plate Type: 100 x 100mm</li> <li>■ Screw Type: M4 x 10mm</li> <li>■ Thread Diameter: 4mm</li> <li>■ Thread Pitch: 0.7mm</li> <li>■ Thread Length: 10mm</li> </ul>
<b>Dimension (W x D x H)</b>	817.1 x 260.4 x 400.7mm
<b>Weight</b>	8.2kg (18.08lb)

Model		Prestige PS341WU (3DA1)
Environment	Operating	Temperature: 0°C to 40°C Humidity: 20% to 90%, non-condensing Altitude: 0 ~ 5000m
	Storage	Temperature: -20°C to 60°C Humidity: 10% to 90%, non-condensing

\* Based on CIE1976 test standards.

# Preset Display Modes

Resolution	Prestige PS341WU (3DA1)		
	HDMI 1/ 2	DP	Type C
640 x 480 @ 60Hz	V	V	V
800 x 600 @ 60Hz	V	V	V
1024 x 768 @ 60Hz	V	V	V
1152 x 864 @ 60 Hz	V	V	V
1280 x 720 @ 60 Hz	V	V	V
1280 x 800 @ 60 Hz	V	V	V
1280 x 960 @ 60 Hz	V	V	V
1280 x 1024 @ 60 Hz	V	V	V
1600 x 1000 @ 60 Hz	V	V	V
1680 x 1050 @ 60 Hz	V	V	V
1920 x 1080 @ 60 Hz	V	V	V
640 x 480p @ 60 Hz	V	V	V
720 x 480p @ 60 Hz	V	V	V
1280 x 720p @ 50 Hz	V	V	V
1280 x 720p @ 60 Hz	V	V	V
1920 x 1080i @ 50 Hz	V	V	V
1920 x 1080i @ 60 Hz	V	V	V
1920 x 1080p @ 24 Hz	V	V	V
1920 x 1080p @ 25 Hz	V	V	V
1920 x 1080p @ 30 Hz	V	V	V
1920 x 1080p @ 50 Hz	V	V	V
1920 x 1080p @ 60 Hz	V	V	V
3440 x 1440p @ 30 Hz	V	V	V
3440 x 1440p @ 50 Hz	V	V	V
3440 x 1440p @ 60 Hz	V	V	V
3840 x 2160p @ 24 Hz	V	V	V
3840 x 2160p @ 25 Hz	V	V	V
3840 x 2160p @ 30 Hz	V	V	V
3840 x 2160p @ 50 Hz	V	V	V
3840 x 2160p @ 60 Hz	V	V	V
5120 x 2160p @ 30 Hz		V	V
5120 x 2160p @ 50 Hz		V	V
5120 x 2160p @ 60 Hz		V	V

Video Timing Resolution	Prestige PS341WU (3DA1)	
	HDMI	DP
480p	V	V
576p	V	V
720p	V	V
1080p	V	V



# Troubleshooting

## The power LED is off.

- Press the monitor power button again.
- Check if the monitor power cable is properly connected.

## No image.

- Check if the computer graphics card is properly installed.
- Check if the computer and monitor are connected to electrical outlets and are turned on.
- Check if the monitor signal cable is properly connected.
- The computer may be in Standby mode. Press any key to activate the monitor.

## The screen image is not properly sized or centered.

Refer to Preset Display Modes to set the computer to a setting suitable for the monitor to display.

## No Plug & Play.

- Check if the monitor power cable is properly connected.
- Check if the monitor signal cable is properly connected.
- Check if the computer and graphics card are Plug & Play compatible.

## The icons, font or screen are fuzzy, blurry or have color problems.

- Avoid using any video extension cables.
- Adjust brightness and contrast.
- Adjust RGB color or tune color temperature.
- Check if the monitor signal cable is properly connected.
- Check for bent pins on the signal cable connector.

## The monitor starts flickering or shows waves.

- Change the refresh rate to match the capabilities of your monitor.
- Update your graphics card drivers.
- Keep the monitor away from electrical devices that may cause electromagnetic interference (EMI).