



Dear customer,

Thank you very much for choosing the Noctua NH-L9a-AM5.

This small cooler packs all essential technologies of our award-winning high-end models into a highly compact package in order to give you the best possible quiet cooling experience for HTPCs and small form factor builds. I'm confident that you will be able to sense some of the research, attention and care we've put into making this product.

Enjoy your NH-L9a-AM5!

Yours sincerely,



Roland Mossig, Noctua CEO

This manual will guide you through the installation process of the SecuFirm2™ mounting system step by step.

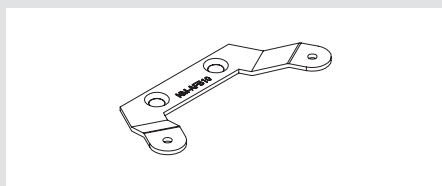
Prior to installing the cooler, please consult the compatibility centre on our website (ncc.noctua.at) and verify that the cooler is fully compatible with your motherboard and CPU. Please also make sure that your PC case offers sufficient clearance for the cooler and that there are no compatibility issues with any other components.

Noctua cannot be held responsible for any damage or losses caused by compatibility issues.

Should you encounter any difficulties, please check the FAQs on our website (www.noctua.at/faqs) and don't hesitate to contact our support team at support@noctua.at.

Multilingual versions of this manual are available on our website: www.noctua.at/manuals

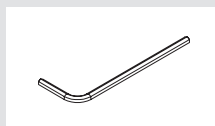
Required mounting parts:



2x NM-AFB10 fastening brackets
(pre-installed)



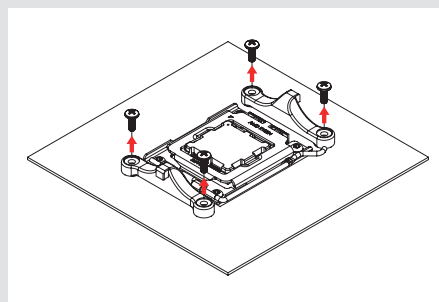
4x NM-ALS2 screws



NM-SMT6 mounting tool

1 Removing the stock retention module

If your motherboard comes with a pre-installed CPU cooler retention module, please first remove it by unscrewing it from the backplate.

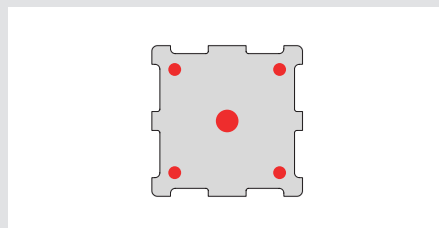


Do not unscrew the backplate from the socket; it must be kept in place.

2 Applying the thermal paste

If there are residual traces of thermal paste or thermal pads on your CPU, please clean them off first.

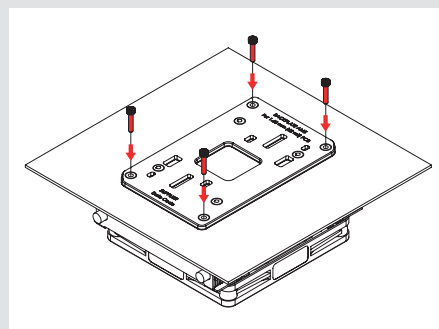
Apply 5 small dots; 4 small dots with ~2mm diameter near the corners plus 1 dot with 3-4mm diameter in the centre:



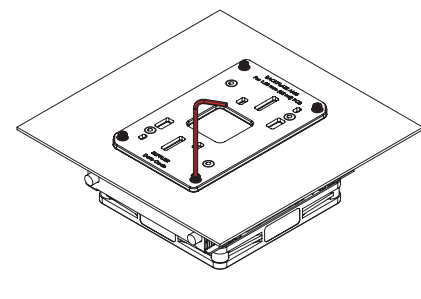
Caution: Applying too much thermal paste will lower heat conductivity and cooling performance!

3 Fastening the heatsink to the CPU

First, place the heatsink onto the CPU. Then, turn the motherboard upside down (holding the heatsink in place with your hand or putting it flat on a table) and, from the back side, stick the mounting screws through the threads of the backplate until they reach the threads of the heatsink's fastening brackets.



Begin fixing the screws by hand and then use the supplied mounting tool to tighten. Perform 3 turns on each screw, then repeat until all are fully tightened.



Caution: Gently tighten the screws until they stop, but don't use excessive force (max. torque 0.6 Nm).

4 Fan setup

Connect the fan to the motherboard.

Depending on your CPU and the temperature inside the case, you may interconnect the supplied NA-RC7 Low-Noise Adaptor (L.N.A.) in order to further reduce the fan's operating noise.

Caution: When using the L.N.A., check the temperature of your CPU using appropriate software (e.g. the respective applications of your motherboard manufacturer), in order to evade automatic throttling of the CPU due to the increased temperature. If the cooling performance is insufficient, please increase case ventilation or remove the L.N.A.

In case you would like to use a 92x25mm fan for further improved performance, please first unscrew the pre-installed NF-A9x14 fan and use the supplied longer screws to install the 92x25mm fan.

! Warranty, support and FAQs

Even with high-grade products and strict quality control, the possibility of defects cannot be eliminated entirely.

Therefore, we aim at providing the highest possible level of reliability and convenience by offering a warranty period of 6 years and direct, fast and straightforward RMA service.

Should you encounter any problems with your NH-L9a-AM5 please don't hesitate to contact our support team at support@noctua.at.

Please also consult the FAQ section on our website: www.noctua.at/faqs