

Universal centre plate
Art. No. : ..1701..

Operating instructions

1 Safety instructions



Electrical devices may only be mounted and connected by electrically skilled persons.

Serious injuries, fire or property damage possible. Please read and follow manual fully.

Danger of electric shock. Always disconnect before carrying out work on the device or load. In so doing, take all the circuit breakers into account, which support dangerous voltages to the device and or load.

These instructions are an integral part of the product, and must remain with the end customer.

2 Device components

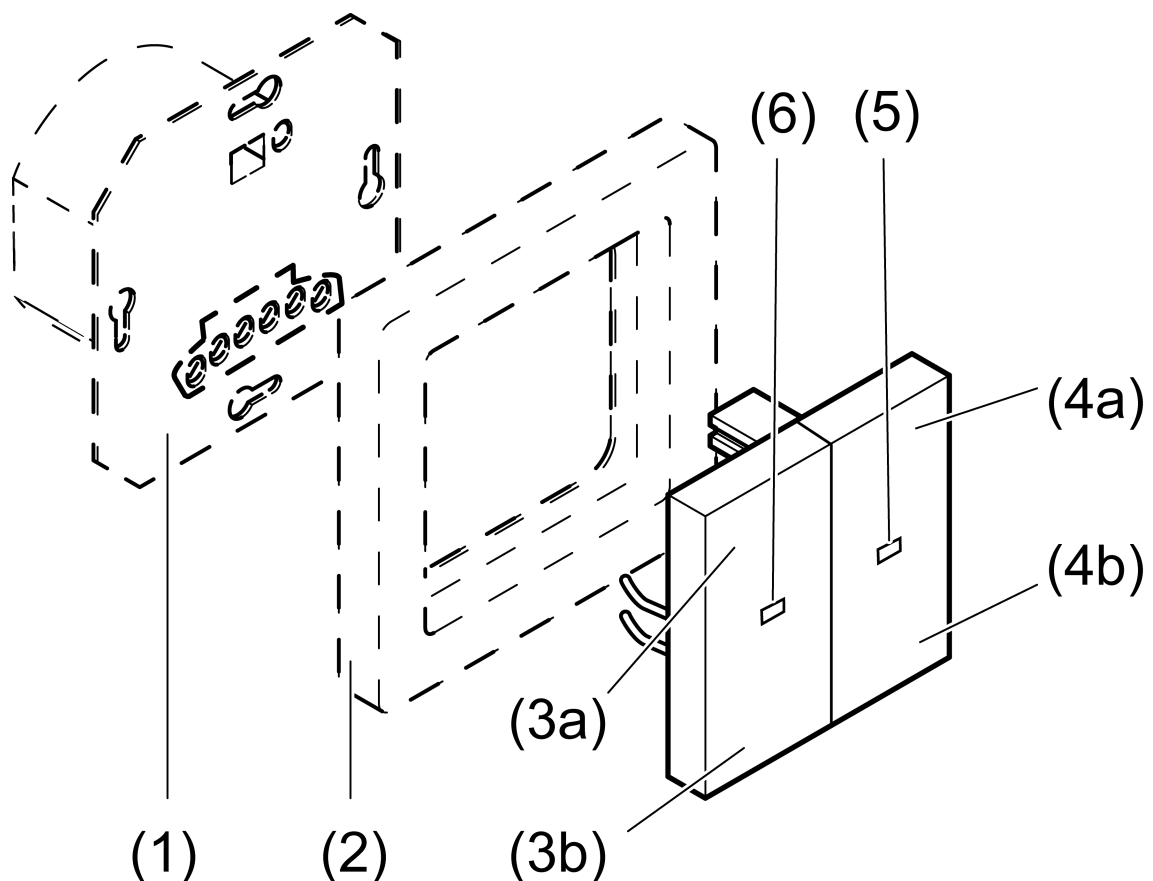


Figure 1: Device components

- (1) Insert
- (2) Frame
- (3a) Blind/shutter up / light on, brighter
- (3b) Blind/shutter down / light off, darker
- (4a) Disabling function
- (4b) Memory function

- (5) Function LED
 - Red = Disabling function active
 - Green = Memory function active
- (6) Status LED, green
 - On = Blind/shutter activated / light switched on

3 Function

Intended use

- Manual and time-controlled operation of Venetian blinds, shutters, awnings or lighting
- Operation of switching, dimming or Venetian blind insert or 3-wire extension from LB management

Product characteristics

- Activation of blind/shutters, with Venetian blind insert
- Switching and dimming of lighting, with switching or dimming insert
- Ventilation position of the blind/shutter can be saved, with Venetian blind insert
- Switch-on brightness of lighting can be saved, with dimming insert
- Disabling function
- 2 switching times can be saved, which are repeated in a 24-hour cycle

Behaviour after a mains voltage failure

- All saved switching times have been deleted.
- The load is switched off.
- Ventilation position and switch-on brightness remain intact.

4 Operation of Venetian blind and shutters

Moving the blind/shutter

- Press button (3a) or (3b) for longer than one second.
The blind/shutter moves in the desired direction to the end position or stops when the button is pressed again.
- i** If a ventilation position has been saved, the blind stops in the ventilation position when moving down from the top end position (see Saving the ventilation position).

Adjusting the slats

- Press the button (3a) or (3b) for less than one second.

Saving the ventilation position

To save and execute the ventilation position, the Venetian blind/shutter must be moved to the upper end position and the status LEDs (6) switch off automatically after 2 minutes.

- From the top end position, press the button (3b) for longer than second.
The blind/shutter moves in the lower end position direction.
- Press and hold down the button (3a) and (3b).
The blind/shutter remains stopped, but continues to move after 4 seconds.
- As soon as the desired ventilation position has been reached, release the buttons and press the button (3a) within the next 4 seconds.
The ventilation position is saved. The blind/shutter moves back to the upper end position.
- i** If the ventilation position is saved again, the old value is overwritten.

5 Operation of lighting

Switch light

- Press button (3a) or (3b) for less than 0.4 seconds.
- i** With a dimming insert, the light switches to the brightness that was last set or a saved brightness.

Switch light on with minimum brightness

- Long press on button (3b).

Adjust the brightness

- Long press on button (3a) or (3b).

Save switch-on brightness

- Adjust the brightness.
- Press buttons (3a) and (3b) for longer than 4 seconds.

Delete switch-on brightness

- Press button (3) briefly: Light switches on at the saved switch-on brightness.
- Press buttons (3a) and (3b) for longer than 4 seconds.
The switch-on brightness has been deleted.
Switching on takes place at the last brightness value set.

6 Activate functions

Saving switching times - Memory operation

- In addition to normal operation with the button (3a) or (3b), press the button (4b) for longer than one second.
The insert switches and the switching time is saved.
The device switches to memory operation. The function LED (5) turns continuously green.
Saved switching operations are repeated in a 24-hour cycle.
- i** An upward and downward movement time, or on and off time, can be saved. The old switching time will be replaced if a new one is saved.
- i** To delete all the times, press the button (4b) for longer than 20 seconds until the function LED (5) lights up for a second time.

Activating / deactivating memory operation

- Press the button (4b) for longer than 4 seconds.
In memory operation, the function LED (5) turns continuously green.
- i** It is only possible to switch to memory operation if at least one switching time has been saved.

Activating / deactivating the disabling function

The disabling function disables extension operation and deactivates memory operation. Manual operation using the buttons (3a) and (3b) continues to be possible.

- i** With Venetian blinds, extension operation in the "UP" direction (wind alarm) continues to be possible.
- Press the button (4a) for longer than 4 seconds.
The function LED (5) is red for as long as the disabling function is active.

Activating / deactivating night mode

In night mode, the status and function LEDs are not permanently lit, but only for 5 seconds after a button is pressed.

- Press the buttons (4a) and (4b) for longer than 4 seconds.
Night mode is activated: The function LED turns red for 3 seconds.
Night mode is deactivated: The function LED turns green for 3 seconds.

7 Information for electrically skilled persons

7.1 Fitting and electrical connection



DANGER!

Mortal danger of electric shock.

Disconnect the device. Cover up live parts.

Fitting the device

Switching, dimming or Venetian blind insert are mounted and connected properly (see instructions of the relevant inserts).

- Fit the frame and cover on the insert.
- Switch on mains voltage.

i If the status LED flashes three times at repeated intervals, the cover was previously connected to an insert of another unit.
To enable operation again, either place the cover onto the correct insert or press buttons (3a) and (3b) for longer than 4 seconds.

8 Appendix

8.1 Technical data

Ambient temperature	-5 ... +45 °C
Storage/transport temperature	-20 ... +70 °C
Data according to EN 60730-1	
Action	1.B.S.T
Degree of soiling	2
Meas. surge vol.	4000 V

8.2 Warranty

The warranty follows about the specialty store in between the legal framework as provided for by law.

ALBRECHT JUNG GMBH & CO. KG

Volmestraße 1
58579 Schalksmühle
GERMANY

Telefon: +49 2355 806-0
Telefax: +49 2355 806-204
kundencenter@jung.de
www.jung.de