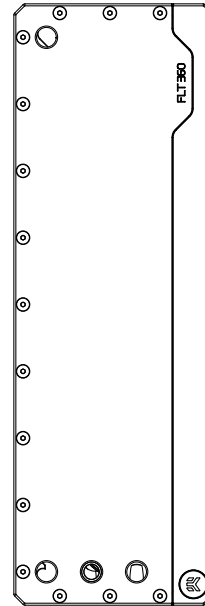
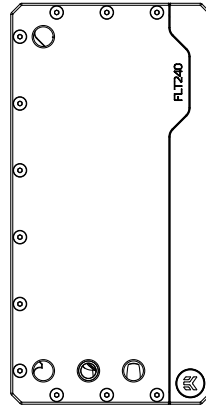
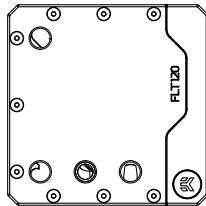


EK-Quantum Volume / Kinetic FLT



Before you start using this product please follow these basic guidelines:

Please carefully read the manual before beginning with the installation process!

The EK fittings require only a small amount of force to screw them firmly in place since the liquid seal is ensured by the rubber o-ring gaskets.

The use of corrosion inhibiting coolants is always recommended for any liquid cooling system. EKWB recommends any of the EK-Cryofuel for worry-free usage.

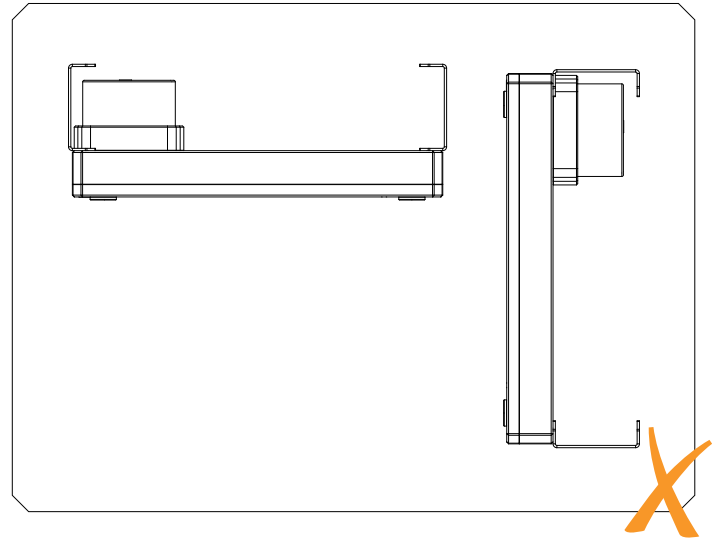
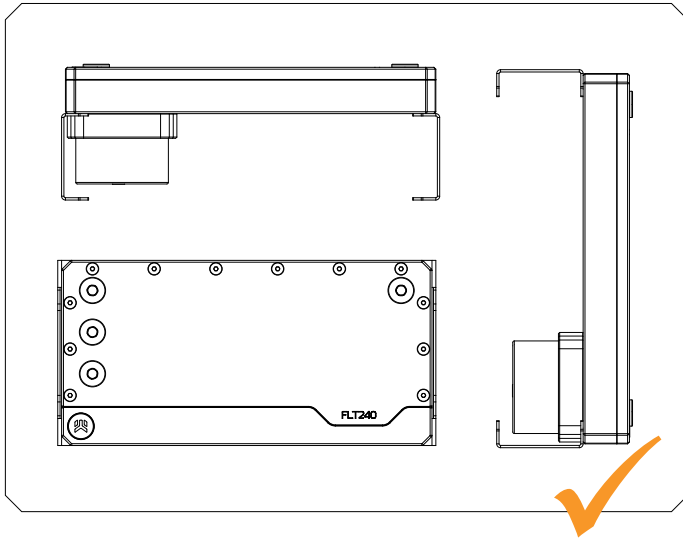
There are many ways to install your EK-Quantum Volume/Kinetic FLT as it utilizes a standard fan mounting hole pattern with 15mm spacing, the same as all EK radiators. The mounting holes have standard M4 threads with maximum engagement of 10mm. Use of longer screws or screws with incorrect threads such as those intended for fans or radiators may damage your product!

TABLE OF CONTENT

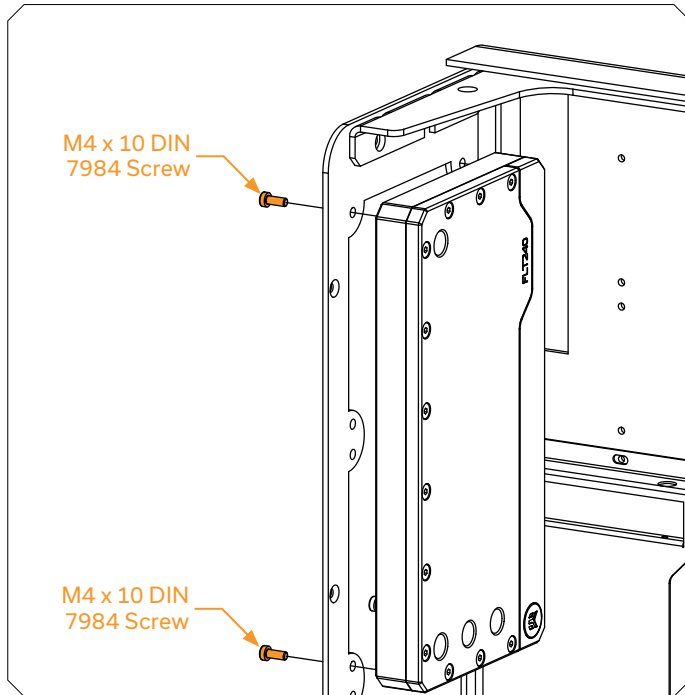
INSTALLING EK-QUANTUM VOLUME / KINETIC FLT DIRECTLY	5
INSTALLING EK-QUANTUM VOLUME / KINETIC FLT WITH SUPPLIED MOUNTS	6
INSTALLING EK-QUANTUM VOLUME / KINETICFLT RESERVOIR IN TO THE CASE	7
ATTACHING THE FITTINGS	9
CONNECTING THE D-RGB LED STRIP	10
TESTING THE LOOP	10
SUPPORT AND SERVICE	11
SOCIAL MEDIA	11

FLT Reservoir can be mount in multiple directions.
Vertically and horizontally position is optional.

Do not mount FLT Reservoir when the pump is in dead position.

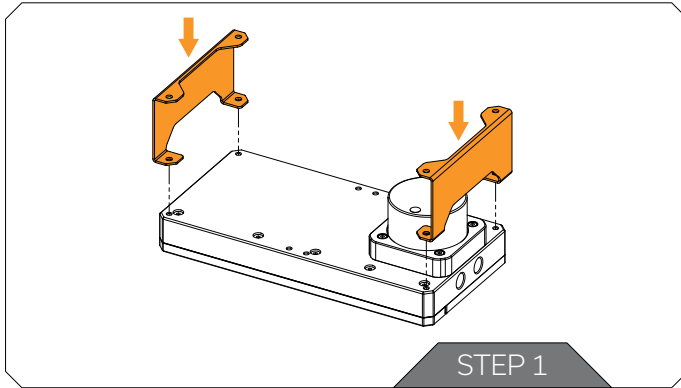


INSTALLING EK-QUANTUM VOLUME / KINETIC FLT DIRECTLY



Using the included M4 screws you can mount the reservoir directly to your chassis or any other standard fan mounting location.

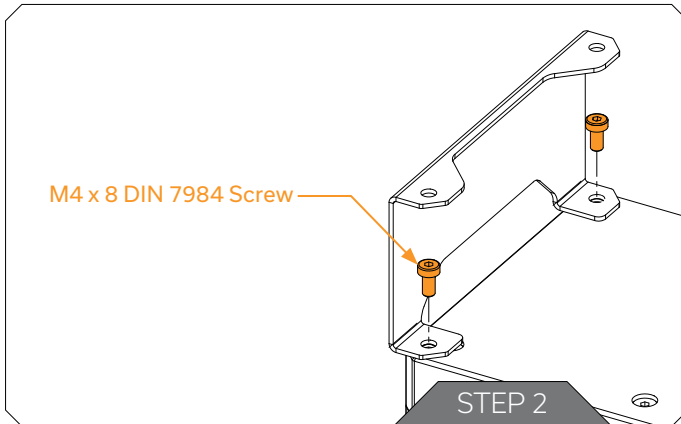
INSTALLING EK-QUANTUM VOLUME / KINETIC FLT WITH SUPPLIED MOUNTS



To enable installation of the reservoir onto fans, radiators or where clearance for the pump is required EK supplies a pair of FLT mounts along with M4 nuts, washers and additional screws. They can be positioned across any pair of mounting holes in several orientations.

STEP 1

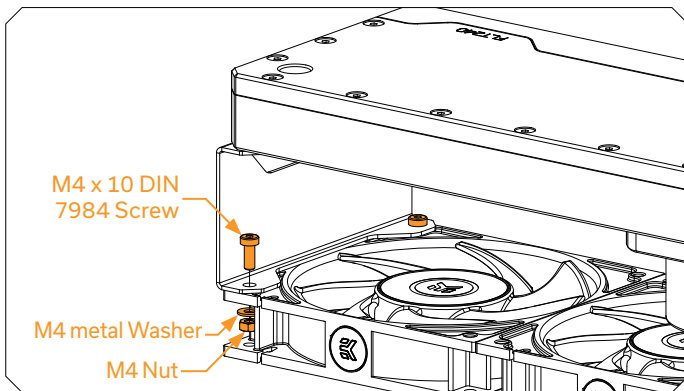
Position the mounts as desired on the reverse side of the reservoir.



STEP 2

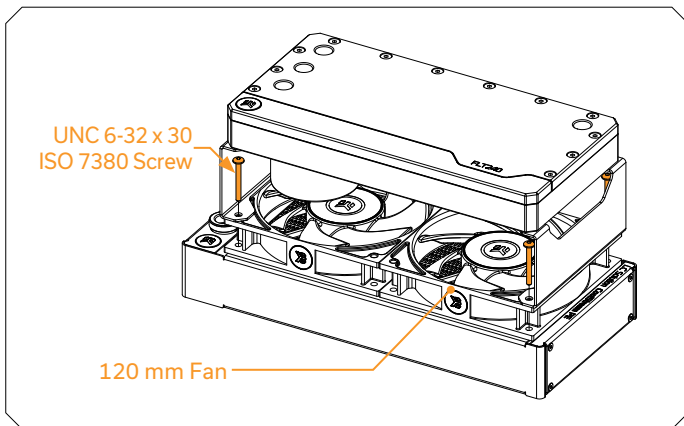
Screw the mounts in place using supplied M4x8 screws and 2.5mm allen key.

INSTALLING EK-QUANTUM VOLUME / KINETICFLT RESERVOIR IN TO THE CASE



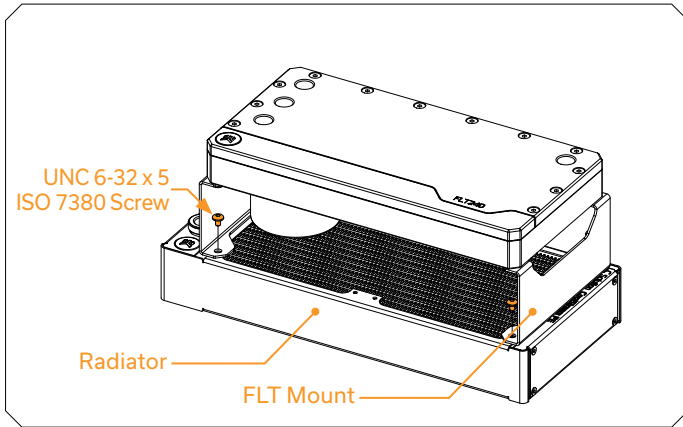
3a.

Included M4 nuts, washers and M4x10 screws can be used to mount the flat reservoir to a fan.



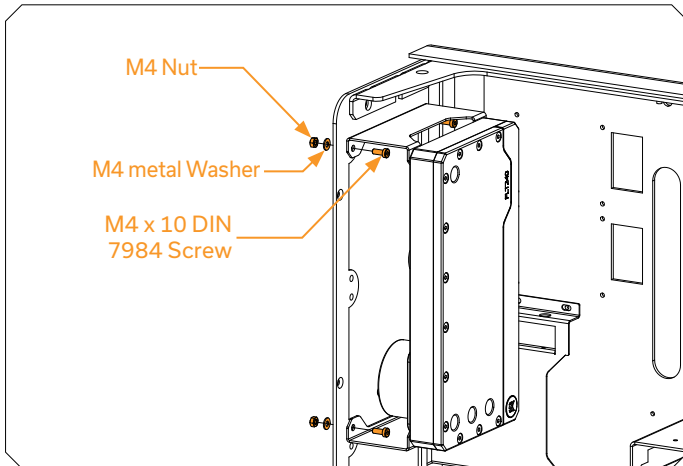
3b.

Using 30mm long screws supplied with your radiator the reservoir can be mounted onto the radiator and 25mm thick fans together.



3c.

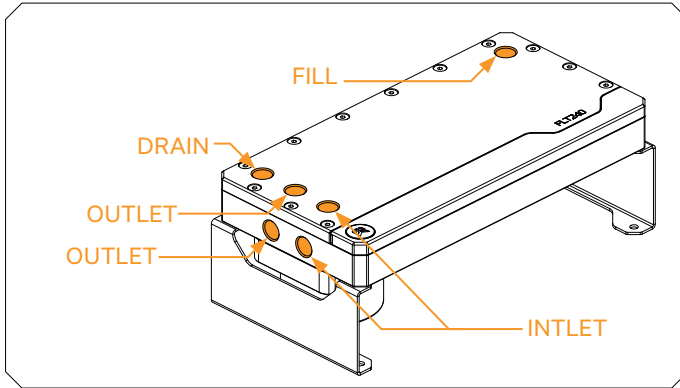
Alternatively the shorter 5mm long screws from the radiator may be used to mount only the reservoir.



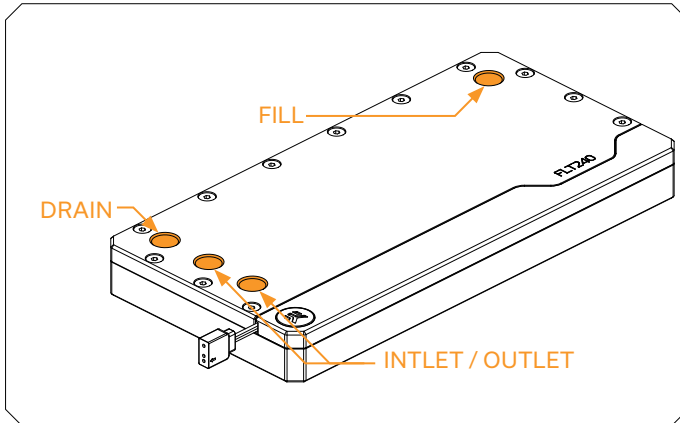
3d.

Lastly the supplied M4 nuts, washers and M4x10 screws may be used to secure the reservoir to a case with the mounts. This is useful when there is no clearance behind for the pump or to prevent all airflow being blocked

ATTACHING THE FITTINGS

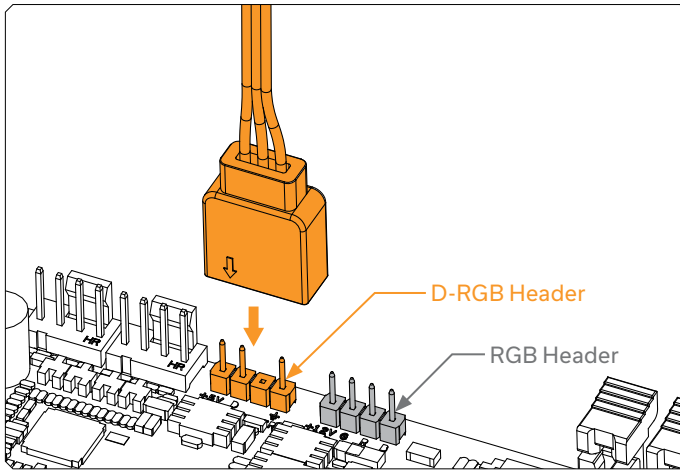


EK-Quantum Kinetic FLT has two inlet and two outlet ports, one of each must be used! All 4 unused ports should be blocked using G1/4 plugs.



EK-Quantum Volume FLT has two ports which can be used as inlet or outlet, the chosen outlet should connect directly to your pump! The reservoir should be positioned above the pump to ensure it does not run without coolant. Both unused ports should be blocked using G1/4 plugs.

CONNECTING THE D-RGB LED STRIP



Plug the 3-pin connector from the water block's D-RGB LED light in the D-RGB HEADER on the motherboard. The LED will work if the pin layout on the header is as follows: +5V, Digital.



Please ensure that the arrow indicated on the connector is plugged into the +5V line as indicated on your motherboard. Failure to do so will damage your motherboard or LED strip.

TESTING THE LOOP

To make sure the installation of EK components was successful, we recommend you perform a leak test for 24 hours.

When your loop is complete and filled with coolant, connect the pump to a PSU outside of your system. Do not connect power to any of the other components. Turn on the PSU and let the pump run continuously. It is normal for the coolant level to drop during this process as air collects in the reservoir.

Inspect all parts of the loop, and in the eventuality that coolant leaks, fix the issue and repeat the testing process. Ensure that all hardware is dry before the system is powered on in order to prevent any damage.


SUPPORT AND SERVICE

For assistance please contact:


<http://support.ekwb.com/>

EKWB d.o.o.
Pod lipami 18
1218 Komenda
Slovenia - EU

SOCIAL MEDIA

 EKWaterBlocks

 @EKWaterBlocks

 ekwaterblocks

 EKWBofficial

 ekwaterblocks

