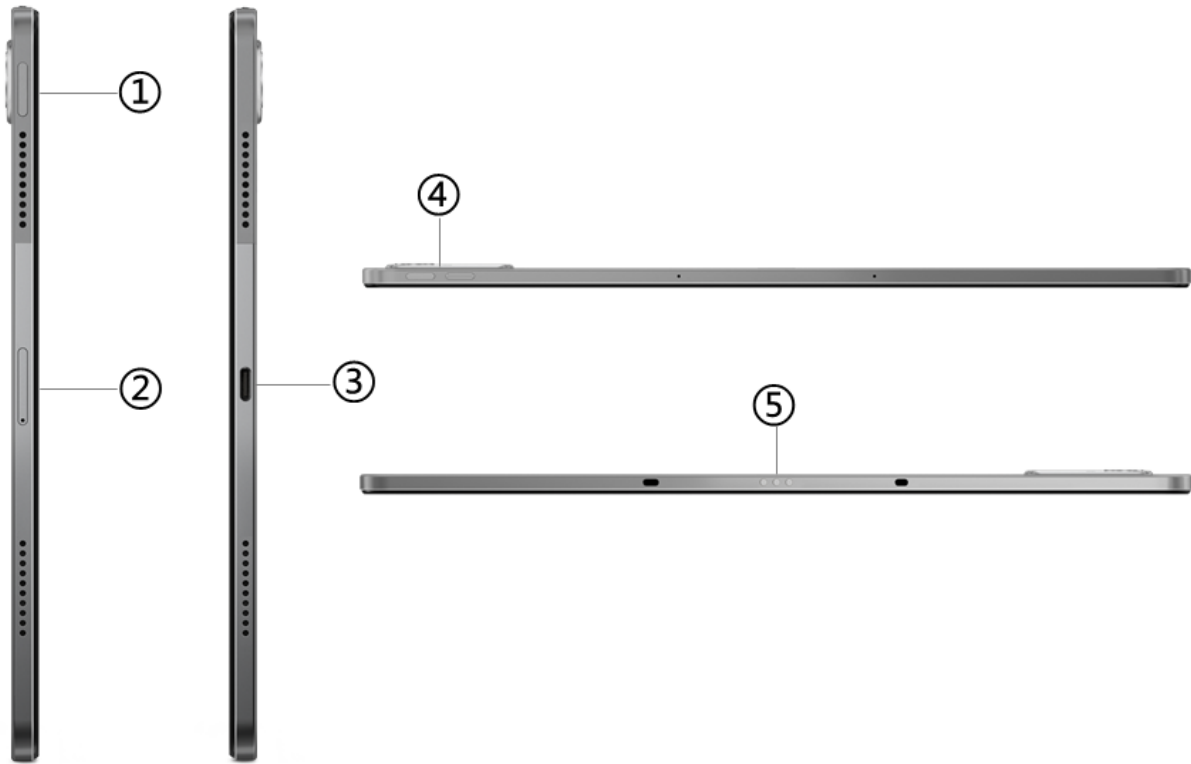


**OVERVIEW**



1. Power button (with fingerprint reader)	4. Volume buttons
2. MicroSD card slot	5. Pogo pin connector (3-point)
3. USB-C 2.0	

## PERFORMANCE

### Processor

#### Processor Family

MediaTek Processor

#### Processor

Processor Name	Cores	Max Frequency	Processor Graphics
MediaTek Dimensity 7050	Octa-core 2x A78 + 6x A55	A78@2.6 GHz A55@2.0 GHz	ARM Mali-G68

### Operating System

#### Operating System<sup>[1]</sup>

Android™ 13 or later

Notes:

[1] The operating system at launch is Android 13. Expect two OS upgrades and 4 years security updates. For the latest software upgrade information, please visit <https://support.lenovo.com/solutions/ht501098>.

### Graphics

#### Graphics

Graphics	Type	Memory
ARM Mali-G68	Integrated	Shared

### Chipset

#### Chipset

MediaTek SoC (System on Chip) platform

### Memory

#### Max Memory

- 4GB soldered memory, not upgradable
- 8GB soldered memory, not upgradable

#### Memory Type

LPDDR4x

### Storage

#### Storage Support

- 128GB uMCP (UFS-Based MCP, UFS 2.2)
- 256GB uMCP (UFS-Based MCP, UFS 2.2)
- microSD card, supports up to 1TB (exFAT)

#### Storage Type

Disk Type	Interface	Offering
Flash Memory	UFS 2.2	128GB / 256GB

### Removable Storage

#### Card Reader

microSD card slot

### Multi-Media

#### Speakers

Quad JBL® speakers, sound by JBL, 1W x4, optimized with Dolby® Atmos®

#### Microphone

Dual-microphone array

#### Camera

Front 13.0MP, f/2.2, 122° FoV (field of view) fixed focus, video recording 4K@30fps, 1080p@30fps, 720@30fps, face unlock  
Rear 8.0MP, f/2.2, 86.2° FoV, autofocus, video recording 1080p@30fps, 720@30fps; single LED flashlight

**VoiceCall**

No support

**Sensor**

**Vibration Motor**

No support

**Sensors**

- Accelerometer (G) sensor
- e-Compass
- Gyroscope sensor
- Hall sensor
- RGB sensor

**Battery**

**Battery**

Integrated Li-Polymer 10200mAh (typical) battery

**Max Battery Life<sup>[1]</sup>**

Online video playback: 8.79 hr

Web browsing: 10 hr

Notes:

[1] All battery life claims are approximate and based on internal testing under optimal laboratory and network conditions. Actual battery performance will vary depending on numerous factors including product configuration and usage, software, operating conditions, wireless functionality, power management settings, screen brightness and other factors. The maximum capacity of the battery will naturally decrease with time and usage.

**Power Adapter**

**Power Adapter**

10V/2A (20W) AC adapter, 100-240V, 50-60Hz

**DESIGN**

**Display**

**Display<sup>[1]</sup>**

Size	Resolution	Touch	Type	Brightness	Surface	Aspect Ratio	Contrast Ratio	Color Gamut	Refresh Rate	Viewing Angle (L/R/U/D)	Key Features
12.7"	3K (2944x1840)	Multi-touch	LTPS	400 nits	Anti-fingerprint	16:10	1500:1	96% DCI-P3	60Hz	80°/80°/80°/80°	273 PPI

**Touchscreen**

In-cell multi-touch, supports 10-point touch

Notes:

[1] California Electronic Waste Recycling Fee  
In California USA, per state law, Lenovo® charges an electronic waste recycling fee on this covered device at the time of sale of the product. For more information, please go to <https://www.calrecycle.ca.gov/Electronics/Consumer>.

**Input Device**

**Pen**

- Lenovo Tab Pen Plus, 4096 levels of pressure sensitivity, tilt detection, palm rejection
- No pen (purchase separately)<sup>[1]</sup>

Notes:

[1] For details upon pen compatibility, please check the file "Lenovo Android Tablet - Option Compatibility Matrix" from <https://support.lenovo.com/solutions/accs-guide>.

## Mechanical

### Dimensions (WxDxH)<sup>[1]</sup>

293.37 x 190.76 x 6.9 mm with camera bump 8.42 mm (11.55 x 7.51 x 0.27 - 0.33 inches)

### Weight<sup>[2]</sup>

Around 615 g (1.36 lbs)

### Case Color

- Oat, dual-tone design
- Storm grey, dual-tone design

### Case Material

Metal

### Buttons

- Power button
- Volume buttons

---

Notes:

[1] The system dimensions may vary depending on configurations.

[2] The system weight is approximate and based on results in Lenovo lab, which varies depending on the source of component, variance of the distribution of each component, and manufacturing process. It may not be the exact weight for each specific model.

## CONNECTIVITY

### Network

#### WLAN + Bluetooth®

Wi-Fi® 6, 802.11ax 2x2 Wi-Fi + Bluetooth 5.1

#### WWAN

No support

#### Cellular Bands

No support

#### Wi-Fi Direct

Support

#### Wi-Fi Display

Support

#### Location Services

GPS + GLONASS + Galileo

### Ports<sup>[1]</sup>

#### Standard Ports

- 1x USB-C® 2.0 (support data transfer and charging)
- 1x microSD card slot
- 1x Pogo pin connector (3-point)

---

Notes:

[1] The transfer speed of following ports will vary and, depending on many factors, such as the processing speed of the host device, file attributes and other factors related to system configuration and your operating environment, will be slower than theoretical speed.

USB 2.0: 480 Mbit/s;

USB 3.2 Gen 1 (SuperSpeed USB 5Gbps, formerly USB 3.0 / USB 3.1 Gen 1): 5 Gbit/s;

USB 3.2 Gen 2 (SuperSpeed USB 10Gbps, formerly USB 3.1 Gen 2): 10 Gbit/s;

USB4® 20Gbps / USB 3.2 Gen 2x2 (SuperSpeed USB 20Gbps): 20 Gbit/s;

USB4 40Gbps (USB 40Gbps): 40 Gbit/s;

Thunderbolt™ 3/4: 40 Gbit/s.

## Docking

### Docking

- Lenovo Keyboard Pack for Tab P12, one piece touchpad 62 x 105 mm (2.44 x 4.13 inches)
- No dock

## SECURITY & PRIVACY

### Security

#### Fingerprint Reader

Touch style fingerprint reader integrated in power button

## SERVICE

### Warranty<sup>[1]</sup>

#### Base Warranty

- 1-year carry-in service
- 1-year mail-in service
- 1-year courier service
- 2-year (1-yr battery) carry-in service
- 2-year (1-yr battery) mail-in service
- 2-year (1-yr battery) courier service
- 2-year (2-yr battery) carry-in service
- 2-year (2-yr battery) courier or carry-in service
- 3-year (1-yr battery) courier service

Notes:

[1] Some model may be bundled with warranty upgrade service. To get the service details, please go to <https://smartfind.lenovo.com>. To learn more details of warranty policy, please access <https://pcsupport.lenovo.com/warranty>.

## ENVIRONMENTAL

### Operating Environment

#### Temperature

Operating: 0°C (32°F) to 40°C (104°F)

## SOFTWARE

### Preinstalled Software

#### Preinstalled Software<sup>[1][2]</sup>

- Entertainment Space
- Chrome
- Gmail
- Google
- Google Play
- Google Sheets
- Google TV
- Google Podcasts
- Google One
- Google Docs
- Google Duo
- Google Drive
- Google Kids Space
- Google Lens™
- Google Maps
- Gallery Go by Google Photos
- Files by Google
- Messages
- Recorder
- YouTube
- YouTube Kids

- YouTube Music
- Lenovo Freestyle
- Lenovo Vantage
- MyScript® Calculator
- Nebo®
- WPS

---

Notes:

[1] Actual application availability varies by country/region.

[2] Books and video content not available in all regions. Video content subject to availability of YouTube Kids app. Books content requires the Play Books app. Availability of apps, books, and video content may change without notice. Google Assistant not available in Google Kids Space. Google Kids Space requires a Google Account for your child. Parental controls require the Family Link app on a supported Android, Chromebook, or iOS device.

## CERTIFICATIONS

### Green Certifications<sup>[1]</sup>

#### Green Certifications

- ENERGY STAR® 8.0
- ErP Lot 6
- ErP Lot 26
- RoHS compliant

---

Notes:

[1] The items listed under the "Green Certifications" section may not only refer to certification but also registration or self-declaration.

### Other Certifications

#### Other Certifications

- TÜV Rheinland® Flicker Free
- TÜV Rheinland Full Care Display 3.0 Certification

- Lenovo reserves the right to change specifications or other product information without notice. Lenovo is not responsible for photographic or typographical errors. LENOVO PROVIDES THIS PUBLICATION "AS IS," WITHOUT WARRANTY OF ANY KIND, EITHER EXPRESS OR IMPLIED, INCLUDING THE IMPLIED WARRANTIES OF MERCHANTABILITY OR FITNESS FOR A PARTICULAR PURPOSE. Some jurisdictions do not allow disclaimer of express or implied warranties in certain transactions, therefore this disclaimer may not apply to you.
- The specifications on this page may not be available in all regions, and may be changed or updated without notice.

