

plantronics®  
GAMING

# RIG

AUDIO AMP/MIXER

QUICK START GUIDE

## WHAT'S IN THE BOX



**A** Headset



**B** Mixer

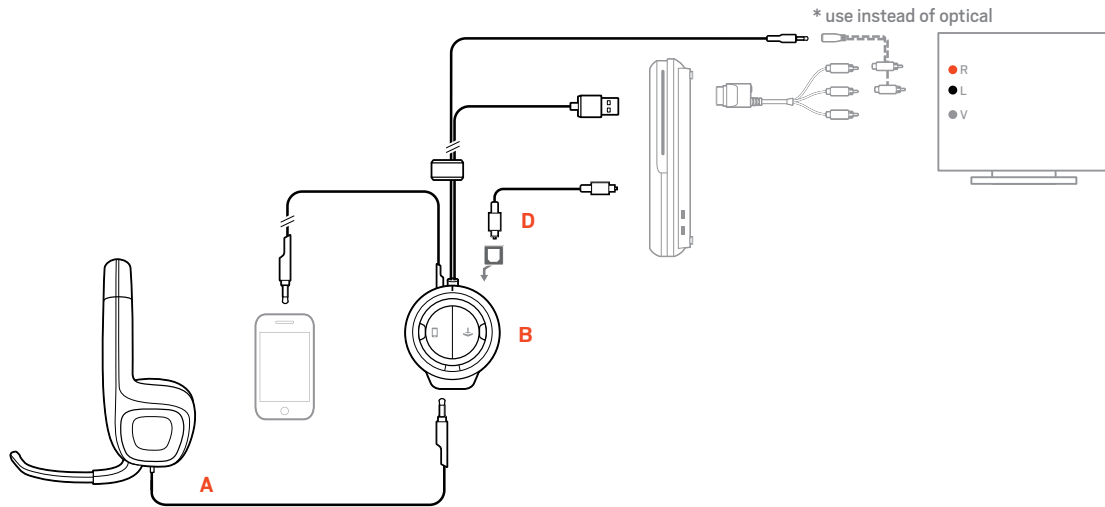


**C** Xbox chat cable



**D** Optical cable

## PS3/PS4 SETUP



## WHAT'S IN THE BOX



**A** Headset



**B** Mixer

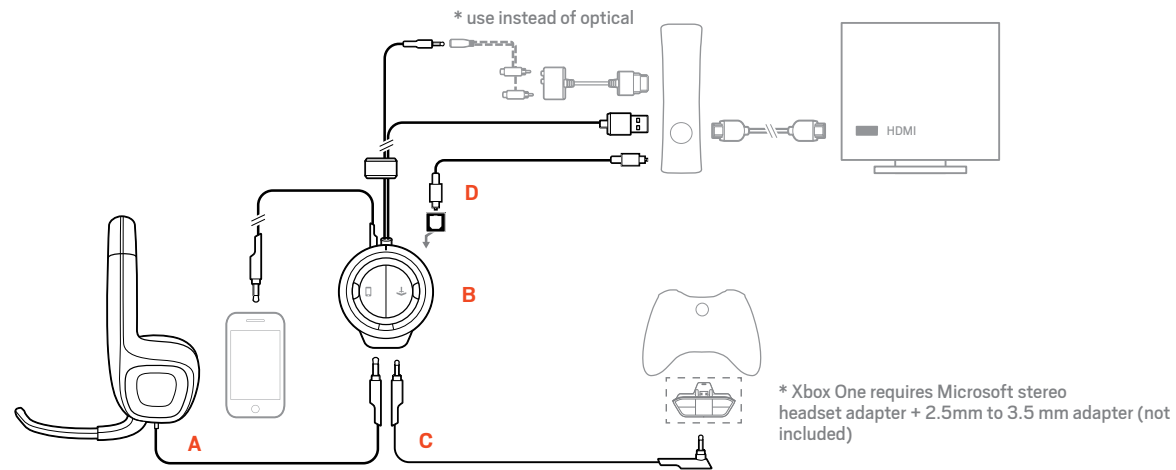


**C** Xbox chat cable



**D** Optical cable

## XBOX HDMI SETUP



## WHAT'S IN THE BOX



**A** Headset



**B** Mixer

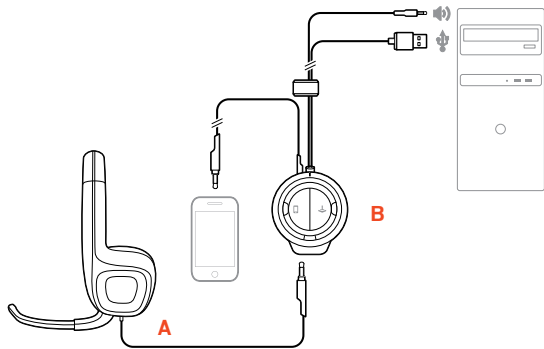


**C** Xbox chat cable

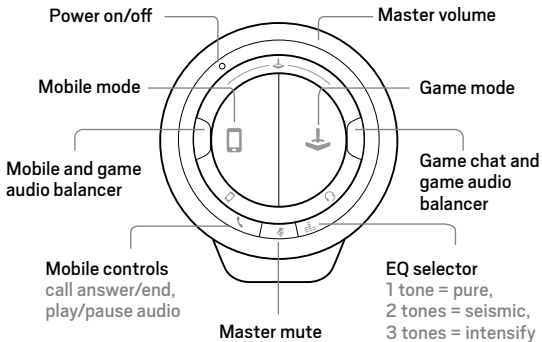


**D** Optical cable

## PC SETUP

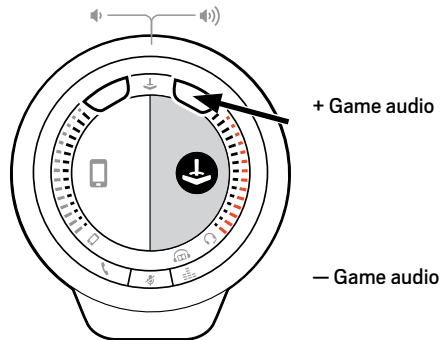


# CONTROL OVERVIEW

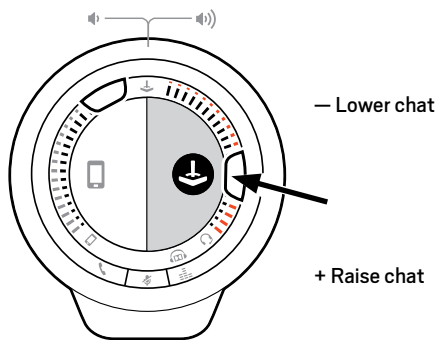


**AUDIO SETTINGS** Use these settings as a starting point to get optimum sound performance.

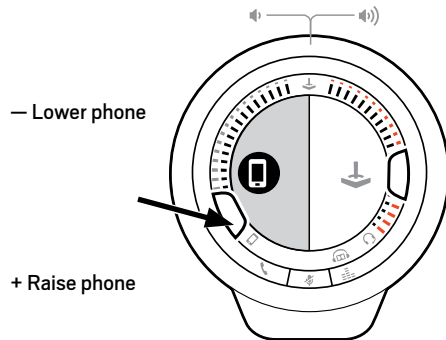
**Game audio only**



**Game/Chat audio**



**Phone call**





[plantronics.com/documentation](http://plantronics.com/documentation)



[plantronics.com/support](http://plantronics.com/support)

We, Plantronics, 345 Encinal Street, Santa Cruz, California, 95060 USA, (800) 544-4660, declare under our sole responsibility RIG audio amp/mixer complies with Part 15 of the FCC Rules. Operation is subject to the following two conditions: (1) this device may not cause harmful interference, and (2) this device must accept any interference received, including interference that may cause undesired operation.

Note: This equipment has been tested and found to comply with the limits for a Class B digital device, pursuant to part 15 of the FCC Rules. These limits are designed to provide reasonable protection against harmful interference in a residential installation. This equipment generates, uses, and can radiate radio frequency energy and, if not installed and used in accordance with the instructions, may cause harmful interference to radio communications. However, there is no guarantee that interference will not occur in a particular installation. If this equipment does cause harmful interference to radio or television reception, which can be determined by turning the equipment off and on, the user is encouraged to try to correct the interference by one or more of the following measures:

- Reorient or relocate the receiving antenna.
- Increase the separation between the equipment and receiver.
- Connect the equipment into an outlet on a circuit different from that to which the receiver is connected.
- Consult the dealer or an experienced radio/TV technician for help.

Changes or modifications not expressly approved by the party responsible for compliance could void the user's authority to operate the equipment.



Recyclable where facilities exist

© 2014 Plantronics, Inc. Plantronics and RIG are trademarks of Plantronics, Inc. registered in the US and other countries.

Patents: CN ZL201330532415.X; EM 002330746; Patents pending.

201861-03 11.14