



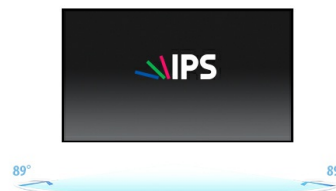
24" P-CAP 10pt touch screen featuring IPS panel technology and Anti Glare coating

With its Full HD (1920x1080) resolution and accurate Projective Capacitive 10 point touch technology, the ProLite T2454MSC-B1AG delivers seamless and accurate touch response. Featuring IPS LCD screen technology, it offers exceptional colour performance and wide viewing angles, making it a perfect choice for a vast array of interactive applications. The Anti Glare coating helps to avoid issues with reflections and external light sources affecting colour reproduction, contrast and sharpness. Its flexible stand can be positioned at several angles creating a comfortable and ergonomic user experience. The ProLite T2454MSC-B1AG is the ideal solution for interactive signage, instore retail, POS and interactive presentations.



Touch technology - Capacitive

This technology uses a sensor-grid of micro-fine wires integrated into the glass that covers the screen. Touch is detected because electrical characteristics of the sensor grid change when human finger is placed on the glass. Thanks to the glass overlay this technology is highly durable, and the touch function remains unaffected even if the glass is scratched. It offers perfect picture performance and will work with human finger (also latex gloved) and stylus-pen.



IPS

IPS technology offers higher contrast, darker blacks and much better viewing angles than standard TN technology. The screen will look good no matter what angle you look at it.

01 DISPLAY CHARACTERISTICS

| | |
|-------------------------|---|
| Design | Ultra thin bezel |
| Diagonal | 23.8", 60.5cm |
| Panel | IPS LED, AG coated glass |
| Native resolution | 1920 x 1080 @60Hz (2.1 megapixel Full HD) |
| Aspect ratio | 16:9 |
| Brightness | 250 cd/m ² typical |
| Static contrast | 1000:1 typical |
| Advanced contrast | 5M:1 |
| Response time | 4ms |
| Viewing zone | horizontal/vertical: 178°/178°, right/left: 89°/89°, up/down: 89°/89° |
| Colour support | 16.7mln (8bit) |
| Horizontal Sync | 30 - 80KHz |
| Vertical Sync | 56 - 75Hz |
| Viewable area W x H | 527.04 x 296.46mm, 20.7 x 11.7" |
| Pixel pitch | 0.274mm |
| Bezel colour and finish | black, matte |

02 TOUCH

| | |
|-----------------------------|---|
| Touch technology | projective capacitive |
| Touch points | 10 (HID, only with supported OS) |
| Touch method | stylus, finger, glove (latex) |
| Touch interface | USB |
| Supported operating systems | All iiyama monitors are Plug & Play and compatible with Windows and Linux. For details regarding the supported OS for the touch models, please refer to the driver instruction file available in the downloads section. |
| Palm rejection | yes |

03 INTERFACES / CONNECTORS / CONTROLS

| | |
|----------------------|-----------------|
| Analog signal input | VGA x1 |
| Digital signal input | HDMI x1 |
| Audio output | Speakers 2 x 2W |
| HDCP | yes |
| USB HUB | x2 (v.3.0) |

04 FEATURES

| | |
|----------------|--------------|
| Impact testing | IPX1 (front) |
| OSD key lock | yes |

05 GENERAL

| | |
|-----------------|--|
| OSD languages | EN, DE, FR, RU, JP, ES, IT, PT, PL, NL |
| Control buttons | Auto, + Up, - Down, . Menu, Power |

| | |
|--------------------|---|
| User controls | Picture adjust (brightness, contrast, Eco, i-Style Color, adv. contrast), Geometry (pixel clock, phase, horizontal position, vertical position, aspect), Color settings (gamma, color temp), OSD (OSD horizontal position, OSD vertical position, OSD time, language, auto power off, touch wake up), Extra (reset, signal select, audio input, opening logo, LED, Overdrive, Information, volume, auto adjust) |
| Convenience | Kensington-lock™ prepared |
| Blue light reducer | yes |
| Plug&Play | DDC2B |

06 MECHANICAL

| | |
|-------------------|-----------------------------------|
| Height adjustment | 70mm |
| Tilt angle | 5° up; 90° down |
| VESA mounting | 100 x 100mm |
| MTBF | 30000 hours (excluding backlight) |

07 ACCESSORIES INCLUDED

| | |
|--------|---|
| Cables | power (1.8m), VGA (1.8m), USB (1.8m), HDMI (1.8m) |
| Guides | quick start guide, safety guide |

08 POWER MANAGEMENT

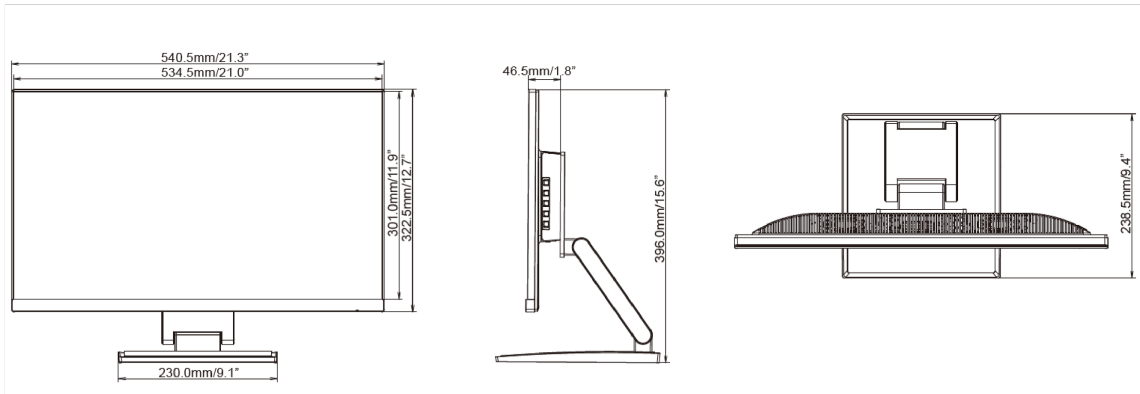
| | |
|-------------------|----------------------------|
| Power supply unit | internal |
| Power supply | AC 100 - 240V, 50/60Hz |
| Power usage | 24W typical, 0.5W stand by |

09 SUSTAINABILITY

| | |
|-------------|---|
| Regulations | CE, TÜV-Bauart, VCCI-B, EAC, ErP, WEEE, REACH, RoHS support, CB |
|-------------|---|

10 DIMENSIONS / WEIGHT

| | |
|------------------------------|---------------------|
| Product dimensions W x H x D | 540.5 x 388 x 128mm |
| Weight (without box) | 5.5kg |



All trademarks and registered trademarks acknowledged. E & O E. Specification subject to change without notice. All LCD's comply with ISO-9241-307:2008 in connection with pixel defects.

© IIYAMA CORPORATION. ALL RIGHTS RESERVED