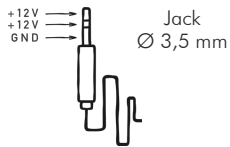


CONNECTINGS + TRIGGER



- 1) Ampli input and output (line).
- 2) General power plug and ON/OFF button (with internal fuse).
- 3) Left channel output.
- 4) Right channel output.
- 5) 12V Trigger input⁽¹⁾.

⁽¹⁾ Trigger input: This input allows the control ON/OFF of your amplifier simultaneously to any device with a 12V Trigger outlet. For the system to operate, the On/Off button on your AM200 must remain in the off position (0). If the switch is in the ON position (I), the amplifier will work but not the Trigger function.



Trigger cable must be a Male to Male stereo jack plug Ø 3,5 mm (1/8").

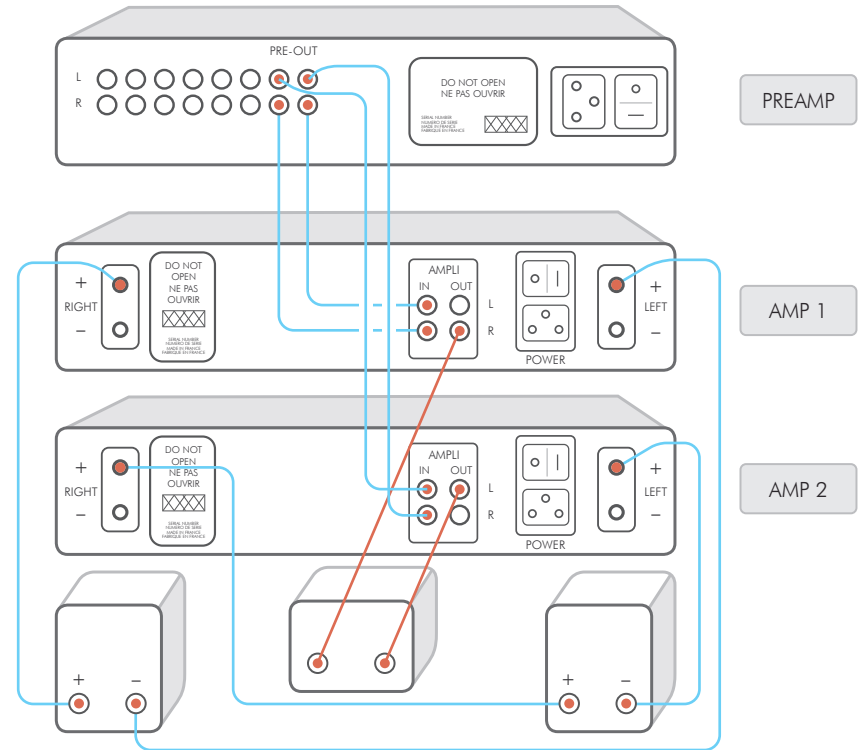
DETAILS OF FUNCTIONS



- 6) Power indicator led.

CONNECTINGS

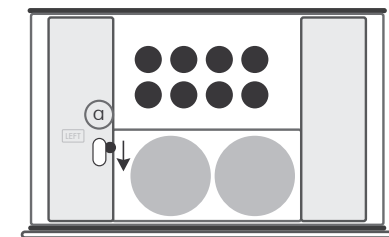
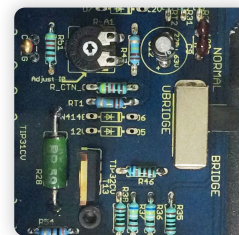
(Configuration: 1 Preamplifier & 2 bridged mono amplifier).



BRIDGE MONO MODE

To transform your Power Amplifier from Stereo to Mono, you have to push the switch placed inside the appliance as shown below:

Warning: be sure that your amplifier is unplugged and that no other appliance is plug-in during this operation.



Internal view

E.C. MARKING

E.C. marking certified the conformity with low tension directive 73/23/CEE, directive CEM 89/336/CEE, and national transpositions.

WARRANTY CONDITIONS

The guarantee is **two years** period from the date of purchase. We recommend you to ask your dealer to fill the guarantee and to conserve it. The guarantee is only available for appliances that have been used correctly.

MAINTENANCE

Before any cleaning, switch off your device. Use a soft and dry rag to clean up the appliance. Never use acetone, white-spirit, ammoniac, or any kind of product containing an abrasive agent. **Never try to clean up inside the appliance.**



TECHNICAL DATA

Power Wrms/ch./8Ω (230v):	120 W
Power Wrms/ch./4Ω (230v):	200 W
Impulse power Wrms/ch.:	300 W
Power supply:	2×340 VA
Total of capacitors:	57 280 μF
Number of inputs:	2
Switch OFF consumption:	0 W
ON consumption:	20 W - 600 W
Input impedance:	220 kΩ
Sensitivity:	1,77 V
Signal/Noise ratio:	100 dB
Distortion at 1 kHz:	0,05%
Frequency response:	5 Hz - 100 kHz
Rising time:	1,5 μs
Dimensions:	440×295×95 mm
Weight:	12 Kg



CAUTIONS

- **Do not make any connections when your device is powered on.**
- Put your device in a dry and well-ventilated place, far from a source of heat.
- Avoid putting something on your amplifier.
- Strictly respect polarity ⊕ & ⊖, as well as the left and right connections.
- Avoid any short-cut.
- Do not plug-in two speakers in parallel on the same output.



ADVISES

- To optimize the performance of your device, you should switch it on at least half an hour before any listening, the time for the power stage to reach its ideal working temperature.
- Your device will give you optimal listening quality after this time-lapse.
- Between two uses, it is, therefore, preferable to let the device on so that it remains at its optimum temperature.
- At night or when you leave your home, it is best to use the main switch to turn off the device.
- To optimize the sound quality of your system, we recommend that you choose good-quality connection cords. Do not hesitate to ask your specialist dealer for advice.
- Your amplifier is equipped with a temporized switch on. A relay protects loudspeakers on the output power stage from over-voltage.

You have just bought an amplifier with exceptional audiophile performance. We really thank you for your confidence in our products. To get the best part of your amplifier, please read carefully this manual.



**YOU WILL FIND
ENCLOSED**

- A power amplifier AM200 Signature.
- One power lead.
- This manual with the certificate of guarantee.

ATOLL ELECTRONIQUE®

*est une marque française qui conçoit, fabrique et commercialise
l'ensemble de ses produits.*



M A D E I N F R A N C E



WARRANTY FORM ~ MODEL AM200 Sig

To present to your dealer with the invoice when returning back the appliance:

ATOLL ELECTRONIQUE®
Bd des Merisiers
50370 BRECEY
FRANCE

Date of purchase:

Place of purchase:

Buyer signature:

Dealer Stamp

OWNER'S MANUAL

AM200 SIGNATURE

STEREO POWER AMPLIFIER



.....
www.atoll-electronique.com
.....