

Milwaukee®

Nothing but **HEAVY DUTY**®



M18 FHS20

Original instructions

Originalbetriebsanleitung

Notice originale

Istruzioni originali

Manual original

Oorspronkelijke gebruiksaanwijzing

Original brugsanvisning

Original bruksanvisning

Bruksanvisning i original

Alkuperäiset ohjeet

Πρωτότυπο οδηγιών χρήσης

Orijinal işletme talimatı

Původním návodem k používání

Pôvodný návod na použitie

Instrukcja oryginalna

Eredeti használati utasítás

Izvirna navodila

Originalne pogonske upute

Instrukcijām oriģinālvalodā

Originali instrukcija

Algupärane kasutusjuhend

Оригинальное руководство по эксплуатации

Оригинално ръководство за експлоатация

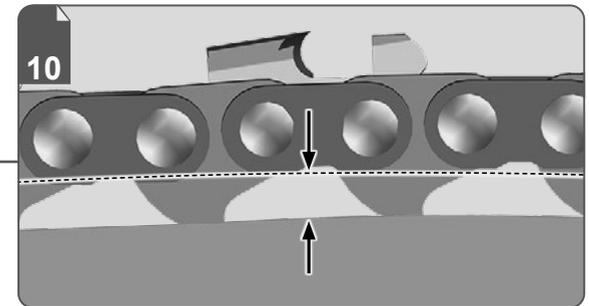
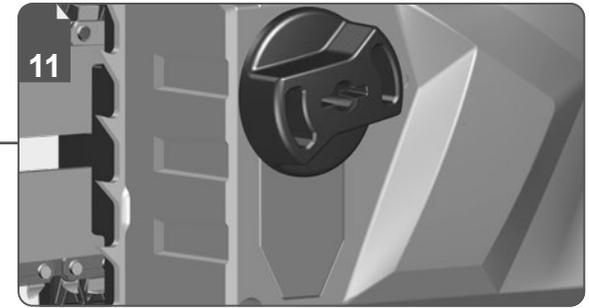
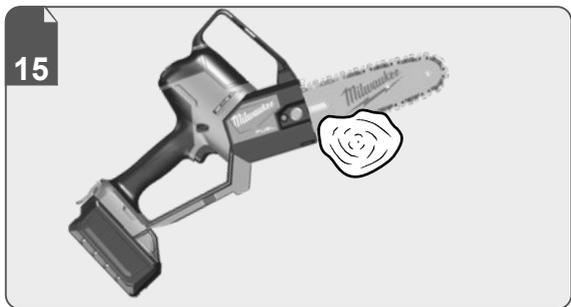
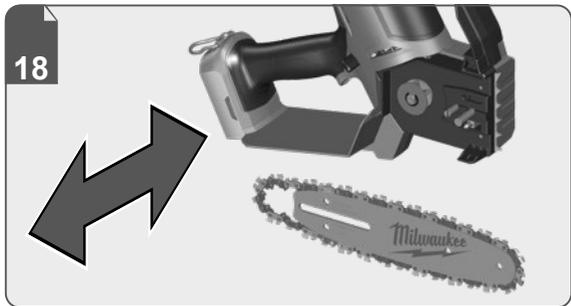
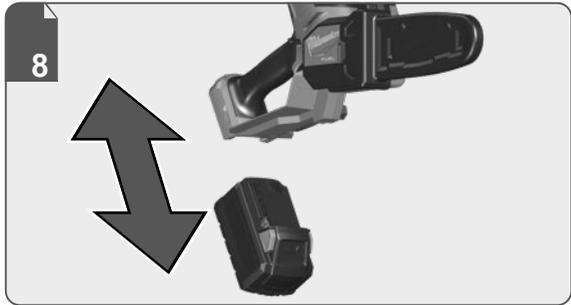
Instrucțiuni de folosire originale

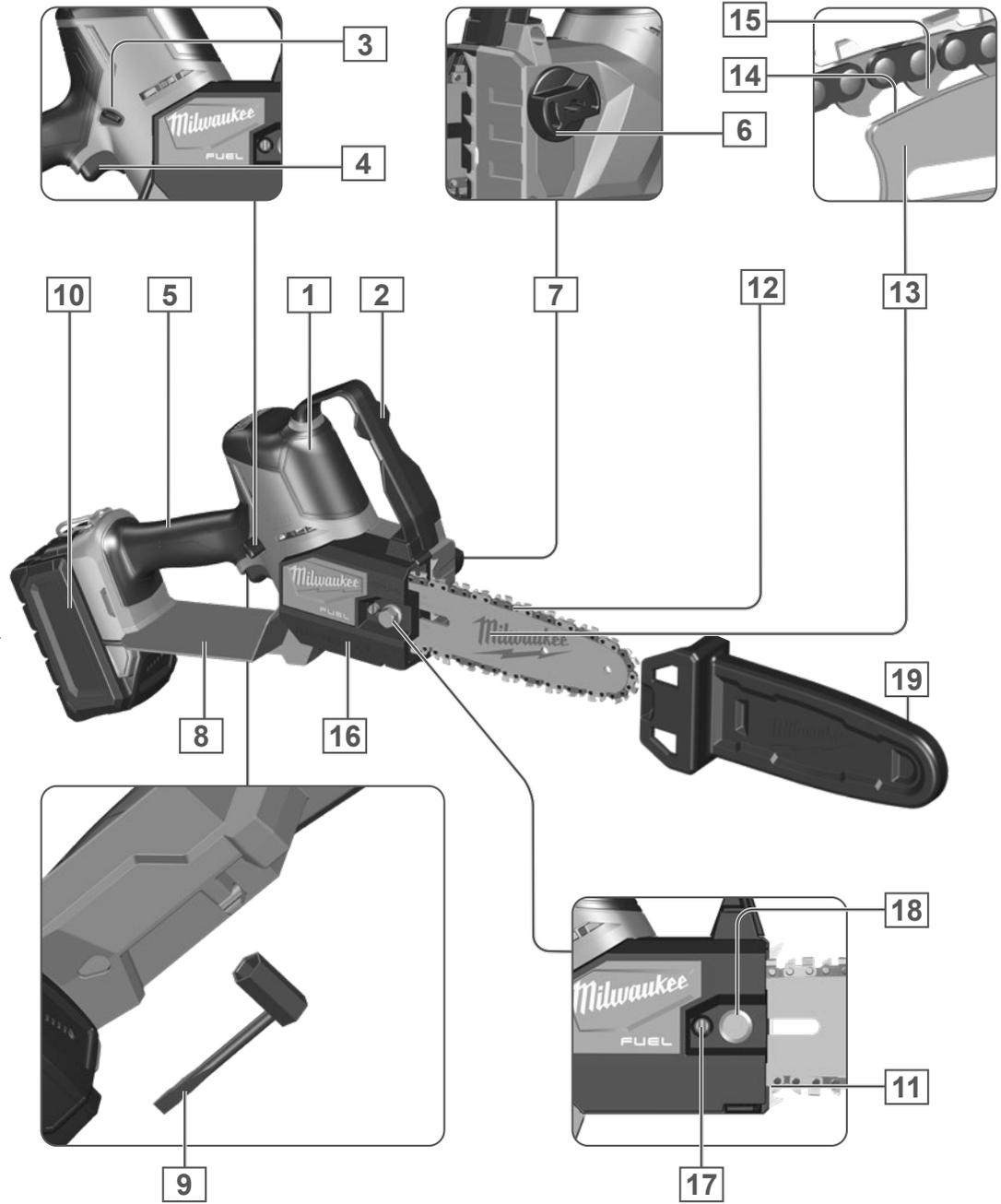
Оригинален прирачник за работа

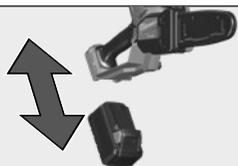
Оригінал інструкції з експлуатації

التعليمات الأصلية

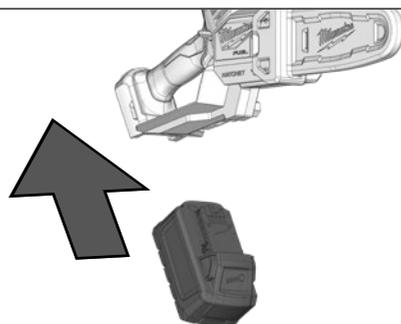
ENGLISH	Picture section with operating description and functional description	Page	4	Text section with Technical Data, important Safety and Working Hints and description of Symbols	Page	23
DEUTSCH	Bildteil mit Anwendungs- und Funktionsbeschreibungen	Seite	4	Textteil mit Technischen Daten, wichtigen Sicherheits- und Arbeitshinweisen und Erklärung der Symbole.	Seite	30
FRANÇAIS	Partie imagée avec description des applications et des fonctions	Page	4	Partie textuelle avec les données techniques, les consignes importantes de sécurité et de travail ainsi que l'explication des pictogrammes.	Page	37
ITALIANO	Sezione illustrata con descrizione dell'applicazione e delle funzioni	Pagina	4	Sezione testo con dati tecnici, importanti informazioni sulla sicurezza e sull'utilizzo, spiegazione dei simboli.	Pagina	44
ESPAÑOL	Sección de ilustraciones con descripción de aplicación y descripción funcional	Página	4	Sección de texto con datos técnicos, indicaciones importantes de seguridad y trabajo y explicación de los símbolos.	Página	51
PORTUGUES	Parte com imagens explicativas contendo descrição operacional e funcional	Página	4	Parte com texto explicativo contendo Especificações técnicas, avisos de segurança e de operação e a descrição dos símbolos.	Página	58
NEDERLANDS	Beeldgedeelte met toepassings- en functiebeschrijvingen	Pagina	4	Tekstgedeelte met technische gegevens, belangrijke veiligheids- en arbeidsinstructies en verklaring van de symbolen.	Pagina	65
DANSK	Billedel med anvendelses- og funktionsbeskrivelser	Side	4	Tekstdel med tekniske data, vigtige sikkerheds- og arbejdsanvisninger og symbolforklaring.	Side	72
NORSK	Billedel med bruks- og funksjonsbeskrivelse	Side	4	Tekstdel med tekniske data, viktige sikkerhets- og arbeidsinstruksjoner og forklaring av symbolene.	Side	79
SVENSKA	Bilddel med användnings- och funktionsbeskrivning	Sidan	4	Textdel med tekniska informationer, viktiga säkerhets- och användningsinstruktioner samt symbolförklaringar.	Sidan	86
SUOMI	Kuvasivut käyttö- ja toimintakuvaus	Sivu	4	Tekstisivut: tekniset tiedot, tärkeät turvallisuus- ja työskentelyohjeet sekä merkkien selitykset.	Sivu	93
ΕΛΛΗΝΙΚΑ	Τμήμα εικόνων με περιγραφές χρήσης και λειτουργίας	Σελίδα	4	Τμήμα κειμένου με τεχνικά χαρακτηριστικά, σημαντικές υποδείξεις ασφαλείας και εργασίας και εξήγηση των συμβόλων.	Σελίδα	100
TÜRKÇE	Resim bölümü Uygulama ve fonksiyon açıklamaları ile birlikte	Sayfa	4	Teknik bilgileri, önemli güvenlik ve çalışma açıklamalarını ve de sembollerin açıklamalarını içeren metin bölümü.	Sayfa	108
ČESKY	Obrazová část s popisem aplikací a funkcí	Stránka	4	Textová část s technickými daty, důležitými bezpečnostními a pracovními pokyny a s vysvětlivkami symbolů	Stránka	115
SLOVENSKY	Obrazová část s popisom aplikácií a funkcií	Stránka	4	Textová časť s technickými dátami, dôležitými bezpečnostnými a pracovnými pokynmi a s vysvetlivkami symbolov	Stránka	122
POLSKI	Część rysunkowa z opisami zastosowania i działania	Strona	4	Część opisowa z danymi technicznymi, ważnymi wskazówkami dotyczącymi bezpieczeństwa i pracy oraz objaśnieniami symboli.	Strona	129
MAGYAR	Képes részalkalmazási- és működési leírásokkal	Oldal	4	Szöveges rész műszaki adatokkal, fontos biztonsági- és munkavégzési útmutatásokkal, valamint a szimbólumok magyarázata.	Oldal	136
SLOVENŠČINA	Del slikez opisom uporabe in funkcij	Stran	4	Del besedila s tehničnimi podatki, pomembnimi varnostnimi opozorili in delovnimi navodili in pojasnili simbolov.	Stran	143
HRVATSKI	Dio sa slikamasa opisima primjene i funkcija	Stranica	4	Dio štiva sa tehničkim podacima, važnim sigurnosnim i radnim uputama i objašnjenjem simbola.	Stranica	150
LATVISKI	Attēla daļa ar lietošanas un funkciju aprakstiem	Lappuse	4	Teksta daļa ar tehniskajiem parametriem, svarīgiem drošības un darbības norādījumiem, simbolu atšifrējumiem.	Lappuse	157
LIETUVIŠKAI	Paveikslėlio dalis su vartojimo instrukcija ir funkcijų aprašymais	Puslapis	4	Teksto dalis su techniniais duomenimis, svarbiomis saugumo ir darbo instrukcijomis bei simbolių paaiškinimais.	Puslapis	164
EESTI	Pildiosa kasutusjuhendi ja funktsioonide kirjeldusega	Lehekülg	4	Tekstiosa tehniliste näitajate, oluliste ohutus- ja tööjuhenditega ning sümbolite kirjeldustega.	Lehekülg	171
РУССКИЙ	Раздел иллюстраций с описанием эксплуатации и функций	Страница	4	Текстовый раздел, включающий технические данные, важные рекомендации по безопасности и эксплуатации, а также описание используемых символов.	Страница	177
БЪЛГАРСКИ	Част със снимки с описание за приложение и функции	Страница	4	Част с текст с технически данни, важни указания за безопасност и работа и разяснение на символите.	Страница	185
ROMÂNĂ	Secvența de imagine cu descrierea utilizării și a funcționării	Pagina	4	Porțiune de text cu date tehnice, indicații importante privind siguranța și modul de lucru și descrierea simbolurilor.	Pagina	193
МАКЕДОНСКИ	Дел со сликисо описи за употреба и функционирање	Страница	4	Текстуален дел со Технички карактеристики, важни безбедносни и работни упатства и објаснување на символите.	Страница	200
УКРАЇНСЬКА	Частина з зображеннями з описом робіт та функцій	Сторінка	4	Текстова частина з технічними даними, важливими вказівками з техніки безпеки та експлуатації і поясненням символів.	Сторінка	207
عربي	قسم الصور يوجد به الوصف التشغيلي والوظيفي	الصفحة	4	القسم النصي المزود بالبيانات الفنية والنصائح الهامة للسلامة والعمل ووصف الرموز	الصفحة	214



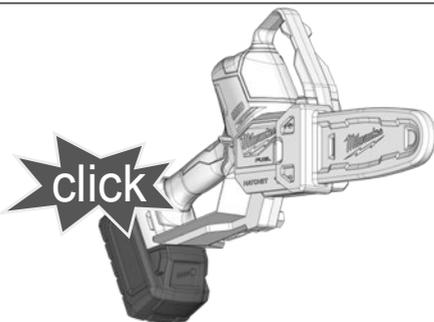




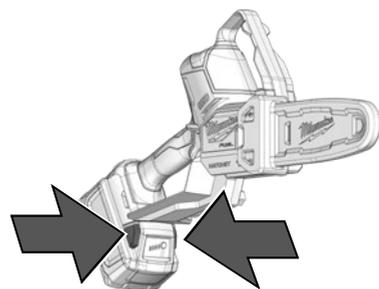
1



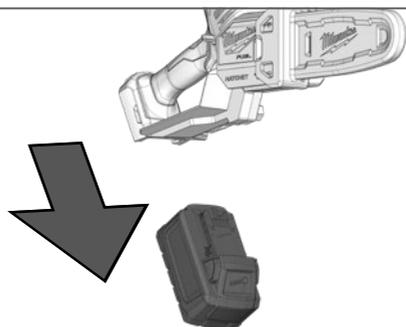
2



1



2



Remove the battery pack before starting any work on the machine.

Vor allen Arbeiten an der Maschine den Wechselakku herausnehmen.

Avant tous travaux sur la machine retirer l'accu interchangeable.

Prima di iniziare togliere la batteria dalla macchina.

Retire la batería antes de comenzar cualquier trabajo en la máquina.

Antes de efectuar cualquier intervención na máquina retirar o bloco acumulador.

Voor alle werkzaamheden aan de machine de akku verwijderen.

Ved arbejde inden i maskinen, bør batteriet tages ud.

Ta ut vekslebatteriet før du arbeider på maskinen

Drag ur batteripaket innan arbete utföres på maskinen.

Tarkista pistotulppa ja verkkojohto mahdollisilta vaurioilta. Viat saa korjata vain alan erikoismies.

Πριν από κάθε εργασία στη μηχανή αφαιρέστε την ανταλλακτική μπαταρία.

Aletin kendinde bir çalışma yapmadan önce kartuş aküyü çıkarın.

Před zahájením veškerých prací na vrtacím šroubováku vyjmout výměnný akumulátor.

Pred každou pracou na stroji výměnný akumulátor vytiahnuť.

Przed przystąpieniem do jakichkolwiek prac na elektronarzędziu należy wyjąć wkładkę akumulatorową.

Karbantartás, javítás, tisztítás, stb. előtt az akkumulátort ki kell venni a készülékből.

Pred deli na stroju izvlécite izmenljivi akumulator.

Prije svih radova na stroju izvaditi bateriju za zamjenu.

Pirms mašīnai veikt jebkāda veida apkopes darbus, ir jāizņem ārā akumulators.

Prieš atlikdami bet kokius darbus įrenginyje, išimkite keičiamą akumuliatorių.

Enne kõiki töid masina kallal võtke vahetavat aku välja.

Виньте аккумулятор из машины перед проведением с ней каких-либо манипуляций.

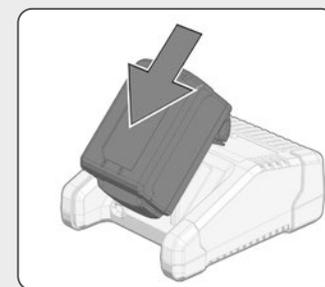
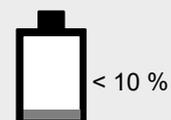
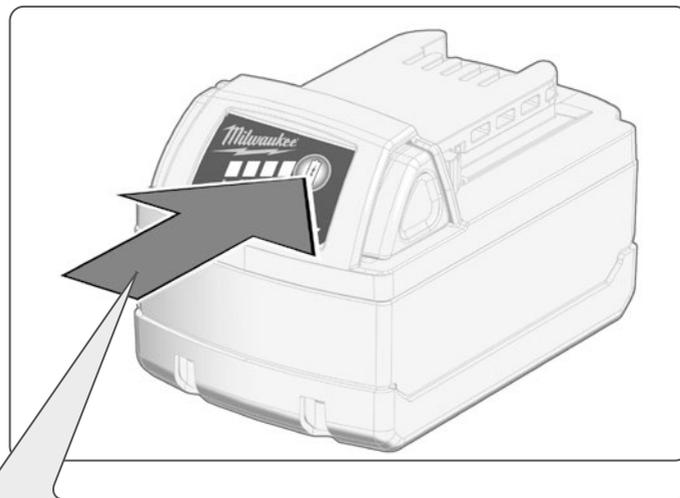
Преди започване на каквото е да е работи по машината извадете акумулатора.

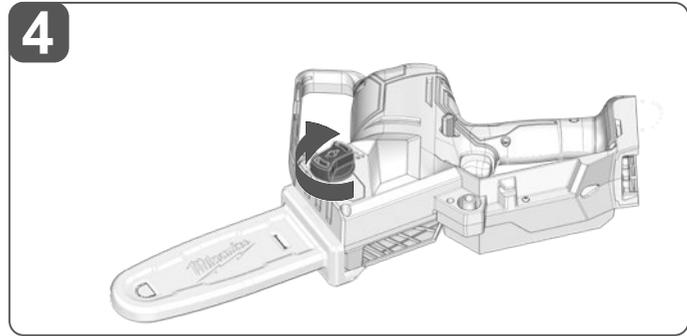
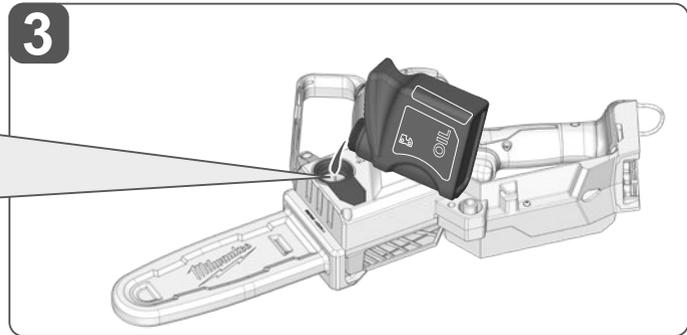
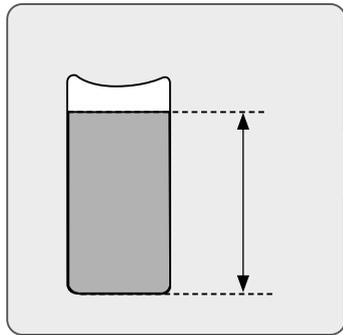
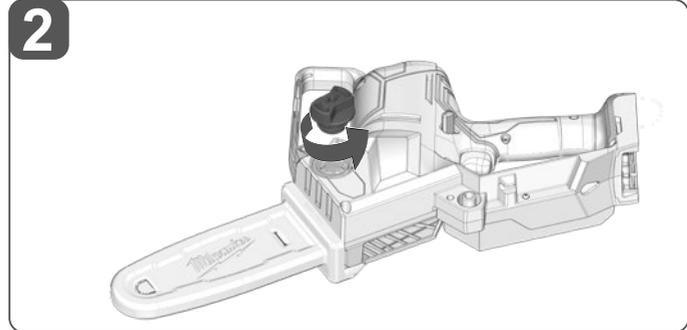
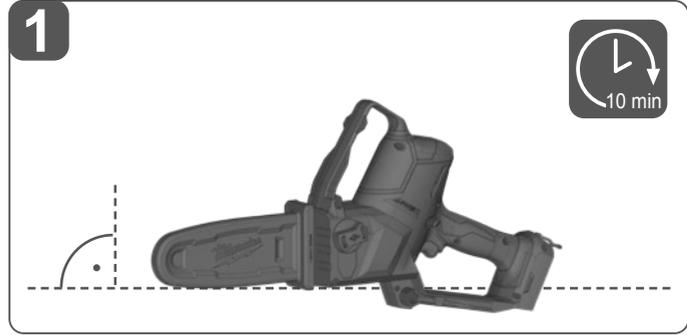
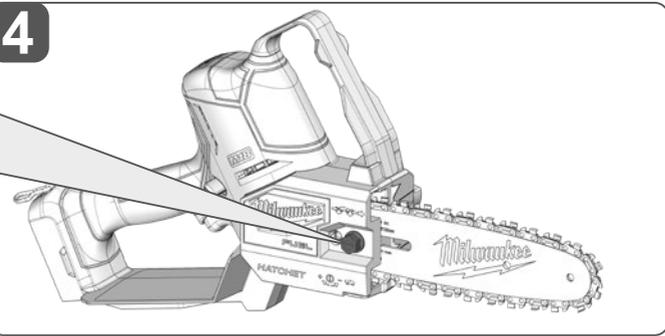
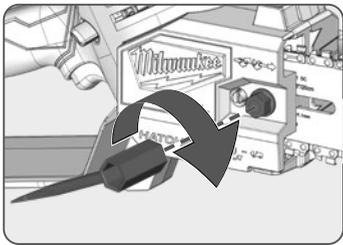
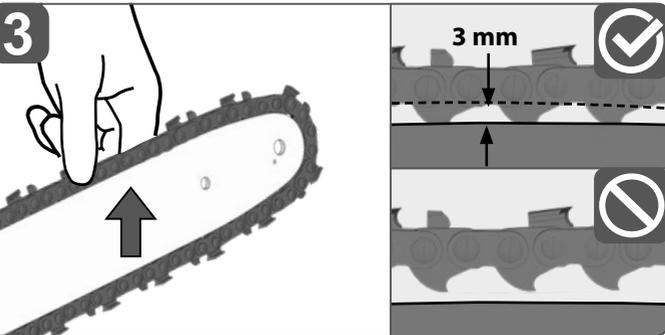
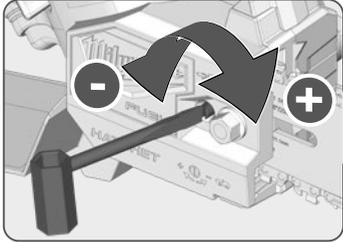
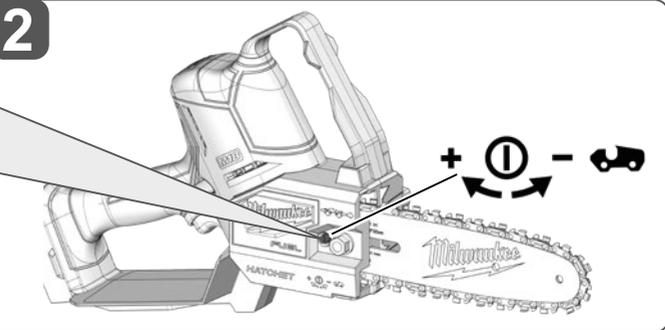
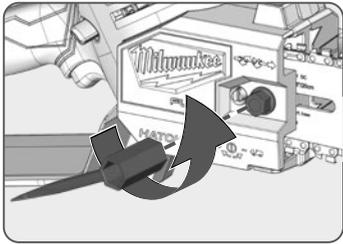
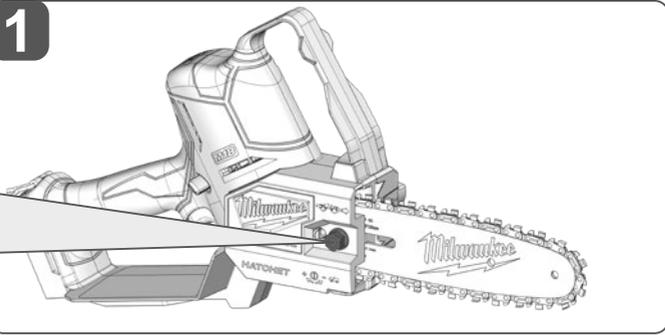
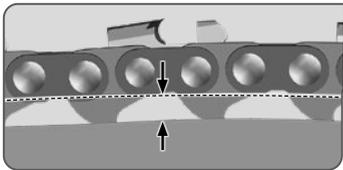
Scoateți acumulatorul înainte de a începe orice intervenție pe mașină.

Отстранете ја батеријата пред да започнете да ја користите машината.

Перед будь-якими роботами на машині винняти змінну акумуляторну батарею.

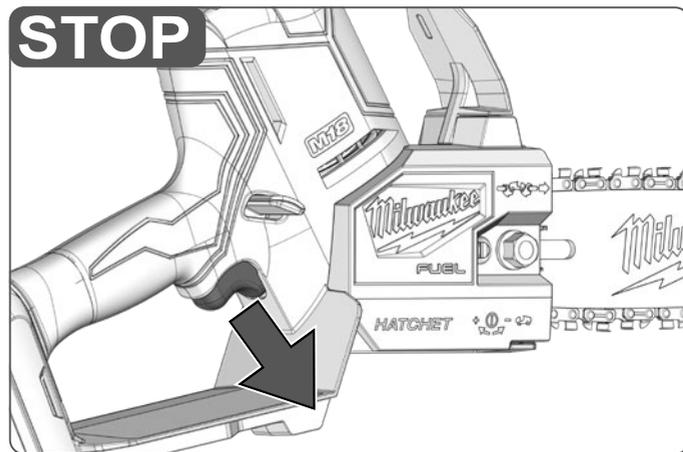
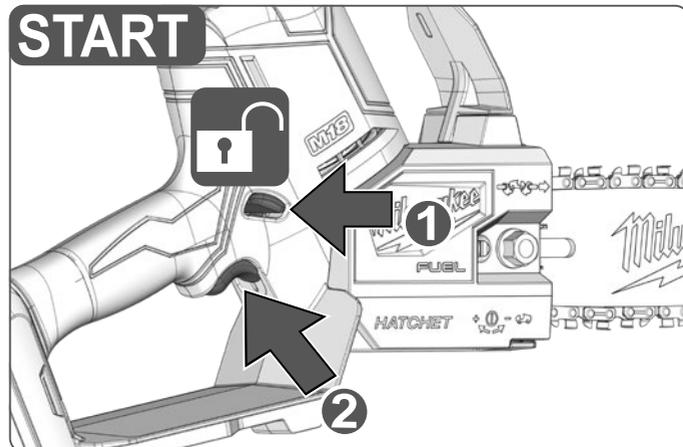
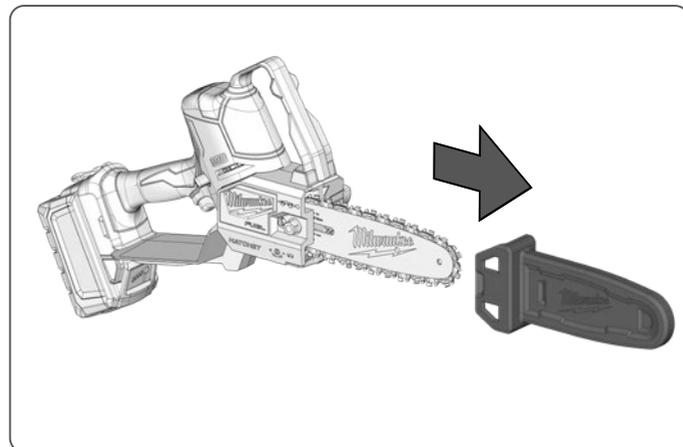
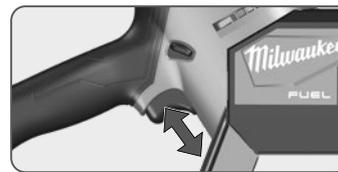
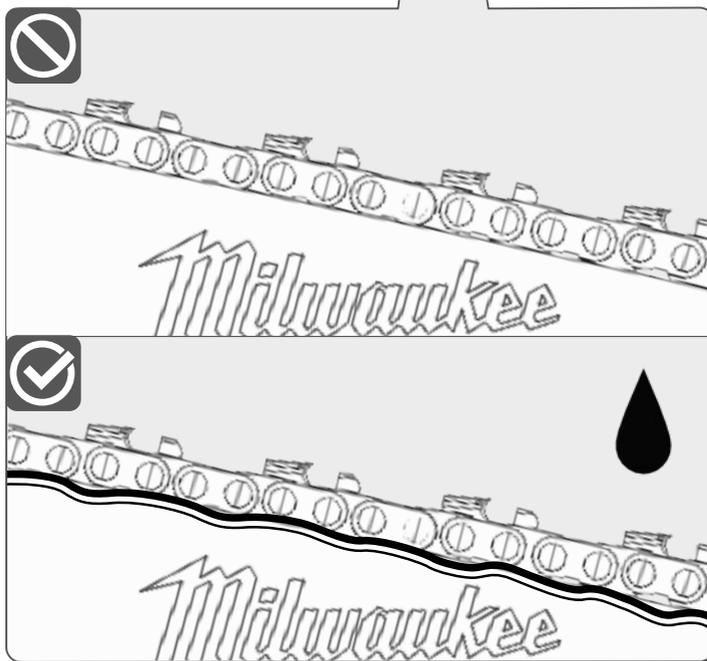
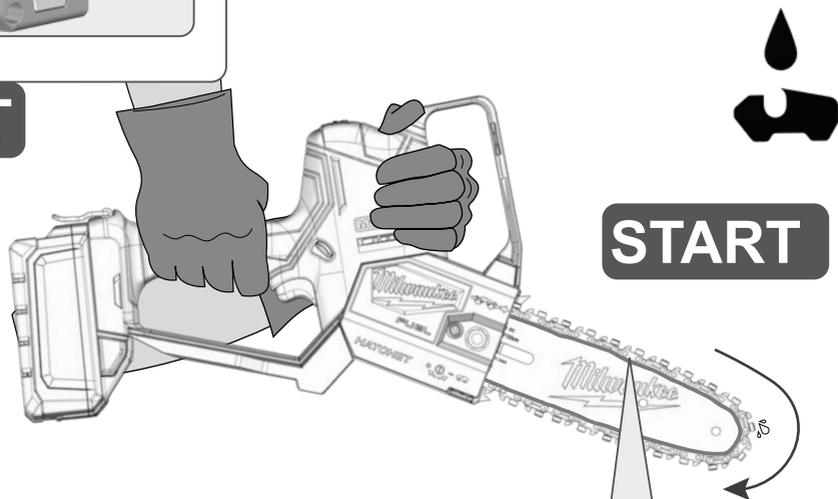
قم ب إزالة حزمة البطارية قبل البدء في أي أعمال على الجهاز.



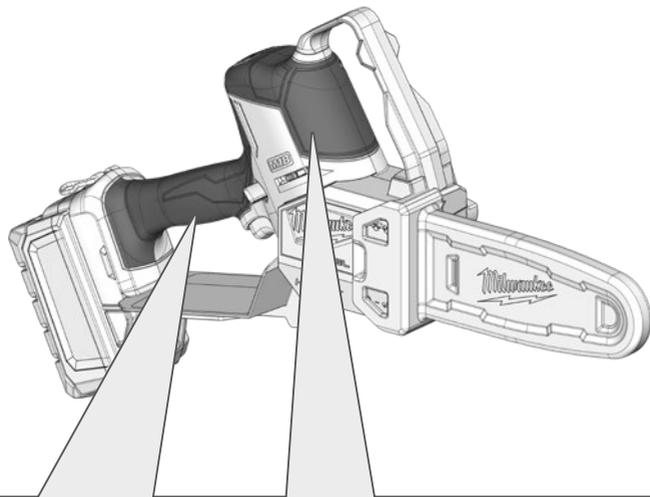
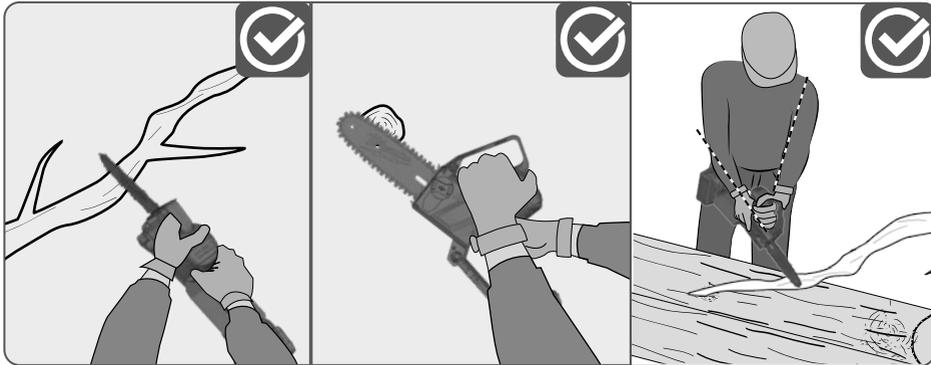




TEST



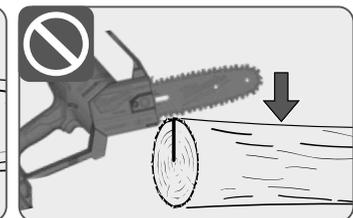
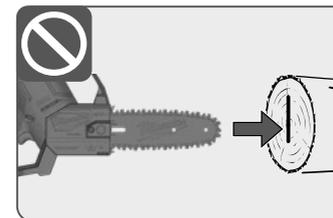
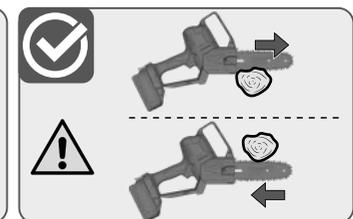
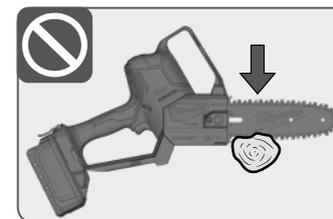
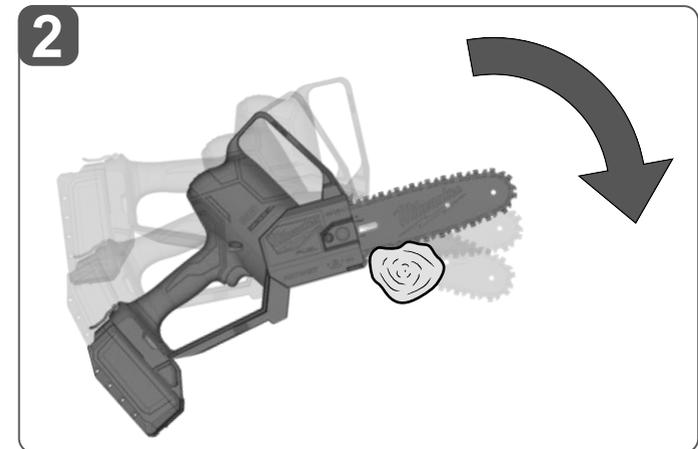
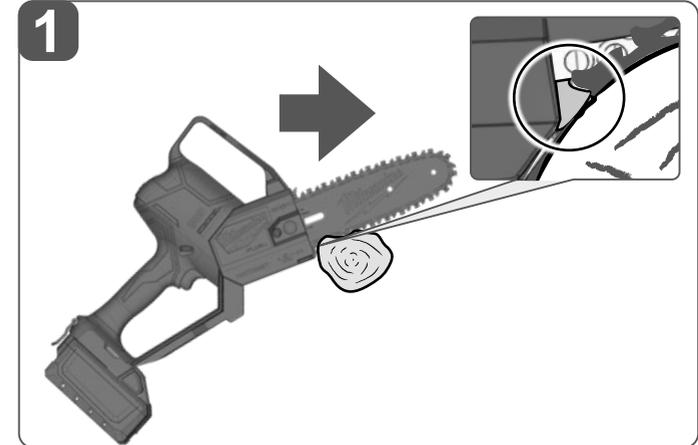
Carry out a test cut
 Probeschnitt durchführen
 Effectuer une coupe d'essai
 Effettuare un taglio di prova
 Efectuar corte de prueba
 Efectuar experiências de corte
 Proefsnede maken
 Foretages et prøvesnit
 Foreta prøvekutt
 Gör ett provsnitt!
 Πραγματοποιήστε μια δοκιμαστική τομή.
 Deneme kesmesi yapın
 Proved'te zkušební řez.
 Wykonaj próbe cięcia
 Végezzen teszvágást
 Opravite preizkusni rez!
 Izvesti probno rezanje
 Jāveic izmēģinājuma griezum!
 Atlikite bandomaji pjūvj!
 Teha proovilõige!
 Выполните пробный проход
 Направете пробно рязане!
 Efectuatți un test de tăiere
 Да се направи пробно сечение
 Виконати пробне різання
 إجراء اختبار القطع

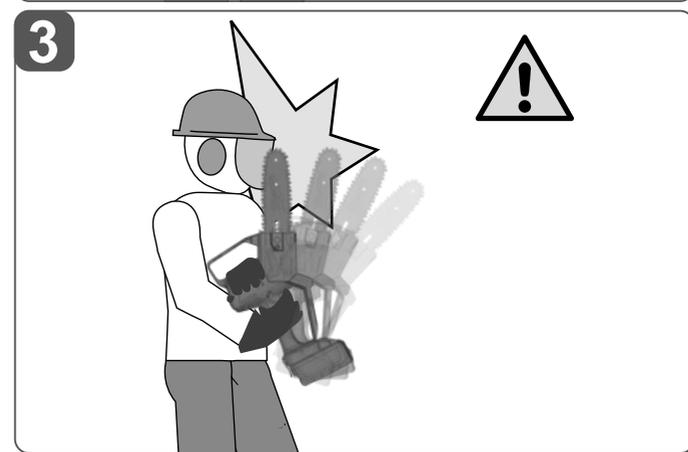
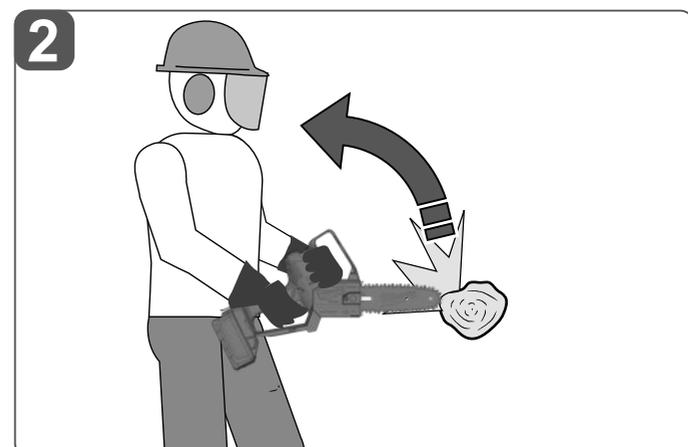
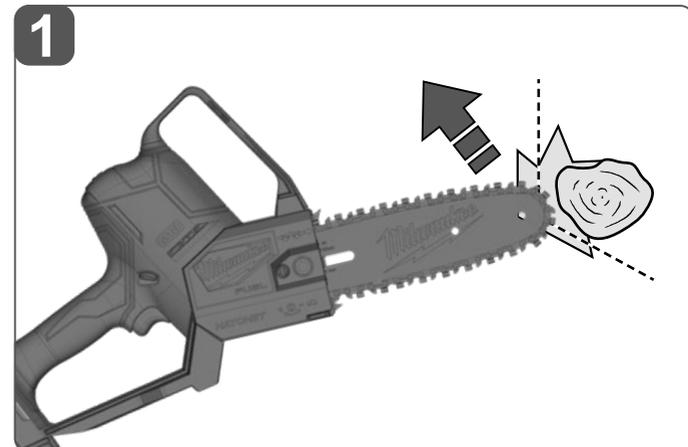
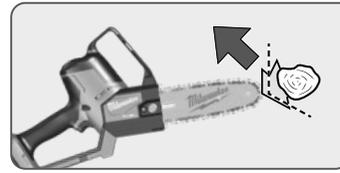
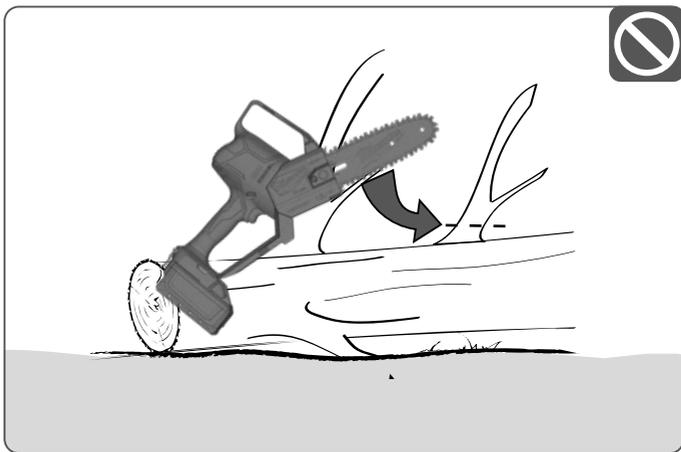
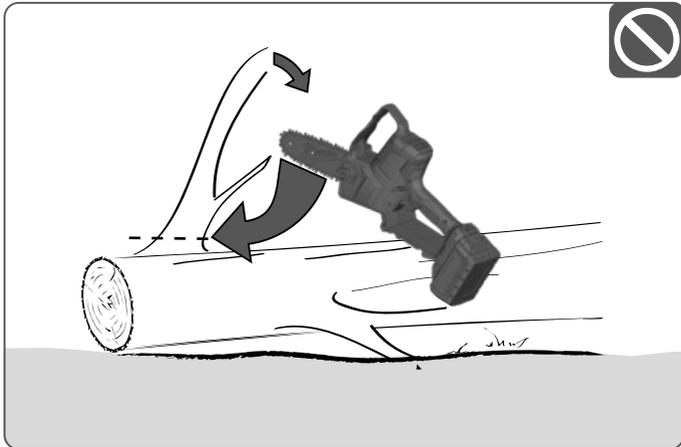
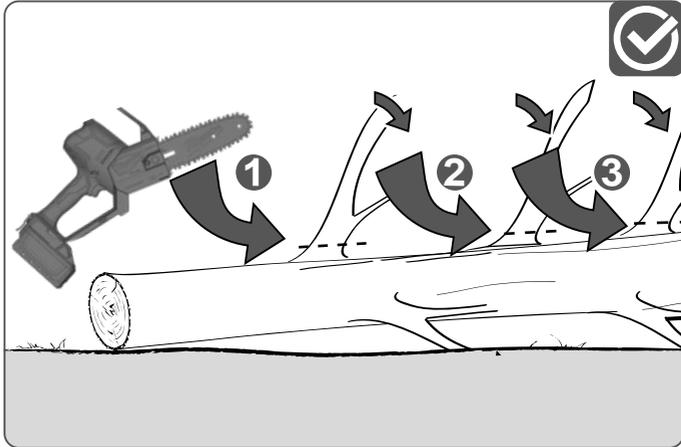
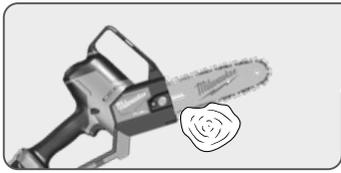


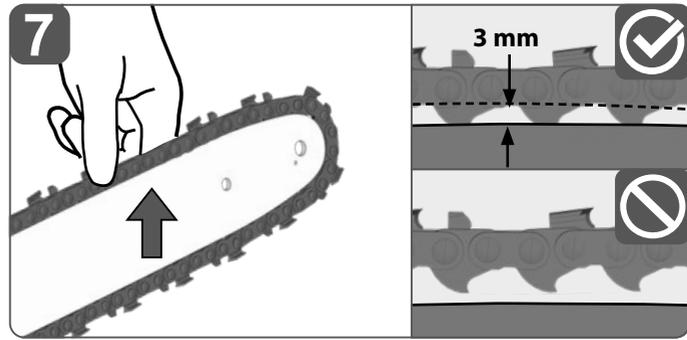
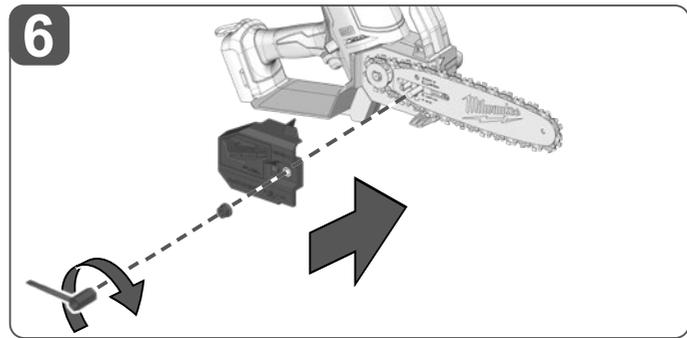
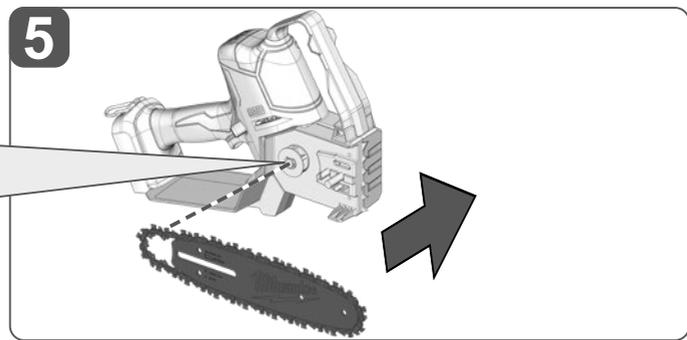
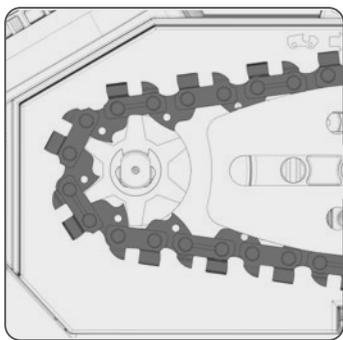
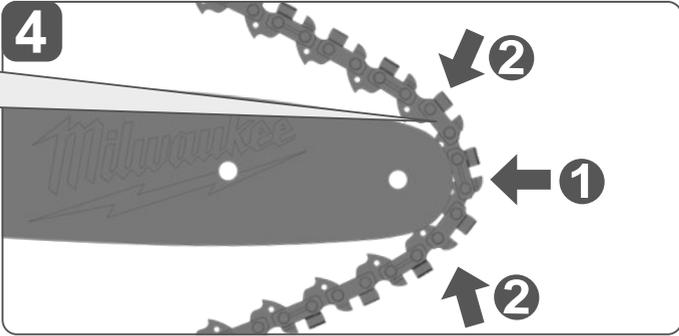
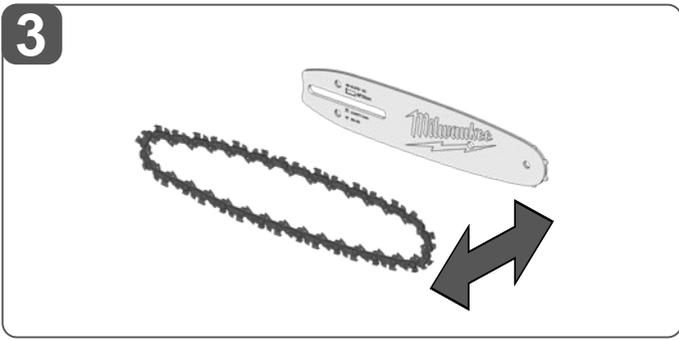
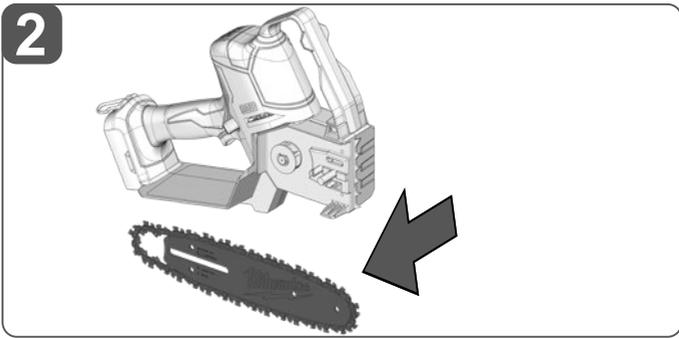
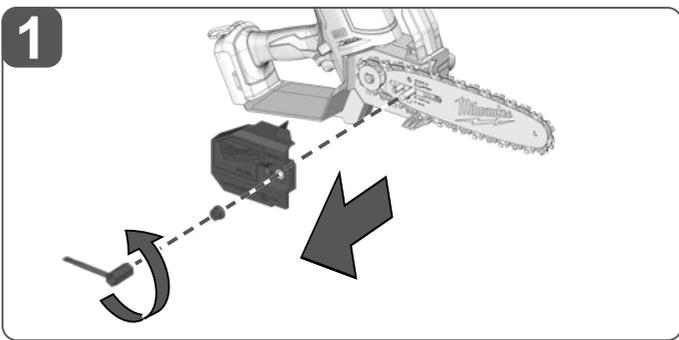
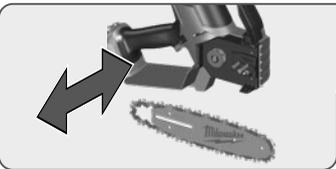
Insulated gripping surface
 Isolierte Grifffläche
 Surface de prise isolée
 Superficie di presa isolata
 Superficie de agarre con aislamiento
 Superfície de pega isolada
 Geïsoleerde handgrepen
 Isolerede gribeflader
 Isolert gripeflate
 Isolerad greppyta

Eristetty tarttumapinta
 Μονωμένη επιφάνεια λαβής
 İzolasyonlu tutma yüzeyi
 Izolovaná uchorovací plocha
 Izolovaná úchopná plocha
 Izolowana powierzchnia uchwytu
 Szigetelt fogófelület
 Izolirana prijemalna površina
 Izolirana površina za držanje
 Izolēta satveršanas virsma

Izoliuotas rankenos paviršius
 Isoleeritud pideme piirkond
 Изолированная поверхность ручки
 Изолирана повърхност за хващане
 Suprafață de prindere izolată
 Изолирана површина на дршката
 İzolovana površina ручки
 مساحة المقبض معزولة

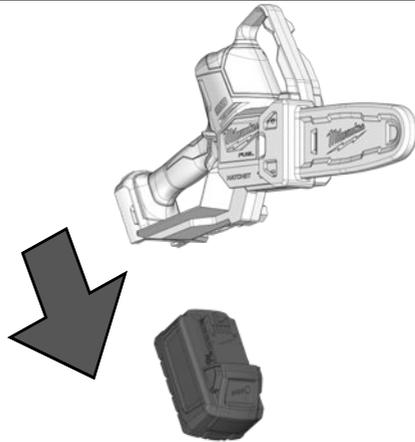




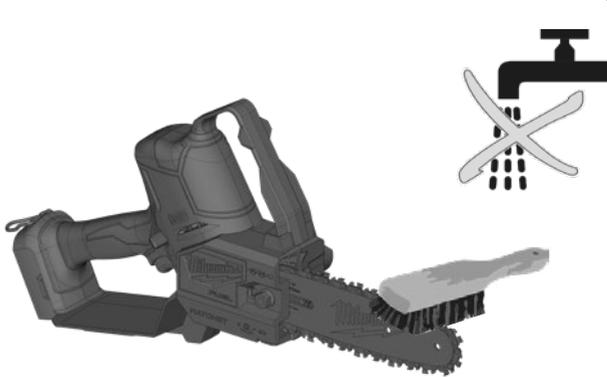




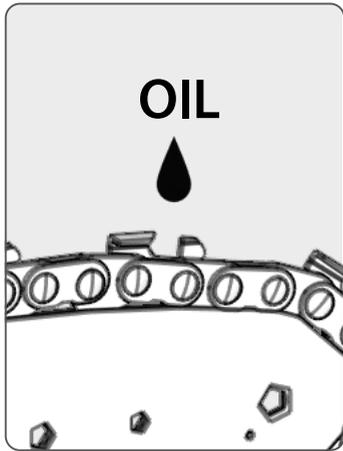
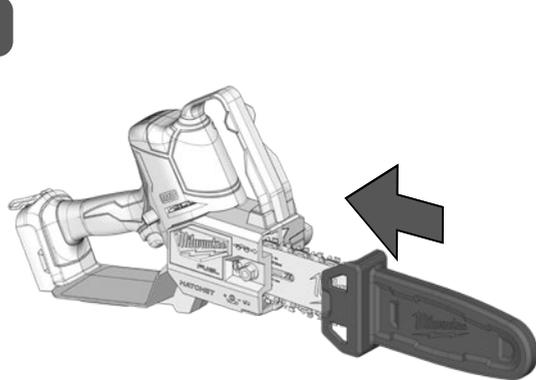
1



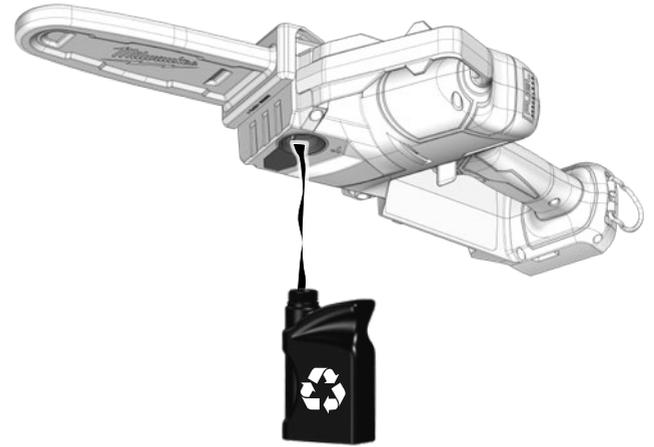
2



3

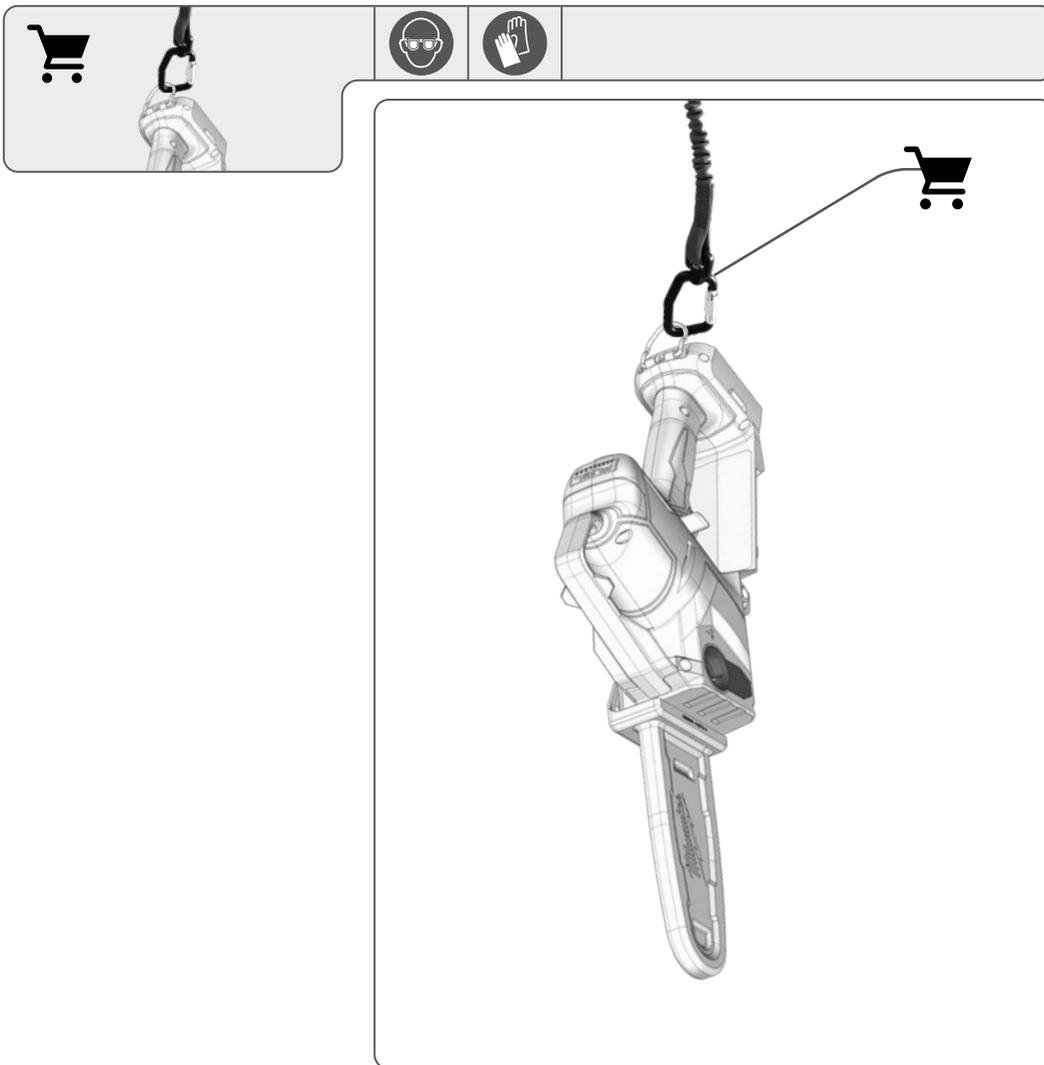


4



5





TECHNICAL DATA

M18 FHS20

Type	pruning saw
Production code	4916 50 01 XXXXXX MJJJ
Battery voltage	18 V \equiv
No-load chain speed	4,8 m/s
Bar length max.	8" / 200 mm
Usable cutting length	7,4" / 189 mm
Chain oil tank capacity	77 ml
Weight according EPTA-Procedure 01/2014 01/2014 (Li-Ion 2.0 Ah .. 12.0 Ah)	2,8 kg 3,9 kg
Recommended Ambient Operating Temperature	-18 ... +50 °
Recommended battery types	M18B...; M18HB...
Recommended charger	M12-18...; M1418C6

Noise information: Measured values determined according to EN 62841. Typically, the A-weighted noise levels of the tool are:

Sound pressure level / Uncertainty K=	81 dB (A) / 3 dB (A)
Sound power level / Uncertainty K=	89 dB (A) / 3 dB (A)

Wear ear protectors!

Vibration information: Vibration total values (triaxial vector sum) determined according to EN 62841

Vibration emission value a_h / Uncertainty K=	4,9 m/s ² / 1,5 m/s ²
---	---

WARNING!

The vibration and noise emission level given in this information sheet has been measured in accordance with a standardized test given in EN 62841 and may be used to compare one tool with another. It may be used for a preliminary assessment of exposure.

The declared vibration and noise emission level represents the main applications of the tool. However if the tool is used for different applications, with different accessories or poorly maintained, the vibration and noise emission may differ. This may significantly increase the exposure level over the total working period.

An estimation of the level of exposure to vibration and noise should also take into account the times when the tool is switched off or when it is running but not actually doing the job. This may significantly reduce the exposure level over the total working period.

Identify additional safety measures to protect the operator from the effects of vibration and/or noise such as: maintain the tool and the accessories, keep the hands warm, organization of work patterns.

Wear ear protectors. Exposure to noise can cause hearing loss.

WARNING! Read all safety warnings, instructions, illustrations and specifications provided with this power tool. Failure to follow all instructions listed below may result in electric shock, fire and/or serious injury.
Save all warnings and instructions for future reference.

GENERAL PRUNING SAW SAFETY WARNINGS

- Keep all parts of the body away from the saw chain when the pruning saw is operating. Before you start the pruning saw, make sure the saw chain is not contacting anything.** A moment of inattention while operating pruning saws may cause entanglement of your clothing or body with the saw chain.
- Always hold the pruning saw with your right hand on the rear handle and your left hand on the front handle.** Holding the pruning saw with a reversed hand configuration increases the risk of personal injury and should never be done.
- Hold the pruning saw by insulated gripping surfaces only, because the saw chain may contact hidden wiring.** Saw chains contacting a "live" wire may make exposed metal parts of the pruning saw "live" and could give the operator an electric shock.
- Wear eye protection. Further protective equipment for hearing, head, hands, legs and feet is recommended.** Adequate protective equipment will reduce personal injury from flying debris or accidental contact with the saw chain.
- Do not operate a pruning saw in a tree, on a ladder, from a rooftop, or any unstable support.** Operation of a pruning saw in this manner could result in serious personal injury.
- Always keep proper footing and operate the pruning saw only when standing on fixed, secure and level surface.** Slippery or unstable surfaces may cause a loss of balance or control of the pruning saw.
- When cutting a limb that is under tension, be alert for spring back.** When the tension in the wood fibres is released the spring loaded limb may strike the operator and /or throw the pruning saw out of control.

h) Use extreme caution when cutting brush and saplings. The slender material may catch the saw chain and be whipped toward you or pull you off balance.

i) Carry the pruning saw by the front handle with the pruning saw switched off and away from your body. When transporting or storing the pruning saw, always fit the guide bar cover. Proper handling of the pruning saw will reduce the likelihood of accidental contact with the moving saw chain.

j) Follow instructions for lubricating, chain tensioning and changing the bar and chain. Improperly tensioned or lubricated chain may either break or increase the chance for kickback.

k) Keep handles dry, clean, and free from oil and grease. Greasy, oily handles are slippery causing loss of control.

l) Cut wood only. Do not use pruning saw for purposes not intended. For example: do not use pruning saw for cutting metal, plastic, masonry or non-wood building materials. Use of the pruning saw for operations different than intended could result in a hazardous situation.

Follow all instructions when clearing jammed material, storing or servicing the pruning saw. Make sure the switch is off and the battery pack is removed. Unexpected actuation of the pruning saw while clearing jammed material or servicing may result in serious personal injury.

Causes and operator prevention of kickback:

Kickback may occur when the nose or tip of the guide bar touches an object, or when the wood closes in and pinches the saw chain in the cut.

Tip contact in some cases may cause a sudden reverse reaction, kicking the guide bar up and back towards the operator.

Pinching the saw chain along the top of the guide bar may push the guide bar rapidly back towards the operator.

Either of these reactions may cause you to lose control of the saw which could result in serious personal injury. Do not rely exclusively upon the safety devices built into your saw.

As a pruning saw user, you should take several steps to keep your cutting jobs free from accident or injury.

Kickback is the result of pruning saw misuse and/or incorrect operating procedures or conditions and can be avoided by taking proper precautions as given below:

- Maintain a firm grip, with thumbs and fingers encircling the pruning saw handles, with both hands on the saw and position your body and arm to allow you to resist kickback forces.** Kickback forces can be controlled by the operator, if proper precautions are taken. Do not let go of the pruning saw.
- Do not overreach and do not cut above shoulder height.** This helps prevent unintended tip contact and enables better control of the pruning saw in unexpected situations.
- Only use replacement guide bars and chains specified by the manufacturer.** Incorrect replacement guide bars and chains may cause chain breakage and/or kickback.
- Follow the manufacturer's sharpening and maintenance instructions for the saw chain.** Decreasing the depth gauge height can lead to increased kickback.

ADDITIONAL SAFETY AND WORKING INSTRUCTIONS

It is recommended to cut logs on a saw-horse or cradle when operating the machine for the first time.

Tethering

Tethering with energy absorbing lanyards only. Only attach the tether to lanyard loop.

Do not attach the tether to handle, guide bar cover, or any other point on the tool.

Ensure all guards, handles, and spiked bumper are properly fitted and are in good condition.

Persons using the pruning saw should be in good health. The pruning saw is heavy, so the operator must be physically fit.

The operator should be alert, have a good vision, mobility, balance, and manual dexterity. If there is any doubt, do not operate the pruning saw.

Do not start using the pruning saw until you have a clear work area, secure footing, and a planned retreat path away from a falling tree. Beware of the emission of lubricant mist and saw dust. Wear a mask or respirator, if required.

Do not cut vines and/or small undergrowth.

Always hold the pruning saw with both hands during operation. Use a firm grip with thumbs and fingers encircling the pruning saw handles. Right hand must be on the rear handle and left hand on the front handle.

Before starting the pruning saw, make sure the saw chain is not contacting any object.

Do not modify the pruning saw in any way or use it to power any attachments or devices not recommended by the manufacturer for your pruning saw.

There should be a first-aid kit containing large wound dressings and a means to summon attention (e.g., whistle) close to the operator. A larger more comprehensive kit should be reasonably nearby.

An incorrectly tensioned chain can jump off the guide bar and could result in serious injury or fatality. The length of the chain depends on the temperature. Check the tension frequently.

You should get used to your new pruning saw by making simple cuts on securely supported wood. Do this whenever you have not operated the saw for some time. To reduce the risk of injury associated with contacting moving parts, always stop the motor, remove the battery pack and make sure all moving parts have come to a stop before:

- cleaning or clearing a blockage
- leaving the machine unattended
- installing or removing attachments
- checking, conducting maintenance or working on the machine

The size of the work area depends on the job being performed as well as the size of the tree or work piece involved. For example, felling a tree requires a larger work area than making other cuts, i.e., bucking cuts, etc. The operator needs to be aware and in control of everything happening in the work area.

Do not cut with your body in line with the guide bar and chain. If you experience kickback, this will help prevent the chain coming into contact with your head or body.

Do not use a back-and-forward sawing motion, let the chain do the work. Keep the chain sharp and do not try to push the chain through the cut.

Do not put pressure on the saw at the end of the cut. Be ready to take on the weight of the saw as it cuts free from the wood. Failure to do so could result in possible serious personal injury.

Do not stop the saw in the middle of a cutting operation.

Keep the saw running until it is already removed from the cut. Do not fix the on/off switch in the "on" position when using the saw hand-held.

Remove the battery pack before starting any work on the appliance.

WARNING! To reduce the risk of fire, personal injury, and product damage due to a short circuit, never immerse your tool, battery pack or charger in fluid or allow a fluid to flow inside them. Corrosive or conductive fluids, such as seawater, certain industrial chemicals, and bleach or bleach containing products, etc., can cause a short circuit.

Use only System M18 chargers for charging System M18 battery packs. Do not use battery packs from other systems.

Never break open battery packs and chargers and store only in dry rooms. Keep dry at all times.

Push and pull

The reaction force is always opposite to the direction the chain is moving. Thus, the operator must be ready to control the tendency for the machine to pull away (forward motion) when cutting on the bottom edge of the bar and the push backwards (towards the operator) when cutting along the top edge.

Saw jammed in the cut

Stop the pruning saw and make it safe. Do not try to force the chain and bar out of the cut as this is likely to break the chain, which may swing back and strike the operator. This situation normally occurs because the wood is incorrectly supported which forces the cut to close under compression, thereby pinching the blade. If adjusting the support does not release the bar and chain, use wooden wedges or a lever to open the cut and release the saw. Never try to start the pruning saw when the guide bar is already in a cut or kerf.

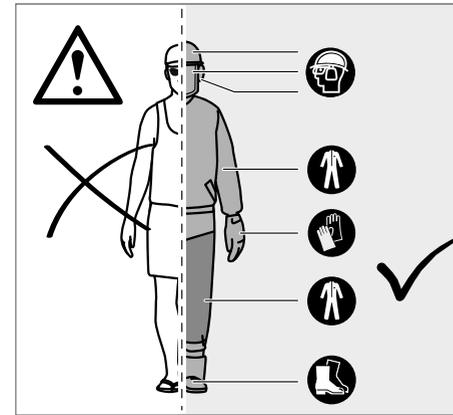
Skating / Bouncing

When the pruning saw fails to dig in during a cut, the guide bar can begin hopping or dangerously skidding along the surface of the log or branch, possibly resulting in the loss of control of the pruning saw. To prevent or reduce skating or bouncing, always use the saw with both hands make sure the saw chain establishes a groove for cutting. Never cut small, flexible branches or brush with your pruning saw. Their size and flexibility can easily cause the saw to bounce towards you or bind up with enough force to cause a kickback. The best tool for that kind of work is a hand saw, pruning shears, an axe or other hand tools.

Personal protective equipment

Wear a helmet at all times when operating the machine. A helmet, equipped with mesh visor, can help reduce the risk of injury to the face and the head if kickback occurs. Wear ear protectors!

Good quality personal protective equipment, as used by professionals, will help reduce the risk of injury to the operator. The following items should be used when operating the machine:



Safety helmet

should comply with EN 397 and be CE marked

Hearing protection

should comply with EN 352-1 and be CE marked

Eye and face protection

should be CE marked and comply with EN 166 (for safety glasses) or EN 1731 (for mesh visors)

Gloves

should comply with EN381-7 and be CE marked

Leg protection (chaps)

should comply with EN 381-5, be CE marked and provide allround protection should comply with EN 381-5, be CE marked and provide allround protection

Pruning saw safety boots

should comply with EN ISO 20345:2004 and be marked with a shield depicting a pruning saw to show compliance with EN 381-3. (Occasional users may use steel toe-cap safety boots with protective gaiters which conform to EN 381-9 if the ground is even and there is little risk of tripping or catching on undergrowth)

Pruning saw jackets for upper body protection

should comply with EN 381-11 and be CE marked

KNOW YOUR PRUNING SAW

- | | |
|-----------------------|-------------------------|
| 1 Front handle | 11 Spiked Bumper |
| 2 Front Hand Guard | 12 Saw Chain |
| 3 Lock-Off Device | 13 Guide Bar |
| 4 Power switch | 14 Bar Groove |
| 5 Rear Handle | 15 Chain Drive |
| 6 Chain Lubricant Cap | 16 Drive Sprocket Cover |
| 7 Chain Oil Tank | 17 Chain Tension Screw |
| 8 Rear Hand Guard | 18 Bar mounting nut |
| 9 Combination Wrench | 19 Guide Bar Cover |
| 10 Battery | |

WARNING!

Consequences of improper maintenance, removal or modification of safety features, ignition switch, hand guard (front and back), spiked bumper, chain catcher, guide bar, low kick-back saw chain may cause the safety features to not function correctly, thus increasing the potential for serious injury.

Spiked Bumper

The integral bumper spike may be used as a pivot when making a cut. It helps to keep the body of the pruning saw steady while cutting. When cutting, push the machine forward until the spikes dig into the edge of the wood, then by moving the rear handle up or down in the direction of the cutting line it can help ease the physical strain of cutting.

Guide Bar

Generally, guide bars with small radius tips have somewhat lower potential for kick-back. You should use a guide bar and matching chain which is just long enough for the job. Longer bars increase the risk of loss of control during sawing. Regularly check the chain tension. When cutting smaller branches (less than the full length of the guide bar) the chain is more likely to be thrown off if the tension is not correct.

INSTRUCTIONS CONCERNING THE PROPER TECHNIQUES FOR BASIC FELLING, LIMBING AND CROSS-CUTTING

Understanding the forces within the wood

When you understand the directional pressures and stresses inside the wood you can reduce the "pinches" or at least expect them during your cutting. Tension in the wood means the fibers are being pulled apart and if you cut in this area, the "kerf" or cut will tend to open as the saw goes through. If a log is being supported on a saw horse and the end is hanging unsupported over the end, tension is created on the upper surface due to the weight of the overhanging log stretching the fibers. Likewise, the underside of the log will be in compression and the fibers are being pushed together. If a cut is made in this area, the kerf will have the tendency to close up during the cut. This would pinch the blade.

Limbing a tree

Limbing is removing the branches from a fallen tree. When limbing, leave larger lower limbs to support the log off the ground. Remove the small limbs in one cut. Branches under tension should be cut from the bottom up to avoid binding the pruning saw.

Cutting springpoles

A springpole is any log, branch, rooted stump, or sapling which is bent under tension by other wood so that it springs back if the wood holding it is cut or removed.

On a fallen tree, a rooted stump has a high potential of springing back to the upright position during the bucking cut to separate the log from the stump. Watch out for springpoles, they are dangerous.

WARNING! Springpoles are dangerous and could strike the operator, causing the operator to lose control of the pruning saw. This could result in severe or fatal injury to the operator. This should be done by trained users.

SPECIFIED CONDITIONS OF USE

The cordless pruning saw is only intended for use outdoors.

For safety reasons, the pruning saw must be adequately controlled by using two-handed operation at all times.

The pruning saw is designed for cutting branches, trunks, logs, and beams of a diameter determined by the cutting length of the guide bar. It is only designed to cut wood. It is only to be used by adults who have received adequate training on the hazards and preventative measures/actions to be taken while using the pruning saw.

Do not use the pruning saw for any purpose not listed in the specified conditions of use. It is not to be used for professional tree services. The pruning saw is not to be used by children or by persons not wearing adequate personal protective equipment and clothing.

⚠ WARNING! When using the pruning saw, the safety rules must be followed. For your own safety and that of bystanders, you must read and fully understand these instructions before operating the pruning saw. You should attend a professionally organized safety course in the use, preventative actions, first-aid, and maintenance of pruning saws. Please keep these instructions safe for later use.

⚠ WARNING! Pruning saws are potentially dangerous tools. Accidents involving the use of pruning saws often result in loss of limbs or death. It is not just the pruning saw that is the hazard. Falling branches, toppling trees, and rolling logs can all kill. Diseased or rotting timber poses additional hazards. You should assess your capability of completing the task safely. If there is any doubt, leave it to a professional tree surgeon.

Do not use this product in any other way as stated for normal use.

RESIDUAL RISK

Even when the product is used as prescribed, it is still impossible to completely eliminate certain residual risk factors. The following hazards may arise in use and the operator should pay special attention to avoid the following:

- Injury caused by vibration
Always use the right tool for the job. Use designated handles. Restrict working time and exposure.
- Damage to hearing due to exposure to noise
Wear hearing protection and limit exposure.
- Injury caused by contact with exposed saw teeth of the chain
- Injury caused by thrown-out pieces of the workpiece (wood chips, splinters)
- Injury caused by dust and particles
- Injury to the skin caused by contact with lubricants
- Parts ejected from the saw chain (cutting/injection hazards)
- Unforeseen, abrupt movement, or kickback of the guide bar (cutting hazards)

RISK REDUCTION

- It has been reported that vibrations from handheld tools may contribute to a condition called Raynaud's Syndrome in certain individuals. Symptoms may include tingling, numbness, and blanching of the fingers, usually apparent upon exposure to cold. Hereditary factors, exposure to cold and dampness, diet, smoking and work practices are all thought to contribute to the development of these symptoms. There are measures that can be taken by the operator to possibly reduce the effects of vibration:
- Keep your body warm in cold weather. When operating the unit wear gloves to keep the hands and wrists warm.
- After each period of operation, exercise to increase blood circulation.
- Take frequent work breaks. Limit the amount of exposure per day.
- Protective gloves available from professional pruning saw retailers are designed specifically for pruning saw use which give protection, good grip and also reduce the effect of handle vibration. These gloves should comply with EN 381-7 and must be CE marked.

If you experience any of the symptoms of this condition, immediately discontinue use and see your doctor.

⚠ WARNING! Injuries may be caused, or aggravated, by prolonged use of a tool. When using any tool for prolonged periods, ensure you take regular breaks.

NOTES FOR LI-ION BATTERIES

Use of Li-Ion batteries

Battery packs which have not been used for some time should be recharged before use.

Temperatures in excess of 50°C (122°F) reduce the performance of the battery pack. Avoid extended exposure to heat or sunshine (risk of overheating).

The contacts of chargers and battery packs must be kept clean.

For an optimum life-time, the battery packs have to be fully charged, after use.

To obtain the longest possible battery life remove the battery pack from the charger once it is fully charged.

For battery pack storage longer than 30 days:

Store the battery pack where the temperature is below 27°C and away from moisture

Store the battery packs in a 30% - 50% charged condition

Every six months of storage, charge the pack as normal.

Battery protection for Li-Ion batteries

In extremely high torque, binding, stalling and short circuit situations that cause high current draw, the tool will vibrate for about 5 seconds, the fuel gauge will flash, and then the tool will turn OFF.

To reset, release the trigger. Under extreme circumstances, the internal temperature of the battery pack could raise too much. If this happens, the fuel gauge will flash until the battery pack cooled down. After the lights go off, the work may continue.

Transporting Lithium Batteries

Lithium-ion batteries are subject to the Dangerous Goods Legislation requirements.

Transportation of those batteries has to be done in accordance with local, national and international provisions and regulations.

The user can transport the batteries by road without further requirements.

Commercial transport of Lithium-Ion batteries by third parties is subject to Dangerous Goods regulations. Transport preparation and transport are exclusively to be carried out by appropriately trained persons and the process has to be accompanied by corresponding experts.

When transporting batteries:

Ensure that battery contact terminals are protected and insulated to prevent short circuit.

Ensure that battery pack is secured against movement within packaging. Do not transport batteries that are cracked or leak. Check with forwarding company for further advice.

WORKING INSTRUCTIONS

ASSEMBLY

Assembling saw chain and guide bar

⚠ WARNING! If any parts are damaged or missing do not operate the machine until the parts are replaced. Failure to heed this warning could result in serious personal injury.

Make sure to remove the battery. Wear gloves!

1. Remove the bar mounting nuts using the combination wrench provided.
2. Remove the drive sprocket cover.
3. Put the chain in the correct direction onto the bar and make sure that the drive links are aligned in the bar groove.
4. Attach the bar to the pruning saw and loop the chain around the drive sprocket.
5. Replace the drive sprocket cover and bar mounting nuts.
6. Finger-tighten the bar mounting nuts. The bar must be free to move for chain tension adjustment.
7. Adjust the chain tension. Refer to the "Adjusting chain tension" section.
8. Hold the tip of the guide bar up and tighten the bar mounting nuts securely.

⚠ WARNING! The saw chain is sharp. Always wear protective gloves when performing maintenance to the chain.

Adjusting the chain tension

Remove the battery pack before you do any work on the pruning saw.

To increase the chain tension, turn the chain tensioning screw clockwise and check the chain tension frequently. To reduce the chain tension, turn the chain tensioning screw counterclockwise and check the chain tension frequently.

The chain tension is correct when the gap between the cutter in the chain and the bar is about 6,8 mm. Pull the chain in the middle of the lower side of the bar downwards (away from the bar) and measure the distance between the bar and the chain cutters. Tighten the bar mounting nuts by turning it counter clockwise.

Note: Do not over-tension the chain - excess tension will cause excessive wear and will reduce the life of the chain and could damage the bar. New chains could stretch and loosen during initial use. Remove battery pack and check chain tension frequently during the first two hours of use. The temperature of the chain increases during normal operation causing the chain to stretch. Check the chain tension frequently and adjust as required. A chain tensioned while warm may be too tight upon cooling. Make sure that the chain tension is correctly adjusted as specified in these instructions.

Adding the chain lubricating oil

⚠ WARNING! Never work without chain lubricant. If the saw chain is running without lubricant, the guide bar and the saw chain can be damaged. It is essential to frequently check the oil level in the oil level gauge and before starting to use the pruning saw. Keep the reservoir more than ¼ full to ensure sufficient oil is available for the job.

Note: It is recommended to use a vegetable based chain oil when pruning trees. Mineral oil may harm trees. Never use waste oil automotive oil, or very thick oils. These could damage the pruning saw. Clear surface around the oil cap to prevent contamination.

1. Unscrew and remove the cap from the oil tank.
2. Pour the oil into the oil tank and monitor the oil level gauge.
3. Put the oil cap back on and tighten it up. Wipe away any spillage.

Holding the pruning saw

Always hold the pruning saw with your right hand on the rear handle and your left hand on the front handle. Grip both handles with the thumbs and fingers encircling the handles.

Starting the pruning saw

Before starting the pruning saw, you should install the battery pack in the pruning saw.

Restart protection

The power tool is supplied with a restart protection.

This prevents the switched-on power tool from starting by itself when the battery pack is inserted and from restarting after a switch-off function of the battery pack.

If the guide bar is outside of the wood switch off the machine and switch it back on again in order to continue to work.

If the guide bar is inside of the wood wait until the saw chain comes to a complete stop. Make sure that the switch is in the off position. Remove the battery pack from the machine and the guide bar from the cut. Insert the battery pack and then switch the machine back on again, in order to continue to work.

TRANSPORTATION AND STORAGE

Always lightly oil the chain when storing to prevent rust. Always empty the oil tank when storing to prevent leakage.

Stop the machine, remove the battery, and allow it to cool before storing or transporting.

Clean all foreign materials from the machine. Store the machine in a cool, dry, and well-ventilated place that is inaccessible to children. Keep away from corrosive agents, such as garden chemicals and de-icing salts. Do not store outdoors.

Fit the guide bar cover before storing the machine or during transportation.

For transportation in vehicles, secure the machine against movement or falling to prevent injury to persons or damage to the machine.

CLEANING

Clean dust and debris from openings. Keep handle clean, dry and free of oil or grease. Use only mild soap and a damp cloth to clean, since certain cleaning agents and solvents are harmful to plastics and other insulated parts. Some of these include gasoline, turpentine, lacquer thinner, paint thinner, chlorinated cleaning

solvents, ammonia and household detergents containing ammonia. Never use flammable or combustible solvents around tools.

MAINTENANCE

⚠ WARNING! Use only Milwaukee accessories and Milwaukee spare parts. Failure to do so can cause possible injury, contribute to poor performance, and may void your warranty.

Use only Milwaukee accessories and Milwaukee spare parts. Should components need to be replaced which have not been described, please contact one of our Milwaukee service agents (see our list of guarantee/service addresses).

⚠ WARNING! Servicing requires extreme care and knowledge and should be performed only by a qualified service technician. For service, we suggest you bring the machine to your nearest MILWAUKEE service station for repair. When servicing, use only identical replacement parts.

⚠ WARNING! Remove the battery before adjustment, maintenance or cleaning. Failure to do so could result in serious personal injury. You may only make adjustments or repairs described in this manual. For other repairs, contact the authorised service agent.

Consequences of improper maintenance may cause the chain brake and other safety features to not function correctly, thus increasing the potential for serious injury.

Keep your pruning saw professionally maintained and safe.

• Sharpening the chain safely is a skilled task. Therefore, the manufacturer strongly recommends that a worn or dull chain is replaced with a new one, available at your MILWAUKEE service agent. The part number is available in the product specification table in this manual.

Follow instructions for lubricating and chain tension checking and adjustment.

After each use, clean the machine with a soft dry cloth.

Remove any chips, dirt and debris in the battery bay.

Check all nuts, bolts, and screws at frequent intervals for security to ensure the machine is in safe working condition. Any part that is damaged should be properly repaired or replaced by an MILWAUKEE service station.

Replacing the guide bar and saw chain

Wear protective gloves.

1. Remove the battery pack
2. Remove the guide bar cover
3. Remove the bar mounting nuts using the combination wrench provided.
4. Remove the drive sprocket cover.
5. Reduce the tension of the saw chain. See the section "Adjusting the chain tension".
6. Remove the old chain with the guide bar
7. Put the new chain in the correct direction onto the bar and make sure that the drive links are aligned in the bar groove.
8. Attach the bar to the pruning saw and loop the chain around the drive sprocket.
9. Replace the drive sprocket cover and bar mounting nut.
10. Finger-tighten the bar mounting nut.
11. The bar must be free to move for chain tension adjustment.
12. Adjust the chain tension. Refer to the "Adjusting chain tension" section.
13. Hold the tip of the guide bar up and tighten the bar mounting nuts securely.

⚠ WARNING! A dull or improperly sharpened chain can cause excessive motor speed during cutting which may result in severe motor damage.

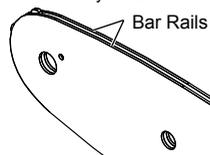
⚠ WARNING! Improper chain sharpening increases the potential of kickback.

⚠ WARNING! Failure to replace or repair a damaged chain can cause serious injury.

⚠ WARNING! The saw chain is sharp. Always wear protective gloves when performing maintenance to the chain.

Guide Bar Maintenance

When the guide bar shows signs of wear, flip the guide bar from bottom to top on the saw to distribute the wear for maximum bar life. The bar should be cleaned every day of use and checked for wear and damage. Feathering or burring of the bar rails is a normal process of bar wear. Such faults should be smoothed with a file as soon as they occur.



A bar with any of the following faults should be replaced.

- Wear inside the bar rails which permits the chain to lay over sideways.
- Bent guide bar.
- Cracked or broken rails.
- Spread rails.

Lubricate guide bars with a sprocket at their tip weekly. Using a grease syringe, lubricate weekly in the lubricating hole. Turn the guide bar and check that the lubrication holes and bar rails are free from impurities.

Maintenance schedule

Daily check

Bar lubrication	Before each use
Chain tension	Before each use and frequently
Chain sharpness	Before each use, visual check
For damaged parts	Before each use
For loose fasteners	Before each use
Guide Bar	Before each use
Complete saw	After each use

Replacement parts (Bar and chain)

Manufacturer	MILWAUKEE	OREGON
Chain	4932 4801 76	90F033XTR
Guide Bar	4932 4801 69	360804

Chain must be fitted with bar from the same manufacturer according to above combinations.

Exploded view

If needed, an exploded view of the tool can be ordered. Please state the Article No. as well as the machine type printed on the label and order the drawing at your local service agents or directly at: Techtronic Industries GmbH, Max-Eyth-Straße 10, 71364 Winnenden, Germany.

SYMBOLS

	Please read the instructions carefully before starting the machine.
	CAUTION! WARNING! DANGER!
	Remove the battery pack before starting any work on the appliance.
	Never expose tool to rain.
	Not use one-handed
	Always use pruning saw two-handed
	Wear safety shoes with cut protection, grippy sole and steel toe!
	Wear gloves!
	Always wear protective clothing and footwear.
	Wear a protective helmet. Wear ear protectors! Use safety glasses.
	Beware of pruning saw kickback and avoid contact with bar tip
	Keep bystanders at least 50' away during use.
	Chain Oil Reservoir
	Rotate to adjust chain tension
	Chain running direction
	Accessory - Not included in standard equipment, available as an accessory.

	Do not dispose of waste batteries, waste electrical and electronic equipment as unsorted municipal waste. Waste batteries and waste electrical and electronic equipment must be collected separately. Waste batteries, waste accumulators and light sources have to be removed from equipment. Check with your local authority or retailer for recycling advice and collection point. According to local regulations retailers may have an obligation to take back waste batteries and Waste electrical and electronic equipment free of charge. Your contribution to re-use and recycling of waste batteries and waste electrical and electronic equipment helps to reduce the demand of raw materials. Waste batteries, in particular containing lithium and waste Electrical and electronic equipment contain valuable, recyclable materials, which can adversely impact the environment and the human health, if not disposed of in an environmentally compatible manner. Delete personal data from waste equipment, if any.
	Guaranteed sound power level 79 dB(A)
v_0	No-load chain speed
V	Voltage
	Direct Current
	European Conformity Mark
	British Conformity Mark
	Ukraine Conformity Mark
	EurAsian Conformity Mark

TECHNISCHE DATEN		M18 FHS20
Bauart	Astsäge	
Produktionsnummer	4916 50 01 XXXXXX MJJJJ	
Spannung Wechselakku	18 V =	
Leerlauf-Kettengeschwindigkeit	4,8 m/s	
Führungsschiene Länge max.	8" / 200 mm	
Nutzbare Schnittlänge	7,4" / 189 mm	
Kettenöl Tankinhalt	77 ml	
Gewicht nach EPTA-Prozedur 01/2014 01/2014 (Li-Ion 2.0 Ah .. 12.0 Ah)	2,8 kg 3,9 kg	
Empfohlene Umgebungstemperatur für den Betrieb	-18 ... +50 °	
Empfohlene Akku Typen	M18B...; M18HB...	
Empfohlene Ladegeräte	M12-18...; M1418C6	
Geräuschinformation: Messwerte ermittelt entsprechend EN 62841. Der A-bewertete Geräuschpegel des Gerätes beträgt typischerweise:		
Schalldruckpegel / Unsicherheit K=	81 dB (A) / 3 dB (A)	
Schalleistungspegel / Unsicherheit K=	89 dB (A) / 3 dB (A)	
Gehörschutz tragen!		
Vibrationsinformationen: Schwingungsgesamtwerte (Vektorsumme dreier Richtungen) ermittelt entsprechend EN 62841.		
Schwingungsemissionswert a _v / Unsicherheit K=	4,9 m/s ² / 1,5 m/s ²	

⚠️ WARNUNG!

Die angegebenen Schwingungsgesamtwerte und Geräuschemissionswerte wurden nach einem genormten Messverfahren gemäß EN 62841 gemessen und können für den Vergleich von Elektrowerkzeugen miteinander verwendet werden. Sie können für eine vorläufige Einschätzung der Belastung verwendet werden.

Der angegebene Schwingungs- und Geräuschemissionspegel repräsentiert die hauptsächlichen Anwendungen des Elektrowerkzeugs. Wenn allerdings das Elektrowerkzeug für andere Anwendungen, mit abweichenden Einsatzwerkzeugen oder ungenügender Wartung eingesetzt wird, können sich die Schwingungs- und Geräuschemissionen unterscheiden. Dies kann deren Wirkung über den gesamten Arbeitszeitraum deutlich erhöhen.

Bei der Abschätzung der Belastung durch Schwingungen und Lärm sollten auch die Zeiten berücksichtigt werden, in denen das Elektrowerkzeug ausgeschaltet ist oder zwar läuft, aber keine tatsächliche Arbeit verrichtet wird. Dies kann deren Wirkung über den gesamten Arbeitszeitraum deutlich reduzieren.

Legen Sie zusätzliche Sicherheitsmaßnahmen zum Schutz des Bedieners vor den Auswirkungen von Schwingungen- und / oder Lärm fest, wie z. B.: Wartung des Werkzeugs und des Zubehörs, Warmhalten der Hände, Organisation der Arbeitsabläufe.

Tragen Sie Gehörschutz. Die Einwirkung von Lärm kann Hörverlust bewirken.

⚠️ WARNUNG! Lesen Sie alle Sicherheitshinweise, Anweisungen, Bilderungen und technischen Daten, mit denen dieses Elektrowerkzeug versehen ist. Versäumnisse bei der Einhaltung der nachfolgenden Anweisungen können elektrischen Schlag, Brand und/oder schwere Verletzungen verursachen. Bewahren Sie alle Sicherheitshinweise und Anweisungen für die Zukunft auf.

ALLGEMEINE SICHERHEITSHINWEISE FÜR ASTSÄGEN

- Halten Sie bei laufender Säge alle Körperteile von der Sägekette fern. Vergewissern Sie sich vor dem Starten der Säge, dass die Sägekette nichts berührt.** Beim Arbeiten mit einer Astsäge kann ein Moment der Unachtsamkeit dazu führen, dass Bekleidung oder Körperteile von der Sägekette erfasst werden.
- Halten Sie die Astsäge immer mit Ihrer rechten Hand am hinteren Griff und Ihrer linken Hand am vorderen Griff.** Das Festhalten der Astsäge in umgekehrter Arbeitshaltung erhöht das Risiko von Verletzungen und darf nicht angewendet werden.
- Halten Sie die Astsäge nur an den isolierten Griffflächen, wenn Sie Arbeiten ausführen, bei denen das Einsatzwerkzeug verborgene Stromleitungen treffen kann.** Der Kontakt mit einer spannungsführenden Leitung kann auch metallene Geräteteile der Astsäge unter Spannung setzen und zu einem elektrischen Schlag führen.
- Tragen Sie Augenschutz. Weitere Schutzausrüstung für Gehör, Kopf, Hände, Beine und Füße wird empfohlen.** Passende Schutzkleidung mindert die Verletzungsgefahr durch umherfliegendes Spanmaterial und zufälliges Berühren der Sägekette.
- Arbeiten Sie mit der Astsäge nicht auf einem Baum, auf einer Leiter, von einem Dach oder einer instabilen Stütze.** Der Betrieb einer Astsäge auf diese Weise kann zu ernsthaften Verletzungen führen.

f) Achten Sie immer auf festen Stand und benutzen Sie die Astsäge nur, wenn Sie auf festem, sicherem und ebenem Grund stehen. Rutschiger Untergrund oder instabile Standflächen wie auf einer Leiter können zum Verlust des Gleichgewichts oder zum Verlust der Kontrolle über die Astsäge führen.

g) Rechnen Sie beim Schneiden eines unter Spannung stehenden Astes damit, dass dieser zurückfedert. Wenn die Spannung in den Holzfasern freikommt, kann der gespannte Ast die Bedienperson treffen und/oder die Astsäge der Kontrolle entreißen.

h) Seien Sie besonders vorsichtig beim Schneiden von Unterholz und jungen Bäumen. Das dünne Material kann sich in der Sägekette verfangen und auf Sie schlagen oder Sie aus dem Gleichgewicht bringen.

i) Tragen Sie die Astsäge am vorderen Griff im ausgeschalteten Zustand, die Sägekette von Ihrem Körper abgewandt. Bei Transport oder Aufbewahrung der Astsäge stets die Schutzabdeckung aufziehen. Sorgfältiger Umgang mit der Astsäge verringert die Wahrscheinlichkeit einer versehentlichen Berührung mit der laufenden Sägekette.

j) Befolgen Sie Anweisungen für die Schmierung, die Kettenspannung und das Wechseln von Schwert und Kette. Eine unsachgemäß gespannte oder geschmierte Kette kann entweder reißen oder das Rückschlagrisiko erhöhen.

k) Halten Sie Griffe trocken, sauber und frei von Öl und Fett. Fettige, ölige Griffe sind rutschig und führen zum Verlust der Kontrolle.

l) Nur Holz sägen. Die Astsäge nicht für Arbeiten verwenden, für die sie nicht bestimmt ist – Beispiel: Verwenden Sie die Astsäge nicht zum Sägen von Metall, Plastik, Mauerwerk oder Baumaterialien, die nicht aus Holz sind. Die Verwendung der Astsäge für nicht bestimmungsgemäße Arbeiten kann zu gefährlichen Situationen führen.

Befolgen Sie alle Anweisungen zum Entfernen von verklebtem Material, Lagern oder Warten der Astsäge. Stellen Sie sicher, dass der Schalter ausgeschaltet ist und der Akku entfernt ist. Unerwartetes Betätigen der Astsäge beim Entfernen von verklebtem Material oder Wartungsarbeiten kann zu schweren Verletzungen führen.

Ursachen und Vermeidung eines Rückschlags:

Rückschlag kann auftreten, wenn die Spitze der Führungsschiene einen Gegenstand berührt oder wenn das Holz sich biegt und die Sägekette im Schnitt festklemt.

Eine Berührung mit der Schienenspitze kann in manchen Fällen zu einer unerwarteten nach hinten gerichteten Reaktion führen, bei der die Führungsschiene nach oben und in Richtung des Bedieners geschlagen wird.

Das Verkleben der Sägekette an der Oberkante der Führungsschiene kann die Schiene rasch in Bedienerrichtung zurückstoßen.

Jeder dieser Reaktionen kann dazu führen, dass Sie die Kontrolle über die Säge verlieren und sich möglicherweise schwer verletzen. Verlassen Sie sich nicht ausschließlich auf die in der Kettensäge eingebauten Sicherheitseinrichtungen.

Als Benutzer einer Astsäge sollten Sie verschiedene Maßnahmen ergreifen, um unfall- und verletzungsfrei arbeiten zu können.

Ein Rückschlag ist das Ergebnis eines Fehlgebrauchs der Astsäge und/oder fehlerhafter Bedienungsansätze oder Betriebsbedingungen und kann vermieden werden, indem die unten beschriebenen Vorkehrungen getroffen werden:

a) Halten Sie die Säge mit beiden Händen fest, wobei Daumen und Finger die Griffe der Astsäge umschließen. Bringen Sie Ihren Körper und die Arme in eine Stellung, in der Sie den Rückschlagkräften standhalten können. Wenn geeignete Maßnahmen getroffen werden, kann der Bediener die Rückschlagkräfte beherrschen. Niemals die Astsäge loslassen.

b) Vermeiden Sie eine abnormale Körperhaltung und sägen Sie nicht über Schulterhöhe. Dadurch wird ein unbeabsichtigtes Berühren mit der Schienenspitze vermieden und eine bessere Kontrolle der Astsäge in unerwarteten Situationen ermöglicht.

c) Verwenden Sie nur die vom Hersteller angegebenen Ersatz-Führungsschienen und Ketten. Falsche Ersatzschienen und Sägeketten können zum Reißen der Kette und/oder zu Rückschlag führen.

d) Halten Sie sich an die Anweisungen des Herstellers für das Schärfen und die Wartung der Sägekette. Zu niedrige Tiefenbegrenzer erhöhen die Neigung zum Rückschlag.

WEITERE SICHERHEITS- UND ARBEITSHINWEISE

Es wird empfohlen, Baumstämme auf einem Sägebock zu sägen, wenn Sie das Produkt zum ersten Mal benutzen.

Befestigung des Haltegurts

Befestigung des Haltegurts nur mit Bandfalldämpfer. Befestigen Sie den Haltegurt ausschließlich am Motorsägenstropp.

Befestigen Sie das Seil nicht am Griff, am Führungsschienenschutz oder irgendeinem anderen Punkt des Werkzeugs.

Stellen Sie sicher, dass alle Schutzabdeckungen, Griffe und Krallenanschlag ordnungsgemäß befestigt und in gutem Zustand sind.

Personen, die die Astsäge verwenden, sollten in guter gesundheitlicher Verfassung sein. Die Säge ist schwer, weshalb der Bediener in guter körperlicher Verfassung sein sollte.

Der Benutzer sollte aufmerksam sein, gutes Sehvermögen, Beweglichkeit, Balance und Handfertigkeit besitzen. Wenn irgendwelche Zweifel bestehen, benutzen Sie die Astsäge nicht.

Fangen Sie nicht an die Maschine zu benutzen, bevor Sie über einen sauberen Arbeitsplatz, sicheren Stand und einen Rückzugsweg weg von dem fallenden Baum verfügen. Nehmen Sie sich vor Abgasen, Schmieröldunst und Sägespänen in Acht. Tragen Sie, wenn nötig, eine Maske oder Atemgerät.

Sägen Sie keine Rebstöcke und/oder kurzes Buschwerk.

Halten Sie die Astsäge bei der Benutzung der Astsäge immer mit beiden Händen fest wobei Daumen und Finger die Griffe der Astsäge umschließen. Die rechte Hand muss an dem hinteren Griff sein und die linke Hand an dem vorderen Griff.

Achten Sie vor dem Starten der Astsäge darauf, dass keine Gegenstände die Sägekette berühren.

Verändern Sie Ihr Maschinennicht auf irgendeine Weise, oder verwenden es, um Anbauteile oder Geräte die nicht vom Hersteller Ihrer Astsäge empfohlen sind anzutreiben.

Ein Verbandskasten mit Verbandsmaterial für große Wunden und einem Mittel, um Hilfe zu rufen (z.B. Pfeife) sollten bei dem Benutzer sein. Ein größerer, umfangreicherer Verbandskasten sollte in der Nähe ein.

Eine falsch gespannte Kette kann von der Führungsschiene springen und zu schweren Verletzungen oder zum Tod führen. Die Länge der Kette ist von der Temperatur abhängig. Überprüfen Sie die Kettenspannung regelmäßig.

Sie sollten sich mit Ihrer neuen Astsäge vertraut machen, indem Sie einfache Schnitte in sicher abgestütztem Holz machen. Machen Sie das immer dann, wenn Sie die Astsäge längere Zeit nicht benutzt haben. Um das Risiko von Verletzungen durch den Kontakt mit beweglichen Teilen zu verringern, sollten Sie jedes Mal den Motor stoppen, den Batteriepack herausnehmen und sicherstellen, dass alle beweglichen Teile zum Stillstand gekommen sind, bevor Sie die folgenden Maßnahmen durchführen:

- die Kettensäge reinigen oder eine Blockierung entfernen
- die Kettensäge unbeaufsichtigt lassen
- Anbauteile montieren oder entfernen.
- die Maschine prüfen, warten oder daran arbeiten

Die Größe des Arbeitsbereichs hängt von der durchgeführten Aufgabe, der Größe des Baums oder des Arbeitsstücks ab. Zum Beispiel erfordert das Fällen eines Baumes einen größeren Arbeitsplatz wie Ablängen usw. Der Benutzer muss aufmerksam sein und alles unter Kontrolle haben, was an seinem Arbeitsplatz passiert.

Sägen Sie nicht mit Ihrem Körper in einer Linie mit Führungsschiene und Kette. Wenn Sie einen Rückschlag erleben, verringert das die Chance, dass die Kette Ihren Kopf oder Körper trifft.

Machen Sie keine Hin- und Her-Bewegungen beim Sägen, lassen Sie die Kette die Arbeit machen. Halten Sie die Kette scharf und versuchen Sie nicht die Kette durch den Schnitt zu drücken.

Am Ende des Schnitts keinen Druck auf die Säge ausüben. Seien Sie bereit die Säge zu entlasten, wenn sie das Holz durchsägt hat. Nichtbeachtung kann zu schweren Verletzungen führen.

Stoppen Sie die Säge nicht während des Sägevorgangs.

Lassen Sie die Säge laufen, bis sie den Sägeschnitt beendet hat. Ein-/Ausschalter im handgeführten Betrieb nicht festkleben.

Vor allen Arbeiten am Gerät den Wechselakku herausnehmen.

⚠️ WARNUNG! Um die durch einen Kurzschluss verursachte Gefahr eines Brandes, von Verletzungen oder Produktbeschädigungen zu vermeiden, tauchen Sie das Werkzeug, den Wechselakku oder das Ladegerät nicht in Flüssigkeiten ein und sorgen Sie dafür, dass keine Flüssigkeiten in die Geräte und Akkus eindringen. Korrodierende oder leitfähige Flüssigkeiten, wie Salzwasser, bestimmte Chemikalien und Bleichmittel oder Produkte, die Bleichmittel enthalten, können einen Kurzschluss verursachen.

Wechselakkus des Systems M18 nur mit Ladegeräten des Systems M18 laden. Keine Akkus aus anderen Systemen laden.

Wechselakku und Ladegeräte nicht öffnen und nur in trockenen Räumen lagern. Vor Nässe schützen.

Drücken und ziehen

Die Reaktionskraft wirkt immer in die entgegengesetzte Richtung der Kettenaufrichtung. Deshalb muss der Benutzer bereit sein, die Tendenz der Kettensäge wegzuziehen (in einer Vorwärtsbewegung), wenn mit der Unterseite der Schiene gesägt wird, und rückwärts zu drücken (in Richtung Benutzer) wenn mit der Oberseite gesägt wird.

Säge in dem Sägespalt verklemt

Stoppen Sie die Astsäge und sichern Sie die Säge. Versuchen Sie nicht, die Kette und Führungsschiene mit Gewalt aus dem Sägespalt zu entfernen, weil dadurch die Kette zurückschnellen, und den Benutzer verletzen kann. Diese Situation entsteht meistens, weil das Holz falsch abgestützt wird und der Sägespalt zugeedrückt wird und die Schiene einklemmt. Wenn die Verstellung der Stütze die Schiene und Kette nicht löst, benutzen Sie Holzkeile oder einen Hebel, um den Schnitt zu öffnen und die Säge zu lösen. Versuchen Sie niemals

die Astsäge zu starten, wenn die Führungsschiene bereits in einem Schnitt oder einer Kerbe ist.

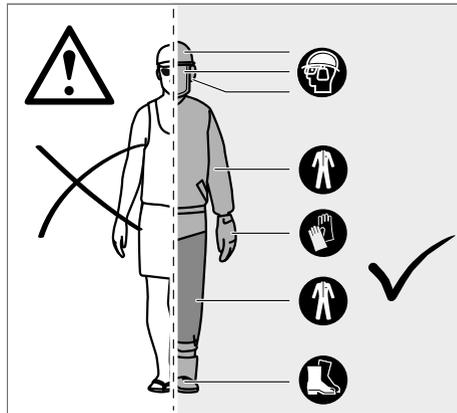
Rutschen / Hüpfen

Wenn sich die Astsäge während eines Schnitts nicht eingraben kann, kann die Führungsschiene anfangen zu hüpfen oder gefährlich entlang der Oberfläche des Baumstamms oder Asts zu rutschen, was möglicherweise zum Verlust der Kontrolle über die Astsäge führt. Um Skaten oder Hüpfen zu verhindern oder zu reduzieren, verwenden Sie die Säge immer mit beiden Händen. Stellen Sie sicher, dass die Sägekette eine Nut zum Schneiden bildet. Schneiden Sie nie kleine, flexible Zweige oder Gestrüpp mit Ihrer Astsäge. Größe und Flexibilität können leicht dazu führen, dass die Säge zu Ihnen springt oder sich mit ausreichender Kraft zusammenfrisst, um einen Rückschlag zu verursachen. Das beste Werkzeug für diese Art von Arbeit ist eine Handsäge, eine Gartenschere, eine Axt oder andere Handwerkzeuge.

Persönliche Schutzausrüstung

Tragen Sie immer einen Helm, wenn Sie die Maschine bedienen. Ein Helm, der mit einem Mesh-Visier ausgestattet ist, kann das Risiko einer Verletzung des Gesichts und des Kopfes reduzieren, wenn ein Rückschlag auftritt. Gehörschutz tragen!

Persönliche Schutzausrüstung guter Qualität, wie sie von Profi benutzt wird, hilft die Gefahr von Verletzungen des Benutzers zu verringern. Die folgenden Artikel sollten beim Einsatz Ihrer Kettensäge benutzt werden.



Sicherheitshelm

sollte EN 397 erfüllen und CE gekennzeichnet sein

Gehörschutz

sollte EN 352-1 erfüllen und CE gekennzeichnet sein

Augen- und Gesichtsschutz

sollte CE gekennzeichnet sein und EN 166 erfüllen (für Sicherheitsbrillen) oder EN 1731 (für Gittervisiere)

Handschuhe

sollte EN 381-7 erfüllen und CE gekennzeichnet sein

Beinschutz (Beinschützer)

sollten EN381-5 erfüllen, CE gekennzeichnet sein und Rundumschutz bieten sollten EN381-5 erfüllen, CE gekennzeichnet sein und Rundumschutz bieten

Astsäge Sicherheitsschuhe

sollten EN ISO 20345:2004 erfüllen und mit der Abbildung einer Astsäge gekennzeichnet sein, um darzustellen, dass EN 381-3 erfüllt wird. (Gelegentliche Benutzer können Sicherheitsschuhe mit Stahl-Vorderkappen und Schutzgamaschen die EN 381-9 erfüllen benutzen, wenn der Boden eben ist und geringe Gefahr von Stolpern oder von Verfangen im Buschwerk besteht)

Astsägenjacken zum Schutz des Oberkörpers

sollte EN 381-11 erfüllen und CE gekennzeichnet sein

MACHEN SIE SICH MIT IHRER ASTSÄGE VERTRAUT

1	Vorderer Handgriff	11	Kralleanschlag
2	Vorderer Handschutz	12	Sägekette
3	Sperrvorrichtung	13	Führungsschiene
4	Stromschalter	14	Schienennut
5	Hinterer Handgriff	15	Kettentreibglieder
6	Kettenschmiröldeckel	16	Kettenraddeckel
7	Kettenöltank	17	Kettenspannschraube
8	Hinterer Handschutz	18	Befestigungsmutter der Führungsschiene
9	Kombischlüssel	19	Führungsschienenschutz
10	Akku		

⚠️ WARNUNG!

Die unsachgemäße Wartung, Entfernung oder Modifizierung von Sicherheitsvorrichtungen, wie Zündschalter, Handschutz (vorne und hinten), Kralle, Kettengriff, Führungsschiene oder rückschlagarmer Sägekette, kann dazu führen, dass die Sicherheitsvorrichtungen nicht richtig funktionieren und daher ein erhöhtes Risiko für ernste Verletzungen besteht.

Kralleanschlag

Der integrierte Kralleanschlag kann als Drehpunkt verwendet werden, wenn ein Schnitt durchzuführen ist. Es ist hilfreich, beim Sägen das Gehäuse der Säge stabil zu halten. Drücken Sie beim Sägen die Maschine nach vorne, bis die Metalldorne in die Holzkannte dringen, wenn Sie dann den hinteren Griff nach oben oder unten in Richtung des Schnitts heben, kann die physische Belastung des Sägens verringert werden.

Führungsschiene

Im allgemeinen haben Führungsschienen mit Spitzen mit kleinem Radius ein geringeres Rückschlagpotenzial. Sie sollten eine Führungsschiene mit passender Kette benutzen, die gerade lange genug für die Aufgabe ist. Längere Führungsschienen erhöhen die Gefahr eines Kontrollverlustes beim Sägen. Überprüfen Sie die Kettenspannung regelmäßig. Beim Sägen kleinerer Äste (dünner als die volle Länge der Führungsschiene), ist die Gefahr, dass die Kette abgeworfen wird, wenn die Spannung nicht richtig ist, größer.

ANWEISUNGEN ÜBER DIE RICHTIGE TECHNIK ZUM FÄLLEN, ENTASTEN UND DURCHSÄGEN

Verstehen Sie die Kräfte im Holz

Wenn Sie die gerichteten Drucke und Spannungen in dem Holz verstehen, können Sie die „Klemmungen“ verringern oder mindestens beim Sägen darauf vorbereitet sein. Spannung im Holz bedeutet, dass die Fasern auseinander gezogen werden, und wenn Sie in diesem Bereich sägen, wird die „Kerbe“ oder der Schnitt sich öffnen, während Sie sägen. Wenn ein Baumstamm auf einem Holzbock liegt und ein Ende nicht gestützt wird, dann entsteht Spannung an der Oberseite, weil das Gewicht des überhängenden Baumstamms die Fasern dehnt. Ähnlich wird die Unterseite des Baumstamms komprimiert und die Fasern zusammengedrückt. Wenn ein Schnitt in diesem Bereich gemacht wird, wird die Kerbe dazu tendieren, sich beim Sägen zu schließen. Das würde die Schiene einklemmen.

Entasten eines Baumes

Entasten ist das Entfernen von Zweigen von einem gefällten Baum. Belassen Sie beim Entasten größere unten liegende Äste als Stützen, um den Baum über dem Boden zu halten. Entfernen Sie kleinere Äste in einem Schnitt. Äste, die unter Spannung stehen, sollten von unten nach oben geschnitten werden, um ein Einklemmen der Astsäge zu vermeiden.

Sägen von gespanntem Holz

Gespanntes Holz ist ein Stamm, Ast, verwurzelter Stumpf oder Schößling, der von anderem Holz unter Spannung gebogen wird und zurückschnellt, wenn das andere Holz geschnitten oder entfernt wird.

Bei einem gefällten Baum ist es sehr wahrscheinlich, dass ein verwurzelter Stumpf wieder in seine aufrechte Stellung zurückschnellt, wenn der Stamm beim Ablängen vom Stumpf getrennt wird. Auf gespanntes Holz achten, da dies sehr gefährlich ist.

⚠️ WARNUNG! Gespanntes Holz ist gefährlich und kann den Arbeiter treffen und zum Verlust der Kontrolle über die Astsäge führen. Das kann zu schweren oder tödlichen Verletzungen des Arbeiters führen. Das sollte von geschulten Benutzern durchgeführt werden.

BESTIMMUNGSGEMÄSSE VERWENDUNG

Die Akku Astsäge ist nur zum Einsatz im Freien vorgesehen.

Aus Sicherheitsgründen muss die Astsäge durch die Benutzung mit beiden Händen immer ausreichend kontrolliert werden.

Die Astsäge wurde zum Sägen von Zweigen, Ästen, Stämmen und Balken mit einem Durchmesser, der durch die Schnittlänge der Führungsschiene bestimmt wird, entwickelt. Sie darf ausschließlich zum Schneiden von Holz verwendet werden. Sie darf nur von Erwachsenen, die ausreichend über die Gefahren und Vorbeugungs-/ Schutzmaßnahmen unterwiesen wurden, verwendet werden.

Verwenden Sie die Astsäge nicht für andere, als die oben aufgeführten Zwecke. Sie darf nicht im Rahmen professioneller Baumpflegearbeiten eingesetzt werden. Die Astsäge darf nicht von Kindern oder Personen, die nicht die erforderliche persönliche Schutzausrüstung und -kleidung tragen, verwendet werden.

⚠️ WARNUNG! Die Sicherheitsregeln müssen befolgt werden, wenn diese Astsäge benutzt wird. Lesen Sie für Ihre eigene Sicherheit und die von Außenstehenden diese Anweisungen, bevor Sie die Astsäge benutzen. Sie sollten einen professionell organisierten Sicherheitskurs über die Benutzung, Präventionsmaßnahmen, Erste Hilfe und Wartung der Astsäge besuchen. Bitte bewahren Sie die Anweisungen zum späteren Nachschlagen auf.

⚠️ WARNUNG! Astsägen sind potenziell gefährliche Werkzeuge. Unfälle mit Astsägen führen oft zum Verlust von Gliedmaßen oder zum Tode. Es ist nicht nur die Astsäge, die gefährlich ist. Fallende Äste, umfallende Bäume, rollende Baumstämme können töten. Krankes oder verfaultes Holz stellt eine weitere Gefahr dar. Sie sollten Ihre Fähigkeiten, die Aufgabe sicher zu bewältigen, abschätzen. Wenn Sie irgendwelche Bedenken haben, überlassen Sie die Arbeit einem professionellen Baumpfleger.

Dieses Gerät darf nur wie angegeben bestimmungsgemäß verwendet werden.

RESTGEFAHREN

Selbst bei ordnungsgemäßem Gebrauch des Produkts lassen sich Restgefahren nicht vollständig ausschließen. Bei der Verwendung können folgende Risiken auftreten, weshalb der Bediener Folgendes beachten sollte:

- IDurch Vibrationen verursachte Verletzungen. Benutzen Sie immer das richtige Werkzeug für die Aufgabe, benutzen Sie die vorgesehenen Griffe und schränken die Arbeitszeit und Exposition ein.
- Lärm kann zu Gehörschäden führen. Tragen Sie einen Gehörschutz und schränken Sie die Belastung ein.
- Verletzungen durch Kontakt mit freiliegenden Sägezähnen der Sägekette.
- Verletzung durch weggeschleuderte Werkstücke (Holzspäne, Splitter)
- Verletzung durch Einatmen von Staub und Teilchen.
- Verletzung durch Hautkontakt mit Schmierstoff/Öl.
- Teile die von der Sägekette wegfiegen (Schnittgefahr/ Injektionsgefahr).
- Unvorhergesehene, abrupte Bewegungen oder Rückschlag der Führungsschiene (Schnittgefahr).

RISIKOVERMINDERUNG

- Vibrationen von in der Hand gehaltenen Werkzeugen können bei einigen Personen zu einem Zustand, der Raynaud-Syndrom genannt wird, führen. Symptome sind u.a. Kribbeln, Taubheitsgefühl und episodische Weißfärbung der Finger und treten normalerweise bei Kälte auf. Man geht davon aus, dass ererbte Faktoren, Kälte und Feuchtigkeit, Essgewohnheiten, Rauchen und Arbeitsweise zur Entwicklung dieser Symptome

beitragen. Der Anwender kann Maßnahmen ergreifen, um die Auswirkungen der Vibrationen möglicherweise zu verringern:

- Halten Sie den Körper bei Kälte warm. Tragen Sie beim Betrieb des Geräts Handschuhe, um Hände und Handgelenke warm zu halten.

- Betätigen Sie sich nach jedem Einsatz körperlich, um den Blutkreislauf zu steigern.
- Machen Sie regelmäßig Pausen. Beschränken Sie die Beanspruchung pro Tag.
- Schutzhandschuhe die von professionellen Astsägenhändlern erhältlich sind, sind speziell zur Benutzung mit Astsägen entwickelt und bieten Schutz, sicheren Griff und reduzieren auch den Effekt des vibrierenden Griffs. Diese Handschuhe sollten EN 381-7 erfüllen und CE gekennzeichnet sein.

Sollten bei Ihnen Symptome dieses Zustands auftreten, stellen Sie unverzüglich den Betrieb ein und suchen Sie in Hinsicht auf die Symptome einen Arzt auf.

⚠️ WARNUNG! Verletzungen können durch lange Benutzung eines Werkzeugs entstehen oder verschlimmert werden. Machen Sie regelmäßig Pause, wenn Sie ein Werkzeug für lange Zeit benutzen.

HINWEISE FÜR LI-ION-AKKUS

Gebrauch von Li-Ion-Akkus

Längere Zeit nicht benutzte Wechselakkus vor Gebrauch nachladen.

Eine Temperatur über 50°C vermindert die Leistung des Wechselakkus. Längere Erwärmung durch Sonne oder Heizung vermeiden.

Die Anschlusskontakte an Ladegerät und Wechselakku sauber halten.

Für eine optimale Lebensdauer müssen nach dem Gebrauch die Akkus voll geladen werden.

Für eine möglichst lange Lebensdauer sollten die Akkus nach dem Aufladen aus dem Ladegerät entfernt werden.

Bei Lagerung des Akkus länger als 30 Tage:

Bewahren Sie den Akkupack an einem trockenen Ort mit einer Temperatur unter 27 °C auf

Akku bei ca. 30%-50% des Ladezustandes lagern.

Akku alle 6 Monate erneut aufladen.

Akkuüberlastschutz bei Li-Ion-Akkus

Bei Überlastung des Akkus durch sehr hohen Stromverbrauch, z.B. extrem hohe Drehmomente, plötzlichem Stopp oder Kurzschluss, vibriert das Elektrowerkzeug 5 Sekunden lang, die Ladeanzeige blinkt und das Elektrowerkzeug schaltet sich selbsttätig ab.

Zum Wiedereinschalten, den Schalterdrücker loslassen und dann wieder einschalten. Unter extremen Belastungen erhitzt sich der Akku zu stark. In diesem Fall blinken alle Lampen der Ladeanzeige bis der Akku abgekühlt ist. Nach Erlöschen der Ladeanzeige kann weitergearbeitet werden.

Transport von Lithium-Ionen-Akkus

Lithium-Ionen-Akkus fallen unter die gesetzlichen Bestimmungen zum Gefahrguttransport.

Der Transport dieser Akkus muss unter Einhaltung der lokalen, nationalen und internationalen Vorschriften und Bestimmungen erfolgen.

Verbraucher dürfen diese Akkus ohne Weiteres auf der Straße transportieren.

Der kommerzielle Transport von Lithium-Ionen-Akkus durch Speditionsunternehmen unterliegt den Bestimmungen des Gefahrguttransports. Die Versandvorbereitungen und der Transport dürfen ausschließlich von entsprechend geschulten Personen durchgeführt werden. Der gesamte Prozess muss fachmännisch begleitet werden.

Folgende Punkte sind beim Transport von Akkus zu beachten:

Stellen Sie sicher, dass die Kontakte geschützt und isoliert sind, um Kurzschlüsse zu vermeiden.

Achten Sie darauf, dass der Akkupack innerhalb der Verpackung nicht verrutschen kann. Beschädigte oder auslaufende Akkus dürfen nicht transportiert werden. Wenden Sie sich für weitere Hinweise an Ihr Speditionsunternehmen.

ARBEITSHINWEISE

MONTAGE

Montage der Kette und Führungsschiene

⚠️ WARNUNG! Falls Teile fehlen oder beschädigt sind, darf die Maschine nicht in Betrieb genommen werden, bevor alles korrekt ersetzt wurde. Die Nichtbeachtung dieser Warnung kann zu schweren Personenschäden führen.

Stellen Sie sicher, dass der Akkupack aus dem Gerät entfernt ist. Schutzhandschuhe tragen!

- Entfernen Sie die Befestigungsmuttern der Führungsschiene mit dem mitgelieferten Kombischlüssel.
- Entfernen Sie die Kettenradabdeckung
- Setzen Sie die Kette in die richtige Richtung auf die Führungsschiene und vergewissern Sie sich, dass die Kettentreibglieder in der Führungsnut ausgerichtet sind.
- Befestigen Sie die Führungsschiene an der Astsäge und legen Sie die Kette um das Antriebszahnrad.
- Setzen Sie die Kettenradabdeckung auf und schrauben Sie die Befestigungsschrauben wieder auf (handfest).
- Die Befestigungsschrauben nur handfest anziehen. Die Führungsschiene muss sich frei bewegen können für die Einstellung der Kettenspannung.
- Stellen Sie die Kettenspannung ein. Siehe Abschnitt Kettenspannung einstellen.
- Halten Sie den vorderen Teil der Führungsschiene hoch und ziehen Sie die Befestigungsmuttern fest.

⚠️ WARNUNG! Die Sägekette ist scharf. Tragen Sie bei der Wartung der Kette immer Schutzhandschuhe.

Kettenspannung einstellen

Entfernen Sie den Akku bevor Sie irgendwelche Arbeiten an der Astsäge durchführen.

Um die Kettenspannung zu erhöhen, drehen Sie die Einstellschraube für die Kettenspannung im Uhrzeigersinn, überprüfen Sie dabei regelmäßig die Kettenspannung. Um die Kettenspannung zu verringern, drehen Sie die Einstellschraube gegen den Uhrzeigersinn, prüfen Sie dabei regelmäßig die Kettenspannung.

Die Kettenspannung ist richtig eingestellt, wenn der Abstand zwischen den Zähnen der Kette und der Schiene ca. 6,8 mm beträgt. Ziehen Sie die Kette an der unteren Seite der Schiene in der Mitte nach unten (von der Schiene weg) und messen dann den Abstand zwischen der Schiene und den Zähnen der Kette. Ziehen Sie die Befestigungsschrauben für die Führungsschiene gegen den Uhrzeigersinn fest.

Hinweis: Spannen Sie die Kette nicht zu stark – eine zu hohe Spannung führt zu übermäßigem Verschleiß, verkürzt die Lebensdauer der Kette und kann die Führungsschiene beschädigen. Neue Ketten können sich bei der ersten Verwendung dehnen und lockern. Entfernen Sie in den ersten beiden Nutzungsstunden regelmäßig den Akku und überprüfen Sie die Kettenspannung. Die Temperatur der Kette erhöht sich beim normalen Betrieb und verursacht die Dehnung der Kette. Daher die Kettenspannung häufig prüfen und nach Bedarf spannen. Eine in warmem Zustand gespannte Kette kann in kaltem Zustand zu straff sein. Stellen Sie sicher, dass die Kettenspannung wie in diesen Anweisungen vorgeschrieben eingestellt ist.

Kettenöl hinzufügen

⚠️ WARNUNG! Arbeiten Sie niemals ohne Kettenschmierung. Wenn die Säge ohne Schmierung läuft, können die Führungsschiene und die Sägekette beschädigt werden. Es ist deshalb unerlässlich, den Ölstand an der Füllstandsanzeige regelmäßig zu prüfen, und jedes Mal, wenn Sie mit der Arbeit mit der Astsäge beginnen. Achten Sie darauf, dass der Behälter immer zu ¼ befüllt ist, damit genug Öl für das jeweilige Vorhaben vorhanden ist.

Hinweis: Es wird empfohlen, beim Beschneiden von Bäumen Kettenöl auf pflanzlicher Basis zu verwenden. Mineralöl kann zu Schäden an den Bäumen führen. Verwenden Sie niemals Altöl, Motoröl oder sehr dickes Öl. Diese können die Astsäge beschädigen. Reinigen Sie die Oberfl äche, um den Tankdeckel um Verunreinigung zu verhindern.

- Schrauben Sie den Deckel auf und nehmen Sie ihn vom Öltank.
- Füllen Sie das Öl in den Öltank und beobachten Sie dabei die Füllstandsanzeige.
- Setzen Sie den Deckel wieder auf und drehen Sie ihn fest. Wischen Sie verschüttetes Öl ab.

Halten der Astsäge

Halten Sie das Gerät immer mit der rechten Hand am hinteren Griff und mit der linken Hand am vorderen Griff. Halten Sie beide Griffe mit fest umschlossenen Daumen und Fingern fest.

Starten der Astsäge

Vor der Inbetriebnahme der Astsäge sollten Sie den Akku in die Astsäge einsetzen.

Wiederanlaufschutz

Das Elektrowerkzeug ist mit einem Wiederanlaufschutz ausgestattet.

Dieser verhindert, dass das eingeschaltete Elektrowerkzeug von alleine anläuft, wenn der Wechsellakku eingesetzt wird oder wenn die Spannungsversorgung nach einer Abschaltfunktion des Wechsellakkus wieder hergestellt wurde.

Falls sich die Führungsschiene außerhalb des Holzes befindet, schalten Sie die Maschine aus und anschließend wieder ein, um mit der Arbeit fortzufahren.

Falls die Führungsschiene sich im Holz befindet, warten Sie, bis die Kette ganz zum Stillstand gekommen ist. Vergewissern Sie sich, dass der Schalter sich in der ausgeschalteten Position befindet. Entnehmen Sie den Akku aus der Maschine und ziehen Sie die Führungsschiene aus dem Schnitt. Legen Sie den Akku ein und schalten Sie die Maschine anschließend wieder ein, um mit der Arbeit fortzufahren.

TRANSPORT UND LAGERUNG

Tragen Sie vor der Lagerung immer ein wenig Öl auf die Kette auf, um Rostbildung zu vermeiden. Leeren Sie vor der Lagerung stets den Öltank, um ein Auslaufen zu vermeiden.

Stoppen Sie die Maschine, entfernen den Akkupack und lassen das Werkzeug abkühlen, bevor Sie es einlagern oder transportieren.

Entfernen Sie alle Fremdkörper von der Maschine. Lagern Sie die Maschine an einem trockenen und gut belüfteten Ort, der Kindern keinen Zugang bietet. Die Maschine von korrodierend wirkenden Stoffen, wie Gartenchemikalien und Enteisungssalzen, fernhalten. Nicht im Freien lagern.

Setzen Sie die Abdeckung der Führungsschiene auf, bevor Sie die Maschine lagern oder während des Transports.

Sichern Sie die Maschine beim Transport gegen Bewegung oder Fallen, um Verletzungen an Personen und Beschädigung der Maschine zu verhindern.

REINIGUNG

Öffnungen von Staub und Ablagerungen befreien. Den Griff stets sauber und frei von Öl oder Schmiermittel halten. Zur Säuberung nur mildes Seifenwasser und ein feuchtes Tuch verwenden, da einige Reinigungs- und Lösungsmittel Kunststoff- und Isolierkomponenten beschädigen können. Zu diesen Mitteln zählen unter anderem Benzin, Terpentin, Lack- und Farbverdünner, chlorierte Reinigungs- und Lösungsmittel, Ammoniak sowie ammoniakhaltige Haushaltsreiniger. In der Nähe von Werkzeugen niemals entzündliche oder brennbare Lösungsmittel verwenden.

WARTUNG

⚠️ WARNUNG! Nur Milwaukee Zubehör und Milwaukee Ersatzteile verwenden. Nichtbefolgung kann mögliche Verletzungen oder schlechte Leistung verursachen und Ihre Garantie ungültig machen.

Nur Milwaukee Zubehör und Milwaukee Ersatzteile verwenden. Bauteile, deren Austausch nicht beschrieben wurde, bei einer

Milwaukee Kundendienststelle auswechseln lassen (Broschüre Garantie/Kundendienstadressen beachten).

⚠️ WARNUNG! Die Inspektion der Maschine erfordert extreme Sorgfalt und Sachkenntnis. Überlassen Sie diese Arbeit unbedingt einem qualifizierten Servicetechniker. Senden Sie die Maschine zur Inspektion oder Reparatur an eine MILWAUKEE Kundendienststelle. Verwenden Sie zur Wartung nur identische Ersatzteile.

⚠️ WARNUNG! Entfernen Sie vor Einstellungen, Wartung oder Reinigung den Akku. Nichtbeachtung dieser Warnung kann zu schweren Verletzungen führen. Sie dürfen nur die in dieser Bedienungsanleitung beschriebenen Einstellungen und Reparaturen durchführen. Kontaktieren Sie Ihren autorisierten Kundendienst für andere Reparaturen.

Durch falsche Wartung können die Kettenbremse und andere Sicherheitsfunktionen nicht ordnungsgemäß funktionieren, und dadurch die Gefahr schwerer Verletzungen erhöhen. Halten Sie Ihre Kettensäge immer professionell gewartet und sicher.

Das Schärfen der Kette ist eine anspruchsvolle Aufgabe. Deshalb empfiehlt der Hersteller, dass eine abgenutzte oder stumpfe Kette durch eine neue Kette ersetzt wird, erhältlich bei Ihrer MILWAUKEE Kundendienststelle. Die Teilenummer ist in der Tabelle der Produktspezifikation in dieser Bedienungsanleitung aufgeführt.

Befolgen Sie die Anweisungen zur Schmierung der Kette und Kettenspannung und -einstellung.

Reinigen Sie die Maschine nach jeder Benutzung mit einem weichen, trockenen Lappen.

Entfernen Sie alle Späne, Schmutz und Ablagerungen in der Akkuaufnahme

Überprüfen Sie Bolzen, Muttern und Schrauben immer wieder ob alles fest angezogen ist, so dass das Produkt in einem sicheren Zustand ist. Jedes beschädigte Teil muss durch den autorisierten Kundendienst ordnungsgemäß repariert oder ausgetauscht werden.

Ersetzen der Führungsschiene und der Sägekette

Tragen Sie Schutzhandschuhe.

- den Akku entfernen.
- Entfernen Sie die Abdeckung der Führungsschiene.
- Entfernen Sie die Befestigungsmuttern der Führungsschiene mit dem mitgelieferten Kombischlüssel.
- Entfernen Sie die Kettenradabdeckung
- Reduzieren Sie die Kettenspannung. Siehe Abschnitt „Einstellen der Kettenspannung“.
- Entfernen Sie die alte Kette mit der Führungsschiene.
- Setzen Sie die neue Kette in die richtige Richtung auf die Führungsschiene und vergewissern Sie sich, dass die Kettentreibglieder in der Führungsnut ausgerichtet sind.
- Befestigen Sie die Führungsschiene an der Astsäge und legen Sie die Kette um das Antriebszahnrad.
- Bringen Sie die Abdeckung des Antriebskettenrads und die Befestigungsmutter der Schiene wieder an.
- Drehen Sie die Befestigungsmutter der Schiene mit den Fingern fest.
- Die Schiene muss für die Einstellung der Kettenspannung frei beweglich sein.
- Stellen Sie die Kettenspannung ein. Siehe Abschnitt Kettenspannung einstellen.
- Halten Sie den vorderen Teil der Führungsschiene hoch und ziehen Sie die Befestigungsmuttern fest.

⚠️ WARNUNG! Eine stumpfe oder falsch geschärfte Kette kann zu übermäßiger Motordrehzahl beim Sägen und schweren Motorschaden führen.

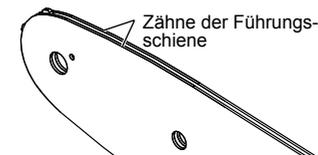
⚠️ WARNUNG! Falsches Schleifen der Kette erhöht das Rückschlagpotenzial.

⚠️ WARNUNG! Wenn eine beschädigte Kette nicht ersetzt oder repariert wird, kann es zu schweren Verletzungen kommen.

⚠️ WARNUNG! Die Sägekette ist scharf. Tragen Sie bei der Wartung der Kette immer Schutzhandschuhe.

Wartung der Führungsschiene

Wenden Sie die Führungsschiene, sobald sie Verschleißerscheinungen zeigt, damit sie gleichmäßig abgenutzt und die Lebensdauer der Schiene erhöht wird. Die Schiene sollte jeden Tag gereinigt und auf Verschleiß und Beschädigungen überprüft werden. Das Ausfransen oder Entgraten der Zähne der Führungsschiene ist ein normaler Verschleißprozess. Solche Abnutzungerscheinungen sollten mit einer Feile bearbeitet werden, sobald sie auftreten.



Eine Schiene mit einer der folgenden Verschleißerscheinungen sollte ersetzt werden:

- Verschleiß an der Innenseite der Zähne, der ein seitliches Umlegen der Kette ermöglicht.
- Verbogene Führungsschiene.
- Eingerissene oder abgebrochene Zähne.
- Gespaltene Zähne.

Schmieren Sie die Führungsschiene, an deren Spitze sich ein Kettenrad befindet, wöchentlich. Benutzen Sie eine Schmierfettsspritze und fetten Sie die Schmieröffnungen wöchentlich. Wenden Sie die Führungsschiene und prüfen Sie, ob die Schmieröffnungen und Zähne frei von Verunreinigungen sind.

Wartungsplan

Tägliche Kontrollen

Schmierung Führungsschiene	Vor jedem Einsatz
Kettenspannung	Vor jedem Einsatz und regelmäßig
Schärfe Sägekette	Vor jedem Einsatz, Sichtkontrolle
Beschädigte Teile	Vor jedem Einsatz
Lose Befestigungsteile	Vor jedem Einsatz
Führungsschiene	Vor jedem Einsatz
Komplette Säge	Nach jedem Einsatz

Ersatzteile (Führungsschiene und Kette)

Hersteller	MILWAUKEE	OREGON
Kette	4932 4801 76	90F033XTR
Führungsschiene	4932 4801 69	360804

Die Kette muss mit einer Führungsschiene von demselben Hersteller, entsprechend den oben genannten Kombinationen, montiert sein

Explosionszeichnung

Bei Bedarf kann eine Explosionszeichnung des Gerätes unter Angabe der Maschinen Type und der sechsstelligen Nummer auf dem Leistungsschild bei Ihrer Kundendienststelle oder direkt bei Techtronic Industries GmbH, Max-Eyth-Straße 10, 71364 Winnenden, Germany angefordert werden.

SYMBOLE

	Bitte lesen Sie die Gebrauchsanweisung vor Inbetriebnahme sorgfältig durch.
	ACHTUNG! WARNUNG! GEFAHR!
	Vor allen Arbeiten am Gerät den Wechsellaku herausnehmen.
	Die Maschine nicht dem Regen aussetzen.
	Nicht einhändig verwenden.
	Verwenden Sie die Astsäge immer zueihändig
	Tragen Sie Sicherheitstiefel mit Schnitenschutz, griffiger Sohle und Stahlzunge!
	Schutzhandschuhe tragen!
	Tragen Sie immer Schutzkleidung und festes Schuhwerk.
	Schutzhelm tragen. Gehörschutz tragen! Tragen Sie immer eine Schutzbrille.
	Hüten Sie sich vor Rückstoß der Astsäge und vermeiden Sie Kontakt der Schwertspitze
	Der Abstand zu Unbeteiligten muss während des Betriebs mindestens 15 m betragen.
	Kettenölbehälter
	Drehen, um die Kettenspannung einzustellen
	Umlaufrichtung der Kette
	Zubehör - Im Lieferumfang nicht enthalten, empfohlene Ergänzung aus dem Zubehörprogramm.



Altbatterien, Elektro- und Elektronik-Altgeräte dürfen nicht zusammen mit dem Hausmüll entsorgt werden. Altbatterien, Elektro- und Elektronik-Altgeräte sind getrennt zu sammeln und zu entsorgen. Entfernen Sie Altbatterien, Altakkumulatoren und Leuchtmittel vor dem Entsorgen aus den Geräten. Erkundigen Sie sich bei den örtlichen Behörden oder bei Ihrem Fachhändler nach Recyclinghöfen und Sammelstellen. Je nach den örtlichen Bestimmungen können Einzelhändler verpflichtet sein, Altbatterien, Elektro- und Elektronik-Altgeräte kostenlos zurückzunehmen. Tragen Sie durch Wiederverwendung und Recycling Ihrer Altbatterien, Elektro- und Elektronik-Altgeräte dazu bei, den Bedarf an Rohmaterialien zu verringern. Altbatterien (vor allem Lithium-Ionen-Batterien), Elektro- und Elektronik-Altgeräte enthalten wertvolle, wiederverwertbare Materialien, die bei nicht umweltgerechter Entsorgung negative Auswirkungen auf die Umwelt und Ihre Gesundheit haben können. Löschen Sie vor der Entsorgung möglicherweise auf Ihrem Altgerät vorhandene personenbezogene Daten.



Garantierter Schallleistungspegel 79 dB(A)



Leerlauf-Kettengeschwindigkeit



Spannung



Gleichstrom



Europäisches Konformitätszeichen



Britisches Konformitätszeichen



Ukrainisches Konformitätszeichen



Euroasiatisches Konformitätszeichen

CARACTÉRISTIQUES TECHNIQUES

M18 FHS20

Type	scie à élaguer
Numéro de série	4916 50 01 XXXXXX MJJJJ
Tension accu interchangeable	18 V =
Vitesse de la chaîne à vide	4,8 m/s
Longueur de la barre max.	8" / 200 mm
Longueur de coupe utilisable	7,4" / 189 mm
Capacité du réservoir d'huile de la chaîne	77 ml
Poids suivant EPTA-Procédure 01/2014 01/2014 (Li-Ion 2.0 Ah .. 12.0 Ah)	2,8 kg 3,9 kg
Température ambiante conseillée pour le fonctionnement	-18 ... +50 °
Batteries conseillées	M18B...; M18HB...
Chargeurs conseillés	M12-18...; M1418C6

Informations sur le bruit: Valeurs de mesure obtenues conformément à la EN 62841. Les mesures réelles (des niveaux acoustiques de l'appareil sont :

Niveau de pression acoustique / Incertitude K=	81 dB (A) / 3 dB (A)
Niveau d'intensité acoustique / Incertitude K=	89 dB (A) / 3 dB (A)

Toujours porter une protection acoustique!

Informations sur les vibrations: Valeurs totales des vibrations (somme vectorielle de trois sens) établies conformément à EN 62841.

Valeur d'émission vibratoire a _v / Incertitude K=	4,9 m/s ² / 1,5 m/s ²
--	---

AVERTISSEMENT!

Le niveau de vibration et d'émissions sonores indiqué dans cette fiche de données a été mesuré en respect d'une méthode standard de test selon la norme EN 62841 et peut être utilisé pour comparer les outils entre eux. Il peut être utilisé pour évaluation préliminaire de l'exposition.

Le niveau de vibration et d'émissions sonores déclaré correspond à l'application principale de l'outil. Cependant, si l'outil est utilisé pour des applications différentes, avec différents accessoires ou est mal entretenu, les vibrations et les émissions sonores peuvent différer. Cela peut augmenter considérablement le niveau d'exposition au cours de la période de travail totale.

Une estimation du niveau d'exposition aux vibrations et au bruit devrait également tenir compte des temps d'arrêt de l'outil ou des périodes où il est en marche mais n'effectue pas réellement le travail. Cela peut réduire considérablement le niveau d'exposition au cours de la période de travail totale.

Identifier des mesures de sécurité supplémentaires pour protéger l'opérateur des effets des vibrations et/ou du bruit tels que : l'entretien de l'outil et des accessoires, le maintien au chaud des mains, l'organisation des processus de travail.

Portez une protection acoustique. L'influence du bruit peut provoquer la surdité.

AVERTISSEMENT! Lisez toutes les consignes de sécurité, instructions, présentations et données que vous recevez avec l'appareil. Le fait de ne pas suivre toutes les instructions données ci-dessous peut provoquer un choc électrique, un incendie et/ou une blessure grave.
Bien garder tous les avertissements et instructions.

GÉNÉRALES AVERTISSEMENTS DE SÉCURITÉ POUR LES SCIES À ÉLAGUER

- a) Tenir toutes les parties du corps éloignées de la scie à élaguer lorsqu'elle est en fonction. Avant de démarrer la scie à élaguer, assurez-vous qu'elle n'est pas en contact avec quoi que ce soit. Un moment d'inattention pendant le fonctionnement des scies à élaguer peuvent entraîner le happement de vos vêtements ou de votre corps dans la chaîne.
- b) Toujours tenir la scie à élaguer avec la main droite sur la poignée arrière et la main gauche sur la poignée avant. Tenir la scie à élaguer avec une position inversée des mains augmente le risque de blessures personnelles et ne doit jamais avoir lieu.
- c) Tenir la scie à élaguer uniquement par les surfaces de saisie isolées parce que la scie à élaguer peut entraîner en contact avec des câbles cachés. Les scies à élaguer entrant en contact avec un câble « sous tension » peuvent « activer » les pièces en métal de la scie à élaguer et entraîner un choc électrique pour l'opérateur.
- d) Porter une protection oculaire. Un équipement de protection supplémentaire pour les oreilles, la tête, les mains, les jambes et les pieds est recommandé. Un équipement de protection adéquat réduira le risque de blessures physiques causées par le vol de débris ou le contact accidentel avec la chaîne.
- e) Ne pas utiliser une scie à élaguer dans un arbre, sur une échelle, depuis un toit ou sur tout support instable. Utiliser une scie à élaguer de cette manière peut entraîner des blessures physiques graves.

- f) Toujours être bien campé sur ses pieds et utiliser la scie à élaguer uniquement sur une surface fixe, sûre et plane. Les surfaces glissantes ou instables peuvent entraîner une perte d'équilibre ou une perte de contrôle de la scie à élaguer.
 - g) Lorsque vous coupez une branche sous tension, faites attention à son rebond. Lorsque la tension dans les fibres du bois est relâchée, la branche chargée en tension peut frapper l'opérateur et/ou lui faire perdre le contrôle de la scie à élaguer.
 - h) Être extrêmement prudent lors du tronçonnage des broussailles et des jeunes arbres. Les débris fins peuvent frapper la chaîne et être rejetés vers vous ou vous déséquilibrer.
 - i) Porter la scie à élaguer par la poignée avant avec la scie à élaguer éteinte et éloignée du corps. Lors du transport ou du stockage de la scie à élaguer, toujours mettre en place le cache du guide-chaîne. Manipuler correctement la scie à élaguer réduit la probabilité de contact accidentel lors du déplacement de la scie à élaguer.
 - j) Respecter les instructions de lubrification, de tension de la chaîne et de remplacement de la barre et de la chaîne. Une chaîne mal tendue ou lubrifiée peut soit casser soit augmenter la probabilité de recul.
 - k) Garder les poignées sèches, propres et exemptes d'huile et de graisse. Les poignées grasses, huileuses sont glissantes et entraînent la perte de contrôle.
 - l) Couper uniquement du bois. Ne pas utiliser la scie à élaguer à des fins non prévues. Par exemple : ne pas utiliser la scie à élaguer pour découper du métal, du plastique, de la maçonnerie ou des matériaux de construction sans bois. Utiliser la scie à élaguer pour des opérations autres que celles prévues peut entraîner des situations dangereuses.
- Respecter toutes les instructions lors du nettoyage des objets coincés, du stockage ou de l'entretien de la scie à élaguer. S'assurer que l'interrupteur est éteint et que le pack de batterie

est retiré. Une activation inattendue de la scie à élaguer pendant le nettoyage des objets coincés ou de l'entretien peut entraîner des blessures physiques graves.

Causes et prévention du recul par l'opérateur :

Un recul peut se produire lorsque le nez ou le bout du guide-chaîne touche un objet ou lorsque le le bois s'approche et coince la chaîne dans la découpe.

Dans certains cas, le contact du bout peut entraîner une réaction inverse soudaine, pousser le guide-chaîne vers le haut et le renvoyer vers l'opérateur.

Pincer la chaîne sur le haut du guide-chaîne peut renvoyer le guide-chaîne rapidement vers l'opérateur.

L'une de ces réactions peut entraîner la perte de contrôle de la tronçonneuse et entraîner des blessures physiques graves. Ne pas se fier exclusivement aux appareils de sécurité intégrés à votre tronçonneuse.

En tant qu'utilisateur de scie à élaguer, vous devez prendre plusieurs mesures pour éviter les accidents et les blessures pendant vos tâches d'abattage.

Le retour est causé par une mauvaise utilisation de la scie à élaguer et/ou des procédures ou conditions incorrectes d'exploitation et peut être évité en prenant des précautions adéquates comme indiqué ci-dessous :

a) Tenir fermement la scie à élaguer avec les pouces et les doigts encerclant les poignées de la scie à élaguer, avec les deux mains sur la scie à élaguer et positionner son corps et ses bras afin de pouvoir résister aux forces engendrées par un recul. Les forces de recul peuvent être contrôlées par l'opérateur s'il prend des précautions adéquates. Ne pas relâcher la scie à élaguer.

b) Ne pas tendre les bras ni couper au-dessus de la hauteur des épaules. Cela permet d'éviter un contact inattendu de l'extrémité et permet de mieux contrôler la scie à élaguer dans les situations inattendues.

c) Utilisez uniquement les guide-chaînes et chaînes de remplacement spécifiés par le fabricant. Le remplacement incorrect des guide-chaînes et des chaînes peut entraîner la rupture et/ou le recul de la chaîne.

d) Respecter les instructions d'affûtage et de maintenance du fabricant pour la chaîne. La réduction de la hauteur de la jauge de profondeur peut entraîner un recul plus important.

AVIS COMPLÉMENTAIRES DE SÉCURITÉ ET DE TRAVAIL

Il est recommandé de découper des bûches sur un tréteau ou un socle lorsque l'on utilise la machine pour la première fois.

Ancrage

Ancrez avec des longueurs absorbant l'énergie uniquement. N'attachez la longe qu'à la boucle de la longe.

Ne fixez pas l'attache à la poignée, au capot du guide-chaîne ou à un autre endroit de l'outil.

S'assurer que toutes les protections, les poignées et la griffe d'abattage sont correctement fixés et en bon état.

Les personnes utilisant la scie à élaguer doivent être en bonne santé. La scie d'élagage est lourde, l'utilisateur doit donc avoir une bonne condition physique.

L'opérateur doit être alerte, avoir une bonne vision, une bonne mobilité, un bon équilibre et une bonne dextérité manuelle. En cas de doute, ne pas utiliser la scie à élaguer.

Ne pas commencer à utiliser la scie à élaguer avant d'avoir une zone de travail claire, les pieds bien campés et un chemin de retraite prévu loin de l'arbre qui tombe. Faire attention à l'émission de brume de lubrifiant et de poussière de sciage. Porter un masque ou un respirateur, le cas échéant.

Ne pas couper les vignes et/ou les petites broussailles.

Toujours tenir la scie à élaguer avec les deux mains pendant l'opération. Tenir fermement la scie à élaguer avec les pouces et les doigts encerclant les poignées de la scie à élaguer. La main droite doit être sur la poignée arrière et la main gauche sur la poignée avant.

Avant de démarrer la scie à élaguer, assurez-vous qu'elle n'est pas en contact avec quoi que ce soit.

Ne modifiez en aucune façon la scie à élaguer et ne l'utilisez

pas pour mettre en route des accessoires ou appareils non recommandés par le fabricant pour votre scie à élaguer.

Il doit y avoir un kit de premiers secours contenant des pansements larges et un moyen d'attirer l'attention (par ex. sifflet) près de l'opérateur. Un kit plus complet doit être présent à une distance raisonnable.

Toute chaîne incorrectement tendue peut sauter du guide-chaîne et provoquer des blessures graves ou entraîner la mort. La longueur de la chaîne dépend de la température. Contrôlez régulièrement la tension de la chaîne.

Familiarisez-vous avec votre nouvelle scie à élaguer en effectuant des coupes simples sur du bois étayé et sécurisé. Procédez toujours ainsi quand vous n'avez plus utilisé la scie à élaguer pendant une durée prolongée. Pour réduire le risque de blessure lié au contact avec des pièces en mouvement, coupez toujours le moteur, retirez le bloc-piles et assurez-vous que toutes les pièces en mouvement se sont arrêtées avant :

- nettoyer ou supprimer un blocage
- laisser la machine sans surveillance
- installer ou retirer des accessoires
- vérifier, effectuer la maintenance ou travailler sur la machine

La taille de la zone de travail dépend du travail effectué aussi bien que de la taille de l'arbre ou de la pièce à usiner impliquée. Par exemple, abattre un arbre requiert une zone de travail plus importante que les autres découpes, par ex. le tronçonnage etc. L'opérateur a besoin d'être alerte et d'avoir le contrôle sur tout ce qu'il se passe dans la zone de travail.

Ne pas couper avec le corps aligné sur le guide-chaîne et la chaîne. Si vous rencontrez un recul, cela vous permet d'éviter que la chaîne n'entre en contact avec votre tête ou votre corps.

Ne pas utiliser un mouvement de sciage d'avant en arrière, laisser la chaîne faire le travail. Garder la chaîne tranchante et ne pas essayer de pousser la chaîne dans la découpe.

Ne pas effectuer une pression sur la tronçonneuse à la fin de la coupe. Être prêt à recevoir le poids de la tronçonneuse lorsqu'elle finit de couper le bois. Ne pas le faire peut entraîner des blessures physiques graves.

Ne pas arrêter la tronçonneuse au milieu d'une opération de coupe. Garder la tronçonneuse en fonction jusqu'à ce qu'elle soit retirée de la coupe. Ne pas bloquer le commutateur de marche/arrêt lorsque la scie se trouve en guidage manuel.

Avant tous travaux sur l'appareil retirer l'accu interchangeable.

AVERTISSEMENT! Pour réduire le risque d'incendie, de blessures corporelles et de dommages cau-sés par un court-circuit, ne jamais immerger l'outil, le bloc-piles ou le chargeur dans un liquide ou laisser couler un fluide à l'intérieur de celui-ci. Les fluides corrosifs ou conducteurs, tels que l'eau de mer, certains produits chim-iques industriels, les produits de blanchiment ou de blanchiment, etc., peuvent provoquer un court-circuit.

Ne charger les accus interchangeables du système M18 qu'avec le chargeur d'accus du système M18. Ne pas charger des accus d'autres systèmes.

Ne pas ouvrir les accus interchangeables et les chargeurs et ne les stocker que dans des locaux secs. Les protéger contre l'humidité.

Pousser et tirer

La force de réaction est toujours opposée à la direction de déplacement de la chaîne. Ainsi, l'opérateur doit être prêt à contrôler la tendance à avancer de la machine (mouvement avant) lors de la coupe sur le coin inférieur de la barre et à être repoussé (mouvement vers l'opérateur) lorsqu'il coupe le long du coin supérieur.

Tronçonneuse bloquée dans la coupe

Arrêter la scie à élaguer et la rendre sûre. Ne pas essayer de forcer sur la chaîne et la barre pour les sortir de la coupe car cela peut casser la chaîne qui peut alors revenir en arrière et frapper l'opérateur. La situation se produit normalement parce que le bois n'est pas soutenu correctement ce qui fait se fermer la coupe par compression et pince ainsi la lame. Si l'ajustement du support ne libère pas la barre et la chaîne, utiliser des gabarits en bois ou un levier pour ouvrir la coupe et libérer la lame. Ne pas essayer de démarrer la scie à élaguer lorsque le guide-chaîne est déjà dans

une coupe ou une entaille.

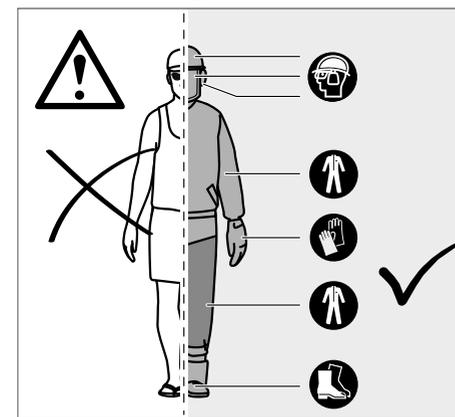
Patinage / rebond

Lorsque la scie à élaguer n'arrive pas à creuser pendant une coupe, le guide-chaîne peut commencer à sautiller ou à patiner dangereusement le long de la surface de la bûche ou d'une branche et entraîner éventuellement la perte de contrôle de la scie à élaguer. Afin d'éviter ou de réduire le patinage, toujours utiliser la scie à élaguer des deux mains et s'assurer que la chaîne établit une rainure pour la découpe. Ne jamais découper les petite branches ou broussailles flexibles avec votre scie à élaguer. Leur taille et leur souplesse peut entraîner le recul de la scie à élaguer vers vous ou causer une force suffisante pour entraîner un recul. Le meilleur outil pour ce type de travail est une scie manuelle, un sécateur, une hache ou d'autres outils manuels.

Équipement de protection individuelle

Porter un casque en permanence pendant l'utilisation de la machine. Un casque équipé d'une visière en maille peut réduire le risque de blessure au visage et à la tête en cas de recul. Toujours porter une protection acoustique!

Un équipement de protection individuelle de bonne qualité, tel celui utilisé par les professionnels, réduit le risque de blessure de l'opérateur. Les éléments suivants doivent être utilisés lors de l'utilisation de la machine :



Casque de sécurité

doit être conforme à la norme EN 397 et avoir le label CE

Protection auditive

doit être conforme à la norme EN 352-1 et avoir le label CE

Protection oculaire et du visage

doit avoir le label CE et être conforme à la norme EN 166 (pour lunettes de sécurité) ou EN 1731 (pour visières en maille)

Gants

doit être conforme à la norme EN381-7 et avoir le label CE

Protection des jambes (chaps)

doit être conforme à la norme EN 381-5, avoir le label CE et fournir une protection complètedoit être conforme à la norme EN 381-5, avoir le label CE et fournir une protection complète

Bottes de sécurité pour la scie à élaguer

doivent être conformes à la norme EN ISO 20345:2004 et avoir un pictogramme présentant une scie à élaguer pour prouver la conformité à la norme EN 381-3. (Les utilisateurs occasionnels peuvent utiliser des bottes de sécurité avec capuchon d'orteil en acier et des gûetes de protection conformes à EN 381-9 si le sol est plat et qu'il y a peu de risque de trébucher ou d'être happé par des broussailles)

Veste de scie à élaguer pour la protection du buste

doit être conforme à la norme EN 381-11 et avoir le label CE

CONNAÎTRE SA SCIE À ÉLAGUER

1	Poignée avant	11	Griffe
2	Protection avant de la main	12	Chaîne
3	Dispositif d'arrêt	13	Guide-chaîne
4	Interrupteur	14	Rainure de la barre
5	Poignée arrière	15	Entraînement de la chaîne
6	Capuchon de lubrification de chaîne	16	Cache du pignon moteur
7	Réservoir d'huile de la chaîne	17	Vis de tension de la chaîne
8	Protection arrière de la main	18	écrou de montage de la barre
9	Clé mixte	19	Cache du guide-chaîne
10	Batterie		

AVERTISSEMENT!

Les conséquences d'un entretien, d'un retrait ou d'une modification incorrecte des dispositifs de sécurité, du commutateur d'allumage, du protège-mains (avant et arrière), du pare-chocs à pointes, du ramasse-chaîne, du guide-chaîne, de la chaîne de scie à faible recul peuvent entraîner un dysfonctionnement des dispositifs de sécurité, augmentant ainsi le risque de blessures graves.

Griffe

Vous pouvez utiliser la griffe intégrée comme point d'appui quand vous effectuez une coupe. Il est conseillé de maintenir fermement le boîtier de la scie quand vous sciez. Lors du sciage, exercez une pression vers l'avant sur la machine jusqu'à ce que les pointes métalliques pénètrent dans le bois ; vous pouvez alors réduire l'effort physique du sciage en faisant déplacer la poignée arrière vers le haut ou vers le bas en direction de la coupe.

Guide-chaîne

De manière générale, les guide-chaînes avec des embouts à petit rayon ont un potentiel réduit de reçu Vous devez utiliser un guide-chaîne et une chaîne adaptée suffisamment longue pour le travail. Les barres plus longues augmentent le risque de perte de contrôle pendant le sciage. Vérifier régulièrement la tension de la chaîne. Lors de la découpe des petites branches (moins que la longueur complète du guide-chaîne), la chaîne peut plus probablement être éjectée si la tension n'est pas correcte.

INSTRUCTIONS CONCERNANT LES TECHNIQUES CORRECTES POUR L'ABATTAGE DE BASE, L'ÉLAGAGE ET LA COUPE TRANSVERSALE

Comprendre les forces dans le bois

Si vous comprenez les pressions directionnelles et les tensions à l'intérieur du bois, vous pouvez réduire les « pincements » ou au moins les anticiper pendant la découpe. La tension dans le bois signifie que les fibres sont retirées et si vous coupez dans cette zone, « l'encoche » ou la découpe a tendance à s'ouvrir lorsque la tronçonneuse passe. Si une bûche est soutenue sur un tréteau et son extrémité n'est pas soutenue, une tension est créée sur la surface supérieure en raison du poids de la bûche en suspens détendant les fibres. De la même manière, la partie inférieure de la bûche sera en compression et les fibres sont rassemblées. Si une coupe est faite dans cette zone, la rainure a tendance à se fermer pendant la coupe. Cela pince la lame.

Ébranchage

L'ébranchage consiste à couper les branches d'un arbre abattu. Lors de l'ébranchage, laissez les grosses branches inférieures qui servent d'appui à l'arbre et lui permettent de ne pas être en contact avec le sol. Coupez les plus petites branches en une seule fois. Il faut couper les branches sous tension du bas vers le haut pour éviter que la scie à élaguer ne se coince.

Sciage de bois sous tension

Le bois sous tension peut être un tronc, une branche, une souche enracinée ou une cèpée qui est plié(e) sous tension par un autre bois et qui revient violemment dès que l'on coupe ou retire l'autre bois.

Dans le cas d'un arbre abattu, il est très probable qu'une souche enracinée retourne violemment à sa position verticale quand on sépare par tronçonnage le tronc de la souche. Faites attention au bois sous tension vu qu'il présente un danger important.

AVERTISSEMENT! Les bois sous tension sont dangereux et peuvent frapper l'opérateur, entraînant sa perte de contrôle de la scie à élaguer. Cela peut entraîner des blessures graves ou fatales de l'opérateur. Cela doit être effectué par des utilisateurs entraînés.

UTILISATION CONFORME AUX PRESCRIPTIONS

La scie à élaguer sans fil est uniquement destinée à une utilisation en extérieur.

Pour des raisons de sécurité, la scie à élaguer doit être contrôlée correctement en l'utilisant à deux mains en permanence.

La scie à élaguer est conçue pour couper les branches, les troncs, les bûches et les poutres d'un diamètre déterminé par la longueur de coupe du guide-chaîne. Elle est uniquement conçue pour découper le bois. Elle doit être uniquement utilisée par des adultes ayant été suffisamment formés sur les risques et les mesures préventives à prendre pour l'utilisation de la scie à élaguer.

N'utilisez pas la scie à élaguer à d'autres fins que celles mentionnées plus haut. Ne l'utilisez pas dans le cadre de travaux arboricoles professionnels. Ni les enfants ni les personnes ne portant pas l'équipement et les vêtements de protection individuelle requis ne sont autorisés à utiliser la scie à élaguer.

AVERTISSEMENT! Vous devez vous conformer aux règles de sécurité quand vous utilisez cette scie à élaguer. Pour votre propre sécurité et celle des tiers, veuillez lire ce mode d'emploi avant d'utiliser la scie à élaguer. Nous vous recommandons de suivre un cours professionnel de formation à la sécurité portant sur l'utilisation et l'entretien de la scie à élaguer ainsi que sur les mesures préventives et les premiers secours. Veuillez conserver ce mode d'emploi afin de pouvoir le consulter ultérieurement.

AVERTISSEMENT! Les scies à élaguer sont des outils potentiellement dangereux. Les accidents liés à l'utilisation de scies à élaguer entraînent souvent la perte de membres ou la mort. La scie à élaguer n'est pas le seul danger. Les branches qui tombent, les arbres qui se renversent et les bûches qui roulent peuvent tuer. Le bois malade ou pourri implique des risques supplémentaires. Vous devez évaluer votre capacité à accomplir la tâche en toute sécurité. Si vous avez des doutes, laissez faire un bûcheron professionnel.

Comme déjà indiqué, cette machine n'est conçue que pour être utilisée conformément aux prescriptions.

RISQUES RÉSIDUELS

Même en cas d'utilisation correcte du produit il n'est pas possible d'exclure complètement des risques résiduels. Pendant l'utilisation les risques décrits ci-dessous pourront se présenter et par conséquent l'opérateur devra respecter les normes suivantes:

- Blessure causée par vibration
Toujours utiliser le bon outil pour la tâche à accomplir. Utiliser les bonnes poignées. Limiter le temps de travail et l'exposition.
- Lésions auditives causées par l'exposition au bruit
Porter une protection auditive et limiter l'exposition.
- Blessure causée par le contact avec une dent exposée sur la chaîne
- Blessure causée par l'éjection de parties de la pièce à usiner (copeaux de bois, éclats)
- Blessure causée par la poussière et les particules
- Lésion de la peau causée par des contacts avec des lubrifiants
- Pièces éjectées de la chaîne (risques de coupure/d'injection)
- Mouvement abrupt, imprévisible ou recul du guide-chaîne (« risques de découpe »)

RISQUE DES RISQUES

- Il a été prouvé que les vibrations causées par les outils manuels peuvent entraîner le syndrome de Raynaud chez certains individus. Ces symptômes peuvent inclure des tremblements, l'engourdissement et le blanchiment des doigts, que l'on voit notamment après exposition au froid. Des facteurs héréditaires,

l'exposition au froid et à l'humidité, le régime alimentaire, le tabagisme et les pratiques de travail peuvent contribuer au développement de ces symptômes. Des mesures peuvent être prises par l'opérateur pour réduire les effets des vibrations :

- Garder son corps au chaud lorsqu'il fait froid. Lors de l'opération de l'unité, porter des gants pour garder les mains et les poignets au chaud.
- Après chaque période d'opération, faire de l'exercice pour augmenter la circulation sanguine.
- Faire des pauses fréquentes. Limiter le nombre d'exposition par jour.
- Les gants de protection vendus par les revendeurs professionnels de scies à élaguer sont conçus spécialement pour l'utilisation des scies à élaguer et apportent protection, une bonne prise en main et réduisent également l'effet de vibration des poignées. Ces gants doivent être conformes à la norme EN 381-7 et portés le label CE.

Si vous rencontrez l'un de ces symptômes, consultez immédiatement votre médecin.

AVERTISSEMENT! Des blessures peuvent être causées ou aggravées par l'utilisation prolongée d'un outil. Lorsque vous utilisez un outil quel qu'il soit pendant des périodes prolongées, veillez à faire régulièrement des pauses.

REMARQUE CONCERNANT LES ACCUS LI-ION

Utilisation d'accus Li-Ion

Recharger les accus avant utilisation après une longue période de non utilisation.

Une température supérieure à 50°C amoindrit la capacité des accus. Éviter les expositions prolongées au soleil ou au chauffage.

Tenir propres les contacts des accus et des chargeurs.

Pour une durée de vie optimale, les accus doivent être chargés à fond après l'utilisation.

Pour une plus longue durée de vie, enlever les batteries du chargeur de batterie quand celles-ci seront chargées.

En cas d'entreposage de la batterie pour plus de 30 jours:

Conservez le bloc-piles dans un endroit où la température est inférieure à 27 °C et à l'abri de l'humidité.

Entreposer la batterie avec une charge d'environ 30% - 50%.

Recharger la batterie tous les 6 mois.

Protection des accus Li-Ion

En cas d'une surcharge de l'accu à cause d'une très haute consommation de courant, par exemple suite à des couples extrêmement élevés, un arrêt soudain ou un court-circuit, l'outil électrique vibre pendant 5 secondes, l'indicateur de charge clignote et l'outil électrique se déconnecte automatiquement.

Pour le ré-enclencher, relâcher le poussoir de l'interrupteur, puis enclencher à nouveau l'appareil. Sous des sollicitations extrêmes, l'accu s'échauffe trop fortement. Dans ce cas, tous les témoins de l'indicateur de charge clignotent jusqu'à ce que l'accu se soit refroidi. Il est possible de continuer à travailler dès que l'indicateur de charge s'est éteint.

Transport de batteries lithium-ion

Les batteries lithium-ion sont soumises aux dispositions législatives concernant le transport de produits dangereux.

Le transport de ces batteries devra s'effectuer dans le respect des dispositions et des normes locales, nationales et internationales.

Les utilisateurs peuvent transporter ces batteries sans restrictions.

Le transport commercial de batteries lithium-ion est réglé par les dispositions concernant le transport de produits dangereux. La préparation au transport et le transport devront être effectués uniquement par du personnel formé de façon adéquate. Tout le procédé devra être géré d'une manière professionnelle.

Durant le transport de batteries il faut respecter les consignes suivantes :

S'assurer que les contacts soient protégés et isolés en vue d'éviter des courts-circuits.

S'assurer que le groupe de batteries ne puisse pas se déplacer à l'intérieur de son emballage. Des batteries endommagées ou des batteries perdant du liquide ne devront pas être transportées. Pour tout renseignement complémentaire veuillez vous adresser à votre transporteur professionnel.

CONSIGNES DE TRAVAIL

MONTAGE

Assembler la chaîne et le guide-chaîne

AVERTISSEMENT! Si des pièces sont endommagées ou manquantes, n'utilisez pas la machine avant qu'elles ne soient remplacées. Ne pas respecter cette consigne peut entraîner des blessures physiques graves.

S'assurer que retirer la batterie. Porter des gants de protection!

- Retirer les écrous de montage de la barre en utilisant la clé mixte fournie.
- Retirer le cache de la chaîne.
- Placer la chaîne dans la bonne direction sur la barre et s'assurer que les maillons d'entraînement sont alignés dans la rainure de la barre.
- Attacher la barre à la scie à élaguer et enrouler la barre autour du pignon moteur.
- Remplacer le cache de la chaîne et les écrous de montage de la barre.
- Serrer à la main les écrous de montage de la barre. La barre doit se déplacer librement pour le réglage de la tension de la chaîne.
- Ajuster la tension de la chaîne. Se reposer au paragraphe « Ajuster la tension de la chaîne ».
- Maintenir le bout du guide-chaîne en haut et bien serrer les écrous de montage de la barre.

AVERTISSEMENT! La chaîne est affûtée. Toujours porter des gants de protection lors de la maintenance de la chaîne.

Ajuster la tension de la chaîne

Retirer le bloc-batterie avant de procéder à tout travail sur la scie à élaguer.

Afin d'augmenter la tension de la chaîne, tourner la vis de serrage dans le sens horaire et vérifier fréquemment la tension de la chaîne. Afin de réduire la tension de la chaîne, tourner la vis dans le sens antihoraire et vérifier fréquemment la tension de la chaîne.

La tension de la chaîne est correcte lorsque l'écart entre l'outil de coupe dans la chaîne et la barre est d'environ 6,8 mm. La Trier la chaîne au milieu de la partie inférieure de la barre, vers le bas (en l'éloignant de la barre) et mesurer la distance entre la barre et les outils de coupe de la chaîne. Serrer les écrous de montage de la barre et les tournant dans le sens antihoraire.

Remarque: Ne pas trop tendre la chaîne - une tension excessive entraîne de l'usure et réduit la durée de vie de la chaîne et peut endommager la barre. Les chaînes neuves peuvent se détendre et se desserrer lors de la première utilisation. Retirer le pack de batterie et la vérifier régulièrement la tension de la chaîne pendant les deux premières heures d'utilisation. La température de la chaîne augmente pendant l'exploitation normale ce qui entraîne sa dilatation. Vérifier fréquemment la tension de la chaîne et la régler si nécessaire. Une chaîne tendue à chaud peut être trop serrée après refroidissement. S'assurer que la tension de la chaîne est bien réglée tel que spécifié dans ces instructions.

Ajouter de l'huile de lubrification de chaîne

AVERTISSEMENT! Ne jamais travailler sans lubrifiant. Si la chaîne fonctionne sans lubrifiant, cela peut endommager le guide-chaîne et la chaîne. Il est essentiel de vérifier fréquemment le niveau d'huile dans la jauge et avant d'utiliser la scie à élaguer. Garder le réservoir plein à plus de ¼ pour garantir qu'il y a suffisamment d'huile pour la tâche à effectuer.

Remarque: Il est recommandé d'utiliser de l'huile de chaîne d'origine végétale pour l'élagage des arbres. L'huile minérale peut endommager les arbres. Ne jamais utiliser de l'huile automobile usagée ni des huiles très épaisses. Cela peut endommager la scie à élaguer. Nettoyer la surface autour du capuchon d'huile pour éviter toute contamination.

- Dévisser et retirer le capuchon du réservoir d'huile.
- Verser l'huile dans le réservoir et vérifier la jauge.
- Remettre le capuchon en place et serrer. Essuyer toute projection.

Tenir la scie à élaguer

Toujours tenir la scie à élaguer avec la main droite sur la poignée arrière et la main gauche sur la poignée avant. Attraper les deux poignées avec les pouces et les doigts les encerclant.

Démarrer la scie à élaguer

Avant de démarrer la scie à élaguer, vous devez installer le bloc batterie dans cette dernière.

Protection contre le redémarrage

L'outil électrique est fourni avec une protection contre le redémarrage.

Cela permet d'éviter que l'outil électrique laissé sur Marche démarre de lui-même lorsque le pack accus est installé ou qu'il redémarre après une mise à l'arrêt du pack accus.

Si le guide-chaîne est à l'extérieur du bois, arrêtez la machine et remettez-la en marche pour continuer à travailler.

Si le guide-chaîne est à l'intérieur du bois, attendez que la chaîne de la scie soit à l'arrêt complet. Assurez-vous que l'interrupteur est bien sur Arrêt. Retirez le bloc batterie de la machine et le guide-chaîne de l'entaille. Insérez le bloc batterie puis rallumez la machine pour continuer à travailler.

TRANSPORT ET STOCKAGE

Toujours huiler légèrement la chaîne lors du stockage pour éviter la rouille. Toujours vider le réservoir d'huile lors du stockage pour éviter les fuites.

Arrêter la machine, retirer la batterie et laisser refroidir avant stockage ou transport.

Nettoyer tous les corps étrangers de la machine. Stocker la machine dans un endroit frais, sec et bien ventilé qui est hors de portée des enfants. Tenir éloigné des agents corrosifs comme les produits chimiques de jardinage et les sels dégivants. Ne pas stocker à l'extérieur.

Fixer le cache du guide avant de stocker la machine ou pendant le transport.

Pour le transport dans des véhicules, sécuriser la machine contre tout mouvement et chute pour éviter de blesser les personnes et d'endommager l'outil.

LAVAGE

Éliminez les saletés et les débris des ouvertures. Assurez-vous que la poignée soit propre, sèche et exempte d'huile et de graisses. Effectuez le nettoyage exclusivement avec du savon doux et un chiffon humide, certains agents nettoyants et solvants pouvant endommager les parties en plastique ou protégées. Parmi ces produits néfastes comptent notamment l'essence, la térébenthine, les diluants pour vernis ou peintures, les solvants nettoyants chlorés, l'ammoniac et les détergents ménagers contenant de l'ammoniac. N'utilisez jamais de solvants inflammables ou combustibles à proximité des outils.

ENTRETIEN

AVERTISSEMENT! Utiliser uniquement les accessoires Milwaukee et les pièces détachées Milwaukee.

Ne pas le faire peut entraîner des blessures, une mauvaise performance et rendre la garantie nulle.

Utiliser uniquement les accessoires Milwaukee et les pièces détachées Milwaukee. Faire remplacer les composants dont le remplacement n'a pas été décrit, par un des centres de service après-vente Milwaukee (observer la brochure avec les adresses de garantie et de service après-vente).

AVERTISSEMENT! La maintenance requiert un soin et des connaissances approfondies et doit être uniquement effectuée par un technicien de maintenance qualifié. Pour la maintenance, nous vous suggérons d'apporter votre machine au centre de service après-vente MILWAUKEE le plus proche. Lors de la maintenance, utiliser uniquement des pièces de rechange identiques.

AVERTISSEMENT! Retirer la batterie avant réglage, maintenance ou nettoyage. Ne pas le faire peut entraîner des blessures physiques graves. Vous pouvez uniquement effectuer les ajustements ou réparations décrits dans cette notice. Pour les autres réparations, contacter l'agent de maintenance autorisé.

Des conséquences d'une maintenance incorrecte peut entraîner le dysfonctionnement du frein de chaîne et des autres fonctions de sécurité ce qui augmente le potentiel de blessures graves.

Garder la scie à élaguer entretenue professionnellement et sûre. • Affûter la chaîne en toute sécurité est une tâche complexe. Par conséquent, le fabricant recommande fortement qu'une chaîne usée ou émoussée soit remplacée par une nouvelle, disponible auprès de votre agent de maintenance MILWAUKEE. Le numéro de pièce est disponible dans le tableau de spécification produit dans ce guide.

Respecter les instructions de lubrification, de vérification de la tension de la chaîne et d'ajustement.

Après chaque utilisation, nettoyer la machine avec un tissu doux et sec.

Retirer tous les copeaux, la saleté et les débris dans le compartiment de la batterie.

Vérifier tous les écrous, boulons et vis à intervalles fréquents pour garantir que la machine est en état de travail. Toute pièce endommagée doit être réparée ou remplacée correctement par un centre de service après-vente MILWAUKEE.

Remplacer le guide-chaîne et la chaîne

Porter des gants de protection.

1. retirez le pack accu
2. Retirez le cache du guide-chaîne
3. Retirer les écrous de montage de la barre en utilisant la clé mixte fournie.
4. Retirer le cache de la chaîne.
5. Réduire la tension de la chaîne de la scie. Voir la section "Réglage de la tension de la chaîne".
6. Retirez la chaîne usée avec le guide-chaîne
7. Placer la nouvelle chaîne dans la bonne direction sur la barre et s'assurer que les maillons d'entraînement sont alignés dans la rainure de la barre.
8. Attacher la barre à la scie à élaguer et enrouler la barre autour du pignon moteur.
9. Remettre en place le couvercle du pignon d'entraînement et l'écrou de fixation de la barre.
10. Serrer à la main l'écrou de fixation de la barre.
11. Le guide doit être libre de bouger pour le réglage de la tension de la chaîne.
12. Ajuster la tension de la chaîne. Se reposer au paragraphe « Ajuster la tension de la chaîne ».
13. Maintenir le bout du guide-chaîne en haut et bien serrer les écrous de montage de la barre.

AVERTISSEMENT! Une chaîne émoussée ou mal affûtée peut entraîner une vitesse excessive du moteur pendant la coupe et peut entraîner des dommages graves du moteur.

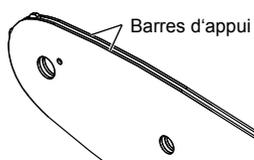
AVERTISSEMENT! Un affûtage incorrect de la chaîne peut entraîner le risque de recul.

AVERTISSEMENT! Ne pas remplacer ou réparer une chaîne endommagée peut entraîner des blessures graves.

AVERTISSEMENT! La chaîne est affûtée. Toujours porter des gants de protection lors de la maintenance de la chaîne.

Entretien de la barre de guidage

Lorsque le guide-chaîne présente des signes d'usure, retournez-le de bas en haut sur la scie afin de répartir l'usure pour une durée de vie maximale du guide-chaîne. La barre doit être nettoyée chaque jour d'utilisation et son usure et ses dommages doivent être vérifiés. Un empennage ou la formation de bavures sur les rails des barres est un processus normal d'usure des barres. De tels défauts doivent être lissés à l'aide d'une lime dès qu'ils se produisent.



Une barre présentant l'un des défauts suivants doit être remplacée.

- Usure à l'intérieur des rails du guide qui permet à la chaîne de se couler sur le côté.
- Barre de guidage courbée.
- Rails fissurés ou cassés.
- Rails écartés.

Lubrifiez les barres de guidage avec un pignon à leur extrémité chaque semaine. À l'aide d'une seringue à graisse, lubrifiez chaque semaine dans le trou de graissage. Tournez la barre de guidage et vérifiez que les trous de lubrification et les rails de la barre sont exempts d'impuretés.

Programme de maintenance

Contrôle quotidien

Lubrification de la barre	Avant toute utilisation
Tension de la chaîne	Avant toute utilisation et fréquemment

Affûtage de la chaîne	Avant toute utilisation, contrôle visuel
-----------------------	--

Pour les pièces endommagées	Avant toute utilisation
Pour les fixations desserrées	Avant toute utilisation
Guide-chaîne	Avant toute utilisation
Tronçonneuse complète	Après chaque utilisation

Pièces de rechange (Barre et chaîne)

Fabricant	MILWAUKEE	OREGON
Chaîne	4932 4801 76	90F033XTR
Guide-chaîne	4932 4801 69	360804

La chaîne doit être fixée avec la barre du même fabricant en respect des combinaisons ci-dessus.

Vue éclatée

Si besoin est, une vue éclatée de l'appareil peut être fournie. S'adresser, en indiquant bien le numéro porté sur la plaque signalétique, à votre station de service après-vente (voir liste jointe) ou directement à Techtronic Industries GmbH, Max-Eyth-Straße 10, 71364 Winnenden, Germany.

SYMBOLES

	Veuillez lire avec soin le mode d'emploi avant la mise en service
	ATTENTION! AVERTISSEMENT! DANGER!
	Avant tous travaux sur l'appareil retirer l'accu interchangeable.
	Ne pas exposer la machine à la pluie.

	Ne pas utiliser à une main
	Toujours utiliser la scie à élaguer à deux mains
	Porter des chaussures de sécurité avec une protection contre la coupure, une semelle antidérapante et des orteils en acier !
	Porter des gants de protection!
	Toujours porter des vêtements de protection et des chaussures robustes.
	Porter un casque de protection. Toujours porter une protection acoustique! Utiliser des lunettes de sécurité.
	Faire attention au recul de la scie à élaguer et éviter tout contact avec le bout de la barre
	Gardez une distance d'au moins 50 m avec les personnes présentes pendant l'utilisation.
	Réservoir d'huile de la chaîne
	Faire pivoter pour ajuster la tension de la chaîne
	Sens de fonctionnement de la chaîne
	Accessoires - Ces pièces ne font pas partie de la livraison. Il s'agit là de compléments recommandés pour votre machine et énumérés dans le catalogue des accessoires.
	Les déchets de piles et les déchets d'équipements électriques et électroniques (déchets d'équipements électriques et électroniques) ne sont pas à éliminer dans les déchets ménagers. Les déchets de piles et les déchets d'équipements électriques et électroniques doivent être collectés et éliminés séparément. Retirez les déchets de piles, les déchets d'accumulateurs et les ampoules des appareils avant de les jeter. S'adresser aux autorités locales ou au détaillant spécialisé en vue de connaître l'emplacement des centres de recyclage et des points de collecte. Selon les réglementations locales, les détaillants peuvent être tenus de reprendre gratuitement les déchets de piles et les déchets d'équipements électriques et électroniques. Contribuez à réduire la demande de matières premières en réutilisant et en recyclant vos déchets de piles et d'équipements électriques et électroniques. Les déchets de piles (surtout les piles au lithium-ion) et les déchets d'équipements électriques et électroniques comportent des matériaux précieux et recyclables qui peuvent avoir des impacts négatifs sur l'environnement et sur votre santé s'ils ne sont pas éliminés de manière écologique. Avant de mettre au rebut votre ancien appareil, supprimez les données personnelles qui pourraient s'y trouver.

	Niveau de puissance acoustique garanti 79 dB(A)
v_0	Vitesse de la chaîne à vide
V	Tension
	Courant continu
	Marque de conformité européenne
	Marque de conformité britannique
	Marque de conformité ukrainienne
	Marque de conformité d'Eurasie

DATI TECNICI		M18 FHS20
Tipo di costruzione	sega da potatura	
Numero di serie	4916 50 01 XXXXX MJJJJ	
Tensione batteria	18 V =	
Velocità della catena a vuoto	4,8 m/s	
Lunghezza della barra max.	8" / 200 mm	
Lunghezza di taglio utile	7,4" / 189 mm	
Capacità del serbatoio olio della catena	77 ml	
Peso secondo la procedura EPTA 01/2014 01/2014 (Li-Ion 2.0 Ah .. 12.0 Ah)	2,8 kg 3,9 kg	
Temperatura ambiente consigliata per il funzionamento	-18 ... +50 °	
Batterie consigliate	M18B...; M18HB...	
Caricatori consigliati	M12-18...; M1418C6	
Informazioni sulla rumorosità: Valori misurati conformemente alla norma EN 62841. La misurazione A del livello di pressione acustica dell'utensile è di solito di:		
Livello di rumorosità / Incertezza della misura K=	81 dB (A) / 3 dB (A)	
Potenza della rumorosità / Incertezza della misura K=	89 dB (A) / 3 dB (A)	
Utilizzare le protezioni per l'udito!		
Informazioni sulle vibrazioni: Valori totali delle oscillazioni (somma di vettori in tre direzionmisurati conformemente alla norma EN 62841		
Valore di emissione dell'oscillazione a _h / Incertezza della misura K=	4,9 m/s ² / 1,5 m/s ²	

AVVERTENZA!

Il/i valore/i di emissione acustica riportato/i in questa scheda informativa sono stati misurati conformemente a un metodo di prova standard sulla base della norma EN 62841 e possono essere utilizzati per confrontare gli utensili tra loro. Può/possono essere utilizzato/i anche per una valutazione preliminare dell'esposizione.

Il livello di vibrazione ed emissione acustica dichiarato rappresenta le applicazioni principali dell'utensile. Tuttavia, se l'utensile è utilizzato per applicazioni diverse, con accessori differenti o una manutenzione non adeguata, la vibrazione e l'emissione acustica potrebbero variare. Ciò può aumentare significativamente il livello di esposizione durante l'intera durata del lavoro.

Una stima del livello di esposizione alle vibrazioni e al rumore dovrebbe tenere conto anche dei periodi in cui l'utensile è spento o è in funzione ma non sta lavorando. Ciò può ridurre significativamente il livello di esposizione durante l'intera durata del lavoro.

Identificare le misure di sicurezza supplementari per proteggere l'operatore dagli effetti delle vibrazioni e/o del rumore, ad esempio eseguendo la manutenzione dell'utensile e degli accessori, mantenendo le mani calde e organizzando gli schemi di lavoro.

Indossare protezioni acustiche adeguate. L'esposizione prolungata al rumore senza protezione può causare danni all'udito.

AVVERTENZA! Leggere tutte le avvertenze di sicurezza, le istruzioni, le illustrazioni e i dati forniti a corredo dell'apparecchio.

In caso di mancata osservanza delle seguenti istruzioni vi è il pericolo di provocare una scossa elettrica, di sviluppare incendi e/o di provocare seri incidenti.

Conservare tutte le avvertenze di pericolo e le istruzioni operative per ogni esigenza futura.

GENERALI AVVERTENZE DI SICUREZZA PER SEGA DA POTATURA

a) Tenere tutte le parti del corpo lontano dalla catena quando la sega da potatura è in funzione. Prima di avviare la sega da potatura, assicurarsi che la catena non stia toccando nulla. Un momento di disattenzione durante l'uso di una sega da potatura può causare l'impigliamento dei vestiti o di parti del corpo nella catena della sega da potatura.

b) Tenere sempre la sega da potatura con la mano destra sull'impugnatura posteriore e la mano sinistra sull'impugnatura anteriore. Tenere la sega da potatura disponendo in modo diverso le mani aumenta il rischio di lesioni personali e si raccomanda pertanto di non farlo in nessun caso.

c) Tenere la sega da potatura solo dalle superfici di presa isolate, poiché la catena della sega da potatura potrebbe entrare in contatto con dei cavi elettrici nascosti. Se la catena dovesse toccare un filo "vivo", ciò potrebbe mettere "sotto tensione" le parti metalliche esposte della sega da potatura e dare una scossa all'operatore.

d) Indossare occhiali protettivi. Si raccomandano anche dispositivi di protezione per l'udito, la testa, le mani, le gambe e i piedi. Un'adeguata attrezzatura protettiva riduce il rischio di lesioni personali dovute a detriti volanti o di contatto accidentale con la catena della motosega.

e) Non azionare una sega da potatura stando su un albero, su una scala, su un tetto o su un supporto instabile. L'azionamento

di una sega da potatura nelle condizioni suddette potrebbe causare gravi lesioni personali.

f) Mantenere sempre un corretto punto di appoggio del piede e mettere in funzione la sega da potatura solamente stando su una superficie solida, sicura e piana. Superfici scivolose o instabili possono causare la perdita dell'equilibrio o del controllo della sega da potatura.

g) Quando si taglia un ramo che è in tensione, prestare attenzione al rischio di un contraccolpo. Quando la tensione delle fibre di legno si rilascia, il ramo sotto carico torna rapidamente all'indietro e può colpire l'operatore e/o far perdere il controllo della sega da potatura.

h) Usare estrema cautela quando si tagliano cespugli e arbusti giovani. I materiali sottili possono incastrarsi nella catena del motosega ed essere proiettati nella direzione dell'operatore o possono fargli perdere l'equilibrio.

i) Trasportare la sega da potatura prendendola per l'impugnatura anteriore quando è spenta e tenendola lontana dal proprio corpo. Quando si trasporta o si conserva la sega da potatura, si deve sempre coprire la barra di guida con la rispettiva copertura. Maneggiare correttamente la sega da potatura riduce la probabilità di contatto accidentale con la catena della sega da potatura.

j) Seguire le istruzioni relative alla lubrificazione, al tensionamento della catena e alla sostituzione della barra e della catena. Una catena non correttamente tensionata o lubrificata può rompersi o aumentare il rischio di contraccolpi.

k) Mantenere le impugnature asciutte, pulite e prive di olio e grasso. Le impugnature grasse o oleose sono scivolose e causano una perdita del controllo.

l) Tagliare esclusivamente legno. Non utilizzare la sega da potatura per usi non previsti. Per esempio: non utilizzare la sega da potatura per il taglio di materiali da costruzione in metallo, plastica, muratura o non in legno. L'uso della sega da

potatura per operazioni diverse da quelle previste potrebbe causare situazioni pericolose.

Seguire tutte le istruzioni per la rimozione di materiale inceppato, la conservazione e la manutenzione della sega da potatura. Assicurarsi che l'interruttore sia spento e che il pacco batteria sia stato rimosso. L'avviamento inaspettato della sega da potatura durante la rimozione di materiale inceppato o la manutenzione può causare gravi lesioni personali.

Cause del contraccolpo e prevenzione da parte dell'operatore:

Il contraccolpo può verificarsi quando la punta o l'estremità della barra di guida tocca un oggetto o quando il legno si richiude incastrandolo nella catena della motosega nella fessura di taglio.

Il contatto della punta può provocare talvolta un'improvvisa reazione di contraccolpo che spinge la barra di guida verso l'alto e quindi indietro verso l'operatore.

Il bloccaggio della catena lungo la parte superiore della barra di guida può spingere rapidamente indietro la barra di guida verso l'operatore.

Entrambe queste reazioni possono causare la perdita del controllo sulla motosega e ciò può causare gravi lesioni personali. Non fare affidamento esclusivamente sui dispositivi di sicurezza integrati nella propria motosega.

Queste reazioni possono far perdere all'operatore il controllo della sega, causando di conseguenza gravi lesioni personali.

L'uso errato della sega da potatura e/o procedure o condizioni d'uso scorrette possono causare contraccolpo. Ciò può essere evitato adottando precauzioni adeguate, come di seguito indicato:

a) Mantenere una presa salda con entrambe le mani sulle impugnatura della sega da potatura e posizionare le braccia e il corpo in modo tale da poter contrastare un eventuale contraccolpo. Le forze del contraccolpo possono essere controllate se l'operatore adotta le giuste precauzioni. Non lasciar andare la sega da potatura.

b) Non sporgersi troppo e non tagliare al di sopra dell'altezza delle spalle. Ciò aiuterà a prevenire un eventuale contatto accidentale della punta e garantirà un migliore controllo della sega da potatura in situazioni inaspettate.

c) Per la sostituzione delle barre guida e delle catene, utilizzare esclusivamente i ricambi specificati dal produttore. La sostituzione con barre di guida e catene non idonee può causare la rottura della catena e/o contraccolpi.

d) Seguire le indicazioni del costruttore per l'affilatura e la manutenzione della motosega. La riduzione dell'altezza del misuratore di profondità comporta un aumento del rischio di contraccolpi.

ULTERIORI AVVISI DI SICUREZZA E DI LAVORO

Prima di utilizzare l'apparecchio per la prima volta, si raccomanda di esercitarsi su ceppi a terra o puntellati su un cavalletto.

Collegamento

Collegare solo con cordini ad assorbimento di energia. Collegare la catena solo all'occhiello del cordino.

Non fissare la corda all'impugnatura, al coperchio della barra di guida o a qualsiasi altro punto della motosega.

Assicurarsi che tutte le protezioni, le impugnature e l'artiglio siano montati correttamente e siano in buone condizioni.

La sega da potatura deve essere utilizzata da persone in buona salute. La sega da potatura è pesante, pertanto l'operatore deve essere fisicamente in forma.

L'operatore deve essere attento, avere una buona vista, agilità, equilibrio e destrezza manuale. In caso di dubbio, non mettere in funzione la sega da potatura.

Prima di iniziare a utilizzare la sega da potatura, provvedere ad un'area di lavoro libera, un appoggio sicuro e predisporre una via di fuga in allontanamento da un albero in caduta. Prestare attenzione all'emissione di nebbia di lubrificante e polvere di segatura.

Indossare, se necessario, una maschera o un respiratore.

Non tagliare viticci e/o arbusti sottili del sottobosco.

Durante l'uso, tenere sempre la sega da potatura con entrambe le mani. Mantenere una presa stabile con i pollici e le dita intorno alle impugnature della sega da potatura. La mano destra deve essere

posta sull'impugnatura posteriore e la mano sinistra sull'impugnatura anteriore.

Prima di avviare la sega da potatura, assicurarsi che la catena della sega non tocchi nessun oggetto.

Non modificare la sega da potatura in alcun modo e non utilizzare nessun accessorio o dispositivo non raccomandato dal produttore della sega da potatura.

All'operatore si raccomanda di avere sempre a portata di mano un kit di pronto soccorso contenente materiale di medicazione per ferite di grandi dimensioni e un mezzo per richiamare l'attenzione (ad es. un fischietto). Un kit completo deve trovarsi a una distanza ragionevole.

Una catena tesa in modo errato può scendere dalla guida e provocare lesioni gravi o mortali. La lunghezza della catena dipende dalla temperatura. Verificare regolarmente la tensione della catena.

Occorre prendere dimestichezza con la nuova sega da potatura a catena praticando tagli semplici in legno fissati in modo sicuro. Ripetere l'operazione ogniqualvolta la sega da potatura a catena non sia stata utilizzata per un periodo prolungato. Per ridurre il pericolo di lesioni derivante dal contatto con le parti in movimento, arrestare sempre il prodotto, rimuovere la batteria e assicurarsi che le parti in movimento siano ferme prima di:

- pulire o eliminare un blocco
- lasciare la macchina incustodita
- montare o smontare accessori
- controllare, eseguire la manutenzione o lavorare sulla macchina

L'estensione dell'area di lavoro dipende dal lavoro da eseguire e dalle dimensioni dell'albero da abbattere o del pezzo da lavorare. Ad esempio, l'abbattimento di un albero richiede un'area di lavoro più ampia rispetto a quella di altri tagli, ad esempio tagli del fusto in ceppi, ecc. L'operatore deve essere conosciuto ed avere il controllo di tutto ciò che accade nell'area di lavoro.

Non tagliare tenendo il proprio corpo in linea con la barra di guida e la catena. La posizione aiuterà a prevenire che la catena entri in contatto con la testa o il corpo nel caso che si verifichi un contraccolpo.

Non eseguire nessun movimento avanti e indietro, lasciare che la catena faccia il lavoro. Mantenere la catena affilata e non tentare di spingere la catena attraverso la fessura di taglio.

Non esercitare pressione sulla sega alla fine del taglio. Prepararsi a reggere il peso della motosega quando sta per fuoriuscire dal legno. L'incoscienza potrebbe causare lesioni personali gravi.

Non fermare la sega durante un'operazione di taglio.

Tenere la motosega in funzione finché non sarà fuoriuscita dalla fessura di taglio. Non bloccare l'interruttore durante il funzionamento manuale.

Prima di iniziare togliere la batteria dalla apparecchiatura.

AVVERTENZA! Per ridurre il rischio d'incendio, di lesioni o di danni all'attrezzatura causati da corto circuito, non immergere mai l'utensile, la batteria ricaricabile o il carica batterie in un liquido e non lasciare mai penetrare alcun liquido all'interno dei dispositivi e delle batterie. I fluidi corrosivi o conduttori come acqua salata, alcuni agenti chimici, agenti candeggianti o prodotti contenenti agenti candeggianti potrebbero provocare un corto circuito.

Le batterie del System M18 sono ricaricabili esclusivamente con i caricatori del System M18. Le batterie di altri sistemi non possono essere ricaricate.

Non aprire né la batteria né il caricatore e conservarli solo in luogo asciutto. Proteggerli dalla umidità.

Spinta e trazione

La forza di reazione è sempre opposta alla direzione in cui si muove la catena. Pertanto, l'operatore deve essere pronto a controllare la tendenza della macchina ad allontanarsi (movimento in avanti) durante il taglio sul bordo inferiore della barra e la spinta all'indietro (verso l'operatore) durante il taglio lungo il bordo superiore.

Sega inceppata nella fessura di taglio

Fermare la sega da potatura e metterla in sicurezza. Non tentare di estrarre con la forza la catena e la barra dalla fessura di taglio, poiché ciò potrebbe causare la rottura della catena, che potrebbe rimbalzare all'indietro e colpire l'operatore. Questa situazione si verifica normalmente perché il legno è puntellato in modo

non corretto e ciò costringe la fessura di taglio a chiudersi per compressione, incastrandosi in tal modo la lama. Se la regolazione del supporto non rilascia la barra e la catena, utilizzare cunei di legno o una leva per aprire la fessura di taglio e liberare la sega da potatura. Non tentare mai di avviare la sega da potatura quando la barra di guida è già in una fessura di taglio o in un'intaccatura.

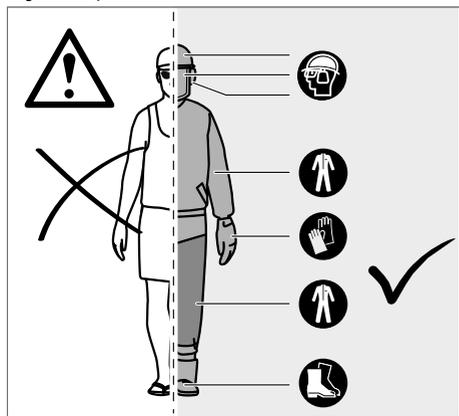
Scivolamento / rimbalzo

Quando la sega da potatura non riesce a penetrare durante un taglio, la barra guida può iniziare a saltellare o a scivolare pericolosamente lungo la superficie del tronco o del ramo, con il rischio di far perdere il controllo della sega da potatura. Per prevenire o ridurre lo scivolamento o il rimbalzo, utilizzare sempre la sega con entrambe le mani. Assicurarsi che la catena della sega crei un incavo per il taglio. Non tagliare mai rami piccoli e flessibili o ramaglia con la sega da potatura. Per le loro dimensioni e la loro flessibilità, possono facilmente far rimbalzare la sega da potatura contro l'operatore o formare dei fasci con una forza sufficiente a causare un contraccolpo. Per questo tipo di lavori, è preferibile usare una sega a mano, cesoie per potatura, un'ascia o altri attrezzi manuali simili.

Dispositivi di protezione personale

Indossare sempre un casco quando si utilizza la macchina. Un casco, dotato di visiera a rete, può aiutare a ridurre il rischio di lesioni al viso e alla testa in caso di un contraccolpo. Utilizzare le protezioni per l'udito!

I dispositivi di protezione individuale di buona qualità, utilizzati dai professionisti, contribuiscono a ridurre il rischio di lesioni per l'operatore. Durante l'utilizzo della macchina, si devono usare i seguenti dispositivi:



Casco di sicurezza

deve essere conforme alla norma EN 397 e avere il marchio CE protezione dell'udito

deve essere conforme alla norma EN 352-1 e avere il marchio CE

Protezione per occhi e viso

deve essere marcato CE e conforme alla norma EN 166 (per occhiali di sicurezza) o alla norma EN 1731 (per visiere a rete)

Guanti

devono essere conformi alla norma EN381-7 e avere il marchio CE

Protezione per le gambe (chaps)

deve essere conforme alla norma EN 381-5, essere marchiato CE e fornire una protezione totale deve essere conforme alla norma EN 381-5, essere marchiato CE e fornire una protezione totale

Calzature di sicurezza con protezione da sega da potatura

devono essere conformi alla norma EN ISO 20345:2004 ed essere contrassegnati con uno scudo raffigurante una sega da potatura per dimostrare la conformità alla norma EN 381-3. (Gli utilizzatori occasionali possono utilizzare stivali di sicurezza con puntale in acciaio con ghettoni protettivi conformi alla norma EN 381-9 se il terreno è uniforme e vi è un rischio minimo di inciampare o di restare impigliati nel sottobosco)

Le giacche antitaglio da sega da potatura per la protezione della parte superiore del corpo

devono essere conformi alla norma EN 381-11 e avere il marchio CE

ACQUISIRE FAMILIARITÀ CON LA SEGA DA POTATURA

- | | |
|---------------------------------------|-----------------------------------|
| 1 Impugnatura posteriore | 11 Artiglio |
| 2 Paramano anteriore | 12 Catena |
| 3 Dispositivo di blocco | 13 Barra di guida |
| 4 Interruttore di alimentazione | 14 Scanalatura della barra |
| 5 Impugnatura posteriore | 15 Catena di trasmissione |
| 6 Tappo per lubrificante della catena | 16 Copertura pignone |
| 7 Serbatoio olio | 17 Vite tendicatena |
| 8 Paramano posteriore | 18 dado di supporto barra |
| 9 Chiave combinata | 19 Copertura della barra di guida |
| 10 Batteria | |

AVVERTENZA!

Le conseguenze di una manutenzione, rimozione o modifica improprie di dispositivi di sicurezza, interruttore di accensione, paramano (anteriore e posteriore), paraurti chiodato, fermacatena, barra di guida e catena a basso contraccolpo possono causare il malfunzionamento dei dispositivi di sicurezza, aumentando così il pericolo di lesioni gravi.

Artiglio

L'artiglio integrato può essere utilizzato come punto di rotazione quando deve essere eseguito un taglio. Durante la segatura è utile mantenere stabile l'alloggiamento della sega. Durante la segatura spingere la macchina in avanti fino a quando i denti metallici non penetrano nello spigolo del legno; quindi, quando si sposta l'impugnatura posteriore verso l'alto o il basso in direzione del taglio, è possibile ridurre lo sforzo fisico per la segatura.

Barra di guida

Generalmente, le barre di guida con punta a raggio ridotto hanno una probabilità leggermente minore di contraccolpo. È necessario utilizzare una barra di guida e una catena adatta di lunghezza sufficiente per il lavoro da eseguire. Le barre più lunghe aumentano il rischio di perdita di controllo durante il taglio. Controllare regolarmente la tensione della catena. Quando si tagliano rami più piccoli (meno dell'intera lunghezza della barra di guida), la catena potrebbe uscire dalla barra, se la tensione non è corretta.

ISTRUZIONI RELATIVE ALLE TECNICHE APPROPRIATE PER L'ABBATTIMENTO, LA SRAMATURA E IL TAGLIO TRASVERSALE

Comprendere le forze che agiscono nel legno

Quando si comprendono le pressioni direzionali e le sollecitazioni che agiscono all'interno del legno, è possibile ridurre il rischio che la catena resti "incastrata" o almeno non farsi cogliere di sorpresa durante il taglio. Tensione nel legno significa che le fibre sono pressate in direzioni opposte e, se si taglia in quella zona, l'"intaglio" o la fessura di taglio tenderanno ad aprirsi mentre la sega le attraversa. Se un tronco è appoggiato su un cavalletto e la sua estremità è sospesa senza supporto oltre il punto terminale, si crea tensione sulla superficie superiore a causa del peso del tronco sporgente che tende le fibre. Allo stesso modo, la parte inferiore del tronco sarà in compressione e le fibre saranno compresse. Se si esegue un taglio in questa zona, la fessura di taglio tenderà a chiudersi durante il taglio. In tal modo, la catena resterà incastrata.

Sramatura di un albero

La sramatura è la rimozione dei rami di un albero abbattuto. Durante la sramatura lasciare i rami inferiori di grandi dimensioni affinché l'albero non entri in contatto con il suolo. Rimuovere i rami di piccole dimensioni con un taglio. I rami che non sono sotto tensione devono essere tagliati dal basso verso l'alto per evitare che la sega da potatura a catena si incastrino.

Segatura di legno teso

Il legno teso è un tronco, ramo, ceppo radicato o pollone mantenuto piegato sotto tensione da altre parti di legno e che scatta indietro una volta tagliate o rimosse le altre parti di legno.

Nel caso di un albero abbattuto è molto probabile che il ceppo radicato scatti di nuovo nella sua posizione eretta quando il tronco si separa dal ceppo durante il taglio. Fare attenzione al legno teso in quanto è molto pericoloso.

AVVERTENZA! Gli alberi giovani in tensione sono pericolosi e possono colpire l'operatore, causando la perdita di controllo della sega da potatura da parte. Ciò può causare lesioni gravi o fatali all'operatore. L'operazione deve essere eseguita da utilizzatori esperti.

UTILIZZO CONFORME

La sega da potatura a batteria è destinata esclusivamente all'utilizzo all'aperto.

Per ragioni di sicurezza, la sega da potatura deve essere adeguatamente controllata utilizzando sempre il comando a due mani.

La sega da potatura è progettata per il taglio di rami, tronchi, ceppi e travi di un diametro determinato dalla lunghezza di taglio della barra di guida. È progettata esclusivamente per tagliare il legno. L'uso è consentito esclusivamente ad adulti che abbiano ricevuto una formazione adeguata sui pericoli e le misure/azioni preventive da adottare durante l'uso della sega da potatura.

Non utilizzare la sega da potatura a catena per scopi diversi da quelli sopra citati. Non ne è consentito l'impiego nell'ambito di interventi di potatura professionale di alberi. Non è consentito l'utilizzo della sega da potatura a catena da parte di bambini o persone che non indossano i necessari dispositivi e indumenti di protezione individuale.

AVVERTENZA! Durante l'utilizzo della sega da potatura a catena è obbligatorio rispettare le regole di sicurezza. Prima di utilizzare la sega da potatura a catena, leggere queste istruzioni per la propria sicurezza personale e per quella delle persone circostanti. Occorre frequentare un corso di sicurezza organizzato da professionisti sull'utilizzo, le misure preventive, il primo soccorso e la manutenzione della sega da potatura a catena. Conservare le istruzioni per consultazioni future.

AVVERTENZA! Le motoseghe sono strumenti potenzialmente pericolosi. Gli incidenti che coinvolgono l'uso di motoseghe causano spesso la perdita degli arti o la morte. Non è solo la sega da potatura che rappresenta il pericolo. I rami cadenti, gli alberi che si rovesciano e i tronchi possono uccidere. Il legname malato o in decomposizione crea ulteriori rischi. Si raccomanda di valutare la propria capacità di eseguire il lavoro in tutta sicurezza. In caso di dubbio, affidare il lavoro a un potatore esperto.

Utilizzare il prodotto solo per l'uso per cui è previsto.

RISCHI RESIDUI

Anche in caso di uso corretto del prodotto non è possibile escludere del tutto i rischi residui. Durante l'uso possono presentarsi i seguenti rischi, per cui l'operatore dovrà rispettare quanto segue:

- Lesioni causate da vibrazioni
Utilizzare sempre lo strumento giusto per il lavoro da eseguire. Utilizzare le impugnature designate. Limitare il tempo di lavoro e l'esposizione.
- Danni all'udito dovuti all'esposizione al rumore
Indossare protezioni per l'udito e limitare l'esposizione.
- Lesioni causate dal contatto con i denti seghettati esposti della catena
- Lesioni causate dalla proiezione di frammenti del pezzo lavorato (trucioli di legno, schegge)
- Lesioni causate da polvere e particelle
- Lesioni alla pelle causate dal contatto con i lubrificanti
- Parti espulse dalla catena della motosega (rischio di taglio / iniezione)
- Movimento improvviso e imprevisto della barra di guida (rischio di taglio).

RIDUZIONE DEL RISCHIO

- Si è riscontrato che le vibrazioni da utensili portatili motorizzati possono provocare in alcuni individui una condizione chiamata Sindrome di Raynaud. I sintomi possono comprendere formicolio, intorpidimento e sbiancamento delle dita, di solito evidenti dopo l'esposizione al freddo. Fattori ereditari, esposizione al freddo e all'umidità, una dieta scorretta, fumo e condizioni di lavoro non sicure possono contribuire all'insorgere dei suddetti sintomi. L'operatore può prendere le seguenti precauzioni per ridurre gli effetti delle vibrazioni:
- Tenere il proprio corpo al caldo in caso di temperature basse. Indossare i guanti quando si mette in funzione l'utensile in modo da tenere mani e polsi caldi.
- Dopo aver utilizzato l'utensile per un certo periodo, fare degli esercizi per stimolare la circolazione del sangue.
- Fare frequenti pause di lavoro. Limitare la quantità di esposizione giornaliera.
- I guanti protettivi disponibili presso i rivenditori di motoseghe professionali sono progettati specificatamente per l'utilizzo di motoseghe, offrono protezione, buona presa e riducono l'effetto delle vibrazioni sull'impugnatura. Questi guanti devono essere conformi alla norma EN 381-7 e devono avere la marcatura CE.

Nel caso che si presentino i sintomi della suddetta condizione, interrompere immediatamente l'utilizzo dell'utensile e consultare un medico.

AVVERTENZA! L'uso prolungato di un utensile può provocare o aggravare lesioni. Quando si usa un utensile per periodi prolungati, si raccomanda di fare delle pause regolari.

NOTE PER BATTERIE AGLI IONI DI LITIO

Uso di batterie agli ioni di litio

Batterie non utilizzate per molto tempo devono essere ricaricate prima dell'uso.

A temperature superiori ai 50°C, la potenza della batteria si riduce.

Evitare di esporre l'accumulatore a surriscaldamento prolungato, dovuto ad esempio ai raggi del sole o ad un impianto di riscaldamento.

Per una ottimale vita utile è necessario ricaricare completamente le batterie dopo l'uso.

Per una più lunga durata, rimuovere le batterie dal caricabatterie quando saranno cariche.

In caso di immagazzinaggio della batteria per più di 30 giorni:

Conservare il pacco batteria in un luogo con una temperatura inferiore a 27°C e al riparo dall'umidità

Immagazzinare la batteria con carica di circa il 30% - 50%.

Ricaricare la batteria ogni 6 mesi.

Protezione contro il sovraccarico di batterie agli ioni di litio

In caso di sovraccarico dell'accumulatore dovuto ad un consumo molto elevato di corrente, ad es. momenti di coppia estremamente elevati, arresto improvviso o corto circuito, l'utensile elettrico vibra per 5 secondi, il display di carica lampeggia e l'elettrotensile si spegne automaticamente.

Per riaccenderlo rilasciare l'interruttore e poi riaccenderlo. Se sottoposto a sollecitazioni estreme l'accumulatore si riscalda eccessivamente. In questo caso lampeggiano tutte le spie del display di carica finché l'accumulatore non è raffreddato. Quando il display di carica si spegne si può continuare a lavorare.

Trasporto di batterie agli ioni di litio

Le batterie agli ioni di litio sono soggette alle disposizioni di legge sul trasporto di merce pericolosa.

Il trasporto di queste batterie deve avvenire rispettando le disposizioni e norme locali, nazionali ed internazionali.

Gli utilizzatori possono trasportare queste batterie su strada senza alcuna restrizione.

Il trasporto commerciale di batterie agli ioni di litio è regolato dalle disposizioni sul trasporto di merce pericolosa. Le preparazioni al trasporto ed il trasporto stesso devono essere svolti esclusivamente

da persone idoneamente istruite. Tutto il processo deve essere gestito in maniera professionale.

Durante il trasporto di batterie occorre tenere conto di quanto segue:

Assicurarsi che i contatti siano protetti ed isolati per evitare corto circuiti.

Accertarsi che il gruppo di batterie non possa spostarsi all'interno dell'imballaggio. Batterie danneggiate o batterie che perdono liquido non devono essere trasportate. Per ulteriori informazioni si prega di contattare il proprio trasportatore.

ISTRUZIONI DI LAVORO

MONTAGGIO

Montaggio della catena della motosega e della barra di guida

AVVERTENZA! Se alcune parti sono danneggiate o mancanti, non utilizzare la macchina finché le parti non saranno state sostituite. La mancata osservanza di questa avvertenza può causare gravi lesioni personali.

Assicurarsi che la batteria sia rimossa. Indossare guanti protettivi!

1. Rimuovere i dadi di montaggio della barra usando la chiave combinata di fornitura.
2. Rimuovere il copricatena.
3. Posizionare la catena nella direzione corretta sulla barra e assicurarsi che le maglie motrici siano allineate nella scanalatura della barra.
4. Montare la barra alla sega da potatura e avvolgere la catena attorno al pignone di trascinamento.
5. Sostituire il copricatena e i dadi di montaggio della barra.
6. Serrare a mano i dadi di montaggio della barra. La barra deve essere libera di muoversi per la regolazione della tensione della catena.
7. Regolare la tensione della catena. Fare riferimento alla sezione "Regolazione della tensione della catena".
8. Afferrare la punta della barra di guida e serrare a fondo i dadi di montaggio della barra.

AVVERTENZA! La catena della sega è affilata. Indossare sempre guanti protettivi quando si esegue la manutenzione della catena.

Regolazione della tensione della catena

Prima di eseguire qualsiasi intervento sulla catena, rimuovere il pacco batteria.

Per aumentare la tensione della catena, ruotare la manopola di regolazione del tensionatore della catena in senso orario e controllare frequentemente la tensione della catena. Per ridurre la tensione della catena, ruotare la manopola di regolazione del tensionatore catena in senso antiorario e controllare frequentemente la tensione della catena.

La tensione della catena è corretta quando lo spazio tra il tagliante nella catena e la barra è di circa 6,8 mm. Tirare la catena nella parte centrale inferiore della barra verso il basso (allontanandola dalla barra) e misurare la distanza tra la barra e il tagliante della catena. Serrare i dadi di fissaggio della barra ruotandolo in senso antiorario.

Avviso: Evitare un eccessivo tensionamento della catena: la tensione eccessiva causa un'usura eccessiva, riduce la durata di vita utile della catena e può danneggiare la barra. Nuove catene possono allungarsi e allentarsi durante l'uso iniziale. Rimuovere il pacco batteria e controllare frequentemente la tensione della catena durante le prime due ore di utilizzo. Durante il normale funzionamento, la temperatura della catena aumenta causando l'allungamento della catena. Controllare frequentemente la tensione della catena e regolarla secondo necessità. Una catena tensionata mentre è calda potrebbe essere troppo stretta dopo il raffreddamento. Assicurarsi che la tensione della catena sia regolata correttamente come specificato in queste istruzioni.

Rabbocco dell'olio lubrificante per catene

AVVERTENZA! Non lavorare mai senza lubrificante per catene. Se la catena della sega da potatura funziona senza lubrificante, ciò può danneggiare sia la barra di guida che la catena. È fondamentale controllare frequentemente il livello dell'olio nell'indicatore del livello dell'olio e prima di iniziare a utilizzare la sega da potatura. Mantenere il serbatoio pieno per più di ¼ in modo che sia garantita la disponibilità di una quantità di olio sufficiente per il lavoro.

Avviso: Durante la potatura degli alberi, si consiglia di utilizzare un olio per catene a base vegetale. L'olio minerale può danneggiare gli alberi. Non utilizzare mai olii per autoveicoli usati o oli molto densi. Questi potrebbero danneggiare la sega da potatura. Pulire la superficie attorno al tappo dell'olio per evitare contaminazioni.

1. Svitare e rimuovere il tappo dal serbatoio dell'olio.
2. Versare l'olio nel serbatoio dell'olio e controllare l'indicatore del livello dell'olio.
3. Ricollocare il tappo dell'olio e stringerlo. Pulire eventuali fuoriuscite.

Come impugnare la sega da potatura

Tenere sempre la sega da potatura con la mano destra sull'impugnatura posteriore e la mano sinistra sull'impugnatura anteriore. Afferrare entrambe le impugnature con i pollici e le dita stretti attorno alle impugnature.

Avviamento della sega da potatura

Prima di mettere in funzione la sega da potatura, installare al suo interno il pacco batteria.

Protezione dal riavvio

Questo elettrotensile è dotato di una protezione contro il riavvio.

In tal modo si evita l'elettrotensile acceso si avvii da solo quando il pacco batterie è inserito e che si riavvii dopo una disattivazione del pacco batterie.

Se la barra guida si trova all'esterno del legno, spegnere la macchina e poi riaccenderla per proseguire il lavoro.

Se la barra guida si trova all'interno del legno, attendere finché la motosega non si arresti completamente. Accertarsi che l'interruttore sia in posizione off. Rimuovere il pacco batteria dalla macchina e la barra guida dal taglio. Inserire il pacco batterie e riaccendere la macchina per proseguire il lavoro.

TRASPORTO E CONSERVAZIONE

Oliare sempre delicatamente la catena durante l'immagazzinamento per evitare la formazione di ruggine. Svuotare sempre il serbatoio dell'olio prima dell'immagazzinamento per evitare eventuali perdite.

Arrestare la macchina, rimuovere la batteria e lasciarla raffreddare prima di riporla o trasportarla.

Rimuovere dalla macchina tutti i materiali estranei. Conservare la macchina in un luogo fresco, asciutto e ben ventilato, inaccessibile ai bambini. Tenere lontano da agenti corrosivi, come prodotti chimici per giardino e sale antighiaccio. Non conservare all'aperto.

Applicare la copertura della barra di guida prima di conservare la macchina o durante il trasporto.

In caso di trasporto in un veicolo, assicurare la macchina contro il movimento o la caduta per evitare lesioni alle persone o danni alla macchina.

LAVAGGIO E PULIZIA

Rimuovere polvere e residui dalle aperture. Tenere l'impugnatura pulita, asciutta e priva di oli o lubrificanti. Utilizzare soltanto sapone delicato e un panno umido per la pulizia, poiché alcuni detergenti e solventi sono dannosi per i componenti in plastica e le altre parti isolate. Alcuni di questi sono: benzina, trementina, diluente per vernici, diluente nitro, solventi clorurati, ammoniaci e detergenti per uso domestico contenenti ammoniaci. Non utilizzare mai solventi infiammabili o combustibili vicino agli utensili.

MANUTENZIONE

AVVERTENZA! Usare solo accessori Milwaukee e pezzi di ricambio Milwaukee. La mancata osservanza di questa precauzione può causare lesioni, contribuire a prestazioni scadenti e invalidare la garanzia.

Usare solo accessori Milwaukee e pezzi di ricambio Milwaukee. Gruppi costruttivi la cui sostituzione non è stata descritta, devono essere fatti cambiare da un punto di servizio di assistenza tecnica al cliente Milwaukee (vedi depliant garanzial/indirizzi assistenza tecnica ai clienti).

AVVERTENZA! La manutenzione richiede estrema cura e conoscenza e deve essere eseguita esclusivamente da un tecnico di assistenza qualificato. Per la manutenzione, si consiglia di portare la macchina presso il Centro assistenza MILWAUKEE più vicino per la riparazione. Durante la manutenzione, utilizzare solo parti di ricambio identiche.

AVVERTENZA! Rimuovere la batteria prima di eseguire la regolazione, la manutenzione o la pulizia. L'inosservanza potrebbe causare lesioni personali gravi. È consentito effettuare solo regolazioni o riparazioni descritte in questo manuale. Per altre riparazioni, contattare il Centro assistenza autorizzato.

Una manutenzione inadeguata può causare il malfunzionamento del freno della catena e di altri dispositivi di sicurezza, aumentando così il rischio di gravi lesioni.

Eseguire la manutenzione della sega da potatura e mantenerla sicura in modo professionale. • Affilare la catena in modo sicuro è un compito da esperti. Pertanto, il produttore raccomanda vivamente di sostituire una catena usurata o smussata con una nuova, disponibile presso il proprio agente di assistenza MILWAUKEE. Il numero di pezzo è disponibile nella tabella delle specifiche del prodotto in queste istruzioni per l'uso.

Seguire le istruzioni per la lubrificazione e il controllo e la regolazione della tensione della catena.

Dopo ogni utilizzo, pulire la macchina con un panno morbido e asciutto.

Rimuovere schegge, sporco e detriti eventualmente presenti nel vano batteria.

Controllare tutti i dadi, i bulloni e le viti a intervalli frequenti per garantire che la macchina funzioni in condizioni di sicurezza. Ogni parte danneggiata deve essere adeguatamente riparata e ogni sostituzione di parti deve avvenire presso un Centro assistenza MILWAUKEE.

Sostituzione della barra di guida e della catena della motosega
Indossare guanti protettivi.

1. rimuovere il pacco batterie
2. Rimuovere la copertura della barra guida
3. Rimuovere i dadi di montaggio della barra usando la chiave combinata di fornitura.
4. Rimuovere il copricatena.
5. Ridurre la tensione della catena della motosega. Vedere la sezione "Regolazione della tensione della catena".
6. Rimuovere la vecchia catena unitamente alla barra guida
7. Posizionare la nuova catena nella direzione corretta sulla barra e assicurarsi che le maglie motrici siano allineate nella scanalatura della barra.
8. Montare la barra alla sega da potatura e avvolgere la catena attorno al pignone di trascinamento.
9. Riposizionare il coperchio del rocchetto e il dado di montaggio della barra.
10. Stringere con le dita il dado di montaggio della barra.
11. La barra deve essere libera di muoversi per regolare la tensione della catena.
12. Regolare la tensione della catena. Fare riferimento alla sezione "Regolazione della tensione della catena".
13. Afferrare la punta della barra di guida e serrare a fondo i dadi di montaggio della barra.

AVVERTENZA! Una catena smussata o affilata in modo inadeguato può provocare un'eccessiva velocità del motore durante il taglio con conseguenti gravi danni al motore.

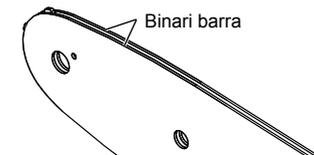
AVVERTENZA! L'affilatura non corretta della catena aumenta il rischio di contraccolpi.

AVVERTENZA! La mancata sostituzione o riparazione di una catena danneggiata può causare gravi lesioni.

AVVERTENZA! La catena della sega è affilata. Indossare sempre guanti protettivi quando si esegue la manutenzione della catena.

Manutenzione guida della barra

Quando la guida della barra mostra segni di usura, capovolverla dal basso verso l'alto sulla sega per distribuire l'usura e massimizzare la durata della barra. La barra deve essere pulita ogni giorno di utilizzo e controllata per verificare l'assenza di usura e danni. La formazione di tagli o sbavature sui binari è un processo normale di usura della barra. Tali difetti devono essere eliminati con una lima non appena si verificano.



Una barra con uno dei seguenti difetti deve essere sostituita.

- Usura all'interno dei binari della barra che consentono alla catena di spostarsi lateralmente.
- Barra di guida piegata.
- Binari incrinati o rotti.
- Binari di diffusione.

Lubrificare settimanalmente le barre di guida con un rocchetto alle loro estremità. Utilizzando una siringa per grasso, lubrificare settimanalmente il foro di uscita dell'olio. Ruotare la barra di guida e verificare che i fori di uscita dell'olio e i binari della barra siano privi di impurità.

Piano di manutenzione

Controllo giornaliero

Lubrificazione della barra	Prima di ogni uso
Tensione della catena	Prima di ogni uso e con frequenza
Affilatura catena	Prima di ogni uso, controllo visivo
Per le parti danneggiate	Prima di ogni uso
Per elementi di fissaggio allentati	Prima di ogni uso
Barra di guida	Prima di ogni uso
Sega completa	Dopo ogni uso

Parti di ricambio (Barra e catena)

Produttore	MILWAUKEE	OREGON
Catena	4932 4801 76	90F033XTR
Barra di guida	4932 4801 69	360804

La catena deve essere montata su una barra dello stesso produttore in base alle combinazioni precedenti.

Disegno in vista esplosa

In caso di mancanza del disegno esplosa, può essere richiesto al seguente indirizzo: Techtronic Industries GmbH, Max-Eyth-Strasse 10, 71364 Winnenden, Germany.

SIMBOLI

	Leggere attentamente le istruzioni per l'uso prima di mettere in funzione l'elettrotensile.
	ATTENZIONE! AVVERTENZA! PERICOLO!
	Prima di iniziare togliere la batteria dalla apparecchio.
	Non esporre la macchina alle intemperie.
	Non usare con una sola mano
	Usare sempre la sega da potatura a due mani
	Indossare scarpe di sicurezza con protezione antitaglio, suola aderente e puntale in acciaio!
	Indossare guanti protettivi!
	Indossare sempre indumenti di protezione e scarpe robuste.
	Indossare un casco protettivo. Utilizzare le protezioni per l'udito! Usare occhiali di sicurezza.
	Prestare attenzione al contraccolpo della sega da potatura ed evitare il contatto con la punta della barra
	Tenere gli astanti ad almeno 50' di distanza durante l'uso.
	Serbatoio olio della catena
	Ruota per regolare la tensione della catena
	Direzione di marcia della catena
	Accessorio - Non incluso nella dotazione standard, disponibile a parte come accessorio.

	I rifiuti di pile e i rifiuti di apparecchiature elettriche ed elettroniche non devono essere smaltiti insieme ai rifiuti domestici. I rifiuti di pile e di apparecchiature elettriche ed elettroniche devono essere raccolti e smaltiti separatamente. Rimuovere i rifiuti di pile e di accumulatori nonché le sorgenti luminose dalle apparecchiature prima di smaltirle. Chiedere alle autorità locali o al rivenditore specializzato dove si trovano i centri di riciclaggio e i punti di raccolta. A seconda dei regolamenti locali, i rivenditori al dettaglio possono essere obbligati a ritirare gratuitamente i rifiuti di pile e i rifiuti di apparecchiature elettriche ed elettroniche. Aiutate a ridurre il fabbisogno di materie prime riutilizzando e riciclando i propri rifiuti di pile e di apparecchiature elettriche ed elettroniche. I rifiuti di pile (specialmente di pile agli ioni di litio) e i rifiuti di apparecchiature elettriche ed elettroniche contengono materiali preziosi e riciclabili che possono avere un impatto negativo sull'ambiente e sulla vostra salute se non vengono smaltiti in modo ecologico. Cancellare tutti i dati personali che potrebbero essere presenti sul vostro rifiuto di apparecchiatura prima di procedere allo smaltimento.
	Livello di potenza sonora garantito 79 dB(A)
v_0	Velocità della catena a vuoto
V	Voltaggio
	Corrente continua
	Marchio di conformità europeo
	Marchio di conformità britannico
	Marchio di conformità ucraino
	Marchio di conformità euroasiatico

DATOS TÉCNICOS	M18 FHS20
Tipo de construcción	sierra de podar
Número de producción	4916 50 01 XXXXXX MJJJJ
Voltaje de batería	18 V ==
Velocidad de la cadena sin carga	4,8 m/s
Longitud del riel de guía máx.	8" / 200 mm
Longitud de corte útil	7,4" / 189 mm
Capacidad del depósito de aceite de la cadena	77 ml
Peso de acuerdo con el procedimiento EPTA 01/2014 01/2014 (Li-Ion 2.0 Ah .. 12.0 Ah)	2,8 kg 3,9 kg
Temperatura ambiente recomendada para la operación	-18 ... +50 °
Juegos de baterías recomendados	M18B...; M18HB...
Cargadores recomendados	M12-18...; M1418C6
Información sobre ruidos: Determinación de los valores de medición según norma EN 62841. El nivel de ruido típico del aparato determinado con un filtro A corresponde a:	
Presión acústica / Tolerancia K=	81 dB (A) / 3 dB (A)
Resonancia acústica / Tolerancia K=	89 dB (A) / 3 dB (A)
Usar protectores auditivos!	
Informaciones sobre vibraciones: Nivel total de vibraciones (suma vectorial de tres direcciones) determinado según EN 62841.	
Valor de vibraciones generadas a_w / Tolerancia K=	4,9 m/s ² / 1,5 m/s ²

ADVERTENCIA!

El nivel de emisión de ruido y vibración indicado en esta hoja informativa se ha medido de acuerdo con una prueba estandarizada que figura en EN 62841 y se puede usar para comparar una herramienta con otra. Puede ser empleado para una evaluación preliminar de la exposición.

El nivel declarado emisión de vibración y ruido representa las principales aplicaciones de la herramienta. Sin embargo, si la herramienta se utiliza para diferentes aplicaciones, con diferentes accesorios o con un mantenimiento deficiente, la emisión de ruido y vibración puede diferir. Esto puede aumentar significativamente el nivel de exposición durante el periodo total de trabajo.

También se debe tener en cuenta una estimación del nivel de exposición a la vibración y el ruido cuando la herramienta está apagada o cuando está funcionando, pero no está haciendo su trabajo. Esto puede reducir significativamente el nivel de exposición durante el periodo total de trabajo.

Identifique medidas de seguridad adicionales para proteger al operador de los efectos de la vibración o el ruido, como realizar mantenimiento de la herramienta y los accesorios, mantener las manos calientes y organizar las pautas de trabajo.

¡Utilice protección auditiva! La exposición a niveles de ruido excesivos puede causar pérdida de audición

ADVERTENCIA! Lea las indicaciones de seguridad, instrucciones, descripciones y datos que se incluyen en el aparato. En caso de no atenerse a las instrucciones siguientes, ello puede provocar una electrocución, incendio y/o lesiones serias. **Guarda todas las advertencias de peligro e instrucciones para futuras consultas.**

GENERALES AVISOS DE SEGURIDAD DE LA SIERRA DE PODAR

- a) Mantenga todas las partes del cuerpo alejadas de la cadena de la sierra de podar cuando la sierra de podar esté en funcionamiento. Antes de arrancar la sierra de podar, asegúrese de que la cadena no esté en contacto con nada. Un momento de descuido mientras se opera una sierra de podar puede causar que su ropa o cuerpo se enrede con la cadena de la sierra de podar.
- b) Sujete siempre la sierra de podar con la mano derecha en el asidero posterior y la izquierda en el asidero delantero. Sujetar la sierra de podar con las manos invertidas aumenta el riesgo de lesiones personales y nunca debe hacerse.
- c) Sujete la sierra de podar únicamente por superficies de agarre aisladas, ya que la cadena de la sierra de podar podría entrar en contacto con cables ocultos. Si la cadena de la sierra de podar entra en contacto con un cable bajo tensión, esto puede hacer que las partes metálicas expuestas de la cadena de la sierra de podar pasen a estar también bajo tensión, lo que puede causar una descarga eléctrica al operario.
- d) Utilice protección ocular. Se recomienda utilizar equipos de protección adicionales para la audición, la cabeza, las manos, las piernas y los pies. Un equipo de protección adecuado reducirá las lesiones personales causadas por los escombros proyectados o por el contacto accidental con la cadena de la motosierra.

- e) No opere una sierra de podar en un árbol, sobre una escalera de mano, desde el tejado o desde cualquier soporte inestable. La operación de una sierra de podar de esta forma podría resultar en lesiones personales graves.
- f) Mantenga siempre una posición de equilibrio adecuada y opere la sierra de podar únicamente cuando se encuentre sobre una superficie fija, segura y nivelada. Las superficies resbaladizas o inestables pueden causar una pérdida de equilibrio o control de la sierra de podar.
- g) Al cortar una rama que está bajo tensión, manténgase alerta para el retroceso (también conocido como contragolpe o "kickback"). Cuando se libera la tensión en las fibras de madera, la rama sometida a la fuerza de retroceso podría impactar contra el operario y/o hacer que se pierda el control de la sierra de podar.
- h) Tenga extremo cuidado al cortar maleza y árboles jóvenes. El material delgado puede quedar atrapado en la cadena de la motosierra y agitarse hacia usted con efecto látigo o hacerle perder el equilibrio.
- i) Lleve la sierra de podar por el asidero delantero con la sierra de podar desconectada y alejada de su cuerpo. Al transportar o almacenar la sierra de podar, fije siempre la cubierta del riel de guía. El manejo apropiado de la sierra de podar reducirá la probabilidad de contacto accidental con la cadena de la sierra de podar en movimiento.
- j) Siga las instrucciones para lubricar, tensar la cadena y cambiar el riel de guía y la cadena. Una cadena mal tensada o mal lubricada puede romperse o aumentar la posibilidad de retroceso.
- k) Mantenga los asideros secos, limpios y libres de aceite y grasa. Los asideros grasientos y aceitosos son resbaladizos, lo que causa la pérdida de control.

I) Corte únicamente madera. No utilice la sierra de podar para usos no previstos. Por ejemplo: no utilice la sierra de podar para cortar metal, plástico, mampostería o materiales de construcción que no sean de madera. El uso de la sierra de podar para operaciones diferentes a las previstas podría resultar en una situación peligrosa.

Siga todas las instrucciones al retirar el material atascado y al almacenar o reparar la sierra de podar. Asegúrese de que el interruptor esté en la posición off y que el paquete de baterías se haya extraído. El accionamiento inesperado de la sierra de podar durante la limpieza de material atascado o el mantenimiento puede ocasionar lesiones personales graves.

Causas del retroceso y prevención del mismo por parte del operario:

El retroceso puede ocurrir cuando la parte frontal o la punta del riel de guía toca un objeto, o cuando la madera se cierra y la cadena de la motosierra queda atrapada en el corte.

En algunos casos, el contacto de la punta puede causar una reacción inversa repentina, produciendo el retroceso del riel de guía hacia arriba y hacia atrás en dirección al operario.

Cuando la cadena de la motosierra queda atrapada a lo largo de la parte superior del riel de guía, esto puede empujar el riel de guía rápidamente hacia atrás en dirección al operario.

Cualquiera de estas reacciones puede hacer que pierda el control de la motosierra, lo cual podría resultar en lesiones personales graves. No confíe exclusivamente en los dispositivos de seguridad incorporados en su motosierra.

Como usuario de una sierra de podar, deberá tomar varias medidas para mantener sus trabajos de corte libres de accidentes o lesiones.

El retroceso es el resultado de un uso inadecuado de la sierra de podar y/o de procedimientos o condiciones de uso incorrectos y puede evitarse tomando las precauciones adecuadas como se indica a continuación:

a) Mantenga un agarre firme, con los pulgares y el resto de los dedos rodeando los asideros de la sierra de podar, con ambas manos sobre la sierra de podar y posicione su cuerpo y el brazo para permitirle resistirse a las fuerzas de retroceso. El operario puede controlar las fuerzas de retroceso si toma las precauciones adecuadas. No suelte la sierra de podar.

b) No sobreextienda la máquina ni corte por encima de la altura del hombro. Esto ayuda a prevenir el contacto involuntario con la punta y permite un mejor control de la sierra de podar en situaciones inesperadas.

c) Utilice únicamente las barras de guía y las cadenas de repuesto especificadas por el fabricante. El reemplazo incorrecto de los rieles de guía y de las cadenas puede causar la rotura y/o el retroceso de la cadena.

d) Siga las instrucciones de afilado y mantenimiento del fabricante para la cadena de la motosierra. Disminuir la altura del calibrador de profundidad puede resultar en un mayor retroceso.

INSTRUCCIONES ADICIONALES DE SEGURIDAD Y LABORALES

Se recomienda cortar los troncos en un caballete para serrar o en un soporte cuando se opere la máquina por primera vez.

Amarrar

Amarrar solo con cuerdas de absorción de energía. Fijar el amarre solamente al bucle de la cuerda.

No fije la correa al mango, a la cubierta de la barra guía ni a cualquier otro punto de la herramienta.

Asegúrese de que todas las protecciones, los asideros y las púas de tope estén bien colocados y en buenas condiciones.

Las personas que utilicen la sierra de podar deben disfrutar de buena salud. La sierra de podar es pesada, por lo que el operario debe estar en buena forma física.

El operario debe estar alerta y contar con una buena visión, movilidad, equilibrio y destreza manual. En caso de duda, no utilice la sierra de podar.

No empiece a usar la sierra de podar hasta que disponga de un área de trabajo despejada, una posición de equilibrio segura y una ruta de retirada planificada para alejarse de un árbol en caída. Tenga cuidado con la emisión de neblina de lubricante y polvo de

serrín. Si fuera necesario, utilice una máscara o respirador.

No corte vides y/o sotobosque pequeños.

Sujete siempre la sierra de podar con ambas manos durante el funcionamiento. Mantenga una agarre firme con los pulgares y los demás dedos envolviendo los asideros de la sierra de podar. La mano derecha debe estar en el asidero posterior y la mano izquierda en el asidero delantero.

Antes de arrancar la sierra de podar, asegúrese de que la cadena de la sierra de podar no entre en contacto con ningún objeto.

No modifique la sierra de podar de ninguna manera ni la utilice para accionar accesorios o dispositivos no recomendados por el fabricante para su sierra de podar.

Se debe disponer de un botiquín de primeros auxilios que contenga apósitos de gran tamaño para heridas y un medio para llamar la atención (por ejemplo, un silbato) en las proximidades del operario. Se deberá disponer de un kit más grande y completo razonablemente cerca.

Una cadena tensada de forma incorrecta puede saltar del riel de guía y provocar lesiones graves o incluso la muerte. La longitud de la cadena depende de la temperatura. Revise la tensión periódicamente.

Debe acostumbrarse a su nueva sierra de podar haciendo cortes simples en madera sostenida firmemente. Haga esto siempre cuando lleve sin utilizar la sierra de podar durante algún tiempo. Para reducir el riesgo de lesión asociado al contacto con piezas móviles, detenga siempre el motor, retire la batería y asegúrese de que todas las piezas móviles se hayan detenido antes:

- Limpiar o eliminar un bloqueo
- Dejar la máquina desatendida
- Instalar o retirar los accesorios
- Comprobar, realizar el mantenimiento o trabajar en la máquina

El tamaño del área de trabajo depende del trabajo que se realice, así como del tamaño del árbol o de la pieza de trabajo en cuestión. Por ejemplo, talar un árbol requiere un área de trabajo más grande que hacer otros cortes, por ejemplo, cortes de tronzado, etc. El operario necesita estar atento y tener el control de todo lo que ocurre en el área de trabajo.

No corte con el cuerpo alineado con el riel de guía y la cadena. Si experimenta un retroceso, esto le ayudará a evitar que la cadena entre en contacto con su cabeza o cuerpo.

No utilice un movimiento de serrado hacia delante y hacia atrás, deje que la cadena haga el trabajo. Mantenga la cadena afilada y no intente empujarla a través del corte.

No presione la sierra al final del corte. Esté listo para asumir el peso de la motosierra una vez se libere de la madera al finalizar el corte. Si no lo hace, esto podría resultar en lesiones personales graves.

No detenga la sierra en medio de una operación de corte.

Mantenga la motosierra en marcha hasta que se haya liberado de la madera a cortar. En cortes manuales ni se puede ni se debe enclavar el interruptor de forma fija, para prevenir accidentes.

Retire la batería antes de comenzar cualquier trabajo el aparato.

⚠ ADVERTENCIA! Para reducir el riesgo de incendio, lesiones personales y daños al producto debido a un cortocircuito, no sumerja nunca la herramienta, el paquete de baterías o el cargador en líquido ni permita que fluya un fluido dentro de ellos. Los fluidos corrosivos o conductivos, como el agua de mar, ciertos productos químicos industriales y blanqueadores o lejías que contienen, etc., Pueden causar un cortocircuito.

Recargar solamente los acumuladores del Sistema M18 en cargadores M18. No intentar recargar acumuladores de otros sistemas.

No abra nunca las baterías ni los cargadores y guárdelos sólo en lugares secos. Protéjalos de la humedad en todo momento.

Empujar y tirar

La fuerza de reacción es siempre opuesta a la dirección en la que se mueve la cadena. Por lo tanto, el operario debe estar listo para controlar la tendencia a que la máquina se aleje (movimiento hacia adelante) al cortar en el borde inferior del riel de guía y el empuje hacia atrás (hacia el operario) al cortar a lo largo del borde superior.

Motosierra atascada en el corte

Detenga la sierra de podar y asegúrela. No trate de forzar la cadena ni el riel de guía para que salgan del corte, pues es probable que esto rompa la cadena, la cual puede retroceder y golpear al operario. Esta situación ocurre normalmente porque la madera está fijada de forma incorrecta, lo que obliga al corte a cerrarse bajo compresión, atascando la hoja. Si al ajustar el soporte no se libera el riel de guía ni la cadena, utilice cuñas de madera o una palanca para abrir el corte y soltar la sierra de podar. No intente nunca arrancar la sierra de podar cuando el riel de guía se encuentre en un corte o muesca de sierra.

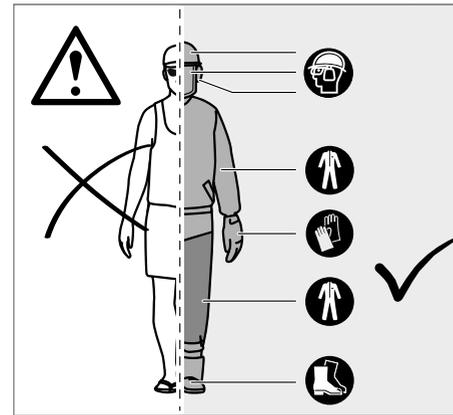
Deslizamiento / Rebote

Si la sierra de podar es incapaz de introducirse durante un corte, el riel de guía puede empezar a rebotar o deslizarse peligrosamente a lo largo de la superficie del tronco o la rama del árbol, lo que puede ocasionar la pérdida de control sobre la sierra de podar. Para evitar o reducir el deslizamiento o el rebote, utilice siempre la sierra de podar con ambas manos y asegúrese de que la cadena de la sierra de podar forme una ranura para el corte. Nunca corte ramas pequeñas y flexibles o maleza con la sierra de podar. El tamaño y la flexibilidad fácilmente pueden hacer que la sierra de podar rebote hacia usted o acumular suficiente fuerza para causar un retroceso. Las mejores herramientas para este tipo de trabajo son una sierra manual, tijeras de jardín, hachas u otras herramientas manuales.

Equipos de protección individual

Utilice un casco en todo momento al operar la máquina. Un casco, equipado con visor de malla, puede ayudar a reducir el riesgo de lesiones en el rostro y la cabeza si se produce un retroceso. Usar protectores auditivos!

El equipo de protección individual de buena calidad utilizado por profesionales ayuda a reducir el riesgo de lesiones al operario. Se deben utilizar los siguientes artículos al operar la máquina:



Casco de seguridad

Debe cumplir con la norma EN 397 y contar con el marcado CE

Protección auditiva

Debe cumplir la norma EN 352-1 y contar con el marcado CE

Protección ocular y facial

Deben contar con el marcado CE y cumplir con la norma EN 166 (para gafas de seguridad) o la norma EN 1731 (para visores de malla)

Guantes

Debe cumplir con la norma EN381-7 y contar con el marcado CE

Protección para piernas (chaps)

Debe cumplir con la norma EN 381-5, contar con el marcado CE y proporcionar protección en todo su perímetro. Debe cumplir con la norma EN 381-5, contar con el marcado CE y proporcionar protección en todo su perímetro

Calzado de seguridad para sierras de podar

Debe cumplir con la norma EN ISO 20345:2004 y estar marcado con una ilustración de una sierra de podar para demostrar que

se cumple la norma EN 381-3 (los usuarios ocasionales pueden utilizar calzado de seguridad con punteras de acero y polainas de protección para cumplir con la norma EN 381-9 si el suelo está nivelado y hay poco riesgo de tropezar o de enredarse en los arbustos)

Chaquetas de sierras de podar para proteger la parte superior del cuerpo

Deben cumplir con la norma EN 381-11 y contar con el marcado CE

FAMILIARÍCESE CON SU SIERRA DE PODAR

1	Empuñadura frontal	11	Púa de tope
2	Protección delantera para manos	12	Cadena de la motosierra
3	Dispositivo de cierre	13	Riel de guía
4	Interruptor de encendido	14	Ranura del riel de guía
5	Asidero posterior	15	Eslabones de la cadena
6	Tapa del lubricante de la cadena	16	Cubierta de la rueda de la cadena
7	Depósito de aceite para la cadena	17	Tornillo tensor de la cadena
8	Protector posterior de manos	18	Tuerca de montaje de la barra
9	Llave combinada	19	Cubierta del riel de guía
10	Batería		

⚠ ADVERTENCIA!

Las consecuencias de un mantenimiento inadecuado, la eliminación o modificación de los elementos de seguridad, el interruptor de encendido, el protector de manos (delantero y trasero), el tope de garra, el colector de cadena, la barra de guía y la sierra de cadena de bajo retroceso pueden hacer que los elementos de seguridad no funcionen correctamente, aumentando así el riesgo de sufrir lesiones graves.

Púa de tope

La púa de tope integrada puede utilizarse como punto de giro al hacer un corte. Esto ayuda a mantener estable el cuerpo de la sierra de podar al cortar. Al serrar, presione la máquina hacia adelante hasta que los dientes penetren en el borde de la madera, pues, al mover el asidero posterior hacia arriba o hacia abajo en la dirección de la línea de corte, esto puede ayudar a reducir el esfuerzo físico sobre la sierra de podar.

Riel de guía

En general, los rieles de guía con puntas de radio pequeño tienen un menor potencial de retroceso. Debe utilizar un riel de guía con una cadena a juego que sea lo suficientemente larga para el trabajo. Los rieles de guía más largos aumentan el riesgo de pérdida de control durante el serrado. Compruebe periódicamente la tensión de la cadena. Al cortar ramas más pequeñas (más delgadas que la longitud total del riel de guía) existe un mayor riesgo de que la cadena salga proyectada si la tensión no es correcta.

INSTRUCCIONES SOBRE LA TÉCNICA ADECUADA PARA LA TALA, EL DESRAMADO Y EL SERRADO DE MADERA BÁSICOS

Entender las fuerzas en la madera

Si usted entiende las presiones y tensiones direccionales en la madera, puede reducir los "atascos" o al menos estar preparado para ellos al serrar. La tensión en la madera significa que las fibras se separan, y si corta en esta área, la "muesca" o corte tenderá a abrirse mientras está serruchando. Si un tronco está apoyado en un caballete para serrar y no se sostiene un extremo, se crea tensión en la parte superior porque el peso del tronco que sobresale estira las fibras. Del mismo modo, la parte inferior del tronco del árbol está comprimida y las fibras se comprimirán. Cuando se hace una incisión en esta área, la muesca tenderá a cerrarse durante el serrado. Eso atascaría la hoja.

Desramar un árbol

Desramar es eliminar las ramas de un árbol caído. Al desramar, deje las ramas inferiores más grandes para soportar el tronco por encima

del nivel del suelo. Retire las ramas pequeñas en un solo corte. Las ramas bajo tensión deben cortarse desde abajo hacia arriba para evitar que la sierra de podar se atasque.

Corte de madera tensionada

La madera tensionada es cualquier tronco, rama, tocón enraizado o árboles jóvenes que estén doblados a causa de la tensión a la que están sometidos por otra madera, por lo se produce un efecto de resorte si se elimina o se corta la madera que lo sostiene.

En un árbol caído, un tocón enraizado tiene un alto potencial de volver a la posición vertical al zanzarlo para separar el tronco del tocón. Tenga cuidado con la madera tensionada, es peligrosa.

⚠️ ADVERTENCIA! La madera tensionada es peligrosa y podría impactar contra el operario, haciendo que éste pierda el control de la sierra de podar. Esto podría ocasionar lesiones graves o mortales al operario. Este tipo de operaciones solo deben llevarlas a cabo usuarios capacitados.

APLICACIÓN DE ACUERDO A LA FINALIDAD

La sierra de podar sin cable está diseñada exclusivamente para su uso en exteriores.

Por razones de seguridad, la sierra de podar debe controlarse adecuadamente mediante una operación a dos manos en todo momento.

La sierra de podar está diseñada para cortar ramas, troncos, leños y vigas de un diámetro determinado por la longitud de corte del riel de guía. La sierra de podar está exclusivamente diseñada para cortar madera. Solo debe utilizarse por adultos que hayan recibido una capacitación adecuada sobre los peligros y las medidas preventivas que deben tomarse durante el uso de la sierra de podar.

No utilice la sierra de podar para ningún otro uso que no esté indicado en las condiciones de uso especificadas. No debe utilizarse para servicios profesionales de arboristería. La sierra de podar no debe utilizarse por niños o por personas que no utilicen equipo de protección individual y ropa adecuados.

⚠️ ADVERTENCIA! Al utilizar la sierra de podar se deben respetar las normas de seguridad. Por su propia seguridad y la de los transeúntes, debe leer y comprender completamente estas instrucciones antes de utilizar la sierra de podar. Deberá asistir a un curso de seguridad organizado profesionalmente sobre el uso, las acciones preventivas, primeros auxilios y mantenimiento de sierras de podar. Conserve este manual de instrucciones su uso futuro.

⚠️ ADVERTENCIA! Las sierras de podar son herramientas potencialmente peligrosas. Los accidentes que implican el uso de sierra de podar a menudo resultan en la pérdida de extremidades o en la muerte. No solo es la sierra de podar lo que es peligroso. La caída de ramas, la caída de árboles y los troncos rodantes pueden matar. La madera enferma o podrida presenta peligros adicionales. Deberá evaluar su capacidad de completar la tarea con seguridad. Si existe alguna duda, transmitasela a un arborista profesional.

No utilice este producto para ninguna otra aplicación que no sea su uso normal.

PELIGROS RESIDUALES

Incluso en caso de la utilización correcta del producto no se pueden excluir totalmente los peligros residuales. Durante la utilización del producto se pueden producir los siguientes riesgos, por lo que el usuario debería tener en cuenta lo siguiente:

- Lesiones causadas por vibraciones
Utilice siempre la herramienta adecuada para el trabajo. Utilice los asideros designados. Restrinja el tiempo de trabajo y la exposición.
- Daño auditivo debido a la exposición al ruido
Utilice protección auditiva y limite la exposición.
- Lesiones causadas por el contacto con los dientes expuestos de la cadena de la motosierra
- Lesiones causadas por piezas proyectadas de la pieza de trabajo (virutas de madera, astillas)
- Lesiones causadas por polvo y partículas
- Lesiones en la piel causadas por el contacto con lubricantes
- Piezas de la cadena de la motosierra proyectadas (peligros de

corte/punción)

- Movimiento brusco e imprevisto, o retroceso del riel de guía (peligro de corte)

REDUCCIÓN DE RIESGOS

- Se ha notificado que las vibraciones de las herramientas de mano pueden contribuir a una afección llamada síndrome de Raynaud en ciertos individuos. Los síntomas pueden incluir hormigueo, entumecimiento y escaldado de los dedos, generalmente aparentes al exponerse al frío. Se cree que los factores hereditarios, la exposición al frío y la humedad, la dieta, el tabaquismo y las prácticas laborales contribuyen al desarrollo de estos síntomas. El operario puede tomar medidas para reducir los efectos de las vibraciones:
- Mantenga su cuerpo caliente en climas fríos. Utilice guantes al operar la unidad con el fin de mantener las manos y muñecas calientes.
- Después de cada período de operación, haga ejercicio para aumentar la circulación sanguínea.
- Haga pausas de trabajo frecuentes. Limite la cantidad de exposición por día.
- Los guantes protectores disponibles a través de comerciantes profesionales de sierras de podar están diseñados específicamente para el uso de sierras de podar y proporcionan protección, buen agarre y también reducen el efecto de las vibraciones del asidero. Estos guantes deben cumplir con la norma EN 381-7 y deben contar con la marca CE.

Si experimenta cualquiera de los síntomas de esta condición, interrumpa inmediatamente el uso y consulte a su médico.

⚠️ ADVERTENCIA! Las lesiones pueden estar causadas o verse agravadas por el uso prolongado de una herramienta. Cuando utilice cualquier herramienta durante períodos prolongados, asegúrese de tomar descansos periódicos.

INDICACIONES PARA BATERÍAS DE IONES DE LITIO

Uso de baterías de iones de litio

Las baterías no utilizadas durante cierto tiempo deben ser recargadas antes de usar.

Las temperaturas superiores a 50°C reducen el rendimiento de la batería. Evite una exposición excesiva a fuentes de calor o al sol (riesgo de sobrecalentamiento).

Los puntos de contacto de los cargadores y las baterías se deben mantener limpios.

Para un tiempo óptimo de vida, deberán cargarse las baterías completamente después de su uso.

Para garantizar la máxima capacidad y vida útil, las baterías recargables se deberían retirar del cargador una vez finalizada la carga.

En caso de almacenar la batería recargable más de 30 días:

Guarde la batería en un lugar con una temperatura inferior a 27 °C y lejos de la humedad

Almacenar la batería recargable con un estado de carga del 30% y 50% aproximadamente.

Recargar la batería cada 6 meses.

Protección de sobrecarga de baterías en baterías de iones de litio

En caso de sobrecarga de la batería a causa de un consumo de corriente demasiado elevado, por ejemplo, en momentos de torsión extremadamente altos, de una parada o cortocircuito repentinos; el aparato eléctrico vibra durante 5 segundos, el indicador de carga parpadea y el aparato eléctrico se desconecta automáticamente.

Para conectarlo de nuevo, soltar el botón de encendido y después conectarlo otra vez. Bajo cargas extremas la batería se calienta demasiado. En este caso, todas las luces del indicador de carga parpadean hasta que la batería se enfría. Cuando se apaga el indicador de carga se puede trabajar de nuevo.

Transporte de baterías de iones de litio

Las baterías de iones de litio caen bajo las disposiciones legales

relativas al transporte de mercancías peligrosas.

El transporte de estas baterías recargables debe llevarse a cabo, observando las normas y disposiciones locales, nacionales e internacionales.

Los consumidores pueden transportar estas baterías recargables sin el menor reparo en la calle.

El transporte comercial de baterías recargables de iones de litio por empresas de transportes está sometido a las disposiciones del transporte de mercancías peligrosas. Las preparaciones para el envío y el transporte deben ser llevados a cabo exclusivamente por personas instruidas adecuadamente. El proceso completo debe ser supervisado por personal competente.

Los siguientes puntos se deben observar para el transporte de las baterías recargables:

Se debe asegurar que los contactos estén protegidos y aislados para evitar que se produzcan cortocircuitos.

Preste atención a que el conjunto de baterías recargables no se pueda desplazar dentro del envase. Las baterías recargables deterioradas o derramadas no se deben transportar. Rogamos que para cualquier información adicional se dirija a su empresa de transportes.

INDICACIONES PARA EL TRABAJO

MONTAJE

Montaje de la cadena de la motosierra y del riel de guía

⚠️ ADVERTENCIA! Si hay piezas dañadas o que falten, no utilice la máquina hasta que se sustituyan dichas piezas. La inobservancia de esta advertencia puede ocasionar lesiones personales graves.

Asegúrese de retirar la batería. Usar guantes protectores

1. Retire las tuercas de montaje del riel de guía con la llave combinada suministrada.
2. Retire la cubierta de la cadena.
3. Coloque la cadena en la dirección correcta sobre el riel de guía y asegúrese de que los eslabones de accionamiento estén alineados en la ranura del riel de guía.
4. Fije el riel de guía a la sierra de podar y enrosque la cadena alrededor de la rueda dentada motriz.
5. Sustituya la cubierta de la cadena y las tuercas de montaje del riel de guía.
6. Apriete con los dedos las tuercas de montaje del riel de guía. Este debe poder moverse para ajustar la tensión de la cadena.
7. Ajuste la tensión de la cadena. Consulte la sección "Ajuste de la tensión de la cadena".
8. Sujete la punta del riel de guía hacia arriba y apriete firmemente las tuercas de montaje del riel de guía.

⚠️ ADVERTENCIA! La cadena de la motosierra está afilada. Utilice siempre guantes protectores cuando realice el mantenimiento de la cadena.

Ajuste de la tensión de la cadena

Retire el paquete de baterías antes de realizar cualquier trabajo en la sierra de podar.

Para aumentar la tensión de la cadena, gire el tornillo tensor de la cadena en sentido horario y compruebe la tensión de la cadena periódicamente. Para reducir la tensión de la cadena, gire el tornillo tensor en sentido antihorario y compruebe periódicamente la tensión de la cadena.

La tensión de la cadena es correcta cuando la separación entre los dientes en la cadena y el riel de guía es de unos 6,8 mm. Tire de la cadena en el centro de la parte inferior del riel de guía hacia abajo (alejándola del riel de guía) y mida la distancia entre el riel de guía y los dientes de la cadena. Apriete las tuercas de montaje del riel de guía girándolas en sentido antihorario.

Observación: No tense demasiado la cadena, el exceso de tensión causará un desgaste excesivo y reducirá la vida útil de la cadena y podría dañar el riel de guía. Las nuevas cadenas podrían estirarse y aflojarse durante el uso inicial. Retire el paquete de baterías y compruebe la tensión de la cadena periódicamente durante las

dos primeras horas de uso. La temperatura de la cadena aumenta durante el funcionamiento normal, haciendo que la cadena se estire. Compruebe la tensión de la cadena periódicamente y ajústela según sea necesario. Una cadena tensada mientras está caliente puede estar demasiado apretada al enfriarse. Asegúrese de que la tensión de la cadena esté correctamente ajustada como se especifica en estas instrucciones.

Añadir el aceite lubricante de la cadena

⚠️ ADVERTENCIA! Nunca trabaje sin el lubricante de la cadena. Si la cadena de la sierra de podar funciona sin lubricante, el riel de guía y la cadena de la sierra de podar pueden dañarse. Es imprescindible comprobar periódicamente el nivel de aceite en el indicador de nivel de aceite y antes de empezar a utilizar la sierra de podar. Mantenga el depósito lleno a más de ¼ de su capacidad para asegurar que haya suficiente aceite disponible para el trabajo.

Observación: Se recomienda utilizar un aceite de cadena vegetal para podar árboles. El aceite mineral puede dañar los árboles. No utilice nunca aceites usados para automóviles, ni aceites muy espesos. Esto podría dañar la sierra de podar. Despeje la superficie alrededor de la tapa de aceite para evitar la contaminación.

1. Desenrosque y retire la tapa del depósito de aceite.
2. Vierta el aceite en el depósito de aceite y controle el indicador de nivel de aceite.
3. Vuelva a enroscar la tapa de aceite y apriétela. Limpie cualquier derrame.

Sujetando la sierra de podar

Sujete siempre la sierra de podar con la mano derecha en el asidero posterior y la izquierda en el asidero delantero. Sujete ambos asideros con los pulgares y los dedos rodeándolos.

Arranque de la sierra de podar

Antes de arrancar la sierra de podar, deberá instalar el conjunto de baterías en la sierra de podar.

Protección de reinicio

La herramienta eléctrica se suministra con una protección de reinicio.

Esto evita que la herramienta eléctrica encendida se inicie por sí misma cuando se inserte la batería y que se reinicie después de una función de desconexión de la batería.

Si la barra de guía se encuentra por fuera de la madera, apague la máquina y vuelva a encenderla de nuevo para continuar trabajando.

Si la barra de guía se encuentra dentro de la madera, espere hasta que la cadena de la sierra se haya detenido completamente. Asegúrese de que el interruptor esté en la posición off. Retire el conjunto de baterías de la máquina y la barra de guía del corte. Inserte el conjunto de baterías y, a continuación, vuelva a encender la máquina de nuevo para continuar trabajando.

TRANSPORTE Y ALMACENAMIENTO

Engrase siempre la cadena ligeramente para evitar que se oxide. Vacíe siempre el depósito de aceite durante el almacenamiento para evitar fugas.

Detenga la máquina, retire la batería y déjela enfriar antes de almacenarla o transportarla.

Limpie todos los materiales extraños de la máquina. Almacene la máquina en un lugar fresco, seco y bien ventilado, inaccesible para los niños. Manténgala alejada de agentes corrosivos, como productos químicos para el jardín y sales de deshielo. No la almacene al aire libre.

Monte la tapa del riel de guía antes de almacenar la máquina o durante el transporte.

Para el transporte en vehículos, asegure la máquina contra movimientos o caídas para evitar lesiones personales o daños a la máquina.

LIMPIEZA

Limpie el polvo y los residuos de las aberturas. Mantenga el mango limpio, seco y libre de aceite o grasa. Use solo jabón suave y un paño húmedo para limpiar, ya que ciertos productos de limpieza

Los disolventes son perjudiciales para los plásticos y otras partes aisladas. Algunos de estos incluyen gasolina, aguarrás, diluyente de lacas, diluyente de pintura, solvente de limpieza clorado, amoníaco y detergentes domésticos que contienen amoníaco. Nunca use solventes inflamables o combustibles alrededor de las herramientas.

MANTENIMIENTO

ADVERTENCIA! Utilice solamente accesorios y repuestos Milwaukee. Si no lo hace, esto podría derivar en lesiones, contribuir a un rendimiento deficiente y anular la garantía. Utilice solamente accesorios y repuestos Milwaukee. En caso de necesitar reemplazar componentes no descritos, contacte con cualquiera de nuestras estaciones de servicio Milwaukee (consultar lista de servicio técnicos)

ADVERTENCIA! El mantenimiento requiere un cuidado y conocimiento extremo, y solo debe llevarse a cabo por parte de un técnico de servicio cualificado. Para el servicio, le sugerimos que lleve la máquina a su estación de servicio de MILWAUKEE más cercana para su reparación. Al efectuar el mantenimiento, utilice únicamente piezas de repuesto idénticas.

ADVERTENCIA! Retire la batería antes de realizar los ajustes, el mantenimiento o la limpieza. El no hacerlo podría ocasionar lesiones personales graves. Solo podrá realizar los ajustes o reparaciones descritos en este manual. Para otro tipo de reparaciones, póngase en contacto con el servicio técnico autorizado.

Las consecuencias de un mantenimiento inadecuado pueden causar que el freno de la cadena y otras características de seguridad no funcionen correctamente, aumentando así el potencial de lesiones graves.

Someta su sierra de podar a un mantenimiento profesional y seguro. • Afilar la cadena de forma segura es una tarea cualificada, por lo tanto, el fabricante recomienda encarecidamente que se sustituya una cadena desgastada o desafilada por una nueva, disponible a través de su agente de servicio de MILWAUKEE. El número de la pieza está disponible en la tabla de especificaciones del producto en este manual.

Siga las instrucciones de lubricación y de comprobación y ajuste de la tensión de la cadena.

Después de cada uso, limpie la máquina con un paño suave y seco. Retire cualquier tipo de viruta, suciedad y escombros del compartimiento de la batería.

Revise todas las tuercas, pernos y tornillos periódicamente por motivos de seguridad y para garantizar que la máquina esté en condiciones de funcionamiento seguras. Cualquier pieza dañada debe repararse o sustituirse por parte de una estación de servicio de MILWAUKEE.

Sustitución del riel de guía y de la cadena de la motosierra

Utilice guantes protectores.

1. Retire la batería
2. Retire la cubierta de la barra de guía.
3. Retire las tuercas de montaje del riel de guía con la llave combinada suministrada.
4. Retire la cubierta de la cadena.
5. Reducir la tensión de la cadena de la sierra. Consultar el apartado «Ajuste de la tensión de la cadena».
6. Retire la cadena antigua con la barra de guía.
7. Coloque la nueva cadena en la dirección correcta sobre el riel de guía y asegúrese de que los eslabones de accionamiento estén alineados en la ranura del riel de guía.
8. Fije el riel de guía a la sierra de podar y enrosque la cadena alrededor de la rueda dentada motriz.
9. Volver a colocar la tapa del piñón de transmisión y la tuerca de montaje de la barra.
10. Apretar con los dedos la tuerca de montaje de la barra.
11. La barra debe tener libertad de movimiento para ajustar la tensión de la cadena.

12. Ajuste la tensión de la cadena. Consulte la sección "Ajuste de la tensión de la cadena".

13. Sujete la punta del riel de guía hacia arriba y apriete firmemente las tuercas de montaje del riel de guía.

ADVERTENCIA! Una cadena desafilada o mal afilada puede causar una velocidad excesiva del motor durante el corte, lo cual puede ocasionar daños graves en el motor.

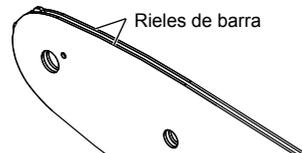
ADVERTENCIA! El afilado incorrecto de la cadena aumenta el potencial de lesiones.

ADVERTENCIA! El no reemplazar o reparar una cadena dañada puede causar lesiones graves.

ADVERTENCIA! La cadena de la motosierra está afilada. Utilice siempre guantes protectores cuando realice el mantenimiento de la cadena.

Mantenimiento de la barra guía

Cuando la barra guía muestre signos de desgaste, voltear la barra guía de abajo arriba en la sierra para distribuir el desgaste y lograr la máxima vida útil de la barra. La barra debe limpiarse todos los días de uso y se debe comprobar si hay desgaste o daños. La formación de biselos o rebabas en los rieles de las barras es un proceso normal del desgaste de las mismas. Estas imperfecciones deben suavizarse con una lima en cuanto se produzcan.



Una barra con cualquiera de los siguientes fallos debe sustituirse.

- Desgaste en el interior de los rieles de la barra, que permite que la cadena se desplace lateralmente.
- Barra guía doblada.
- Rieles agrietados o rotos.
- Rieles abiertos.

Lubricar semanalmente las barras guía con una rueda dentada en su punta. Con una jeringa de grasa, lubricar semanalmente en el orificio de lubricación. Girar la barra de guía y comprobar que los orificios de lubricación y los rieles de la barra estén libres de impurezas.

Programa de mantenimiento

Comprobación diaria

Lubricación del riel de guía	Antes de cada uso
Tensión de la cadena	Antes de cada uso y periódicamente
Afilado de la cadena	Antes de cada uso, comprobación visual
Para piezas dañadas	Antes de cada uso
Para fijaciones sueltas	Antes de cada uso
Riel de guía	Antes de cada uso
Sierra completa	Después de cada uso

Piezas de repuesto (Riel de guía y cadena)

Fabricante	MILWAUKEE	OREGON
Cadena	4932 4801 76	90F033XTR
Riel de guía	4932 4801 69	360804

La cadena debe estar montada con un riel de guía del mismo fabricante según las combinaciones anteriores.

Vista desplegada

En caso necesario, puede solicitar un despiece de la herramienta. Por favor indique el número de impreso que hay en la etiqueta y pida el despiece a la siguiente dirección: Techtronic Industries GmbH, Max-Eyth-Straße 10, 71364 Winnenden, Germany.

SÍMBOLOS

	Lea las instrucciones detenidamente antes de conectar la herramienta
	¡ATENCIÓN! ¡ADVERTENCIA! ¡PELIGRO!
	Retire la batería antes de comenzar cualquier trabajo el aparato.
	No exponga la máquina a la lluvia.
	No utilice con una sola mano
	Utilizar siempre la sierra de podar con las dos manos
	¡Utilice calzado de seguridad con protección contra cortes, suela antideslizante y puntera de acero!
	Usar guantes protectores
	Lleve siempre ropa de protección y calzado resistente.
	Utilice un casco protector. Usar protectores auditivos! Utilice gafas de seguridad.
	Tenga cuidado con el retroceso de la sierra de podar y evite el contacto con la punta del riel de guía
	Mantenga a los presentes a una distancia mínima de 50 pies durante el uso.
	Depósito de aceite para la cadena
	Girar para ajustar la tensión de la cadena
	Sentido de marcha de la cadena
	Accesorio - No incluido en el equipo estándar, disponible en la gama de accesorios.



Los residuos de pilas y de aparatos eléctricos y electrónicos no se deben desechar junto con la basura doméstica. Los residuos de pilas y de aparatos eléctricos y electrónicos se deben recoger y desechar por separado. Retire los residuos de pilas y acumuladores, así como las fuentes de iluminación de los aparatos antes de desecharlos. Infórmese en las autoridades locales o en su distribuidor especializado sobre los centros de reciclaje y los puntos de recogida. Dependiendo de las disposiciones locales al respecto, los distribuidores minoristas pueden estar obligados a aceptar de forma gratuita la devolución de residuos de pilas, aparatos eléctricos y electrónicos. Contribuya mediante la reutilización y el reciclaje de sus residuos de pilas y de aparatos eléctricos y electrónicos a reducir la demanda de materias primas. Los residuos de pilas (sobre todo de pilas de iones de litio) y de aparatos eléctricos y electrónicos contienen valiosos materiales reutilizables que pueden tener efectos negativos para el medio ambiente y su salud si no son desechados de forma respetuosa con el medio ambiente. Antes de desecharlos, elimine los datos personales que podría haber en los residuos de sus aparatos.

	Nivel de potencia sonora garantizado 79 dB(A)
v_0	Velocidad de la cadena sin carga
v	Tensión
	Corriente continua
	Marcado de conformidad europeo
	Marcado de conformidad británico
	Marcado de conformidad ucraniano
	Marcado de conformidad euroasiático

CARACTERÍSTICAS TÉCNICAS		M18 FHS20
Tipo	serra de poda	
Número de produção	4916 50 01 XXXXX MJJJ	
Tensão do acumulador	18 V =	
Velocidade da corrente sem carga	4,8 m/s	
Comprimento da barra no máx.	8" / 200 mm	
Comprimento de corte útil	7,4" / 189 mm	
Capacidade do reservatório de óleo da corrente	77 ml	
Peso nos termos do procedimento-EPTA 01/2014 01/2014 (Li-Ion 2.0 Ah .. 12.0 Ah)	2,8 kg 3,9 kg	
Temperatura ambiente recomendada para a operação	-18 ... +50 °	
Conjuntos de baterias recomendados	M18B...; M18HB...	
Carregadores recomendados	M12-18...; M1418C6	
Informações sobre ruído: Valores de medida de acordo com EN 62841. O nível de ruído avaliado A do aparelho é tipicamente:		
Nível da pressão de ruído / Incerteza K=	81 dB (A) / 3 dB (A)	
Nível da potência de ruído / Incerteza K=	89 dB (A) / 3 dB (A)	
Use protectores auriculares!		
Informações sobre vibração: Valores totais de vibração (soma dos vectores das três direcções) determinadas conforme EN 62841.		
Valor de emissão de vibração a _h / Incerteza K=	4,9 m/s ² / 1,5 m/s ²	

ATENÇÃO!

O nível de emissão de ruído e vibração fornecido nesta ficha de informações foi medido de acordo com um teste padronizado que se encontra na norma EN 62841, podendo ser utilizado para fazer comparações entre ferramentas. Pode ser utilizado para fazer uma avaliação preliminar da exposição.

O nível de emissão de ruído e vibração declarado representa as principais aplicações da ferramenta. No entanto, se a ferramenta for utilizada para aplicações diferentes ou com acessórios distintos, ou se a sua manutenção for deficiente, a emissão de ruídos e vibrações poderá diferir. Isso poderá aumentar significativamente o nível de exposição ao longo do período de trabalho total.

A estimativa do nível de exposição à vibração e ruído também deve ter em conta os tempos em que a ferramenta, quer desligada quer em funcionamento, não está realmente a trabalhar. Isso poderá reduzir significativamente o nível de exposição ao longo do período de trabalho total.

Identifique medidas de segurança adicionais para proteger o operador contra os efeitos da vibração e/ou ruído, tais como: fazer a manutenção da ferramenta e dos acessórios, manter as mãos quentes, organizar padrões de trabalho.

Sempre use a protecção dos ouvidos. A influência de ruídos pode causar surdez.

ATENÇÃO! Ler todas as indicações de segurança, instruções, representações e dados fornecidos juntamente com o aparelho. O desrespeito das seguintes instruções pode levar a um choque eléctrico, incêndio e/ou graves lesões. **Guarde bem todas as advertências e instruções para futura referência.**

GERAIS AVISOS DE SEGURANÇA DA SERRA DE PODA

a) Mantenha todas as partes do corpo afastadas da serra de poda quando esta estiver em funcionamento. Antes de ligar a serra de poda, certifique-se de que ela não está em contacto com nada. Um momento de desatenção durante o funcionamento da serra de poda pode causar emaranhamento da sua roupa ou de partes do corpo na serra de poda.

b) Segure sempre a serra de poda com a sua mão direita na pega traseira e a sua mão esquerda na pega frontal. Segurar a serra de poda com as mãos em posição contrária à indicada aumenta o risco de ferimentos e é algo que nunca deve ser feito.

c) Segure a serra de poda apenas nas superfícies de aderência isoladas, porque a serra de poda pode entrar em contacto com cabos escondidos. As correntes da serra que entrem em contacto com um fio electrificado podem energizar peças de metal expostas da serra de poda e causar um choque eléctrico ao operador.

d) Use protecção ocular. Recomenda-se o uso de equipamento de protecção adicional para ouvidos, cabeça, mãos, pernas e pés. O equipamento de protecção adequado reduz o risco de ferimentos causados pela projecção de detritos ou o contacto accidental com a motosserra.

e) Não utilize a serra de poda numa árvore, em cima de umas escadas, a partir de um telhado ou de qualquer apoio instável. A utilização da serra de poda desta maneira poderia resultar em ferimentos graves.

f) Mantenha sempre um posicionamento correto dos pés e utilize a serra de poda apenas quando estiver sobre uma superfície fixa, segura e nivelada. As superfícies escorregadias ou instáveis podem causar a perda de equilíbrio ou de controlo da serra de poda.

g) Ao cortar um ramo que esteja sob tensão, tenha cuidado para que não ressalte. Quando a tensão nas fibras da madeira é libertada, o ramo sob força de mola pode atingir o operador e/ou atirar a serra de poda descontroladamente.

h) Proceda com extremo cuidado ao cortar moitas e arbustos. O material delgado pode prender a corrente da serra e ser chicoteado na sua direcção ou deixá-lo desequilibrado.

i) Carregue a serra de poda pela pega frontal com a serra de poda desligada e afastada do seu corpo. Ao transportar ou arrumar a serra de poda, coloque sempre a cobertura da barra-guia. O manuseamento correto da serra de poda reduz a probabilidade de contacto accidental com a serra de poda em movimento.

j) Siga as instruções referentes à lubrificação, ao tensionamento da corrente e à troca da barra e da corrente. Um corrente incorretamente esticada ou lubrificada pode partir-se ou aumentar a possibilidade de ressalto.

k) Mantenha as pegas secas, limpas e sem óleo ou gordura. Pegas gordurosas e oleosas são escorregadias e causam perda de controlo.

l) Corte apenas madeira. Não utilize a serra de poda para finalidades não previstas. Por exemplo: não utilize a serra de poda para cortar metal, plástico ou materiais de construção que não sejam de madeira. A utilização da serra de poda para operações diferentes das previstas poderia resultar numa situação de perigo.

Siga todas as instruções ao remover o material encravado, arrumar ou efetuar a manutenção da serra de poda. Certifique-se de que o interruptor está desligado e o bloco da bateria está removido. O acionamento inesperado da serra de poda ao remover material encravado ou efetuar a manutenção pode resultar em ferimentos graves.

Causas de ressalto e prevenção do operador:

O ressalto pode ocorrer quando o nariz ou a ponta da barra-guia toca num objeto, ou quando a madeira fecha-se e aperta a corrente da serra no corte.

O contacto com a ponta pode causar uma reação inversa repentina, empurrando a barra para cima e para trás em direcção ao operador.

Apertar a corrente da serra ao longo o topo da barra-guia pode empurrá-la rapidamente de volta na direcção do operador.

Uma destas reações pode fazê-lo perder o controlo da serra, o que poderia resultar em ferimentos graves. Não confie exclusivamente nos dispositivos de segurança incorporados na sua serra.

Enquanto utilizador da serra de poda, deve tomar várias medidas para que as suas tarefas de corte sejam sem acidentes ou ferimentos.

O efeito de coice resulta da utilização indevida da serra de poda e/ou de procedimentos ou condições de funcionamento incorretos, e pode ser evitado tomando as devidas precauções, conforme indicamos a seguir:

a) Segure firmemente, com os polegares e os dedos a envolver as pegas da serra de poda, com ambas as mãos na serra e posicione o seu corpo e braço de modo que lhe permita resistir a forças de ressalto. As forças de ressalto podem ser controladas pelo operador, caso tenham sido tomadas as devidas precauções. Não largue a serra de poda.

b) Não se estique excessivamente nem corte acima da altura do ombro. Isso ajuda a evitar o contacto indesejado da ponta e permite um melhor controlo da serra de poda em situações inesperadas.

c) Utilize apenas as barras-guia e correntes de substituição especificadas pelo fabricante. Barras e correntes de substituição incorretas podem causar rutura e/ou ressalto da corrente.

d) Siga as instruções de afiação e manutenção do fabricante para a motosserra. Reduzir a altura do calibre de profundidade pode resultar em aumento do ressalto.

INSTRUÇÕES DE SEGURANÇA E TRABALHO SUPLEMENTARES

Recomenda-se cortar os troncos sobre um cavalete de serra ou um apoio ao utilizar a máquina pela primeira vez.

Amarração

Amarração apenas com fitas de absorção de energia. Prenda a amarra apenas ao laço da fita.

Não prenda a correia de sustentação à pega, à cobertura da guia ou a qualquer outro ponto da ferramenta.

Certifique-se de que todos os resguardos, as pegas e o para-choques cravado estão devidamente encaixados e em bom estado.

Os utilizadores da serra de poda deverão ser saudáveis. Uma vez que a serra de poda é pesada, a condição física do operador terá de ser compatível com esse peso.

O operador deve estar alerta, ter uma boa visão, mobilidade, equilíbrio e destreza manual. Em caso de dúvida, não utilize a serra de poda.

Não comece a utilizar a serra de poda enquanto não tiver uma área de trabalho desimpedida, os pés fixos e uma via de fuga planeada afastando-se de uma árvore em queda. Tenha em atenção a emissão de névoa de lubrificante e de serradura. Use uma máscara ou um filtro respiratório, se necessário.

Não corte videiras e/ou pequena vegetação rasteira.

Segure sempre a serra de poda com ambas as mãos durante a operação. Agarre firmemente com os polegares e os dedos a envolverem as pegas da serra de poda. A mão direita deve estar na pega traseira e a sua mão esquerda na pega frontal.

Antes de ligar a serra de poda, certifique-se de que ela não está em contacto com qualquer objeto.

Não modifique a serra de poda de nenhuma forma nem a utilize com acessórios ou dispositivos que não tiverem sido recomendados

pelo fabricante para a sua serra de poda.

Deve existir um kit de primeiros-socorros com compressas grandes e meios para chamar a atenção (por exemplo, um apito) perto do operador. Kit maior e mais abrangente deve estar razoavelmente perto.

Uma corrente esticada incorretamente pode saltar para fora da barra-guia e poderia resultar em ferimentos graves ou fatais. O comprimento da corrente depende da temperatura. Verifique a tensão frequentemente.

Deve familiarizar-se com a sua nova serra de poda efetuando cortes simples em madeira bem suportada. Faça isto sempre que tiver passado algum tempo sem que tenha operado a serra. A fim de reduzir o risco de lesões associadas ao contacto com peças móveis, interrompa sempre o funcionamento do motor, retire a bateria e certifique-se de que todas as peças móveis param de se mover antes de:

- limpar ou remover um bloqueio
- deixar a máquina sem vigilância
- instalar ou remover acessórios
- verificar, efetuar manutenção ou trabalhar na máquina

O tamanho da área de trabalho depende da tarefa a ser realizada, bem como do tamanho da árvore ou peça de trabalho envolvida. Por exemplo, abater uma árvore requer uma área de trabalho maior do que fazer outros cortes, tais como cortes transversais, etc. O operador tem de estar atento e ter sob controlo tudo o que se passa na área de trabalho.

Não faça cortes com o seu corpo em linha com a barra-guia e a corrente. Se sentir ressaltos, isso ajudará a impedir que a corrente entre em contacto com a sua cabeça ou o seu corpo.

Não faça movimentos para trás e para a frente com a serra, deixe a serra fazer o trabalho. Mantenha a serra afiada e não tente empurrar a serra através do corte.

Não exerça pressão na serra na extremidade do corte. Esteja preparado para assumir o peso da serra à medida que vai cortando a madeira. Caso contrário, poderia resultar em possíveis ferimentos graves.

Não pare a serra a meio da operação de corte.

Mantenha a serra a funcionar até que tenha saído do corte. Não bloquear o interruptor quando a máquina for conduzida à mão.

Antes de efectuar qualquer intervenção o aparelho retirar o bloco acumulador.

ATENÇÃO! Para evitar o risco de incêndio, de feridas ou de danificação do produto causado por um curto-circuito, não imerja a bateria intercambiável ou o carregador em líquidos e assegure-se de que líquidos não penetrem nos aparelhos ou nas baterias. Líquidos corrosivos ou condutivos como água salgada, determinadas substâncias químicas ou produtos que contenham branqueadores podem causar um curto-circuito.

Use apenas carregadores do Sistema M18 para recarregar os acumuladores do Sistema M18. Não utilize acumuladores de outros sistemas.

Carregadores só devem ser utilizados em recintos secos.

Empurrar e puxar

A força de reação é sempre oposta à direcção em que a corrente se está a mover. Por isso, o operador deve estar preparado para controlar a tendência da máquina de se afastar (movimento para a frente) ao cortar na borda inferior da barra e de empurrar para trás (em direcção ao operador) ao cortar ao longo da borda superior.

Serra presa no corte

Pare a serra de poda e torne-a segura. Não tente forçar a corrente e a barra para fora do corte, pois isso provavelmente iria partir a corrente, que pode ressaltar e atingir o operador. Esta situação ocorre normalmente porque a madeira está suportada incorretamente, forçando o corte a fechar sob compressão, apertando a lâmina. Se ajustar o suporte não libertar a barra e a corrente, use cunhas de madeira ou uma alavanca para cortar e libertar a serra. Nunca tente ligar a serra de poda quando a barra-guia já está num corte ou sulco.

Patinagem/salto

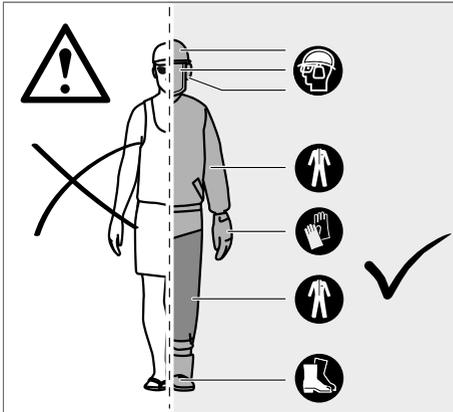
Quando a serra de poda não consegue penetrar durante um corte, a barra-guia pode começar a saltar ou a patinar perigosamente ao

longo da superfície do tronco ou ramo, possivelmente resultando em perda de controlo da serra de poda. Para evitar ou reduzir a patinação ou os saltos, utilize sempre a serra com ambas as mãos e certifique-se de que a serra de poda estabiliza um suco para cortar. Nunca corte ramos pequenos e flexíveis ou moitas com a serra de poda. O seu tamanho e a sua flexibilidade podem facilmente fazer com que a serra salte na sua direção ou prenda com força suficiente para causar um ressalto. A melhor ferramenta para esse tipo de trabalho é uma serra manual, tesoura de poda, um machado ou outras ferramentas manuais.

Equipamento de proteção pessoal

Use sempre um capacete ao utilizar a máquina. Um capacete equipado com viseira de malha pode reduzir o risco de ferimentos na cara e na cabeça, se ocorrer um ressalto. Use protectores auriculares!

Equipamento de proteção pessoal de boa qualidade, como o utilizado pelos profissionais, ajuda a reduzir o risco de ferimentos para o operador. Ao utilizar a máquina, deve-se usar os seguintes itens:



Capacete de segurança

deve estar em conformidade com a norma EN 397 e possuir marcação CE

Proteção auricular

deve estar em conformidade com a norma EN 352-1 e possuir marcação CE

Proteção ocular e facial

deve possuir marcação CE e estar em conformidade com a norma EN 166 (para óculos de proteção) ou EN 1731 (para viseiras de malha)

Luvas

devem estar em conformidade com a norma EN381-7 e possuir marcação CE

Proteção para as pernas (perneiras)

deve estar em conformidade com a norma EN 381-5, possuir marcação CE e fornecer proteção geral deve estar em conformidade com a norma EN 381-5, possuir marcação CE e fornecer proteção geral

Botas de segurança da serra de poda

devem estar em conformidade com a norma EN ISO 20345:2004 e estar marcadas com um escudo que represente uma serra de poda para mostrar conformidade com a norma EN 381-3. (Os utilizadores ocasionais podem usar botas de segurança com biqueira de aço e perneiras de proteção em conformidade com a norma EN 381-9, se o piso for nivelado e se houver pouco risco de se tropeçar ou ficar preso na vegetação rasteira)

Casacos de motosserrista para proteção do corpo superior

devem estar em conformidade com a norma EN 381-11 e possuir marcação CE

CONHEÇA A SUA SERRA DE PODA

- | | |
|--|-----------------------------------|
| 1 Pega frontal | 11 Para-choques cravado |
| 2 Resguardo frontal das mãos | 12 Corrente da serra |
| 3 Dispositivo de bloqueio de segurança | 13 Barra-guia |
| 4 Interruptor | 14 Ranhura de barra |
| 5 Pega traseira | 15 Transmissão por corrente |
| 6 Tampão de lubrificante da corrente | 16 Cobertura da cremalheira |
| 7 Depósito de óleo da corrente | 17 Parafuso de tensão da corrente |
| 8 Proteção traseira da mão | 18 porca de montagem da barra |
| 9 Chave de combinação | 19 Cobertura da barra-guia |
| 10 Bateria | |

ATENÇÃO!

As consequências da manutenção inadequada e da remoção ou modificação dos elementos de segurança, do interruptor de ignição, do resguardo da mão (dianteiro e traseiro), do batente com dentes, do resguardo da corrente, da guia ou da corrente de serra com baixo nível de recuo, podem fazer com que as funcionalidades de segurança não funcionem corretamente, aumentando assim a probabilidade de ocorrência de lesões graves.

Para-choques cravado

O pico de para-choques integral pode ser usado como pivô ao fazer um corte. Isso ajuda a manter firme o corpo da serra de poda durante o corte. Ao cortar, empurre a máquina para a frente até que os picos penetrem na borda da madeira, depois, movendo a pega traseira para cima ou para baixo na direção da linha de corte, isso pode ajudar a aliviar a tensão física do corte.

Barra-guia

Geralmente, as barras-guia com pontas de raio pequeno têm um potencial um pouco menor para ressalto. Deve usar uma barra-guia e uma corrente correspondente que tenha apenas o comprimento suficiente para o trabalho. Barras mais longas aumentam o risco de perda de controlo durante a serragem. Verifique regularmente a tensão da corrente. Ao cortar ramos menores (menos do que o comprimento total da barra-guia), é mais provável que a corrente seja ejetada se a tensão não estiver correta.

INSTRUÇÕES RELATIVAS AS TÉCNICAS ADEQUADAS PARA DERRUBAR, LIMPAR E CORTAR TRANSVERSALMENTE

Compreender as forças no interior da madeira

Se entender as pressões direcionais e as tensões no interior da madeira, pode reduzir os "apertos" ou, pelo menos, prevê-los durante o corte. A tensão na madeira significa que as fibras estão a ser puxadas, sendo separadas e que, se cortar nesta área, o "canal" ou o corte tenderá a abrir-se à medida que a serra passar. Se um tronco estiver a ser suportado sobre um cavalo de serra e a extremidade estiver pendurada sem suporte, é criada tensão na superfície superior devido ao peso do tronco pendente que estica as fibras. Do mesmo modo, a parte inferior do tronco estará em compressão e as fibras são empurradas, juntando-se. Se for feito um corte nesta área, o canal terá a tendência de fechar durante o corte. Isso apertaria a lâmina.

Desramar uma árvore

Desramar é remover os ramos de uma árvore caída. Ao desramar, deixe os membros inferiores maiores para suportar o corte do chão. Remova os membros pequenos num único corte. Os ramos sob tensão devem ser cortados de baixo para cima para evitar prender a serra de poda.

Cortar pedaços de madeira sob tensão

Um pedaço de madeira sob tensão é qualquer tronco, ramo, tronco enraizado ou rebento que esteja curvado sob tensão por outro pedaço de madeira, de modo que salta para trás se o pedaço de madeira que o está a prender for cortado ou removido.

Uma árvore caída, um toco enraizado tem um alto potencial de saltar para a posição vertical durante o corte transversal para separar o tronco do toco. Tenha cuidado com os pedaços de madeira sob tensão — eles são perigosos.

ATENÇÃO! Os pedaços de madeira sob tensão são perigosos e podem atingir o operador, fazendo com que este perca o controlo da serra. Isso pode resultar em ferimentos graves ou fatais para o operador. Esta operação deve ser realizada por utilizadores treinados.

UTILIZAÇÃO AUTORIZADA

A serra de poda sem fios destina-se apenas para utilização ao ar livre.

Por razões de segurança, a serra de poda deve ser controlada de forma adequada, utilizando a operação a duas mãos em todos os momentos.

A serra de poda foi projetada para cortar ramos, troncos, toras e feixes de um diâmetro determinado pelo comprimento de corte da barra-guia. Foi projetada apenas para cortar madeira. Deve ser utilizada apenas por adultos que receberam formação adequada sobre os perigos e as medidas preventivas/ações a serem tomadas durante a utilização da serra.

Não utilize a serra de poda para qualquer finalidade que não esteja listada nas condições de utilização especificadas. Não deve ser utilizada para serviços de árvores profissionais. A serra de poda não deve ser utilizada por crianças ou por pessoas que não estejam a usar equipamento e roupa de proteção pessoal adequados.

ATENÇÃO! Ao utilizar a serra de poda, devem ser seguidas as regras de segurança. Para a sua própria segurança e para a dos transeuntes, deve ler e entender completamente estas instruções antes de operar a serra de poda. Deve participar de um curso profissionalmente organizado sobre segurança na utilização, ações preventivas, primeiros-socorros e manutenção de serras de poda. Guarde estas instruções num local seguro para uso posterior.

ATENÇÃO! As serras de poda são ferramentas potencialmente perigosas. Os acidentes que envolvem a utilização de serras de poda muitas vezes resultam em perda de membros ou morte. O perigo não está apenas na serra de poda. Os ramos que caem, as árvores abatidas e os troncos que rolam podem ser letais. A madeira seca ou danificada apresenta riscos adicionais. Deve avaliar a sua capacidade de concluir a tarefa com segurança. Se tiver alguma dúvida, deixe-a para um cirurgião de árvores profissional.

Não use este produto de outra maneira sem ser a normal para a qual foi concebido.

RISCOS RESIDUAIS

Mesmo se este produto for usado de forma correcta, riscos residuais não podem ser inteiramente excluídos. Os seguintes riscos podem ocorrer na utilização. Por isso, o utilizador deve observar o seguinte:

- Ferimentos causados por vibração
Utilize sempre a ferramenta adequada para o trabalho. Use as pegadas designadas. Limite o tempo de trabalho e a exposição.
- Danos auditivos devido a exposição ao ruído
Use proteção auricular e limite a exposição.
- Ferimentos causados devido a contacto com os dentes expostos da serra da corrente
- Ferimentos causados devido a projeção de pedaços da peça de trabalho (aparas de madeira, estilhaços)
- Ferimentos causados devido a poeira e partículas
- Ferimentos na pele causados devido a contacto com lubrificantes
- Peças ejetadas da corrente da serra (risco de corte/injeção)
- Movimento imprevisto, abrupto ou ressalto da barra-guia (riscos de corte)

REDUÇÃO DE RISCOS

- Foi relatado que as vibrações das ferramentas portáteis podem contribuir para uma condição chamada Síndrome de Raynaud em certos indivíduos. Os sintomas podem incluir formigamento, entorpecimento e branqueamento dos dedos, geralmente aparente após a exposição ao frio. Acredita-se que fatores

hereditários, exposição ao frio e à humidade, dieta, tabagismo e práticas de trabalho contribuem para o desenvolvimento destes sintomas. Existem medidas que o operador pode tomar para possivelmente reduzir os efeitos da vibração:

- Mantenha o seu corpo quente no tempo frio. Ao operar a unidade, use luvas para manter as mãos e os pulsos quentes.
- Após cada período de operação, faça exercícios para aumentar a circulação sanguínea.
- Faça pausas de trabalho frequentes. Limite a quantidade de exposição por dia.
- As luvas de proteção disponíveis nos retalhistas profissionais de serras de poda são projetadas especificamente para a utilização de serra de poda e proporcionam proteção, boa aderência e também reduzem o efeito da vibração da pega. Estas luvas devem estar em conformidade com a norma EN 381-7 e possuir a marcação CE.

Se tiver algum dos sintomas da condição descrita, interrompa imediatamente a utilização e consulte o seu médico.

ATENÇÃO! A utilização prolongada de uma ferramenta pode provocar ou agravar lesões. Ao utilizar qualquer ferramenta por períodos prolongados, certifique-se de que faz pausas regulares.

NOTAS PARA BATERIAS DE IÕES DE LÍLIO

Utilização de iões de lítio

Acumuladores não utilizados durante algum tempo devem ser recarregados antes da sua utilização.

Temperaturas acima de 50°C reduzem a capacidade do bloco acumulador. Evitar exposição prolongada ao sol ou a caloríferos.

Manter limpos os contactos eléctricos no carregador e no bloco acumulador.

Para uma vida útil óptima das baterias, terá que carregá-las plenamente após a sua utilização.

Para assegurar uma vida útil longa, o pacote de bateria deve ser removido da carregadora depois do carregamento.

Se o pacote de bateria for armazenado por mais de 30 dias:

Guarde a bateria num espaço cuja temperatura seja inferior a 27 °C e onde não haja humidade

Armazene o pacote de bateria com aprox. 30%-50% da carga completa.

Carregue o pacote de bateria novamente de 6 em 6 meses.

Proteção contra sobrecarga para baterias de iões de lítio

No caso de sobrecarga da bateria devido a um consumo de corrente demasiado elevado, por exemplo um binário de rotação extremamente elevado, uma paragem repentina ou um curto-circuito, a ferramenta eléctrica vibra durante 5 segundos, o indicador de carregamento de bateria começa a piscar e a ferramenta eléctrica desliga-se automaticamente.

Para a ligar novamente, desligar e voltar a ligar o interruptor Sob condições extremas, a bateria aquece demasiado. Nesse caso, todas as luzes do indicador de carregamento de bateria piscam até que esta arrefeça. Após as luzes do indicador de carregamento de bateria se apagarem, pode-se continuar a trabalhar.

Transporte de baterias de ião-lítio

Baterias de ião-lítio estão sujeitas às disposições da legislação relativa às substâncias perigosas.

O transporte destas baterias deve ser efetuado de acordo com as disposições e os regulamentos locais, nacionais e internacionais.

O utilizador pode efetuar o transporte rodoviário destas baterias sem restrições.

O transporte comercial de baterias de ião-lítio por terceiros está sujeito aos regulamentos relativos às substâncias perigosas. A preparação do transporte e o transporte devem ser executados exclusivamente por pessoas instruídas e o processo deve ser acompanhado pelos especialistas correspondentes.

Observe o seguinte no transporte de baterias:

Assegure-se de que os contactos terminais estejam protegidos e isolados para evitar um curto-circuito.

Assegure-se de que o bloco da bateria esteja protegido contra movimentos na embalagem. Não transporte baterias danificadas ou que tenham fuga. Para instruções mais detalhadas consulte a companhia de transportes

DICAS DE TRABALHO

MONTAGEM

Montagem da corrente da serra e d barra-guia

ATENÇÃO! Se alguma das peças estiver danificada ou em falta, não utilize a máquina até que as peças sejam substituídas. A inobservância deste aviso pode resultar em ferimentos graves.

Certifique-se de que remove a bateria. Use luvas de protecção!

1. Remova as porcas de montagem da barra utilizando a chave de combinação fornecida.
2. Remova a cobertura da corrente.
3. Coloque a corrente na direção correta na barra e certifique-se de que os elos de ligação estejam alinhados na ranhura da barra.
4. Prenda a barra na serra de poda e encaixe a corrente ao redor da roda motora.
5. Substitua a cobertura da corrente e as porcas de montagem da barra.
6. Aperte manualmente as porcas de montagem da barra. A barra deve mover-se livremente para o ajuste da tensão da corrente.
7. Ajuste a tensão da corrente. Consulte a seção "Ajustar a tensão da corrente".
8. Segure a ponta da barra-guia e aperte firmemente as porcas de montagem da barra.

ATENÇÃO! A corrente da serra é afiada. Use sempre luvas de proteção ao realizar a manutenção na corrente.

Ajustar a tensão da corrente

Remova o bloco da bateria antes de fazer qualquer trabalho na serra de poda.

Para aumentar a tensão da corrente, rode o parafuso de tensão da corrente no sentido dos ponteiros do relógio e verifique a tensão da corrente com frequência. Para reduzir a tensão da corrente, rode o parafuso de tensão da corrente no sentido contrário ao dos ponteiros do relógio e verifique a tensão da corrente com frequência.

A tensão da corrente é correta quando o espaço entre o cortador na corrente e a barra é de cerca de 6,8 mm. Puxe a corrente no meio do lado inferior da barra para baixo (afastando-a da barra) e meça a distância entre a barra e os cortadores da corrente. Aperte as porcas de montagem da barra rodando-as no sentido contrário ao dos ponteiros do relógio.

Nota: Não estique demasiado a corrente - o excesso de tensão causa desgaste excessivo e reduz a vida útil da corrente e pode danificar a barra. As correntes novas podem esticar e afrouxar durante a utilização inicial. Remova o bloco da bateria e verifique a tensão frequentemente durante as duas primeiras horas de utilização. A temperatura da corrente aumenta durante o funcionamento normal, fazendo com que a corrente se estique. Verifique a tensão da corrente com frequência e ajuste conforme necessário. Uma corrente esticada enquanto estiver quente pode estar muito apertada após o arrefecimento. Certifique-se de que a tensão da corrente esteja corretamente ajustada conforme especificado nestas instruções.

Adicionar o óleo de lubrificação da corrente

ATENÇÃO! Nunca trabalhe sem lubrificante na corrente. Se a corrente da serra estiver a trabalhar sem lubrificante, a barra-guia e a corrente da serra podem ser danificadas. É essencial verificar frequentemente o nível de óleo no medidor de nível de óleo e antes de começar a utilizar a serra de poda. Mantenha o reservatório mais de ¼ cheio para assegurar a existência de óleo suficiente para o trabalho.

Nota: Recomenda-se usar um óleo para correntes de base vegetal ao podar árvores. O óleo mineral pode ser prejudicial para as árvores. Nunca use óleo automível usado ou óleos muito espessos. Estes poderiam danificar a serra de poda. Limpe a superfície em torno da tampa do óleo para evitar a contaminação.

1. Desaperte e remova a tampa do reservatório de óleo.
2. Deite o óleo no reservatório de óleo e controle o medidor de nível de óleo.
3. Volte a colocar a tampa do óleo e aperte-a. Limpe qualquer derrame.

Segurar a serra de poda

Segure sempre a serra de poda com a sua mão direita na pega traseira e a sua mão esquerda na pega frontal. Agarre ambas as pegas com os polegares e os dedos a envolver as pegas.

Iniciar a serra de poda

Antes de acionar a serra de poda, terá de instalar o conjunto de baterias na mesma.

Interruptor de proteção contra o arranque inadvertido

A ferramenta elétrica está equipada com um interruptor de proteção contra o arranque inadvertido.

Este procedimento impede que a ferramenta elétrica ligada arranque sozinha quando se introduz a bateria e que reinicie após uma função em que a bateria tiver sido desligada.

Se a barra-guia estiver fora da madeira, desligue a máquina e volte a ligá-la, a fim de prosseguir com o trabalho.

Se a barra-guia estiver dentro da madeira, aguarde que a corrente da serra se imobilize totalmente. Certifique-se de que o interruptor está na posição de desligado. Remova o conjunto de baterias da máquina e retire a barra-guia do corte. Introduza o conjunto de baterias e volte a ligar a máquina, a fim de prosseguir com o trabalho.

TRANSPORTE E ARMAZENAMENTO

Lubrifique sempre ligeiramente a corrente ao armazenar, para impedir a ferrugem. Esvazie sempre o reservatório do óleo ao armazenar, para evitar fugas.

Pare a máquina, remova a bateria e deixe arrefecer antes de armazenar ou transportar.

Limpe todos os materiais estranhos da máquina. Armazene a máquina num local fresco, seco e bem ventilado, inacessível para as crianças. Mantenha-a afastada de agentes corrosivos, como produtos químicos para o jardim e sais de degelo. Não a armazene ao ar livre.

Coloque a cobertura da barra-guia antes de armazenar a máquina ou durante o transporte.

Para o transporte em veículos, prenda a máquina contra o movimento ou a queda, para evitar ferimentos a pessoas ou danos na máquina.

LIMPEZA

Limpe as poeiras e detritos das aberturas. Mantenha a pega limpa, seca e livre de óleo ou gorduras. Para limpar, utilize apenas um pano húmido e sabão neutro, uma vez que certos produtos de limpeza e solventes são prejudiciais para os plásticos e outras peças isoladas. Entre esses produtos inclui-se a gasolina, terebentina, diluente para verniz, diluente para tintas, solventes de limpeza à base de cloro, amoníaco e detergentes domésticos que contenham amoníaco. Nunca use solventes inflamáveis ou combustíveis nas proximidades das ferramentas.

MANUTENÇÃO

ATENÇÃO! Utilizar apenas acessórios Milwaukee e peças sobresselentes Milwaukee. Caso contrário, pode causar possíveis ferimentos, contribuir para um mau desempenho e pode anular a sua garantia.

Utilizar apenas acessórios Milwaukee e peças sobresselentes Milwaukee. Os componentes cuja substituição não esteja descrita devem ser substituídos num serviço de assistência técnica Milwaukee (consultar a brochura relativa à garantia/moradas dos serviços de assistência técnica).

ATENÇÃO! A assistência técnica requer cuidados extremos e conhecimentos e deve ser realizada apenas ser um técnico de assistência qualificado. Para isso, sugerimos que leve a máquina à estação de serviço MILWAUKEE mais próxima para reparação.

Para a assistência técnica, use apenas peças de reposição idênticas.

ATENÇÃO! Remova a bateria antes de efetuar o ajuste, a manutenção ou a limpeza. Caso contrário, poderia resultar em ferimentos graves. Apenas pode fazer os ajustes ou reparações descritos neste manual. Para outras reparações, entre em contacto com o agente de serviço autorizado.

Consequências de uma manutenção inadequada podem fazer com que o travão da corrente e outros recursos de segurança não funcionem corretamente, aumentando assim o potencial de ferimentos graves.

Mantenha a sua serra de poda sujeita a manutenção profissional e segura. • Afiar a corrente em segurança é uma tarefa qualificada. Portanto, o fabricante recomenda fortemente que uma corrente gasta ou romba seja substituída por uma nova, disponível no seu agente de serviço MILWAUKEE. O número da peça está disponível na tabela de especificações do produto neste manual.

Siga as instruções para lubrificação e verificação e ajuste da tensão da corrente.

Após cada utilização, limpe a máquina com um pano macio e seco. Remova todas as aparas, sujidade e detritos no compartimento da bateria.

Verifique todas as porcas e parafusos em intervalos frequentes para garantir a segurança da máquina em condições de trabalho seguras. Qualquer peça danificada deve ser devidamente reparada ou substituída numa estação de serviço MILWAUKEE.

Substituir a barra-guia e a corrente da serra

Use luvas de proteção.

1. Remova a bateria
2. Retire a cobertura da barra-guia
3. Remova as porcas de montagem da barra utilizando a chave de combinação fornecida.
4. Remova a cobertura da corrente.
5. Reduza a tensão da corrente da serra. Ver a seção "Ajustar a tensão da corrente".
6. Retire a corrente antiga com a barra-guia
7. Coloque a corrente nova na direção correta na barra e certifique-se de que os elos de ligação estejam alinhados na ranhura da barra.
8. Prenda a barra na serra de poda e encaixe a corrente ao redor da roda motora.
9. Substitua a tampa da transmissão da engrenagem e a porca de montagem da barra.
10. Com os dedos, aperte a porca de montagem da barra.
11. A barra deve poder mover-se livremente para ajustar a tensão da corrente.
12. Ajuste a tensão da corrente. Consulte a seção "Ajustar a tensão da corrente".
13. Segure a ponta da barra-guia e aperte firmemente as porcas de montagem da barra.

ATENÇÃO! Uma corrente romba ou inadequadamente afiada pode causar uma velocidade excessiva do motor durante o corte, o que pode resultar em graves danos no motor.

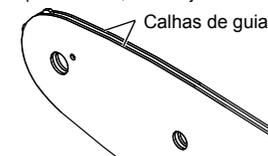
ATENÇÃO! Afiar uma corrente inadequadamente aumenta o potencial de ressalto.

ATENÇÃO! Não substituir ou reparar uma corrente danificada pode causar ferimentos graves.

ATENÇÃO! A corrente da serra é afiada. Use sempre luvas de proteção ao realizar a manutenção na corrente.

Manutenção da Barra-guia

Quando a barra-guia mostrar sinais de desgaste, vire a barra-guia de baixo para cima na serra elétrica, para distribuir o desgaste pela vida útil máx. da barra. Limpar e verificar a barra quanto a desgaste e danos, todos os dias em que esta for utilizada. O alisamento ou o surgimento de rebarbas nas calhas da barra é um processo normal de desgaste das barras. Estas falhas podem ser retificadas, logo que sucedam, com a ajuda de uma lima.



Substituir uma barra, sempre que apresente qualquer das seguintes falhas:

- Desgaste no interior das calhas da barra, causadores da inclinação lateral da corrente.
- Barra-guia dobrada.
- Calhas rachadas ou partidas.
- Calhas afastadas.

Lubrifique as barras-guia na ponta com um pinhão de lubrificação, todas as semanas. Utilize uma seringa de gordura para lubrificar semanalmente o orifício de lubrificante. Rode a barra-guia e verifique se os orifícios de lubrificante e as calhas da barra estão livres de impurezas.

Programa de manutenção

Verificação diária

Lubrificação da barra	Antes de cada utilização
Tensão da corrente	Antes de cada utilização e frequentemente
Grau de afiação da corrente	Antes de cada utilização, verificação visual
Quanto a peças danificadas	Antes de cada utilização
Quanto a fixadores soltos	Antes de cada utilização
Barra-guia	Antes de cada utilização
Serra completa	Após cada utilização

Peças de substituição (Barra e corrente)

Fabricante	MILWAUKEE	OREGON
Corrente	4932 4801 76	90F033XTR
Barra-guia	4932 4801 69	360804

A corrente deve ser equipada com uma barra do mesmo fabricante, de acordo com as combinações acima.

Vista expandida

A pedido e mediante indicação da referência que consta da chapa de características da máquina, pode requerer-se um desenho explosivo da ferramenta eléctrica a: Techtronic Industries GmbH, Max-Eyth-Straße 10, 71364 Winnenden, Germany.

SÍMBOLOS

	Leia atentamente o manual de instruções antes de colocar a máquina em funcionamento.
	ATENÇÃO! PERIGO!
	Antes de efectuar qualquer intervenção o aparelho retirar o bloco acumulador.
	Não exponha a máquina à chuva.
	Não utilizar com uma só mão
	Utilizar a serra de poda sempre com as duas mãos
	Use calçado de segurança com proteção contra corte, sola aderente e biqueira de aço!
	Use luvas de protecção!
	Sempre use roupas de protecção e sapatos resistentes.
	Use um capacete de protecção. Use protectores auriculares! Utilize óculos de segurança.
	Tenha cuidado com o ressalto da serra de poda e evite o contacto com a ponta da barra
	Durante a utilização, manter os transeuntes afastados pelo menos 1,5 m.
	Reservatório de óleo da corrente
	Rode para ajustar a tensão da corrente
	Direção de deslocação da corrente
	Acessório - Não incluído no equipamento normal, disponível como acessório.

Resíduos de pilhas, resíduos de equipamentos eléctricos e electrónicos não devem ser descartados com o lixo doméstico. Resíduos de pilhas, resíduos de equipamentos eléctricos e electrónicos devem ser recolhidos e descartados separadamente. Remova os resíduos de pilhas, os resíduos de acumuladores e as luzes antes de descartar os equipamentos. Informe-se sobre os centros de reciclagem e os postos de coleta nas autoridades locais ou no seu vendedor autorizado. Dependendo dos regulamentos locais, os retalhistas podem ser obrigados a retomar gratuitamente os resíduos de pilhas e os resíduos de equipamentos eléctricos e electrónicos. Contribua a reduzir as necessidades de matérias-primas, reutilizando e reciclando os seus resíduos de pilhas e os seus resíduos de equipamentos eléctricos e electrónicos. Resíduos de pilhas (particularmente pilhas de íon lítio), resíduos de equipamentos eléctricos e electrónicos contém materiais valiosos e reutilizáveis que podem ter efeitos negativos para o meio ambiente e a sua saúde. Apague eventuais dados pessoais existentes no seu resíduo de equipamento antes de descartá-lo.

	Nível de potência acústica garantido 79 dB(A)
v_0	Velocidade da corrente sem carga
v	Tensão
	Corrente contínua
	Marca de Conformidade Europeia
	Marca de Conformidade Britânica
	Marca de Conformidade Ucrainiana
	Marca de Conformidade Eurasiaática

TECHNISCHE GEGEVENS		M18 FHS20
Type	snoeizaag	
Productienummer	4916 50 01 XXXXXX MJJJ	
Spanning wisselakku	18 V =	
Onbelaste kettingsnelheid	4,8 m/s	
Zaagbladlengte max.	8" / 200 mm	
Nuttige zaaglengte	7,4" / 189 mm	
Inhoud van de kettlingolietank	77 ml	
Gewicht volgens de EPTA-procedure 01/2014 01/2014 (Li-Ion 2.0 Ah .. 12.0 Ah)	2,8 kg 3,9 kg	
Aanbevolen omgevingstemperatuur voor het bedrijf	-18 ... +50 °	
Aanbevolen accupacks	M18B...; M18HB...	
Aanbevolen laadtoestellen	M12-18...; M1418C6	
Geluidsinformatie: Meetwaarden vastgesteld volgens EN 62841. Het kenmerkende A-gewogen geluidsniveau van de machine bedraagt: Geluidsdruk niveau / Onzekerheid K= 81 dB (A) / 3 dB (A) Geluidsvermogen niveau / Onzekerheid K= 89 dB (A) / 3 dB (A)		
Draag oorbeschermers!		
Trillingsinformatie: Totale trillingswaarden (vectorsom van drie richtingebepaald volgens EN 62841.		
Trillingsmissiewaarde a_n / Onzekerheid K=		4,9 m/s ² / 1,5 m/s ²

WAARSCHUWING!

De in dit informatieblad vermelde trillings- en geluidsniveaus zijn gemeten in overeenstemming met een standaard testmethode conform EN 62841 en kunnen worden gebruikt om gereedschap met elkaar te vergelijken. Deze kunnen ook worden gebruikt voor het vooraf evalueren van de blootstelling.

De vermelde trillings- en geluidsniveaus gelden voor de meest gebruikelijke toepassingen van het gereedschap. Wanneer het gereedschap echter voor andere doeleinden of met andere hulpstukken gebruikt wordt of niet naar behoren onderhouden wordt, kan de mate van blootstelling over de hele werkperiode aanzienlijk hoger uitvallen.

Voor een nauwkeurige inschatting van de blootstelling aan trillingen en geluid moet ook de tijd in aanmerking worden genomen die het apparaat uitgeschakeld is of weliswaar loopt, maar niet werkelijk in gebruik is. Dit kan de waarde van de mate aan blootstelling over de hele werkperiode aanzienlijk verminderen.

Bepaal extra veiligheidsmaatregelen ter bescherming van de gebruiker tegen de gevolgen van trillingen en/of geluid, bijvoorbeeld: onderhoud van het gereedschap en hulpstukken, warmhouden van de handen, organisatie van de werkprocessen.

Draag oorbeschermers. Blootstelling aan geluid kan het gehoor beschadigen.

WAARSCHUWING! Lees en bekijk alle veiligheidsaanwijzingen, aanwijzingen, afbeeldingen en gegevens die u bij het apparaat ontvangt. Als u de volgende aanwijzingen niet in acht neemt, kunnen een elektrische schok, brand en/of ernstig letsel het gevolg zijn. **Bewaar alle waarschuwingen en voorschriften voor toekomstig gebruik.**

ALGEMENE VEILIGHEIDSWAARSCHUWINGEN BIJ SNOEIZAGEN

- a) Kom niet met lichaamsdelen in de buurt van de zaagketting wanneer de snoeizaag in gebruik is. Controleer voor u de snoeizaag start of de zaagketting nergens tegen aanloopt. Een moment van onoplettendheid tijdens het gebruik van een snoeizaag kan ertoe leiden dat uw kleding of lichaam met de zaagketting verstrengelt.
- b) Houd de snoeizaag altijd met uw rechterhand aan de achterste handgreep en uw linkerhand aan de voorste handgreep vast. Door de snoeizaag omgekeerd vast te houden vergroot u de kans op persoonlijk letsel; doe dit daarom nooit.
- c) Houd de snoeizaag alleen vast aan de geïsoleerde handgreepoppervlakken, omdat de zaagketting contact kan maken met verborgen bedrading. Zaagkettingen die contact maken met spanningvoerende bedrading kan onbeschermde metalen delen van de snoeizaag ook 'onder stroom zetten' en de gebruiker blootstellen aan elektrische schokken.
- d) Draag oogbescherming. Bovendien verdient het aanbeveling beschermingsmiddelen voor het gehoor, hoofd, de handen, benen en voeten te dragen. Adequate beschermingsmiddelen zullen persoonlijk letsel als gevolg van rondvliegend materiaal of onopzettelijk contact met de zaagketting beperken.
- e) Bedien een snoeizaag niet in een boom, op een ladder, vanaf een dak of enige andere instabiele ondergrond. Door op die manier te werken met een snoeizaag kan ernstig persoonlijk letsel ontstaan.

- f) Zorg dat u altijd stabiel op uw voeten staat en gebruik de snoeizaag uitsluitend wanneer u op een stabiele, veilige en vlakke ondergrond staat. Gladde of instabiele ondergronden kunnen ertoe leiden dat u uw evenwicht of de controle over de snoeizaag verliest.
- g) Wees er bij het zagen van een tak onder spanning op voorbereid dat deze kan terugveren. Wanneer de spanning in de houtvezels vrijkomt kan de veerbelaste tak tegen de gebruiker en/of de snoeizaag slaan, wat tot gevaarlijke situaties kan leiden.
- h) Ga buitengewoon voorzichtig te werk bij het zagen van struikgewas en jonge bomen. Het slanke materiaal kan in de zaagketting worden getrokken en naar u toe zwiepen of u uit balans trekken.
- i) Draag de snoeizaag aan de voorste handgreep, waarbij de snoeizaag is uitgeschakeld en van uw lichaam af. Vervoer of berg de snoeizaag altijd op met de beschermkap over het zaagblad. Een juiste manier van omgaan met de snoeizaag zal het risico van onopzettelijk contact met de bewegende zaagketting verkleinen.
- j) Volg de instructies voor het smeren van de machine, het spannen van de ketting en het vervangen van het zaagblad op. Een onjuist gespannen of onjuist gesmeerde ketting kan ofwel breken of de kans op terugslag vergroten.
- k) Houd handgrepen droog, schoon en vrij van olie en vet. Vettige en met olie verontreinigde handgrepen zijn glad en zorgen ervoor dat u de controle verliest.
- l) Zaak alleen hout. Gebruik een snoeizaag niet voor een ander doel dan waarvoor deze is bedoeld. Gebruik een snoeizaag bijvoorbeeld niet om metaal, plastic, steen of niet-houten bouwmaterialen te zagen. Het gebruik van een snoeizaag voor activiteiten anders dan die waarvoor deze is bedoeld kan leiden tot gevaarlijke situaties.

Volg alle instructies op bij het verwijderen van vastgeklemd materiaal, het opbergen of onderhouden van de snoeizaag. Zorg ervoor dat de schakelaar uitgeschakeld is en de accu is verwijderd. Onopzettelijk inschakelen van de snoeizaag bij het verwijderen van vastgeklemd materiaal of het uitvoeren van onderhoud kan leiden tot ernstig persoonlijk letsel.

Oorzaken en voorkomen van terugslag door de gebruiker van de kettingzaag:

Terugslag van de kettingzaag kan optreden wanneer de neus of tip van het zaagblad een object raakt of wanneer het zaagblad in de zaagsnede beklemd raakt.

Als de tip iets raakt kan een plotselinge tegengestelde reactie optreden, waardoor het zaagblad omhoog wordt gestoten in de richting van de gebruiker van de kettingzaag.

Wanneer de zaagketting bij de tip van het zaagblad beklemd wordt kan het zaagblad snel in de richting van de gebruiker van de kettingzaag worden gedrukt.

Elk van deze reacties kan ertoe leiden dat u de controle over de zaag verliest, wat kan leiden tot ernstig persoonlijk letsel. Vertrouw niet uitsluitend op de beveiligingen die in de zaag zijn ingebouwd.

Als gebruiker van een snoeizaag moet u verschillende maatregelen treffen om ongevallen of letsel bij het werk te voorkomen.

Terugslag is het gevolg van misbruik/verkeerd zagen met de snoeizaag of verkeerde omstandigheden en kan worden voorkomen met de volgende voorzorgsmaatregelen:

a) Houd het apparaat goed vast, waarbij uw duimen en vingers van uw beide handen de handgrepen van de snoeizaag omsluiten en plaats uw lichaam en arm zodanig dat ze de krachten van de terugslag kunnen opvangen. Met de juiste voorzorgsmaatregelen kan de gebruiker de terugslagkrachten onder controle houden. Laat de snoeizaag niet los.

b) Reik niet te ver en zaag niet boven schouderhoogte. Dit helpt onopzettelijk contact van de tip van het zaagblad te voorkomen en geeft u meer controle over de snoeizaag in onverwachte situaties.

c) Gebruik uitsluitende vervangende zaagbladen en kettingen die zijn gespecificeerd door de fabrikant. Een onjuiste montage van het zaagblad en/of de ketting kan ertoe leiden dat de ketting breekt en/of terugslaat.

d) Volg de instructies van de fabrikant voor het slijpen en onderhouden van de zaagketting op. Verminderen van de hoogte van de dieptemaat kan leiden tot sterkere terugslag.

VERDERE VEILIGHEIDS- EN WERKINSTRUCTIES

Het verdient aanbeveling om stammen op een zaagbok te zagen wanneer u voor de eerste keer een kettingzaag gebruikt.

Verankeren

Alleen verankeren aan energie-absorberende vallijnen. Veranker de ketting alleen aan de lus van een vallijn.

Bevestig de tuier niet aan de handgreep, zaagbladkap of waar dan ook aan het gereedschap.

Controleer of alle beveiligingen, handgrepen en de klauwaanslag correct gemonteerd en in goede staat zijn.

Personen die werken met de snoeizaag moeten in goede gezondheid verkeren. De snoeizaag is zwaar, dus de gebruiker moet fysiek fit zijn.

De gebruiker van de snoeizaag moet alert zijn, een goed gezichtsvermogen hebben, mobiel, stabiel en handvaardig zijn. Gebruik bij enige twijfel de snoeizaag NIET.

Begin pas met de snoeizaag te werken wanneer het werkgebied vrij is, u uw voeten stabiel kunt neerzetten en het ontsnappingspad van de vallende boom af vrij is. Pas op voor ontsnappende nevels van smeermiddel en zaagstof. Draag zo nodig een masker of gasmasker.

Zaag geen uitlopers en/of klein kreupelhout.

Houd de snoeizaag tijdens gebruik ALTIJD met beide handen vast. Houd de machine stevig vast, zodanig dat uw duimen en vingers de handgrepen omsluiten. Met uw rechterhand moet u de achterste handgreep vasthouden en met uw linkerhand de voorste.

Controleer voor u de snoeizaag start of de zaagketting nergens tegen aanloopt.

Breng geen modificaties aan de zaag aan en gebruik geen

accessoires die niet zijn goedgekeurd door de fabrikant.

In de buurt van de gebruiker van de kettingzaag moet een eerstehulpset met grote verbandmiddelen en een manier om de aandacht te trekken (bijvoorbeeld een fluit) aanwezig zijn. Een grotere en uitgebreidere set moet binnen redelijke tijd bereikbaar zijn.

Een verkeerd gespannen ketting kan van het zaagblad springen en ernstig of dodelijk letsel veroorzaken. De lengte van de ketting is temperatuurafhankelijk. Controleer de kettingspanning regelmatig.

U dient zich vertrouwd te maken met uw nieuwe snoeizaag door eenvoudige sneden in een goed ondersteund stuk hout te maken. Doe dat altijd wanneer u de snoeizaag langere tijd niet hebt gebruikt. Verwijder het accupack en controleer of alle bewegende onderdelen tot stilstand zijn gekomen om de kans op letsel door contact met bewegende onderdelen te verkleinen:

- een blokkering schoonmaakt of verwijderd,
- de machine onbeheerd achterlaat,
- accessoires monteert of demonteert,
- de machine controleert, onderhoudt of eraan werkt.

De afmetingen van het werkgebied hangen af van de uit te voeren klus en de grootte van de boom of het werkstuk. Het werkgebied voor het omzagen van een boom is bijvoorbeeld groter dan voor afkorten enzovoort. De gebruiker van de kettingzaag moet zich bewust zijn van alles wat er in het werkgebied gebeurt en dit onder controle hebben.

Maak geen zaagsnede met uw lichaam in het verlengde van het zaagblad en de ketting. In het geval van een terugslag voorkomt u daardoor dat de ketting in contact komt met uw hoofd of lichaam.

Gebruik geen heen-en-weergaande zaagbeweging, maar laat de ketting het werk doen. Houd de ketting scherp en probeer niet de ketting door de zaagsnede te drukken.

Oefen geen druk uit op de zaag aan het eind van de snede. Zorg ervoor dat u erop voorbereid bent om het gewicht van de zaag op te vangen zodra de zaag vrijkomt van het hout. Als u dat niet doet kan dat leiden tot ernstig persoonlijk letsel.

Stop de zaag niet in het midden van een zaagbewerking.

Houd de zaag ingeschakeld tot deze volledig uit het hout is getrokken. Bij niet stationair gebruik de aan-uitschakelaar niet vastzetten.

Voor alle werkzaamheden aan de apparat de accu verwijderen.

⚠ WAARSCHUWING! Voorkom brand, persoonlijk letsel of materiële schade door kortsluiting en dompel het gereedschap, de wisselaccu en het laadtoestel niet onder in vloeistoffen en waarborg dat geen vloeistoffen in de apparaten en accu's kunnen dringen. Corrosieve of geleidende vloeistoffen zoals zout water, bepaalde chemicaliën, bleekmiddelen of producten die bleekmiddelen bevatten, kunnen een kortsluiting veroorzaken.

Wisselakku's van het Akku-Systeem M18 alléén met laadapparaten van het Akku-Systeem M18 laden. Geen akku's van andere systemen laden.

Wisselakku's en laadapparaten niet openen en alleen in droge ruimtes opslaan. Tegen vocht beschermen.

Drukken en trekken

De reactiekracht is altijd tegenover gesteld aan de richting waarin de ketting beweegt. De gebruiker van de kettingzaag moet er dus op voorbereid zijn dat de machine trekt (voorwaarts gerichte beweging) bij het zagen met de onderkant van het zaagblad en duwt (in de richting van de gebruiker van de kettingzaag) bij zagen met de bovenkant van het zaagblad.

Zaag vastgeklemd in de snede

Stop de snoeizaag en maak deze veilig. Probeer niet om de ketting en het zaagblad met kracht uit de snede te krijgen, omdat u daardoor waarschijnlijk de ketting zult breken, die daardoor terug zal slaan en mogelijk de gebruiker van de snoeizaag zal raken. Deze situatie ontstaat gewoonlijk doordat het hout niet goed wordt ondersteund, zodat de ondersteuningskrachten ervoor zorgen dat de snede wordt dichtgedrukt en het zaagblad klem komt te zitten. Als het niet lukt om het zaagblad vrij te maken door het werkstuk anders te ondersteunen, kunt u wiggen gebruiken om de snede open te drukken en zo het zaagblad vrij te maken. Probeer nooit om de snoeizaag te starten wanneer het zaagblad zich in een snede bevindt.

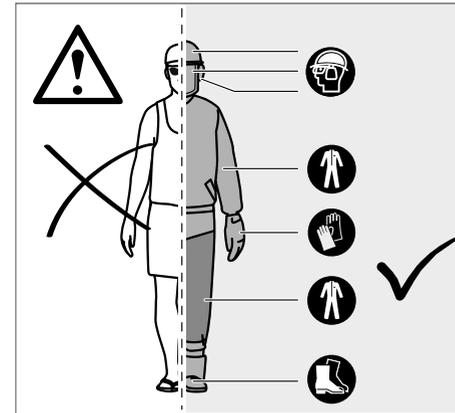
Schaatsen/suiteren

Wanneer de snoeizaag niet in het hout wil zakken bij het zagen kan het zaagblad beginnen te springen of gevaarlijk over het oppervlak van de stam of tak gaan glijden ('schaatsen'), waardoor u mogelijk de controle over de snoeizaag kunt verliezen. Zorg er, om de kans op schaatsen of suiteren te verkleinen, altijd voor dat u de snoeizaag met beide handen vasthoudt en dat de zaagketting een groei maakt om de zaagsnede mee te beginnen. Zaag nooit kleine, flexibele takken of bossage met uw snoeizaag. Door hun afmetingen en flexibiliteit kunnen ze er gemakkelijk voor zorgen dat de snoeizaag omhoog stuitert of dat de ketting ze grijpt, waardoor terugslag zal plaatsvinden. Het beste gereedschap voor dat soort werk is een handzaag, een snoeischaar, een bijl of ander handgereedschap.

Persoonlijk beschermingsuitrusting

Draag altijd een helm wanneer u de machine bedient. Een helm, met een vizier van gaas, kan helpen om het gevaar van letsel aan gezicht en hoofd te verminderen bij een terugslag. Draag oorbeschermers!

Persoonlijk beschermingsuitrusting van goede kwaliteit, zoals die wordt gebruikt door professionals, zal u helpen het letselrisico voor de gebruiker van de kettingzaag te verkleinen. De volgende artikelen moeten worden gebruikt bij het bedienen van de kettingzaag:



Veiligheidshelm

moet voldoen aan EN 397 en voorzien zijn van een CE-markering

Gehoorscherming

moet voldoen aan EN 352-1 en voorzien zijn van een CE-markering

Oog en -gezichtsbescherming

moet voorzien zijn van een CE-markering en voldoen aan EN 166 (voor veiligheidsbrillen) of EN 1731 (voor gaasvizieren)

Handschoenen

moeten voldoen aan EN381-7 en voorzien zijn van een CE-markering

Beenbescherming (chaps)

moeten voldoen aan EN 381-5, zijn voorzien van een CE-markering en allround bescherming bieden moeten voldoen aan EN 381-9 als zijn voorzien van een CE-markering en allround bescherming bieden

Zaagschoenen

moeten voldoen aan EN ISO 20345:2004 en zijn gemarkeerd met een schildje met een snoeizaag en daardoor voldoen aan EN 381-3. (Incidentele gebruikers kunnen stalen veiligheidslaarzen met veiligheidsneuzen gebruiken die voldoen aan EN 381-9 als de ondergrond vlak is en er weinig gevaar is voor struikelen of struikelen in kreupelhout)

Snoeizaagjassen voor bescherming van het bovenlichaam

moeten voldoen aan EN 381-11 en voorzien zijn van een CE-markering

KEN UW SNOEIZAAG

1	Voorste handgreep	11	Klauwaanslag
2	Voorste handbeveiliging	12	Zaagketting
3	Blokkeerinrichting	13	Zaagblad
4	AAN/UIT-schakelaar	14	Zaagbladgroef
5	Achterste handgreep	15	Kettingaandrijving
6	Kettingmeermiddelvuldop	16	Afdekking kettingtandwiel
7	Kettingolietank	17	Kettingspannschroef
8	Achterste handbeveiliging	18	bevestigingsmoer voor het zaagblad
9	Combinatiesleutel	19	Zaagbladkap
10	Accu		

⚠ WAARSCHUWING!

Onvoldoende onderhoud, het demonteren of modificeren van veiligheidsvoorzieningen, de startknop, de handbeveiliging (voor en achter), de klauwaanslag, de kettingvang, het zaagblad, of het gebruik van een zaagketting die niet terugslaat kan ertoe leiden dat de veiligheidsvoorzieningen niet correct werken, waardoor de kans op ernstig letsel toeneemt.

Klauwaanslag

De geïntegreerde klauwaanslag kan als draaipunt worden gebruikt, als een zaagsnede moet worden uitgevoerd. Het is handig om tijdens het zagen de behuizing van de zaag stabiel te houden. Druk de machine bij het zagen naar voren totdat de metalen doorn in de houten rand dringt. Als u dan de achterste handgreep omhoog of omlaag in de richting van de snede optilt, kan de lichamelijke belasting van het zagen worden verminderd.

Zaagblad

Over het algemeen hebben zaagbladen waarvan de tip een geringere straal heeft een geringere neiging om terugslag te voorkomen. Gebruik een zaagblad en de bijbehorende ketting die precies lang genoeg is voor de klus. Langere zaagbladen vergroten het risico dat u de controle over de kettingzaag verliest tijdens het zagen. Controleer de kettingspanning regelmatig. Bij het zagen van dunne takken (dunner dan de volledige lengte van het zaagblad) zal de ketting met een grotere waarschijnlijkheid worden losgetrokken als de spanning niet correct is.

INSTRUCTIES VOOR DE JUISTE TECHNIEKEN VOOR HET OMZAGEN, SNOEIEN EN DOORZAGEN VAN BOMEN

De krachten in het hout begrijpen

Wanneer u de richting van de druk- en trekkrachten in het hout begrijpt kunt u beknellingen van de zaag voorkomen of in ieder geval weten wanneer u er rekening mee moet houden. Spanning in het hout betekent dat de vezels uit elkaar worden getrokken en als u zaagt in het gebied waar dat gebeurt zal de zaagsnede de neiging hebben open te gaan staan. Als een stam wordt ondersteund op een zaagbok en een uiteinde uitsteekt buiten de zaagbok, zal er een trekspanning aan de bovenkant van de stam optreden die ervoor zorgt dat de vezels in het hout daar oprekken. Om dezelfde reden zullen de vezels aan de onderkant van de stam worden samengedrukt. Als u daar een snede maakt zal de snede de neiging hebben om dicht te gaan staan. Daardoor komt het zaagblad beklemd te zitten.

Ontlasten van een boom

Snoeien is het verwijderen van takken van een geveld boom. Laat bij het snoeien grotere takken aan de onderkant zitten als steun, om de boom op de grond te houden. Verwijder kleinere takken in één beweging. Takken die onder spanning staan, moeten van onderen naar boven worden afgezaagd, om vastklemmen van de snoeizaag te vermijden.

Zagen van gespannen hout

Gespannen hout is een stam, tak, gewortelde stomp of scheut, die door ander hout onder spanning wordt gebogen en terugklapt wanneer het andere hout of afgezaagd of verwijderd.

Bij een omgezaagde boom is het zeer waarschijnlijk dat een gewortelde stomp weer in zijn rechte stand terugklapt als de stam bij het op afkorten van de stomp wordt gescheiden. Pas op met gespannen hout, omdat dit zeer gevaarlijk is.

WAARSCHUWING! Gespannen hout is gevaarlijk en kan tegen de gebruiker van de snoeizaag slaan, waardoor deze de controle over de snoeizaag verliest. Dit kan leiden tot ernstig of fataal letsel bij de gebruiker van de snoeizaag. Zaag alleen gespannen hout wanneer u daar ervaring mee hebt.

VOORGESCHREVEN GEBRUIK VAN HET SYSTEEM

De snoeieruze snoeizaag is uitsluitend bedoeld voor gebruik buitenshuis.

Om veiligheidsredenen moet de snoeizaag tijdens gebruik ALTIJD met twee handen onder controle worden gehouden.

De snoeizaag is ontworpen voor het zagen van takken, stobbes, stammen en balken tot een diameter die wordt bepaald door de lengte van het zaagblad. De machine is uitsluitend ontworpen voor het zagen van hout. De machine mag uitsluitend worden gebruikt door volwassenen die adequaat zijn geïnstrueerd over de gevaren en preventieve maatregelen/acties tijdens het gebruik van de snoeizaag.

Gebruik de snoeizaag niet voor andere dan de bovenstaande doeleinden. Deze mag niet voor professionele boomverzorgingswerkzaamheden worden gebruikt. De snoeizaag mag niet worden gebruikt door kinderen of personen die niet de vereiste persoonlijke beschermingsmiddelen en kleding dragen.

WAARSCHUWING! Tijdens het gebruik van deze snoeizaag moeten de veiligheidsregels worden opgevolgd. Lees deze instructies voor uw eigen veiligheid en die van buitenstaanders voordat u de snoeizaag gebruikt. U dient een professioneel georganiseerde veiligheids cursus te volgen over het gebruik, preventieve maatregelen, EHBO en onderhoud van de snoeizaag. Bewaar de instructies zodat u deze later opnieuw kunt nalezen.

WAARSCHUWING! Snoeizagen zijn in potentie gevaarlijk gereedschappen. Ongevallen met het gebruik van snoeizagen resulteren vaak in het verlies van ledematen of de dood. Het is niet alleen de snoeizaag die gevaarlijk is. Vallende takken, kantelende bomen en rollende stammen zijn allemaal mogelijk dodelijk. Ziek of rot hout zorgt voor extra risico's. Overweeg ALTIJD of u de klus veilig kunt klaren. Laat de klus in geval van twijfel over aan een professionele boomchirurg.

Dit apparaat uitsluitend gebruiken voor normaal gebruik, zoals aangegeven.

RESTERENDE GEVAREN

Zelfs bij correct gebruik van het product kunnen resterende gevaren niet volledig worden uitgesloten. De bediener dient de volgende punten in acht te nemen om eventuele risico's te vermijden:

- Letsel veroorzaakt door trillingen
Gebruik altijd het juiste gereedschap voor de klus. Gebruik de daarvoor bedoelde handgrepen. Beperk de werk- en blootstellingstijd.
- Gehoorbeschadiging als gevolg van blootstelling tot geluid
Draag gehoorbescherming en beperk de blootstelling.
- Letsel als gevolg van contact met onbeschermde zaagtanden van de ketting
- Letsel als gevolg van wegschietende delen van het werkstuk (spanen, splinters)
- Letsel als gevolg van stof en deeltjes
- Letsel van de huid als gevolg van contact met smeermiddelen
- Delen die uit de zaagketting worden weggevoerd (snij/injectierisico's)
- Onvoorzien, abrupte beweging, of terugslag van het zaagblad (snijrisico's)

RISICO'S VERKLEINEN

- Het is bekend dat trillingen van handbediende gereedschappen bij bepaalde personen de kans op een aandoening (die het fenomeen van Raynaud wordt genoemd) kan vergroten. Symptomen hiervan kunnen onder andere zijn tintelingen, ongevoeligheid en wegtrekken van bloed uit de vingers, meestal zichtbaar na blootstelling aan kou. Er wordt aangenomen dat erfelijke factoren, blootstelling aan kou en vocht, het voedingspatroon, roken en bepaalde werkmethoden bijdragen aan de ontwikkeling van deze symptomen. De gebruiker van

de kettingzaag kan maatregelen treffen om de gevolgen van trillingen zo veel mogelijk te verminderen:

- Houd uw lichaam warm in koud weer. Draag handschoenen bij het werken met de kettingzaag om uw handen en polsen warm te houden.
- Doe na elke periode van gebruik van de kettingzaag oefeningen om de bloeddoorstroming te verbeteren.
- Neem regelmatig een pauze. Beperk de blootstellingsduur per dag.
- Beschermend handschoenen die verkrijgbaar zijn bij professionele dealers van snoeizagen zijn specifiek ontworpen voor gebruik bij het snoeizagen en beschermen, geven een goede grip en verminderen het effect van trillingen in de handgrepen. Deze handschoenen moeten voldoen aan EN 381-7 en voorzien zijn van een CE-markering.

Stop onmiddellijk met werken als u de symptomen van deze aandoening bemerkt en raadpleeg uw arts.

WAARSCHUWING! Langdurig gebruik van een apparaat kan leiden tot letsel of dit verergeren. Neem regelmatig een pauze wanneer u achter elkaar een apparaat langere tijd gebruikt.

OPMERKINGEN OVER LI-ION-ACCU'S

Gebruik van li-ion-accu's

Langere tijd niet toegepaste wisselakku's vóór gebruik altijd naladen.

Een temperatuur boven de 50°C vermindert de capaciteit van de accu. Langdurige verwarming door zon of hitte vermijden.

De aansluitcontacten aan het laadapparaat en de accu schoonhouden.

Voor een optimale levensduur moeten de accu's na het gebruik volledig opgeladen worden.

Voor een zo lang mogelijke levensduur van de accu's dienen deze na het opladen uit het laadtoestel te worden verwijderd.

Bij een langere opslag van de accu dan 30 dagen:

Bewaar het accupack op een droge plek waar de temperatuur onder 27°C is

accu bij ca. 30% - 50% van de laadtoestand bewaren.

accu om de 6 maanden opnieuw opladen.

Overbelastingsbeveiliging voor li-ion-accu's

Bij overbelasting van de accu door zeer hoog stroomverbruik, bijv. extreem hoge draaimomenten, plotseling stoppen of kortsluiting, vibreert het elektrische gereedschap gedurende 5 seconden, de laadweergave knippert en het elektrische gereedschap schakelt automatisch uit.

Om het gereedschap weer in te schakelen, moet u de drukschakelaar loslaten en vervolgens weer inschakelen. Onder extreme belastingen wordt de accu te heet. In dit geval knipperen alle lampen van de laadweergave totdat de accu afgekoeld is. Na het doven van de laadweergave kunt u weer verder werken.

Transport van lithium-ionen-accu's

Lithium-ionen-accu's vallen onder de wettelijke bepalingen inzake het transport van gevaarlijke goederen.

Voor het transport van deze accu's moeten de lokale, nationale en internationale voorschriften en bepalingen in acht worden genomen.

Verbruikers mogen deze accu's zonder meer over de weg transporteren.

Het commerciële transport van lithium-ionen-accu's door expeditiebedrijven is onderhevig aan de bepalingen inzake het transport van gevaarlijke goederen. De verzendingsvoorbereidingen en het transport mogen uitsluitend worden uitgevoerd door dienovereenkomstig opgeleide personen. Het complete proces moet vakkundig worden begeleid.

Onderstaande punten moeten bij het transport van accu's in acht worden genomen:

Waarborg ter vermindering van kortsluitingen dat de contacten beschermd en geïsoleerd zijn.

Let op dat het accupack in de verpakking niet kan verschuiven. Beschadigde of lekkende accu's mogen niet worden getransporteerd. Neem voor meer informatie contact op met uw expeditiebedrijf.

ARBEIDSinSTRUCTIES

MONTEREN

Zaagketting en zaagblad monteren

WAARSCHUWING! Gebruik de kettingzaag niet wanneer er onderdelen beschadigd zijn of ontbreken. Als u dat niet doet kan dat leiden tot ernstig persoonlijk letsel.

Verwijder de accu. Draag veiligheidshandschoenen!

1. Verwijder de bevestigingsmoeren voor het zaagblad met de meegeleverde combinatiesleutel.
2. Verwijder de kettingkast.
3. Plaats de nieuwe ketting in de juiste richting op het zaagblad en zorg ervoor dat aandrijfschakels in de groef van het zaagblad glijden.
4. Monteer het zaagblad op de snoeizaag en haak de ketting om het kettingtandwiel.
5. Plaats de kettingkast en de bevestigingsmoeren voor het zaagblad terug.
6. Draai de bevestigingsmoeren voor het zaagblad handvast. Het zaagblad moet vrij kunnen bewegen om de kettingspanning af te kunnen stellen.
7. Stel de kettingspanning af. Meer informatie hierover vindt u in de paragraaf 'Kettingspanning afstellen'.
8. Houd de tip van het zaagblad omhoog en draai de bevestigingsmoeren voor het zaagblad stevig vast.

WAARSCHUWING! De zaagketting is scherp. Draag altijd beschermende handschoenen wanneer u onderhoud aan de ketting uitvoert.

Kettingspanning afstellen

Verwijder de accu voordat u werkzaamheden aan de snoeizaag gaat uitvoeren.

Om de kettingspanning te verhogen draait u de kettingspanschroeven rechtsom (met de wijzers van de klok mee). Controleer de kettingspanning regelmatig. Om de kettingspanning te verlagen draait u de kettingspanschroeven linksom (tegen de wijzers van de klok in). Controleer de kettingspanning regelmatig.

De kettingspanning is correct wanneer de spleet tussen de tand in de ketting en het zaagblad ongeveer 6,8 mm is. Trek de ketting in het midden van de onderkant van het zaagblad omlaag (van het zaagblad af) en meet de afstand tussen het zaagblad en de kettingtanden. Draai de bevestigingsmoeren van het zaagblad vast door ze linksom (tegen de wijzers van de klok in) te draaien.

Opmerking: Span de ketting niet te strak; een te hoge kettingspanning zal leiden tot overmatige slijtage, de levensduur van de ketting verminderen en kan het zaagblad beschadigen. Nieuwe kettingen kunnen rekken en tijdens het eerste gebruik loskomen. Verwijderen de accu controleer de kettingspanning regelmatig tijdens de eerste twee uren van gebruik. De ketting wordt warmer tijdens normaal gebruik, waardoor de ketting langer wordt. Controleer de kettingspanning regelmatig en stel die zo nodig opnieuw af. Een ketting die warm wordt gespannen kan te strak komen te staan wanneer de ketting afkoelt. Zorg ervoor dat de kettingspanning correct en volgens deze instructies is afgesteld.

Kettingsmeerolie bijvullen

WAARSCHUWING! Werk nooit zonder kettingsmeermiddel. Als de zaagketting zonder smeermiddel wordt gebruikt kunnen het zaagblad en de zaagketting beschadigen. Het is essentieel om het oliepeil regelmatig en altijd voor u de snoeizaag gaat gebruiken te controleren. Zorg ervoor dat het reservoir meer dan 1/4 vol is, om ervoor te zorgen dat er voldoende olie voor de klus beschikbaar is.

Opmerking: Het verdient aanbeveling om bij het snoeien van bomen een plantaardige kettingolie te gebruiken. Minerale olie kan schadelijk voor bomen zijn. Gebruik nooit gebruikte automotorolie of erg dikke oliën. Deze kunnen de snoeizaag beschadigen. Maak het oppervlak rond de olievladdop schoon om verontreiniging met olie te voorkomen.

1. Schroef de olievladdop los en verwijder de dop van de olietank.
2. Giet de olie in de olietank en houd het oliepeil in de gaten.
3. Plaats de olievladdop terug en draai die vast. Veeg eventueel gemorste olie met een doek weg.

De snoeizaag vasthouden

Houd de snoeizaag altijd met uw rechterhand aan de achterste handgreep en u linkerhand aan de voorste handgreep vast. Houd de snoeizaag zodanig vast met beide handen dat uw duimen en vingers de handgrepen omsluiten.

De snoeizaag starten

Voordat de snoeizaag wordt gestart moet het accupack in de snoeizaag worden geplaatst.

Herstartbeveiliging

Het elektrisch gereedschap is voorzien van een herstartbeveiliging. Dit voorkomt dat het ingeschakelde elektrische gereedschap uit zichzelf wordt gestart als de accu wordt geplaatst en dat deze opnieuw wordt gestart na een uitschakeling van de accu.

Als het zaagblad zich buiten het hout bevindt moet de machine worden uitgeschakeld en weer worden ingeschakeld om verder te gaan met de werkzaamheden.

Als het zaagblad zich in het hout bevindt moet worden gewacht tot de zaagketting volledig stilstaat. Zorg ervoor dat de schakelaar zich in de uit-stand bevindt. Verwijder het accupack uit de machine en haal het zaagblad uit de snede. Plaats het accupack en schakel de machine vervolgens weer in om verder te gaan met uw werkzaamheden.

VERVOER EN OPSLAG

Olie de ketting altijd licht in wanneer u deze opbergt om roestvorming te voorkomen. Leeg de olietank altijd wanneer u de machine opslaat om lekkage te voorkomen.

Stop de kettingzaag, verwijder de accu en laat die afkoelen voor u deze opbergt of vervoert.

Verwijder alles wat niet op de kettingzaag thuishoort van de machine. Berg de kettingzaag op een koele, droge en goed geventileerde plaats op die afgesloten is voor kinderen. Houd de kettingzaag verwijderd van bijtende middelen, zoals tuinchemicaliën en ontdooizouten. Berg de kettingzaag niet buitenshuis op.

Schuif de beschermkap over het zaagblad wanneer u de kettingzaag opbergt of vervoert.

Zorg ervoor dat de kettingzaag, wanneer u deze vervoert in een voertuig, niet kan bewegen of kan vallen, om letsel van personen of schade aan de machine te voorkomen.

ONDERHOUD

Verwijder stof en rommel van openingen. Houd de handgreep schoon, droog en vrij van olie of vet. Gebruik alleen milde zeep en een vochtige doek voor het reinigen, aangezien bepaalde reinigingsmiddelen en oplosmiddelen schadelijk zijn voor plastic en andere geïsoleerde onderdelen. Sommige van deze middelen bevatten benzine, terpentine, lakverdunder, ververdunder, chloorreinigingsmiddelen, ammoniak en huishoudreinigingsmiddelen met ammoniak. Gebruik nooit ontvlambare of brandbare oplosmiddelen in de buurt van gereedschappen.

ONDERHOUD

WAARSCHUWING! Gebruik uitsluitend Milwaukee toebehoren en onderdelen. Een door het voertuig bewegende kettingzaag kan leiden tot letsel, beschadigen en mogelijk uw aanspraak op garantie ongeldig maken.

Gebruik uitsluitend Milwaukee toebehoren en onderdelen. Indien componenten die moeten worden vervangen niet zijn beschreven, neem dan contact op met een officieel Milwaukee servicecentrum (zie onze lijst met servicecentra).

WAARSCHUWING! Het onderhoud van de kettingzaag vereist een hoge mate van zorgvuldigheid en kennis; laat dit uitvoeren door een gekwalificeerde monteur. We adviseren u om de kettingzaag voor reparaties aan te bieden bij een MILWAUKEE-servicepunt. Gebruik bij het uitvoeren van onderhoud uitsluitend identieke vervangingsonderdelen.

WAARSCHUWING! Verwijder de accu voor u de kettingzaag gaat afstellen, onderhouden of schoonmaken. Als u dat niet doet kan dat leiden tot ernstig persoonlijk letsel. U mag uitsluitend afstellingen of reparaties uitvoeren die zijn beschreven in deze handleiding. Neem voor andere reparaties contact op met een geautoriseerd servicepunt.

Onvoldoende onderhoud, kan ertoe leiden dat de kettingrem en andere veiligheidsvoorzieningen niet correct werken, waardoor de kans op ernstig letsel toeneemt.

Houd uw snoeizaag veilig door deze te laten onderhouden door een professional. • Het slijpen van de ketting is een specialistische taak. Daarom adviseert de fabrikant met klem om een versleten of botte ketting te vervangen door een nieuwe, die verkrijgbaar zijn bij uw MILWAUKEE-servicepunt. Het onderdeelnummer kunt u vinden in de productspecificatietabel in deze handleiding.

Volg de aanwijzingen voor het smeren en spannen van de ketting nauwgezet op.

Maak de kettingzaag na elk gebruik schoon met een zachte droge doek.

Verwijderen spanen, vuil en rommel uit het accucompartiment.

Controleer regelmatig of alle moeren, bouten en schroeven vastgedraaid zijn om ervoor te zorgen dat de kettingzaag veilig kan worden gebruikt. Eventuele beschadigde onderdelen moeten deugdelijk worden gerepareerd of vervangen door een MILWAUKEE-servicepunt.

Zaagblad en de zaagketting vervangen

Draag beschermende handschoenen.

1. Verwijder de accu
2. Verwijder de zaagbladkap
3. Verwijder de bevestigingsmoeren voor het zaagblad met de meegeleverde combinatiesleutel.
4. Verwijder de kettingkast.
5. Verminder de spanning van de zaagketting. Zie de sectie 'De kettingspanning aanpassen'.
6. Verwijder de oude ketting met het zaagblad
7. Plaats de nieuwe ketting in de juiste richting op het zaagblad en zorg ervoor dat aandrijfschakels in de groef van het zaagblad glijden.
8. Monteer het zaagblad op de snoeizaag en haak de ketting om het kettingtandwiel.
9. Plaats de afdekking van de aandrijfketting en montagevoer van de geleider terug.
10. Draai de montagevoer van de geleider vast.
11. De geleider moet vrij kunnen bewegen voor het aanpassen van de kettingspanning.
12. Stel de kettingspanning af. Meer informatie hierover vindt u in de paragraaf 'Kettingspanning afstellen'.
13. Houd de tip van het zaagblad omhoog en draai de bevestigingsmoeren voor het zaagblad stevig vast.

WAARSCHUWING! Een botte of onjuist geslepen ketting kan ertoe leiden dat de motor te hard gaat draaien tijdens het zagen, waardoor ernstige schade aan de motor kan ontstaan.

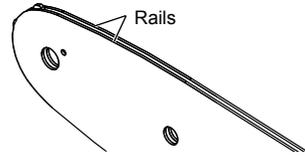
WAARSCHUWING! Een onjuist geslepen ketting vergroot de kans op terugslag.

WAARSCHUWING! Blijven werken met een beschadigde ketting kan leiden tot ernstig letsel.

WAARSCHUWING! De zaagketting is scherp. Draag altijd beschermende handschoenen wanneer u onderhoud aan de ketting uitvoert.

Onderhoud van de geleider

Wanneer de geleider tekenen van slijtage vertoont, draait u de geleider om (onder naar boven) op de zaag om de slijtage te verdelen voor een maximale levensduur. De geleider moet bij elk gebruik worden schoongemaakt en gecontroleerd op slijtage en schade. Het uitlopen of afbramen van de rails maakt deel uit van het slijtageproces. Dergelijke gebreken moeten zodra ze voorkomen met een vijl worden gladgemaakt.



Een rail met een van de volgende gebreken moet worden vervangen.

- Slijtage in de rails waardoor de ketting zijwaarts kan wegglijden.
- Gebogen geleider
- Gebarsten of gebroken rails.
- Gespleten rails.

Het uiteinde van de geleiders met tandwiel moet wekelijks worden gesmeerd. Met een vetspuit wekelijks in het smeergat smeren. Draai de geleider en controleer of de smeergaten en de rails vrij zijn van onzuiverheden.

Onderhoudsschema

Dagelijkse controle

Smearing van het zaagblad	Voorafgaand aan ieder gebruik
Kettingspanning	Voorafgaand aan ieder gebruik en regelmatig
Scherpte van de ketting	Voorafgaand aan ieder gebruik, visuele controle
Beschadigde onderdelen	Voorafgaand aan ieder gebruik
Loszittende bevestigingsmiddelen	Voorafgaand aan ieder gebruik
Zaagblad	Voorafgaand aan ieder gebruik
Complete kettingzaag	Na elk gebruik

Reserveonderdelen (Zaagblad en ketting)

Fabrikant	MILWAUKEE	OREGON
Ketting	4932 4801 76	90F033XTR
Zaagblad	4932 4801 69	360804

De ketting moet worden gebruikt in combinatie met een zaagblad van hetzelfde merk conform de hierboven vermelde combinaties.

Exploded view

Onder vermelding van het nummer op het machineplaatje is desgewenst een doorsnedetekening van de machine verkrijgbaar bij: Techtronic Industries GmbH, Max-Eyth-Straße 10, 71364 Winnenden, Germany.

SYMBOLEN

	Graag instructies zorgvuldig doorlezen vóóordat u de machine in gebruik neemt.
	OPGELET! WAARSCHUWING! GEVAAR!
	Voor alle werkzaamheden aan de apparat de accu verwijderen.
	Stel de machine niet bloot aan regen.
	Gebruik de machine niet met slechts een hand.
	Gebruik de snoeizaag altijd met twee handen.
	Draag veiligheidsschoenen met zaagbescherming, profielzolen en stalen neuzen!
	Draag veiligheidshandschoenen!
	Draag altijd veiligheidskleding en vast schoeisel.
	Draag een beschermende helm. Draag oorbeschermers! Gebruik een veiligheidsbril.
	Pas op voor het terugslaan van de snoeizaag terugslag en voorkom contact met de neus van het zaagblad
	Houd omstanders tijdens gebruik op ten minste 50 m afstand.
	Kettingoliereservoir
	Draaien om de spanning van de ketting af te stellen
	Bewegingsrichting van de zaagketting
	Toebehoren - Wordt niet meegeleverd. Is apart leverbaar. Zie hiervoor het toebehorenprogramma.

	Afgedankte batterijen en afgedankte elektrische en elektronische apparatuur mogen niet samen via het huisafval worden afgevoerd. Afgedankte batterijen en afgedankte elektrische en elektronische apparatuur moeten gescheiden ingezameld en afgevoerd worden. Verwijder afgedankte batterijen, afgedankte accu's en verlichtingsmiddelen uit de apparatuur voordat u deze afvoert. Informeer bij uw gemeente of bij uw vakhandelaar naar recyclingbedrijven en inzamelpunten. Al naargelang de lokaal van toepassing zijnde voorschriften kunnen detailhandelaren verplicht zijn om afgedankte batterijen, afgedankte elektrische en elektronische apparatuur kosteloos terug te nemen. Geef uw afgedankte batterijen, afgedankte elektrische en elektronische apparatuur af voor recycling en help zo mee om de behoefte aan grondstoffen te verminderen. Afgedankte batterijen (vooral lithium-ion-batterijen), afgedankte elektrische en elektronische apparatuur bevatten waardevolle, recyclebare materialen die, mits ze niet milieuvriendelijk worden afgevoerd, negatieve gevolgen kunnen hebben voor het milieu en uw gezondheid. Verwijder persoonlijke gegevens van uw afgedankte apparatuur voordat u deze afvoert.
	Gegarandeerd geluidsdruk niveau 79 dB(A)
v_0	Onbelaste kettingsnelheid
V	Spanning
	Gelijkstroom
	Europees symbool van overeenstemming
	Brits symbool van overeenstemming
	Oekraïens symbool van overeenstemming
	Euro-Aziatisch symbool van overeenstemming

TEKNISKE DATA		M18 FHS20	
Type	grensav		
Produktionsnummer	4916 50 01 XXXXX MJJJ		
Udskiftningsbatteriets spænding	18 V =		
Hastighed for kæden i tomgang	4,8 m/s		
Længde på sværdet maks.	8" / 200 mm		
Brugbar snitlængde	7,4" / 189 mm		
Kædeolie tankindhold	77 ml		
Vægt svarer til EPTA-procedure 01/2014 01/2014 (Li-Ion 2.0 Ah .. 12.0 Ah)	2,8 kg 3,9 kg		
Anbefalet omgivelsestemperatur til driften	-18 ... +50 °		
Anbefalede batteripakker	M18B...; M18HB...		
Anbefalede opladere	M12-18...; M1418C6		
Støjinformation: Måleværdier beregnes iht. EN 62841. Værktøjets A-vurderede støjniveau er typisk:			
Lydtrykniveau / Usikkerhed K=	81 dB (A) / 3 dB (A)		
Lydeffekt niveau / Usikkerhed K=	89 dB (A) / 3 dB (A)		
Brug høreværn!			
Vibrationsinformation: Samlede vibrationsværdier (værdisum for tre retninger) beregnet iht. EN 62841.			
Vibrationseksponering a _v / Usikkerhed K=	4,9 m/s ² / 1,5 m/s ²		

⚠ ADVARSEL!

Det vibrations- og støjmissionsniveau, der nævnes i dette oplysningskema, er blevet målt i overensstemmelse med en standardiseret test fra EN 62841, og det kan bruges til at sammenligne ét værktøj med et andet. Det kan bruges til en foreløbig bedømmelse af eksponeringen.

Det erklærede vibrations- og støjmissionsniveau repræsenterer værktøjets primære anvendelsesformål. Det er dog sådan, at hvis værktøjet bruges til andre formål, med forskelligt tilbehør eller dårlig vedligehold, så kan vibrations- og støjmissionen variere. Det kan evt. øge eksponeringsniveauet markant i løbet af det samlede arbejdstidsrum.

En vurdering af eksponeringsniveauet ift. vibration og støj bør også tage hensyn til de tidspunkter, hvor værktøjet er slukket eller hvor det kører, men rent faktisk ikke udfører jobbet. Det kan evt. mindske eksponeringsniveauet markant i løbet af det samlede arbejdstidsrum.

Identificer yderligere sikkerhedsforanstaltninger med henblik på at beskytte brugeren mod effekten af vibration og/eller støj, som fx: vedligehold værktøjet og tilbehøret, hold hænderne varme, organisering af arbejdsmonstre.

Bær høreværn. Støjpåvirkning kan bevirke tab af hørelse.

⚠ ADVARSEL! Læs alle sikkerhedsanvisninger, anvisninger, instruktioner og data, der følger med enheden. Overholder du ikke følgende instruktioner, kan du få elektrisk stød, der kan opstå brand og /eller du kan blive kvæstet alvorligt. **Opbevar alle advarselsanvisninger og instrukser til senere brug.**

GENERELLE SIKKERHEDSHENVISNINGER TIL GRENSAVEN

a) Hold alle dele af kroppen væk, når grensaven arbejder. Før du starter grensaven, skal du være sikker på, at savkæden ikke er i kontakt med noget. Et øjeblik uopmærksomhed, mens der arbejdes med grensaven, kan føre til, at dit tøj eller din krop vikles ind i savkæden.

b) Hold altid grensaven med din højre hånd på baghåndtaget, og med din venstre hånd på håndtaget foran. Holdes grensaven modsat, øges risikoen for personskader, og bør derfor aldrig ske.

c) Hold kun på grensaven ved de isolerede håndtagsoverflader, da savkæden evt. kan komme i kontakt med skjulte ledninger. Hvis en savkæde kommer i kontakt med strømførte ledninger, kan dette forårsage, at udsatte metaldele på grensaven bliver strømførende, og føre til elektrisk stød for brugeren.

d) Bær øjebeskyttelse. Yderligere beskyttelsesudstyr til hørsel, hoved, ben og fødder anbefales. Passende beskyttelsesudstyr mindsker risikoen for personskader fra flyvende rester eller utilsigtet kontakt med savkæden.

e) Brug ikke en grensav i et træ, på en stige, fra et hustag, eller noget andet ustabilt underlag. Hvis en grensav bruges på denne måde, kan det føre til alvorlige personskader.

f) Sørg altid for ordentligt fodfæste og brug kun grensaven, når du står på en stabil, sikker og jævn overflade. Glatte og ustabile overflader kan føre til tab af balancen eller kontrol over grensaven.

g) Ved skæring i grene, som er under spænding, skal du være forberedt på tilbagekastning. Når spændinger i træfibre løsnes,

kan en spændt gren springe tilbage, når den løsnes og bringe brugeren og / eller grensav ud af kontrol.

h) Vær ekstremt forsigtig, når der skæres i børster og sarte planter. Det tynde materiale kan fange savkæden og kastes mod dig eller bringe dig ud af balance.

i) Bær grensaven i slukket tilstand ved håndtaget foran, og væk fra din krop. Under transport og opbevaring af grensaven, skal sværdet altid være iført hylsteret. Ved korrekt håndtering af grensaven mindskes risikoen for ulykker, forårsaget af kontakt med den bevægende savkæde.

j) Følg instruktionerne, når du smører og spænder kæden, og når du skifter sværdet og kæden. En utilstrækkeligt spændt eller smurt kæde kan enten knække eller øge risikoen for tilbageslag.

k) Hold håndtagene tørre, rene, og fri for olie og fedt. Fedtede, olieindsmurte håndtag er glatte, hvilket kan forårsage at kontrollen mindskes.

l) Skær kun i træ. Brug ikke grensaven til utilsigtede formål. For eksempel: brug ikke grensaven til skæring i metal, plastik, murværk eller ikke-træholdige byggematerialer. Utilsigtet brug af grensaven kan føre til farlige situationer.

Følg alle instruktioner, når fastklemt materiale fjernes, og grensaven opbevares og vedligeholdes. Vær sikker på, at batteripakken er fjernet. Uventet start af grensaven under fjernelse af fastklemt materiale, vedligeholdelse eller ved funktionstest, kan føre til alvorlige personskader.

Årsager og operatørens afværgelse af tilbageslag:

Tilbageslag kan forekomme, når næsen eller spidsen af sværdet berører et objekt, eller når træ lukkes inde, og presser savkæden ud under skæring.

Kontakt med næsen kan i nogle tilfælde forårsage en pludselig omvendt reaktion, og slå sværdet op og bagud mod operatøren.

Presses savkæden langs toppen af sværdet, kan det ske, at sværdet skubbes hurtigt tilbage mod operatøren.

Alle disse reaktioner kan føre til, at du mister kontrollen over saven, som igen kan føre til alvorlige personskader. Støt altså ikke blindt på de indbyggede sikkerhedsapparater i saven.

Som bruger af en grensav bør du træffe flere forholdsregler for at undgå ulykker under dit skærearbejde.

Tilbageslag skyldes forkert brug af grensaven og/eller forkerte arbejdsprocedurer eller -forhold og kan undgås ved at træffe de rigtige forholdsregler, som gengivet nedenfor:

a) Hold godt fast i grensaven og sørg for, at både krop og arme befinder sig i en position, som kan modstå tilbageślagskræfterne. Tilbageślagskræfterne kan kontrolleres af operatøren, hvis der er truffet de rigtige forholdsregler. Slip ikke grensaven.

b) Bliv ikke overmodig og skær ikke over skulderhøjde. Dette hjælper til at forhindre kontakt med spidsen, og giver bedre kontrol over grensaven i uventede situationer.

c) Brug kun de reservedsværd og -kæder, som producenten angiver. Forkert udskiftning af sværdet kan forårsage, at kæden knækker og/eller slår tilbage.

d) Følg producentens slibnings- og vedligeholdelsesvejledninger for savkæden. Sænkes længden på dybdemålet, kan dette føre til et større tilbageślag.

YDERLIGERE SIKKERHEDS- OG ARBEJDSINFORMATIONER

Det anbefales at skære stammer på en savbuk, når maskinen skal bruges for første gang.

Tøjring

Der må kun tøjres med energiabsorberende snore. Fastgør kun tøjret til lanyard-løkken.

Fastgør ikke tøjret til håndtaget, sværdhylstret eller noget andet punkt på værktøjet.

Sikre, at alle sikkerhedskomponenter, håndtag og kloen er korrekt monteret og i god stand.

Brugere af grensaven skal være ved godt helbred. Grensaven er tung, så operatøren skal være i fysisk god form.

Operatøren skal være opmærksom på, at have et godt udsyn, god mobilitet, balance og fingerfærdighed. Skulle der være tvivl, brug da ikke grensaven.

Begynd ikke at bruge grensaven før du har et rent arbejdsområde, sikkert fodfæste, og en forberedt tilbagetrædelsessti væk fra det faldende træ. Vær opmærksom på udstødning af brændstof og savstøv. Bær en maske eller iltmaske, hvis nødvendigt.

Skær ikke vinstokke og/eller små vækster.

Hold altid grensaven med begge hænder under arbejdet. Tag et fast greb om grensavens håndtag med tommelfingre og fingre. Højre hånd skal være på baghåndtaget og venstre på håndtaget foran.

Før grensaven startes, skal du sikre, at savkæden ikke berører noget objekt.

Der må ikke på nogen måde ændres noget på grensaven, eller anvende den til at starte nogen form for tilkoblede komponenter eller apparater, som ikke er anbefalet af producenten af din grensav.

Der bør være førstehjælps-udstyr, indeholdende store sårbandager og midler til at påkalde sig opmærksomheden (f.eks. fløjte) tæt ved operatøren. Et større, og mere omfattende udstyr, bør være i nærheden.

En forkert spændt kæde kan springe af sværdet og resulterer i alvorlige kvæstelser eller død. Længden af kæden afhænger af temperaturen. Efterså håndtningen hyppigt.

En god måde at vænne dig til din nye grensav på, er at skære nogle simple snit på sikkert støttet træ. Gør også dette, når du ikke har arbejdet med saven i nogen tid. For at mindske risikoen for kvæstelser i forbindelse med at komme i berøring med bevægende dele, stop altid motoren, fjern batteripakken og sørg for, at alle bevægende dele er i stilstand forud for:

- rengøring eller fjernelse af en blokering
- efterladning af maskinen uden opsyn
- montering eller aftagning af tilkoblede komponenter
- eftersyn, vedligeholdelsesarbejde eller arbejde på maskinen

Størrelsen af arbejdsområdet afhænger af det arbejde, som skal udføres og af størrelsen af træet eller emnet, som er involveret heri. For eksempel, at fælde et træ kræver et større arbejdsområde end at foretage andre skæringer, f.eks., bukkeskæringer, osv. Operatøren skal være opmærksom på og have kontrol over alt, hvad der sker på arbejdsområdet.

Skær ikke med din krop parallel med sværdet og kæden. Hvis du oplever tilbageślag, vil dette hjælpe dig med at undgå, at kæden kommer i kontakt med dit hoved eller krop.

Brug ikke en frem-og-tilbage savebevægelse, lad kæden gøre arbejdet. Hold kæden skarp og forsøg ikke at skubbe kæden gennem et snit.

Udøv ikke tryk på saven ved slutningen af et snit. Vær klar til at tage savens vægt, så snart den skærer sig fri fra træet. Manglende overholdelse af dette kan resultere i alvorlig personskade.

Stop ikke saven midt under et skærearbejde.

Lad saven køre til den er ude af snittet. Ind-/udkobler blokeres ikke i manuel drift.

Ved arbejde inden i maskinen, bør batteriet tages ud.

⚠ ADVARSEL! For at undgå risiko for brand, kvæstelser eller beskadigelse af produktet forårsaget af kortslutning må værktøjet, batteripakken eller opladeren ikke nedsænkes i vand. Sørg ligeledes for, at der ikke trænger væske ind i enhederne og batterierne. Korroderende eller ledende væsker, f.eks. saltvand, bestemte kemikalier, blegestoffer eller produkter, som indeholder blegestoffer, kan forårsage kortslutning.

Brug kun M18 ladeapparater for opladning af System M18 batterier. Udskiftningsbatterier og opladere må ikke åbnes og skal opbevares i tørre rum. Beskyt dem mod fugtighed.

Skub og træk

Reaktionskraften er altid modsat af den retning, som kæden bevæger sig i. Operatøren skal således være klar til at kontrollere maskinens tendens til at trække væk (fremadgående bevægelse), når der skæres i nederste kant af sværdet, og skubbe baglæns (mod operatøren), når der skæres langs øverste kant.

Sav fastklemt under skærearbejdet

Stop grensaven og gør den sikker. Forsøg ikke at tvinge kæde og sværd ud af snittet, da kæden risikerer at knække, som så kan svinge tilbage og ramme operatøren. Denne situation forekommer normalt, fordi træet er støttet ukorrekt, hvilket tvinger snittet til at lukke under komprimering, hvorved klingerne klemmes. Hvis en justering af støtten ikke løsner sværd og kæden, så brug trækiler eller en løftestang til at frigøre saven. Forsøg aldrig at starte grensaven, hvis sværdet allerede befinder sig i et snit eller i snitfugen.

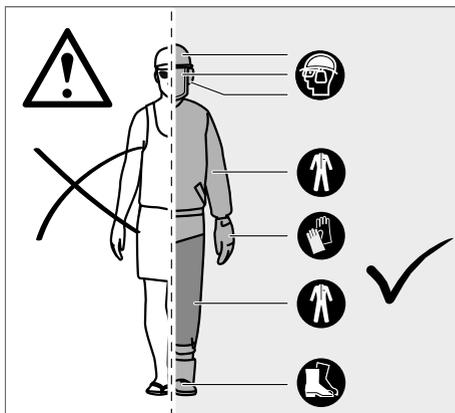
Skøjtning / Slag

Hvis grensaven ikke borer sig ind i materialet under skærearbejdet, kan sværdet begynde at hoppe eller på farlig vis glide langs overfladen på stammen eller grenen, hvilket kan føre til kontroltab over grensaven. For at mindske skøjtning og slag, skal saven altid bruges med begge hænder, samt der dannes en snittrille. Skær aldrig små, elastiske grene eller børster med din grensav. Deres størrelse og fleksibilitet kan nemt forårsage, at saven slår i mod dig, eller binder tilstrækkelig kraft til at forårsage et tilbageślag. Det bedste værktøj til den slags arbejde er en håndsav, beskæringsssaks, en økse eller andet håndværktøj.

Personligt beskyttelsesudstyr

Bær altid en hjelm, når der arbejdes med maskinen. En hjelm, udstyret med et trådvirer kan mindske risikoen for skader på ansigt og hoved i tilfælde af tilbageslag. Brug høreværn!

Personligt beskyttelsesudstyr i god kvalitet, som også bruges af professionelle håndværkere, kan mindske risikoen for skader på operatøren. De følgende dele bør bruges under arbejdet med maskinen:



Sikkerhedshjelm

bør være iht. EN 397 og CE-certificeret

Høreværn

bør være iht. EN 352-1 og CE-certificeret

Øjen- og ansigtsbeskyttelse

bør være CE-certificeret og iht. EN 166 (for sikkerhedsbriller) eller EN 1731 (svejservisir)

Handsker

bør være iht. EN381-7 og være CE-certificeret

Benbeskyttelse (læderbenklæder)

bør være iht. EN 381-5, være CE-certificeret og yde allround beskyttelsebør være iht. EN 381-5, være CE-certificeret og yde allround beskyttelse

Grensav sikkerhedsstøvler

bør være i ht. EN ISO 20345:2004 og være markeret med et skilt, som viser en grensav, som er iht. EN 381-3. (Lejlighedsvis brugere bør være iført sikkerhedsstøvler med gamacher og stålklapper til beskyttelse af tæerne iht. EN 381-9, hvis underlaget er jævnt, og der derfor er en lille risiko for at snuble eller miste fodfæstet)

Grensav jakker til beskyttelse af overkroppen

bør være iht. med EN 381-11 og være CE-certificeret

KEND DIN GRENSAV

- | | |
|------------------------------|------------------------------|
| 1 Håndtag foran | 11 Klo |
| 2 Forreste sikkerhedshåndtag | 12 Savkæde |
| 3 Aflåsningsenhed | 13 Sværd |
| 4 Hovedafbryder | 14 Sværdrille |
| 5 Håndtag bagved | 15 Kædedrev |
| 6 Kæde smørremiddel kapsel | 16 Hylster til drivkædehjul |
| 7 Tank til kædeolie | 17 Kædespændingsskruer |
| 8 Bagerste håndbeskyttelse | 18 sværdets monteringsmøtrik |
| 9 Kombinationsnøgle | 19 Sværdhylster |
| 10 Batteri | |

ADVARSEL!

Følg af ukorrekt vedligeholdelse, fjernelse eller ændringer af sikkerhedsfunktioner som tændingskontakt, sikkerhedshåndtag (for- og bag), klo, kædefanger, sværdet, lav-tilbageslag savkæden kan føre til, at sikkerhedsfunktionerne ikke virker rigtigt, og føre til øget fare for alvorlige kvæstelser.

Klo

Den integrerede klo kan bruges som en omdrejningsakse, når der skæres. Dette hjælper med at holde grensavens korpus stabil under skæreprcessen. Når der skæres, så skub maskinen fremad, indtil kloen graver sig ind i træets kant, bevæg da baghåndtaget op eller ned i retning af snitlinjen, og derved lettes den fysiske kraft ved skæring.

Sværd

Generelt udgør sværdnæser med ringe diameter en mindre risiko for tilbageslag. Du bør bruge et sværd og passende kæde, som lige præcis har den tilstrækkelige længde til arbejdet. Længere sværd øger risikoen for kontroltab under savearbejdet. Eftersø kædespændingen jævnligt. Når der skæres små grene (kortere end sværdets fulde længde) har kæden tendens til at blive smidt af ved ukorrekt spænding.

VEJLEDNING I DE RIGTIGE TEKNIKKER TIL GRUNDLÆGGENDE FÆLDNING, AFGRENING OG TVÆRSAVNING

Forståelse for kræfterne i træet

Når man forstår de retningsbestemte trykkræfter og belastninger inde i træet, kan man begrænse "fastklemningerne" eller i det mindste være forberedt på dem under savearbejdet. Spændinger i træet betyder, at fibre trækkes fra hinanden, og hvis man sårer i dette område, vil "saverillen" eller snittet være tilbøjelig til at åbne sig, når saven går igennem. Hvis en stamme understøttes på en savbuk, og enden rager ud over enden uden understøttelse, og der derefter genereres spænding på den øverste overflade som følge af vægten af den overhængende stamme, vil fibre blive trukket. På samme måde vil stammens underside blive sammenpreset, så fibre presses sammen. Hvis der foretages et snit i dette område, vil saverillen have tendens til at lukke sig sammen under savningen. Herved vil klingene blive fastklemte.

Afgrening af et træ

Afgrening er at fjerne grene fra et fældet træ. Når der afgrener, så lad lavere liggende store grene være til støtte af stammen over jorden. Fjern små grene i ét snit. Grene under spænding skal afskæres med fra bunden for at undgå at fastklemme saven.

Savning af træ i spænd

Træ i spænd kan være alle former for stamme- og grenstykker, stubbe på rødder eller unge træer, som er spændt under vægten af noget andet træ, således at det springer tilbage, hvis træet, der tynger fældes eller fjernes.

Når det sidste snit laves, inden et træ vælter, vil stubben på rødder evt. springe tilbage i lodret stilling. Vær opmærksom på spændt træ - det kan være farligt.

ADVARSEL! Spændt træ er farligt og kan ramme operatøren, og forårsage, at denne mister kontrollen over grensavens. Dette kan føre til alvorlige kvæstelser eller døden for operatøren. Dette skal udføres af uddannede brugere.

TILTÆNKT FORMÅL

Den ledningsfrie grensav er kun tiltænkt brugen udendørs.

Af sikkerhedsårsager skal grensavens være under passende kontrol, dvs. altid betjenes med to hænder.

Grensavens er beregnet til savning af grene, stammer, kævlér og bjælker på en diameter, bestemt af sværdets skærelængde. Den er kun beregnet til at skære træ. Den må kun bruges af voksne, som har modtaget en passende uddannelse vedr. farer og præventive tiltag/handlinger, som skal udføres, når grensavens bruges.

Brug ikke grensavens til andre formål end dem, som er oplyst under specifikke brugsforhold. Den er ikke beregnet til professionel træserviceudbydere, må ikke bruges af børn eller af personer, som ikke er iført passende personligt beskyttelsesudstyr og -beklædning.

ADVARSEL! Når grensavens bruges, skal sikkerhedsbestemmelserne følges. Mht. din egen og omkringståendes sikkerhed, skal du læse og helt forstå denne vejledning, før der arbejdes med grensavens. Du bør deltage i professionelle sikkerhedskurser vedr. brugen, præventionsiltag, førstehjælp, og vedligeholdelse af grensavens. Opbevar venligst denne vejledning på et sikkert sted for senere brug.

ADVARSEL! Grensavens er potentielt farligt værktøj. Ulykker i forbindelse med brugen af grensavens resulterer ofte i tab af lemmer og liv. Det er ikke kun grensavens, som er en kilde til fare. Nedfaldende grene, omstyrte træer, og rullende stammer kan alt sammen slå ihjel. Tømmer med sygdom eller råd udgør en yderligere fare. Du skal vurdere din evne til at udføre din opgave sikkert. Ved nogen tvivl, skal opgaven overlades til en ekspert.

Produktet må ikke anvendes på anden måde og til andre formål end foreskrevet.

RESTRISICI

Selv hvis produktet bruges korrekt, kan restrisici ikke helt udelukkes. Ved brug kan følgende risici opstå, og derfor bør brugeren lægge mærke til det følgende:

- IPersonskade forårsaget ved vibration
- Brug det rigtige værktøj til opgaven. Brug de foreskrevne håndtag. Vær restiktiv vedr. arbejdstid og udsættelse.
- Skade på hørelsen grundet udsættelse for støj
- Bær høreværn og vær restriktiv vedr. udsættelsen.
- Personskade forårsaget ved kontakt med savtakker fra kæden
- Personskade forårsaget ved nedfaldte stykker fra arbejdsmemnet (træstykker, splinter)
- Personskade forårsaget af støv og partikler
- Hudskader forårsaget af kontakt med smøreolier
- Dele udsprunget fra savkæden (skære/stikfarer)
- Uforudset, pludselig bevægelse, eller tilbageslag af sværdet (skudrefarer)"

NEDSÆTTELSE AF RISIKO

- Det er påvist, at vibrationer fra håndholdte værktøjer kan bidrage til det såkaldte Raynaud's Syndrom hos nogle mennesker. Symptomerne omfatter rystelse, følelseløshed og hvide fingre, som normalt er synligt ved kulde. Arvelige faktorer, udsættelse for kulde og damp, kure, rygning og arbejdsudvøelse tænkes alt sammen at bidrage til udviklingen af disse symptomer. Der kan foretages visse tiltag for operatøren til mulig minimering af vibrationseffekterne:
 - Hold din krop varm, når det er koldt. Bær handsker, når der arbejdes med enheden for at holde hænder og håndled varme.
 - Efter hver arbejdsperiode, skal der laves øvelser for at stimulere blodomløbet.
 - Tag hyppige pauser under arbejdet. Begræns mængden af udsættelse pr. dag.
 - Beskyttelseshandsker fra professionelle grensavforhandlere er specielt designet til grensavsbbrug, og yder beskyttelse, et godt greb, samt mindskere følgerne af håndtagsvibration. Disse handsker skal være iht. EN 381-7 og være CE-certificerede.
- Hvis du oplever nogle af symptomerne på denne tilstand, skal brugen ophøre øjeblikkeligt og en læge opsøges.

ADVARSEL! Skader kan forårsages, eller forværres af forlænget brug af et værktøj. Når et værktøj bruges længere end tilsigtet, så hold jævnlige pauser.

BEMÆRKNINGER VEDRØRENDE LI-ION-BATTERIER

Brug af Li-ion-batterier

Udskiftningsbat terier, der ikke har været brugt i længere tid, efterlades inden brug.

Ved temperaturer over 50°C forminskes batteriets effekt. Undgå direkte sollys og stærk varme.

Tilslutningskontakterne på oplader og udskiftningsbatterier skal holdes rene.

For at opnå en optimal levetid skal de genopladelige batterier oplades fuldt efter brug.

For at sikre en så lang levetid som muligt skal batterierne tages ud af ladeaggregatet efter opladning.

Skal batterierne opbevares længere end 30 dage:

Opbevar batteripakken på et sted, hvor temperaturen er under 27°C, og ikke i nærheden af fugt

Opbevares ved ca. 30%-50% af ladetilstanden.

Batteri skal genoplades hver 6. måned.

Overbelastningsbeskyttelse vedrørende Li-ion-batterier

Overbelastes batteriet på grund af meget højt strømforbrug, f.eks. som følge af ekstremt høje drejningsmomenter, pludseligt stop eller kortslutning, vibrerer el-værktøjet i 5 sekunder, ladeindikatoren blinker, og el-værktøjet slukker af sig selv.

For at tænde igen slippes trykknappen, hvorefter du tænder el-værktøjet igen. Ved ekstreme belastninger bliver batteriet for varmt. I så fald blinker alle lamper på ladeindikatoren, indtil batteriet er kølet af. Når ladeindikatoren går ud, kan arbejdet genoptages.

Transport af lithium-batterier

Lithium-batterier er omfattet af lovgivningen om transport af farligt gods.

Transporten af disse batterier skal ske under overholdelse af lokale, nationale og internationale regler og bestemmelser.

Forbrugere må transportere disse batterier på veje uden yderligere krav.

Den kommercielle transport af lithium-batterier ved speditorsfirmaer er omfattet af reglerne for transport af farligt gods. Forberedelsen af forsendelse og transport må kun udføres af tilsvarende trænede personer. Den samlede proces skal følges af fagfolk.

Følgende punkter skal overholdes ved transport af batterier:

Sørg for at kontakterne er beskyttet og isoleret for at forhindre kortslutninger.

Sørg for at batteripakken ikke kan bevæge sig inden for emballagen. Beskadigede eller lækende batterier må ikke transporteres. Kontakt dit speditorsfirma for at få yderligere oplysninger.

ARBEJDSANVISNINGER

SAMLING

Samling af savkæden og sværdet

ADVARSEL! Hvis dele er ødelagte eller mangler, må maskinen ikke bruges, før delene er udskiftede. Hvis denne advarsel ikke følges, kan det føre til alvorlig personlig skade.

Vær sikker på at fjerne batteriet. Brug beskyttelseshandsker!

1. Fjern monteringsmøtrikkerne til sværdet vha. den medleverede kombinations skruenøgle.
2. Fjern kædekassen.
3. Placer den kæden i den rigtige retning på sværdet og vær sikker på, at drevforbindelserne er på linje i sværdrillen.
4. Fastgør sværdet til grensavens og drej kæden rundt om kædehullet.
5. Udskift kædekassen og monteringsmøtrikkerne til sværdet.
6. Stram monteringsmøtrikkerne til sværdet med fingrene. Sværdet skal være fri til bevægelse for spændingsjustering af kæden.
7. Justér kædespændingen. Se sektionen "Justering af kædespændingen".
8. Hold enden af sværdet oppe, og stram monteringsmøtrikkerne til sværdet sikkert.

ADVARSEL! Savkæden er skarp. Bær altid beskyttelseshandsker når der udføres vedligeholdelsesarbejde på kæden.

Justering af kædespændingen

Fjern batteripakken før du udfører noget arbejde på grensavens.

For at øge kædespændingen, skrues kædespændingsskruen i urets retning, og kædespændingen efteres jævnligt. For at mindske kædespændingen, skal kædespændingsskruen skrues mod urets retning, og kædespændingen efteres jævnligt.

Kædespændingen er korrekt, hvis afstanden mellem takkerne i kæden og sværudet er på ca. 6,8 mm. Træk kæden ned mod midten af den lavere side af sværudet (væk fra sværudet) og mål afstanden mellem sværd og kædetakker. Tighen monteringsmøtrikkerne til sværudet ved at dreje mod urets retning.

Bemærk: Kæden må ikke overspændes - for meget spænding kan føre overbelastning og føre til forkortelse af kædens levetid og ødelæggelse af sværudet. Nye kæder kan evt. strække og løse sig under den første brug. Fjern batteripakken og efterse kædespændingen hyppigt i løbet af de første timers brug. Kædens temperatur stiger ved almindeligt arbejde, hvilket får kæden til at strække sig. Efterse kædespændingen jævnligt og justér som påkrævet. Spændes kæden, mens den er varm, er den måske for stram efter afkøling. Vær sikker på, at kædespændingen er korrekt justeret, som specificeret i disse instruktioner.

Indsmøring af kæden med olie

ADVARSEL! Arbejd aldrig uden kædesmøremiddel. Hvis savkæden løber uden smøremiddel, kan sværd og savkæde blive ødelagt. Det er vigtigt at kontrollere olieniveauet i beholderen jævnligt, og før grensaven bruges. Sørg for, at tanken er mindst ¼ fyldt, for at sikre, at der er nok olie til arbejdet.

Bemærk: Det anbefales at anvende en vegetabilsk baseret kædeolie ved beskæring af træer. Mineralolie kan skade træerne. Brug aldrig spildolie, olie til køretøjer eller meget tykke olier. Disse kan ødelægge grensaven. Aftør overfladen rundt om oliekaplsen for at forhindre tilsmudsning.

1. Skru og fjern kapslen fra olietanken.
2. Hæld olie ind i olietanken og overvåg oliestanden.
3. Tag oliekaplsen på igen og skru til. Aftør evt. spildt olie.

Hvordan grensaven holdes

Hold altid grensaven med din højre hånd på baghåndtaget og din venstre hånd på håndtaget foran. Grib begge håndtag med tommel- og fingre rundt om håndtagene.

Start grensaven

Før grensaven startes, skal batteripakken installeres i grensaven.

Genstartsbeskyttelse

El-værktøjet er forsynet med en genstartsbeskyttelse.

Det forhindrer det tændte el-værktøj i at starte igen af sig selv, når batteripakken er indsat, og fra at genstarte efter en slukning af batteripakken.

Hvis sværudet er uden på træet, skal strømmen til maskinen afbrydes og tændes igen for at fortsætte arbejdet.

Hvis sværudet er inde i træet, skal du vente, indtil savkæden er gået helt i stå. Sørg for, at afbryderen er i slukket position. Fjern batteripakken fra maskinen og sværudet fra snittet. Isæt batteripakken, og tænd derefter igen for maskinen for at fortsætte arbejdet.

TRANSPORT OG OPBEVARING

Smør altid kæden med lidt olie under opbevaring, så den ikke rustner. Tøm altid olietanken under opbevaring for at undgå lækage.

Stop maskinen, fjern batteriet, og lad den afkøle for opbevaring eller transport.

Fjern alt fremmed materiale fra maskinen. Opbevar maskinen på et køligt, tørt, og vel-ventileret sted uden adgang for børn. Holdes væk fra ætsende stoffer, så som havekemikalier og tørsalt. Opbevar den ikke udendørs.

Tag hylsteret på sværudet før maskinen opbevares eller under transport.

Ved transport i køretøjer, skal maskinen sikres mod bevægelser eller fald for at undgå skade på personer eller maskine.

RENGØRING

Rens snavs og rester fra åbninger. Hold håndtaget rent, tørt og fri for olie eller fedt. Benyt kun mild sæbe og en fugtig klud til at rense med, da bestemte rengørings- og opløsningsmidler er skadelige for plastik og andre isolerede dele. Nogle af disse er benzin, terpentin, lakfortyndere, malingsfortyndere, klorholdig rensbenzin, ammoniak og rengøringsmidler til husholdningsbrug, som indeholder ammoniak. Benyt aldrig letantændelige eller brændbare opløsningsmidler i nærheden af værktøjer.

VEDLIGEHOLDELSE

ADVARSEL! Brug kun Milwaukee-tilbehør og Milwaukee-reservedele. Hvis dette ikke gøres, kan det føre til personskade eller påvirke savens funktion negativt, hvilket kan have indflydelse på evt. garantikrav.

Brug kun Milwaukee-tilbehør og Milwaukee-reservedele. Komponenter, hvor udskiftningsproceduren ikke er beskrevet, skal skiftes ud hos et Milwaukee-servicecenter (se brochure garanti/kundeserviceadresser).

ADVARSEL! Vedligeholdelse kræver ekstrem pleje og viden, og bør kun udføres af en faguddannet tekniker. Ved service anbefaler vi dig at sende maskinen hen til din nærmeste MILWAUKEE service station, hvis der er behov for reparation. Når der udføres service, må der kun anvendes identiske reservedele.

ADVARSEL! Fjern batteriet forud for justeringer, vedligeholdelse eller rengøring. Sker dette ikke, er der risiko for alvorlige kvæstelser. Du må kun foretage justeringer eller reparationer, som beskrevet i denne vejledning. Vedr al anden reparation skal en fagmand kontaktes.

Følgerne af ukorrekt vedligeholdelse kan blive, at kædenbremsen eller andre sikkerhedsfunktioner ikke fungerer rigtigt, og således øges risikoen for alvorlige kvæstelser.

Hold din grensav professionelt vedligeholdt og sikker. • At slibe kæden sikkert, er en opgave for en fagmand. Derfor anbefaler producenten på det kraftigste, at slidte eller sløve kæder udskiftes med nye, som fås hos din MILWAUKEE service partner. Komponentnummeret findes i produktspecifikationstabellen i denne vejledning.

Følg instruktionerne, når du smører og eftersér og justerer kædespændingen.

Efter hver brug skal maskinen rengøres med en blød tør klud.

Fjern træstykker, snavs og rester i batterikassen.

Eftersé alle møtrikker, bolte og skruer med jævne mellemrum af sikkerhedsmæssige årsager, for at sikre, at maskinen er i en sikker arbejdsfærdig tilstand. Alle beskadigede dele skal repareres korrekt eller udskiftes på en MILWAUKEE service station.

Udskiftning af sværudet og savkæden

Bær beskyttelseshandsker.

1. Fjern batteripakken
2. Fjern sværdhylsteret
3. Fjern monteringsmøtrikkerne til sværudet vha. den medleverede kombinations skrueøgle.
4. Fjern kædekassen.
5. Reducer savkædens spænding. Se afsnittet "Justering af kædespændingen".
6. Fjern den gamle kæde sammen med sværudet
7. Placér den nye kæde i den rigtige retning på sværudet og vær sikker på, at drevforbindelserne er på linje i sværdrillen.
8. Fastgør sværudet til grensaven og drej kæden rundt om kædehullet.
9. Udskift drivhullets dæksel og stangmonteringsmøtrik.
10. Stram stangens monteringsmøtrik med fingrene.
11. Sværudet skal være frit at bevæge sig for at justere kædespændingen.
12. Justér kædespændingen. Se sektionen "Justering af kædespændingen".
13. Hold enden af sværudet oppe, og stram monteringsmøtrikkerne til sværudet sikkert.

ADVARSEL! En sløv eller dårligt slebet kæde kan medføre en for høj hastighed af motoren under skærearbejdet, og føre til alvorlig motorskade.

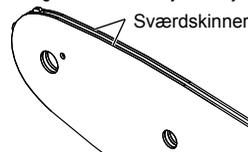
ADVARSEL! Ukorrekt slibning af kæden øger risikoen for tilbageslag.

ADVARSEL! Hvis en ødelagt kæde ikke udskiftes eller repareres, kan det føre til alvorlige kvæstelser.

ADVARSEL! Savkæden er skarp. Bær altid beskyttelseshandsker når der udføres vedligeholdelsesarbejde på kæden.

Vedligeholdelse af sværudet.

Når sværudet viser tegn på slid, skal du vende sværudet om på saven for at fordele sliddet for maksimal sværdlevetid. Sværudet bør rengøres hver dag efter brug og kontrolleres for slitage og skader. Fjerning eller afgratning af sværdskinne er en normal proces med stangslid. Sådanne fejl bør udføres med en fil, så snart de opstår.



Et sværd med en af følgende fejl skal udskiftes.

- Belastning inde i sværdskinne, som gør det muligt for kæden at ligge over sidelæns.
- Bøjte sværd.
- Revnede eller knækkede skinner.
- Spredte skinner.

Sværd med tandhjul i spidsen skal smøres hver uge Brug en fedtsprøjte til at smøre ugentlig i smørehullet. Drej sværudet og kontroller, at smørehullerne og sværdskinne er fri for urenheder.

Vedligeholdelseskema

Daglig eftersyn

Kædesmøremiddel	Før hver brug
Kædespænding	Før hver brug og hyppigt
Kædeskarphed	Før hver brug, synskontrol
For beskadigede dele	Før hver brug
For løse fastgørelseskomponenter	Før hver brug
Sværd	Før hver brug
Hele saven	Efter hver brug

Reserve dele (Sværd og kæde)

Producent	MILWAUKEE	OREGON
Kæde	4932 4801 76	90F033XTR
Sværd	4932 4801 69	360804

Kæden skal være forsynet med sværd fra den saamme producent iht. ovennævnte kombinationer.

Vist adskilt

Ved opgivelse af type nr. der er angivet på maskinens effektskilt, kan de rekvirere en reservedelstegning, ved henvendelse til: Techtronic Industries GmbH, Max-Eyth-Straße 10, 71364 Winnenden, Germany.

SYMBOLER

	Læs brugsanvisningen nøje før ibrugtagning.
	VIGTIGT! ADVARSEL! FARE!
	Ved arbejde inden i maskinen, bør batteriet tages ud.
	Udsæt ikke maskinen for regn.
	Må ikke bruges med én hånd
	Brug altid grensaven med begge hænder
	Bær beskyttelseskko med skærebekyttelse, såle med greb og ståltær!
	Brug beskyttelseshandsker!
	Brug altid sikkerhedstøj og fast fodtøj.
	Bær en beskyttelseshjelm. Brug høreværn! Brug sikkerhedsbriller.
	Vær opmærksom på grensav tilbageslag og undgå kontakt med næsen af sværudet
	Hold tilstedeværende personer mindst 15 m. væk under brug.
	Kædeoliebeholder
	Drej for at justere kædespændingen
	Kædeløbsretning
	Tilbehør - Ikke inkluderet i leveringsomfanget, køb købes som tilbehør.



Udtjente batterier, affald af elektrisk og elektronisk udstyr må ikke bortskaffes sammen med husaffald. Udtjente batterier, affald af elektrisk og elektronisk udstyr skal indsamles og bortskaffes særskilt. Fjern udtjente batterier, udtjente akkumulatorer og lysmidler fra udstyret, inden det bortskaffes. Spørg efter genbrugsstationer og indsamlingssteder hos de lokale myndigheder eller din fagforhandler. Alt efter de lokale bestemmelser kan detailhandelnde være forpligtede til gratis at tage brugte batterier, affald af elektrisk og elektronisk udstyr tilbage. Bidrag til at nedbringe behovet for råmaterialer ved at genbruge og genanvende dine udtjente batterier, affald af elektrisk og elektronisk udstyr. Udtjente batterier (især lithium-ion-batterier), affald af elektrisk og elektronisk udstyr indeholder værdifulde, genanvendelige materialer, som kan have en negativ effekt på miljøet og dit helbred ved ikke miljørigtig bortskaffelse. Slet inden bortskaffelsen personrelaterede data, som måtte befinde sig på dit affald af udstyret.



Garanteret lydeffektniveau 79 dB(A)

v_0

Hastighed for kæden i tomgang

V

Spænding



Jævnstrøm



Europæisk konformitetsmærke



Britisk konformitetsmærke



Ukrainsk konformitetsmærke



Eurasisk konformitetsmærke

TEKNISKE DATA

M18 FHS20

Type	grensag
Produktionsnummer	4916 50 01 XXXXXX MJJJ
Spenning vekselbatteri	18 V \equiv
Kjedehastighet uten motstand	4,8 m/s
Sverdlengde maks.	8" / 200 mm
Effektiv skjærelengde	7,4" / 189 mm
Volum oljetank	77 ml
Vekt i henhold til EPTA-Prosedyren 01/2014 01/2014 (Li-Ion 2.0 Ah .. 12.0 Ah)	2,8 kg 3,9 kg
Anbefalt omgivelsestemperatur for drift	-18 ... +50 °
Anbefalte batteripakker	M18B...; M18HB...
Anbefalte ladere	M12-18...; M1418C6

Støyinformasjon: Måleverdier fastslått i samsvar med EN 62841. Det typiske

A-bedømte støyinnivået for maskinen er:

Lydtrykknivå / Usikkerhet K= 81 dB (A) / 3 dB (A)

Lydeffektnivå / Usikkerhet K= 89 dB (A) / 3 dB (A)

Bruk hørselsvern!

Vibrasjonsinformasjoner: Totale svingningsverdier (vektorsum fra tre retninger) beregnet jf. EN 62841.

Svingningsemisjonsverdi a_n / Usikkerhet K= 4,9 m/s² / 1,5 m/s²

⚠ ADVARSEL!

De angitte vibrasjonseksposering- og støyinnivåverdiene har blitt målt i samsvar med standardiserte målemetoder jmfør EN 62841 og kan brukes til å sammenligne et verktøy med et annet. De kan brukes til en foreløpig eksponeringsvurdering.

De angitte vibrasjonseksposering- og støyemissionsverdiene gjelder for vanlig bruk av verktøyet. Dersom verktøyet blir brukt til noe annet, sammen med annet utstyr eller er dårlig vedlikeholdt kan de angitte vibrasjonseksposering- og støyverdiene variere. Dette kan øke eksponerings- og emisjonsverdiene betraktelig for hele perioden du bruker verktøyet.

Når en vurderer vibrasjonseksposeringsnivået og støyverdi må en inkludere den perioden som verktøyet er slått av eller når verktøyet går, men ikke direkte brukes til noe. Dette kan redusere eksponeringsnivået betraktelig over hele perioden som verktøyet er i bruk.

Det er viktig å etablere ytterligere sikkerhetstiltak for å beskytte brukeren mot påvirkning av vibrasjon og/eller støy, slik som: vedlikehold av verktøyet og tilleggsutstyr, hold hendene varme, organiserte arbeidsrutiner.

Bruk hørselsvern. Støy kan føre til tap av hørselen

⚠ ADVARSEL! Les alle sikkerhetsanvisninger, instruksjoner, bildeforklaringer og data som fulgte med maskinen. Hvis du ikke følger følgende anvisninger, kan det oppstå elektriske støt, ild og/eller store skader.

Ta godt vare på alle advarslene og informasjonene.

ALLMENNE GRENSAG SIKKERHETSADVARSLER

a) Alle kroppsdeler skal holdes på avstand fra grensagen når den er i bruk. Før du starter grensagen, er det viktig å kontrollere at den ikke berører noe. Et øyeblikk uaktsomhet kan føre til at klær eller kroppsdeler hefter seg fast i grensagen når den er i bruk.

b) Når du holder grensagen, skal høyre hånd alltid være på bakerste håndtak og venstre hånd på det fremre håndtak. Dersom du holder grensagen omvendt av dette, vil dette øke risikoen for personskader, og må derfor aldri gjøres.

c) Grensagen skal kun holdes i de isolerte gripeoverflatene, ettersom kjedet kan komme i kontakt med en skjult strømkrets. Dersom kjedet kommer i kontakt med en ledning med strøm, kan også synlige metalldele på grensagen lades og gi brukeren et elektrisk støt.

d) Bruk vernebriller. Det er også anbefalt å bruke verneutstyr for hørsel, hode, hender, bein og føtter. Passende verneutstyr reduserer personskader ved flygende produktrester eller dersom en kommer i kontakt med kjedet ved et uhell.

e) Ikke bruk sagen oppe i et tre, i en stige, på et tak eller annet ustabil underlag. Dersom grensagen brukes her, kan dette føre til alvorlige personskader.

f) Vær nøye på å ha ordentlig fotfeste og bruk grensagen kun når du står på en stillestående, sikker og jevn overflate. Glatt eller ustabil overflate kan føre til at du mister balansen eller mister kontrollen over grensagen.

g) Dersom du sager i et objekt som står i spenn, må du være forberedt på at det spretter tilbake. Når spenningen i trefibrene frigjøres, kan det spente objektet treffe brukeren og / eller kaste grensagen ut av kontroll.

h) Vær veldig forsiktig når du sager busker eller ungrær. Tynne grener kan hefte seg fast i motorsagen og deretter sprette mot deg eller trekke deg ut av balanse.

i) Bær grensagen i det fremste håndtaket mens grensagen er slått av og hold den bort fra kroppen. Bruk alltid sagsverdbeskyttelsen når grensagen transporteres eller lagres. Riktig behandling av grensagen reduserer sannsynligheten for å berøre kjedet ved et uhell når det er i bevegelse.

j) Følg instruksjoner for smøring og skifte av sverd og kjede. Dersom kjedet er strammet eller smørt feil kan den brenne eller øke sjansen for at den kast.

k) Håndtakene skal være tørre, rene og helt fri for olje- og smøringsflekker. Håndtak med smøring- eller oljeflekker er glatte. Dette kan føre til at en mister kontrollen.

l) Sag kun i treverk. Ikke bruk grensagen til andre formål enn den er ment for. For eksempel: ikke bruk grensagen til å sage metall, plastikk, murverk eller byggmaterialer som ikke er av treverk. Dersom grensagen brukes til annet en det den er ment for, kan dette føre til en farlig situasjon.

Følg alle anvisninger når du fjerner innklemt materialer, lagring eller vedlikehold av grensagen. Vær sikker på at den er slått av og at batteriet er tatt ut. Skulle grensagen starte uventet mens du fjerner innklemt materialer eller gjør vedlikehold kan dette føre til alvorlige personskader.

Årsaker og måter brukeren kan forhindre kast:

Et kast kan oppstå når nesen eller spissen av sagsverdet berører gjenstanden, eller når treverket klemmes sammen og klyper kjedet mens den sager.

Berøring med spissen kan i noen tilfeller føre til en plutselig returbevegelse, skyte sagsverdet opp og tilbake mot brukeren.

Klemme kjedet mot oversiden av sagsverdet kan skyve sagsverdet tilbake mot brukeren i en voldsom fart.

Begge disse reaksjonene kan føre til at du mister kontroll over sagen, som igjen kan føre til alvorlige personskader. Du må ikke stole blindt på det innebygde sikkerhetsutstyret i sagen.

Som bruker av grensagen bør du ta flere forholdsregler unngå uheld og skader når du sager.

Kast forekommer ved misbruk av grensagen og/eller feil driftsprosedyrer eller -forhold og kan unngås med riktige forholdsregler som angitt nedenfor:

a) Hold et godt grep med tomme og resten av fingrende rundt håndtakene, begge hendene skal holdes på sagen og plasser kroppen og armen slik at du kan motstå et kast. Krefte ved et kast kan kontrolleres av brukeren dersom han tar riktige forholdsregler. Ikke slipp taket på grensagen.

b) Ikke bøy deg for langt forover og sag aldri over skulderhøyde. Dette forhindrer ufrivillig berøring med spissen og gir deg bedre kontroll over grensagen i uventede situasjoner.

c) Bruk kun reservesverd og kjeder som er spesifisert av produsenten. Dersom det brukes feil reservesverd eller kjede kan dette føre til kast eller at kjedet slites.

d) Følg produsentens anvisninger for filing og vedlikehold av sagkjedet. Redusert rytterhøyde kan føre til økt kast.

YTTERLIGE SIKKERHETS- OG ARBEIDSSINSTRUKSJONER

Det anbefales å bruke en sagbukke eller en holder når du bruker sager for første gang.

Tjoring

Tjores kun med energiabsorberende tau. Fest tauet kun til løkken tiltenkt dette.

Ikke fest tauet til håndtaket, sagsverdbeskyttelsen eller på et annet sted på verktøyet.

Pass på at alle sperrer, håndtak og barkstøtten er sitter godt og er i god tilstand.

Personer som bruker grensagen må være friske. Grensagen er tung, så brukeren må være i god fysisk form.

Brukeren må være oppvakt, ha godt syn, balanse, og være bevegelig og fingerferdig. Dersom det er noen form for tvil, skal han ikke bruke grensagen.

Ikke start arbeidet med grensagen før du har ryddet arbeidsområdet, har sikkert fotfeste og har planlagt en retrettveg bort treet som faller. Vær oppmerksom på utslipp av smøringsos og sagflis. Bruk maske eller respirator om nødvendig.

Ikke sag i ranker og / eller kratt.

Grensagen skal alltid holdes med begge hender når den brukes. Ta et godt tak med tommelen og alle fingrene rundt grensaghandtaket. Høyre hånd skal alltid være på bakerste håndtak og venstre hånd på det fremre håndtaket.

Før du starter grensagen er det viktig å kontrollere at den ikke berører noe.

Du må aldri modifisere grensagen på noe som helst måte, eller bruke den til å drive annet tilbehør eller andre enheter, som ikke er godkjent av produsenten av grensagen din.

Ha alltid et førstehjelpskrin med store bandasjer/sårforbindelser og noe som tiltrekker oppmerksomhet (f.eks en fløyte) nær brukeren. Et større og mer omfangsrikt skrin skal være tilgjengelig innen rimelig avstand.

Er kjedet strammet feil kan det hoppe av sagsverdet og føre til alvorlige eller dødelige skader. Kjedes lengde er avhengig av temperaturen. Kjedestrømmingen må kontrolleres regelmessig.

Gjør deg kjent med den nye grensagen din ved å utføre enkle kutt i treverk som godt sikret. Dette bør du alltid gjøre etter at du ikke har brukt sager på en stund. For å redusere faren for personskaade ved berøring av bevegelige deler, stans alltid motoren, fjern batteriet og kontroller at alle bevegelige deler har stanset før:

- rengjør og fjerner blokkeringer
- forlater aldri maskinen uten oppsyn
- monterer eller fjerner tilleggsutstyr
- sjekker, utfører vedlikehold eller arbeider på maskinen

Størrelsen på arbeidsområdet avhenger av selve jobben, men også størrelsen på treet eller trestykket det handler om. For eksempel, å felle et tre krever et større arbeidsområde enn andre saginger, f.eks. kvisting, o.s.v. Brukeren må være oppmerksom på og ha kontroll over alt som skjer innen arbeidsområdet.

Ikke sag med kroppen, sagsverdet og kjedet plassert i en linje. Dersom du opplever et kast, hjelper dette med å unngå at kjedet treffer hodet eller kroppen din.

Ikke beveg sager frem og tilbake, som i en sagebevegelse, la kjedet gjøre jobben. Hold kjedet skarpt og ikke prøv å trykke kjedet gjennom snittet.

Ikke øv trykk på sager på slutten av sagingen. Vær klar til å ta vekten av sager når den er igjennom treet. Dersom dette ikke gjøres, kan det føre til mulige alvorlige personskaader.

Ikke stopp sager midt i sagingen.

La sager gå til den er fjernet helt fra snittet. På-/av-bryteren må ikke klemmes fast under håndholdt drift.

Ta ut vekselbatteriet før du arbeider på maskinen

ADVARSEL! For å unngå fare for en brann forårsaket av en kortslutning, av personskaader eller skader av produktet, må det forhindres at batteripakken eller laderen dypes i væsker og også sørges for at ingen væsker kan komme inn i apparatene eller batteriene. Korroderende og ledende væsker som saltvann, visse kjemikalier og blekemidler eller produkt som inneholder blekemidler kan forårsake en kortslutning.

Vekselbatterier av systemet M18 skal kun lades med lader av systemet M18. Ikke lad opp batterier fra andre systemer.

Ikke åpne vekselbatterier og ladere, de skal oppbevares i tørre rom. Beskyttes mot fuktighet.

Skyv og trekk

Reaksjonskreftene er alltid motsatt til den retningen kjedet beveger seg i. Derfor må brukeren være forberedt på å ha kontroll over at maskinen tendenslitt vil trekke seg vekk (bevege seg framover) når han sager med undersiden av sverdet og vil skyve seg bakover (mot brukere) når han sager med oversiden av sverdet.

Sagen er klemt fast under sagingen

Stopp grensagen og gjør den sikker. Ikke prøv å fjerne kjedet og sverdet med makt ut av snittet, da dette mest sannsynlig til slite kjedet. Kjedet kan da svinge tilbake og treffe brukeren. En slik situasjonen oppstår som regel når treet ikke er støttet på riktig måte, som gjør at snittet lukkes under trykk og klemmer fast bladet. Dersom det å justere støtten ikke løser sverdet og kjedet, bruk trekiler eller et brekkjern for å åpne snittet og løsne sager. Sagen må aldri startes nå sverdet allerede er i snittet.

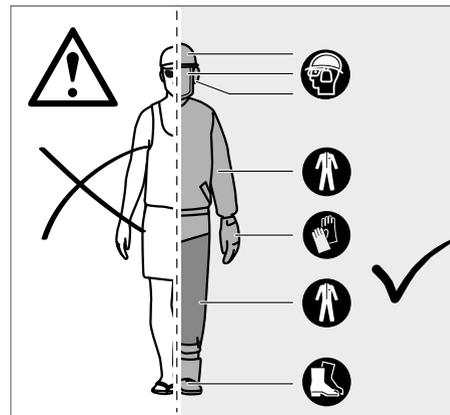
Gliding / spretting

Når grensagen ikke greier å arbeide seg inn når den sager, vil sverdet begynne å hoppe og gli farlig langs overflaten av stammen eller greinen. Dette kan føre til at du mister kontroll over grensagen. For å forhindre denne glidingen eller sprettingen må sager alltid holdes med begge hender for å være sikker på at kjedet lager et spor for sagingen. Du må aldri sage i små, bevegelige grener eller busker med grensagen din. Størrelsen og fleksibiliteten kan lett føre til at sager spretter mot deg eller bygger opp nok kraft til å forårsake et kast. Det beste verktøyet til denne bruken er en håndsag, beskjæringsaks, en øks eller annet håndverktøy.

Personlig verneutstyr

Bruk hjelm hele tiden når du arbeider med maskinen. En hjelm med visir kan redusere risiko for skade i ansikt og hode i tilfelle et kast. Bruk hørselsvern!

Personlig verneutstyr av god kvalitet, som brukes av profesjonelle, vil redusere risikoen for at brukeren skader seg. Følgende utstyr bør brukes når en arbeider med maskinen:



Sikkerhetshjelm

bør tilsvare EN 397 og være merket med CE

Hørselsvern

bør tilsvare EN 352-1 å være merket med CE

Vernebriller og visir

bør være merket med CE og tilsvare EN 166 (for vernebriller) eller EN 1731 (for nettvisir)

Hansker

bør tilsvare EN381-7 og være CE merket

Benbeskyttelse (lårings)

bør tilsvare EN 381-5 å være merket med CE, og gi beskyttelse hele veien rundt bår tilsvare EN 381-5 å være merket med CE, og gi beskyttelse hele veien rundt

Grensag vernestøvler

bør tilsvare EN ISO 20345:2004 og være merket med et skjold som viser en grensag for å vise at den tilsvarer EN 381-3. (bruker man grensagen bare en gang i blant kan en bruke vernestøvler med stålhette og sikkerhetshette som tilsvarer EN 381-9 dersom underlaget er jevnt og det er liten risiko for å snuble eller henge seg fast i kratt)

Grensagjakke for beskyttelse av overkroppen

bør tilsvare EN 381-11 å være merket med CE

BLI KJENT MED DIN GRENSAG

1	Skaft foran	11	Barkstøtte
2	Kastbeskyttelse	12	Sagskjede
3	Låseanordning	13	Sagsverd
4	Strømbryter	14	Sverdspor
5	Bakre håndtak	15	Kjededrivverk
6	Oljetopp	16	Deksel på kjedehjul
7	Kjedeutjetank	17	Kjedestrammeskrue
8	Bakre håndbeskyttelse	18	sverdmutter
9	Kombinøkkel	19	Sagsverdbeskyttelse
10	Batteri		

ADVARSEL!

Konsekvensene av dårlig vedlikehold, fjerning eller endring av sikkerhetsegenskaper, starteren, håndbeskyttelsen (foran og bak), barkstøtten, kjedefangeren, sagsverdet, kjede med lav risiko for tilbakekast kan føre til at sikkerhetsfunksjonene ikke fungerer som de skal, og på denne måten øke risikoen for alvorlige personskaader.

Barkstøtte

Den integrerte barkstøtten kan brukes som roteringspunkt når du sager. Den hjelper til med å holde grensagens kropp stille mens den arbeider. Dersom du skyver du maskinen frem til taggene graver seg inn i kanten på treet, deretter ved å bevege det bakre håndtaket opp eller ned i den retningen du sager kan dette redusere fysisk anstrengelse når du sager.

Sagsverd

Generelt sett har sagsverd med en spiss med liten radius et noe mindre potensial for kast. Du bør bruke et sagsverd og matchende sag som er akkurat passe lang for jobben som skal gjøres. Lengre sverd øker risikoen for miste kontrollen under saging. Kontroller kjedestrømmingen regelmessig. Når du sager mindre greiner (mindre enn sverdet hele lengde) er det mer sannsynlig at kjedet hopper av dersom kjedet ikke er strammet riktig.

ANVISNINGER FOR RIKTIG TEKNIKK VED ENKEL FELLING, KVISTING OG FELLESKÅR

Forstå kreftene i treverket

Dersom du forstår retningen på spenningen og trykket inni treverket, kan du redusere «klemmene» eller i de minste vet du hva du må forvente når du sager. Spenning i treverket betyr at fibrene trekkes fra hverandre, og dersom du sager i dette området, har snittet en tendens til å åpne opp i det du sager igjennom. Dersom stammen er støttet på en sagbukke og enden henger usikkert utom bukken, skapes det spenning på den øvre overflaten på grunn av vekten fra den delen av stammen som henger utenfor bukken øver på fibrene. På samme måte øves det press på undersiden av stammen og fibrene trykkes sammen. Dersom det sages i dette området, vil snittet ha en tendens til å lukkes igjen under sagingen. Dette vil klemme sagbladet.

Kvisting av treet

Kvisting er å fjerne greinene fra et felt tre. Når du kvister, lar du de nedre kvistene støtte stammen opp fra bakken. Fjern små kvister i et kutt. Greiner som står under spenning skal skjæres fra bunnen og oppover for å unngå at grensagen blir sittende fast.

Sage stammer under spenning

Stammer under spenning er stammer, greiner, rotstubber eller ungtrær som spnn mellom annet tre. Disse vil skyte tilbake dersom treet som holder det blir fjernet.

Når du kapper av stammen på et tre som har falt overende for å frigjøre den fra roten, vil rotstubben mest sannsynlig skyte tilbake til en oppreist stilling. Vær oppmerksom på stammer står under spenning - de er veldig farlige.

ADVARSEL! Spente stammer er farlige og kan treffe brukeren, slik at han mister kontrollen over grensagen. Dette kan føre til alvorlige og livstruende skader på brukeren. Dette skal kun utføres av brukere med riktig opplæring.

FORMÅLSMESSIG BRUK

grensag uten ledning er kun egnet til utendørs bruk.

Av sikkerhetsmessige årsaker må motorsaken kontrolleres ved å holde begge hendene på sager hele tiden under bruk.

grensagen er ment for å kappe greiner, stubber, stammer og bjelker med en diameter som bestemmes sagsverdet skjærelengde. Sagen er kun laget for å skjære i tre. Den skal bare brukes av voksne som har fått tilstrekkelig opplæring om farene og forebyggende tiltak ved bruk av grensagen.

Ikke bruk grensagene til noe som ikke er oppført i bruksanvisningen. Den skal ikke brukes av profesjonelle hogstmenn. grensagen skal ikke brukes av barn eller personer som ikke bruker tilstrekkelig personlig verneutstyr og klær.

⚠ ADVARSEL! Ved bruk av grensagen må sikkerhetsreglene følges. For din egen og andre personer i nærheten sikkerhet må du lese og forstå disse instruksjonene helt før du bruker grensagen. Du bør delta på et faglig organisert sikkerhetskurs i bruk, forebyggende tiltak, førstehjelp og vedlikehold av grensager. Vennligst behold disse instruksjonene tilgjengelig for senere bruk.

⚠ ADVARSEL! grensager er potensielle farlige verktøy. Ulykker som involverer bruk av grensager, resulterer ofte i tap av lemmer eller til døden. Det er ikke bare grensagen som utgjør fare. Fallende grener, velteende trær, og rullende stammer kan alle drepe. Syke eller råttne tømmer utgjør ytterligere farer. Du bør vurdere din evne til å fullføre oppgaven på en sikker måte. Hvis det er noen form for tvil, overlatt jobben til en profesjonell hogstmann.

Dette apparatet må kun brukes til de oppgitte formål.

RESTFARER

Selv ved sakkyndig bruk av produktet kan restfarer ikke helt utelukkes. Ved bruk kan følgende risikoer oppstå og derfor må bruker ta hensyn til følgende:

- Iskader som kommer fra vibrasjoner
Bruk riktig verktøy til jobben. Bruk riktig håndtak. Begrens arbeidstiden og utsettelse.
- Hørselskader på grunn av støy
Bruk hørselsvern og begrens påvirkningen av støy.
- Skader ved å berøre tennene på kjedet
- Skader på grunn av deler som kastes ut av arbeidsstykket (trebiter og fliser)
- Skader fra støv og partikler
- Hudskader ved berøring av smøring
- Deler kastet ut av kjedet (fare for kutt / injeksjoner)
- Uforutsette, plutselige bevegelser eller kast fra sagsverdet (fare for kutt)

RISIKOREDUKSJON

- Rapporter tilsier at vibrasjoner fra håndholdte verktøy kan hos enkelte personer bidra til en tilstand som kalles Raynauds fenomen. Symptomene kan være kribling, nummenhet eller bleike flekker på hendene. Arvelige faktorer, eksponering for kulde og fuktighet, kosthold, røyking og arbeidspraksis antas å bidra til utviklingen av disse symptomene. Det er tiltak som kan tas av brukeren for å muligens redusere effektene av vibrasjon:
- Hold kroppen varm i kaldt vær. Når du bruker utstyret bør du bruke hansker som holder hendene og håndleddene varme.
- Etter at du har arbeidet en stund, bør du gjøre noen øvelser for å øke blodsirkulasjonen.
- Ta ofte en pause. Begrens den daglige mengden du utsetter for farene for.
- Vernehansker som er tilgjengelig i profesjonelle grensagforhandlere er designet ekstra for arbeid med grensag, og gir beskyttelse, godt grep og reduserer effekten av vibrasjonene i håndtaket. Disse hanskene bør være i samsvar med EN 381-7 og må være merket med CE.

Dersom du merker symptomer av denne tilstanden, bør du kontakte lege umiddelbart.

⚠ ADVARSEL! Skader kan oppstå eller forverres ved langvarig bruk av et verktøy. Når du bruker et verktøy over lengre perioder, bør du ta regelmessige pauser.

INFORMASJON SOM GJELDER LI-ION BATTERIPAKKER

Bruk av Li-Ion batteripakker

Vekselbatterier som ikke er brukt over lengre tid skal etterlades før bruk.

En temperatur over 50°C reduserer vekselbatteriets kapasitet. Unngå oppvarming i sol eller ved varmeovner (fyring) i lengre tid.

Hold tilkoplingskontaktene på lader og vekselbatteri rene.

For optimal holdbarhet må batteriene lades opp helt etter bruk.

For å sikre en lengst mulig brukstid av batteriene skal disse etter oppladning taes ut av laderen.

Ved lagring av batteriene lengre enn 30 dager:

Batteriet skal lagres på temperaturer under 27 °C og unna fuktighet

Lagre batteriet ved en oppladningstilstand på ca. 30%-50%.

Lade opp batteriet igjen etter 6 måneder.

Overlastvern i Li-Ion batteripakker

Ved overbelastning av det oppladbare batteriet p.g.a. svært høyt strømforbruk; f.eks. ekstrem høye dreiemoment, plutselig stopp eller kortslutning, vibrert elektroverktøyet 5 sekunder, displayet for opplading blinker og elektroverktøyet utkobler seg automatisk.

For gjeninnkobling, slipp løs bryteren og slå så på igjen. Ved ekstreme belastninger opphører det oppladbare batteriet seg for sterkt. I slike tilfeller blinker alle lampene på displayet til batteriet er avkjølt. Når lampene har sluttet å blinke, kan man fortsette å arbeide.

Transport av Litium-Ion-Batteri

Litium-ion-batterier faller under de lovfastede forskriftene om transport av farlig gods.

Transporten av disse batteriene må rette seg etter lokale, nasjonale og internasjonale forskrifter og bestemmelser.

Forbruker har lov å transportere disse batteriene på gaten uten reglementering.

Den kommersielle transport av Litium-ion-batterier av spedisjonsfirma faller under bestemmelsene om transport av farlig gods. Forberedningene av forsendelsen og transport skal utvokkende gjennomføres av personer som har blitt skolert til dette. Hele prosessen skal følges opp av fagfolk.

Følgende punkter skal tas hensyn til ved transport:

Kontroller at kontaktene er beskyttet og isolert for å unngå kortslutninger.

Pass på at batteripakken i forpakningen ikke kan skli fram og tilbake. Skadede eller batterier som lekker er det ikke lov å transportere. Ta kontakt med spedisjonsfirma for ytterlige henvisninger.

ARBEIDSinSTRUKSJONER

MONTASJE

Montere sagskjede og sagsverd

⚠ ADVARSEL! Dersom deler er ødelagte eller mangler må maskinen ikke brukes før delene er skiftet ut. Dersom denne advarselen ikke overholdes, kan dette høre til alvorlige personskader.

Ta ut batteriet. Bruk vernehansker !

1. Skru ut mutrene til sagsverdet ved å bruke den vedlagte kombinøkkelen.
2. Fjern kjededekslet.
3. Legg kjedet i riktig retning i sagsverdet og vær sikker på at drivlenkene sitter i sverdsporet.
4. Fest sverdet til grensagen og fjern kjedet rundt drivhulet.
5. Sett kjededekslet og sverdmutrene tilbake på plass.
6. Skru fast sverdmutrene med fingrene. Sagsverdet må kunne bevege seg for å regulere kjedestrammingen.
7. Regulere kjedestrammingen. Les mer i avsnittet «Regulere kjedestrammingen».
8. Hold spissen av sverdet opp og trekk til mutrene til de sitter helt fast.

⚠ ADVARSEL! Sagskjedet er skarpt. Bruk alltid vernehansker når du utfører vedlikeholdsarbeid på kjedet.

Reguler kjedestrammingen

Ta ut batteriet før du utfører noe som helst arbeid på grensagen.

For å øke kjedets stramming, skru kjedestrammerskruen med klokka og kontroller kjedestrammingen regelmessig.

Kjedet er riktig strammet når mellomrommet mellom tannen på kjedet og kjedesverdet er ca. 6,8 mm. Trekk kjedet ut fra midten av sverdets underside (ut fra sverdet) og mål mellomrommet mellom sverdet og tennene på kjedet. Skru fast mutrene til sagsverdet ved å

skru de mot klokka.

OBS: Ikke overstram kjedet - er det strammet for mye vil det slites fortere og dette vil redusere kjedets levetid og kan ødelegge sverdet. Nye kjeder kan strekkes eller løse i begynnelsen. Fjern batteriet og kontrollere kjedets spenning regelmessig i løpet av de første to timene det brukes. Temperaturen på kjedet øker under normal drift, slik at kjedet strekker seg. Kontroller kjedestrammingen ofte og juster etter behov. Et kjede som er strammet mens den er varm kan bli for stramt når det avkjøles. Pass på at kjedet er strammet riktig i henhold til det er angitt i denne instruksjonen.

Tilføre sagskjedeolje

⚠ ADVARSEL! En må aldri arbeide uten sagskjedeolje. Dersom grensagen går tom for olje, kan sagsverdet og kjedet bli ødelagt. Det er viktig å kontrollere oljenivået med oljemåleren og før du begynner å bruke grensagen. Det skal alltid være mer enn 1/4 fullt med olje for å være sikker på at det er nok til å fullføre jobben.

OBS: Det anbefales å bruke vegetabilsk kjedeolje når du beskjerer trær. Mineralsk olje kan skade trærne. Bruk aldri spillolje, bilolje eller veldig tykk olje. Dette kan ødelegge grensagen. Gjør ren overflaten rundt oljetoppen for å forhindre kontaminert olje.

1. Skru løs og fjern toppen fra oljetanken.
2. Hell olje i tanken og hold øye med oljemåleren.
3. Sett oljetoppen på igjen og skru til. Tørk vekk søl.

Hold grensagen

Når du holder grensagen, skal høyre hånd alltid være på bakerste håndtak og venstre hånd på det fremste håndtaket. Hold begge håndtakene slik at tommelen og alle fingrene omfatter håndtakene.

Start grensagen

Batteripakken må være installert før du starter grensagen.

Gjenstartbeskyttelse

Elektroverktøyet er utstyrt med en gjenstartbeskyttelse.

Dette hindrer at elektroverktøyet skulle starte av seg selv når batteriet settes i igjen eller starter igjen etter at avslåingsfunksjonen til batteriet ble utløst.

Dersom sagsverdet er ute av treverket kan du slå av maskinen og slå den på igjen og fortsatt arbeidet.

Hvis sagsverdet er i treverket, må du vente til sagskjedet har stoppet helt. Kontroller at bryteren er i AV-posisjon. Fjern batteripakken fra maskinen og sagsverdet fra sagsporet. Sett inn batteripakken og slå på maskinen igjen og fortsatt arbeidet.

TRANSPORT OG LAGRING

Smør alltid kjedet lett med olje før den lagres for å forbygge rust. Oljetanken må alltid tømmes før lagring for å forebygge lekkasje.

Stopp maskinen, ta ut batteriet og la den kjøle ned før den lagres eller transporteres.

Fjern all fremmed materiale fra maskinen. Oppbevar maskinen på en kald, tørr og godt ventilert plass tilgjengelig for barn. Må holdes unna korrosive stoffer, som kjemikalier for hagebruk eller issalt. Må ikke lagres utendørs.

Sett på sagsverdbeskyttelsen før maskinen lagres eller transporteres.

Dersom maskinen transporteres i bil, må den sikres slik at den ikke beveger seg eller faller. Dette er for å forhindre at personer blir skadet eller at maskinen blir ødelagt.

RENGJØRING

Tørk vekk smuss og produktrester fra åpningene. Sørg for at håndtaket er rent, tørt og ikke har rester av olje eller smøring. Når du vasker verktøyet, må du kun bruke mild såpe og en fuktig klut, ettersom visse rengjøringsmidler kan ødelegge plastikken og andre isolerende deler. Noen av midlene kan inneholde bensin, terpentin, lakkforynnere, malingsfortynnere, klorholdige rengjøringsmidler, ammoniakk og husholdningsvaskemidler som inneholder ammoniakk. Bruk aldri brannfarlige eller brennbare løsemidler i nærheten av verktøyet.

VEDLIKEHOLD

⚠ ADVARSEL! Bruk kun Milwaukee tilbehør og Milwaukee reservedeler. Dersom dette ikke gjøres, kan de føre til mulige skade, bidra til nedsatt ytelse og kan gjøre garantien ugyldig.

Bruk kun Milwaukee tilbehør og Milwaukee reservedeler. Komponenter der utskifting ikke er beskrevet skal skiftes ut hos Milwaukee kundeservice (se brosjyre garanti/kundeserviceadresser).

⚠ ADVARSEL! Vedlikehold krever ekstrem forsiktighet og kunnskap, og skal kun utføres av en kvalifisert serviceteknikker. For service, anbefaler vi at du leverer maskinen til din nærmeste MILWAUKEE servicedet for reparasjon. Ved service skal det kun bruke identiske reservedeler.

⚠ ADVARSEL! Fjern batteriet før justering, vedlikehold eller renhold. Dersom dette ikke gjøres, kan det føre til mulige alvorlige personskader. Du skal bare utføre justeringer og reparasjoner som er beskrevet i denne manualen. For andre reparasjoner, ta kontakt med en autorisert serviceagent.

Konsekvensene av dårlig vedlikehold kan føre til at kjedebremsen eller sikkerhetsutstyret ikke fungerer som det skal, og på denne måten øke risikoen for alvorlige skader.

grensagen skal vedlikeholdes profesjonelt og sikkert. • Å file kjedet på en trygg måte, er en oppgave som krever ferdigheter. Derfor anbefaler produsenten sterkt at en slitt eller sløv kjede erstattes med en ny. Dette er tilgjengelig hos din MILWAUKEE-serviceagent. Artikkelnnummeret er tilgjengelig i produktspesifikasjonstabellen i denne håndboken.

Følg instruksjoner for smøring, kontrollere kjedestrammingen og justeringer.

Rengjør maskinen med en myk tørr klut etter hver gang den brukes.

Fjern eventuelle fliser, smuss eller rester i batterirommet.

Kontroller alle muttere, bolter og skruer regelmessig for å sikre at maskinen er i en sikker tilstand. Alle ødeleggelse må repareres ordentlig eller byttes ut på et MILWAUKEE servicedet.

Bytte av sagsverd og sagskjede

Bruk vernehansker.

1. Ta ut batteriet
2. Fjern sagsverdbeskyttelsen
3. Skru ut mutrene til sagsverdet ved å bruke den vedlagte kombinøkkelen.
4. Fjern kjededekslet.
5. Reduser spenningen til sagskjedet. Se avsnittet «Justere kjedestrammingen».
6. Fjern det gamle kjedet med sagsverdet
7. Legg det nye kjedet i riktig retning i sagsverdet og vær sikker på at drivlenkene sitter i sverdsporet.
8. Fest sverdet til grensagen og fjern kjedet rundt drivhulet.
9. Sett på plass drivhuldekslet og mutteren som holder sverdet.
10. Stram monteringsmutteren på sverdet med fingrene.
11. Sverdet må kunne bevege seg fritt for justering av kjedespenningen.
12. Regulere kjedestrammingen. Les mer i avsnittet «Regulere kjedestrammingen».
13. Hold spissen av sverdet opp og trekk til mutrene til de sitter helt fast.

⚠ ADVARSEL! Et kjede som er slipt på feil måte eller er sløvt kan føre til overdreven fart på motoren under saging. Dette kan ødelegge motoren.

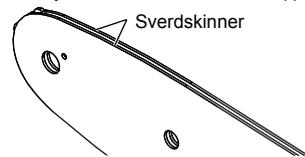
⚠ ADVARSEL! Et kjedet som er slipt på feil måte øker muligheten for kast.

⚠ ADVARSEL! Dersom et ødelagt kjede ikke blir reparert eller byttet ut, kan dette føre til alvorlige skader.

⚠ ADVARSEL! Sagskjedet er skarpt. Bruk alltid vernehansker når du utfører vedlikeholdsarbeid på kjedet.

Vedlikehold av sverdet

Når sverdet viser tegn på slitasje, snur du sverdet fra bunn til topp på sagen for å fordele slitasjen og oppnå maksimal sverdlevid. Sverdet bør rengjøres hver dag det brukes og kontrolleres for slitasje og skader. Fjæring og avgrading av sverdskindene er en normal prosess som oppstår som følge av slitasje. Slike ujevnheter bør utjevnes med en fil så snart de oppstår.



En sverdskinne med noen av følgende feil bør skiftes ut.

- Slitasje på innsiden av sverdskindene som gjør at kjedet kan legge seg sidelengs.
- Bøyd sverdskinne.
- Sprukne eller ødelagte skinner.
- Sprikende skinner.

Smør sverdskindene på tuppene ukentlig med et tannhjul. Bruk en fettsprøyte for å smøre ukentlig i smørehullet. Snu sverdet og kontroller at smørehullene og sverdskindene er fri for urenheter.

Vedlikeholdsplan

Daglig sjekk

Sverdsmøring	Før hver bruk
Kjedets stramming	Før hver bruk og regelmessig
Kjedets skarphet	Før hver bruk, visuell sjekk
For ødelagte deler	Før hver bruk
Før løse fester	Før hver bruk
Sagsverd	Før hver bruk
Hele sagen	Etter hver bruk

Reservedeler (Sverd og kjede)

Produsent	MILWAUKEE	OREGON
Kjede	4932 4801 76	90F033XTR
Sagsverd	4932 4801 69	360804

Kjedet må kombineres med et sverd av samme produsent i samsvar med kombinasjonene ovenfor.

Utvidet visning

Ved behov kan du be om en eksplosjonstegning av apparatet hos din kundeservice eller direkte hos Techtronic Industries GmbH, Max-Eyth-Straße 10, 71364 Winnenden, Germany. Oppgi maskintype og det nummeret på typeskiltet.

SYMBOLER

	Les nøye gjennom bruksanvisningen før maskinen tas i bruk.
	OBS! ADVARSEL! FARE!
	Ta ut vekselbatteriet før du arbeider på maskinen
	Maskinen skal ikke utsettes for regn.
	Ikke bruk sagen med bare en hånd
	grensagen skal alltid holdes med begge hendene
	Bruk vernestøvler med vernehette, såler med godt grep og stålkappe!
	Bruk vernehansker !
	Bruk alltid verneklær og solid fotteøy.
	Bruk hjelm. Bruk hørselsvern! Bruk vernebriller.
	Vær oppmerksom på grensagkast og unngå kontakt med sverdspissen
	Hold tilskuere minst 50' unna under bruk.
	Kjedeoljetank
	Skru for å regulere kjedestrammingen
	Kjedets løperetning
	Tilbehør - inngår ikke i leveransen, anbefalt komplettering fra tilbehørsprogrammet.



Elektrisk og elektronisk avfall skal ikke avfallshåndteres sammen med husholdningsavfallet. Brukte batterier, elektrisk og elektronisk avfall skal samles kildesortert og avfallshåndteres. Fjern brukte batterier, akkumulatorer og lysmidler fra apparatene før de kasseres. Be om informasjon hos de lokale myndighetene eller hos din fagforhandler om miljøstasjoner og samlesteder. Avhengig av de lokale bestemmelsene kan detaljhandlere være forpliktet til å ta tilbake brukte batterier, elektrisk og elektronisk avfall uten kostnader. Bidra til å redusere behovet for råmaterialer ved å sørge for gjenbruk og resirkulering av dine brukte batterier og ditt elektriske og elektroniske avfall. Brukte batterier (særlig litium-ion-batterier), elektrisk og elektronisk avfall inneholder verdifulle, gjenbrukbare materialer som ved ikke-miljøriktig avfallshåndtering kan ha negative konsekvenser for miljøet og din helse. Slett først eventuelle personrelaterede data fra det brukte apparatet før det avfallshåndteres.



Garantert lydeffektnivå 79 dB(A)



Kjedehastighet uten motstand



Spenning



Likestrøm



Europeisk samsvarsmerke



Britisk samsvarsmerke



Ukrainsk samsvarsmerke



Euroasiatisk samsvarsmerke

TEKNISKA DATA		M18 FHS20
Typ		kvistsåg
Produktionsnummer		4916 50 01 XXXXX MJJJ
Batterispänning		18 V =
Tomgång kedjehastighet		4,8 m/s
Styrskenans längd max.		8" / 200 mm
Användbar skärlängd		7,4" / 189 mm
Kedjeolja tankkapacitet		77 ml
Vikt enligt EPTA 01/2014 01/2014 (Li-Ion 2,0 Ah .. 12,0 Ah)		2,8 kg 3,9 kg
Rekommenderad omgivningstemperatur för driften		-18 ... +50 °
Rekommenderade batterier (Akkupacks)		M18B...; M18HB...
Rekommenderade laddare		M12-18...; M1418C6
Bullerinformation: Mätvärdena har tagits fram baserade på EN 62841. A-värdet av maskinens ljudnivå utgör:		
Ljudtrycksnivå / Onoggrannhet K=		81 dB (A) / 3 dB (A)
Ljudeffektsnivå / Onoggrannhet K=		89 dB (A) / 3 dB (A)
Använd hörselskydd!		
Vibrationsinformation: Totala vibrationsvärden (vektorsumma ur tre riktningar) framtaget enligt EN 62841.		
Vibrationsemissionsvärde a _v / Onoggrannhet K=		4,9 m/s ² / 1,5 m/s ²

⚠ VARNING!

De deklarerade vibrations- och bullernivåerna på detta informationsblad har uppmätts i enlighet med en standardiserad testmetod enligt EN 62841 och kan användas för att jämföra ett verktyg med ett annat. Det kan användas för en preliminär bedömning av exponeringen.

Den angivna vibrations- och bullernivå representerar verktygets huvudsakliga tillämpningar. Om verktyget emellertid används för olika tillämpningar, med olika eller dåligt underhållna tillbehör, kan vibrations- och bullerutsläppet variera. Detta kan öka exponeringsnivån avsevärt över den totala arbetsperioden.

En uppskattning av exponeringsnivån för vibrationer och buller bör även ta hänsyn till de tider då verktyget är avstängt eller när det körs utan att faktiskt arbeta. Detta kan avsevärt minska exponeringsnivån över den totala arbetsperioden.

Identifiera ytterligare säkerhetsåtgärder för att skydda operatören mot effekterna av vibrationer och/eller buller såsom: underhåll av verktyget och tillbehören, hålla händerna varma, organisation av arbetsmönster.

Bär hörselskydd. Bullerbelastning kan orsaka hörselskador.

⚠ VARNING! Läs alla säkerhetsanvisningar, instruktioner, beskrivningar och uppgifter som du får tillsammans med apparaten. Om nedanstående anvisningar ignoreras finns risk för att elstöt, brand och/eller allvarliga personskador uppstår. Förvara alla varningar och anvisningar för framtida bruk.

ALLMÄNNA SÄKERHETSINFORMATION FÖR KVISTSÅGAR

a) Håll alla delar av kroppen borta från sågkedjan när kvistsågen är i drift. Förvissa dig om att sågkedjan inte kommer i kontakt med något innan du startar kvistsågen. Ett ögonblicks ouppmärksamhet när man arbetar med kvistsågen kan orsaka att din klädsel eller kropp trasslar in sig sågkedjan.

b) Håll alltid kvistsågen med högra handen på bakre handtaget och vänstra handen på främre handtaget. Att hålla kvistsågen med händerna placerade tvärtom ökar risken för personskador och bör alltid undvikas.

c) Håll kvistsågen endast i isolerade greppytter, eftersom sågkedjan kan komma i kontakt med dolda ledningar. Sågkedjor som kommer i kontakt med en strömförande ledning kan göra exponerade metalldelar på kvistsågen strömförande och ge operatören en elektrisk stöt.

d) Använd skyddsglasögon. Ytterligare skyddsutrustning för hörsel, huvud, händer, ben och fötter rekommenderas. Lämplig skyddsutrustning reducerar personskador genom flygande skräp eller oavsiktlig kontakt med sågkedjan.

e) Använd inte en kvistsåg i ett träd, på en stige, från ett tak eller ett ostadigt stöd. Användning av en kvistsåg på detta sätt kan leda till allvarliga personskador.

f) Ha alltid ett ordentligt fotfäste och använd kvistsågen endast när du står på en fast, säker och jämn yta. Hala eller instabila ytor kan orsaka att du tappar balansen eller kontrollen över kvistsågen.

g) Om du sågar en gren som befinner sig under spänning, måste du vara förberedd på att den slungas tillbaka. När spänningen i träfibren släpps kan grenen som slungas tillbaka träffa operatören och/eller orsaka att kontrollen över kvistsågen förloras.

h) Var extremt försiktig när du sågar i buskar och unga träd. Det smala materialet kan fånga sågkedjan och piskas mot dig eller få dig ur balans.

i) Bär kvistsågen i främre handtaget med kvistsågen avstängd och bort från din kropp. Vid transport eller förvaring av kvistsågen, måste svärdskyddet alltid vara monterat. Korrekt hantering av kvistsågen minskar sannolikheten för oavsiktlig kontakt med den arbetande sågkedjan.

j) Följ instruktionerna för smörjning, kedjespänning och byte av svärd och kedja. En felaktigt spänd eller smörjd kedja kan antingen bryta eller öka risken för bakslag.

k) Håll handtag torra, rena och fria från olja och fett. Fettiga, oljiga handtag är hala och orsakar förlust av kontroll.

l) Såga endast trä. Använd inte kvistsågen för icke avsedda ändamål. Till exempel: Använd inte kvistsågen för att såga metall-, plast-, murverk eller byggnadsmaterial som inte är av trä. Användning av kvistsåg för andra arbeten än de avsedda kan leda till en farlig situation.

Följ alla instruktioner när du tar bort fastnat material, lagrar eller underhåller kvistsågen. Se till att strömbrytaren är avstängd och batteripaketet är borttaget. Övrigt manövrering av kvistsågen vid rensning av fastnat material eller service kan leda till allvarlig personskada.

Orsaker och förebyggande åtgärder av operatören mot bakslag:

Bakslag kan uppstå när näsan eller spetsen på svärdet kommer i kontakt med ett föremål, eller när träet stänger in och klämmer fast sågkedjan i sågsparret.

Kontakt med spetsen kan i vissa fall orsaka en plötslig omvänd reaktion och slunga svärdet uppåt och tillbaka mot operatören.

Om sågkedjan kläms fast längs spetsen på svärdet kan detta tryckas tillbaka snabbt mot operatören.

Var och en av dessa reaktioner kan orsaka att du tappar kontrollen över sågen vilket kan leda till allvarliga personskador. Lita inte uteslutande på de säkerhetsanordningar som är inbyggda i sågen.

Som användare av en kvistsåg bör du vidta flera åtgärder för att se till att dina arbeten med sågen hålls fria från olyckor eller skador.

Bakslag är ett resultat av felaktig användning av kvistsågen och/eller felaktiga driftprocesser eller -villkor och kan undvikas genom att man vidtar lämpliga försiktighetsåtgärder enligt nedan:

a) Behåll ett fast grepp om kvistsågens handtag med båda händerna på sågen och placera din kropp och dina armar så att du kan motstå krafterna från bakslag. Krafter från bakslag kan styras av operatören om lämpliga försiktighetsåtgärder vidtas. Släpp inte kvistsågen.

b) Sträck dig inte för mycket och arbeta inte över axelhöjd. Detta hjälper dig att förhindra oavsiktlig kontakt med spetsen och möjliggör bättre kontroll över kvistsågen i oväntade situationer.

c) Byt endast ut svärd och kedjor mot komponenter som anges av tillverkaren. Felaktiga svärd och kedjor kan orsaka brott på kedjan och/eller bakslag.

d) Följ tillverkarens anvisningar för slipning och underhåll av sågkedjan. Att minska höjden på djupmättet kan leda till ökade bakslag.

ÖVRIGA SÄKERHETS- OCH ANVÄNDNINGSPÅSÄTTNINGAR

Det rekommenderas att såga stockar på en sågbock eller ställning när du använder maskinen för första gången.

Förankring

Förankra endast med energiabsorberande linor. Fäst endast förankringen i linans ögla.

Fäst inte hållbandet på handtaget, svärdsskyddet eller någon annan punkt på verktyget.

Se till att alla skydd, handtag och barkstöd är ordentligt monterade och är i bra skick.

Personer som använder kvistsågen ska vara vid god hälsa. Kvistsågen är tung, därför bör operatören vara fysiskt stark.

Operatören bör vara uppmärksam, ha en bra syn, vara rörlig med bra balanssinne samt vara häändig. Använd inte kvistsågen om det finns tvivel.

Börja inte använda kvistsågen tills du har ett rent arbetsområde, stabilt fäste och en reträttväg bort från ett fallande träd. Akta dig för utsläpp av smörjmedel och sågdamm. Vid behov använd en mask eller respirator.

Såga inga vinrankor och/eller i låg undervegetation.

Håll alltid i kvistsågen med båda händerna medan du arbetar.

Använd ett stadigt grepp med tummarna och fingrarna kring handtaget. Den högra handen måste befinna sig på bakre handtaget och vänstra handen på främre handtaget.

Förvissa dig om att sågkedjan inte kommer i kontakt med något föremål innan du startar kvistsågen.

Denna såg får inte förändras på något sätt. Använd den inte för att driva tillbehör eller enheter som inte har godkänts av kvistsågens tillverkare.

Det bör finnas ett första hjälpen-kit som innehåller stora sårförband och hjälpmedel för att väcka uppmärksamhet (t.ex. en visselpipa) nära operatören. Ett större mer omfattande kit bör finnas i närheten.

En felaktigt spänd kedja kan hoppa av svärdet och orsaka allvarliga personskador eller dödsfall. Kedjans längd beror på temperaturen. Kontrollera spänningen ofta.

Du bör vänja dig vid din nya kvistsåg genom att utföra enkla arbeten på säkert fastsatt trä. Gör alltid detta när du inte har arbetat med sågen på ett tag. För att reducera risken för personskador i samband med kontakt med rörliga delar, ska motorn alltid stannas och batteripaketet tas bort. Dessutom måste säkerställas att alla rörliga delar först har stannat:

- du utför rengöring eller rensar bort föremål som blockerar
- du lämnar maskinen utan uppsikt
- du installerar eller tar bort tillbehör
- du kontrollerar, utför underhåll eller arbetar på maskinen

Arbetsytans storlek beror på det jobb som utförs samt storleken på det träd eller det arbetsstycke det gäller. Exempelvis kräver fällning av ett träd ett större arbetsområde än andra sågarbeten, t.ex. kapningar, etc. Operatören måste vara uppmärksam och ha kontroll över allt som händer i arbetsområdet.

Såga inte med din kropp i linje med svärdet och kedjan. Om du upplever ett bakslag kommer detta att reducera risken att kedjan träffar ditt huvud eller din kropp.

Gör inga framåt/bakåt rörelser med sågen, låt kedjan göra arbetet. Håll kedjan vass och försök inte skjuta kedjan genom sågsparret.

Tryck inte på sågen i slutet av snittet. Var beredd på att ta sågens vikt om den sågar sig fri från träet. Underlåtenhet att göra det kan eventuellt leda till allvarliga personskador.

Stanna inte sågen mitt i en sågning.

Låt sågen vara igång tills den redan är borttagen från sågsparret. Läs ej strömbrytaren vid sågning för hand.

Drag ur batteripaketet innan arbete utföres på maskinen.

⚠ VARNING! För att undvika den fara för brand, personskador eller produktskador som orsakas av en kortslutning, doppa inte ner verktyget, utbytesbatteriet eller laddaren i vätskor och se till att ingen vätska kan tränga in i apparaterna eller batterierna. Korroderande eller ledande vätskor, som saltvatten, vissa kemikalier, blekningsmedel eller produkter som innehåller blekmedel, kan orsaka en kortslutning.

System M18 batterier laddas endast i System M18 laddare. Ladda inte batterier från andra system.

Batterier lagras torrt och skyddas för fukt.

Tryck och drag

Reaktionskraften verkar alltid i motsatt riktning till kedjans rörelse. Operatören måste vara beredd på att kunna kontrollera maskinens tendens att dra bort (framåtriktad rörelse) när den sågar med undersidan av svärdet och trycker bakåt (mot operatören) när den sågar längs övre kanten.

Sågen har fastnat i sågsparret

Stanna kvistsågen och säkra den. Försök inte tvinga kedjan och svärdet ut ur sågsparret med våld, eftersom det troligtvis kommer att bryta kedjan, som då kan slungas tillbaka och kan träffa operatören. Denna situation uppstår normalt på grund av att träet är felaktigt fastsatt vilket tvingar sågsparret att stänga under kompression och därigenom klämma fast sågbladet. Om svärdet och kedjan inte släpps när stödet justeras, måste man använda träklår eller en hävstång för att öppna sågsparret och ta loss sågen. Försök aldrig att starta kvistsågen när svärdet redan befinner sig i ett sågspar eller en skära.

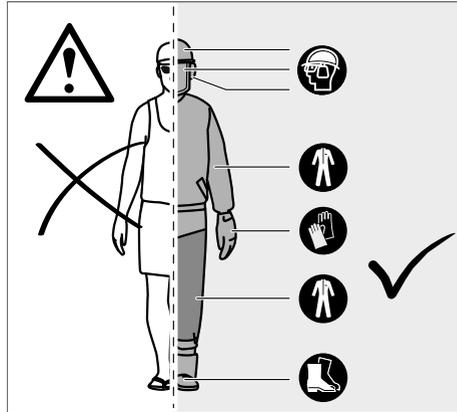
Glida/hoppa

När kvistsågen inte kan gräva sig in i ett sågspar föreligger risk att svärdet börjar att glida och hoppa på stockens eller grenens yta på ett farligt sätt. Detta kan innebära att kontrollen över kvistsågen tappas. För att förhindra eller minska risken att svärdet glider eller hoppar måste man alltid använda sågen med båda händerna för att vara säker på att sågkedjan skapar ett spår för sågning. Såga aldrig små, flexibla grenar eller buskverk med din kvistsåg. Deras storlek och flexibilitet kan lätt få sågen att studsas mot dig eller få tillräckligt med kraft för att orsaka ett bakslag. Det bästa verktyget för den typen av arbete är en handsåg, sekator, yxa eller andra handverktyg.

Personlig skyddsutrustning

Använd alltid hjälm när du använder maskinen. En hjälm, utrustad med gallervisir, kan bidra till att minska risken för skador på ansikte och huvud om bakslag uppstår. Använd hörselskydd!

Personlig skyddsutrustning av god kvalitet, som används av profsen, hjälper till att minska risken för att operatören ska drabbas av personskad. Följande delar bör användas när du använder maskinen.



Skyddshjälm

bör uppfylla kraven i EN 397 och vara CE-märkt

Hörselskydd

bör uppfylla kraven i EN 352-1 och vara CE-märkta

Ögon- och ansiktsskydd

bör vara CE-märkta och uppfylla kraven i EN 166 (för skyddsglasögon) eller EN 1731 (för gallervisir)

Handskar

bör uppfylla kraven i EN 381-7 och vara CE-märkta

Benskydd (benskydd)

bör uppfylla kraven i EN 381-5 och vara CE-märkta och ge komplett skyddbör uppfylla kraven i EN 381-5 och vara CE-märkta och ge komplett skydd

Kvistsåg skyddskängor

bör uppfylla kraven i EN ISO 20345:2004 och vara märkta med en bild som visar en kvistsåg för att bevisa överensstämmelse med EN 381-3. (Tillfälliga användare kan använda skyddskängor med stålhätta och skyddsdamasker som uppfyller kraven i EN 381-9 om marken är jämn och det endast finns en liten risk att man snubblar eller fastnar i undervegetationen)

Skyddsjacka med sågskydd för att skydda överkroppen

bör uppfylla kraven i EN 381-11 och vara CE-märkt

GÖR DIG FÖRTROGEN MED DIN KVISTSÅG

1	Främre handtaget	11	Barkstöd
2	Främre handskydd	12	Sågkedja
3	Spärranordning	13	Svärd
4	Strömbrytare	14	Svärdspår
5	Bakre handtag	15	Kedjedrift
6	Lock till kedjesmörjning	16	Skydd till kedjedrev
7	Kedjeoljetank	17	Kedjespännarskruv
8	Bakre handskydd	18	svärdsmutter
9	Kombinyckel	19	Svärdskydd
10	Batteri		

⚠️ VARNING!

Konsekvenser av felaktigt underhåll, avlägsnande eller modifiering av säkerhetsfunktioner, tändningsbrytare, handskydd (fram och bak), barkstöd, kedjefångare, svärd, sågkedja med lågt bakslag kan medföra att säkerhetsfunktionerna inte fungerar korrekt, vilket ökar risken för allvarliga personskad.

Barkstöd

Det integrerade barkstödet kan användas som svängstopp när man sågar. Det bidrar till att hålla kvistsågens kropp stabil medan man sågar. Skjut maskinen framåt när du sågar tills kloma grävs in i träets kant. Genom att flytta det bakre handtaget uppåt eller nedåt i riktning mot såglinjen kan det bidra till att underlätta sågningens fysiska belastning.

Svärd

I allmänhet har svärd med spetsar med liten radie mindre potential för bakslag. Du bör använda ett svärd och en matchande kedja, som precis är tillräckligt lång för jobbet. Längre svärd ökar risken för att man tappar kontrollen när man sågar. Kontrollera kedjespänningen regelbundet. När man sågar mindre grenar (mindre än svärdets fulla längd) är risken större att kedjan kastas av om spänningen inte är korrekt.

INSTRUKTIONER ANGÅENDE LÄMPLIG TEKNIK FÖR FÄLLNING, KVISTNING OCH KAPNING

Förstå krafterna i träet

När du förstår de tryck och spänningar i olika riktningar inne i träet kan du minska "knipandet" eller åtminstone vara beredd på det när du sågar. Spänning i träet betyder att fibrerna dras isär och om du sågar i detta område, kommer "sågsparerna" att tendera att öppna när sågen går igenom. Om en stock ligger på en sågbock och änden sticker ut utan stöd, skapas spänning på den övre ytan på grund av vikten av den överhängande stocken som sträcker fibrerna. På samma sätt kommer stockens undersida att tryckas ihop då fibrerna pressas samman. Om ett sågspar görs i detta område, kommer det att ha en tendens att stängas när man sågar. Resultatet blir att sågbladet kläms.

Kapa ett träd

Kvistning innebär att man tar bort grenarna från ett fallet träd. Vid kvistning lämnar man kvar de större nedre kvistarna för att stödja stocken från marken. Ta bort de små kvistarna med ett snitt. Grenar med spänning bör sågas från botten och upp för att undvika att kvistsågen fastnar.

Såga i spänt trä

Spänt trä är en stock, en gren, en stam med rötter stubbe eller en gren som böjs under spänning av annat trä, så att det slungas tillbaka om träet som håller det sågas av eller tas bort.

På ett fällt träd har en stubbe med rötter hög potential att slungas tillbaka till upprätt läge under kapningen för att skilja stocken från stubben. Se upp för spända träd — de är farliga.

⚠️ VARNING! Spända träd är farliga och kan slå operatören, vilket kan leda till att operatören tappar kontrollen över kvistsågen. Detta kan i sin tur leda till allvarliga eller dödliga personskad för operatören. Detta bör göras av utbildade användare.

ANVÄND MASKINEN ENLIGT ANVISNINGARNA

Den sladdlösa kvistsågen är endast avsedd för utomhusbruk.

Av säkerhetsskäl måste man hålla kvistsågen under kontroll hela tiden genom att använda två händer när man arbetar med den.

Kvistsågen är konstruerad för att såga grenar, stubbar, stockar och balkar med en diameter som bestäms av svärdets skärlängd. Den är endast avsedd för att såga i trä. Den får endast användas av vuxna som har fått en adekvat utbildning om farorna och förebyggande åtgärder som ska vidtas när man använder kvistsågen.

Använd inte kvistsågen för ett ändamål som inte anges i de angivna användningsvillkoren. Den får inte användas för professionell trädisktsel. Kvistsågen får inte användas av barn eller personer som inte använder tillräcklig personlig skyddsutrustning och skyddskläder.

⚠️ VARNING! Vid användning av kvistsågen måste säkerhetsreglerna följas. För din egen och andra närvarande personers säkerhet måste du läsa och förstå dessa instruktioner innan du använder kvistsågen. Du bör delta i en professionellt organiserad säkerhetskurs för användning, förebyggande åtgärder, första hjälpen och underhåll av kvistsågar. Spara dessa anvisningar för framtida bruk.

⚠️ VARNING! Kvistsågar är potentiellt farliga verktyg. Olyckor i samband med användning av kvistsågar resulterar ofta i förlust av extremiteter eller dödsfall. Det är inte bara kvistsågen som är farlig. Fallande grenar och träd samt rullande stockar kan alla orsaka dödsfall. Andra faror utgörs av sjukt eller ruttnande virke. Du bör bedöma din förmåga att slutföra uppgiften på ett säkert sätt. Om du är osäker bör du lämna över jobbet till en professionell trädkirurg.

Maskinen får endast användas för angiven tillämpning.

KVARSTÅENDE RISKER

Även om produkten används på ändamålsenligt och föreskrivet sätt kan kvarstående risker varför du som användare vid sidan om alla andra föreskrifter också ska beaktas följande:

- IPersonskador som orsakas av vibrationer Använd alltid rätt verktyg för jobbet. Använd avsedda handtag. Begränsa arbetstid och exponering.
- Hörselskadorna på grund av exponering för buller Använd hörselskydd och begränsa exponeringen.
- Personskador orsakade av kontakt med sågkedjans oskyddade sågtänder
- Personskador orsakade av utslungade bitar av arbetsstycket (träflis, spån)
- Personskador orsakade av damm och partiklar
- Hudskador orsakade av kontakt med smörjmedel
- Delar som slungas ut från sågkedjan (risk för skärning/injektion)
- Oförutsett, plötslig rörelse eller bakslag av svärdet (risk för skärskadning)

RISKREDUCERING

- Det har rapporterats att vibrationer från handhållna verktyg kan bidra till ett tillstånd som kallas Raynauds fenomen hos vissa personer. Symtomer kan bland annat vara stickningar, känslöslöshet och bleknande fingrar, vanligtvis när det är kallt. Årftliga faktorer, exponering för kyla och fukt, kost, rökning och arbetssätt anses alla bidra till utvecklingen av dessa symtomer. Det finns åtgärder som kan vidtas av operatören för att eventuellt minska effekterna av vibrationer:
- Håll kroppen varm när det är kallt. Använd handskar när du använder enheten för att hålla händerna och handlederna varma.
- Gör övningar efter varje del av användningen för att förbättra blodcirkulationen.
- Ta regelbundna arbetspauser. Begränsa antalet belastningar per dag.
- Skyddshandskar från professionella återförsäljare av motorsågar är speciellt utformade för användning av kvistsåg. De ger skydd, bra grepp och minskar dessutom effekten av vibrationer i handtagen. Dessa handskar bör uppfylla kraven i EN 381-7 och måste vara CE-märkta.

Om du känner av några symtomer på detta tillstånd ska du omedelbart avbryta användningen och uppsöka din läkare.

⚠️ VARNING! Personskador kan orsakas eller förvärras genom långvarig användning av ett verktyg. Se till att du tar regelbundna pauser om du använder ett verktyg en längre tid.

ANVISNINGAR AVSEENDE LITIUMJONBATTERIER

Användning av litiumjonbatterier

Batteri som ej använts på länge måste laddas före nytt bruk.

En temperatur över 50°C reducerar batteriets effekt. Undvik längre uppvärmning tex i solen eller nära ett element.

Se till att anslutningskontaktarna i laddaren och på batteriet är rena. För att batterierna ska få lång livslängd ska de laddas fulla efter användning.

För att få en så lång livslängd som möjligt bör laddningsbara batterier avlägsnas från laddaren när de är laddade.

Om laddningsbara batterier lagras längre än 30 dagar:

Förvara batteripaketet på platser som är skyddade mot fukt och där temperaturen är under 27 °C

Lagra batteriet vid ca 30%-50% av laddningskapaciteten.

Ladda batterierna på nytt var 6:e månad.

Batteri-överbelastningskydd för litiumjonbatterier

Om det laddningsbara batteriet överbelastas genom en mycket hög strömförbrukning, t.ex. extremt höga vridmoment, ett plötsligt stopp eller en kortslutning, så vibrerar elverktuget i 5 sekunder, laddningsindikeringen blinkar och elverktuget fränkopplas automatiskt.

För att sedan sätta på elverktuget igen släpper du tryckbrytaren och tillkopplar sedan verktyget igen. Vid en extrem belastning blir det laddningsbara batteriet för varmt. I detta fall blinkar alla lampor på laddningsindikeringen så länge tills batteriet har svalnat. När laddningsindikeringen har slocknat kan du fortsätta med arbetet.

Transportera litiumjon-batterier

För litiumjon-batterier gäller de lagliga föreskrifterna för transport av farligt gods på väg.

Därför får dessa batterier endast transporteras enligt gällande lokala, nationella och internationella föreskrifter och bestämmelser.

Konsumenter får transportera dessa batterier på allmän väg utan att behöva beakta särskilda föreskrifter.

För kommersiell transport av litiumjon-batterier genom en speditiönsfirma gäller emellertid bestämmelserna för transport av farligt gods på väg. Endast personal som känner till alla tillämpliga föreskrifter och bestämmelser får förbereda och genomföra transporten. Hela processen ska följas upp på fackmässigt sätt.

Följande ska beaktas i samband med transporten av batterier:

Säkerställ att alla kontakter är skyddade och isolerade för att undvika kortslutning.

Se till att batteripacken inte kan glida fram och tillbaka i förpackningen. Transportera aldrig batterier som läcker, har runnit ut eller är skadade. För mer information vänligen kontakta din speditiönsfirma.

ARBETSANVISNINGAR

MONTERING

Montering av sågkedja och svärd

⚠️ VARNING! Om delar är skadade eller saknas får maskinen inte användas innan delarna har ersatts. Underlåtenhet att beakta denna varning kan leda till allvarliga personskad.

Ta under alla omständigheter bort batteriet. Bär skyddshandskar!

1. Ta bort svärdsmuttrarna med hjälp av medföljande kombinyckel.
2. Ta bort kedjeskyddet.
3. Sätt kedjan i rätt riktning på svärdet och se till att drivlänkarna har riktats in i svärdspåret.
4. Sätt fast svärdet på kvistsågen och lägg kedjan kring kedjekransen.
5. Byt ut kedjeskyddet och svärdsmuttrarna.
6. Dra åt svärdsmuttrarna utan verktyg. Svärdet måste kunna röras fritt för justering av kedjespänningen.
7. Justera kedjespänningen. Se avsnittet "Inställning av kedjespänning".
8. Håll svärdspetsen uppåt och dra åt svärdsmuttrarna ordentligt.

⚠️ VARNING! Sågkedjan är vass. Använd alltid skyddshandskar när du utför underhåll på kedjan.

Inställning av kedjespänningen

Ta bort batteripaketet innan du utför arbete på kvistsågen.

För att öka kedjespänningen, vrid spärrskruven till kedjan

medurs och kontrollera kedjespänningen ofta. För att minska kedjespänningen, vrid spännskruv till kedjan moturs och kontrollera kedjespänningen ofta.

Kedjespänningen är korrekt när avståndet mellan kedjans tänder och svärdet är ca 6,8 mm. Dra kedjan mitt på undersidan av svärdet nedåt (bort från svärdet) och mät avståndet mellan svärdet och kedjans tänder. Dra åt svärdsmuttrarna genom att skruva dem medurs.

Observera: Kedjan får inte överspännas – för mycket spänning kommer att orsaka överdrivet slitage och kommer att reducera kedjans livslängd och kan skada svärdet. Nya kedjor kan sträckas och lossna under första användningen. Ta bort batteripaketet och kontrollera kedjespänningen ofta under de första två timmarna av användningen. Kedjans temperatur ökar under normal drift vilket leder till att kedjan sträcks. Kontrollera kedjespänningen ofta och justera efter behov. En kedja som spänns medan den är varm kan vara för tät när den svalnar. Se till att kedjespänningen är korrekt inställd i enlighet med vad som anges i dessa anvisningar.

Tillsätta kedjeolja

⚠️ WARNING! Arbeta aldrig utan kedjesmörjmedel. Om sågkedjan löper utan smörjmedel kan svärdet och sågkedjan skadas. Det är mycket viktigt att man regelbundet kontrollerar oljenivån i oljemätaren innan man börjar använda kvistsågen. Se till att tanken är mer än ¼ full för att säkerställa att det finns tillräckligt med olja för arbetet.

Observera: Det rekommenderas att använda en vegetabilisk sågkedjeolja vid kvistning av träd. Mineralolja kan skada träd. Använd aldrig spillolja, motorolja eller mycket tjock olja. Dessa kan skada kvistsågen. Rengör ytan kring oljekåpan för att förhindra förorening.

1. Skruva loss och ta bort locket från oljetanken.
2. Häll oljan i oljetanken och kontrollera oljemätaren.
3. Sätt på oljelocket igen och dra åt det. Torka bort eventuell spilld olja.

Hur man håller kvistsågen

Håll alltid kvistsågen med högra handen på bakre handtaget och vänstra handen på främre handtaget. Håll i båda handtagen med tummen och fingrarna kring respektive handtag.

Hur man startar kvistsågen

Innan du startar kvistsågen bör du installera batteripaketet i kvistsågen.

Återstartsskydd

Elverktyget har utrustats med ett återstartsskydd.

Detta förhindrar att det påslagna elverktyget startar av sig själv när batteriet sätts i. Samtidigt förhindras en omstart efter en avstängning av batteriet.

Om svärdet befinner sig utanför träet stänger du av maskinen och slår sedan på den igen för att fortsätta arbeta.

Om svärdet befinner sig inuti träet väntar du tills sågkedjan har stannat fullständigt. Se till att omkopplaren är i avstängt läge. Ta bort batteripaketet från maskinen och svärdet från sågspåret. Sätt i batteripaketet och slå sedan på maskinen igen för att fortsätta arbeta.

TRANSPORT OCH LAGRING

Stryk alltid en aning olja på kedjan när den lagras för att förhindra rost. Töm alltid oljetanken vid lagring för att förhindra läckage.

Stoppa maskinen, ta ut batteripaketet och låt den svalna innan den förvaras eller transporteras.

Avlägsna alla främmande material från maskinen. Förvara maskinen på en sval, torr och välventilerad plats som är otillgänglig för barn. Håll den borta från frätande ämnen, såsom trädgårdskemikalier och avsningsalter. Får ej förvaras utomhus.

Montera svärdskyddet innan du lagrar eller transporterar maskinen.

För transport i fordon, säkra maskinen mot rörelse eller fall för att förebygga personskador eller skador på maskinen.

TVÅTTTRÅD

Rensa bort damm och skräp från öppningar. Håll handtaget rent, torrt och fritt från olja eller fett. Använd bara mild tvål och en fuktig trasa för rengöring, eftersom vissa rengöringsmedel och lösningsmedel för rengöring är skadliga för plaster och andra isolerade delar. Till dessa hör bland annat bensin, terpentin, förtunningsmedel för färger och lacker, klorerade lösningsmedel för rengöring, ammoniak och hushållsrengöringsmedel som innehåller ammoniak. Använd aldrig lättantändliga eller brännbara lösningsmedel i närheten av verktyg.

SKÖTSEL

⚠️ WARNING! Använd endast Milwaukee-tillbehör och Milwaukee-reservdelar. Underlåtenhet att göra det kan orsaka eventuella personskador, bidra till dålig prestanda och kan upphäva din garanti.

Använd endast Milwaukee-tillbehör och Milwaukee-reservdelar. Komponenter, för vilka inget byte beskrivs, skall bytas ut hos Milwaukee-kundtjänst (se broschyren garanti-/kundtjänstadresser).

⚠️ WARNING! Service kräver extrem omsorg och kunskap och bör endast utföras av en kvalificerad servicetekniker. För service rekommenderar vi att du tar maskinen till din närmaste MILWAUKEE-servicestation för reparation. Använd endast identiska reservdelar vid service.

⚠️ WARNING! Ta bort batteriet före inställning, underhåll eller rengöring. Underlåtenhet att göra detta kan leda till allvarliga personskador. Du får endast utföra justeringar eller reparationer som beskrivs i den här handboken. För andra reparationer, kontakta den auktoriserade serviceagenten.

Felaktigt underhåll kan leda till att kedjebromsen och andra säkerhetsfunktioner inte fungerar korrekt, vilket ökar risken för allvarliga personskador.

Se till att din kvistsåg underhålls professionellt och säkert. • Slipning av kedjan på ett säkert sätt är en uppgift som kräver skicklighet. Därför rekommenderar tillverkaren starkt att en sliten eller slö kedja byts ut mot en ny. Denna finns tillgänglig hos din MILWAUKEE-serviceagent. Artikelnumret finns i förteckningen med produktspecifikationer i den här handboken.

Följ instruktionen för smörjning och kedjespänning och inställning. Rengör maskinen med en torr trasa efter varje användning.

Ta bort eventuella spånafvall, smuts och skräp i batterifacket.

Kontrollera alla muttrar, bultar och skruvar med jämna mellanrum för att säkerställa att maskinen är i ett säkert och fungerande skick. Alla delar som är skadade bör repareras eller bytas ut av en MILWAUKEE-servicestation.

Byte av svärd och sågkedja

Använd skyddshandskar.

1. Ta bort batteriet.
2. Ta bort svärdskyddet
3. Ta bort svärdsmuttrarna med hjälp av medföljande kombinyckel.
4. Ta bort kedjeskyddet.
5. Minska spänningen i sågkedjan. Se avsnittet "Justera kedjespänningen".
6. Ta bort den gamla kedjan tillsammans med svärdet
7. Sätt den nya kedjan i rätt riktning på svärdet och se till att drivlänkarna har riktats in i svärdsparret.
8. Sätt fast svärdet på kvistsågen och lägg kedjan kring kedjekransen.
9. Sätt tillbaka kedjehjulets kåpa och stängens monteringsmutter.
10. Dra åt stängens monteringsmutter med fingrarna.
11. Stängens måste vara fria att röra sig för justering av kedjespänningen.
12. Justera kedjespänningen. Se avsnittet "Inställning av kedjespänning".
13. Håll svärdspetsen uppåt och dra åt svärdsmuttrarna ordentligt.

⚠️ WARNING! En slö eller felaktigt slipad kedja kan orsaka överdriven motorhastighet under användning vilket kan leda till allvarlig motorskada.

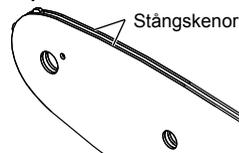
⚠️ WARNING! Felaktig slipning av kedjan ökar risken för bakslag.

⚠️ WARNING! Underlåtenhet att byta ut eller reparera en skadad kedja kan orsaka allvarliga personskador.

⚠️ WARNING! Sågkedjan är vass. Använd alltid skyddshandskar när du utför underhåll på kedjan.

Underhåll av styrstäng

När styrstängens visar tecken på slitage vänder du styrstängens upp och ned på sågen för att fördela slitage och få maximal livslängd för stängens. Stängens ska rengöras varje dag efter användning och kontrolleras med tanke på slitage och skador. Fjädring eller gradning av stängskenorna räknas som normalt slitage på stängens. Sådana fel jämnas till med fil så fort som de uppstår.



En stång med något av följande fel bör bytas ut.

- Slitage inuti stängskenorna som gör att kedjan kan ligga över i sidled.
- Böjd styrstäng.
- Spruckna eller trasiga skenor.
- Spridningsskenor.

Smörj styrstängernas överdel med ett kedjehjul varje vecka. Använd en fettspruta och smörj in smörjålet varje vecka. Vrid styrstängens och kontrollera att smörjhålen och stängskenorna är fria från föroreningar.

Underhållsplan

Daglig kontroll

Smörjning av svärd	Före varje användning
Kedjespänning	Före varje användning och ofta
Kedjans skärpa	Före varje användning, visuell kontroll
Skadade delar	Före varje användning
Lösa fästen	Före varje användning
Svärd	Före varje användning
Hela sågen	Efter varje användning

Reservdelar (Svärd och kedja)

Tillverkare	MILWAUKEE	OREGON
Kedja	4932 4801 76	90F033XTR
Svärd	4932 4801 69	360804

Kedjan måste fästas med svärd från samma tillverkare i överensstämmelse med ovanstående kombinationer.

Sprängskiss

Vid behov av sprängskiss, kan en sådan, genom att uppge maskinens art. nr. (som finns på typskylten) erhållas från: Techtronic Industries GmbH, Max-Eyth-Straße 10, 71364 Winnenden, Germany.

SYMBOLER

	Läs instruktionen noga innan du startar maskinen.
	OBSERVERA! WARNING! FARA!
	Drag ur batteripaket innan arbete utföres på maskinen.
	Utsätt sågen inte för regn.
	Får ej användas med en hand
	Använd alltid kvistsågen med två händer
	Använd skyddsskor med skårskydd, mönstrad sula med bra grepp och stålhätta!
	Bär skyddshandskar!
	Bär alltid skyddskläder och stabila skor.
	Använd skyddshjälm. Använd hörselskydd! Används skyddsglasögon.
	Akta dig för bakslag från kvistsågen och undvik kontakt med svärdspetsen
	Håll personer i närheten på minst 15 meters avstånd under användning.
	Kedjeolja
	Rotera för att justera kedjespänningen
	Kedjans rotationsriktning
	Tillbehör - Ingår ej i leveransomfånget, erhålles som tillbehör.



Förbrukade batterier och avfall som utgörs av eller innehåller elektrisk och elektronisk utrustning (WEEE) får inte slängas tillsammans med de vanliga hushållssoporna. Förbrukade batterier eller WEEE ska samlas och avfallshanteras separat. Ta ut förbrukade batterier, förbrukade ackumulatörer och ljuskällor ur produkterna innan de avfallshanteras. Kontakta den lokala myndigheten respektive kommunen eller fråga återförsäljare var det finns speciella avfallsstationer för elskrot. Beroende på de lokala bestämmelserna kan återförsäljare vara skyldiga att ta tillbaka förbrukade batterier eller WEEE gratis. Bidra till att minska behovet av råämnen genom återanvändning och återvinning av dina förbrukade batterier eller ditt WEEE. Förbrukade batterier (i synnerhet litiumjonbatterier) och WEEE innehåller värdefulla återvinningsbara material som kan skada miljön och din hälsa om de inte avfallshanteras på korrekt sätt. Tänk på att radera eventuella personuppgifter som kan finnas på din utrustning innan du lämnar den till avfallshanteringen.



Garanterad ljudtrycksnivå 79 dB(A)



Tomgång kedjehastighet



Spänning



Likström



Europeiskt konformitetsmärke



Britiskt konformitetsmärke



Ukrainskt konformitetsmärke



Euroasiatiskt konformitetsmärke

TEKNISSET ARVOT

	M18 FHS20
Tyyppi	oksasaha
Tuotantonumero	4916 50 01 XXXXXX MJJJ
Jännite vaihtoakku	18 V ==
Kuormittamaton ketjunopeus	4,8 m/s
Levyn pituus maks.	8" / 200 mm
Käytettävä leikkuupituus	7,4" / 189 mm
Ketjuöljyn säiliön tilavuus	77 ml
Paino EPTA-meneteltyl 01/2014 mukaan 01/2014 (Li-Ion 2.0 Ah .. 12.0 Ah)	2,8 kg 3,9 kg
Suosittelun ympäristön lämpötila käytön aikana	-18 ... +50 °
Suosittelut akkusarjat	M18B...; M18HB...
Suosittelut latauslaitteet	M12-18...; M1418C6

Melunpäästö tiedot: Mitta-arvot määritetty EN 62841 mukaan. Koneen tyypillinen

A-luokitettu melutaso:

Melutaso / Epävarmuus K=

81 dB (A) / 3 dB (A)

Äänenvoimakkuus / Epävarmuus K=

89 dB (A) / 3 dB (A)

Käytä kuulosuojaimia!

Tärinä tiedot: Värähtelyn yhteisarvot (kolmen suunnan vektorisummittuna EN 62841 mukaan.

Värähtelyemissioarvo a_{hv} / Epävarmuus K=

4,9 m/s² / 1,5 m/s²

VAROITUS!

Tässä tiedotteessa ilmoitettu (ilmoitetut) tärinä- ja melupäästöarvo(t) on mitattu standardisoidulla testimenetelmällä SFS-EN 62841 mukaisesti ja sitä voidaan käyttää työkalun vertailumiseen toisen työkalun kanssa. Sitä voidaan käyttää alustavaan altistuksen arviointiin.

Ilmoitettu tärinä- ja melupäästöarvo koskee työkalun pääkäyttötarkoituksia. Jos kuitenkin työkalua käytetään eri käyttötarkoituksiin eri varusteiden kanssa tai huonosti huollettuna, voi tärinä- ja melupäästö erota ilmoitetusta. Tämä voi merkittävästi nostaa altistumistasoa koko työskentelyjakson ajaksi.

Arvioidussa tärinä- ja meluallistustasossa tulisi ottaa huomioon myös työkalun sammutuskerrat tai sen tyhjäkäynti. Tämä voi merkittävästi laskea altistumistasoa koko työskentelyjakson ajaksi.

Tunnista esimerkiksi seuraavat lisävaroitukset, joilla voidaan suojata käyttäjää tärinän ja/tai melun vaikutuksilta: työkalun ja varusteiden ylläpito, käsien lämpimänä pito, työnkulun organisointi.

Käytä korvasuojia. Altistuminen melulle voi vahingoittaa kuuloa.

VAROITUS! Lue kaikki varoimenpiteet, ohjeet, kuvalliset esitykset ja tiedot, jotka toimitetaan laitteen mukana. Ellet noudata seuraavia ohjeita, saattaa se johtaa sähköiskuun, tulipaloon ja/tai vaikeisiin loukkaantumisiin. **Säilytä kaikki turvallisuus- ja muut ohjeet tulevaisuutta varten.**

YLEISTEN OKSASAHAN TURVALLISUUSVAROITUKSET

- Pidä kaikki vartalon osat loitolla teräketjusta, kun se on käynnissä. Varmista ennen oksasahan käynnistystä, että teräketju ei kosketa mitään.** Hetkellinen varomattomuus oksasahaa käytettäessä voi johtaa vaatteiden tai vartalon sotkeutumiseen oksasahan kanssa.
- Pidä oksasahaa aina oikealla kädellä takakavhasta ja vasemmalla kädellä etukavhasta.** Älä koskaan vaihda käsien paikkaa oksasahaa pitäessäsi, se lisää henkilövahinkojen vaaraa.
- Pidä oksasahasta kiinni vain eristetyistä tartuntapinnoista, koska teräketju saattaa osua piilotettuihin johtoihin.** Teräketjujen kontakti jännitteeseen johtoon voi tehdä oksasahan esillä olevista metalliosista jännitteisiä ja käyttäjä voi saada sähköiskun.
- Käytä silmiensuojainta. On myös suositeltavaa käyttää suojavälineitä korville, päälle, käsille, jaloille ja jalkaterille.** Asianmukaiset suojaruusteet vähentävät lentävistä roskista tai teräketjun tahattomasta kosketuksesta aiheutuvia henkilövahinkoja.
- Älä käytä oksasahaa puussa, tikkailla, katolla tai millään epävakaalla tuella.** Tällainen oksasahan käyttö voi johtaa vakaviin henkilövahinkoihin.
- Huolehdi aina tukevasta jalkojen asennosta ja käytä oksasahaa vain, kun seisot kiinteällä, turvallisella ja tasaisella alustalla.** Liukkaat tai epävakaat pinnat voivat aiheuttaa tasapainon tai oksasahan hallinnan menetyksen.
- Varo takaisinponnahnusta jännitteistä oksaa sahatessa.** Kun puukuitujen jännitys vapautuu, ponnahtava oksa voi iskeä käyttäjään ja/tai aiheuttaa oksasahan hallinnan menetyksen.
- Käytä äärimmäistä varovaisuutta sahatessasi pensaikkoo ja**

taimia. Ohut materiaali voi tarttua teräketjuun ja paiskautua sinua kohti tai vetää sinut pois tasapainosta.

i) Kanna oksasahaa etukavhasta sen ollessa kytkettynä pois päältä ja pois päin vartalosta. Kiinnitä aina terälevysuoja, kun kuljetat tai säilytät oksasahaa. Oksasahan asianmukainen käsittely vähentää tahattoman kontaktin todennäköisyyttä liikkuvan teräketjun kanssa.

j) Noudata voitelua ja lisävarusteiden vaihtoon liittyviä ohjeita. Väärin kiristetty tai voideltu ketju voi joko katketa tai lisätä takapotkun mahdollisuutta.

k) Pidä kahvat kuivina, puhtaina ja vapaina öljystä ja rasvasta. Rasvaiset, öljyiset kahvat ovat liukkaita ja aiheuttavat hallinnan menetyksen.

l) Saha vain puuta. Älä käytä oksasahaa tarkoituksenvastaisesti. Esimerkiksi: älä käytä oksasahaa metalliin, muovin, murauksen tai muiden kuin puisten rakennusmateriaalien sahaamiseen. Oksasahan käyttö muuhun kuin tarkoituksenmukaiseen käyttöön voi johtaa vaaratilanteisiin.

Noudata kaikkia ohjeita irrottaessasi jumiutunutta materiaalia, säilyttäessäsi tai huoltaessasi oksasahaa. Varmista, että se on kytketty pois päältä ja akkupaketti on poistettu. Oksasahan odottamaton toiminta jumiutunutta materiaalia irrottaessa tai huollettaessa voi aiheuttaa vakavia henkilövahinkoja.

Takapotkun syyt ja sen estäminen:

Takapotku voi ilmetä, kun terälevyn nokka tai kärki osuu esineeseen tai kun puu taittuu ja puristaa teräketjun sahausviiltoon.

Kärkikosketus voi joissain tapauksissa aiheuttaa äkillisen käänteisen reaktion potkaisten terälevyn ylös ja takaisin käyttäjää kohti.

Teräketjun puristuminen terälevyn yläosan myötäisesti voi työntää terälevyn nopeasti taakse käyttäjää kohti.

Kumpikin näistä reaktioista voi aiheuttaa sahan hallinnan menetyksen, mikä voi johtaa vakaviin henkilövahinkoihin. Älä luota liikaa sahasi turvalaitteisiin.

Oksasahan käyttäjänä sinun kannattaa tehdä useita toimenpiteitä

VAROITUS! Oksasahat ovat mahdollisesti vaarallisia työkaluja. Oksasahan käyttöön liittyvät onnettomuudet johtavat usein raajan menetykseen tai kuolemaan. Oksasaha ei ole ainoa vaaran aiheuttaja. Putoavat oksat, kaatuvat puut ja pyörivät puun rungot voivat tappaa. Sairas tai laohaava puu aiheuttaa lisävaaraa. Arvioi kykysi suorittaa tehtävä turvallisesti. Jos et ole täysin varma, anna tehtävä ammattimaisen puukirurgin tehtäväksi.

Älä käytä tuotetta ohjeiden vastaisesti.

JÄÄMÄRISKIT

Vaikka tuotetta käytetäänkin määräysten mukaisesti, niin jäämäriskejä ei voida välttää täysin. Käytössä saattaa esiintyä seuraavia riskejä, ja siksi käyttäjän tulee muistaa seuraavat asiat:

- ITärinän aiheuttamat vammat
- Käytä aina työhön sopivaa työkalua. Käytä asianmukaisia käsikahvoja. Rajoita työskentelyaikaa ja altistumista.
- Melulle altistumisen aiheuttamat kuulovauriot
- Käytä kuulonsuojainta ja rajoita altistumista.
- Esillä olevien ketjun hampaiden kontaktin aiheuttamat vammat
- Työkappaleesta lentävien kappaleiden (puulastut, tikut) aiheuttamat vammat
- Pölyn ja hiukkasten aiheuttamat vammat
- Voiteluaineiden ihokontaktin aiheuttamat vammat
- Teräketjusta lentäneet osat (sahasau-/ruikutusvaarat)
- Terälevyn odottamaton, äkinäinen liike tai takapotku (sahasuvaarat)

RISKIEN VÄHENTÄMINEN

- On havaittu, että kädessä pidettävien työkalujen tärinät voivat osaltaan edesauttaa Raynaud'n oireyhtymän puhkeamista tietyillä yksilöillä. Oireet voivat olla pistelyä, tunnottomuutta ja valkosormisuuutta, joita ilmenee yleensä kylmälle altistuttaessa. Perinnöllisten tekijöiden, kylmä- ja kostealla altistumisen, ruokavalon, tupakoinnin ja työtapojen uskotaan kaikkien vaikuttavan näiden oireiden kehittymiseen. Käyttäjä voi mahdollisesti vähentää tärinän vaikutuksia seuraavilla toimenpiteillä:
 - Pidä vartalosi lämpimänä kylmällä säällä. Käytä käsiineitä käyttäessäsi yksikköä pitääksesi kädet ja ranteet lämpimänä.
 - Liiku jokaisen käyttöjakson jälkeen parantaaksesi verenkiertoa.
 - Pidä usein taukoja. Rajoita päivittäistä altistumista.
 - Ammattiliikkeissä myydään oksasahakäyttöön tarkoitettuja suojakäsineitä, jotka antavat suojaa, hyvän otteen ja myös vähentävät käsikahvan tärinän vaikutusta. Näiden käsieneiden tulisi vastata standardia EN 381-7 ja olla CE-merkittyjä.
- Jos havaitset joltain tämän oireyhtymän oireita, lopeta käyttö välittömästi ja ota yhteyttä lääkäriin.

VAROITUS! Työkalu pitkittynyt käyttö voi aiheuttaa tai pahentaa vammoja. Jos käytät työkalua pidempiä aikoja, muista pitää säännöllisesti taukoja.

LI-IONIAKKujen OHJEITA

Li-ioniakkujen käyttö

Pitkään käyttämättä olleet vaihtoakut on ladattava ennen käyttöä.

Yli 50°C lämpötilassa akun suorituskyky heikkenee. Välttähän akkujen säilyttämistä auringossa tai kuumissa tiloissa.

Pidä aina latauslaitteen ja akun kosketinpinnat puhtaina.

Optimaalisen käyttöiän saavuttamiseksi akut on ladattava täyteen käytön jälkeen.

Mahdollisimman pitkän elinajan takaamiseksi akut tulee poistaa laturista lataamisen jälkeen.

Akkuja yli 30 päivää säilytettäessä:

Säilytä akkuyksikkö kuivassa paikassa, jonka lämpötila on alle 27 °C

Säilytä akku sen latauksen ollessa 30 % - 50 %.

Lataa akku 6 kuukauden välein uudelleen.

Li-ioniakkujen yllälaatusuojaus

Jos akku ylikuormittuu erittäin suuren virrankulutuksen takia, esim. erittäin voimakkaiden vääntömomenttien, äkillisen pysähtymisen

tai oikosulun vuoksi, niin sähkötyökalu tärisee 5 sekunnin ajan, latausnäyttö vilkkuu ja sähkötyökalu sammuu omatoimisesti.

Käynnistä laite uudelleen päästämällä katkaisinpainikkeen irti ja käynnistämällä laitteen sitten uudelleen. Erittäin suuressa kuormituksessa akku kuumenee liikaa. Tässä tapauksessa latausnäyttö kaikki lamput vilkkuvat, kunnes akku on jäähtynyt. Kun latausnäyttö on sammunut, voi työtä jatkaa.

Litiumi-ioniakkujen kuljettaminen

Litiumi-ioniakut kuuluvat vaarallisten aineiden kuljetukseen annettujen lakien piiriin.

Näiden akkujen kuljettaminen täytyy suorittaa noudattaen paikallisia, kansallisia ja kansainvälisiä määräyksiä ja säädöksiä.

Kuluttajat saavat ilman muuta kuljettaa näitä akkuja teitä pitkin.

Kaupallisessa kuljetuksessa huolintaliikkeiden täytyy kuljettaa litiumi-ioniakkuja vaarallisten aineiden kuljetuksesta annettujen määräysten mukaisesti. Ainoastaan tähän vastaavasti koulutetut henkilöt saavat suorittaa kuljetuksen valmisteluimet ja itse kuljetuksen. Koko prosessia tulee valvoa asiantuntevasti.

Seuraavat kohdat tulee huomioida akkuja kuljetettaessa:

Varmista, että akkujen kontaktit on suojattu ja eristetty, jotta vältetään lyhtysulut.

Huolehdi siitä, ettei akkusarja voi luiskahtaa paikaltaan pakkauksen sisällä. Vahingoittuneita tai vuotavia akkuja ei saa kuljettaa. Pyydä tarkemmat tiedot huolintaliikkeeltäsi.

TYÖSKENTELYOHJEITA

KOKOONPANO

Teräketjun ja terälevyn kokoonpano

VAROITUS! Älä käytä laitetta, jos osia on vahingoittunut tai puuttuu, ennen kuin osat on korvattu uusilla. Tämän varoituksen huomiotta jättäminen voi johtaa vakaviin henkilövahinkoihin.

Muista irrottaa akku. Käytä suojakäsineitä!

- Irrota levyn kiinnitysmutterit käyttäen mukana toimitettua kiintoavainta.
- Poista ketjusuoja.
- Aseta ketju oikeaan suuntaan suuntaan levyille ja varmista, että vetolenkit on kohdistettu levyurassa.
- Liitä levy oksasahaan ja kierrä ketju käyttöhammasketjun ympärille.
- Aseta teräsuoja ja levyn kiinnitysmutterit paikalleen.
- Kiristä levyn kiinnitysmutterit käsin. Levyn on voitava liikkua ketjun kireyden säätöä varten.
- Säädä ketjun kireys. Katso kohta "Ketjun kireyden säätö".
- Pidä terälevyn kärkeä ylhäällä ja kiristä levyn kiinnitysmutterit varmasti.

VAROITUS! Teräketju on terävä. Käytä aina suojakäsineitä huoltaessasi ketjua.

Ketjun kireyden säätö

Poista akkupaketti ennen töiden aloittamista oksasahalla.

Kun haluat lisätä ketjun kireyttä, käännä kiristysruuvia myötäpäivään ja tarkista ketjun kireys usein. Kun haluat vähentää ketjun kireyttä, käännä kiristysruuvia vastapäivään ja tarkista ketjun kireys usein.

Ketjun kireys on oikea, kun ketjun terän ja levyn välinen rako on noin 6,8 mm. Vedä ketjua alaspäin alapuolen keskikohdasta (levystä poispäin) ja mittaa levyn ja ketjun terien välinen etäisyys. Kiristä levyn kiinnitysmuttereitä kiertämällä niitä vastapäivään.

Huomaa: Älä kiristä ketjua liikaa - liiallinen kireys voi aiheuttaa liiallista kulumista ja vähentää ketjun käyttöikää ja vahingoittaa levyä. Uudet ketjut voivat venyä ja löystyä ensimmäisen käyttökerran aikana. Poista akkupaketti ja tarkista ketjun kireys usein ensimmäisten kahden käyttötunnin aikana. Ketjun lämpötila nousee tavallisen käytön aikana, mikä aiheuttaa ketjun venymisen. Tarkista ketjun kireys usein ja säädä tarvittaessa. Lämpimänä kiristetty ketju saattaa olla liian kireä jäähtyttyään. Varmista, että

ketjun kireys on säädetty oikein näiden ohjeiden mukaisesti.

Ketjun voiteluöljyn lisäys

VAROITUS! Älä työskentele koskaan ilman ketjun voiteluainetta. Jos teräketju käy ilman voiteluainetta, terälevy ja teräketju voivat vahingoittua. On erittäin tärkeää tarkistaa öljyn taso öljymäärän mittarista usein ja ennen oksasahan käyttöä. Pidä säiliö yli ¼ täynnä, jotta öljyä on varmasti riittävästi työtä varten.

Huomaa: On suositeltavaa käyttää kasvipohjaista ketjuöljyä puita karsittaessa. Mineräaliöljy voi vahingoittaa puita. Älä koskaan käytä jäteöljyä, autoöljyä tai erittäin paksuja öljyjä. Ne voivat vahingoittaa oksasahaa. Puhdista öljykorkin ympäristö saastumisen estämiseksi.

- Kierrä korkki auki ja irrota öljysäiliöstä.
- Kaada öljyä öljysäiliöön ja tarkkaile öljymäärän mittaria.
- Laita öljykorkki takaisin ja kiristä. Pyyhi läikkyneet öljy pois.

Oksasahan pitäminen

Pidä oksasahaa aina oikealla kädellä takakahvasta ja vasemmalla kädellä etukahvasta. Tartu kumpaankin kahvaan niin, että peukalot ja sormet ympäröivät kahvat.

Oksasahan käynnisty

Asenna akku oksasahaan ennen sen käynnistämistä.

Uudelleenkäynnistysuoja

Sähkötyökalussa on uudelleenkäynnistysuoja.

Tämä estää päälle kytketyn sähkötyökalun itse käynnistymisen silloin, kun akkuyksikkö asetetaan paikoilleen ja uudelleen käynnistymisen akkuyksikön pois päältä kytkemisen jälkeen.

Mikäli ohjaustanko on puun ulkopuolella, sammuta kone ja kytke sitten takaisin päälle jatkaaksesi työskentelyä.

Mikäli ohjaustanko on puun sisäpuolella, odota kunnes sahan terä pysähtyy kokonaan. Varmista, että kytkin on pois päältä -asennossa. Poista akku koneesta ja ohjaustanko viillosta. Aseta akku takaisin paikoilleen ja kytke kone takaisin päälle jatkaaksesi työskentelyä.

KULJETUS JA SÄILYTYS

Öljyä ketju kevyesti aina säilytyksen ajaksi estääksesi ruostumisen. Tyhjänä aina öljysäiliö säilytyksen ajaksi estääksesi vuodon. Pysäytä laite, poista akku ja anna jäähtyä ennen säilytystä tai kuljetusta.

Puhdista kaikki vieraat materiaalit laitteesta. Säilytä laitetta viileässä, kuivassa ja hyvin ilmastoidussa tilassa, johon lapsilla ei ole pääsyä. Pidä erillään syövästä välineistä, kuten puutarhakemikaaleista ja jäänpoistosuoloista. Älä säilytä ulkona.

Laita terälevysuoja paikalleen ennen laitteen varastointia tai kuljetuksen ajaksi.

Jos laitetta kuljetetaan ajoneuvossa, varmista se liikettä tai kaatumista vastaan estääksesi henkilövahingot ja laitevauriot.

PUHDISTUS

Puhdista pöly ja jäämät aukoista. Pidä kahva puhtaana, kuivana, öljyttömänä ja rasvattomana. Käytä ainoastaan mietoja saippuaa ja kosteaa liinaa, sillä tietyt puhdistusaineet ja liuottimet vahingoittavat muoveja ja muita eristettyjä osia. Esimerkkinä vaurioittavista aineista ovat benssiini, tärpätti, ohenne, klooripitoiset puhdistusaineet, ammoniakki ja ammoniakkipitoiset kotitalouspuhdistusaineet. Älä koskaan käytä syttyviä tai tulenarkoja liuottimia työkalujen lähellä.

HUOLTO

VAROITUS! Käytä ainoastaan Milwaukee lisätarvikkeita ja Milwaukee varaosia. Tämän laiminlyönti voi aiheuttaa vammoja, heikentää suorituskykyä ja kumota takuun. Käytä ainoastaan Milwaukee lisätarvikkeita ja Milwaukee varaosia. Mikäli jokin komponentti, jota ei ole kuvailtu, tarvitsee vaihtoa ota yhteys johonkin Milwaukee palvelupisteistä (kts. listamme takuuhoitoliiikkeiden/ palvelupisteiden osoitteista)

VAROITUS! Huolto vaatii äärimmäistä huolellisuutta ja tietämystä ja vain pätevän huoltohenkilön tulisi tehdä se. Suosittelemme, että viet laitteen lähimpään MILWAUKEE-palvelupisteeseen korjausta varten. Käytä huollettaessa vain identtisiä varaosia.

VAROITUS! Poista akku ennen säätöä, huoltoa tai puhdistusta. Tämän laiminlyönti voi johtaa vakaviin henkilövahinkoihin. Vain tässä käyttöoppaassa kuvattujen säätöjen ja korjaustöiden teko on sallittua. Ota muiden korjaustöiden pitteissa yhteyttä valtuutettuun huoltoilikkeeseen.

Asiattoman huollon seuraukset voivat aiheuttaa ketjun katkeamisen ja muiden turvatoimintojen toimintahäiriöitä, mikä lisää vakavien vammojen mahdollisuutta.

Pidä oksasahasi kunnossa ja turvassa ammattimaisesti. • Ketjun teroitus turvallisesti on vaativa tehtävä. Siksi valmistaja suosittelee vahvasti, että kulunut tai tylsä ketju vaihdetaan uuteen. Ketjuja saa MILWAUKEE-huoltoilikkeestä. Osanumero löytyy tämän käyttöoppaan tuotetiedoista.

Noudata voiteluun ja ketjun kireyden tarkistukseen ja säätöön liittyviä ohjeita.

Puhdista laite käytön jälkeen pehmeällä, kuivalla liinalla.

Poista kaikki lastut, lika ja roskat akun lokeroista.

Tarkista kaikki mutterit, pultit ja ruuvit säännöllisesti varmistaaksesi, että laite on turvallisessa kunnossa. Kaikki vahingoittuneet osat tulisi korjata asianmukaisesti tai vaihtaa uusiin MILWAUKEE-palvelupisteessä.

Terälevyn ja teräketjun vaihto

Käytä suojakäsineitä.

- Poista akkuyksikkö
- Poista ohjaustangon suoja
- Irrota levyn kiinnitysmutterit käyttäen mukana toimitettua kiintoavainta.
- Poista ketjusuoja.
- Löysää sahan ketjun kireyttä. Katso kohta "Ketjun kireyden säätäminen".
- Poista vanha ketju ja ohjaustanko
- Aseta uusi ketju oikeaan suuntaan suuntaan levyille ja varmista, että vetolenkit on kohdistettu levyurassa.
- Liitä levy oksasahaan ja kierrä ketju käyttöhammasketjun ympärille.
- Asenna vetopyörän suojus ja terälevyn kiinnitysmutteri takaisin paikalleen.
- Kiristä terälevyn kiinnitysmutteri sormin.
- Ketjun kireyden säätöä varten terälevyn on oltava vapaasti liikuteltavissa.
- Säädä ketjun kireys. Katso kohta "Ketjun kireyden säätö".
- Pidä terälevyn kärkeä ylhäällä ja kiristä levyn kiinnitysmutterit varmasti.

VAROITUS! Tylsä tai väärin teroitettu ketju voi aiheuttaa moottorin liiallisen pyörimisnopeuden sahaamisen aikana, mikä voi johtaa vakaviin moottorivaurioihin.

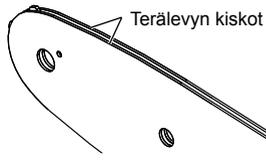
VAROITUS! Ketjun väärä teroitus lisää takapotkun mahdollisuutta.

VAROITUS! Vaurioituneen ketjun korvaamisen tai korjaamisen laiminlyönti voi aiheuttaa vakavia vammoja.

VAROITUS! Teräketju on terävä. Käytä aina suojakäsineitä huoltaessasi ketjua.

Terälevyn huolto

Kun terälevyssä näkyy kulumisen merkkejä, käännä terälevy sahasa ylösalaisin, jotta kuluminen jakautuu ja levyn käyttöikä on mahdollisimman pitkä. Levy on puhdistettava jokainen käyttöpäivä ja tarkistettava kulumisen ja vaurioiden varalta. Jäysteenvuodostuminen tai sen irtoaminen terälevyn kiskoista on normaali prosessi levyn kulumisessa. Tällaiset viat on tasoitettava viialla heti, kun ne ilmenevät.



Kisko, jossa on jokin seuraavista vioista, on vaihdettava.

- Kuluminen terälevyn kiskojen sisäpuolella, mikä mahdollistaa ketjun siirtymisen sivuttain.
- Taipunut terälevy.
- Halkeillut tai rikkoutuneet kiskot.
- Levinneet kiskot.

Voitele terälevyt, joiden kärjessä on ketjupyörä, viikoittain. Voitele viikoittain rasvaruiskulla voiteluaukkoa. Käännä terälevy ja tarkista, että voitelureiät ja terälevyn kiskot ovat puhtaat.

Huoltoaikataulu

Päivittäinen tarkistus

Levyn voitelu	Ennen jokaista käyttökertaa
Ketjun kireys	Ennen jokaista käyttökertaa ja usein
Ketjun terävyys	Ennen jokaista käyttökertaa, silmämääräinen tarkistus
Vaurioituneille osille	Ennen jokaista käyttökertaa
Löysille kiinnikkeille	Ennen jokaista käyttökertaa
Terälevy	Ennen jokaista käyttökertaa
Koko saha	Jokaisen käyttökerran jälkeen

Varaosat (Levy ja ketju)

Valmistaja	MILWAUKEE	OREGON
Ketju	4932 4801 76	90F033XTR
Terälevy	4932 4801 69	360804

Ketju on asetettava saman valmistajan levyyn edellä mainittujen yhdistelmien mukaisesti.

Räjätyskuva

Tarpeen vaatiessa voit pyytää lähettämään laitteen kokoonpanopiirustuksen ilmoittamalla arvokilven numeron seuraavasta osoitteesta: Techtronic Industries GmbH, Max-Eyth-Straße 10, 71364 Winnenden, Germany.

SYMBOLIT

	Lue käyttöohjeet huolellisesti, ennen koneen käynnistämistä.
	HUOMIO! VAROITUS! VAARA!
	Ota akku pois ennen kaikkia koneeseen tehtäviä toimenpiteitä.
	Älä jätä konetta alttiiksi sateelle.
	Älä käytä yhdellä kädellä
	Käytä oksasahaa aina kahdella kädellä
	Käytä turvakengiä, joissa on viiltosuojain, luistamaton pohja ja teräskärki!
	Käytä suojakäsineitä!
	Käytä aina suojavaatetusta ja tukevia jalkineita.
	Käytä suojakypärää. Käytä kuulosuojaimia! Käytä suojalaseja.
	Varo oksasahan takapotkua ja vältä kontaktia levyn kärjen kanssa
	Pidä sivulliset vähintään 15 metrin päässä käytön aikana.
	Ketjuöljyn säiliö
	Kierrä säätääksesi ketjun kireyttä
	Ketjun kulkusuunta
	Lisälaitte - Ei sisälly vakiovarustukseen, saatavana lisätarvikkeena.



Älä hävitä käytettyjä paristoja, sähkö- ja elektroniikkaromua laittelemattomana yhdyskuntajätteenä. Käytetyt paristot sekä sähkö- ja elektroniikkaromu on kerättävä erikseen. Käytetyt paristot, romuakut ja valonlähteet on irrotettava laitteista. Kysy paikallisilta viranomaisilta tai jälleenmyyjiltä neuvoa kierrättämiseen ja tietoa keräyspisteestä. Paikalliset säännökset saattavat velvoittaa vähittäiskauppiaat ottamaan käytetyt paristot, sähkö- ja elektroniikkaromun takaisin maksutta. Panoksesi käytettyjen paristojen sekä sähkö- ja elektroniikkalaiteromun uudelleenkäytössä ja kierrätyksessä auttaa vähentämään raaka-aineiden kysyntää. Käytetyt paristot, etenkin litiumia sisältävät, sekä sähkö- ja elektroniikkaromu sisältävät arvokkaita, kierrätettäviä materiaaleja, jotka saattavat vaikuttaa haitallisesti ympäristöön ja ihmisten terveyteen, jos niitä ei hävitetä ympäristöstävällisesti. Poista mahdolliset henkilökohtaiset tiedot hävitettävästä laitteesta.



Taattu äänenvoiman taso 79 dB(A)



Kuormittamaton ketjunopeus



Jännite



Tasavirta



Euroopan säännönmukaisuusmerkki



Britannian säännönmukaisuusmerkki



Ukrainan säännönmukaisuusmerkki



Euraasian säännönmukaisuusmerkki

ΤΕΧΝΙΚΑ ΣΤΟΙΧΕΙΑ	M18 FHS20
Κατασκευαστικό είδος	πριόνι κλαδέματος
Αριθμός παραγωγής	4916 50 01 XXXXXX MJJJJ
Τάση ανταλλακτικής μπαταρίας	18 V ==
Ταχύτητα αλυσίδας χωρίς φορτίο	4,8 m/s
Μήκος μπάρας Μέν.	8" / 200 mm
Ωφέλιμο μήκος κοπής	7,4" / 189 mm
Χωρητικότητα δεξαμενής λαδιού αλυσίδας	77 ml
Βάρος σύμφωνα με τη διαδικασία ΕΡΤΑ 01/2014 01/2014 (Li-Ion 2.0 Ah .. 12.0 Ah)	2,8 kg 3,9 kg
Συνιστώμενη θερμοκρασία περιβάλλοντος για τη λειτουργία	-18 ... +50 °
Συνιστώμενη δέσμη συσσωρευτών	M18B...; M18HB...
Συνιστώμενη συσκευή φόρτισης	M12-18...; M1418C6
Πληροφορίες θορύβου: Τιμές μέτρησης εξακριβωμένες κατά EN 62841. Η σύμφωνα με την καμπύλη Α εκτιμηθείσα στάθμη θορύβου του μηχανήματος αναφέρεται σε:	
Στάθμη ηχητικής πίεσης / Ανασφάλεια K=	81 dB (A) / 3 dB (A)
Στάθμη ηχητικής ισχύος / Ανασφάλεια K=	89 dB (A) / 3 dB (A)
Φοράτε προστασία ακοής (ωασιπίδες)!	
Πληροφορίες δόνησεων: Υλικές τιμές κραδασμών (άθροισμα διανυσμάτων τριών διευθύνσεων) εξακριβωθηκαν σύμφωνα με τα πρότυπα EN 62841.	
Τιμή εκπομπής δόνησεων a _n / Ανασφάλεια K=	4,9 m/s ² / 1,5 m/s ²

ΠΡΟΕΙΔΟΠΟΙΗΣΗ!

Το αναφερόμενο στο παρόν φυλλάδιο επίπεδο τιμών δόνησης και εκπομπής θορύβου έχει μετρηθεί σύμφωνα με μια τυπική μέθοδο δοκιμών κατά το πρότυπο EN 62841 και μπορεί να χρησιμοποιηθεί για τη σύγκριση εργαλείων μεταξύ τους. Μπορεί να χρησιμοποιηθεί για μια προκαταρκτική αξιολόγηση της έκθεσης.

Οι αναφερόμενες τιμές επιπέδων δόνησης και εκπομπής θορύβου αντιστοιχούν στις βασικές εφαρμογές του εργαλείου. Στην περίπτωση χρήσης του εργαλείου σε διαφορετικές εφαρμογές, με διαφορετικά εξαρτήματα ή ανεπαρκή συντήρηση, τα επίπεδα δόνησης και εκπομπών θορύβου ενδέχεται να διαφέρουν. Αυτό μπορεί να έχει ως συνέπεια μία σημαντική αύξηση των επιπέδων έκθεσης καθόλη τη διάρκεια εκτέλεσης των εργασιών.

Για μία εκτίμηση των επιπέδων έκθεσης σε δόνηση και θόρυβο πρέπει να συνυπολογίζονται οι χρόνοι απενεργοποίησης του εργαλείου ή αυτοί κατά τους οποίους παραμένει ενεργό χωρίς να εκτελείται κάποια εργασία. Αυτό μπορεί να μειώσει σημαντικά τα επίπεδα έκθεσης καθόλη τη διάρκεια εκτέλεσης των εργασιών.

Ορίστε πρόσθετα μέτρα προστασίας του χειριστή από την έκθεση στη δόνηση ή/και στον θόρυβο όπως: συντήρηση του εργαλείου και των παρελκόμενων εξαρτημάτων, διατήρηση θερμότητας των χεριών, οργάνωση μοτίβων εργασιών.

Φοράτε ωασιπίδες. Η επίδραση θορύβου μπορεί να προκαλέσει απώλεια ακοής.

ΠΡΟΕΙΔΟΠΟΙΗΣΗ!

Διαβάστε όλες τις υποδείξεις ασφαλείας, τις οδηγίες, τις εικόνες και τα δεδομένα, τα οποία θα λάβετε μαζί με το μηχάνημα. Η μη τήρηση των οδηγιών που ακολουθούν, μπορεί να οδηγήσει σε ηλεκτροπληξία, φωτιά και/ή σε σοβαρούς τραυματισμούς.

Φυλάξτε όλες τις προειδοποιητικές υποδείξεις και οδηγίες για κάθε μελλοντική χρήση.

ΓΕΝΙΚΕΣ ΠΡΟΕΙΔΟΠΟΙΗΤΙΚΕΣ ΥΠΟΔΕΙΞΕΙΣ ΓΙΑ ΠΡΙΟΝΙΑ ΚΛΑΔΕΜΑΤΟΣ

α) Διατηρείτε όλα τα μέρη του σώματος μακριά από την αλυσίδα πριονίσματος, όταν το πριόνι κλαδέματος βρίσκεται σε λειτουργία. Πριν ενεργοποιήσετε το πριόνι κλαδέματος, να βεβαιώνετε ότι η αλυσίδα πριονίσματος δεν έρχεται σε επαφή με κανένα αντικείμενο. Σε στιγμή απροσεξίας, κατά τη διάρκεια λειτουργίας ενός πριονίου κλαδέματος μπορεί να πιαστούν τα ρούχα ή μέρη του σώματος σας στην αλυσίδα πριονίσματος.

β) Κρατάτε πάντα το πριόνι κλαδέματος με το δεξί χέρι από την πίσω λαβή και με το αριστερό χέρι από την μπροστινή λαβή. Αν κρατήσετε το πριόνι κλαδέματος με την αντίστροφη διάταξη των χεριών, αυξάνεται ο κίνδυνος πρόκλησης τραυματισμών και δεν πρέπει να το κάνετε ποτέ.

γ) Κρατάτε το πριόνι κλαδέματος μόνο από τις μονωμένες επιφάνειες στις λαβές, καθώς η αλυσίδα πριονίσματος μπορεί να έρθει σε επαφή με κρυφές καλωδιώσεις. Πριόνια κλαδέματος που έρχονται σε επαφή με ρευματοφόρα καλώδια μπορεί να καταστήσουν εξωτερικά μεταλλικά εξαρτήματα του πριονίου κλαδέματος επίσης ρευματοφόρα και να προκαλέσουν ηλεκτροπληξία στο χειριστή.

δ) Φοράτε προστατευτικά ματιών. Συνιστάται η χρήση περαιτέρω εξοπλισμού ατομικής προστασίας για το κεφάλι, τα χέρια και τα άνω και κάτω μέρη των ποδιών. Ο επαρκής

εξοπλισμός ατομικής προστασίας μειώνει τους τραυματισμούς από εκτοξευόμενα θραύσματα ή την ακούσια επαφή με την αλυσίδα πριονίσματος.

ε) Μη λειτουργείτε το πριόνι κλαδέματος ενώ βρίσκεστε πάνω σε δέντρα, σκάλες, σκεπές ή ασταθείς βάσεις. Η λειτουργία του πριονίου κλαδέματος με τέτοιον τρόπο μπορεί να προκαλέσει σοβαρούς τραυματισμούς.

ς) Διατηρείτε πάντα κατάλληλο πάτημα και λειτουργείτε το πριόνι κλαδέματος μόνο όταν στέκεστε σε σταθερή, ασφαλή και επίπεδη επιφάνεια. Ολισθηρές ή ασταθείς επιφάνειες μπορεί να προκαλέσουν απώλεια της ισορροπίας ή του ελέγχου του πριονίου κλαδέματος.

γ) Όταν κόβετε ένα κλαδί που βρίσκεται υπό τάση, να βρίσκεστε σε εγγύηση για αντίστροφη επίδραση. Όταν απελευθερωθεί η τάση στις ίνες του ξύλου, το κλαδί με ελαστικομηχανική δύναμη μπορεί να χτυπήσει το χειριστή και/ή να παρασύρει το πριόνι κλαδέματος εκτός ελέγχου.

η) Να είστε ιδιαίτερα προσεκτικοί όταν κόβετε θάμνος ή δενδρύλλια. Τα λεπτά υλικά μπορεί να εμπλακούν στην αλυσίδα πριονίσματος και να κινηθούν εναντίον σας με μαστιγωτή κίνηση ή να σας τραβήξουν και να χάσετε την ισορροπία σας.

ι) Μεταφέρετε το πριόνι κλαδέματος από την μπροστινή λαβή, με το πριόνι κλαδέματος να είναι απενεργοποιημένο και μακριά από το σώμα σας. Όταν μεταφέρετε ή αποθηκεύετε το πριόνι κλαδέματος, τοποθετείτε πάντα το κάλυμμα της μπάρας οδήγησης. Ο σωστός χειρισμός του πριονίου κλαδέματος μειώνει την πιθανότητα ακούσιας επαφής με την κινούμενη αλυσίδα πριονίσματος.

ι) Τηρείτε τις οδηγίες για τη λίπανση, το τέντωμα της αλυσίδας και την αντικατάσταση της μπάρας και της αλυσίδας. Μια αλυσίδα που είναι ακατάλληλα τεντωμένη ή λιπασμένη, μπορεί να σπάσει ή να αυξήσει την πιθανότητα ανάδρασης.

κ) Διατηρείτε τις λαβές στεγνές, καθαρές και χωρίς λάδια ή γράσα. Λαβές με λάδια ή γράσα είναι ολισθηρές και προκαλούν απώλεια του ελέγχου.

λ) Κόβετε μόνο ξύλο. Μη χρησιμοποιείτε το πριόνι κλαδέματος για σκοπούς που δεν προορίζεται. Για παράδειγμα: μη χρησιμοποιείτε το πριόνι κλαδέματος για την κοπή μετάλλων, πλαστικών, υλικών τοιχοποιίας ή μη ξυλινών δομικών υλικών. Η χρήση του πριονίου κλαδέματος για εφαρμογές διαφορετικές από αυτές για τις οποίες προορίζεται, μπορεί να οδηγήσει σε επικίνδυνες καταστάσεις.

Ακολουθείτε όλες τις οδηγίες όταν καθαρίζετε υλικά που έχουν εμπλακεί στο εργαλείο και όταν αποθηκεύετε ή πραγματοποιείτε σέρβις στο πριόνι κλαδέματος. Βεβαιωθείτε ότι ο διακόπτης είναι απενεργοποιημένος και το πακέτο συσσωρευτών έχει αφαιρεθεί. Η απόρριψη ενεργοποίηση του πριονίου κλαδέματος κατά τη διάρκεια καθαρισμού υλικών που έχουν εμπλακεί στο εργαλείο ή κατά τη διάρκεια εργασιών σέρβις μπορεί να προκαλέσει σοβαρούς τραυματισμούς.

Αίτια ανάδρασης και τρόποι αποφυγής της από το χειριστή:

Η ανάδραση μπορεί να προκληθεί, όταν η μύτη ή το άκρο της μπάρας οδήγησης αγγίζει ένα αντικείμενο ή όταν το ξύλο κλείσει και εγκλωβίσει την αλυσίδα πριονίσματος στο σημείο κοπής.

Η επαφή με το άκρο μπορεί, σε κάποιες περιπτώσεις, να προκαλέσει μια ξαφνική αντίδραση αναστροφής, ωθώντας την μπάρα οδήγησης επάνω και πίσω προς το χειριστή.

Ο εγκλωβισμός της αλυσίδας πριονίσματος κατά μήκος της κορυφής της μπάρας οδήγησης μπορεί να ωθήσει την μπάρα οδήγησης με ταχύτητα πίσω προς το χειριστή.

Οποιαδήποτε από αυτές τις αντιδράσεις μπορεί να έχει ως αποτέλεσμα να χάσετε τον έλεγχο και να σας προκαλέσει σοβαρούς τραυματισμούς. Μη βασίζεστε αποκλειστικά στις συσκευές ασφαλείας που είναι συναρμολογημένες πάνω στο πριόνι σας.

Ως χρήστης πριονίου κλαδέματος θα πρέπει να λαμβάνετε διάφορα μέτρα ώστε να αποτρέψετε ατυχήματα και τραυματισμούς κατά τη διάρκεια των εργασιών κοπής.

Η ανάδραση είναι το αποτέλεσμα της κακής χρήσης του πριονίου κλαδέματος και/ή των λανθασμένων διαδικασιών ή συνθηκών λειτουργίας και μπορεί να αποτραπεί με τη λήψη κατάλληλων προληπτικών μέτρων όπως περιγράφεται παρακάτω:

α) Κρατάτε το πριόνι κλαδέματος σταθερά με τα δύο χέρια, με τους αντίχειρες και τα δάχτυλά σας να κυκλώνουν τις λαβές του πριονίου κλαδέματος και τοποθετείτε το σώμα και το χέρι σας έτσι, ώστε να μπορείτε να αντισταθείτε στις δυνάμεις ανάδρασης. Οι δυνάμεις ανάδρασης μπορούν να θεθούν υπό έλεγχο από το χειριστή, αν ληφθούν τα κατάλληλα προληπτικά μέτρα. Μην αφήσετε το πριόνι κλαδέματος από τα χέρια σας.
β) Μην τεντώνετε και μην κόβετε πάνω από το ύψος του ώμου. Αυτό βοηθά στην αποφυγή της ακούσιας επαφής του άκρου και παρέχει δυνατότητα για καλύτερο έλεγχο του πριονίου κλαδέματος σε απόρριπτες καταστάσεις.

γ) Χρησιμοποιείτε μόνο τις ανταλλακτικές μπάρες οδήγησης και αλυσίδες που συνιστά ο κατασκευαστής. Ακατάλληλες ανταλλακτικές μπάρες οδήγησης και αλυσίδες μπορεί να προκαλέσουν θραύση της αλυσίδας και/ή ανάδραση.

δ) Ακολουθείτε τις οδηγίες του κατασκευαστή για το τρόχισμα και τη συντήρηση του αλυσιοπριονίου. Η μείωση του ύψους του ρυθμιστή βάθους μπορεί να προκαλέσει αυξημένη ανάδραση.

ΠΕΡΑΙΤΕΡΩ ΟΔΗΓΙΕΣ ΑΣΦΑΛΕΙΑΣ ΚΑΙ ΧΡΗΣΕΩΣ

Συνιστάται να κόβετε κούτσουρα πάνω σε τρίποδο κοπής ξύλων ή σε βάση στήριξης κατά τη διάρκεια λειτουργίας του μηχανήματος για πρώτη φορά.

Πρόσδεση

Πρόσδεση μόνο με σχοινιά απόσβεσης ενέργειας. Συνδέετε τον αναδότη μόνο στη θηλιά του σχοινού.

Μην προσαρτάτε το μέσο πρόσδεσης στη λαβή, στο κάλυμμα της μπάρας οδήγησης ή σε οποιοδήποτε άλλο σημείο του εργαλείου. Βεβαιωθείτε ότι όλοι οι προφυλακτήρες, οι λαβές και ο οδοντωτός αναστολέας είναι σωστά τοποθετημένα και βρίσκονται σε καλή κατάσταση.

Τα άτομα που χρησιμοποιούν το πριόνι κλαδέματος θα πρέπει να είναι υγιή. Το πριόνι κλαδέματος είναι βαρύ και, κατά συνέπεια, ο χειριστής πρέπει να βρίσκεται σε ανάλογη φυσική κατάσταση.

Ο χειριστής θα πρέπει να βρίσκεται σε εγγύηση, να έχει καλή όραση, ευκίνησια, ευστάθεια και χειρωνακτική επιδεξιότητα. Αν υπάρχει οποιαδήποτε αμφιβολία, μη λειτουργήσετε το πριόνι κλαδέματος.

Μην ξεκινάτε να χρησιμοποιείτε το πριόνι κλαδέματος μέχρι να έχετε καθαρίσει την περιοχή εργασίας και να έχετε διασφαλίσει ασφαλείς πάτημα και σχεδιασμένη διαδρομή οπισθοχώρησης από ένα δέντρο που πέφτει. Προσέξτε την εκπομπή νέφους λιπαντικού και πριονόσκονης. Φοράτε, αν χρειάζεται, μάσκα ή αναπνευστήρα.

Μην κόβετε κλήματα αμέσλου και/ή μικρή χαμηλή βλάστηση.

Κρατάτε πάντα το πριόνι κλαδέματος με τα δύο χέρια κατά τη διάρκεια της λειτουργίας. Κρατάτε το εργαλείο σταθερά, με τους αντίχειρες και τα δάχτυλά σας να κυκλώνουν τις λαβές του πριονίου κλαδέματος. Το δεξί χέρι πρέπει να βρίσκεται στην πίσω λαβή και το αριστερό χέρι στην μπροστινή λαβή.

Πριν την ενεργοποίηση του πριονίου κλαδέματος βεβαιωθείτε ότι η αλυσίδα πριονίσματος δεν έρχεται σε επαφή με κανένα αντικείμενο.

Μην τροποποιείτε το πριόνι κλαδέματος με οποιονδήποτε τρόπο και μην το χρησιμοποιείτε για την ενεργοποίηση εξαρτημάτων ή συσκευών που δεν συνιστώνται από τον κατασκευαστή για το πριόνι κλαδέματος σας.

Κοντά στο χειριστή θα πρέπει να υπάρχει ένα κουτί πρώτων βοηθειών που να περιέχει μεγάλες γάζες κάλυψης τραυμάτων και ένα μέσο κλήσης βοήθειας (π.χ. σφυρίχτρα). Σε λογική απόσταση θα πρέπει να υπάρχει ένα μεγαλύτερο και πληρέστερο κουτί.

Μια λανθασμένα τεντωμένη αλυσίδα μπορεί να αναπηδήσει έξω από την μπάρα οδήγησης και να προκαλέσει σοβαρό ή θανάσιμο τραυματισμό. Το μήκος της αλυσίδας εξαρτάται από τη θερμοκρασία. Ελέγχετε συχνά την τάση.

Θα πρέπει να εξοικειωθείτε με το καινούριο πριόνι κλαδέματος σας πραγματοποιώντας μικρές κοπές σε ξύλο με επαρκή υποστήριξη. Ακολουθήστε την ίδια πρακτική σε περίπτωση που δεν έχετε λειτουργήσει το πριόνι για κάποιο διάστημα. Για να μειώσετε τον κίνδυνο τραυματισμού λόγω επαφής με κινούμενα εξαρτήματα, απενεργοποιείτε πάντα τον κινητήρα, αφαιρέτε το πακέτο μπαταρίας και βεβαιωθείτε ότι έχουν ακινητοποιηθεί όλα τα κινούμενα μέρη πριν:

- καθαρίσετε ή αφαιρέσετε υλικά που μπλοκάρουν τη λειτουργία
- αφήσετε το μηχάνημα χωρίς επίβλεψη
- εγκαταστήσετε ή αφαιρέσετε εξαρτήματα
- πραγματοποιήσετε έλεγχο, συντήρηση ή άλλες εργασίες στο μηχάνημα

Το μέγεθος της περιοχής εργασίας εξαρτάται από την εργασία που εκτελείτε, καθώς και από το μέγεθος του δέντρου ή του τεμαχίου προς επεξεργασία. Για παράδειγμα, η υλοτόμηση δέντρου απαιτεί μεγαλύτερη περιοχή εργασίας σε σύγκριση με άλλες κοπές, όπως π.χ. τον τεμαχισμό κούτσουρων στο έδαφος κ.λπ. Ο χειριστής πρέπει να γνωρίζει και να έχει υπό έλεγχο οπδήποτε συμβαίνει στην περιοχή εργασίας.

Μην κόβετε έχοντας το σώμα σας στην ίδια ευθεία με την μπάρα οδήγησης και την αλυσίδα. Αν αντιμετωπίσετε ανάδραση, αυτό θα σας βοηθήσει να αποτρέψετε την επαφή της αλυσίδας με το κεφάλι ή το σώμα σας.

Μην υιοθετείτε μια κίνηση πριονίσματος πίσω-μπρος κατά τη διάρκεια της κοπής, αλλά αφήνετε την αλυσίδα να κάνει τη δουλειά. Διατηρείτε την αλυσίδα προχωρήσιμη και μην επιχειρείτε να ωθήσετε την αλυσίδα διαμέσου του σημείου κοπής.

Μην ασκείτε πίεση στο αλυσιοπριόνιο στο τέρμα της κοπής. Να είστε προετοιμασμένοι να στρίψετε το βάρος του πριονίου καθώς απελευθερώνεται κατά την έξοδο από το ξύλο. Αποτυχία στήριξης του βάρους μπορεί να οδηγήσει σε σοβαρούς τραυματισμούς.

Μη διακόπτετε το κόψιμο στο μέσο μιας εργασίας κοπής.

Διατηρείτε το πριόνι ενεργοποιημένο μέχρι να έχει ήδη αφαιρεθεί από το σημείο κοπής. Μην ασφαλίσετε σταθερά το διακόπτη ενεργοποίησης/απενεργοποίησης στη λειτουργία χειρός.

Πριν από κάθε εργασία στη μηχανή αφαιρείτε την ανταλλακτική μπαταρία.

ΠΡΟΕΙΔΟΠΟΙΗΣΗ! Για να αποτρέψετε τον κίνδυνο πυρκαγιάς λόγω βραχυκυκλώματος, τραυματισμούς ή ζημιές του προϊόντος, να μη βυθίζετε το εργαλείο, τον ανταλλακτικό συσσωρευτή ή τη συσκευή φόρτισης σε υγρά και να μην φροντίζετε, ώστε να μη διοχεύουν υγρά στις συσκευές και τους συσσωρευτές.

Διαβρωτικές ή αβιώσιμες υγρές ουσίες, όπως αλατόνερο, ορισμένες χημικές ουσίες και λευκαντικά ή προϊόντα που περιέχουν λευκαντικά, μπορεί να προκαλέσουν βραχυκύκλωμα.

Φορτίζετε τις ανταλλακτικές μπαταρίες του συστήματος M18 μόνο με φορτιστές του συστήματος M18. Μη φορτίζετε μπαταρίες από άλλα συστήματα.

Μην ανοίγετε τις ανταλλακτικές μπαταρίες και τους φορτιστές και χρησιμοποιείτε για αποθήκευση μόνο στεγνούς χώρους. Προστατεύετε τις ανταλλακτικές μπαταρίες και τους φορτιστές από την υγρασία.

Όθηση και έλξη

Η δύναμη αντίδρασης έχει πάντα αντίθετη κατεύθυνση προς την κατεύθυνση κίνησης της αλυσίδα. Κατά συνέπεια, ο χειριστής πρέπει να είναι έτοιμος να ελέγξει την τάση του μηχανήματος να έλκει προς τα μπροστά (μπροστινή κίνηση), όταν κόβει με την κάτω ακμή της μπάρας, και την τάση να ωθεί προς τα πίσω (προς το χειριστή), όταν κόβει κατά μήκος της επάνω ακμής.

Εμπλοκή του πριονιού στο σημείο κοπής

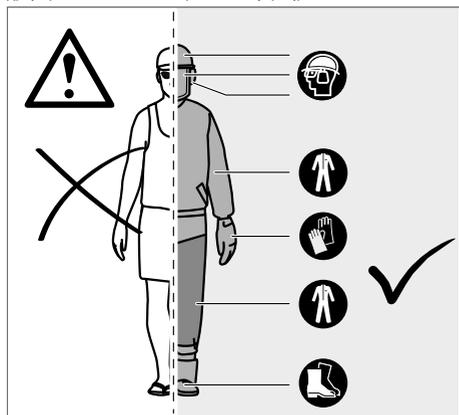
Απενεργοποιήστε το πριόνι κλαδέματος και ασφαλίστε το. Μην επιχειρήσετε να τραβήξετε την αλυσίδα και την μπάρα έξω από το σημείο κοπής ασκώντας δύναμη, καθώς η αλυσίδα μπορεί να σπάσει, να εκτραπεί προς τα πίσω και να χτυπήσει το χειριστή. Η κατάσταση αυτή συνήθως παρουσιάζεται όταν το ξύλο υποστηρίζεται λανθασμένα και αναγκάζει το σημείο κοπής να κλείσει λόγω συμπίεσης, εγκλωβίζοντας τη λεπίδα. Αν η προσαρμογή του υποστηρίγματος δεν απελευθερώσει την μπάρα και την αλυσίδα, χρησιμοποιήστε ξύλινες σφήνες ή ένα μοχλοβραχίονα για να ανοίξετε το σημείο κοπής και να απελευθερώσετε το πριόνι. Μην επιχειρήσετε ποτέ να εκκινήσετε το πριόνι κλαδέματος, όταν η μπάρα οδήγησης βρίσκεται ήδη μέσα σε ένα σημείο κοπής ή μια εγκοπή.

Ολισθήση / Αναπήδηση

Όταν το πριόνι κλαδέματος αποτυγχάνει να σκάψει μέσα στο υλικό κατά τη διάρκεια μιας κοπής, η μπάρα οδήγησης μπορεί να αρχίσει να αναπηδά ή να ολισθαίνει επικίνδυνα κατά μήκος της επιφάνειας του κούτσουρου ή του κλαδιού, καταλήγοντας πιθανώς σε απώλεια ελέγχου του πριονιού κλαδέματος. Για να αποτρέψετε ή να μειώσετε την ολισθήση ή την αναπήδηση, χρησιμοποιείτε πάντα το πριόνι με τα δύο χέρια ώστε να διασφαλίζετε ότι η αλυσίδα πριονίσματος δημιουργεί μια εσοχή για την κοπή. Μην κόβετε ποτέ με το πριόνι κλαδέματος μικρά, ευέλικτα κλαδιά ή θάμνους. Το μέγεθος και η ευελιξία τους μπορούν εύκολα να προκαλέσουν την αναπήδηση του πριονιού προς το μέρος σας ή να τυλιχτούν με επαρκή δύναμη που να προκαλέσει ανάδραση. Το καλύτερο εργαλείο για την εργασία αυτή είναι ένα πριόνι χεριού, μια κλαδευτική ψαλίδα, ένα τσεκούρι ή κάποιο άλλο εργαλείο χεριού.

Εξοπλισμός ατομικής προστασίας

Φοράτε πάντα κράνος όταν λειτουργείτε το μηχάνημα. Ένα κράνος εξοπλισμένο με προσωπίδα με πλέγμα μπορεί να βοηθήσει στη μείωση του κινδύνου τραυματισμού στο πρόσωπο και το κεφάλι, σε περίπτωση ανάδρασης. Φοράτε προστασία ακοής (ωτασπίδες)! Ο καλός εξοπλισμός ατομικής προστασίας, όπως χρησιμοποιείται από επαγγελματίες, θα μειώσει τον κίνδυνο τραυματισμού του χειριστή. Κατά τη λειτουργία του μηχανήματος θα πρέπει να χρησιμοποιούνται τα παρακάτω εξαρτήματα:



Κράνος ασφαλείας

θα πρέπει να συμμορφώνεται με το πρότυπο EN 397 και να φέρει σήμανση CE

Προστατευτικά ακοής

θα πρέπει να συμμορφώνονται με το πρότυπο EN 352-1 και να φέρουν σήμανση CE

Προστατευτικά ματιών και προσώπου

θα πρέπει να φέρουν σήμανση CE και να συμμορφώνονται με το πρότυπο EN 166 (για γυαλιά ασφαλείας) ή με το πρότυπο EN 1731 (για προσωπίδες με πλέγμα)

Γάντια

θα πρέπει να συμμορφώνονται με το πρότυπο EN381-7 και να φέρουν σήμανση CE

Προστατευτικά κνημών (περισκελίδες)

θα πρέπει να συμμορφώνονται με το πρότυπο EN 381-5, να φέρουν σήμανση CE και να προσφέρουν περιμετρική προστασία θα πρέπει να συμμορφώνονται με το πρότυπο EN 381-5, να φέρουν σήμανση CE και να προσφέρουν περιμετρική προστασία

ΜΠΟΤΕΣ ασφαλείας για εργασία με πριόνι κλαδέματος

θα πρέπει να συμμορφώνονται με το πρότυπο EN ISO 20345:2004 και να φέρουν σήμανση που να απεικονίζει ένα πριόνι κλαδέματος ως ένδειξη συμμόρφωσης με το πρότυπο EN 381-3. (Οι περιστασιακοί χρήστες μπορούν να χρησιμοποιούν μπότες ασφαλείας με χαλύβδινα προστατευτικά των δακτύλων και προστατευτικές περικνημίδες, οι οποίες συμμορφώνονται με το πρότυπο EN 381-9, αν το έδαφος είναι επίπεδο και ο κίνδυνος παραπατήματος ή εμπλοκής στη χαμηλή βλάστηση είναι μικρός)

Μπουφάν εργασιών με πριόνι κλαδέματος για προστασία του επάνω μέρους του σώματος

θα πρέπει να συμμορφώνεται με το πρότυπο EN 381-11 και να φέρει σήμανση CE

ΓΝΩΡΙΣΤΕ ΤΟ ΠΡΙΟΝΙ ΚΛΑΔΕΜΑΤΟΣ ΣΑΣ

- | | | | |
|-----------|-------------------------------------|-----------|-----------------------------------|
| 1 | Μπροστινή λαβή | 11 | Οδοντωτός αναστολέας |
| 2 | Προφυλακτικής μπροστινού χεριού | 12 | Αλυσίδα πριονίσματος |
| 3 | Συσκευή με λειτουργία κλειδώματος | 13 | Μπάρα οδήγησης |
| 4 | Διακόπτης ισχύος τηλεχειριστήριου | 14 | Αυλάκωση μπάρας |
| 5 | Πίσω λαβή | 15 | Οδηγός αλυσίδας |
| 6 | Πώμα ρεζερβουάρ λιπαντικού αλυσίδας | 16 | Κάλυμμα οδοντωτού τροχού οδήγησης |
| 7 | Δεξαμενή λαδιού αλυσίδας | 17 | Βίδα τετνώματος αλυσίδας |
| 8 | Προφυλακτικής πίσω χεριού | 18 | παξιμάδι στερέωσης μπάρας |
| 9 | Σύνθετο κλειδί | 19 | Κάλυμμα μπάρας οδήγησης |
| 10 | ΜΠΑΤΑΡΙΑ | | |

ΠΡΟΕΙΔΟΠΟΙΗΣΗ!

Η ακατάλληλη συντήρηση, η αφαίρεση ή η τροποποίηση εξαρτημάτων ασφαλείας, ο διακόπτης ανάφλεξης, ο προφυλακτικής χεριού (μπροστινός και πίσω), ο οδοντωτός αναστολέας, η ασφάλεια συγκράτησης αλυσίδας, η μπάρα οδήγησης και η αλυσίδα πριονίσματος χαμηλής ανάδρασης, μπορεί να έχει ως συνέπεια τη λανθασμένη λειτουργία των εξαρτημάτων ασφαλείας, αυξάνοντας τον κίνδυνο σοβαρών τραυματισμών.

Οδοντωτός αναστολέας

Τα ενσωματωμένα δόντια αναστολής μπορούν να χρησιμοποιούνται ως στήριγμα κατά τη διάρκεια μιας κοπής. Βοηθούν στη στήριξη του πριονιού κλαδέματος ενώ κόβετε. Όταν χρησιμοποιείτε μια κοπή, ωθήστε το μηχάνημα προς τα μπροστά μέχρι τα δόντια να εισχωρήσουν μέσα στο άκρο του ξύλου. Κινώντας, στη συνέχεια, την πίσω λαβή προς τα πάνω ή προς τα κάτω στην κατεύθυνση της γραμμής κοπής, μπορείτε να μειώσετε τη φυσική καταπόνηση της κοπής.

Μπάρα οδήγησης

Γενικά, οι μπάρες οδήγησης με μικρότερη ακτίνα άκρου έχουν σχετικά μικρότερη πιθανότητα ανάδρασης. Θα πρέπει να χρησιμοποιείτε μια μπάρα οδήγησης και μια αντίστοιχη αλυσίδα που να έχει το ακριβές μήκος που απαιτείται για την εργασία. Μπάρες με μεγαλύτερο μήκος αυξάνουν τον κίνδυνο απώλειας του ελέγχου κατά τη διάρκεια του πριονίσματος. Ελέγχετε τακτικά την τάση της αλυσίδας. Όταν κόβετε μικρότερα κλαδιά (μικρότερα από το πλήρες μήκος της μπάρας οδήγησης) και η τάση δεν είναι σωστή, η αλυσίδα είναι περισσότερο πιθανό να εκτραπεί.

ΟΔΗΓΗΣΤΕ ΣΧΕΤΙΚΑ ΜΕ ΤΙΣ ΣΩΣΤΕΣ ΤΕΧΝΙΚΕΣ ΓΙΑ ΤΗ ΒΑΣΙΚΗ ΥΛΟΤΟΜΗΝΗ, ΑΠΟΚΛΑΔΩΣΗ ΚΑΙ ΕΓΓΚΑΡΣΙΑ ΤΟΜΗ

Κατανόηση των δυνάμεων εντός του δέντρου

Όταν κατανοήσετε τις διευθύνσεις των πιέσεων και τάσεων μέσα στο ξύλο, θα μπορείτε να μειώσετε τους «εγκλωβισμούς» ή τουλάχιστον να τους αναμένετε κατά τη διάρκεια της κοπής. Τάση στο ξύλο σημαίνει ότι οι ίνες αποσυνδέονται, αν κόψετε στην περιοχή αυτή, η «εγκοπή» ή το σημείο κοπής θα τείνει να ανοίξει, καθώς το πριόνι προχωράει προς τα μέσα. Αν ένα κούτσουρο υποστηρίζεται με ένα καρβέλι και το άκρο πέρα από το τέρμα του καρβελιού κρέμεται χωρίς υποστήριξη, δημιουργείται τάση στην επάνω επιφάνεια λόγω του βάρους του αιωρούμενου κούτσουρου, το οποίο τεντώνει τις ίνες. Αντίστοιχα, η κάτω πλευρά του κούτσουρου συμπιέζεται και οι ίνες ωθούνται η μία προς την άλλη. Αν πραγματοποιηθεί κοπή στην περιοχή αυτή, η εγκοπή θα έχει την τάση να κλείνει κατά τη διάρκεια της κοπής. Αυτό εγκλωβίζει τη λεπίδα.

Αποκλάδωση δέντρου

Η αποκλάδωση είναι η αφαίρεση των κλαδιών ενός υλοτομημένου δέντρου. Όταν αποκλάδωνετε, αφήνετε τα μεγαλύτερα χαμηλότερα κλαδιά να υποστηρίζουν το κούτσουρο πάνω από το έδαφος. Αφαιρέτε τα μικρά κλαδιά με μια κοπή. Κλαδιά υπό τάση θα πρέπει να κόβονται από κάτω προς τα πάνω για να αποφύγετε το μπλοκάρισμα της αλυσίδας πριονίσματος.

Κοπή ξύλων υπό τάση

Ξύλο υπό τάση είναι οποιοδήποτε κούτσουρο, κλαδί, πρέμνο με ριζές ή δενδρόλλιο το οποίο έχει καμφθεί υπό τάση από άλλα ξύλα έτσι ώστε να επανέλθει στην κάθετη θέση του, αν τα ξύλα που το συγκρατούν κοπούν ή αφαιρεθούν.

Σε ένα πεσμένο δέντρο, το πρέμνο με ριζές είναι πολύ πιθανό να επανέλθει στην κάθετη θέση του κατά τη διάρκεια της κοπής τεμαχισμού για το διαχωρισμό του κορμού από το πρέμνο. Προσέχετε τα ξύλα υπό τάση, γιατί είναι επικίνδυνα.

ΠΡΟΕΙΔΟΠΟΙΗΣΗ! Τα ξύλα υπό τάση είναι επικίνδυνα και μπορεί να χτυπήσουν το χειριστή έτσι ώστε ο χειριστής να χάσει τον έλεγχο του πριονιού κλαδέματος. Αυτό θα μπορούσε να προκαλέσει σοβαρό ή θανάσιμο τραυματισμό του χειριστή. Η εργασία αυτή θα πρέπει να εκτελείται από εκπαιδευμένους χρήστες.

ΧΡΗΣΗ ΣΥΜΦΩΝΑ ΜΕ ΤΟ ΣΚΟΠΟ ΠΡΟΟΡΙΣΜΟΥ

Το πριόνι κλαδέματος μπαταρίας προορίζεται για χρήση μόνο σε εξωτερικούς χώρους.

Για λόγους ασφαλείας, το πριόνι κλαδέματος πρέπει να βρίσκεται υπό επαρκή έλεγχο, χρησιμοποιώντας πάντα τα δύο χέρια κατά τη διάρκεια της λειτουργίας.

Το πριόνι κλαδέματος είναι σχεδιασμένο για την κοπή κλαδιών, κορμών, κούτσουρων και δοκών με διάμετρο που εξαρτάται από το μήκος κοπής της μπάρας οδήγησης. Είναι σχεδιασμένο μόνο για την κοπή ξύλου. Πρέπει να χρησιμοποιείται μόνο από ενήλικες που έχουν λάβει επαρκή εκπαίδευση για τους κινδύνους και τα αποτρεπτικά μέτρα/ενέργειες που πρέπει να λαμβάνονται κατά τη διάρκεια χρήσης του πριονιού κλαδέματος.

Μη χρησιμοποιείτε το πριόνι κλαδέματος για οποιονδήποτε σκοπό άλλο από τους προβλεπόμενους. Το πριόνι κλαδέματος δεν πρέπει να χρησιμοποιείται σε επαγγελματικές υπηρεσίες κοπής δέντρων. Το πριόνι κλαδέματος δεν πρέπει να χρησιμοποιείται από παιδιά ή άτομα που δεν φορούν επαρκή εξοπλισμό και ρουχισμό ατομικής προστασίας.

ΠΡΟΕΙΔΟΠΟΙΗΣΗ! Όταν χρησιμοποιείτε το πριόνι κλαδέματος, πρέπει να τηρείτε τους κανονισμούς ασφαλείας. Για τη δική σας ασφάλεια και την ασφάλεια των παρευρισκομένων, πρέπει να διαβάσετε και να

κατανοήσετε πλήρως τις οδηγίες αυτές πριν λειτουργήσετε το πριόνι κλαδέματος. Θα πρέπει να παρακολουθήσετε ένα επαγγελματικό σεμινάριο ασφαλείας για τη χρήση, τις αποτρεπτικές ενέργειες, τις πρώτες βοήθειες και τη συντήρηση πριονιών κλαδέματος. Φυλάξτε τις οδηγίες αυτές ασφαλείς για μετέπειτα χρήση.

ΠΡΟΕΙΔΟΠΟΙΗΣΗ! Τα πριόνια κλαδέματος είναι επικίνδυνα εργαλεία. Ατυχήματα που προκαλούνται από τη χρήση πριονιών κλαδέματος, καταλήγουν συχνά σε ακρωτηριασμούς ή θάνατο. Δεν είναι απλώς η αλυσίδα πριονίσματος που είναι επικίνδυνη. Κλαδιά και δέντρα που πέφτουν και κούτσουρα που κυλούν, μπορούν να σκοτώσουν. Ύληια που φέρει ασθένειες ή έχει οσπίσει, μπορεί να επιφέρει επιπλέον κινδύνους. Θα πρέπει να εκτιμάτε την ικανότητά σας να ολοκληρώσετε την εργασία με ασφάλεια. Αν έχετε οποιαδήποτε αμφιβολία, αφήστε να εκτελέσει την εργασία ένας επαγγελματίας υλοτόμος.

Αυτή η συσκευή επιτρέπει να χρησιμοποιηθεί μόνο σύμφωνα με τον αναφερόμενο σκοπό προορισμού.

ΛΟΙΠΟΙ ΚΙΝΔΥΝΟΙ

Ακόμα και σε περίπτωση ορθής χρήσης του προϊόντος δεν μπορούν να αποκλειστούν λοιποί κίνδυνοι. Κατά τη χρήση μπορούν να παρουσιαστούν οι ακόλουθοι κίνδυνοι, οι αυτών τον λόγο ο χειριστής πρέπει να προσέξει τα παρακάτω:

- Τραυματισμός εξαιτίας δόνησης
Χρησιμοποιείτε πάντα το σωστό εργαλείο για την εργασία. Χρησιμοποιείτε προδιαγραφόμενες λαβές. Περιορίζετε το χρόνο εργασίας και την έκθεση.
- Ακουστικό τραύμα εξαιτίας της έκθεσης στον ήχο
Φοράτε προστατευτικά ακοής και περιορίζετε την έκθεση.
- Τραυματισμός από την επαφή με εκτεθειμένα δόντια πριονίσματος της αλυσίδας
- Τραυματισμός από εκτοξευόμενα κομμάτια του υλικού προς επεξεργασία (ροκανίδια ξύλου, σχίζες)
- Τραυματισμός εξαιτίας σκόνης και σωματιδίων
- Τραυματισμός του δέρματος εξαιτίας επαφής με λιπαντικά
- Εκτοξευόμενα εξαρτήματα από την αλυσίδα πριονίσματος (κίνδυνοι κοπής/διήθησης)
- Μη αναμενόμενη, ξαφνική κίνηση ή ανάδραση της μπάρας οδήγησης (κίνδυνοι κοπής)»

ΜΕΙΩΣΗ ΚΙΝΔΥΝΟΥ

- Έχει διαπιστωθεί ότι οι δονήσεις από εργαλεία χειρός μπορεί σε ορισμένα άτομα να συνεισφέρουν στην πρόκληση μιας ασθένειας που ονομάζεται σύνδρομο του Raynaud. Τα συμπτώματα μπορεί να περιλαμβάνουν μυρμηγκίσμα, μούδιασμα και λεύκανση των δακτύλων, τα οποία συνήθως εμφανίζονται κατά την έκθεση στο κρύο. Κληρονομικοί παράγοντες, η έκθεση στο κρύο και στην υγρασία, η διατροφή, το κάπνισμα και οι εργασιακές πρακτικές θεωρούνται ότι συνεισφέρουν στην εμφάνιση των συμπτωμάτων αυτών. Υπάρχουν μέτρα, τα οποία μπορεί να λάβει ο χειριστής για να μειώσει πιθανώς τις επιπτώσεις της δόνησης:
- Διατηρείτε το σώμα σας ζεστό σε κρύο καιρό. Όταν λειτουργείτε τη μονάδα, φοράτε γάντια για να διατηρείτε τα χέρια και τους καρπούς σας ζεστούς.
- Μετά από κάθε περίοδο λειτουργίας, ασκηθείτε για να αυξήσετε την κυκλοφορία του αίματος.
- Κάνετε συχνά διαλείμματα από την εργασία. Περιορίστε την ημερήσια έκθεση.
- Τα προστατευτικά γάντια, που είναι διαθέσιμα από επαγγελματίες μεταπωλητές πριονιών κλαδέματος, είναι σχεδιασμένα ειδικά για χρήση με πριόνια κλαδέματος και παρέχουν προστασία, γερό κράτημα και μειωμένη επίδραση της δόνησης των λαβών. Τα γάντια αυτά θα πρέπει να συμμορφώνονται με το πρότυπο EN 381-7 και να φέρουν σήμανση CE.

Αν σας παρουσιαστούν οποιαδήποτε συμπτώματα αυτής της ασθένειας, διακόψτε τη χρήση του μηχανήματος και ζητήστε ιατρική βοήθεια.

ΠΡΟΕΙΔΟΠΟΙΗΣΗ! Μπορεί να προκληθούν ή να επιδεινωθούν τραυματισμοί από την παρατεταμένη χρήση ενός εργαλείου. Όταν χρησιμοποιείτε οποιοδήποτε εργαλείο για παρατεταμένες χρονικές περιόδους, βεβαιωθείτε ότι κάνετε τακτικά διαλείμματα.

ΥΠΟΔΕΙΞΕΙΣ ΓΙΑ ΕΠΑΝΑΦΟΡΤΙΖΟΜΕΝΕΣ ΜΠΑΤΑΡΙΕΣ ΙΟΝΤΩΝ ΛΙΘΙΟΥ

Χρήση επαναφορτιζόμενων μπαταριών ιόντων λιθίου

Επαναφορτίζετε τις ανταλλακτικές μπαταρίες που δεν έχουν χρησιμοποιηθεί για μεγαλύτερο χρονικό διάστημα πριν τη χρήση.

Μια θερμοκρασία πάνω από 50°C μειώνει την ισχύ της ανταλλακτικής μπαταρίας. Αποφύγετε τη θέρμανση για μεγαλύτερο χρονικό διάστημα από τον ήλιο ή τις συσκευές θέρμανσης.

Διατηρείτε τις επαφές σύνδεσης στο φορτιστή και στην ανταλλακτική μπαταρία καθαρές.

Για μια άριστη διάρκεια ζωής πρέπει μετά τη χρήση οι μπαταρίες να φορτιστούν πλήρως.

Για μια κατά το δυνατόν μεγάλη διάρκεια ζωής οι μπαταρίες μετά τη φόρτιση οφείλουν να αφαιρεθούν από το φορτιστή.

Για την αποθήκευση της μπαταρίας για διάστημα μεγαλύτερο των 30 ημερών:

Αποθηκεύετε το πακέτο μπαταρίας σε χώρο με θερμοκρασία μικρότερη από 27 °C και χωρίς υγρασία.

Αποθηκεύετε τη μπαταρία περ. στο 30%-50% της κατάστασης φόρτισης.

Κάθε 6 μήνες φορτίζετε εκ νέου τη μπαταρία.

Προστασία υπερφόρτισης επαναφορτιζόμενων μπαταριών ιόντων λιθίου

Σε υπερφόρτιση της μπαταρίας από πολύ υψηλή κατανάλωση ρεύματος, π. χ. από ακραίες υψηλές ροπές περιστροφής, μπλοκάρισμα του τρυπανιού, δονείται το ηλεκτρικό εργαλείο για 5 δευτερόλεπτα, αναβοσβήνει η ένδειξη φόρτισης και το ηλεκτρικό εργαλείο απενεργοποιείται αυτόματα.

Για μια νέα ενεργοποίηση, αφήνετε ελεύθερο το διακόπτη και στη συνέχεια ενεργοποιείτε εκ νέου. Κάτω από ακραίες καταπονήσεις θερμαίνεται πάρα πολύ η μπαταρία. Στην περίπτωση αυτή αναβοσβήνουν όλες οι λάμπες της ένδειξης φόρτισης μέχρι να έχει κρυώσει η μπαταρία. Μετά το σβήσιμο της ένδειξης φόρτισης μπορεί να συνεχιστεί η συνεργασία.

Μεταφορά των μπαταριών ιόντων λιθίου

Οι μπαταρίες ιόντων λιθίου υπόκεινται στις απαιτήσεις των νομικών διατάξεων για την μεταφορά επικινδύνων εμπορευμάτων.

Η μεταφορά τέτοιων μπαταριών πρέπει να πραγματοποιείται τηρώντας τους τοπικούς, εθνικούς και διεθνείς κανονισμούς και τις αντίστοιχες διατάξεις.

Επιτρέπεται η μεταφορά τέτοιων μπαταριών στο δρόμο χωρίς περαιτέρω απαιτήσεις.

Η εμπορική μεταφορά μπαταριών ιόντων λιθίου από εταιρείες μεταφορών υπόκειται στις απαιτήσεις των νομικών διατάξεων για την μεταφορά επικινδύνων εμπορευμάτων. Οι προτοιμασίες αποστολής και η μεταφορά πραγματοποιούνται αποκλειστικά από ειδικά εκπαιδευμένα πρόσωπα. Η συνολική διαδικασία συνοδεύεται από εξειδικευμένο προσωπικό.

Κατά τη μεταφορά μπαταριών ιόντων λιθίου πρέπει να προσέχετε τα εξής:

Φροντίζετε τα σημεία επαφών να είναι προστατευμένα και μονωμένα ώστε να αποφευχθούν βραχυκυκλώματα.

Προσέξτε το πακέτο μπαταριών να είναι σταθερό μέσα στη συσκευασία και να μη γλιστρά. Η μεταφορά μπαταριών που παρουσιάζουν φθορές ή διαρροές δεν επιτρέπεται. Για περισσότερες πληροφορίες απευθυνθείτε στην εταιρεία μετάφορων.

ΥΠΟΔΕΙΞΕΙΣ ΕΡΓΑΣΙΑΣ

ΣΥΝΑΡΜΟΛΟΓΗΣΗ

Συναρμολόγηση αλυσίδας πριονίσματος και μπάρας οδήγησης

▲ ΠΡΟΕΙΔΟΠΟΙΗΣΗ! Αν οποιαδήποτε εξαρτήματα έχουν υποστεί ζημιά ή απουσιάζουν, μη λειτουργήσετε το μηχάνημα μέχρι την αντικατάσταση των εξαρτημάτων. Η μη τήρηση της προειδοποίησης αυτής μπορεί να οδηγήσει σε σοβαρούς τραυματισμούς.

Βεβαιωθείτε ότι αφαιρέσατε την μπαταρία. Να φοράτε προστατευτικά γάντια!

1. Αφαιρέστε τα παξιμάδια στερέωσης της μπάρας χρησιμοποιώντας το σύνθετο κλειδί που παρέχεται.
2. Αφαιρέστε το κάλυμμα της αλυσίδας.
3. Περάστε την αλυσίδα πάνω στην μπάρα με τη σωστή κατεύθυνση και βεβαιωθείτε ότι οι συνδέτες των κοπτικών εξαρτημάτων είναι ευθυγραμμισμένοι με την αλκώωση της μπάρας.
4. Προσαρτήστε την μπάρα στο πριόνι κλαδέματος και περάστε την γύρω από τον οδοντωτό τροχό οδήγησης.
5. Αντικαταστήστε το κάλυμμα της αλυσίδας και τα παξιμάδια στερέωσης της μπάρας.
6. Σφίξτε τα παξιμάδια στερέωσης της μπάρας με το χέρι. Η μπάρα θα πρέπει να κινείται ελεύθερα για τη ρύθμιση της τάσης της αλυσίδας.
7. Ρυθμίστε την τάση της αλυσίδας. Ανατρέξτε στην ενότητα «Ρύθμιση της τάσης αλυσίδας».
8. Κρατήστε το άκρο της μπάρας οδήγησης προς τα πάνω και σφίξτε γερά τα παξιμάδια στερέωσης της μπάρας.

▲ ΠΡΟΕΙΔΟΠΟΙΗΣΗ! Η αλυσίδα πριονίσματος είναι αιχμηρή. Φοράτε πάντα προστατευτικά γάντια όταν εκτελείτε εργασίες συντήρησης στην αλυσίδα.

Ρύθμιση της τάσης αλυσίδας

Αφαιρέστε το πακέτο συσσωρευτών, πριν εκτελέσετε οποιαδήποτε εργασία στο πριόνι κλαδέματος.

Για να αυξήσετε την τάση της αλυσίδας, περιστρέψτε τη βίδα τετνώματος της αλυσίδας δεξιόστροφα και ελέγχετε την τάση της αλυσίδας συχνά. Για να μειώσετε την τάση της αλυσίδας, περιστρέψτε τη βίδα τετνώματος της αλυσίδας αριστερόστροφα και ελέγχετε την τάση της αλυσίδας συχνά.

Η τάση της αλυσίδας είναι σωστή όταν το διάκενο ανάμεσα στο κοπτικό εργαλείο στην αλυσίδα και την μπάρα είναι περίπου 6,8 mm. Τραβήξτε την αλυσίδα στο μέσο της κάτω πλευράς της μπάρας προς τα κάτω (μακριά από την μπάρα) και μετρήστε την απόσταση ανάμεσα στην μπάρα και τα κοπτικά εργαλεία της αλυσίδας. Σφίξτε τα παξιμάδια στήριξης της μπάρας περιστρέφοντας τα αριστερόστροφα.

Σημείωση: Μη ρυθμίζετε την τάση της αλυσίδας υπερβολικά υψηλά, καθώς η προελαύουσα τάση θα προκαλέσει υπερβολική φθορά, θα μειώσει τη διάρκεια ζωής της αλυσίδας και μπορεί να προκαλέσει ζημιά στην μπάρα. Νέες αλυσίδες μπορεί να επιμηκυνθούν και να χαλαρώσουν κατά την αρχική χρήση. Αφαιρείτε το πακέτο συσσωρευτών και ελέγχετε τακτικά την τάση της αλυσίδας κατά τη διάρκεια των πρώτων δύο ωρών χρήσης. Η θερμοκρασία της αλυσίδας αυξάνεται κατά τη διάρκεια της κανονικής λειτουργίας προκαλώντας επιμήκυνση της αλυσίδας. Ελέγχετε την τάση της αλυσίδας τακτικά και ρυθμίστε αν χρειάζεται. Αν μια αλυσίδα τετνωθεί ενώ είναι θερμή, μπορεί να γίνει υπερβολικά τετνωμένη όταν κρυώσει. Βεβαιωθείτε ότι η τάση της αλυσίδας είναι σωστά ρυθμισμένη όπως περιγράφεται στις οδηγίες αυτές.

Συμπλήρωση λαδιού λίπανσης αλυσίδας

▲ ΠΡΟΕΙΔΟΠΟΙΗΣΗ! Μην εργάζεστε ποτέ χωρίς λίπαντικό αλυσίδας. Αν η αλυσίδα πριονίσματος λειτουργεί χωρίς λίπαντικό, μπορεί να προκληθεί ζημιά στην μπάρα οδήγησης και την αλυσίδα πριονίσματος. Είναι πολύ σημαντικό να ελέγχετε τακτικά και πριν την έναρξη της χρήσης του πριονιού κλαδέματος τη στάθμη λαδιού στο δείκτη λαδιού. Διατηρείτε το ρεζερβουάρ περισσότερο από ¼ γεμάτο για να διασφαλίζετε ότι υπάρχει επαρκές λάδι για την εργασία.

Σημείωση: Συνιστάται να χρησιμοποιείτε λάδι αλυσίδας με φυτική βάση, όταν κλαδεύετε δέντρα. Τα ορυκτέλαια μπορεί να βλάψουν τα δέντρα. Μη χρησιμοποιείτε ποτέ αποβλήτα λαδιών, λάδι αυτοκινήτων ή πολύ παχυρέυστα λάδια. Μπορεί να προκαλέσουν ζημιά στο πριόνι κλαδέματος. Καθαρίστε την επιφάνεια γύρω από την τάπα λαδιού για την αποφυγή ρύπανσης.

1. Ξεβιδώστε και αφαιρέστε την τάπα από τη δεξαμενή λαδιού.
2. Μεταγγίστε το λάδι στη δεξαμενή λαδιού και παρακολουθήστε το δείκτη λαδιού.
3. Βάλτε την τάπα λαδιού πίσω στη θέση της και σφίξτε τη. Σκουπίστε τυχόν λάδι που έχει διαρρεύσει.

Πώς να κρατάτε το πριόνι κλαδέματος

Κρατάτε πάντα το πριόνι κλαδέματος με το δεξί χέρι από την πίσω λαβή και με το αριστερό χέρι από την μπροστινή λαβή. Κρατάτε και τις δύο λαβές με τους αντίχειρες και τα δάχτυλά σας να κυκλώνουν τις λαβές.

Ενεργοποίηση του πριονιού κλαδέματος

Πριν ενεργοποιήσετε το πριόνι κλαδέματος, θα πρέπει να εγκαταστήσετε το πακέτο συσσωρευτών στο πριόνι κλαδέματος.

Προστασία έναντι επανεργοποίησης

Το ηλεκτρικό εργαλείο διαθέτει μια προστασία έναντι επανεκκίνησης.

Αυτό αποτρέπει την αυτόματη θέση σε λειτουργία του ηλεκτρικού εργαλείου όταν ο διακόπτης βρίσκεται στη θέση ενεργοποίησης καιποθετηθεί το πακέτο συσσωρευτών και την επανεκκίνησή του μετά από μια απενεργοποίηση του πακέτου συσσωρευτών.

Αν η μπάρα οδήγησης βρίσκεται έξω από το ξύλο, απενεργοποιήστε το μηχάνημα και στη συνέχεια επανενεργοποιήστε το προκειμένου να συνεχίσετε την εργασία σας.

Αν η μπάρα οδήγησης βρίσκεται μέσα στο ξύλο, περιμένετε μέχρι η αλυσίδα πριονίσματος να ακινητοποιηθεί πλήρως. Βεβαιωθείτε ότι ο διακόπτης βρίσκεται στη θέση απενεργοποίησης. Αφαιρέστε το πακέτο συσσωρευτών από το μηχάνημα και την μπάρα οδήγησης από την τομή κοπής. Τοποθετήστε το πακέτο συσσωρευτών και στη συνέχεια επανενεργοποιήστε το μηχάνημα προκειμένου να συνεχίσετε την εργασία σας.

ΜΕΤΑΦΟΡΑ ΚΑΙ ΑΠΟΡΗΚΕΥΣΗ

Λιπαίνετε πάντα επαρκώς την αλυσίδα, όταν φυλάσσετε το εργαλείο, για την αποφυγή εμφάνισης ακουριάς. Αδειάζετε πάντα τη δεξαμενή λαδιού, όταν φυλάσσετε το εργαλείο, για την αποφυγή διαρροής.

Απενεργοποιήστε το μηχάνημα, αφαιρέστε την μπαταρία και αφήστε το να κρυώσει πριν το αποθηκεύσετε ή το μεταφέρετε.

Καθαρίστε όλα τα ξένα υλικά από το μηχάνημα. Αποθηκεύστε το μηχάνημα σε ένα ψυχρό, στεγνό και καλά αεριζόμενο χώρο στον οποίο δεν έχουν πρόσβαση παιδιά. Κρατήστε μακριά διαβρωτικά μέσα, όπως χημικά κήπου και χημικά διαλυτικά πάγου. Μην αποθηκεύετε σε εξωτερικούς χώρους.

Τοποθετήστε το κάλυμμα της μπάρας οδήγησης πριν αποθηκεύσετε ή μεταφέρετε το μηχάνημα.

Για μεταφορά με οχήματα, ασφαλίστε το μηχάνημα έναντι μετατόπισης ή πτώσης για την αποφυγή τραυματισμού ατόμων ή την πρόκληση ζημιών στο μηχάνημα.

ΣΥΝΤΗΡΗΣΗ ΚΑΙ ΚΑΘΑΡΙΣΜΟΣ

Καθαρίστε τη σκόνη και τα θραύσματα από τα ανοίγματα. Διατηρείτε τη λαβή καθαρή, στεγνή και χωρίς λάδια ή γρσα. Χρησιμοποιείτε μόνο ήπιου σαπούνι και ένα νωπαμένο πανί για να καθαρίσετε, καθώς ορισμένα προϊόντα καθαρισμού και διαλύτες είναι επιβλαβείς για πλαστικά και άλλα μονωμένα μέρη. Ορισμένα από αυτά περιλαμβάνουν βενζίνη, τερπενθόλαιο, αρωματικό βερνικιού, αρωματικό βαφής, χλωριωμένα διαλυτικά καθαρισμού, αμμωνία και οικιακά απορρυπαντικά που περιέχουν αμμωνία. Μη χρησιμοποιείτε ποτέ εύφλεκτους ή καύσιμους διαλύτες κοντά σε εργαλεία.

ΣΥΝΤΗΡΗΣΗ

▲ ΠΡΟΕΙΔΟΠΟΙΗΣΗ! Χρησιμοποιείτε μόνο αξεσουάρ Milwaukee και ανταλλακτικά Milwaukee. Αποτυχία να το ασφαλίσετε επαρκώς μπορεί να προκαλέσει πιθανούς τραυματισμούς, να έχει ως συνέπεια τη χαμηλή απόδοση του μηχανήματος και να αποτελέσει λόγο παύσης της ισχύος της εγγύησης.

Χρησιμοποιείτε μόνο αξεσουάρ Milwaukee και ανταλλακτικά Milwaukee. Εξαρτήματα, που η αλλαγή τους δεν περιγράφεται, αντικαθιστώνται σε μια τεχνική υποστήριξη της Milwaukee (βλέπε φυλλάδιο εγγύηση/ διευθύνσεις τεχνικής υποστήριξης).

▲ ΠΡΟΕΙΔΟΠΟΙΗΣΗ! Οι εργασίες σέρβις χρειάζονται πολύ μεγάλη προσοχή και εξειδικευμένες γνώσεις και θα πρέπει να πραγματοποιούνται μόνο από ειδικευμένο τεχνικό σέρβις. Για το σέρβις σας συνιστούμε να παραδώσετε το μηχάνημά σας στο κοντινότερο σημείο σέρβις MILWAUKEE για επίσκεψη. Για το σέρβις χρησιμοποιείτε μόνο ίδια ανταλλακτικά εξαρτήματα.

▲ ΠΡΟΕΙΔΟΠΟΙΗΣΗ! Αφαιρέστε την μπαταρία πριν τη ρύθμιση, τη συντήρηση ή τον καθαρισμό. Αν δεν την αφαιρέσετε, μπορεί να προκληθούν σοβαροί τραυματισμοί. Μπορείτε να πραγματοποιήσετε μόνο τις ρυθμίσεις ή επισκευές που περιγράφονται σε αυτό το εγχειρίδιο. Για όλες τις επισκευές, επικοινωνήστε με το εξουσιοδοτημένο σημείο σέρβις.

Η ακατάλληλη συντήρηση μπορεί να έχει ως συνέπεια τη λανθασμένη λειτουργία του φρένου της αλυσίδας και άλλων εξαρτημάτων ασφαλείας, αυξάνοντας τον κίνδυνο σοβαρών τραυματισμών.

Συντηρείτε και ασφαλίστε το πριόνι κλαδέματος σας με επαγγελματικό τρόπο. • Το τρόχιγμα της αλυσίδας με ασφάλεια είναι μια εξειδικευμένη εργασία. Κατά συνέπεια, ο κατασκευαστής συνιστά με έμφαση ότι μια φθαρμένη ή στομωμένη αλυσίδα πρέπει να αντικαθίσταται με μια καινούρια, την οποία μπορείτε να προμηθευτείτε από το σημείο σέρβις MILWAUKEE της περιοχής σας. Ο κωδικός ανταλλακτικού εξαρτήματος αναφέρεται στον πίνακα προδιαγραφών προϊόντος σε αυτόν τον πίνακα.

Τηρείτε τις οδηγίες για τη λίπανση, τον έλεγχο και τη ρύθμιση της τάσης της αλυσίδας.

Μετά τη χρήση, καθαρίζετε το μηχάνημα με ένα μαλακό, στεγνό πανί.

Αφαιρείτε τυχόν ροκανίδια, ακαθαρσίες και θραύσματα από την περιοχή της μπαταρίας.

Ελέγχετε ως προς την ασφάλειά τους όλα τα παξιμάδια, τα μπουλόνια και τις βίδες σε τακτικά χρονικά διαστήματα προκειμένου να διασφαλίζετε ότι το μηχάνημα βρίσκεται σε ασφαλή κατάσταση λειτουργίας. Οποιαδήποτε εξαρτήματα που έχουν υποστεί ζημιά, θα πρέπει να επιδιορθώνονται ή να αντικαθίστανται κατάλληλα από ένα σημείο σέρβις MILWAUKEE.

Αφαίρεση της μπάρας οδήγησης και της αλυσίδας πριονίσματος

Φοράτε προστατευτικά γάντια.

1. Αφαιρέστε το πακέτο συσσωρευτών
2. Αφαιρέστε το κάλυμμα της μπάρας οδήγησης
3. Αφαιρέστε τα παξιμάδια στερέωσης της μπάρας χρησιμοποιώντας το σύνθετο κλειδί που παρέχεται.
4. Αφαιρέστε το κάλυμμα της αλυσίδας.
5. Μειώστε την τάση της αλυσίδας του πριονιού. Βλέπε την ενότητα «Ρύθμιση της τάσης της αλυσίδας».
6. Αφαιρέστε την πλάια αλυσίδα με την μπάρα οδήγησης
7. Περάστε την καινούρια αλυσίδα πάνω στην μπάρα με τη σωστή κατεύθυνση και βεβαιωθείτε ότι οι συνδέτες των κοπτικών εξαρτημάτων είναι ευθυγραμμισμένοι με την αλκώωση της μπάρας.
8. Προσαρτήστε την μπάρα στο πριόνι κλαδέματος και περάστε την γύρω από τον οδοντωτό τροχό οδήγησης.
9. Επανατοποθετήστε το κάλυμμα του κινητήριου γραναζιού και το παξιμάδι στερέωσης της ράβδου.
10. Σφίξτε με το χέρι το παξιμάδι στερέωσης της ράβδου.
11. Η ράβδος πρέπει να κινείται ελεύθερα για τη ρύθμιση της τάσης της αλυσίδας.
12. Ρυθμίστε την τάση της αλυσίδας. Ανατρέξτε στην ενότητα «Ρύθμιση της τάσης αλυσίδας».
13. Κρατήστε το άκρο της μπάρας οδήγησης προς τα πάνω και σφίξτε γερά τα παξιμάδια στερέωσης της μπάρας.

▲ ΠΡΟΕΙΔΟΠΟΙΗΣΗ! Μια στομωμένη ή ακατάλληλα τροχισμένη αλυσίδα μπορεί να προκαλέσει υπερβολική ταχύτητα κίνησης κατά τη διάρκεια της κοπής και να προκαλέσει σοβαρή ζημιά στον κινητήρα.

▲ ΠΡΟΕΙΔΟΠΟΙΗΣΗ! Ακατάλληλο τρόχιγμα της αλυσίδας αυξάνει την πιθανότητα ανάδρασης.

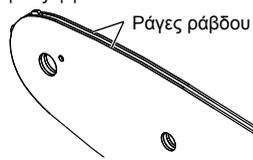
▲ ΠΡΟΕΙΔΟΠΟΙΗΣΗ! Η μη αντικατάσταση ή επισκευή μιας αλυσίδας που έχει υποστεί ζημιά, μπορεί να προκαλέσει σοβαρούς τραυματισμούς.

▲ ΠΡΟΕΙΔΟΠΟΙΗΣΗ! Η αλυσίδα πριονίσματος είναι

αιχμηρή. Φοράτε πάντα προστατευτικά γάντια όταν εκτελείτε εργασίες συντήρησης στην αλυσίδα.

Συντήρηση ράβδου-οδηγού

Όταν η ράβδος-οδηγός εμφανίζει σημάδια φθοράς, γυρίστε τη ράβδο-οδηγό από κάτω προς τα πάνω στο πριόνι προκειμένου να κατανεμίσετε τη φθορά και να επεκτείνετε τη διάρκεια ζωής της ράβδου. Η ράβδος θα πρέπει να καθαρίζεται κάθε μέρα χρήσης και να ελέγχεται για φθορά και ζημιές. Επιφανειακές αλλοιώσεις ή η εκτράχυνση της ράβδου είναι σημάδια φυσιολογικής φθοράς λόγω χρήσης. Τέτοια σφάλματα θα πρέπει να εξομαλύνονται με μια λίμα μόλις εμφανιστούν.



Μια ράβδος με οποιοδήποτε από τα παρακάτω σφάλματα πρέπει να αντικαθίσταται.

- Φθορά στο εσωτερικό των ραγών της ράβδου που επιτρέπουν στην αλυσίδα να απλώνεται στο πλάι.
- Λυγισμένη ράβδος-οδηγός.
- Ραγισμένες ή σπασμένες ράγες.
- Αποκλίνοσες ράγες.

Λιπαίνετε τις ράβδους-οδηγούς με έναν οδοντωτό τροχό στην άκρη τους κάθε εβδομάδα χρησιμοποιώντας μια σύριγγα λίπανσης, λιπαίνετε κάθε εβδομάδα στην οπή λίπανσης. Περιστρέψτε τη ράβδο-οδηγό και ελέγξτε ότι οι οπές λίπανσης και οι ράγες της ράβδου είναι απαλλαγμένες από ακαθαρσίες.

Πρόγραμμα συντήρησης

Καθημερινός έλεγχος	Πριν από κάθε χρήση
Λίπανση μπάρας	Πριν από κάθε χρήση και τακτικά
Τάση αλυσίδας	Πριν από κάθε χρήση και τακτικά
Αιχμηρότητα αλυσίδας	Πριν από κάθε χρήση, οπτικός έλεγχος
Για εξαρτήματα που έχουν υποστεί ζημιά	Πριν από κάθε χρήση
Για χαλαρά στοιχεία σύσφιξης	Πριν από κάθε χρήση
Μπάρα οδήγησης	Πριν από κάθε χρήση
Πλήρες πριόνι	Μετά από κάθε χρήση

Ανταλλακτικά εξαρτήματα (Μπάρα και αλυσίδα)

Κατασκευαστής	MILWAUKEE	OREGON
Αλυσίδα	4932 4801 76	90F033XTR
Μπάρα οδήγησης	4932 4801 69	360804

Πρέπει να τοποθετείτε αλυσίδα με μπάρα του ίδιου κατασκευαστή σύμφωνα με τους παραπάνω συνδυασμούς.

Διευρυμένη εικόνα

Όταν χρειάζεται, μπορείτε να ζητήσετε ένα σχέδιο συναρμολόγησης της συσκευής, δίνοντας τον τύπο της μηχανής και αριθμό στην πινακίδα ισχύος, από το κέντρο σέρβις ή απευθείας από τη φίρμα Techtronic Industries GmbH, Max-Eyth-Straße 10, 71364 Winnenden, Germany.

ΣΥΜΒΟΛΑ

	Παρακαλώ διαβάστε σχολαστικά τις οδηγίες χρήσης πριν από την έναρξη λειτουργίας.
	ΠΡΟΣΟΧΗ! ΠΡΟΕΙΔΟΠΟΙΗΣΗ! ΚΙΝΔΥΝΟΣ!
	Πριν από κάθε εργασία στη μηχανή αφαιρείτε την ανταλλακτική μπαταρία.
	Η μηχανή να μην εκτίθεται σε βροχή.
	Μην το χρησιμοποιείτε με το ένα χέρι
	Χρησιμοποιείτε το πριόνι κλαδέματος πάντα με τα δύο χέρια
	Φοράτε υποδήματα ασφαλείας με προστασία κοπής, αντιστοίχητη σόλα και χαλύβδινα προστατευτικά των δακτύλων!
	Να φοράτε προστατευτικά γάντια!
	Φοράτε πάντα προστατευτικό ρουχισμό και ανθεκτικά υποδήματα.
	Φοράτε ένα προστατευτικό κράνος. Φοράτε προστασία ακοής (ωτασπίδες)! Χρησιμοποιείτε γυαλιά προστασίας.
	Προσέχετε την ανάδραση του πριονιού κλαδέματος και αποφεύγετε την επαφή με το άκρο της μπάρας
	Κατά τη διάρκεια της χρήσης κρατάτε τους παριστάμενους σε απόσταση τουλάχιστον 15 μέτρων.
	Ρεζερβουάρ λαδιού αλυσίδας
	Περιστρέψτε για να ρυθμίσετε την τάση αλυσίδας
	Κατεύθυνση κίνησης αλυσίδας
	Εξαρτήματα - Δεν περιλαμβάνονται στα υλικά παράδοσης, συνιστούμενη προσθήκη από το πρόγραμμα εξαρτημάτων.



Απόβλητα ηλεκτρικών στηλών και ηλεκτρικού και ηλεκτρονικού εξοπλισμού δεν επιτρέπεται να απορρίπτονται μαζί με τα οικιακά απορρίμματα. Απόβλητα ηλεκτρικών στηλών και ηλεκτρικού και ηλεκτρονικού εξοπλισμού πρέπει να συλλέγονται και να απορρίπτονται ξεχωριστά. Πριν την απόρριψη να αφαιρείτε ηλεκτρικές στήλες, συσσωρευτές και λαμπτήρες από τον εξοπλισμό. Ενημερωθείτε από τις τοπικές υπηρεσίες ή από ειδικευμένους εμπόρους σχετικά με κέντρα ανακύκλωσης και συλλογής απορριμμάτων. Ανάλογα με τους τοπικούς κανονισμούς μπορεί να είναι οι έμποροι λιανικής πώλησης υποχρεωμένοι, να παίρνουν πίσω απόβλητα ηλεκτρικών στηλών και ηλεκτρικού και ηλεκτρονικού εξοπλισμού δωρεάν. Συμβάλλετε κι εσείς μέσω επαναχρησιμοποίησης και ανακύκλωσης των αποβλήτων των ηλεκτρικών στηλών, και του ηλεκτρικού και ηλεκτρονικού εξοπλισμού σας στη μείωση της ζήτησης πρώτων υλών. Απόβλητα ηλεκτρικών στηλών (προπαντός ηλεκτρικών στηλών ιόντων λιθίου) και ηλεκτρικού και ηλεκτρονικού εξοπλισμού περιέχουν πολύτιμες, επαναχρησιμοποιήσιμες ύλες που μπορεί να βλάπτουν το περιβάλλον και την υγεία σας κατά τη μη περιβαλλοντικής ορθή διάθεσή τους. Πριν την απόρριψη να διαγράφετε δεδομένα προσωπικού χαρακτήρα που πιθανόν να υπάρχουν στα απόβλητα του εξοπλισμού σας.

	Εγγυημένη στάθμη ηχητικής ισχύος 79 dB(A)
v_0	Ταχύτητα αλυσίδας χωρίς φορτίο
v	Τάση
	Συνεχές ρεύμα
	Ευρωπαϊκό σήμα πιστότητας
	Βρετανικό σήμα πιστότητας
	Ουκρανικό σήμα πιστότητας
	Ευρασιατικό σήμα πιστότητας

TEKNİK VERİLER	M18 FHS20
Modeli	budama testeresi
Üretim numarası	4916 50 01 XXXXXX MJJJJ
Kartuş akü gerilimi	18 V ==
Yüksüz zincir hızı	4,8 m/s
Pala uzunluğu Maks.	8" / 200 mm
Kullanılabilir kesme uzunluğu	7,4" / 189 mm
Zincir yağ deposu kapasitesi	77 ml
Ağırlığı ise EPTA-üretici 01/2014'e göre 01/2014 (Li-Ion 2.0 Ah .. 12.0 Ah)	2,8 kg 3,9 kg
Çalıştırılması için tavsiye edilen ortam sıcaklığı	-18 ... +50 °
Tavsiye edilen güç paketleri	M18B...; M18HB...
Tavsiye edilen şarj aletleri	M12-18...; M1418C6
Gürültü bilgileri: Ölçüm değerleri EN 62841 e göre belirlenmektedir. Aletin, frekansa bağımlı uluslararası ses basıncı seviyesi değerlendirme eğrisi A'ya göre tipik gürültü seviyesi:	
Ses basıncı seviyesi / Tolerans K=	81 dB (A) / 3 dB (A)
Akustik kapasite seviyesi / Tolerans K=	89 dB (A) / 3 dB (A)
Koruyucu kulaklık kullanın!	
Vibrasyon bilgileri: Toplam titreşim değeri (üç yönün vektör toplamı) EN 62841'e göre belirlenmektedir:	
titreşim emisyon değeri a _h / Tolerans K=	4,9 m/s ² / 1,5 m/s ²

UYARI!

Bu bilgi formunda belirtilen titreşim ve gürültü düzeyi EN 62841 uyarınca standart bir test yöntemine göre ölçülmüş olup, bir aleti diğerleriyle karşılaştırmak için kullanılabilir. Bir maruz kalma ön değerlendirmesi için de kullanılabilir.

Beyan edilmiş titreşim ve gürültü emisyon değeri aletin ana uygulamaları temsil eder. Ancak, alet farklı uygulamalar için veya farklı aksesuarla kullanılır ya da aletin bakımı yetersiz yapılırsa, titreşim ve gürültü emisyonu farklılık gösterebilir. Bu, toplam çalışma süresi boyunca maruz kalma seviyesini önemli ölçüde artırabilir.

Titreşim ve gürültüye maruz kalma seviyesi tahmininde, aletin kapalı olduğu veya çalıştığı, ancak aslında işini yapmadığı süreler de göz önünde bulundurulmalıdır. Bu, toplam çalışma süresi boyunca maruz kalma seviyesini önemli ölçüde azaltabilir.

Operatörü titreşim ve/veya gürültünün etkilerinden korumak için, aletin ve aksesuarların bakımını yapmak, elleri sıcak tutmak ve çalışma biçimlerini düzenlemek gibi ilave güvenlik önlemleri belirleyin.

Koruyucu kulaklık kullanın. Çalışırken çıkan gürültü işitme kayıplarına neden olabilir.

UYARI! Cihazla birlikte gelen tüm güvenlik uyarılarını, talimatları, çizimleri ve bilgileri okuyun. Aşağıdaki talimat hükümlerine uymadığınız takdirde elektrik çarpması, yangın veya ağır yaralanma tehlikesi ile karşılaşabilirsiniz. **Bütün uyarıları ve talimat hükümlerini ileride kullanmak üzere saklayın.**

GENEL BUDAMA TESTERESİ EMNİYET UYARILARI

a) Budama testeresi çalışırken vücudun tüm parçalarını testere zincirinden uzak tutun. Budama testeresi çalıştırmadan önce testere zincirinin hiçbir şeye temas etmediğinden emin olun. Budama testerelelerini kullanırken bir anlık dikkatsizlik, kıyafetinizin veya vücudunuzun testere zincirine dolaşmasına neden olabilir.

b) Budama testeresini daima sağ elinizle tutma koluna, sol eliniz de ön tutma koluna gelecek şekilde kavrayın. Budama testeresini tersine bir el konfigürasyonu ile tutmak kişisel yaralanma riskini artırır ve asla yapılmamalıdır.

c) Budama testeresini yalnızca yalıtımlı kavrama yüzeylerinden tutun, çünkü testere zinciri gizli kablolar ile temas edebilir. Elektrik geçen bir tele temas eden budama testeresi metal parçalarının elektrik yüklenmesine ve kullanıcının elektrikle çarpılmasına neden olabilir.

d) Koruyucu gözlük takın. Kulaklar, baş, eller, bacaklar ve ayaklar için daha fazla koruyucu ekipman tavsiye edilir. Yeterli koruyucu ekipman, uçan talaşın veya testere zinciri ile yanlışlıkla temas etmeden kaynaklı kişisel yaralanmaları azaltacaktır.

e) Bir budama testeresini bir ağaçta, merdivende, bir çatıda veya herhangi bir dengesiz destekle kullanmayın. Bir budama testeresinin bu şekilde kullanılması ciddi kişisel yaralanmalara neden olabilir.

f) Her zaman ayağınızı sağlam basın ve budama testeresini yalnızca sabit, güvenli ve düz bir yüzeyde dururken kullanın. Kaygan veya sabit olmayan yüzeyler denge ya da budama testeresinin kontrol kaybına neden olabilir.

g) Gergi altındaki bir dalı keserken geri tepmeye karşı dikkatli olun. Odun lifindeki gerginlik serbest kaldığında, yay yüklü dal kullanıcınıza çarpabilir ve/veya budama testeresinin kontrolünü kaybettirebilir.

h) Çalılıkları ve fidanları keserken çok dikkatli olun. İnce malzeme testere zincirini yakalayıp size doğru döndürebilir veya dengeyi kaybettirebilir.

i) Budama testeresini kapalı şekilde ön kolundan tutarak taşıyın ve vücudunuzdan uzak tutun. Budama testeresini taşırken ya da depolarken her zaman palanın kılıfını takılı tutun. Budama testeresinin uygun şekilde kullanılması hareket eden testere zinciriyle kazara temas ihtimalini azaltır.

j) Yağlama, zincir gerdirmeye, pala ve zincir değiştirme talimatlarına uyun. Hatalı gerdirilmiş veya yağlanmış zincir kırılabilir ya da geri tepme tehlikesini artırır.

k) Tutma kollarını kuru, temiz, yağdan ve gresten arındırılmış şekilde tutun. Gresli, yağlı tutma kolları kaygandır ve kontrol kaybına neden olabilir.

l) Yalnızca ahşap malzeme kesin. Budama testeresini amacının dışında kullanmayın. Örneğin: Budama testeresini metal, plastik, taş veya ahşap olmayan yapı malzemeleri kesmek için kullanmayın. Budama testeresinin amacının dışında işlerde kullanılması tehlikeli bir duruma neden olabilir.

Sıkışan malzemeyi temizlerken, budama testeresini depolarken veya servis yaparken tüm talimatlara uyun. Anahtarın kapalı ve akü kutusunu çıkarıldığında emin olun. Sıkışan malzemeyi temizlerken veya servis yaparken budama testeresinin beklenmedik şekilde çalışması ciddi kişisel yaralanmalara neden olabilir.

Geri tepmenin nedenleri ve kullanıcının korunması:

Geri tepme, palanın burnu veya ucu bir nesneye dokunduğunda ya da kesim esnasında ahşap içeri girip testere zincirini sıkıştırdığında meydana gelebilir.

Bazı durumlarda uç teması, palanın yukarı ve geriye kullanıcınıza

doğru tepmesiyle ani bir ters etkiye neden olabilir.

Testere zincirinin palanın üst kısmı boyunca sıkışması, palayı hızlı bir şekilde kullanıcınıza doğru itebilir.

Bu tepkilerin her biri, testerenin kontrolünü kaybetmenize ve ciddi kişisel yaralanmalara neden olabilir. Yalnızca testerenize yerleşik emniyet cihazlarına güvenmeyin.

Bir budama testeresi kullanıcısı olarak, kesme işlerinizi kaza veya yaralanma yaşamadan yapmak için pek çok adım atmalısınız. Geri tepme, budama testeresinin yanlış kullanımını ve/veya hatalı çalıştırma prosedürleri ya da koşullarının sonucudur ve aşağıda verilen uygun önlemler alınarak önlenmelidir.

a) Budama testeresinin tutma kollarını baş ve diğer parmaklardan çevreleyerek iki elinizle testerenin üzerinde sağlam bir tutuş sürdürün ve vücudunuzun ve kolunuzun geri tepme kuvvetlerine karşı direnmenizi sağlayacak şekilde konumlandırın. Geri tepme kuvvetleri, kullanıcı tarafından uygun önlemler alınır kontrol edilebilir. Budama testeresinin sizden ayrılmasına izin vermayın.

b) Omuz yüksekliğinden yukarısına ulaşmayın ve kesim yapmayın. Bu, istenmeyen uç temasını önlemeye yardımcı olur ve beklenmedik durumlarda budama testeresinin daha iyi kontrol edilmesini sağlar.

c) Sadece imalatçı tarafından belirtilen palaları ve zincirleri kullanın. Yanlış yedek palalar ve zincirler, zincirin kırılmasına ve/veya geri tepmeye neden olabilir.

d) Testere zinciri üreticisinin bileme ve bakım talimatlarına uyun. Derinlik yüksekliğini azaltmak, geri tepmeyi artırmaya neden olabilir.

EK GÜVENLİK VE ÇALIŞMA TALIMATLARI

Makineyi ilk kez çalıştırırken, kütükleri testere tezgahında veya beşiğinde kesmenizi önerilir.

Bağlama

Yalnızca enerji emici lanyardlarla bağlama. Tether'i yalnızca halat döngüsüne takın.

Bağlama ipini tutamağa, palaya veya alet üzerindeki başka bir noktaya bağlamayın.

Tüm muhafazalarını, tutma kollarının ve çivili tamponun doğru şekilde takıldığından ve iyi durumda olduğundan emin olun.

Budama testeresini kullanan kişiler sağlıklı olmalıdır. Budama testeresi ağırdır, bu nedenle kullanıcının fiziksel olarak formda olması gerekir.

Kullanıcı dikkatli, iyi görüş, hareket kabiliyeti, denge ve el becerisine sahip olmalıdır. Herhangi bir şüpheniz varsa, budama testeresini çalıştırmayın.

Budama testeresini açık bir çalışma alanına, güvenli temellere sahip olmadan ve düşen bir ağacın geri çekme yolunu planlayana kadar çalıştırmaya başlamayın. Yağlayıcı maddenin buharı ve testere tozunun emisyonuna dikkat edin. Gerekirse bir maske veya solunum aygıtı takın.

Asmaları ve / veya küçük çalıları kesmeyin.

Budama testeresini kullanın esnasında daima iki elinizle tutun. Budama testeresinin tutma kollarını baş parmak ve diğer parmaklarla birlikte sıkı şekilde tutun. Sağ el arka tutma kolunda, sol el ise ön tutma kolunda olmalıdır.

Budama testeresini çalıştırmadan önce testere zincirinin hiçbir şeye temas etmediğinden emin olun.

Budama testeresi üzerinde herhangi bir değişiklik yapmayın veya güçlendirmek için budama testerenize yönelik üretici tarafından önerilmeyen ek veya cihazlar kullanmayın.

Büyük yara pansuman malzemelerini içeren bir ilk yardım kiti ve kullanıcının yakındaki birisini çağırması için bir araç (örn. düdüğü) bulundurulmalıdır. Daha geniş kapsamlı bir kit makul yakınlıkta olmalıdır.

Hatalı gerdirilmiş bir zincir paladan ayrılabilir ve ciddi yaralanmaya veya ölüme neden olabilir. Zincirin uzunluğu sıcaklığa bağlıdır. Gerginliği sıklıkla kontrol edin.

Güvenli bir şekilde desteklenen ahşap üzerinde basit kesimler yaparak yeni budama testerenize alışmalısınız. Testereyi bir süre

kullanmadığınız zaman bu işlemi yapın. Hareketli parçalara temasla ilişkili yaralanma riskini azaltmak için aşağıdaki işlemleri yapmadan önce her zaman motoru her zaman durdurun, batarya kutusunu çıkarın ve hareketli tüm parçaların durduğundan emin olun:

- bir tıkanıklığın temizlenmesi veya giderilmesi
- makinenin gözetimsiz bırakılması
- ek parçaların takılması veya sökülmesi
- makinin kontrol edilmesi, bakım yapılması veya üzerinde çalışılması

Çalışma alanının boyutu, yapılacak işlemlere bağlı olduğu gibi ağaç veya dahil edilen çalışma parçasının boyutuna da bağlıdır. Örneğin, bir ağacın kesilmesi, diğer kesim işlemlerinden, yani sehpa kesimleri vs. daha büyük bir çalışma alanı gerektirir. Kullanıcı, çalışma alanında gerçekleşen her şeyin farkında ve kontrolü altında olmalıdır.

Pala ve zincir vücudunuzla aynı çizgide olacak şekilde kesim yapmayın. Geri tepme yaşarsanız bu, zincirin başınız veya vücudunuza çarpmasını önlemeye yardımcı olacaktır.

Geri ve ileri doğru kesme hareketi uygulamayın, bırakın zincir işi kendisi yapın. Zinciri keskin tutun ve zinciri kesik boyunca itmeye kalkışmayın.

Kesim sonunda testerenin üzerinde baskı uygulamayın. Testerenin kesim sonu odundan ayrılacağı zamanki ağırlığını taşımaya hazır olun. Bu uyarıya uymamak ciddi muhtemel kişisel yaralanmalara neden olabilir.

Kesim işleminin ortasında testereyi durdurmayın.

Kesikten ayrılmaya hazır olana kadar testereyi çalıştırmaya devam ettirin. Aleti elle kullanırken açma/kapama şalterini kilitlemeyin.

Aletin kendinde bir çalışma yapmadan önce kartuş aküyü çıkarın.

UYARI! Bir kısa devreden kaynaklanan yangın, yaralanma veya ürün hasarları tehlikesini önlemek için aleti, güç paketini veya şarj cihazını asla sıvıların içine daldırmayınız ve cihazların ve pilin içine sıvı girmesini önleyin. Tuzlu su, belirli kimyasallar, ağartıcı madde veya ağartıcı madde içeren ürünler gibi korozif veya iletken sıvılar kısa devreye neden olabilir.

M18 sistemli kartuş aküleri sadece M18 sistemli şarj cihazları ile şarj edin. Başka sistemli aküleri şarj etmeyin.

Kartuş aküleri ve şarj cihazını açmayın ve sadece kuru yerlerde saklayın. Neme ve ıslanmaya karşı koruyun.

İtin ve çekin

Tepki kuvveti daima zincirin hareket ettiği yönün tersidir. Bu nedenle kullanıcı, palanın alt kenarından kesim yaparken çekip ayırmak (ileri hareket) ve üst kenarından kesim yaparken geriye doğru itmek (kullanıcıya doğru) için makinenin eğilimini kontrol etmeye hazır olmalıdır.

Kesim esnasında sıkışan testere

Budama testeresini durdurun ve güvenli duruma getirin. Zinciri ve palayı kesikten zorla çıkarmaya çalışmayın; aksi takdirde zincirin kılması ve savrulurak operatöre çarpması olabilir. Bu durum normalde, kesici baskı altında kapanmaya zorlayarak ve bıçağı sıkıştırarak ahşabın yanlış bir şekilde desteklenmesinden dolayı meydana gelir. Desteğin ayarlanması pala ve zinciri serbest bırakmazsa, kesiciyi açmak ve testereyi salmak için ahşap kamalar veya bir levye kullanın. Pala zaten bir kesik veya çentiğin içinde olduğunda budama testeresini çalıştırmaya kalkışmayın.

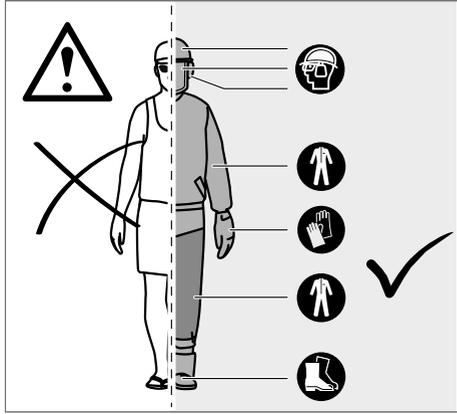
Kayma / Ziplama

budama testeresi testere bir kesim sırasında derine inmekte başarısız olursa, pala kütüğün veya dalın yüzeyinde sıçramaya veya tehlikeli bir şekilde kaymaya başlayabilir, bu da olasılıkla budama testeresi testere kontrolünün kaybedilmesine neden olabilir. Kaymayı veya sıçramayı önlemek ya da azaltmak için testereyi daima iki elle kullanın ve testere zincirinin kesim için bir oluk oluşturduğundan emin olun. budama testeresi testerenizle asla küçük, esnek dalları veya çalılıkları kesmeyin. Boyutları ve esneklikleri, testerenin size doğru sıçramasına veya geri tepmeye neden olacak kadar kuvvetle sarılmasına neden olabilir. Bu tür işler için en iyi araç el testeresi, budama makası, balta veya diğer el aletleridir.

Kişisel koruyucu ekipmanlar

Makineyi kullanırken her zaman bir kask takın. Örgülü siperlik ile donatılmış bir kask, geri tepme gerçekleşirse yüzün ve başın yaralanma riskini azaltmaya yardımcı olabilir. Koruyucu kulaklık kullanın!

Profesyoneller tarafından kullanılan kaliteli kişisel koruyucu ekipmanlar kullanıcının yaralanma riskini azaltacaktır. Makineyi çalıştırırken aşağıdaki öğeler kullanılmalıdır:



Koruyucu kask

EN 397'ye uyumlu ve CE işaretli olmalıdır

Kulak tıkacı

EN 352-1'e uyumlu ve CE işaretli olmalıdır

Göz ve yüz koruması

CE işaretli ve EN 166 (emniyet gözlükleri için) veya EN 1731 (örgülü siperlikler için) ile uyumlu olmalıdır

Eldivenler

EN381-7'ye uyumlu ve CE işaretli olmalıdır

Bacak koruması (çeps)

EN 381-5'e uyumlu, CE işaretli olmalı ve komple koruma sağlamalıdır EN 381-5'e uyumlu, CE işaretli olmalı ve komple koruma sağlamalıdır

Budama testeresi emniyet botları

EN ISO 20345:2004'e uyumlu ve EN 381-3'e uygunluğu göstermek üzere bir budama testeresi gösteren korumayla işaretlenmelidir. (Ara sıra kullanıcılar zemin düz ve çalılıklara yakalanma veya takılma riski azsa, EN 381-9'a uygun koruyucu tozluğa sahip çelik burunlu emniyet botları kullanılabilir)

Üst vücut koruması için budama testeresi ceketleri

EN 381-11'e uyumlu ve CE işaretli olmalıdır

BUDAMA TESTERENİZİ TANIYIN

1	Ön tutamak	11	Çivili tampon
2	Ön el muhafazası	12	Testere zinciri
3	Kapatma aleti	13	Pala
4	Güç anahtarı	14	Pala oluğu
5	Arka tutma kolu	15	Zincir tahriği
6	Zincir yağlama kapağı	16	Tahrik Dişlisi Kapağı
7	Zincir yağ tankı	17	Zincir gerdirme vidası
8	Arka el muhafazası	18	pala montaj somunu
9	Birleştirme anahtarı	19	Pala kılıfı
10	Akü		

⚠ UYARI!

Kontak anahtarını, el muhafazasını (ön ve arka), çivili tampon, zincir yakalayıcı, pala, düşük geri tepmeli testere zinciri gibi emniyet cihazlarının hatalı şekilde bakımını yapmaması, sökülmesi veya değiştirilmesinin sonuçları, güvenlik özelliklerinin doğru şekilde çalışmamasına neden olabilir ve böylece ciddi yaralanma olasılığı artar.

Çivili tampon

Bütünleşik tampon çivisi, kesim yaparken bir eksen olarak kullanılabilir. Kesim sırasında budama testeresi gövdesini sabit tutmaya yardımcı olur. Kesim yaparken, makineyi ahsabın kenarına girene kadar ileri itin, ardından arka tutma kolunu kesim hattı yönünde yukarı veya aşağı hareket ettirerek fiziksel zorlamayı azaltmaya yardımcı olabilirsiniz.

Pala

Genellikle küçük yarıçaplı uçları olan palalar, geri tepmeye yönelik biraz daha düşük olasılığa sahiptir. İş için yeterince uzun şekilde eşleşen bir pala ve zincir kullanmalısınız. Daha uzun pala, testere ile kesme işlemi sırasında kontrol kaybı riskini artırır. Zincir gerginliği düzenli şekilde kontrol edin. Daha küçük dalları keserken (pala tam uzunluğundan daha kısa) gerginlik doğru değilse, zincir atma olasılığı daha yüksektir.

TEMEL AĞAÇ KESİMİ, DAL KESİMİ VE ÇAPRAZ KESİME YÖNELİK UYGUN TEKNİKLERLE İLGİLİ TALİMATLAR

Odunun içindeki kuvvetlerin anlaşılması

Yönelmiş basınçları ve ahsabın içindeki gerginlikleri anladığınızda "kısırmaları" azaltabilir veya kesim sırasında en azından bunları bekleyebilirsiniz. Ahsabın içindeki gerginlik, liflerin birbirinden ayrılması anlamına gelir ve bu bölgede kesim yapıyorsanız, testere geçtikçe "çentik" veya kesik açılmaya başlayacaktır. Testere tezgahında bir kütük destekleniyorsa ve uç sonuna kadar desteksiz asılı duruyorsa, lifleri gerilen asılı kütüğün ağırlığı nedeniyle üst yüzey üzerinde gerginlik oluşur. Benzer şekilde, kütüğün alt kısmı sıkıştırılacak ve lifler bir arada itilecektir. Bir kesim bu alanda yapıyorsa, kesme esnasında çentik kapanma eğilimi gösterecektir. Bu, biçacağı kısırabilir.

Ağaç budama

Budama işlemi dalları kesilen ağaçtan ayırır. Budama yaparken, kütüğün yerde desteklemesi için daha geniş alt ana dalları bırakın. Küçük ana dalları tek seferde kesin. Budama testeresinin zorlanmasını önlemek için gergi altındaki ağaç dalları alttan yukarı doğru kesimelidir.

Yaylı direk kesimi

Bir yaylı direk, diğer ahsap ile gerginlik altında bükülmüş olan herhangi bir kütük, dal, kök veya fidandır; böylece bunu tutan ahsap kesilir veya çıkarılırsa geriye doğru yarılar.

Düşen bir ağaç üzerinde köklü bir tomruk, kütüğün kökten ayırmak için ayırma kesimi sırasında dik konuma geri yanlamaya olasılığına sahiptir. Yaylı direklere dikkat edin—bunlar tehlikelidir.

⚠ UYARI! Yaylı direkler tehlikelidir ve kullanıcıya çarparak kullanıcının budama testeresinin kontrolünü kaybetmesine neden olabilir. Bu, kullanıcının ciddi yada ölümcül şekilde yaralanması ile sonuçlanabilir. Bu işlem yalnızca eğitilmiş kullanıcılar tarafından yapılmalıdır.

KULLANIM

Kablosuz budama testeresi yalnızca dış mekanda kullanılmak üzere tasarlanmıştır.

Güvenlik nedenlerinden dolayı budama testeresi iki elle kullanılarak her zaman uygun şekilde kontrol edilmelidir.

Budama testeresi, palanın kesim uzunluğu ile belirlenen bir çaptaki dalların, gövdelerin, kütüklerin ve kırıntıların kesilmesine yönelik tasarlanmıştır. Sadece ahsap materyal kesmek için tasarlanmıştır. Yalnızca budama testeresini kullanırken tehlikeler ve alınacak önleyici tedbirler/eylemler konusunda yeterli eğitim almış yetişkinler tarafından kullanılmalıdır.

Budama testeresi, belirtilen kullanım koşullarında listelenenlerin dışında herhangi bir amaçla kullanılmayın. Profesyonel ağaç hizmetleri için kullanılamaz. Budama testeresi, çocuklar veya uygun kişisel koruyucu ekipman ve kıyafetler giymeyen kişiler tarafından kullanılamaz.

⚠ UYARI!

Budama testeresini kullanırken güvenlik kurallarına uyulmalıdır. Budama testeresini çalıştırmadan önce, kendi güvenliğiniz ve çevredekilerin güvenliği için bu talimatları okuyup tam olarak anlamalısınız. Budama testeresinin kullanımı, önleyici tedbirleri, ilk yardım ve bakım konularında profesyonelce organize edilmiş bir güvenlik kursuna katılmanız gereklidir. Lütfen bu talimatları gelecek kullanımları için güvenli şekilde saklayın.

⚠ UYARI! Budama testeresi potansiyel olarak tehlikeli aletlerdir. Budama testeresinin kullanımını içeren kazalar sıklıkla uzun kayıpla veya ölüme sonuçlanır. Tehlike yalnızca budama testeresi değildir. Düşen dallar, devrilen ağaçlar ve yuvarlanan kütüklerin hepsi ölüme yol açabilir. Hastalıklı veya çürüyen kereste ek tehlikeler oluşturur. Görevi güvenle tamamlama yeteneğinizi değerlendirmelisiniz. Herhangi bir şüphe duyarsanız işi profesyonel bir ağaç uzmanına bırakın.

Bu alet sadece belirttiği gibi ve usulüne uygun olarak kullanılabilir.

KALAN TEHLİKELER

Ürün usulüne uygun kullanıldığında dâhil, kalan tehlikeler söz konusu olabilir. Kullanım sırasında aşağıda belirtilen riskler meydana gelebilir ve bu yüzden kullanıcının aşağıdaki hususlara dikkat etmesi gerekmektedir:

- Titreşimin sebep olduğu yaralanma iş için her zaman doğru aleti kullanın. Belirtilen kolları kullanın. Çalışma ve maruz kalma süresini kısıtlayın.
- Gürültüye maruz kalma nedeniyle işitme hasarları Kulak tıkacı takın ve maruz kalımı sınırlayın.
- Maruz kalınan testere zinciri dişleri ile temastan kaynaklanan yaralanma
- İş parçasında dışarı atılan parçalarının neden olduğu hasar (ağaç kabuğu parçaları, kıymıklar)
- Toz ve parçacıkların neden olduğu yaralanma
- Yağlayıcılarla temastan kaynaklı cilt yaralanması
- Testere zincirinden çıkan parçalar (kesme/çıkarma tehlikeleri)
- Beklenmedik, ani hareket veya palanın geri tepmesi (kesme tehlikeleri)"

RISK AZALTIMI

- Elde kullanılan araçlardan kaynaklanan titreşimlerin bazı kişilerde Raynaud Sendromu olarak bilinen bir duruma etki ettiği bildirilmiştir. Belirtileri karıncaalma, hissizlik ve parmakların kabarmasını içerebilir; bunlar genellikle soğuğa maruz kalındığında belirgindir. Kalıtsal faktörler, soğuk ve neme maruziyet, diyet, sigara içme ve çalışma pratiklerinin hepsinin bu semptomların gelişimine katkıda bulunduğu düşünülmektedir. Kullanıcı tarafından titreşimin olası etkilerini azaltmak üzere alınabilecek önlemler vardır:
- Soğuk havalarda vücudunuzu sıcak tutun. Üniteyi kullanırken elleri ve bileklerini sıcak tutmak için eldiven takın.
- Her kullanımı döneminden sonra, kan dolaşımını artırmak için egzersiz yapın.
- Sık sık çalışma molası verin. Günlük maruz kalma miktarını sınırlayın.
- Profesyonel budama testeresi perakendecileri tarafından temin edilen koruyucu eldivenler koruma, iyi tutuş sağlayıp ayrıca kol titreşimin etkisini azaltacak şekilde budama testeresi kullanımına yönelik özel olarak tasarlanmıştır. Bu eldivenler EN 381-7'ye uyumlu ve CE işaretli olmalıdır.

Bu rahatsızlıktan herhangi biriyle karşılırsanız, derhal kullanmayı bırakın ve doktorunuza görünün.

⚠ UYARI! Bir aletin uzun süre kullanılması yaralanmalara veya yaraların şiddetlenmesine neden olabilir. Herhangi bir aleti uzun süre kullanırken, düzenli mola verdiğinizden emin olun.

LİTYUM İYON PİLLER İÇİN AÇIKLAMALAR

Lityum iyon pillerin kullanılması

Uzun süre kullanılm dışı kalmış kartuş aküleri kullanmadan önce şarj edin.

50°C üzerindeki sıcaklıklar kartuş akünün performansını düşürür. Akünün güneş ışığı veya mekân sıcaklığı altında uzun süre ısınmamasına dikkat edin.

Şarj cihazı ve kartuş aküdeki bağlantı noktalarını temiz tutun.

Akünün ömrünün mükemmel bir şekilde uzun olması için kullandıktan sonra tamamen doldurulması gerekir.

Ömrünün mümkün olduğu kadar uzun olması için akülerin yüklemeye yapıldıktan sonra dolurma cihazından uzaklaştırılması gerekir.

Akünün 30 günden daha fazla depolanması halinde:

Batarya kutusunu, 27°C'nin altında bir sıcaklıkta ve nemden uzak bir yerde saklayın

Aküyü yüklemeye durumunun takriben % 30 - %50 olarak depolayın.

Aküyü her 6 ay yeniden doldurun.

Lityum iyon pillerin aşırı pil şarj koruması

Pek fazla elektrik tüketiminden dolayı, örneğin aşırı fazla devir momentleri, aniden durma veya kısa devre gibi aküye aşırı yüklenme durumunda elektro cihazı 5 saniye titreşir, yüklemeye göstergesi yanıp söner ve elektro cihaz kendiliğinden durur.

Yeniden çalıştırmak için şalter basısını serbest bırakın ve bundan sonra tekrar çalıştırın. Akü aşırı yüklenmeden dolayı fazla ısınır. Bu durumda akü soğuyana kadar yüklemeye göstergesinin bütün lambaları yanıp söner. Göstere lambalarının sönmemesinden sonra tekrar çalışmaya devam edilebilir.

Lityum iyon pillerin taşınması

Lityum iyon piller tehlikeli madde taşımaçılığı hakkındaki yasal hükümler tabidir.

Bu piller, bölgesel, ulusal ve uluslararası yönetmeliklere ve hükümlere uyularak taşınmak zorundadır.

Tüketiciler bu pilleri herhangi bir özel şart aranmaksızın karayoluyla taşıyabilirler.

Lityum iyon pillerin nakliye şirketleri tarafından ticari taşımaçılığı için tehlikeli madde taşımaçılığının hükümleri geçerlidir. Sevkhazırılığı ve taşıma sadece ilgili eğitimli görmüş personel tarafından gerçekleştirilebilir. Bütün süreç uzmanca bir refakatçilik altında gerçekleştirilmek zorundadır.

Pillerin taşınması sırasında aşağıdaki hususlara dikkat edilmesi gerekmektedir:

Kısa devre oluşmasını önlemek için kontakların korunmuş ve izole edilmiş olmasını sağlayınız.

Pil paketinin ambalajı içinde kaymamasına dikkat ediniz. Hasarlı veya akmış pillerin taşınması yasaktır. Ayrıca bilgiler için nakliye şirketinize başvurunuz.

ÇALIŞMA AÇIKLAMALARI

MONTAJ

Testere zincirinin ve palanın takılması

⚠ UYARI! Herhangi bir parça hasar gördüyse veya eksiğe, parçalar değiştirilene kadar makineyi kullanmayın. Bu uyarıyı önemsememek ciddi kişisel yaralanmalara neden olabilir.

Akünün çıkarıldığından emin olun. Koruyucu eldivenlerinizi takınız!

1. Birlikte verilen kombine anahtarları kullanarak palanın montaj somunlarını sökün.
2. Zincir kapağını çıkarın.
3. Zinciri doğru yönde palanın üzerine yerleştirin ve tahrik bağlantılarının pala oluğu ile hizalandığından emin olun.
4. Palayı budama testeresine takın ve zinciri tahrik dişlisinin etrafından geçirin.
5. Zincir kapağını ve palanın montaj somunlarını değiştirin.
6. Pala montaj somunlarını elle sıkıştırın. Zincir gerginliğini ayarlamak için pala hareket etmemelidir.
7. Zincir gerginliğini ayarlayın. "Zincir gerginliğinin ayarlanması" bölümüne bakın.
8. Palanın ucunu yukarı doğru tutun ve pala somunlarını sağlam şekilde sıkın.

⚠ UYARI! Testere zinciri kindir. Zincire bakım yaparken daima koruyucu eldiven takın.

Zincir gerginliğinin ayarlanması

Budama testeresinde herhangi bir işlem yapmadan önce akü kutusunu çıkarın.

Zincir gerginliğini arttırmak için zincir gerdirme vidasını saat yönünde çevirin ve zincir gerginliğini sık sık kontrol edin. Zincir gerginliğini azaltmak için zincir gerdirme vidasını saat yönünün tersine çevirin ve zincir gerginliğini sık sık kontrol edin.

Zincir gerginliği, zincirdeki kesici ile pala arasındaki boşluk yaklaşık 6,8 mm olduğunda doğrudur. Palanın alt tarafının ortasındaki zinciri aşağı doğru (paladan uzağa) çekin ve pala ile zincir kesicileri arasındaki mesafeyi ölçün. Pala montaj somunlarını saat yönünün tersine çevirerek sıkın.

Not: Zinciri aşırı gerdirmeyin - aşırı gerginlik aşırı aşınmaya neden olur ve zincirin ömrünü kısaltıp palaya hasar verebilir. Yeni zincirler, ilk kullanım sırasında gerilebilir ve gevşeyebilir. İlk iki saatlik kullanım esnasında akü kutusunu çıkarın ve zincir gerginliğini sık sık kontrol edin. Zincirin sıcaklığı, normal çalışma sırasında zincirin gerilmesine neden olur. Zincir gerilimini sıklıkla kontrol edin ve gereken şekilde ayarlayın. Sıcakken gergin bir zincir soğuma üzerine çok sıkı olabilir. Zincir gerginliğini bu talimatlarda belirtildiği gibi doğru şekilde ayarlandığından emin olun.

Zincir yağlama yağının eklenmesi

UYARI! Asla zincir yağlama maddesi olmadan çalışma yapmayın. Testere zinciri yağsız çalışıyorsa, pala ve testere zinciri hasar görebilir. Budama testeresini kullanmaya başlamadan önce yağ seviye göstergesindeki yağ seviyesini sık sık kontrol etmek önemlidir. İş için yeterli miktarda yağ olup olmadığını kontrol etmek için hazneyi ¼ oranından daha yüksek tutun.

Not: Ağaçları budarken bitkisel bazı bir zincir yağının kullanılması önerilir. Madeni yağ ağaçlara zarar verebilir. Asla atık yağlı otomobil yağı veya çok kalın yağlar kullanmayın. Bunlar budama testeresine hasar verebilir. Kirlenmeyi önlemek için yağ kapağının etrafındaki yüzeyi temizleyin.

1. Yağ deposundaki kapağı sökün ve çıkarın.
2. Yağ deposuna yağı boşaltın ve yağ seviye göstergesini izleyin.
3. Yağ kapağını yerine takın ve sıkın. Dökülen kalıntıları silin.

Budama testeresinin tutulması

Budama testeresini daima sağ eliniz arka tutma koluna, sol eliniz de ön tutma koluna gelecek şekilde kavrayın. Baş parmaklarınız ve diğer parmaklarınız kolları saracak şekilde her iki tutma kolunu kavrayın.

Budama testeresinin çalıştırılması

Budama testeresini çalıştırmadan önce, pil paketini budama testeresine yerleştirmeniz gerekir.

Yeniden başlama koruması

Elektrikli cihaz yeniden başlama korumasıyla donanmıştır.

Bu özellik çalışır durumdaki elektrikli cihazın pil paketi takılıyken kendi kendine çalışmasını ve pil paketini kapatma işlevinden sonra yeniden çalışmasını önler.

Pala tahtanın dışındaysa işe devam edebilmek için makineyi kapatın ve yeniden çalıştırın.

Pala tahtanın içindeyse, zincir tamamıyla durana kadar bekleyin. İşe devam edebilmek için anahtarın kapalı konumda olduğundan emin olun. Pil paketini makineden ve palayı kesikten çıkarın. İşe devam edebilmek için pil paketini takın ve makineyi yeniden çalıştırın.

TAŞIMA VE DEPOLAMA

Paslanmayı önlemek için depolarken zinciri daima hafifçe yağlayın. Sızıntıyı önlemek için depolarken daima yağ deposunu boşaltın. Depolamadan veya taşımadan önce makineyi durdurun, aküyü çıkarın ve soğumaya bırakın.

Makineden tüm yabancı maddeleri temizleyin. Makineyi çocukların erişemeyeceği serin, kuru ve iyi havalandırılan bir yerde saklayın. Bahçe kimyasalları ve buz çözücü tuzlar gibi korozyif maddelerden uzak tutun. Dış mekanda depolamayın.

Makineyi depolarken veya taşıma sırasında palanın kılıfını takın.

Araçlarda nakliye için kişilerin yaralanmasını veya makineye zarar gelmesini önlemek için makineyi hareketlere veya düşmeye karşı koruyun.

TEMİZLENMESİ

Açıklıklardaki toz ve döküntüleri temizleyin. Tutamağı temiz, kuru, yağsız ve gresiz tutun. Bazı temizleme maddeleri ve solventler plastiklere ve diğer yalıtımlı parçalara zarar verdiğinden, temizlemek için sadece yumuşak sabun ve nemli bir bez kullanın. Bu maddeler arasında benzin, terebentin, lake tineri, tiner, klorlu temizleme solventleri, amonyak ve amonyak içeren ev deterjanları yer alır. Aletlerin çevresine asla yanabilir veya tutuşabilir solvent kullanmayın.

BAKIM

UYARI! Sadece Milwaukee aksesuarı ve yedek parçası kullanın. Bunun yapılmaması olası yaralanmalara neden olabilir, düşük performansa katkıda bulunabilir ve garantinizi geçersiz kılabilir.

Sadece Milwaukee aksesuarı ve yedek parçası kullanın. Nasıl değiştirileceği açıklanmamış olan yapı parçalarını bir Milwaukee müşteri servisinde değiştirin (Garanti ve servis adresi broşürüne dikkat edin).

UYARI! Servise alma işlemi oldukça dikkat gerektirir ve yalnızca kalifiye bir servis teknisyeni tarafından yapılmalıdır. Servis için, makineyi onarıma yönelik en yakın MILWAUKEE servis istasyonuna götürmenizi öneririz. Servis yaparken, yalnızca aynı yedek parçaları kullanın.

UYARI! Ayarlama, bakım veya temizleme işleminden önce aküyü çıkarın. Bu uyarıya uymamak ciddi kişisel yaralanmalara neden olabilir. Yalnızca bu kılavuzda açıklanan ayarlamaları veya onarımları yapabilirsiniz. Diğer onarımlar için yetkili servis temsilcisi ile irtibat kurun.

Hatalı bakımın sonuçları, zincir freninin ve diğer güvenlik özelliklerinin düzgün çalışmamasına ve böylece ciddi yaralanma olasılığının artmasına neden olabilir.

Budama testerenizde profesyonelce bakım yapın ve güvende tutun. • Zinciri güvenli bir şekilde keskinleştirmek, yetenek gerektiren bir görevdir. Bu nedenle üretici, yıpranmış ya da körelmiş bir zincirin MILWAUKEE servis temsilcinizde bulunan yeni bir zincirle değiştirilmesini önemle tavsiye eder. Parça numarası, bu kılavuzdaki ürünün teknik özellikleri tablosunda mevcuttur.

Yağlama ve zincir gerginlik kontrolü ve ayarlama talimatlarına uyun. Her kullanımdan sonra, makineyi yumuşak kuru bir bezle temizleyin.

Pil bölmesindeki tüm talaşı, kiri ve kalıntıyı temizleyin.

Makinenin güvenli bir şekilde çalıştığından emin olmak için bütün somunları, civataları ve vidaları sık aralıklarla kontrol edin. Hasar görmüş herhangi bir parça, MILWAUKEE servis istasyonu tarafından uygun şekilde onarılmalı veya değiştirilmelidir.

Palanın ve testere zincirinin değiştirilmesi

Koruyucu eldiven takın.

1. Pil paketini çıkarın.
2. Palanın kapağını çıkarın
3. Birlikte verilen kombine anahtar kullanılarak palanın montaj somunlarını sökün.
4. Zincir kapağını çıkarın.
5. Testere zincirinin gerginliğini azaltın. "Zincir gerginliğinin ayarlanması" bölümüne bakın.
6. Palayla eski zinciri çıkarın
7. Yeni zinciri doğru yönde palanın üzerine yerleştirin ve tahrik bağlantılarının pala oluğu ile hizalandığından emin olun.
8. Palayı budama testeresine takın ve zinciri tahrik dişlisinin etrafından geçirin.
9. Tahrik dişlisi kapağını ve çubuk montaj somununu değiştirin.
10. Çubuk montaj somununu parmakla sıkın.
11. Zincir gerginlik ayarı için çubuk serbestçe hareket edebilmelidir.
12. Zincir gerginliğini ayarlayın. "Zincir gerginliğinin ayarlanması" bölümüne bakın.
13. Palanın ucunu yukarı doğru tutun ve pala somunlarını sağlam şekilde sıkın.

UYARI! Körelmiş veya hatalı bilenmiş zincir, kesim sırasında aşırı motor hızına ve ciddi motor hasarına neden olabilir.

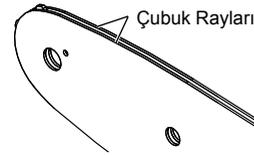
UYARI! Uygun olmayan zincir bileme işlemi, geri tepme olasılığını artırır.

UYARI! Hasar görmüş bir zincirin değiştirilmemesi veya onarılmaması ciddi yaralanmalara neden olabilir.

UYARI! Testere zinciri keskindir. Zincire bakım yaparken daima koruyucu eldiven takın.

Kılavuz Çubuğu Bakımı

Kılavuz çubuk aşınma belirtileri gösterdiğinde, maksimum çubuk ömrü için ve aşınmayı dağıtmak için kılavuz çubuğunu testere üzerinde aşağıdan yukarıya çevirin. Çubuk her kullanım günü temizlenmelidir. Aşınma ve hasar olup olmadığı kontrol edilmelidir. Çubuk raylarının yumuşaması veya çapklanması, çubuk aşınmasının normal bir işlemidir. Bu tür arızalar meydana gelir gelmez bir eğe ile düzeltilmelidir.



Aşağıdaki hatalardan herhangi birine sahip bir çubuk değiştirilmelidir.

- Zincirin yana doğru uzanmasına izin veren çubuk rayların içinde aşınma.
- Bükülmüş kılavuz çubuğu.
- Çatlak veya kırık raylar.
- Yayılmış raylar.

Kılavuz çubukları uçlarında bir dişli ile haftalık olarak yağlayın Bir gres şırıngası kullanarak, yağlama deliğini haftalık olarak yağlayın. Kılavuz çubuğunu çevirin ve yağlama deliklerinin ve çubuk raylarının pislik içermediğini kontrol edin.

Bakım planı

Günlük kontrol

Pala yağlama	Her kullanımdan önce
Zincir gerginliği	Her kullanımdan önce ve sıklıkla
Zincir keskinliği	Her kullanımdan önce, görsel kontrol
Hasarlı parçalar için	Her kullanımdan önce
Gevşek sabitleyiciler için	Her kullanımdan önce
Pala	Her kullanımdan önce
Komple testere	Her kullanımdan sonra

Yedek parçalar (Pala ve zincir)

Üretici	MILWAUKEE	OREGON
Zincir	4932 4801 76	90F033XTR
Pala	4932 4801 69	360804

Zincir, yukarıdaki kombinasyonlara göre aynı üreticiden tedarik edilmiş palaya takılmalıdır.

Parçaları dağılımı görünüm

Gerektiği takdirde aletin dağılık görünüş şeması, alet tipinin ve tip etiketi üzerindeki sayının bildirilmesi koşuluyla müşteri servisinden veya doğrudan Technronic Industries GmbH, Max-Eyth-Straße 10, 71364 Winnenden, Germany adresinden istenebilir.

SEMBOLLER

	Lütfen aleti çalıştırmadan önce kullanma kılavuzunu dikkatli biçimde okuyun.
	DİKKAT! UYARI! TEHLİKE!
	Aletin kendinde bir çalışma yapmadan önce kartuş aküyü çıkarın.
	Makineyi yağmur altında tutmayın.
	Tek elle kullanmayın
	Budama testeresini her zaman iki elle kullanın
	Kesme korumalı, kaymaz tabanlı ve çelik ayak parmaklı güvenli ayakkabıları giyin!
	Koruyucu eldivenlerinizi takınız!
	Her zaman koruyucu giysi ve sağlam ayakkabılar giyiniz.
	Koruyucu bir kask takın. Koruyucu kulaklık kullanın! Koruyucu gözlük kullanın.
	Budama testeresinin geri tepmesine karşı dikkatli olun ve pala ucu ile temastan kaçının
	Kullanım sırasında çevredekileri en az 15 m. uzakta tutun.
	Zincir Yağı Tankı
	Zincir gerginliğini ayarlamak için döndürün
	Zincirin dönme yönü
	Aksesuar - Teslimat kapsamında değildir, önerilen tamamlamalar aksesuar programında.



Atık pillerin, atık elektrikli ve elektronik eşyaların evsel atıklarla birlikte bertaraf edilmesi yasaktır. Atık piller, atık elektrikli ve elektronik eşyalar ayrılarak biriktirilmeli ve bertaraf edilmelidirler. Bertaraf etmeden önce cihazların içindeki atık pilleri, atık akümülatörleri ve lambaları çıkartınız. Yerel makamlara veya satıcınıza geri dönüşüm tesisleri ve atık toplama merkezlerinin yerlerini danışınız. Yerel yönetmeliklere göre perakende satıcılar atık pilleri, atık elektrikli ve elektronik eşyaları ücret talep etmeden geri almak zorunda olabilirler. Atık pillerinizi, atık elektrikli ve elektronik eşyalarınızı tekrar kullanarak ve geri dönüşüme vererek ham madde gereksiniminin az tutulmasına katkıda bulununuz. Atık piller (özellikle lityum iyon piller), atık elektrikli ve elektronik eşyalar, çevreye uygun şekilde bertaraf edilmediklerinde çevre ve sağlığınız üzerinde olumsuz etkilere neden olabilen değerli, tekrar kullanılabilir malzemeler içerirler. Bertaraf etmeden önce atık eşyanız içinde mevcut olabilen şahsınızla ilgili bilgileri siliniz.



Garanti edilen gürültü emisyonu seviyesi 79 dB(A)

v_0

Yüksüz zincir hızı

V

Voltaj



Doğru akım



Avrupa uyumluluk işareti



Britanya uyumluluk işareti



Ukrayna uyumluluk işareti



Avrasya uyumluluk işareti

TECHNICKÁ DATA

M18 FHS20

Typ	prořezávací pila
Výrobní číslo	4916 50 01 XXXXXX MJJJ
Napětí výměnného akumulátoru	18 V \equiv
Řetězová rychlost v nezátženém stavu	4,8 m/s
Délka lišty max.	8" / 200 mm
Použitelná řezná délka	7,4" / 189 mm
Kapacita nádrže řetězového oleje	77 ml
Hmotnost podle prováděcího předpisu EPTA 01/2014 01/2014 (Li-Ion 2.0 Ah .. 12.0 Ah)	2,8 kg 3,9 kg
Doporučená teplota okolí pro provoz	-18 ... +50 °
Doporučené akupaky	M18B...; M18HB...
Doporučené nabíječky	M12-18...; M1418C6

Informace o hluku: Naměřené hodnoty odpovídají EN 62841. V třídě A posuzovaná hladina hluku přístroje činí typicky:

Hladina akustického tlaku / Kolísavost K=

81 dB (A) / 3 dB (A)

Hladina akustického výkonu / Kolísavost K=

89 dB (A) / 3 dB (A)

Používejte chrániče sluchu !

Informace o vibracích: Celkové hodnoty vibrací (vektorový součet tří směrů) zjištěnéve smyslu EN 62841.

Hodnota vibračních emisí a_n / Kolísavost K=

4,9 m/s² / 1,5 m/s²

VAROVÁNÍ!

Hladina vibrací a emisí hluku uvedená v tomto informačním listu byla měřena v souladu se standardizovanou zkouškou uvedenou v normě EN 62841 a může být použita ke srovnání jednoho nástroje s jiným. Může být použita k předběžnému posouzení expozice.

Deklarovaná úroveň vibrací a emisí hluku představuje hlavní použití nástroje. Pokud se však nástroj používá pro různé aplikace, s různým příslušenstvím nebo s nedostatečnou údržbou, mohou se vibrace a emise hluku lišit. To může výrazně zvýšit úroveň expozice v průběhu celé pracovní doby.

Odhad úrovně expozice vibracím a hluku by měl také vzít v úvahu dobu, kdy je nástroj vypnutý nebo když běží, ale ve skutečnosti neprovádí úlohu. To může výrazně snížit úroveň expozice v průběhu celé pracovní doby.

Identifikujte dodatečná bezpečnostní opatření k ochraně pracovníka obsluhy před účinky vibrací a/nebo hluku, například: údržba nástroje a příslušenství, udržování rukou v teple, organizace pracovních schémat.

Používejte chrániče sluchu. Působením hluku může dojít k poškození sluchu.

VAROVÁNÍ! Přečtěte si všechny bezpečnostní pokyny, instrukce, popisy a údaje, které obdržíte s přístrojem. Pokud následující pokyny nedodržíte, může to vést k úderu elektrickým proudem, požáru nebo těžkým poraněním. **Všechna varovná upozornění a pokyny do budoucna uschovejte.**

OBECNÉ BEZPEČNOSTNÍ VAROVÁNÍ PRO PROŘEZÁVACÍ PILU

a) Při provozu prořezávací pily uchovávejte všechny části těla dál od prořezávací pily. Před spuštěním prořezávací pily se ujistěte, že řetěz pily se ničeho nedotýká. Moment nepozornosti při provozu prořezávacích pil může způsobit zapletení se vašeho oblečení nebo těla do řetězu pily.

b) Vždy držte prořezávací pilu pravou rukou na zadní rukojeti a levou rukou na přední rukojeti. Držení prořezávací pily s konfigurací opačně položených rukou zvyšuje riziko zranění osob a nikdy by se to tak nemělo dělat.

c) Držte prořezávací pilu pouze za izolované uchopovací plochy, protože řetěz pily může zasáhnout skryté vedení. Řetězy pily, které se dotýkají „živého“ vedení, mohou vystavené kovové části prořezávací pily udělat „živými“ a mohou způsobit úraz elektrickým proudem pracovníkovi obsluhy.

d) Používejte ochranu očí. Další ochranné pomůcky pro sluch, hlavu, ruce a nohy jsou doporučeny. Přiměřené ochranné prostředky snižují zranění osob způsobené létáním úlomků nebo náhodným kontaktem s řetězem pily.

e) Nepoužívejte prořezávací pilu na stromě, na žebříku, na střeše nebo na nestabilní podpěře. Provoz prořezávací pily takovýmto způsobem může způsobit vážné zranění osob.

f) Vždy dodržujte správné postavení a používejte prořezávací pilu pouze v případě, pokud stojíte na pevném, bezpečném a rovném povrchu. Kluzké nebo nestabilní povrchy mohou způsobit ztrátu rovnováhy nebo kontroly nad prořezávací pilou.

g) Při řezání větve, která je pod napětím, buďte opatrní z důvodu odpružení. Když se uvolní napětí v dřevěných vláknech, může větev zatížená pružením udeřit pracovníka obsluhy a / nebo vyrazit prořezávací pilu mimo kontrolu.

h) Při řezání tenkých větví a malých stromků buďte obzvlášť opatrní. Tenký materiál může zachytit řetěz pily a šlehnout směrem k vám nebo vás vyvést z rovnováhy.

i) Noste prořezávací pilu za přední rukojeť s vypnutou prořezávací pilou a dále od vašeho těla. Při přepravě nebo skladování prořezávací pily vždy zasuňte kryt vodící lišty. Správné zacházení s prořezávací pilou snižá pravděpodobnost náhodného kontaktu s pohyblivým se řetězem pily.

j) Postupujte podle pokynů na mazání, napnutí řetězu a výměnu lišty a řetězu. Nesprávně napnutý nebo namazaný řetěz se může buď přetrhnout nebo může zvýšit šanci na zpětný ráz.

k) Udržujte rukojeti suché, čisté a bez oleje a mastnoty. Mastnoté, olejové rukojeti jsou kluzké, což způsobuje ztrátu kontroly.

l) Řežte pouze dřevo. Nepoužívejte prořezávací pilu na neschválené účely. Například: nepoužívejte prořezávací pilu na řezání kovových, plastových, zdicích nebo nedřevěných stavebních materiálů. Použití prořezávací pily na provoz, který je odlišný od schváleného provozu, může vést k nebezpečné situaci.

Při odstraňování zaseknutého materiálu, skladování nebo servisu prořezávací pily dodržujte všechny pokyny. Zkontrolujte, zda je spínač vypnutý a akumulátorový článěk je vytáhnuty. Neočekávané uvedení prořezávací pily do činnosti při odstraňování zaseknutého materiálu nebo při servisu může mít za následek vážné zranění osob.

Příčiny a prevence zpětného rázu pracovníka obsluhy:

Zpětný ráz může nastat, když se přední část nebo hrot vodící lišty dotkne nějakého předmětu nebo když se dřevo zavře a sevře řetěz pily v řezu.

Při kontaktu hrotu může v některých případech dojít k náhlé reverzní reakci, vyrazení vodící lišty nahoru a zpět do pracovníka obsluhy.

Sevržení řetězu pily podél horní části vodicí lišty může zatlačit vodicí lištu rychle zpět směrem k pracovníkovi obsluhy.

Každá z těchto reakcí může způsobit, že ztratíte kontrolu nad pilou, což může mít za následek vážné zranění osob. Nespoléhejte se výhradně na bezpečnostní zařízení zabudované do vaší pily.

Jako uživatel prořezávací pily byste měli udělat několik kroků, aby vaše práce při řezání byla bez nehod nebo zranění.

Zpětný ráz je důsledkem chybného používání prořezávací pily a/nebo nesprávné obsluhy, resp. podmínek. Tomuto efektu lze předcházet dodržováním správných preventivních opatření uvedených níže:

a) Zachovejte pevný úchyt pomocí palců a ostatních prstů obklopujících rukojeť prořezávací pily, s oběma rukama na pile a s polohou vašeho těla a rukou, která vám umožní odolávat silám zpětného rázu. Síly zpětného rázu může kontrolovat pracovník obsluhy, pokud se provedou vhodná opatření. Nespuštějte prořezávací pilu.

b) Nepřesáhněte a neřeže nad výškou ramen. To pomáhá zabránit neúmyslnému kontaktu hrotu a umožňuje lepší kontrolu prořezávací pily v neočekávaných situacích.

c) Používejte pouze náhradní vodicí lišty a řetězy uvedené výrobcem. Nesprávné výměnné vodicí lišty a řetězy mohou způsobit přetržení řetězu a/nebo zpětný ráz.

d) Dodržujte pokyny výrobce pro ostření a údržbu řetězu pily. Snížení výšky hloubkového dorazu může vést k většímu zpětnému rázu.

DALŠÍ BEZPEČNOSTNÍ A PRACOVNÍ POKYNY

Při prvním používání stroje se doporučuje řezat kulatinu na kozách nebo v kloběce na řezání dřeva.

Úvazání

Úvazání pouze pomocí lan absorbujících energii. Úvaz připevňujte pouze ke smyčce lana.

Nepřipevňujte úvaz k rukojeti, krytu vodicí lišty ani k žádné jiné části nářadí.

Zajistěte, aby byly všechny ochranné kryty, rukojeť a ozubený doraz správně namontovány a byly v dobrém stavu.

Osoby používající prořezávací pilu by měly být v dobrém zdravotním stavu. Prořezávací pila je těžká, obsluha tedy musí být fyzicky zdatná.

Pracovník obsluhy by měl být ostražitý, mít dobrý zrak, pohyblivost, rovnováhu a manuální zručnost. Pokud existují pochybnosti, nepoužívejte prořezávací pilu.

Nezačínajte používat prořezávací pilu, dokud nebudete mít čistý pracovní prostor, bezpečné postavení a naplánovanou ústupovou cestu pryč od padajícího stromu. Dávejte pozor na vypouštění mazací mlhy a vystřelování pilin. Pokud je to nutné, noste masku nebo respirátor.

Neřežte révu a/nebo malý podrost.

Vždy držte prořezávací pilu během provozu oběma rukama. Používejte pevný úchyt pomocí palců a ostatních prstů obklopujících rukojeť prořezávací pily. Pravá ruka musí být na zadní rukojeti a levá ruka na přední rukojeti.

Před spuštěním prořezávací pily se ujistěte, že řetěz pily se ničeho nedotýká.

Neupravujte prořezávací pilu žádným způsobem ani nepoužívejte pro vaši prořezávací pilu příslušenství nebo zařízení, která nejsou schválena výrobcem.

Měla by být k dispozici v blízkosti pracovníka obsluhy souprava první pomoci obsahující velké obvazy na rány a prostředky pro vyvolání pozornosti (např. píšťalka). Větší komplexní sada by měla být v rozumné blízkosti.

Nesprávné napnutí řetěz může vysočit z vodicí lišty a způsobit vážná poranění nebo smrt. Délka řetězu závisí na teplotě. Pravidelně kontrolujte napnutí řetězu.

Měli byste se seznámit se svou novou prořezávací pilou tím, že uděláte jednoduché řezy v bezpečné podepřeném dřevě. Dělejte to vždy i poté, co delší dobu nepoužíváte prořezávací pilu. Abyste snížili riziko zranění způsobené kontaktem s pohyblivými částmi,

vždy zastavte motor, vyjměte napájecí sadu a ujistěte se, že se všechny pohyblivé části zastavily, předtím než:

- čistěním nebo odstraněním zablokování
- zanecháním stroje bez dozoru
- instalací nebo odstraněním příslušenství
- kontrolou, prováděním údržby nebo prací na stroji

Velikost pracovního prostoru závisí na vykonávaném úkolu, jakož i na velikosti příslušného stromu nebo obrobku. Například užiznutí stromu vyžaduje větší pracovní prostor jako provádění jiných řezů, t.j. zkracovacích řezů, atd. Pracovník obsluhy si musí být vědom všeho, co se děje v pracovním prostoru a mít to pod kontrolou.

Neřežte v pozici, kdy je vaše tělo v jedné linii s vodicí lištou a řetězem. Pokud dojde k zpětnému rázu, pomůže to zabránit tomu, aby řetěz přišel do kontaktu s vaší hlavou nebo tělem.

Nepoužívejte při řezání pohyb vpřed a vzad, nechte řetěz vykonat svou práci. Udržujte řetěz ostrou a nepokoušejte se tlačit řetěz během řezu.

Nevyvíjejte tlak na pilu na konci řezu. Budte připraveni zachytit hmotnost pily, když už řeže mimo dřeva. Selhání v tomto může mít za následek vážné zranění osob.

Nezastavujte pilu uprostřed operace řezání.

Nechte pilu běžet, dokud není úplně ven z řezu. Při ručním vedení pily neareutujte vypínač.

Před zahájením veškerých prací na vrtacím šroubováků vyjmout výměnný akumulátor.

VAROVÁNÍ! Abyste zabránili nebezpečí požáru způsobeného zkratem, poraněním nebo poškozením výrobku, neponořujte nářadí, výměnnou baterii nebo nabíječku do kapalin a zajistěte, aby do zařízení a akumulátorů nevnikly žádné tekutiny. Korodující nebo vodivé kapaliny, jako je slaná voda, určité chemikálie a bělicí prostředky nebo výrobky, které obsahují bělidlo, mohou způsobit zkrat.

Akumulátor systému M18 nabíjejte pouze nabíječkou systému M18. Nenabíjejte akumulátory jiných systémů.

Náhradní akumulátory ani nabíječku neotvírejte, skladujte je v suchu, chraňte před vlhkem.

Tlačit a táhnout

Reakční síla je vždy opačná ke směru pohybu řetězu. Proto musí být pracovník obsluhy připraven řídit tendenci stroje odtáhnout (pohyb vpřed) při řezání na spodním okraji lišty a tlačit dozadu (směrem k pracovníkovi obsluhy) při řezání podél horního okraje.

Pila zachycena v řezu

Zastavte prořezávací pilu a zajistěte ji. Nepokoušejte se vytrhnout řetěz a lištu z řezu, protože je pravděpodobné, že by došlo k přetržení řetězu, rozkývání a nárazu do pracovníka obsluhy. Tato situace se obvykle vyskytuje proto, že dřevo je nesprávně podepřeno, což způsobuje, že řez se uzavře pod tlakem, čímž se čepel zasekne. Pokud úprava podpěry nevolní tyč a řetěz, použijte dřevěné klíny nebo páku na otevření řezu a uvolnění pily. Nikdy se nepokoušejte nastartovat prořezávací pilu, když už je vodicí lišta v řezu nebo zářezu.

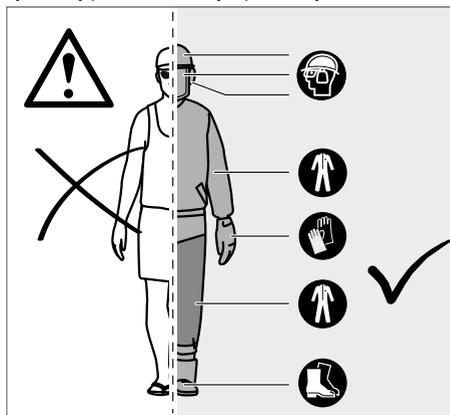
Nerovnoměrný pohyb po povrchu / Nadskakování

Když se prořezávací pila během řezání nezařízne dnu, vodicí lišta může začít nadskakovat nebo nebezpečně se klouzat podél povrchu kulatiny nebo větve, což může mít za následek ztrátu kontroly nad řetězovou pilou. Chcete-li zabránit nebo snížit nerovnoměrný pohyb po povrchu nebo nadskakování, vždy používejte pilu oběma rukama, abyste zajistili, že řetěz pily vytvoří drážku na řezání. Nikdy neřežte vaší řetězovou pilou malé a pružné větve nebo tenké větve. Jejich velikost a flexibilita mohou snadno způsobit, že se pila odrazí směrem k vám nebo naakumuluje dostatečnou sílu na způsobení zpětného rázu. Nejlepším nástrojem pro tento druh práce je ruční pila, zahradnické nůžky, sekera nebo jiné ruční nářadí.

Osobní ochranné pomůcky

Během provozu stroje noste vždy přilbu. Přilba vybavená síťovým štítem může pomoci snížit riziko zranění obličeje a hlavy, pokud dojde k zpětnému rázu. Používejte chrániče sluchu!

Kvalitní osobní ochranné prostředky, které používají profesionálové, pomohou snížit riziko zranění pracovníka obsluhy. Při provozu stroje by se měly používat následující prostředky:



Bezpečnostní přilba

by měla být v souladu s EN 397 a označena CE

Ochrana sluchu

by měla být v souladu s EN 352-1 a označena CE

Ochrana očí a obličeje

by měla být označena CE a být v souladu s EN 166 (pro bezpečnostní brýle) nebo EN 1731 (pro síťové štíty)

Rukavice

by měly být v souladu s EN381-7 a označeny CE

Ochrana nohou (kožené chrániče kalhot)

by měla být v souladu s EN 381-5, označena CE a poskytovat všestrannou ochranu by měla být v souladu s EN 381-5, označena CE a poskytovat všestrannou ochranu

Bezpečnostní obuv pro prořezávací pilu

by měla být v souladu s EN ISO 20345:2004 a označena štítem, který znázorňuje prořezávací pilu, aby se prokázal soulad s EN 381-3. (Příležitostní uživatelé mohou používat bezpečnostní obuv s ocelovou špičkou s ochrannými kamašemi, které vyhovují normě EN 381-9, pokud je povrch rovný a existuje jen malé riziko klopýtnutí nebo zachycení se na podrostu)

Bundy pro prořezávací pily na ochranu horní části těla

by měly být v souladu s EN 381-11 a označeny CE

POZNEJ SVOU PROŘEZÁVACÍ PILU

- | | | | |
|----|--------------------------|----|----------------------------|
| 1 | Přední rukojeť | 11 | Ozubený doraz |
| 2 | Kryt přední ruky | 12 | Řetěz pily |
| 3 | Blokovací zařízení | 13 | Vodicí lišta |
| 4 | Spínač | 14 | Drážka lišty |
| 5 | Zadní rukojeť | 15 | Řetězový pohon |
| 6 | Uzávěr maziva řetězu | 16 | Kryt ozubeného kola pohonu |
| 7 | Nádrž na olej na řetězy | 17 | Šroub napnutí řetězu |
| 8 | Ochrana předřzovací ruky | 18 | upevňovací matice lišty |
| 9 | Kombinovaný klíč | 19 | Kryt vodicí lišty |
| 10 | Akumulátory | | |

VAROVÁNÍ!

Důsledkem nesprávné údržby, odstranění nebo úpravy bezpečnostních prvků, spínáče zapalování, ochranného krytu rukou (předního a zadního), ozubeného dorazu, zachycovače řetězu, vodicí lišty nebo řetězu pily s nízkým zpětným rázem může být chybna funkce bezpečnostních prvků, čímž se zvýší možnost vážného poranění.

Ozubený doraz

Integrovaný ozubený doraz může být použit jako bod otáčení, když se má provést řez. Je užitečné, abyste při řezání stabilně drželi těleso pily. Při řezání tlačte stroj dopředu, dokud kovové čepy neproniknou do hrany dřeva. Když pak zvednete zadní rukojeť směrem nahoru nebo dolů ve směru řezu, může se snížit fyzické zatížení řezání.

Vodicí lišta

Obecně mají vodicí lišty s hroty malého poloměru o něco nižší potenciál zpětného rázu. Měli byste používat vodicí lištu a odpovídající řetěz, který je dostatečně dlouhý na danou práci. Delší lišty zvyšují riziko ztráty kontroly při řezání. Pravidelně kontrolujte napnutí řetězu. Při řezání menších větví (méně než je celá délka vodicí lišty) je pravděpodobnější, že řetěz bude odhozena, pokud napětí není správné.

POKYNY TÝKAJÍCÍ SE SPRÁVNÝCH TECHNIK PRO ZÁKLADNÍ ŘEZÁNÍ, OŘEZÁVÁNÍ VĚTVÍ A PRŮŘEZ

Pochopení sil působících ve dřevě

Když pochopíte směrové tlaky a namáhání uvnitř dřeva, můžete zredukovat „sevržení“ nebo je alespoň očekávat během řezání. Napětí ve dřevě znamená, že se oddělují vlákna a pokud řežete v této oblasti, „zářez“ nebo řez budou mít tendenci otevírat se při přechodu pily. Pokud je na koze na řezání dřeva podepřena kulatina a konec je na koncích nepodepřeny, na horní ploše se vytvoří napětí v důsledku váhy převislé kulatiny, které natahuje vlákna. Stejně tak bude spodní část kulatiny pod tlakem a vlákna budou stlačovány dohromady. Pokud se v této oblasti udělá řez, zářez bude mít tendenci uzavřít se během řezu. Tím by se čepel sevřela.

Odvětvění stromu

Odvětvění je odstranění větvi pokáceného stromu. Při odvětvění nechte větší, dole ležící větve jako podpěry, aby strom zůstal nad zemí. Odstraňte menší větve jedním řezem. Větve, které jsou pod napětím, by měly být řezané zdola nahoru, aby se zabránilo zaseknutí prořezávací pily.

Řezání napjatého dřeva

Napjaté dřevo je kmen, větev, zakořeněný pařez nebo výhonek, který je ohnutý pod napětím jiným dřevem a rychle se vrátí zpět, když se jiné dřevo řeže nebo odstraňuje.

Při kácení stromu je velmi pravděpodobné, že zakořeněný pařez se rychle vrátí zpět do své vzpřímené polohy, když se kmen oddělí při zkracování délky od pařezu. Dávejte pozor na napjaté dřevo, protože je velmi nebezpečné.

VAROVÁNÍ! Napjatá dřeva jsou nebezpečná a mohou udeřit do pracovníka obsluhy, což způsobí, že ztratí kontrolu nad prořezávací pilou. Mohlo by to vést k vážnému nebo smrtelnému zranění pracovníka obsluhy. Toto by měli provádět vyškolení uživatelé.

OBLAST VYUŽITÍ

Bezšňurová prořezávací pila je určena pouze pro použití venku.

Z bezpečnostních důvodů musí být prořezávací pila dostatečně kontrolována pomocí neustálého oboustranného provozu.

Prořezávací pila je určena k řezání větví, kmenů, kulatiny a trámů s průměrem určeným řeznou délkou vodicí lišty. Je určena pouze k řezání dřeva. Mají ji používat pouze dospělí, kteří absolvovali odpovídající školení o nebezpečích a preventivních opatřeních/krocích, které je třeba provést během používání prořezávací pily.

Nepoužívejte prořezávací pilu na žádné jiné účely než ty výše uvedené. Nesmí se používat v rámci profesionální péče o stromy. Prořezávací pilu nesmí používat děti ani osoby, které nenosí potřebné osobní ochranné prostředky a oblečení.

VAROVÁNÍ! Při používání této prořezávací pily je třeba dodržovat bezpečnostní pravidla. Pro svou vlastní bezpečnost a bezpečnost třetích osob si před použitím prořezávací pily přečtěte tyto pokyny. Měli byste absolvovat profesionálně organizovaný kurz o bezpečném používání, preventivních opatřeních, první pomoci a údržbě prořezávací pily. Prosim, uschovejte si pokyny pro pozdější použití.

VAROVÁNÍ! Prořezávací pily jsou potenciálně nebezpečné nástroje. Nehody spojené s použitím prořezávacích pil často vedou ke ztrátě končetin nebo k smrti. Avšak nejen prořezávací pila představuje nebezpečí. Padající větve a stromy a valící se kulatina mohou zabít. Nemoci napadené nebo hnilobné dřevo představuje další nebezpečí. Měli byste posoudit svou schopnost bezpečně dokončit úkol. Pokud existují nějaké pochybnosti, nechte to na profesionálního piláře stromů.

Toto zařízení lze používat jen pro uvedený účel.

ZBÝVAJÍCÍ RIZIKA

Dokonce ani při řádném používání výrobku podle předpisů se nedají zcela vyloučit zbývající rizika. Při používání mohou vzniknout následující rizika, a proto by obsluha měla dodržovat následující pokyny:

- Zranění způsobeno vibracemi
Vždy používejte správný nástroj pro daný úkol. Používejte určené rukojeti. Omezte pracovní dobu a expozici.
- Poškození sluchu v důsledku expozice hluku
Používejte ochranu sluchu a omezujte expozici.
- Zranění způsobeno kontaktem s odkrytými pilovými zuby řetězu
- Zranění způsobeno vyvrženými kusy obrobku (dřevěné třísky, úlomky)
- Zranění způsobeno prachem a částicemi
- Zranění kůže způsobeno kontaktem s mazivou
- Části vyvržené z řetězu pily (nebezpečí pořezání/vstříkávání)
- Nepředvídatelný, náhlý pohyb nebo zpětný ráz vodící lišty (nebezpečí pořezání)*

SNÍŽENÍ RIZIKA

- Byla vydána zpráva o tom, že vibrace z ručních nástrojů mohou přispět ke vzniku stavu nazývaného Raynaudův syndrom u některých jedinců. Příznaky mohou zahrnovat brnění, znecitlivění a blednutí prstů, obvykle zřejmé po expozici chladu. Zdá se, že dědičné faktory, expozice účinkům chladu a vlhkosti, dieta, kouření a pracovní postupy přispívají k rozvoji těchto příznaků. Existují opatření, která může pracovník obsluhy přijmout pro snížení účinků vibrací:
- Mějte své tělo v teple i v chladném počasí. Během práce používejte rukavice, abyste udržovali ruce a zápěstí v teple.
- Po každé pracovní operaci si trochu zacvičte na zvýšení krevního oběhu.
- Dělejte si časté pracovní přestávky. Omezte množství expozice za den.
- Ochranné rukavice, které jsou k dispozici od profesionálních maloobchodníků s prořezávacími pilami, jsou navrženy speciálně pro použití prořezávací pily a poskytují ochranu, dobré uchopení a také snižují vliv vibrací rukojeti. Tyto rukavice by měly vyhovovat normě EN 381-7 a musí mít označení CE.

Pokud se u vás vyskytnou kterýkoli z příznaků tohoto stavu, ihned přerušte používání a navštivte svého lékaře.

VAROVÁNÍ! Zranění mohou být způsobena nebo zhoršena dlouhodobým používáním nástroje. Pokud používáte jakýkoli nástroj prodlouženou dobu, zajistěte, abyste si dělali pravidelné přestávky.

UPOZORNĚNÍ NA LITHIUM-IONTOVÉ BATERIE

Použití lithium-iontových baterií

Déle nepoužívané akumulátory je nutné před použitím znovu nabít.

Teplota přes 50°C snižuje výkon akumulátoru. Chraňte před dlouhým přehříváním na slunci či u topení.

Kontakty nabíječky a akumulátoru udržujte v čistotě.

Pro optimální životnost je nutné akumulátory po použití plně dobít.

K zabezpečení dlouhé životnosti by se akumulátory měly po nabíti vyjmout z nabíječky.

Při skladování akumulátoru po dobu delší než 30 dní:

Napájecí sadu skladujte v prostředí s teplotou do 27 °C a chraňte ji před vlhkem.

Skladujte akumulátor při cca 30%-50% nabíjecí kapacitě.

Opakujte nabíjení akumulátoru každých 6 měsíců.

Ochrana proti přetížení u lithium-iontových baterií

Při přetížení akumulátoru příliš vysokou spotřebou proudu, například při extrémně vysokém kroticím momentu, začne elektrické nářadí po dobu 5 sekund vibrovat, indikátor dobíjení začne blikat a motor se následně samočinně vypne.

K opětovnému zapnutí uvolněte a následně opět stiskněte tlačítkový vypínač. Při extrémním zatížení dochází k příliš vysokému ohřevu akumulátoru. V tomto případě začnou blikat všechny kontroly indikátoru dobíjení a blikají tak dlouho, dokud se akumulátor opět neochladí. V okamžiku, kdy indikátor dobíjení přestane blikat, je možné v práci opět pokračovat.

Převprava lithium-iontových baterií

Lithium-iontové baterie spadají podle zákonných ustanovení pod přepravu nebezpečného nákladu.

Převprava těchto baterií se musí realizovat s dodržováním lokálních, vnitrostátních a mezinárodních předpisů a ustanovení.

Spotřebitelé mohou tyto baterie bez problémů přepravovat po komunikacích.

Komerční přeprava lithium-iontových baterií prostřednictvím přepravních firem podléhá ustanovením o přepravě nebezpečného nákladu. Přípravu k vyexpedování a samotnou přepravu směji vykonávat jen příslušně vyškolené osoby. Na celý proces se musí odborně dohlížet.

Při přepravě baterií je třeba dodržovat následující:

Zajistěte, aby kontakty byly chráněné a izolované, aby se zamezilo zkratům.

Dávejte pozor na to, aby se svazek baterií v rámci balení nemohl sesmeknout. Poškozené a vyteklé baterie se nesmějí přepravovat. Ohledně dalších informací se obraťte na vaši přepravní firmu.

PRACOVNÍ POKYNY

MONTÁŽ

Montáž řetězu pily a vodící lišty

VAROVÁNÍ! Pokud jsou některé části poškozeny nebo chybí, nepoužívejte stroj, dokud se části nevymění. Nedodržení tohoto varování může způsobit vážné zranění osob.

Nezapomeňte odstranit akumulátor. Používejte ochranné rukavice!

1. Odstraňte montážní matice lišty s použitím dodaného kombinovaného klíče.
2. Odstraňte kryt řetězu.
3. Nasadte řetěz ve správném směru na lištu a přesvědčte se, že vodící články jsou zarovnaný v drážce lišty.
4. Připojte lištu k prořezávací pile a oviňte řetěz kolem hnacího ozubeného kola.
5. Vyměňte kryt řetězu a montážní matice lišty.
6. Rukou přišroubujte montážní matice lišty. Lišta se musí volně pohybovat při nastavení napnutí řetězu.
7. Nastavte napnutí řetězu. Viz část „Nastavení napnutí řetězu“.
8. Držte hrot vodící lišty nahoru a bezpečně utáhněte montážní matice lišty.

VAROVÁNÍ! Řetěz pily je ostrá. Při údržbě řetězu vždy používejte ochranné rukavice.

Nastavení napnutí řetězu

Před prováděním jakýchkoli prací na prořezávací pile vyberte akumulátorový článek.

Pro zvýšení napnutí řetězu otočte napínací šroub řetězu ve směru hodinových ručiček a často kontrolujte napnutí řetězu. Pro snížení napnutí řetězu otočte napínací šroub řetězu proti směru hodinových ručiček a často kontrolujte napnutí řetězu.

Napnutí řetězu je správné, když je mezera mezi řeznou částí v řetězu a lištou přibližně 6,8 mm. Zatáhnete řetěz uprostřed spodní strany lišty směrem dolů (přyc od lišty) a změřte vzdálenost mezi lištou a řezacími částmi řetězu. Upevněte montážní matice lišty otočením proti směru hodinových ručiček.

Poznámka: Nepřetěžujte řetěz - nadměrné napnutí způsobí nadměrné opotřebení a sníží životnost řetězu a může poškodit lištu. Během úvodního používání by se nové řetězy mohly roztáhnout a uvolnit. Během prvních dvou hodin používání vyberte akumulátorový článek a často kontrolujte napnutí řetězu. Teplota řetězu se během běžného provozu zvyšuje, čímž se řetěz roztáhne. Kontrolujte často napnutí řetězu a podle potřeby upravte. Řetěz napnutý za tepla může být při ochlazení příliš těsný. Ujistěte se, že napnutí řetězu je správné nastaveno tak, jak je uvedeno v tomto návodu.

Přidání mazacího oleje řetězu

VAROVÁNÍ! Nikdy nepracujte bez maziva řetězu. Pokud řetěz pily pracuje bez maziva, může dojít k poškození vodící lišty a řetězu pily. Je nezbytné často kontrolovat hladinu oleje v ukazateli hladiny oleje a před zahájením používání prořezávací pily.Nádržku udržujte naplněnou na více než ¼ objemu, abyste zajistili dostatek oleje pro danou úlohu.

Poznámka: Při přezávání stromů se doporučuje použít řetězový olej na rostlinné bázi. Minerální olej může poškodit stromy. Nikdy nepoužívejte odpadní olej, automobilový olej nebo velmi husté oleje. Mohlo by dojít k poškození prořezávací pily. Vycištěte povrch kolem uzávěru oleje, abyste zabránili znečištění.

1. Odšroubujte a odstraňte uzávěr z olejové nádrže.
2. Olej nalijte do olejové nádrže a sledujte ukazatel hladiny oleje.
3. Uzávěr oleje dejte zpět a utáhněte. Otfete jakékoliv rozlití.

Držení prořezávací pily

Vždy držte prořezávací pilu pravou rukou na zadní rukojeti a levou rukou na přední rukojeti. Uchopte obě rukojeti palci a ostatními prsty obepínajícími rukojeti.

Startování prořezávací pily

Před spuštěním byste měli do prořezávací pily vložit akumulátor.

Ochrana proti opětovnému náběhu

Toto elektronářadí je vybaveno ochranou proti opětovnému náběhu.

Tohle zabraňuje samovolnému rozběhu zapnutého elektronářadí, když je akumulátor vložen a zabraňuje opětovnému rozběhnutí po funkci vypnutí akumulátoru.

Pokud vodící lišta není v kontaktu se dřevem, stroj vypnete a znovu zapnete, abyste mohli pokračovat v práci.

Pokud je vodící lišta v kontaktu se dřevem, počkejte, až se řetěz pily zcela zastaví. Ujistěte se, že je spínač ve vypnuté poloze. Vyměňte akumulátor ze stroje a vodící lištu z řezu. Vložte akumulátor a poté stroj znovu zapněte, abyste mohli pokračovat v práci.

PŘEPRAVA A SKLADOVÁNÍ

Při skladování vždy zlehka namažte řetěz olejem, abyste zabránili vzniku rzi. Při skladování vždy vyprázdněte olejovou nádrž, abyste předešli úniku.

Zastavte stroj, vyjměte baterii a nechte vychladnout před uskladněním nebo přepravou.

Vyčistěte všechny cizí materiály ze stroje. Stroj uchovávejte na chladném, suchém a dobře větraném místě, které je dětem nedostupné. Uchovávejte mimo dosah korozivních látek, jako jsou například zahradní chemikálie a odmrazovací soli. Neskladujte venku.

Před uskladněním stroje nebo během přepravy namontujte kryt vodící lišty.

Při přepravě ve vozidlech zajistěte stroj proti pohybu nebo pádu, aby nedošlo ke zranění osob nebo k poškození stroje.

ČISTĚNÍ

Vyčistěte prach a úlomky z otvorů. Rukojeť udržujte čistou, suchou a bez oleje nebo mastnoty. K čištění používejte pouze jemné mýdlo a navlhčenou tkaninu, protože některé čisticí prostředky a rozpouštědla škodí plastům a jiným izolovaným částem. Některé z nich jsou benzín, terpentýn, ředidlo na lak, ředidlo na barvy,

chlorované čisticí rozpouštědla, amoniak a čisticí prostředky pro domácnost obsahující amoniak. Nikdy nepoužívejte hořlavá nebo zápalná rozpouštědla kolem nářadí.

ÚDRŽBA

VAROVÁNÍ! Používat výhradně příslušenství Milwaukee a náhradní díly Milwaukee. Pokud tak ne učiníte, může to způsobit možné zranění, příspěk k slabému výkonu a může udělat vaši záruku neplatnou.

Používat výhradně příslušenství Milwaukee a náhradní díly Milwaukee. Díly jejichž výměny nebyla popsána, nechte vyměnit v autorizovaném servisu (viz „Záruky / Seznam servisních míst“)

VAROVÁNÍ! Servis vyžaduje mimořádnou péči a znalosti a měl by být prováděn pouze kvalifikovaným servisním technikem. Pro servis doporučujeme, abyste stroj přinesli do nejbližší servisní stanice MILWAUKEE k provedení opravy. Při servisu používejte pouze identické náhradní díly.

VAROVÁNÍ! Před nastavením, údržbou nebo čištěním vyjměte baterii. Selhání v tomto může mít za následek vážné zranění osob. Můžete provést pouze nastavení nebo opravy popsané v tomto manuálu. Pro jiné opravy se obraťte na autorizovaného servisního zástupce.

Důsledky nesprávné údržby mohou způsobit, že brzda řetězu a další bezpečnostní prvky nebudou fungovat správně, čímž se zvyšuje potenciál vážného zranění.

Mějte svou prořezávací pilu profesionálně udržovanou a bezpečnou. • Bezpečné naostření řetězu je úkol vyžadující dovednosti. Proto výrobce důrazně doporučuje, aby byla opotřebovaná nebo tupá řetěz nahrazena novou, dostupnou u vašeho servisního zástupce společnosti MILWAUKEE. Číslo dílu je k dispozici v tabulce specifikací výrobku v této příručce.

Postupujte podle pokynů na mazání a kontrolu a nastavení napnutí řetězu.

Po každém použití stroj vyčistěte měkkým suchým hadříkem.

Odstraňte všechny třísky, nečistoty a úlomky v úložišti baterie.

Kontrolujte všechny matice a šrouby v pravidelných intervalech ch provedení, abyste zajistili, že stroj je v bezpečném provozním stavu. Kterákoliv poškozená část by měla být řádně opravena nebo vyměněna servisní stanicí MILWAUKEE.

Výměna vodící lišty a řetězu pily

Používejte ochranné rukavice.

1. Vyjměte akumulátor
2. Sejměte kryt vodící lišty
3. Odstraňte montážní matice lišty s použitím dodaného kombinovaného klíče.
4. Odstraňte kryt řetězu.
5. Sníže napnutí pilového řetězu. Viz část „Nastavení napnutí řetězu“.
6. Odstraňte starý řetěz včetně vodící lišty
7. Nasadte novou řetěz ve správném směru na lištu a přesvědčte se, že vodící články jsou zarovnaný v drážce lišty.
8. Připojte lištu k prořezávací pile a oviňte řetěz kolem hnacího ozubeného kola.
9. Nasadte kryt hnacího řetězového kola a montážní matici lišty.
10. Upevňovací matici lišty utáhněte ručně.
11. Pro nastavení napnutí řetězu se musí lišta volně pohybovat.
12. Nastavte napnutí řetězu. Viz část „Nastavení napnutí řetězu“.
13. Držte hrot vodící lišty nahoru a bezpečně utáhněte montážní matice lišty.

VAROVÁNÍ! Tupý nebo nesprávně naostřený řetěz může během řezání způsobit nadměrné otáčky motoru, což může vést k vážnému poškození motoru.

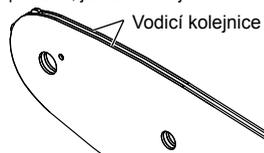
VAROVÁNÍ! Nesprávné naostření řetězu zvyšuje potenciál zpětného rázu.

VAROVÁNÍ! Zanedbání výměny nebo opravy poškozeného řetězu může způsobit vážné zranění.

VAROVÁNÍ! Řetěz pily je ostrá. Při údržbě řetězu vždy používejte ochranné rukavice.

Údržba vodící lišty

Pokud vodící lišta vykazuje známky opotřebení, obraťte ji, aby se opotřebení rozložilo a prodloužila se životnost lišty. Lišta by měla být při používání čistěna každý den a kontrolována, zda není opotřebená nebo poškozená. Zkosení nebo ořepky vodících kolejnic jsou běžným procesem opotřebení lišt. Tyto závady odstraňte pilníkem, jakmile se objeví.



Lištu, u níž se projeví jedna z těchto závad, musíte vyměnit.

- Opotřebení uvnitř vodících kolejnic, které umožňuje posun řetězu do stran.
- Ohnutá vodící lišta.
- Prasklé nebo zlomené kolejnice.
- Roztažené kolejnice.

Vodící lišty s řetězovým kolem na konci jednou týdně namažte. Jednou týdně mazací stříkačkou proveďte mazání pomocí mazacího otvoru. Otočte vodící lištu a zkontrolujte, zda jsou mazací otvory a vodící kolejnice čisté.

Plán údržby

Denní kontrola

Mazání lišty	Před každým použitím
Napnutí řetězu	Před každým použitím a častěji
Ostrost řetězu	Před každým použitím, vizuální kontrola
Pro poškozené části	Před každým použitím
Pro uvolněné upevňovací prostředky	Před každým použitím
Vodící lišta	Před každým použitím
Kompletní pila	Po každém použití

Náhradní díly (Lišta a řetěz)

Výrobce	MILWAUKEE	OREGON
Řetěz	4932 4801 76	90F033XTR
Vodící lišta	4932 4801 69	360804

Řetěz musí být vybavena lištou od stejného výrobce podle výše uvedených kombinací.

Montážní rozvrhový pohled

Při potřebě podrobného rozkresu konstrukce, oslovte informaci o typu a čísle přímo servis a nebo výrobce, Techtronic Industries GmbH, Max-Eyth-Straße 10, 71364 Winnenden, Germany.

SYMBOLY

	Před spuštěním stroje si pečlivě přečtěte návod k používání.
	POZOR! VAROVÁNÍ! NEBEZPEČÍ!
	Před zahájením veškerých prací na vrtacím šroubováku vyjmout výměnný akumulátor.
	Nevystavujte stroj dešti.
	Nepoužívejte jen s jednou rukou
	Vždy používejte proezávací pilu s dvěma rukama
	Používejte bezpečnostní obuv s ochranou proti pořežení, tlustou podrážkou a ocelovou špičkou!
	Používejte ochranné rukavice!
	Noste vždy ochranný oděv a pevnou obuv.
	Noste ochrannou přilbu. Používejte chrániče sluchu ! Používejte ochranné brýle.
	Dávejte pozor na zpětný ráz proezávací pily a vyhýbejte se kontaktu s hrotem lišty
	Během používání udržujte odstup od ostatních osob alespoň 15 metrů.
	Nádrž na řetězový olej
	Otočením nastavte napnutí řetězu
	Směr chodu řetězu
	Příslušenství není součástí dodávky, viz program příslušenství.

	Odpadní baterie a odpadní elektrická a elektronická zařízení se nesmějí likvidovat společně s domovním odpadem. Odpadní baterie a odpadní elektrická a elektronická zařízení je nutné sbírat a likvidovat odděleně. Před likvidací odstraňte ze zařízení odpadní baterie, odpadní akumulátory a osvětlovací prostředky. Informujte se na místních úřadech nebo u vašeho odborného prodejce ohledně recyklačních dvorů a sběrných míst. Podle místních ustanovení mohou maloobchodní prodejci být povinni bezplatně odebrat zpět odpadní baterie a odpadní elektrická a elektronická zařízení. Opětovným použitím a recyklací vašich odpadních baterií a vašich odpadních elektrických a elektronických zařízení přispíváte ke snížení potřeby surovin. Odpadní baterie (především lithium-iontové baterie), odpadní elektrická a elektronická zařízení obsahují cenné, opětovně použitelné materiály, které při ekologické likvidaci nemohou mít negativní účinky na životní prostředí a vaše zdraví. Před likvidací pokud možno vymažte na vašem odpadním přístroji existující osobní údaje.
	Zaručená hladina akustického výkonu 79 dB(A)
v_0	Řetězová rychlost v nezatíženém stavu
V	napětí
	Stejnoseměrný proud
	Značka shody v Evropě
	Značka shody v Británii
	Značka shody na Ukrajině
	Značka shody pro oblast Eurasie

TECHNICKÉ ÚDAJE	
Typ	M18 FHS20
Výrobné číslo	prerezávacia píla
Napätie výmenného akumulátora	4916 50 01 XXXXX MJJJ
Reťazová rýchlosť v nezaťaženom stave	18 V =
Dĺžka lišty max.	4,8 m/s
Použiteľná rezná dĺžka	8" / 200 mm
Kapacita nádrže reťazového oleja	7,4" / 189 mm
Hmotnosť podľa vykonávacieho predpisu EPTA 01/2014 01/2014 (Li-Ion 2.0 Ah ... 12.0 Ah)	77 ml
Odporúčaná teplota okolia pre prevádzku	2,8 kg 3,9 kg
Odporúčaná akupaky	-18 ... +50 °
Odporúčaná nabíjačka	M18B...; M18HB...
Informácia o hluku: Namerané hodnoty určené v súlade s EN 62841. V triede A posudzovaná hladina hluku prístroja činí typicky:	M12-18...; M1418C6
Hladina akustického tlaku / Kolísavosť K=	81 dB (A) / 3 dB (A)
Hladina akustického výkonu / Kolísavosť K=	89 dB (A) / 3 dB (A)
Používajte ochranu sluchu!	
Informácie o vibráciách: Celkové hodnoty vibrácií (vektorový súčet troch smerov) zistených v zmysle EN 62841.	
Hodnota vibračných emisií a _n / Kolísavosť K=	4,9 m/s ² / 1,5 m/s ²

POZOR!

Úroveň vibrácií a emisií hluku uvedená v tomto informačnom liste bola meraná v súlade so štandardizovanou skúškou uvedenou v EN 62841 a môže sa použiť na porovnanie jedného nástroja s druhým. Môže sa použiť v predbežnom posúdení expozície.

Deklarovaná úroveň vibrácií a emisií hluku predstavuje hlavné aplikácie nástroja. Ak sa však nástroj používa pre rôzne aplikácie, s rôznym príslušenstvom alebo s nedostatočnou údržbou, môžu sa vibrácie a emisie hluku líšiť. To môže výrazne zvýšiť úroveň expozície počas celej pracovnej doby.

Odhad úrovne expozície vibráciám a hluku by mal tiež brať do úvahy čas, keď je nástroj vypnutý alebo keď beží, ale v skutočnosti nevykonáva prácu. To môže výrazne znížiť úroveň expozície počas celej pracovnej doby.

Identifikujte dodatočné bezpečnostné opatrenia na ochranu pracovníka obsluhy pred účinkami vibrácií a/alebo hluku, ako je: údržba nástroja a príslušenstva, udržanie teplých rúk, organizácia pracovných schém.

Používajte ochranu sluchu. Pôsobenie hluku môže spôsobiť stratu sluchu.

POZOR! Prečítajte si všetky bezpečnostné upozornenia, pokyny, vyobrazenia a údaje, ktoré dostanete spolu s prístrojom.

Ak by ste nedodržali nasledujúce pokyny, mohli by to mať za následok zásah elektrickým prúdom, vznik požiaru a/alebo vážne poranenie.

Tieto Výstražné upozornenia a bezpečnostné pokyny starostlivo uschovajte na budúce použitie.

OBECNÉ BEZPEČNOSTNÉ VAROVANIA PRE PREREZÁVACIU PÍLU

a) Pri prevádzke prerezávacej píly uchovávajte všetky časti tela ďalej od prerezávacej píly. Pred spustením prerezávacej píly sa uistite, že reťaz píly sa ničoho nedotýka. Moment nepozornosti pri prevádzke prerezávacích píľ môže spôsobiť zapletenie sa vášho oblečenia alebo tela do reťaze píly.

b) Vždy držte prerezávaciu pílu pravou rukou na zadnej rukoväti a ľavou rukou na prednej rukoväti. Držanie prerezávacej píly s konfiguráciou opačne položených rúk zvyšuje riziko zranenia osôb a nikdy by sa to tak nemalo robiť.

c) Držte prerezávaciu pílu len za izolovanú uchopovacie plochy, pretože reťaz píly môže zasiahnuť skryté vedenie. Reťaze píly, ktoré sa dotýkajú „živého“ vedenia, môžu vystavené kovové časti prerezávacej píly urobiť „živými“ a môžu spôsobiť úraz elektrickým prúdom pracovníkovi obsluhy.

d) Používajte ochranu očí. Ďalšie ochranné pomôcky pre sluch, hlavu, ruky a nohy sú odporúčané. Prímerané ochranné prostriedky znižujú zranenie osôb spôsobené lietaním úlomkov alebo náhodným kontaktom s reťazou píly.

e) Nepoužívajte prerezávaciu pílu na strome, na rebriku, na streche alebo na nestabilnej podpere. Prevádzka prerezávacej píly takýmto spôsobom môže spôsobiť vážne zranenie osôb.

f) Vždy dodržujte správne postavenie a používajte prerezávaciu pílu iba v prípade, ak stojíte na pevnom, bezpečnom a rovnom povrchu. Klzké alebo nestabilné povrchy môžu spôsobiť stratu

rovnováhy alebo kontroly nad prerezávacou pílou.

g) Pri rezaní konára, ktorý je pod napätím, buďte opatrní z dôvodu odpruženia. Keď sa uvoľní napätie v drevených vláknach, môže konár zaťažený prúžením udrieť pracovníka obsluhy a/alebo vyraziť prerezávaciu pílu mimo kontroly.

h) Pri rezaní tenkých konárov a malých stromčekov buďte obzvlášť opatrní. Tenký materiál môže zachytiť reťaz píly a šľahnúť smerom k vám alebo vás vyvieť z rovnováhy.

i) Noste prerezávaciu pílu za prednú rukoväť s vypnutou prerezávacou pílou a ďalej od vášho tela. Pri preprave alebo skladovaní prerezávacej píly vždy zasuňte kryt vodiacej lišty. Správne zaobchádzanie s prerezávacou pílou zníži pravdepodobnosť náhodného kontaktu s pohybujúcou sa reťazou píly.

j) Postupujte podľa pokynov na mazanie, napnutie reťaze a výmenu lišty a reťaze. Nesprávne napnutá alebo namazaná reťaz sa môže buď pretrhnúť alebo môže zvýšiť šancu na spätný ráz.

k) Udržujte rukoväte suché, čisté a bez oleja a mastnoty. Mastné, olejové rukoväte sú klzké, čo spôsobuje stratu kontroly.

l) Režte len drevo. Nepoužívajte prerezávaciu pílu na neschválené účely. Napríklad: nepoužívajte prerezávaciu pílu na rezanie kovových, plastových, murovacích alebo nedrevných stavebných materiálov. Použitie prerezávacej píly na prevádzku, ktorá je odlišná od schválenej prevádzky, môže viesť k nebezpečnej situácii.

Pri odstraňovaní zaseknutého materiálu, skladovaní alebo servise prerezávacej píly dodržiavajte všetky pokyny. Skontrolujte, či je spínač vypnutý a akumulátorový článok je vytiahnutý. Neočakávané uvedenie prerezávacej píly do činnosti pri odstraňovaní zaseknutého materiálu alebo pri servise môže mať za následok vážne zranenie osôb.

Príčiny a prevencia spätného rázu pracovníka obsluhy:

Spätný ráz sa môže vyskytnúť, keď sa predná časť alebo hrot

vodiacej lišty dotkne nejakého predmetu, alebo keď sa drevo zatvorí a zovrie reťaz píly v reze.

Pri kontakte hrotu môže v niektorých prípadoch dôjsť k náhlej reverznej reakcii, vyrazeniu vodiacej lišty hore a späť do pracovníka obsluhy.

Zovretie reťaze píly pozdĺž hornej časti vodiacej lišty môže zatlačiť vodiacu lištu rýchlo späť smerom k pracovníkovi obsluhy.

Každá z týchto reakcií môže spôsobiť, že stratíte kontrolu nad pílou, čo môže mať za následok vážne zranenie osôb. Nespoliehajte sa výhradne na bezpečnostné zariadenia zabudované do vašej píly.

Ako používateľ prerezávacej píly by ste mali urobiť niekoľko krokov, aby vaša práca pri rezaní bola bez nehôd alebo zranení.

Spätný ráz je dôsledkom nesprávneho používania prerezávacej píly a/alebo nesprávnej obsluhy, resp. podmienok. Tomuto efektu možno predchádzať dodržiavaním správnych preventívnych opatrení uvedených nižšie:

a) Udržujte pevný úchyt pomocou palcov a ostatných prstov obklopujúcich rukoväť prerezávacej píly, s oboma rukami na píle a s polohou vášho tela a rúk, ktorá vám umožní odolávať silám spätného rázu. Sily spätného rázu môže kontrolovať pracovník obsluhy, ak sa vykonajú náležité opatrenia. Nespúšťajte prerezávaciu pílu.

b) Nepresiahnite a nerežte nad výškou ramien. To pomáha zabrániť neúmyselnému kontaktu hrotu a umožňuje lepšiu kontrolu prerezávacej píly v neočakávaných situáciách.

c) Používajte iba náhradné vodiace lišty a reťaze uvedené výrobcom. Nesprávne výmenné vodiace lišty a reťaze môžu spôsobiť pretrhnutie reťaze a/alebo spätný ráz.

d) Dodržujte pokyny výrobcu na ostrenie a údržbu reťaze píly. Zníženie výšky hĺbkového dorazu môže viesť k väčšiemu spätnému rázu.

ĎALŠIE BEZPEČNOSTNÉ A PRACOVNÉ POKYNY

Pri prvom používaní stroja sa odporúča rezať guľatiny na kozách alebo v kolíske na rezanie dreva.

Uväzovanie

Uväzovanie iba pomocou lán pohlcujúcich energiu. Popruh pripievňte iba k slučke lana.

Popruh nepripájajte k rukoväti, krytu vodiacej lišty ani k inému bodu nástroja.

Zabezpečte, aby boli všetky ochranné kryty, rukoväte a ozubený doraz správne namontované a boli v dobrom stave.

Osoby používajúce prerezávaciu pílu by mali byť v dobrom zdravotnom stave. Prerezávacía píla je ťažká, takže pracovník obsluhy musí byť fyzicky zdatný.

Pracovník obsluhy by mal byť ostražitý, mať dobrý zrak, pohyblivosť, rovnováhu a manuálnu zručnosť. Ak existujú pochybnosti, nepoužívajte prerezávaciu pílu.

Nezачните používať prerezávaciu pílu, kým nebudete mať čistý pracovný priestor, bezpečné postavenie a naplánovanú ústupovú cestu preč od padajúceho prúdu. Dávajte pozor na vypúšťanie mazacej hmly a vystreľovanie pilín. Ak je to potrebné, noste masku alebo respirátor.

Nerežte vinič a/alebo malý podrast.

Vždy držte prerezávaciu pílu počas prevádzky oboma rukami.

Používajte pevný úchyt pomocou palcov a ostatných prstov obklopujúcich rukoväť prerezávacej píly. Pravá ruka musí byť na zadnej rukoväti a ľavá ruka na prednej rukoväti.

Pred spustením prerezávacej píly sa uistite, že reťaz píly sa ničoho nedotýka.

Neupravujte prerezávaciu pílu žiadnym spôsobom ani nepoužívajte pre vašu prerezávaciu pílu príslušenstvo alebo zariadenia, ktoré nie sú schválené výrobcom.

Mala by byť k dispozícii v blízkosti pracovníka obsluhy súprava prvej pomoci obsahujúca veľké obvazy na rany a prostriedky na vyvolanie pozornosti (napr. píšťalka). Väčšia komplexná súprava by mala byť v rozumnej blízkosti.

Nesprávne napnutá reťaz môže vyskočiť z vodiacej lišty a spôsobiť vážne zranenia alebo smŕť. Dĺžka reťaze závisí od teploty. Pravidelne kontrolujte napnutie reťaze.

Mali by ste sa oboznámiť so svojou novou prerezávacou pílou tým, že urobíte jednoduché rezy v bezpečnej podopretom dreve. Robte to vždy aj potom, keď dlhšiu dobu nepoužívate prerezávaciu pílu. Aby ste znížili riziko zranenia spojeného s kontaktom s pohyblivými časťami, vždy zastavte motor, vyberte akumulátor a uistite sa, že sa všetky pohyblivé časti zastavili skôr, ako:

- čistením alebo odstránením zablokovania
- zanechaním stroja bez dozoru
- inštaláciou alebo odstránením príslušenstva
- kontrolou, vykonávaním údržby alebo prác na stroji

Veľkosť pracovného priestoru závisí od vykonávanej úlohy, ako aj od veľkosti príslušeného prúdu alebo obróbku. Napríklad, zriecanie prúdu si vyžaduje väčší pracovný priestor ako vykonávanie iných rezov, t.j. skrakovacích rezov, atď. Pracovník obsluhy si musí byť vedomý výšetkov, čo sa deje v pracovnom priestore a mať to pod kontrolou.

Nerežte v pozícii, keď je vaše telo v jednej línii s vodiacou lištou a reťazou. Ak dôjde k spätnému rázu, pomôže to zabrániť tomu, aby reťaz prišla do kontaktu s vašou hlavou alebo telom.

Nepoužívajte pri rezaní pohyb vpred a vzad, nechajte reťaz vykonať svoju prácu. Udržujte reťaz ostrú a nepokúšajte sa tlačiť reťaz počas rezu.

Nevyvíjajte tlak na pílu na konci rezu. Buďte pripravení zachytiť hmotnosť píly, keď už reže mimo dreva. Zlyhanie v tomto môže mať za následok vážne zranenie osôb.

Nezastavujte pílu v strede operácie rezania.

Nechajte pílu bežať, až kým nie je úplne von z rezu. Pri ručnom vedení vypínač nearetovať.

Pred každou prácou na stroji výmenný akumulátor vytiahnuť.

POZOR!

Aby ste zabránili nebezpečenstvu požiaru spôsobeného skratom, poraneniam alebo poškodeniam výrobu, neponarajte náradie, výmennú batériu alebo nabíjačku do kvapalín a postarajte sa o to, aby do zariadení a akumulátorov nevnikli žiadne tekutiny. Korodujúce alebo vodivé kvapaliny, ako je slaná voda, určité chemikálie a bieliace prostriedky alebo výrobky, ktoré obsahujú bielidlo, môžu spôsobiť skrat.

Výmenné akumulátory systému M18 nabíjať len nabíjacími zariadeniami systému M18. Akumulátory iných systémov týmto zariadením nenabíjať.

Výmenné akumulátory a nabíjacie zariadenia neatvárať a skladovať len v suchých priestoroch. Chrániť pred vlhkosťou.

Tlačiť a ťahať

Reakčná sila je vždy opačná k smeru pohybu reťaze. Preto musí byť pracovník obsluhy pripravený riadiť tendenciu stroja odiahnuť (pohyb vpred) pri rezaní na spodnom okraji lišty a tlačiť dozadu (smerom k pracovníkovi obsluhy) pri rezaní pozdĺž horného okraja.

Píla uviaznutá v reze

Zastavte prerezávaciu pílu a zabezpečte ju. Nepokúšajte sa vytiahnuť reťaz a lištu z rezu, pretože je pravdepodobné, že by došlo k pretrhnutiu reťaze, rozkývaniu a nárazu do pracovníka obsluhy. Táto situácia sa zvyčajne vyskytuje preto, že drevo je nesprávne podopreté, čo spôsobuje, že rez sa uvoľní pod tlakom, čím sa čepeľ zasekne. Ak úprava podpory neumožní tyč a reťaz, použite drevené kliny alebo páku na otvorenie rezu a uvoľnenie píly. Nikdy sa nepokúšajte našťartovať prerezávaciu pílu, keď už je vodiaca lišta v reze alebo záreze.

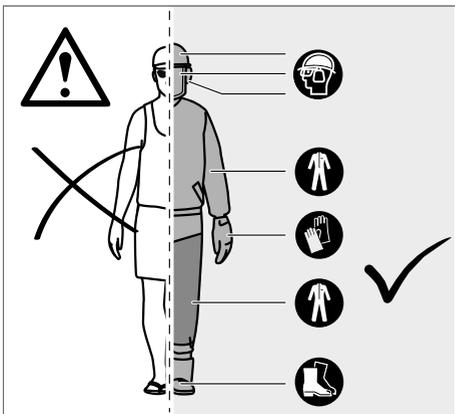
Nerovnomerný pohyb po povrchu / Nadskakovanie

Keď sa prerezávacía píla počas rezania nezareže dnu, vodiaca lišta môže začať nadskakovať alebo nebezpečne sa kĺzať pozdĺž povrchu guľatiny alebo vetvy, čo môže mať za následok stratu kontroly nad reťazovou pílou. Ak chcete zabrániť alebo znížiť nerovnomerný pohyb po povrchu alebo nadskakovanie, vždy používajte pílu oboma rukami, aby ste zaistili, že reťaz píly vytvorí drážku na rezanie. Nikdy nerežte vašou reťazovou pílou malé a pružné vetvy alebo tenké konáre. Ich veľkosť a flexibilita môžu ľahko spôsobiť, že sa píla odrazi smerom k vám alebo naakumuluje dostatočnú silu na spôsobenie spätného rázu. Najlepším nástrojom pre tento druh práce je ručná píla, záhradnícke nožnice, sekera alebo iné ručné náradie.

Osobné ochranné pomôcky

Počas prevádzky stroja nosťe vždy prilbu. Prilba vybavená sieťovým štítom môže pomôcť znížiť riziko zranenia tváre a hlavy, ak dôjde k spätnému rázu. Používajte ochranu sluchu!

Kvalitné osobné ochranné prostriedky, ktoré používajú profesionálni, pomôžu znížiť riziko zranenia pracovníka obsluhy. Pri prevádzke stroja by sa mali používať nasledujúce prostriedky:



Bezpečnostná prilba

by mala byť v súlade s EN 397 a označená CE

Ochrana sluchu

by mala byť v súlade s EN 352-1 a označená CE

Ochrana očí a tváre

by mala byť označená CE a byť v súlade s EN 166 (pre bezpečnostné okuliare) alebo EN 1731 (pre sieťové štíty)

Rukavice

by mali byť v súlade s EN381-7 a označené CE

Ochrana nôh (kožené chrániče nohavíc)

by mala byť v súlade s EN 381-5, označená CE a poskytovať všestrannú ochranu by mala byť v súlade s EN 381-5, označená CE a poskytovať všestrannú ochranu

Bezpečnostná obuv pre prerezávaciu pílu

by mala byť v súlade s ISO 20345:2004 a označená štítom, ktorý znázorňuje prerezávaciu pílu, aby sa preukázal súlad s EN 381-3. (Príležitostní používatelia môžu používať bezpečnostnú obuv s oceľovou špičkou s ochrannými gamašami, ktoré vyhovujú norme EN 381-9, ak je povrch rovinný a existuje len malé riziko poškodenia sa alebo zachytenia sa na podraštoch)

Bundy pre prerezávaciu pílu na ochranu hornej časti tela

by mali byť v súlade s EN 381-11 a označené CE

POZNAJ SVOJU PRERÉZÁVACIU PÍLU

- | | |
|------------------------------|-------------------------------|
| 1 Predná rukoväť | 11 Ozubený doraz |
| 2 Kryt prednej ruky | 12 Retaz píly |
| 3 Blokovací zariadenie | 13 Vodiaca lišta |
| 4 Spínač | 14 Drážka lišty |
| 5 Zadná rukoväť | 15 Retazový pohon |
| 6 Úzavrer maziva reťaze | 16 Kryt ozubeného kola pohonu |
| 7 Nádrž na olej na reťaze | 17 Skrutka napnutia reťaze |
| 8 Ochrana pridržiavacej ruky | 18 upevňovacia matica lišty |
| 9 Kombinovaný kľúč | 19 Kryt vodiacej lišty |
| 10 Akumulátor | |

⚠ POZOR!

Dôsledky nesprávnej údržby, odstránenia alebo úpravy bezpečnostných prvkov, spínača zapalovania, chrániča ruky (vpredu a vzadu), nárazníka s hrotmi, zachytávača reťaze, vodiacej lišty, reťaze píly s nízkym spätným rázom môžu spôsobiť nesprávne fungovanie bezpečnostných prvkov, čím sa zvýši možnosť vážneho zranenia.

Ozubený doraz

Integrovaný ozubený doraz môže byť použitý ako bod otáčania, keď sa má vykonať rez. Je užitočné stabilne držať teleso píly počas plnenia. Pri plnení tlačte stroj dopredu, až kým kovové čapy nepreniknú do hrany dreva. Keď potom zdvihnete zadnú rukoväť smerom nahor alebo nadol v smere rezu, môže sa znížiť fyzické zaťaženie plnenia.

Vodiaca lišta

Vo všeobecnosti majú vodiace lišty s hrotmi malého polomeru o niečo nižší potenciál spätného rázu. Mali by ste používať vodiacu lištu a zodpovedajúcu reťaz, ktorá je dostatočne dlhá na danú prácu. Dlhšie lišty zvyšujú riziko straty kontroly pri rezaní. Pravidelne kontrolujte napnutie reťaze. Pri rezaní menších vetiev (menej ako je celá dĺžka vodiacej lišty) je pravdepodobnejšie, že reťaz bude odhodaná, ak napätie nie je správne.

POKYNY TÝKAJÚCE SA SPRÁVNÝCH TECHNÍK PRE ZÁKLADNÉ ZRIEZANIE, OREZÁVANIE KONÁROV A PRIEREZ

Pochopenie síl pôsobiacich v dreve

Keď pochopíte smerové tlaky a namáhania vo vnútri dreva, môžete zredukovať „zovretia“ alebo ich aspoň očakávať počas rezania. Napätie v dreve znamená, že sa oddeľujú vlákna a ak režete v tejto oblasti, „zárez“ alebo rez budú mať tendenciu otvárať sa pri prechode píly. Ak je na koze na rezanie dreva podopretá guľatina a koniec je na koncoch nepodopretý, na hornej ploche sa vytvorí napätie v dôsledku váhy previsajúcej guľatiny, ktoré ťahuje vlákna. Rovnako tak bude spodná časť guľatiny pod tlakom a vlákna budú stláčané dohromady. Ak sa v tejto oblasti urobí rez, zárez bude mať tendenciu uzavrieť sa počas rezu. Tým by sa čepeľ zovrela.

Okliesnenie stromu

Okliesnenie je odstránenie konárov zotnutého stromu. Pri okliesňovaní nechajte väčšie, dole ležiacie konáre ako podpery, aby strom zostal nad zemou. Odstráňte menšie konáre jedným rezom. Konáre, ktoré sú pod napätím, by mali byť rezané zdola nahor, aby sa zabránilo zaseknutiu prerezávacjej píly.

Pílenie napätého dreva

Napäté drevo je kmeň, konár, zakorenený peň alebo výhonok, ktorý je ohnutý pod napätím iným drevom a rýchlo sa vráti späť, keď sa iné drevo reže alebo odstraňuje.

Pri stinanom strome je veľmi pravdepodobné, že zakorenený peň sa rýchlo vráti späť do svojej vzpriamenej polohy, keď sa kmeň oddelí pri skracovaní dĺžky od pňa. Dávajte pozor na napäté drevo, pretože je veľmi nebezpečné.

⚠ **POZOR!** Napäté dreva sú nebezpečné a môžu udrieť do pracovníka obsluhy, čo spôsobí, že stratí kontrolu nad prerezávacou pílu. Mohlo by to viesť k vážnemu alebo smrteľnému zraneniu pracovníka obsluhy. Toto by mali vykonávať vyškolení používatelia.

POUŽITIE PODĽA PREDPISOV

Bezšnúrová prerezávacja píla je určená iba na použitie vonku.

Z bezpečnostných dôvodov musí byť prerezávacja píla dostatočne kontrolovaná s použitím neustálej obojručnej prevádzky.

Prerezávacja píla je určená na rezanie vetiev, kmeňov, guľatiny a trámov s priemerom určeným reznou dĺžkou vodiacej lišty. Je určená len na rezanie dreva. Majú ju používať iba dospelí, ktorí absolvovali primerané školenie o nebezpečenstvách a preventívnych opatreniach/krokoch, ktoré treba vykonať počas používania prerezávacjej píly.

Nepoužívajte prerezávaciu pílu na žiadne iné účely ako tie vyššie uvedené. Nesmie sa používať v rámci profesionálnej starostlivosti o stromy. Prerezávaciu pílu nesmú používať deti ani osoby, ktoré nenosia potrebné osobné ochranné prostriedky a oblečenie.

⚠ **POZOR!** Pri používaní tejto prerezávacjej píly je potrebné dodržiavať bezpečnostné pravidlá. Pre svoju vlastnú bezpečnosť a bezpečnosť tretích osôb si pred použitím prerezávacjej píly prečítajte tieto pokyny. Mali by ste absolvovať profesionálne organizovaný kurz bezpečnosti o používaní, preventívnych opatreniach, prvej pomoci a údržbe prerezávacjej píly. Prosím, uschovajte si pokyny pre neskoršie použitie.

⚠ **POZOR!** Prerezávacie píly sú potenciálne nebezpečné nástroje. Nehody spojené s použitím prerezávacích píli často vedú k strate končatin alebo k smrti. Avšak nielen prerezávacja píla predstavuje nebezpečenstvo. Padajúce vetvy a stromy a valiaci sa guľatina môžu zabíjať. Chorobou napadnuté alebo hnilobné drevo predstavuje ďalšie nebezpečenstvo. Mali by ste posúdiť svoju schopnosť bezpečne dokončiť úlohu. Ak existujú nejaké pochybnosti, nechajte to na profesionálneho pilčíka stromov.

Tento prístroj sa smie používať len v súlade s uvedenými predpismi.

ZVÝSKOVÉ RIZIKÁ

Dokonca ani pri riadnom používaní výrobku podľa predpisov sa nedajú úplne vylúčiť zvyškové riziká. Pri používaní môžu vzniknúť nasledujúce riziká, a preto by obsluha mala dodržiavať nasledovné pokyny:

- IZranenie spôsobené vibráciami
Vždy používajte správny nástroj pre danú úlohu. Používajte určené rukoväte. Obmedzte pracovný čas a expozíciu.
- Poškodenie sluchu v dôsledku expozície hluku
Používajte ochranu sluchu a obmedzujte expozíciu.
- Zranenie spôsobené kontaktom s odkrytými pilovými zubami reťaze
- Zranenie spôsobené vyvrhnutými kusmi obrobru (drevené triesky, úlomky)
- Zranenie spôsobené prachom a časticami
- Zranenie kože spôsobené kontaktom s mazivami
- Časť vyvrhnuté z reťaze píly (nebezpečenstvo porezania/ vstrekovania)
- Nepredvídateľný, náhly pohyb alebo spätný ráz vodiacej lišty (nebezpečenstvo porezania)

ZNÍŽENÉ RIZIKÁ

- Bola vydaná správa o tom, že vibrácie z ručných nástrojov môžu prispieť k vzniku stavu nazývaného Raynaudov syndróm u niektorých jedincov. Príznaky môžu zahŕňať bremenie, znecitlivenie a blednutie prstov, zvyčajne zrejme po expozícii chladu. Zdá sa, že dedičné faktory, expozícia účinkom chladu a vlhkosti, diéta, fajčenie a pracovné postupy prispievajú k rozvoju týchto príznakov. Existujú opatrenia, ktoré môže pracovník obsluhy prijať na zníženie účinkov vibrácií:
- Majte svoje telo v teple aj v chladnom počasí. Počas práce používajte rukavice, aby ste udržovali ruky a zápästia v teple.
- Po každej pracovnej operácii si trochu zacvičte na zvýšenie krvného obehu.
- Robte si časté pracovné prestávky. Obmedzte množstvo expozície za deň.
- Ochranné rukavice, ktoré sú k dispozícii od profesionálnych maloobchodníkov s prerezávacími píliami, sú navrhnuté špeciálne pre použitie prerezávacjej píly a poskytujú ochranu, dobré uchopenie a tiež znižujú vplyv vibrácií rukoväť. Tieto rukavice by mali vyhovovať norme EN 381-7 a musia mať označenie CE.

Ak sa u vás vyskytnú ktorýkoľvek z príznakov tohto stavu, ihneď prerušte používanie a navštívte svojho lekára.

⚠ **POZOR!** Zranenia môžu byť spôsobené alebo zhoršené dlhodobým používaním nástroja. Ak používate akýkoľvek nástroj predĺženú dobu, zaistíte, aby ste si robili pravidelné prestávky.

UPOZORNENIE NA LÍTIUM-IÓNOVÉ BATÉRIE

Použitie lítium-iónových batérií

Dlhší čas nepoužívanie výmenné akumulátory pred použitím dobíť.

Teplota vyššia ako 50°C znižuje výkon výmenného akumulátora. Zabráňte dlhšiemu ohriatiu slnkom alebo kúrením.

Prípadné kontakty na nabíjacom zariadení a výmennom akumulátore udržiavať čisté.

Pre optimálnu životnosť je nutné akumulátory po použití plne dobíť.

K zabezpečeniu dlhej životnosti by sa akumulátory mali po nabíť vybrať z nabíjacieho.

Pri skladovaní akumulátora po dobu dlhšiu než 30 dní:

Akumulátor skladujte pri teplote nižšej ako 27 °C a mimo dosahu vlhkosti

Skladujte akumulátor pri cca 30%-50% nabíjacej kapacity.

Opakujte nabíjanie akumulátora každých 6 mesiacov.

Ochrana proti preťaženiu pri lítium-iónových batériách

Pri preťažení akumulátora príliš vysokou spotrebou prúdu, napríklad pri extrémne vysokom krútiacom momente, začne elektrické náradie po dobu 5 sekúnd vibrovať, indikátor dobijania začne blikať a motor sa následne samočinne vypne.

K opätovnému zapnutiu uvoľníte a následne opäť stlačíte tlačidlovú vypínač. Pri extrémnom zaťažení dochádza k príliš vysokému ohrevu akumulátora. V tomto prípade začnú blikať všetky kontrolky indikátora dobijania a blikať tak dlho, dokiaľ sa akumulátor opäť neochladí. V okamihu, keď indikátor dobijania prestane blikať, je možné v práci opäť pokračovať.

Preprava lítiovo-iónových batérií

Lítiovo-iónové batérie podľa zákonných ustanovení spadajú pod prepravu nebezpečného nákladu.

Preprava týchto batérií sa musí realizovať s dodržiavaním lokálnych, vnútroštátnych a medzinárodných predpisov a ustanovení.

Spotrebiteľia môžu tieto batérie bez problémov prepravovať po cestách.

Komerčná preprava lítiovo-iónových batérií prostredníctvom špedičných firiem podlieha ustanoveniam o preprave nebezpečného nákladu. Prípravu k vyxpedovaniu a samotnú prepravu smú vykonávať iba adekvátne vyškolené osoby. Na celý proces sa musí odborné dohliadať.

Pri preprave batérií treba dodržiavať nasledovné:

Zabezpečte, aby boli kontakty chránené a izolované, aby sa zamedzilo skratom.

Dávajte pozor na to, aby sa zväzok batérií v rámci balenia nemohol zošmyknúť. Poškodené a vytečené batérie sa nesmú prepravovať. Kvôli ďalším informáciám sa obráťte na vašu špedičnú firmu.

NAPOTKI ZA DELO

MONTÁŽ

Montáž reťaze píly a vodiacej lišty

⚠ **POZOR!** Ak sú niektoré časti poškodené alebo chýbajú, nepoužívajte stroj, kým sa časti nevymenia. Nedodržanie tohto varovania môže spôsobiť vážne zranenie osôb.

Nezabudnite odstrániť akumulátor. Používajte ochranné rukavice!

1. Odstráňte montážne matice lišty s použitím dodaného kombinovaného kľúča.
2. Odstráňte kryt reťaze.
3. Nasadte reťaz v správnom smere na lištu a presvedčte sa, že vodiace články sú zarovnané v drážke lišty.
4. Pripojte lištu k prerezávacjej pile a ověřte reťaz okolo hnacieho ozubeného kola.
5. Vymeríte kryt reťaze a montážne matice lišty.
6. Rukou priskrutkujte montážne matice lišty. Lišta sa musí voľne pohybovať pri nastavení napnutia reťaze.
7. Nastavte napnutie reťaze. Pozri časť „Nastavenie napnutia reťaze“.
8. Držte hrot vodiacej lišty hore a bezpečne utiahnite montážne matice lišty.

⚠ **POZOR!** Retaz píly je ostrá. Pri údržbe reťaze vždy používajte ochranné rukavice.

Nastavenie napnutia reťaze

Pri vykonávaní akýchkoľvek prác na prerezávacej pile vyberte akumulátorový článok.

Na zvýšenie napnutia reťaze otočte napínaciu skrutku reťaze v smere hodinových ručičiek a často kontrolujte napnutie reťaze. Na zníženie napnutia reťaze otočte napínaciu skrutku reťaze proti smeru hodinových ručičiek a často kontrolujte napnutie reťaze.

Napnutie reťaze je správne, keď je medzera medzi rezacou časťou v reťazi a lištou približne 6,8 mm. Potiahnite reťaz v strede spodnej strany lišty smerom nadol (preč od lišty) a zmerajte vzdialenosť medzi lištou a rezacími časťami reťaze. Upevnite montážne matice lišty otočením proti smeru hodinových ručičiek.

Poznámka: Nepreťažujte reťaz - nadmerné napnutie spôsobí nadmerné opotrebenie a zníži životnosť reťaze a môže poškodiť lištu. Počas úvodného používania by sa nové reťaze mohli roztrhnúť a uvoľniť. Počas prvých dvoch hodín používania vyberte akumulátorový článok a často kontrolujte napnutie reťaze. Teplota reťaze sa počas bežnej prevádzky zvyšuje, čím sa reťaz roztrhne. Kontrolujte často napnutie reťaze a podľa potreby upravte. Reťaz napnutá za tepla môže byť pri ochladení príliš tesná. Uistite sa, že napnutie reťaze je správne nastavené tak, ako je uvedené v tomto návode.

Pridanie mazacieho oleja reťaze

POZOR! Nikdy nepracujte bez maziva reťaze. Ak reťaz pily pracuje bez maziva, môže dôjsť k poškodeniu vodiacej lišty a reťaze pily. Je nevyhnutné často kontrolovať hladinu oleja v ukazovateľi hladiny oleja a pred začatím používania prerezávacej pily nádržku udržiavajte naplnenú na viac ako ¼ objemu, aby ste zaistili dostatok oleja pre danú úlohu.

Poznámka: Pri prerezávaní stromov sa odporúča použiť reťazový olej na rastlinnej báze. Minerálny olej môže poškodiť stromy. Nikdy nepoužívajte odpadový olej, automobilový olej alebo veľmi husté oleje. Mohlo by dôjsť k poškodeniu prerezávacej pily. Vyčistite povrch okolo uzáveru oleja, aby ste zabránili znečisteniu.

1. Odskrutkujte a odstráňte uzáver z olejovej nádrže.
2. Olej nalejte do olejovej nádrže a sledujte ukazovateľ hladiny oleja.
3. Uzáver oleja dajte naspäť a utiahnite. Utrite akékoľvek rozliatie.

Držanie prerezávacej pily

Vždy držte prerezávaciu pílu pravou rukou na zadnej rukoväti a ľavou rukou na prednej rukoväti. Uchopte obidve rukoväte palcami a ostatnými prstami obopínajúcimi rukoväte.

Štartovanie prerezávacej pily

Pred spustením by ste mali do prerezávacej pily vložiť akumulátor.

Ochrana proti opätovnému spusteniu

Elektrické náradie sa dodáva s ochranou proti opätovnému spusteniu.

Toto zabraňuje zapnutému elektrickému náradiu, aby sa samo od seba spustilo, keď je akumulátor vložený a zabraňuje opätovnému spusteniu po funkcii vypnutia akumulátora.

Ak vodiaca lišta nie je v kontakte s drevom, stroj vypnite a potom ho znova zapnite, aby sa mohlo pokračovať v práci.

Ak je vodiaca lišta v kontakte s drevom, počkajte, kým sa reťaz pily úplne zastavi. Uistite sa, že je spínač vo vypnutej polohe. Vyberte akumulátor zo stroja a vodiacu lištu z rezu. Vložte akumulátor a potom stroj znova zapnite, aby sa mohlo pokračovať v práci.

PREPRAVA A SKLADOVANIE

Pri skladovaní vždy zľahka namažte reťaz olejom, aby ste zabránili vzniku hrdze. Pri skladovaní vždy vyprázdňte olejovú nádrž, aby ste predišli úniku.

Zastavte stroj, vyberte batériu a nechajte vychladnúť pred uskladnením alebo prepravou.

Vyčistite všetky cudzie materiály zo stroja. Stroj uchovávajte na chladnom, suchom a dobre vetranom mieste, ktoré je deťom nedostupné. Uchovávajte mimo dosahu korozívnych látok, ako sú napríklad záhradné chemikálie a odmravzovacie soli. Neskladujte vonku.

Pred uskladnením stroja alebo počas prepravy namontujte kryt vodiacej lišty.

Pri preprave vo vozidlách zaistíte stroj proti pohybu alebo pádu, aby nedošlo k zraneniu osôb alebo k poškodeniu stroja.

ČISTENIE

Vyčistite prach a úlomky z otvorov. Rukoväť udržiavajte čistú, suchú a bez oleja alebo masntoty. Na čistenie používajte iba jemné mydlo a navlhčenú tkaninu, pretože niektoré čistiace prostriedky a rozpúšťadlá škodia plastom a iným izolovaným časťami. Niektoré z nich sú benzín, terpentín, riedidlo na lak, riedidlo na farby, chlórované čistiace rozpúšťadlá, amoniak a čistiace prostriedky pre domácnosť obsahujúce amoniak. Nikdy nepoužívajte horľavé alebo zápalné rozpúšťadlá okolo náradia.

ÚDRZBA

POZOR! Používať len Milwaukee príslušenstvo a Milwaukee náhradné diely. Ak tak neurobíte, môže to spôsobiť možné zranenie, príspeť k slabému výkonu a môže urobiť vašu záruku neplatnou.

Používať len Milwaukee príslušenstvo a Milwaukee náhradné diely. Súčiastky bez návodu na výmenu treba dať vymeniť v jednom z Milwaukee zákaznických centier (viď brožúru Záruka/Adresy zákaznických centier).

POZOR! Servis vyžaduje mimoriadnu starostlivosť a vedomosti a mal by byť vykonávaný len kvalifikovaným servisným technikom. Pre servis odporúčame, aby ste stroj priniesli do najbližšej servisnej stanice MILWAUKEE na vykonanie opravy. Pri servise používajte iba identické náhradné diely.

POZOR! Pred nastavením, údržbou alebo čistením vyberte batériu. Zlyhanie v tomto môže mať za následok vážne zranenie osôb. Môžete vykonať iba nastavenia alebo opravy opísané v tomto manuáli. Pri iných opravách sa obráťte na autorizovaného servisného zástupcu.

Dôsledky nesprávnej údržby môžu spôsobiť, že brzda reťaze a ďalšie bezpečnostné prvky nebudú fungovať správne, čím sa zvyšuje potenciál vážneho zranenia.

Majte svoju prerezávaciu pílu profesionálne udržiavanú a bezpečnú. • Bezpečné naostrenie reťaze je úloha vyžadujúca zručnosti. Preto výrobca dôrazne odporúča, aby bola opotrebovaná alebo tupá reťaz nahradená novou, dostupnou u vášho servisného zástupcu spoločnosti MILWAUKEE. Číslo dielu je k dispozícii v tabuľke špecifikácií výrobku v tejto príručke.

Postupujte podľa pokynov na mazanie a kontrolu a nastavenie napnutia reťaze.

Po každom použití stroj vyčistite mäkkou suchou handričkou.

Odstráňte všetky triesky, nečistoty a úlomky v úložisku batérie.

Kontrolujte všetky matice a skrutky v pravidelných intervaloch z hľadiska bezpečnosti, aby ste zaistili, že stroj je v bezpečnom prevádzkovom stave. Ktorákoľvek poškodená časť by mala byť riadne opravená alebo vymenená servisnou stanicou MILWAUKEE.

Výmena vodiacej lišty a reťaze pily

Noste ochranné rukavice.

1. Vyberte akumulátor
2. Odstráňte kryt vodiacej lišty
3. Odstráňte montážne matice lišty s použitím dodaného kombinovaného kľúča.
4. Odstráňte kryt reťaze.
5. Znížte napnutie reťaze pily. Pozrite si časť „Nastavenie napnutia reťaze“.
6. Odstráňte starú reťaz vrátane vodiacej lišty
7. Nasadte novú reťaz v správnom smere na lištu a presvedčte sa, že vodiace články sú zarovnané v drážke lišty.
8. Pripojte lištu k prerezávacej pile a oviňte reťaz okolo hnacieho ozubeného kolesa.
9. Namontujte späť kryt hnacieho ozubeného kolesa a montážnu maticu lišty.
10. Upevňovaciu maticu lišty dotiahnite prstom.
11. Pre nastavenie napnutia reťaze sa musí lišta voľne pohybovať.

12. Nastavte napnutie reťaze. Pozri časť „Nastavenie napnutia reťaze“.

13. Držte hrot vodiacej lišty hore a bezpečne utiahnite montážne matice lišty.

POZOR! Tupá alebo nesprávne naostrená reťaz môže počas rezania spôsobiť nadmerné otáčky motora, čo môže viesť k vážnemu poškodeniu motora.

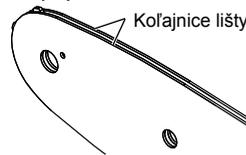
POZOR! Nesprávne naostrenie reťaze zvyšuje potenciál spätného rázu.

POZOR! Zanedbanie výmeny alebo opravy poškodenej reťaze môže spôsobiť vážne zranenie.

POZOR! Reťaz pily je ostrá. Pri údržbe reťaze vždy používajte ochranné rukavice.

Údržba vodiacej lišty

Keď vodiaca lišta vykazuje známky opotrebovania, otočte vodiacu lištu na pile zdola nahor, aby sa opotrebenie rozložilo pre maximálnu životnosť lišty. Lišta by sa mala čistiť každý deň používania a mala by byť kontrolovaná, či nie je opotrebovaná a poškodená. Odieranie alebo otrepanie kofajnic lišty je normálny proces opotrebovania lišty. Takéto chyby by sa mali vyhladiť pomocou pilníka hneď, ako sa vyskytnú.



Lišta s niektorou z nasledujúcich porúch by sa mala vymeniť.

- Opotrebenie vo vnútri kofajnic lišty umožňuje, aby sa reťaz preklpila do strán.
- Ohnutá vodiaca lišta.
- Prasknuté alebo zlomené kofajnice.
- Roztrhnuté kofajnice.

Vodiace lišty s ozubeným kolieskom na ich špičke namažte každý týždeň pomocou injekčnej striekačky namažte mazací otvor každý týždeň. Otočte vodiacu lištu a skontrolujte, či sú mazacie otvory a lišty bez nečistôt.

Plán údržby

Denná kontrola

Mazanie lišty	Pred každým použitím
Napnutie reťaze	Pred každým použitím a častejšie
Ostrosť reťaze	Pred každým použitím, vizuálna kontrola
Pre poškodené časti	Pred každým použitím
Pre uvoľnené upevňovacie prostriedky	Pred každým použitím
Vodiaca lišta	Pred každým použitím
Kompletná píla	Po každom použití

Náhradné diely (Lišta a reťaz)

Výrobca	MILWAUKEE	OREGON
Reťaz	4932 4801 76	90F033XTR
Vodiaca lišta	4932 4801 69	360804

Reťaz musí byť vybavená lištou od toho istého výrobcu podľa vyššie uvedených kombinácií.

Montážny rozvrhový pohľad

Pri udaní typu stroja a čísla nachádzajúceho sa na štítku dá sa v prípade potreby vyžadovať explozívna schéma prístroja od vášho zákaznického centra alebo priamo v Techtronic Industries GmbH, Max-Eyth-Straße 10, 71364 Winnenden, Germany.

SYMBOLY

	Pred prvým použitím prístroja si pozorne prečítajte návod na obsluhu.
	POZOR! NEBEZPEČENSTVO!
	Pred každou prácou na stroji vymenný akumulátor vytiahnuť.
	Nevystavujte stroj dažďu.
	Nepoužívajte len s jednou rukou
	Vždy používajte prerezávaciu pílu s dvoma rukami
	Používajte bezpečnostnú obuv s ochranou proti porazeniu, hrubou podrážkou a oceľovou špičkou!
	Používajte ochranné rukavice!
	Noste vždy ochranný odev a pevnú obuv.
	Noste ochrannú prilbu. Používajte ochranu sluchu! Používajte ochranné okuliare.
	Dávajte pozor na spätný ráz prerezávacia pily a vyhýbajte sa kontaktu s hrotom lišty
	Počas používania udržiajte okolostojace osoby vo vzdialenosti najmenej 15 metrov.
	Nádrž na olej na reťaze
	Otočením nastavte napnutie reťaze
	Smer chodu reťaze
	Príslušenstvo - nie je súčasťou štandardnej výbavy, odporúčané doplnenie z programu príslušenstva.



Použité batérie a odpad z elektrických a elektronických zariadení sa nesmie likvidovať spolu s domovým odpadom. Použité batérie a odpad z elektrických a elektronických zariadení treba zbierať a likvidovať oddelene. Pred likvidáciou odstráňte zo zariadení použité batérie, použité akumulátory a osvetľovacie prostriedky. Informujte sa pri miestnych úradoch alebo u vášho odborného predajcu ohľadom recyklačných dvorov a zberných miest. Podľa miestnych ustanovení môžu maloobchodní predajcovia byť povinní bezplatne zobrať späť použité batérie a odpad z elektrických a elektronických zariadení. Opätovným použitím a recykláciou vašich použitých batérií a vášho odpadu z elektrických a elektronických zariadení prispievate k zníženiu potreby surovín. Použité batérie (predovšetkým lítium-iónové batérie), odpad z elektrických a elektronických zariadení obsahuje cenné, opätovne použiteľné materiály, ktoré pri ekologickej likvidácii nemôžu mať negatívne účinky na životné prostredie a vaše zdravie. Pred likvidáciou podľa možnosti vymažte na vašom použítoom prístroji existujúce osobné údaje.



Garantovaná hladina akustického výkonu 79 dB(A)



Retazová rýchlosť v nezaťaženom stave



Napätie



Jednosmerný prúd



Značka zhody v Európe



Značka zhody v Británii



Značka zhody na Ukrajine



Značka zhody pre oblasť Eurázie

DANE TECHNICZNE

M18 FHS20

Typ	piła ogrodowa
Numer produkcyjny	4916 50 01 XXXXXX MJJJ
Napięcie baterii akumulatorowej	18 V \equiv
Prędkość łańcucha bez obciążenia	4,8 m/s
Długość prowadnicy maks.	8" / 200 mm
Użytkowa długość cięcia	7,4" / 189 mm
Pojemność zbiornika oleju do piły	77 ml
Ciężar wg procedury EPTA 01/2014 01/2014 (Li-Ion 2.0 Ah ... 12.0 Ah)	2,8 kg ... 3,9 kg
Zalecana temperatura otoczenia w trakcie eksploatacji	-18 ... +50 °
Zalecane zestawy akumulatorowe	M18B...; M18HB...
Zalecane ładowarki	M12-18...; M1418C6

Informacja dotycząca szumów: Zmierzone wartości wyznaczone zgodnie z normą EN 62841. Poziom szumów urządzenia oszacowany jako A wynosi typowo:

Poziom ciśnienia akustycznego / Niepewność K=	81 dB (A) / 3 dB (A)
Poziom mocy akustycznej / Niepewność K=	89 dB (A) / 3 dB (A)

Należy używać ochroniaczy uszu!

Informacje dotyczące wibracji: Wartości łączne drgań (suma wektorowa trzech kierunków) wyznaczone zgodnie z normą EN 62841

Wartość emisji drgań a_w / Niepewność K=	4,9 m/s ² / 1,5 m/s ²
--	---

⚠️ OSTRZEŻENIE!

Poziom drgań i emisji hałasu podany w niniejszej instrukcji zmierzono zgodnie ze standardową metodą badania wg EN 62841 i można ją wykorzystać do porównania narzędzia z innym narzędziem. Można go wykorzystać przy wstępnej ocenie narażenia.

Deklarowany poziom emisji drgań i hałasu reprezentuje główne zastosowania narzędzia. Jeśli jednak narzędzie jest używane do różnych zastosowań, z różnymi akcesoriami lub w przypadku nieprawidłowej konserwacji, emisja drgań i hałasu może się różnić. Może to znacznie zwiększyć poziom narażenia w całym okresie eksploatacji narzędzia.

Oszacowanie poziomu narażenia na wibracje i hałas powinno również uwzględniać czasy, kiedy narzędzie jest wyłączone lub kiedy jest włączone, ale nie pracuje. Może to znacznie obniżyć poziom ekspozycji w całym okresie eksploatacji narzędzia.

Należy zidentyfikować dodatkowe środki bezpieczeństwa w celu ochrony operatora drgań i/lub hałasu, takie jak: utrzymywanie narzędzia i akcesoriów w nienagannym stanie, utrzymywanie ciepła rąk, organizacja pracy.

Stosować środki ochrony słuchu! Narażenie na hałas może spowodować utratę słuchu.

⚠️ OSTRZEŻENIE! Przeczytać wszystkie wskazówki bezpieczeństwa, instrukcje, ilustracje i dane dołączone do urządzenia. Jeśli nie będą przestrzegane następujące przepisy, może dojść do porażenia prądem, pożaru i/lub ciężkich obrażeń ciała.
Należy starannie przechowywać wszystkie przepisy i wskazówki bezpieczeństwa dla dalszego zastosowania.

OGÓLNE OSTRZEŻENIA DOTYCZĄCE BEZPIECZNEJ EKSPLOATACJI PIŁY OGRODOWEJ

- Podczas pracy utrzymywać wszystkie części ciała z dala od piły ogrodowej. Przed włączeniem piły ogrodowej upewnić się, że łańcuch piły niczego nie dotyka. Moment nieuwagi podczas eksploatacji piły ogrodowej może spowodować pochwylenie elementów ubrania lub części ciała przez łańcuch piły.
- Zawsze trzymać piłę w prawej ręce za tylny uchwyt, jednocześnie trzymając lewą ręką za przedni uchwyt. Trzymanie piły ogrodowej w odwrotny sposób zwiększa ryzyko urazu i nie należy go stosować.
- Trzymać piłę ogrodową tylko za izolowane powierzchnie, ponieważ łańcuch piły może wejść w kontakt z ukrytymi przewodami elektrycznymi. Wejście łańcucha piły w kontakt z przewodem będącym pod napięciem może spowodować, że zewnętrzne metalowe części piły znajdują się pod napięciem, stanowiąc dla operatora ryzyko porażenia prądem.
- Nosić osłonę na oczy. Zalecane jest noszenie sprzętu do ochrony słuchu, głowy, ramion, nóg i stóp. Odpowiedni sprzęt ochronny zmniejszy obrażenia ciała spowodowane latającymi odłamkami lub przypadkowym kontaktem z łańcuchem piły.
- Nie używać piły ogrodowej na drzewie, na drabinie, na dachu lub na niestabilnym podłożu. Obsługa piły ogrodowej w ten sposób może spowodować poważne obrażenia ciała.
- Zawsze utrzymywać prawidłową postawę i obsługiwać piłę ogrodową tylko stojąc na stabilnej, bezpiecznej i poziomej powierzchni. Śliskie lub niestabilne powierzchnie mogą powodować

utratę równowagi lub kontroli nad piłą ogrodową.

g) Przy cięciu naprężonych gałęzi należy uważać na sprężynowanie powrotne. Po zwolnieniu naprężenia włókien drewna naprężona gałąź może uderzyć operatora i/lub spowodować utratę kontroli nad piłą.

h) Należy zachować szczególną ostrożność przy przycinaniu krzewów i młodych drzewek. Giętki materiał może pochwylić łańcuch piły, odbić w kierunku operatora i spowodować wytrącenie go z równowagi.

i) Nosić piłę ogrodową za przedni uchwyt w wyłączonym stanie i za dala od ciała. Podczas transportu i przechowywania należy zawsze zakładać osłonę prowadnicy. Właściwa obsługa piły ogrodowej zmniejsza prawdopodobieństwo przypadkowego kontaktu z pracującym łańcuchem piły.

j) Postępować zgodnie z instrukcjami smarowania, naprężania łańcucha i wymiany prowadnicy i łańcucha. Nieprawidłowo naprężony lub nasmarowany łańcuch może pęknąć lub zwiększyć ryzyko odrzutu.

k) Uchwyty utrzymywać w stanie suchym, niezabrudzonym olejem ani smarem. Uchwyty zabrudzone smarem, olejem mogą wyślizgnąć się z dłoni powodując utratę kontroli nad piłą.

l) Urządzenie służy tylko do cięcia drewna. Nie używać piły ogrodowej do celów, do których nie jest przeznaczona. Na przykład: do cięcia metalu, tworzyw sztucznych, muru i niedrewnianych materiałów budowlanych. Użycie piły ogrodowej do celów innych niż przewidziane może spowodować wystąpienie sytuacji niebezpiecznych.

Podczas usuwania zakleszczonego materiału, przechowywania lub serwisowania piły ogrodowej należy przestrzegać wszystkich instrukcji. Upewnić się, że przełącznik jest wyłączony, a bateria usunięta. Nieoczekiwane uruchomienie piły ogrodowej podczas usuwania zakleszczonego materiału lub serwisowania może spowodować poważne obrażenia ciała.

Przyczyny i środki zapobiegawcze operatora w przypadku odrzutu:

Odrzut może wystąpić, gdy końcówka prowadnicy dotknie obiektu lub pod koniec cięcia, gdy drzewo dociska łańcuch piły podczas cięcia.

Kontakt z końcówką piły może w niektórych przypadkach spowodować reakcję odwrotną, powodując nagły odrzut w górę i w kierunku operatora.

Zaciśnięcie łańcucha piły przy końcówce prowadnicy może spowodować nagły odrzut piły w kierunku operatora.

Każda z tych reakcji może spowodować utratę kontroli nad piłą, co może zakończyć się poważnymi obrażeniami ciała. Nie wolno polegać wyłącznie na urządzeniach zabezpieczających wbudowanych do piły.

Jako operator piły ogrodowej należy podjąć kilka czynności, mających na celu wyeliminowanie wypadku lub urazu podczas cięcia.

Odrzut jest wynikiem nieprawidłowego użycia piły ogrodowej i/lub nieprawidłowych procedur lub warunków pracy i można mu zapobiec przez zastosowanie odpowiednich środków opisanych poniżej:

a) Należy mocno trzymać elektronarzędzie, zaciskając kciuki wokół uchwytów piły i trzymając piłę obiema rękami, ustawić swoje ciało i ramię tak, aby przeciwdziałać siłom odrzutu. Operator może kontrolować siły odrzutu, stosując odpowiednie środki zapobiegawcze. Nigdy nie wypuszczać z ręki piły ogrodowej.

b) Nie sięgać urządzeniem za daleko ani nie wykonywać cięć ponad wysokością ramion. Pozwoli to zapobiec niezamierzonemu kontaktowi z końcówką piły i zapewni lepszą kontrolę nad piłą ogrodową w nieoczekiwanych sytuacjach.

c) Używać tylko prowadnic i łańcuchów zamiennych określonych przez producenta. Nieprawidłowe prowadnice i łańcuchy zamienne mogą spowodować pęknięcie łańcucha i/lub odrzut piły.

d) Należy przestrzegać instrukcji producenta dotyczących ostrzenia i konserwacji łańcucha piły. Zmniejszenie wysokości głębościomierza może prowadzić do zwiększenia siły odrzutu.

DODATKOWE WSKAZÓWKI BEZPIECZENSTWA I INSTRUKCJE ROBOCZE

Używając urządzenia po raz pierwszy zaleca się przecinanie kłód drewna na koźle lub stojaku do cięcia drewna.

Mocowanie

Mocowanie wyłącznie za pomocą karabińczyków pochłaniających energię. Przypnuciu pasek mocujący tylko do pętli smyczy.

Nie zacczepiać paska mocującego na uchwycie, pokrywie prowadnicy ani o inne części narzędzia.

Upewnić się, że wszystkie ostony, uchwyty i przypora zębata są prawidłowo zamocowane i w dobrym stanie.

Osoby korzystające z piły ogrodowej powinny być w dobrym stanie zdrowia. Piła do gałęzi jest ciężka, więc operator musi być sprawny fizycznie.

Operator powinien być czujny, mieć dobry wzrok, posiadać mobilność, równowagę i zręczność manualną. W razie wątpliwości nie obsługiwać piły.

Przed rozpoczęciem pracy z użyciem piły ogrodowej należy przygotować czyste miejsce do pracy, przyjąć bezpieczną postawę i wyznaczyć planowaną ścieżkę ewakuacji względem spadającego drzewa. Unikać emisji mgły olejowej i trocin. W razie potrzeby nosić osłonę twarzy lub maskę oddechową.

Nie ciąć pnączy i/lub niskiego podszycia leśnego.

Podczas pracy zawsze trzymać piłę ogrodową obiema rękami. Pewnie chwycić piłę, zaciskając kciuki i palce wokół uchwytów piły ogrodowej. Prawa ręka musi znajdować się na tylnym uchwycie, a lewa na przednim.

Przed włączeniem piły ogrodowej upewnić się, że łańcuch piły niczego nie dotyka.

Nie należy modyfikować piły ogrodowej w jakikolwiek sposób ani nie używać jej do zasilania akcesoriów lub urządzeń niezalecanych przez producenta do użytku z piłą ogrodową.

Operator powinien posiadać w pobliżu zestaw pierwszej pomocy zawierający opatrunki na duże rany i środek do przyciągnięcia uwagi (np. gwizdek). Większy, szerzej wyposażony zestaw powinien znajdować się w pobliżu.

Długość łańcucha zależy od temperatury. Kontrola hamulca łańcucha. Nieprawidłowo napięty łańcuch może wyskoczyć z prowadnicy i spowodować poważne obrażenia a nawet śmierć.

Należy się zapoznać z nową piłą ogrodową, wykonując proste cięcia w bezpiecznie podpartym drewnie. Czynność tę należy powtarzać zawsze po dłuższym nieużywaniu piły ogrodowej. Aby zmniejszyć ryzyko obrażeń związanych z kontaktem z ruchomymi częściami, należy zawsze zatrzymać silnik, wyjąć baterię i upewnić się, że wszystkie ruchome części zatrzymały się przed:

- czyszczeniem lub odblokowaniem
- pozostawieniem urządzenia bez nadzoru
- instalacją lub deinstalacją akcesoriów
- kontrolą, konserwacją lub eksploatacją urządzenia

Rozmiar obszaru roboczego zależy od wykonywanego zadania, a także od rozmiaru drzewa lub obrabianego przedmiotu. Na przykład ścinanie drzewa wymaga większego obszaru roboczego niż wykonywanie innych cięć, np. przecinanie dźwigni na kłody itp. Operator musi mieć świadomość i kontrolować wszystko, co dzieje się w obszarze roboczym.

Nie wykonywać cięć z prowadnicą i łańcuchem ułożonymi wzdłuż ciała. W razie wystąpienia odrzutu pozwoli to zapobiec urazom głowy lub ciała operatora przez kontakt z łańcuchem.

Nie wykonywać ruchów piłą w przód i w tył podczas cięcia. Utrzymać łańcuch w ostrym stanie i nie dociskać łańcucha podczas wykonywania cięcia.

Nie dociskać piły przy końcu cięcia. Przygotować się na utrzymanie masy piły po wyjściu z przecinanego drewna. Nieprzestrzeganie powyższych zasad może doprowadzić do ewentualnych poważnych obrażeń ciała.

Nie zatrzymywać piły w trakcie cięcia.

Piła powinna być włączona aż do momentu zakończenia cięcia. Nie blokować wyłącznika w pozycji "on" ("włączony") przy pracy z piłą trzymaną w rękach.

Przed przystąpieniem do jakichkolwiek prac na elektronarzędziu należy wyjąć wkładkę akumulatorową.

OSTRZEŻENIE! Aby uniknąć niebezpieczeństwa pożaru, obrażeń lub uszkodzeń produktu na skutek zwarcia, nie wolno zanurzać narzędzia, akumulatora wymiennego ani ładowarki w cieczach i należy zatroszczyć się o to, aby do urządzeń i akumulatorów nie dostały się żadne cieczce. Zwarcie spowodować mogą korojujące lub przewodzące cieczce, takie jak woda morska, określone chemikalia i wybielacze lub produkty zawierające wybielacze.

Akumulatory Systemu M18 należy ładować wyłącznie przy pomocy ładowarek Systemu M18. Nie ładować przy pomocy tych ładowarek akumulatorów innych systemów.

Nie otwierać wkładek akumulatorowych i ładowarek. Przechowywać w suchych pomieszczeniach. Chronić przed wilgocią.

Siła ciągnąca i pchająca podczas cięcia

Siła reakcji jest zawsze przeciwna do kierunku ruchu łańcucha. Dlatego operator musi być gotowy do kontrolowania tendencji do ciągnięcia piły (ruch do przodu) podczas cięcia dolną krawędzią prowadnicy i pchania do tyłu (w kierunku operatora) podczas cięcia wzdłuż górnej krawędzi prowadnicy.

Zakleszczenie piły podczas cięcia

Zatrzymać i zabezpieczyć piłę ogrodową. Nie próbować dociskać łańcucha i prowadnicy ze strefy cięcia, ponieważ może to spowodować przerwanie łańcucha, który może się odskoczyć do tyłu i uderzyć operatora. Taka sytuacja zwykle występuje, ponieważ drewno jest nieprawidłowo podparte, co powoduje zakończenie cięcia pod naciskiem, ściskając ostrze. Jeśli regulacja podpory nie zwalnia prowadnicy i łańcucha, użyć drewnianych klinów lub dźwigni, aby rozszerzyć miejsce cięcia i zwolnić piłę. Nigdy nie uruchamiać piły ogrodowej, gdy prowadnica jest już nacięciem lub rżnię.

Ślizganie / odskakiwanie piły

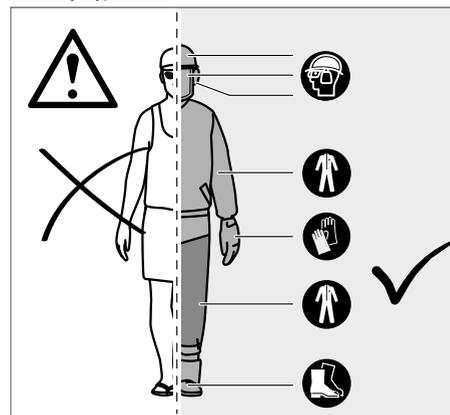
Jeśli piła ogrodowa nie zagłębia się podczas wykonywania cięcia, prowadnica może podskakiwać lub niebezpiecznie ślizgać się wzdłuż powierzchni kłody lub gałęzi, powodując prawdopodobnie utratę kontroli nad piłą. Aby zapobiec lub zredukować ślizganie lub podskakiwanie należy zawsze trzymać piłę oburącz i upewnić

się, że powstał rowek do wejścia piły. Nigdy nie przecinać małych, elastycznych gałązek lub krzaków przy użyciu piły łańcuchowej. Może to spowodować odbicie wsteczne piły w kierunku operatora lub zakleszczenie o silę wystarczającej do odrzutu piły. Najlepszym narzędziem do tego typu prac jest piła ręczna, nożyce ogrodnicze, siekiera lub inne narzędzia.

Osobiste wyposażenie ochronne

Używając maszyny należy zawsze nosić helm. Helm wyposażony w wizjer siatkowy może pomóc zmniejszyć ryzyko urazu twarzy i głowy w razie odrzutu piły. Należy używać ochroniaczy uszu!

Dobrej jakości osobiste wyposażenie ochronne, jakiego używają profesjonalści, pomoże zmniejszyć ryzyko urazu operatora. Podczas obsługi piły łańcuchowej należy nosić następujące elementy wyposażenia:



Hełm bezpieczeństwa

powinien być zgodny z EN 397 i posiadać oznakowanie CE

Ochrona słuchu

powinna być zgodna z EN 352-1 i posiadać oznakowanie CE

Ostona oczu i twarzy

powinna posiadać oznakowanie CE i być zgodna z EN 166 (dla okularów ochronnych) lub EN 1731 (dla wizjerów siatkowych)

Rękawice

powinny być zgodne z EN381-7 i posiadać oznakowanie CE

Ochrona nóg (ochraniacze)

powinna być zgodna z EN 381-5 i posiadać oznakowanie CE i zapewniać pełną ochronę piętą piły zgodną z EN 381-5 i posiadać oznakowanie CE i zapewniać pełną ochronę

Obuwi ochronne do pracy z użyciem piły ogrodowej

powinno być zgodne z EN ISO 20345:2004 i oznakowane symbolem piły ogrodowej oznaczającym zgodność z EN 381-3. (Użytkownicy używający piły sporadycznie mogą użyć obuwia ze stalowymi noskami oraz getrów ochronnych zgodnych z EN 381-9, jeśli podłoże jest równe i istnieje niewielkie ryzyko potknięcia lub pochwytnia przez podszycie leśne)

Kurtki ochronne do ochrony tułowia przed urazami piłą ogrodową

powinny być zgodne z EN 381-11 i posiadać oznakowanie CE

POZNAJ SWOJĄ PIŁĘ OGRODOWĄ

1	Przedni uchwyt	11	Oporowy zderzak zębata
2	Przednia osłona dłoni	12	Łańcuch piły
3	urządzenie blokujące	13	Prowadnica
4	Przełącznik zasilania	14	Rowek prowadnicy
5	Tylny uchwyt	15	Napęd łańcucha
6	Wlew smaru do łańcucha	16	osłona koła łańcuchowego
7	zbiornik oleju do piły	17	Śruba naciągu łańcucha
8	tylna osłona dłoni	18	nakrętka mocująca prowadnicy
9	Klucz oczkowo-płaski	19	Pokrywa prowadnicy
10	Akumulator		

OSTRZEŻENIE!

Nieprawidłowa konserwacja, usunięcie lub modyfikacja zabezpieczeń, włącznika zapłonu, ostony dłoni (przedniej i tylnej), przypory zębata, łapacza łańcucha, prowadnicy, łańcucha piły o zredukowanym odrzucie może spowodować niewłaściwe działanie funkcji zabezpieczających i zwiększyć potencjalne ryzyko wystąpienia poważnych obrażeń.

Oporowy zderzak zębata

Wbudowany oporowy zderzak zębata może być używany do prowadzenia piły wokół pnia. Podczas cięcia pomoce jest stabilne trzymanie korpusu piły. Podczas cięcia przesuwać piłę do przodu aż metalowe zęby zagłębia się w drewnie, a poruszając tylny uchwyt w górę lub w dół w kierunku cięcia, można zmniejszyć fizyczne obciążenie podczas cięcia.

Prowadnica

Zasadniczo prowadnice z końcówkami o małym promieniu mają nieco mniejsze tendencje do odrzutu. Należy używać prowadnicy o odpowiedniego łańcucha o długości wystarczającej do wykonania pracy. Dłuższe prowadnice zwiększają ryzyko utraty kontroli podczas cięcia. Regularnie sprawdzać napięcie łańcucha. Podczas cięcia mniejszych gałęzi (krótszych niż całkowita długość prowadnicy), istnieje większe prawdopodobieństwo, że łańcuch zostanie odrzucony, jeśli nie jest prawidłowo naprężony.

INSTRUKCJE DOTYCZĄCE STOSOWANIA ODPOWIEDNIH PODSTAWOWYCH TECHNIK ŚCINANIA DRZEW, OKRZESYWANIA I CIĘCIA POPRZECZNEGO

Siły wewnętrzne występujące w drewnie

Znając kierunek naprężeń występujących w drewnie można zmniejszyć ryzyko wystąpienia „ściskania” piły lub przynajmniej przewidzieć je podczas cięcia. Naprężenia w drewnie oznaczają, że włókna ulegają rozerwaniu, a wykonując cięcie w takim obszarze, „rzaz” lub nacięcie będzie się rozwierać wraz z przejściem przez nie piły. Podczas przecinania na koźle kłody niepodpartej na końcach, naprężenie powstaje na górnej powierzchni wynikające z masy wystającej końcówki kłody powoduje rozciągnięcie włókien. Analogicznie dolna powierzchnia kłody ulega ściskaniu, powodując dociskanie włókien do siebie. Wykonując cięcie w tym obszarze, rzaz będzie się zamykał podczas cięcia, powodując ściskanie ostrza.

Przycinanie gałęzi

Przycinanie to usuwanie gałęzi ze ściętego drzewa. Podczas przycinania pozostawić leżące pod drzewem gałęzie jako podpórę, aby utrzymać drzewo nad powierzchnią ziemi. Małe gałęzie usuwać jednym cięciem. Naprężone gałęzie należy ciąć od dołu do góry, aby uniknąć zakleszczenia się łańcucha piły.

Cięcie naprężonego drzewa

Naprężone drzewa to pnie, konary, zakorzenione pniaki lub pędy, które zostały wygięte w wyniku oddziaływania innych drzew i mogą spowodować uderzenie po odcięciu lub usunięciu innego drzewa.

W przypadku zwalonego drzewa bardzo prawdopodobne jest, że zakorzeniony pniak powróci do swojego pionowego położenia po odcięciu pnia od pniaka. Uważać na naprężone drzewa, ponieważ są bardzo niebezpieczne.

OSTRZEŻENIE! Przycinanie młodych drzewek jest niebezpieczne i może spowodować uderzenie operatora, powodując utratę kontroli nad piłą ogrodową. Może to skutkować poważnymi lub śmiertelnymi obrażeniami operatora. Prace takie powinni wykonywać profesjonalni użytkownicy.

WARUNKI UŻYTKOWANIA

Bezprzewodowa piła ogrodowa jest przeznaczona tylko do użytku na zewnątrz budynków.

Ze względów bezpieczeństwa piła ogrodowa powinna być odpowiednio sterowana oburącz przez cały proces cięcia.

Piła ogrodowa jest przeznaczona do cięcia gałęzi, pni, kłód i belek o średnicy określonej przez długość cięcia prowadnicy. Jest ona przeznaczona tylko do cięcia drewna. Piła jest przeznaczona do użytku wyłącznie przez osoby dorosłe, które zostały odpowiednio przeszkolone w zakresie zagrożeń i środków zapobiegawczych/działających, które należy podjąć podczas używania piły ogrodowej.

Oporowy zderzak zębaty Nie używać piły ogrodowej do innych celów niż wyżej wymienione. Nie należy jej stosować do profesjonalnych prac związanych z pielęgnacją drzew.

OSTRZEŻENIE! Należy przestrzegać przepisów bezpieczeństwa podczas używania piły ogrodowej. Dla bezpieczeństwa własnego i osób znajdujących się wokół przeczytaj niniejszą instrukcję przed użyciem piły ogrodowej. Użytkownik powinien odbyć profesjonalny kurs dotyczący bezpieczeństwa w zakresie użytkowania, środków zapobiegawczych, pierwszej pomocy oraz konserwacji piły ogrodowej. Należy zachować instrukcję w celu późniejszego użycia.

OSTRZEŻENIE! Piły łańcuchowe są potencjalnie niebezpiecznymi narzędziami. Wypadki z użyciem pił łańcuchowych często powodują utratę kończyn lub śmierć. Nie tylko piła stanowi zagrożenie. Spadające gałęzie, przewracające się drzewa i toczące się kłody również mogą zabić. Chore lub gnijące drzewa stwarzają dodatkowe zagrożenie. Należy ocenić możliwość bezpiecznego wykonania prac. W razie jakichkolwiek wątpliwości pozostawić decyzję profesjonalnemu aboryście.

Produkt można użytkować wyłącznie zgodnie z jego normalnym przeznaczeniem.

ZAGROŻENIA RESZTKOWE

Nawet przy właściwym użytkowaniu produktu nie można całkowicie wykluczyć zagrożeń resztkowych. W przypadku stosowania mogą wystąpić następujące zagrożenia, dlatego też operator winien zwracać uwagę na następujące aspekty:

- Obrażenia spowodowane przez wibrację piły
Zawsze używać odpowiedniego narzędzia do wykonania pracy. Używać wyznaczonych uchwytów. Ograniczać czas pracy i narażenie.
- Uszkodzenie słuchu w wyniku narażenia na hałas
Noszenie ochrony słuchu i ograniczanie narażenia.
- Obrażenia spowodowane przez kontakt z ostrzami łańcucha piły
- Obrażenia spowodowane przez odrzucane elementy podczas cięcia (wióry, odłamki)
- Obrażenia spowodowane przez pył i cząstki
- Obrażenia skóry spowodowane przez kontakt ze środkami smarowymi
- Części wyrzucone z łańcucha piły (niebezpieczeństwo przecięcia/ukłucia)
- Nieprzewidziane, nagłe ruchy lub odrzut prowadnicy (niebezpieczeństwo przecięcia)

ZMNIEJSZENIE RYZYKA

- Stwierdzono, że wibracje pochodzące z ręcznych elektronarzędzi mogą przyczyniać się u niektórych osób do stanu zwanego zespołem Raynaud'a. Objawy mogą obejmować mrowienie, drętwienie i blednięcie palców, zwykle widoczne po ekspozycji na zimno. Uważa się, że czynnikami dziedzicznymi, narażenie na zimno i wilgoć, dieta, palenie papierosów i praktyki stosowane w pracy przyczyniają się do rozwoju tych objawów. Operator może podjąć środki, które mogą zmniejszyć wpływ wibracji:
- Utrzymywać ciepłotę ciała przy niskich temperaturach na

zewnątrz. Podczas obsługi urządzenia nosić rękawice, aby utrzymywać dłonie i nadgarstki w ciepłym stanie.

- Po każdym etapie pracy wykonywać ćwiczenia, aby pobudzić krążenie krwi.
 - Wykonywać częste przerwy w pracy. Ograniczać dzienny czas narażenia.
 - Rękawice ochronne oferowane przez profesjonalnych sprzedawców pił ogrodowych są specjalnie zaprojektowane do stosowania przy obsłudze pił ogrodowych, zapewniają ochronę, dobry chwyt, a także redukują efekt wibracji uchwytów. Rękawice powinny być zgodne z EN 381-7 i posiadać oznaczenie CE.
- Jeśli wystąpi którykolwiek z objawów tego stanu, należy natychmiast zaprzestać używania urządzenia i skontaktować się z lekarzem.

OSTRZEŻENIE! Urazy mogą być spowodowane lub pogłębić się w wyniku długotrwałego używania narzędzia. Korzystając z dowolnego narzędzia przez dłuższy czas, należy robić regularne przerwy.

WSKAZÓWKI DLA AKUMULATORÓW LITOWO-JONOWYCH

Użytkowanie akumulatorów litowo-jonowych

Akumulatory, które nie były przez dłuższy czas użytkowane, należy przed użyciem naładować.

W temperaturze powyżej 50°C następuje spadek osiągniętych wkładki akumulatorowej. Unikać długotrwałego wystawienia na oddziaływanie ciepła lub promieni słonecznych (niebezpieczeństwo przegrzania).

Styki ładowarek i wkładek akumulatorowych należy utrzymywać w czystości

Dla zapewnienia optymalnej żywotności akumulatory po użyciu należy naładować do pełnej pojemności.

Dla zapewnienia możliwie długiej żywotności akumulatory należy wyjąć z ładowarki po ich naładowaniu.

W przypadku składowania akumulatorów dłużej aniżeli 30 dni:

Akumulator przechowywać w temperaturze nieprzekraczającej 27°C i z dala od wilgoci.

Przechowywać je w stanie naładowanym do ok. 30% - 50%.

Ładować je ponownie co 6 miesięcy.

Ochrona przeciwprzecięziowa w akumulatorach litowo-jonowych

W przypadku przecięcia akumulatora przez bardzo duży pobór prądu, na przykład wskutek ekstremalnie dużych momentów obrotowych, narzędzie ręczne z napędem elektrycznym wibruje przez 5 sekund, miga wskaźnik ładowania i narzędzie samoczynnie wyłącza się.

W celu ponownego włączenia narzędzia należy zwolnić przycisk przełączający, a następnie ponownie go włączyć. Przy ekstremalnych obciążeniach akumulator nagrzewa się za mocno. W takim przypadku wszystkie lampki wskaźnika ładowania migają tak długo, aż akumulator ochłodzi się. Po zgąszeniu wskaźnika ładowania można kontynuować pracę.

Transport akumulatorów litowo-jonowych

Akumulatory litowo-jonowe podlegają ustawowym przepisom dotyczącym transportu towarów niebezpiecznych.

Transport tych akumulatorów winien odbywać się przy przestrzeganiu lokalnych, krajowych i międzynarodowych rozporządzeń i przepisów.

Odbiorcom nie wolno transportować tych akumulatorów po drogach o tak po prostu.

Komercyjny transport akumulatorów litowo-jonowych przez przedsiębiorstwa spedycyjne podlega przepisom dotyczącym transportu towarów niebezpiecznych. Przygotowania do wysyłki oraz transport mogą być wykonywane wyłącznie przez odpowiednio przeszkolone osoby. Cały proces winien odbywać się pod fachowym nadzorem.

W czasie transportu akumulatorów należy przestrzegać następujących punktów:

Celem uniknięcia zwarć należy upewnić się, że zestyki są zabezpieczone i zaizolowane.

Zwracać uwagę na to, aby zespół akumulatorów nie mógł się przemieszczać we wnętrzu opakowania. Nie wolno transportować akumulatorów uszkodzonych lub z wyciekającym z elektrolitem. Odnosnie dalszych wskazań należy zwrócić się do swojego przedsiębiorstwa spedycyjnego.

WSKAZÓWKI DOTYCZĄCE UŻYTKOWANIA

MONTAŻ

Montaż łańcucha piły i prowadnicy

OSTRZEŻENIE! W razie uszkodzenia lub braku jakichkolwiek części nie używać maszyny, dopóki części nie zostaną wymienione. Nieprzestrzeganie tego ostrzeżenia może spowodować poważne obrażenia ciała.

Upewnić się, że bateria została usunięta. Nosić rękawice ochronne!

1. Odkręcić nakrętki mocujące prowadnicy przy użyciu dostarczonego klucza oczkowo-platekowego.
2. Zdjąć pokrywę łańcucha.
3. Umieścić łańcuch na prowadnicy w prawidłowym kierunku i upewnić się, że czony napędowe są ustawione w linii z rowkiem prowadnicy.
4. Zamocować prowadnicę do piły ogrodowej i osadzić łańcuch na zębach koła łańcuchowego.
5. Założyć pokrywę łańcucha i przykręcić nakrętki mocujące prowadnicę.
6. Dokręcić ręcznie nakrętki mocujące prowadnicę. Prowadnica musi się swobodnie poruszać w celu regulacji napięcia łańcucha.
7. Wyregulować napięcie łańcucha. Zapoznać się z rozdziałem „Regulacja napięcia łańcucha”.
8. Przytrzymać końcówkę prowadnicy i dokręcić nakrętki mocujące prowadnicę.

OSTRZEŻENIE! Łańcuch piły jest ostry. Nosić rękawice ochronne podczas konserwacji łańcucha.

Regulacja napięcia łańcucha

Przed rozpoczęciem jakichkolwiek prac przy pile ogrodowej należy wyjąć baterię.

Aby zwiększyć napięcie łańcucha, należy obrócić śrubę naciągu łańcucha w kierunku zgodnym z ruchem wskazówek zegara i regularnie sprawdzać jego napięcie. Aby zmniejszyć napięcie łańcucha, należy obrócić śrubę naciągu łańcucha w kierunku przeciwnym do ruchu wskazówek zegara i regularnie sprawdzać jego napięcie.

Napięcie łańcucha jest prawidłowe, gdy szczelina między ostrzem w łańcuchu a prowadnicą wynosi około 6,8 mm. Pociągnąć łańcuch w środku dolnej części prowadnicy w dół (w kierunku od prowadnicy) i zmierzyć odległość między prowadnicą a łańcuchem tnącym. Dokręcić śruby mocujące prowadnicę, obracając je przeciwnie do ruchu wskazówek zegara.

Uwaga: Nie naprężać nadmiernie łańcucha – nadmierne napięcie może spowodować szybsze zużycie i skrócenie żywotności łańcucha, powodując uszkodzenie prowadnicy. Nowe łańcuchy mogłyby ulec rozciągnięciu i poluzować się przy pierwszym użyciu. Wyjąć baterie i często sprawdzać napięcie łańcucha podczas pierwszych dwóch godzin pracy. Temperatura łańcucha zwiększa się podczas normalnej eksploatacji powodując rozciąganie się łańcucha. Sprawdzać regularnie napięcie łańcucha i w razie potrzeby wyregulować. Łańcuch naprężony w stanie rozgrzanym może być zbyt ciasny po ochłodzeniu. Należy się upewnić, że napięcie łańcucha zostało prawidłowo wyregulowane zgodnie z niniejszą instrukcją.

Uzupelnianie smaru do łańcucha

OSTRZEŻENIE! Nigdy nie pracować bez smaru do łańcucha. Piła ogrodowa pracująca bez smaru może uszkodzić prowadnicę i łańcuch. Ważne jest, aby regularnie sprawdzać poziom oleju w zbiorniku i przed każdym uruchomieniem piły ogrodowej. Utrzymywać poziom w zbiorniku nie mniejszy niż 1/4 pojemności, aby zapewnić wystarczającą ilość oleju do wykonania pracy.

Uwaga: Przy przycinaniu drzew zaleca się stosowanie oleju roślinnego. Olej mineralny może zaszkodzić drzewom. Nigdy nie używać olejów odpadowych, olejów silnikowych do samochodów ani bardzo gęstych olejów. Mogłyby one uszkodzić łańcuch piły. Wyczyścić powierzchnię wokół wlewu oleju, aby zapobiec zanieczyszczeniu.

1. Odkręcić i zdjąć korek ze zbiornika oleju.
2. Wlać olej do zbiornika i obserwować poziom oleju.
3. Założyć z powrotem i przykręcić korek. Rozlany olej wytrzeć.

Trzymanie piły ogrodowej

Zawsze trzymać piłę w prawej ręce za tylny uchwyt, jednocześnie trzymając lewą ręką przedni uchwyt. Złapać za uchwyty, zaciskając kciuki i palce wokół nich.

Uruchamianie piły ogrodowej

Przed uruchomieniem piły ogrodowej należy zainstalować w niej akumulator.

Zabezpieczenie przed ponownym uruchomieniem

Elektronarzędzie wyposażone jest w zabezpieczenie przed ponownym uruchomieniem.

Zapobiega to samoczynnemu uruchomieniu się elektronarzędzia przy wkładaniu baterii oraz ponownemu uruchomieniu elektronarzędzia po odłączeniu baterii.

Jeśli prowadnica znajduje się poza obrabianym przedmiotem, wyłączyć maszynę, a następnie ponownie ją włączyć, aby kontynuować pracę.

Jeśli prowadnica znajduje się w rzazie, zacząć od łańcucha piły całkowicie się zatrzyma. Upewnić się, że przelącznik znajduje się w pozycji wyłączonej. Wyjąć akumulator z maszyny i prowadnicę z rzazu. Włożyć akumulator, a następnie ponownie włączyć maszynę, aby kontynuować pracę.

TRANSPORT I PRZECHOWYWANIE

Zawsze lekko nasmarować łańcuch na czas przechowywania, aby zapobiec korozji. Zawsze opróżnić zbiornik oleju na czas przechowywania, aby zapobiec wyciekom.

W celu przechowywania lub transportu należy zatrzymać urządzenie, usunąć baterię i odczekać aż piła się ochłodzi.

Usunąć wszelkie ciała obce z urządzenia. Przechowywać urządzenie w chłodnym, suchym i dobrze wentylowanym miejscu niedostępnym dla dzieci. Zabezpieczyć przed kontaktem ze środkami żrącymi, jak chemia ogrodnicza i środki do odladzania. Nie przechowywać piły na zewnątrz.

Zakładać pokrywę prowadnicy piły przed przechowywaniem i podczas transportu.

W celu transportu w pojazdach należy zabezpieczyć urządzenie przed ruchem lub upadkiem, aby zapobiec obrażeniom osób lub uszkodzeniu urządzenia.

CZYSZCZENIE

Oczyszczyć szczelinę z pyłu i zanieczyszczeń. Utrzymywać uchwyt w stanie czystym, suchym i wolnym od olejów i smarów. Do czyszczenia używać tylko łagodnego mydła i wilgotnej szmatki, ponieważ niektóre detergenty i rozpuszczalniki mogą uszkodzić części z tworzywa sztucznego i inne części izolowane. Zaliczają się do nich m.in. benzyna, terpentyna, rozcieńczalniki do lakierów i farb, rozpuszczalniki chlorowane, amoniak oraz detergenty do zastosowania w gospodarstwie domowym zawierające amoniak. Nigdy nie używać łatwopalnych i palnych rozpuszczalników w pobliżu narzędzi.

UTRZYMANIE I KONSERWACJA

OSTRZEŻENIE! Używać tylko i wyłącznie wyposażenia dodatkowego Milwaukee i części zamiennych Milwaukee. Nieprzestrzeganie tego może spowodować obrażenia, przyczynić się do obniżenia wydajności i spowodować utratę gwarancji.

Używać tylko i wyłącznie wyposażenia dodatkowego Milwaukee i części zamiennych Milwaukee. Gdyby trzeba było wymienić części, które nie zostały opisane, należy skontaktować się z przedstawicielem serwisu Milwaukee (patrz wykaz adresów punktów usługowych/gwarancyjnych).

⚠ OSTRZEŻENIE! Serwisowanie wymaga szczególnej troski i wiedzy i powinno być wykonywane wyłącznie przez wykwalifikowanego technika serwisu. W przypadku serwisu zalecamy oddanie urządzenia do najbliższego serwisu firmy MILWAUKEE w celu naprawy. Podczas serwisowania należy używać tylko identycznych części zamiennych.

⚠ OSTRZEŻENIE! Wymować baterię przed regulacją, konserwacją i czyszczeniem piły. Nieprzestrzeganie powyższych zasad może doprowadzić do poważnych obrażeń ciała. Można dokonywać tylko regulacji lub napraw opisanych w tej instrukcji. W przypadku innych napraw należy skontaktować się z autoryzowanym punktem serwisowym.

Konsekwencje nieprawidłowej konserwacji mogą spowodować przerwanie łańcucha i nieprawidłowe działanie innych funkcji zabezpieczających, zwiększając potencjalne ryzyko wystąpienia poważnych obrażeń.

Użytkownik powinien zadbać o to, aby piła ogrodowa była profesjonalnie konserwowana i zabezpieczona. • Bezpieczne ostrzenie łańcucha to zadanie wymagające umiejętności. Dlatego producent zdecydowanie zaleca wymianę zużytego lub stępnego łańcucha na nowy, dostępny u przedstawiciela serwisu firmy MILWAUKEE. Numer części jest dostępny w tabeli specyfikacji produktu w niniejszej instrukcji.

Postępować zgodnie z instrukcjami smarowania oraz kontroli naprężenia i regulacji łańcucha.

Po każdym użyciu wyczyścić urządzenie suchą miękką ściereką. Usunąć wszelkie wióry, brud i zanieczyszczenia znajdujące się w komorze baterii.

Regularnie sprawdzać wszystkie nakrętki i śruby pod kątem bezpiecznego zamocowania, aby zapewnić bezpieczną pracę urządzenia. Każda uszkodzona część powinna zostać odpowiednio naprawiona lub wymieniona przez serwis firmy MILWAUKEE.

Wymiana prowadnicy i łańcucha piły

Nosić rękawice ochronne.

- usunąć wymienne baterie
- Zdjąć osłonę prowadnicy
- Odkręcić nakrętki mocujące prowadnicę przy użyciu dostarczonego klucza oczkowo-płaskiego.
- Zdjąć pokrywę łańcucha.
- Zmniejsz napięcie łańcucha piły. Patrz rozdział „Regulacja napięcia łańcucha”.
- Zdjąć stary łańcuch razem z prowadnicą
- Umieścić nowy łańcuch na prowadnicy w prawidłowym kierunku i upewnić się, że człony napędowe są ustawione w linii z rowkiem prowadnicy.
- Zamocować prowadnicę do piły ogrodowej i osadzić łańcuch na zębach koła łańcuchowego.
- Założyć osłonę zębataki napędowej i nakrętkę mocującą prowadnicę.
- Dokręć palcami nakrętkę mocującą prowadnicę.
- Prowadnica musi mieć swobodę ruchu w celu regulacji napięcia łańcucha.
- Wyregulować napięcie łańcucha. Zapoznać się z rozdziałem „Regulacja napięcia łańcucha”.
- Przytrzymać końcówkę prowadnicy i dokręcić nakrętkę mocującą prowadnicę.

⚠ OSTRZEŻENIE! Tępy lub niewłaściwie zaostrzony łańcuch może powodować nadmierną prędkość silnika podczas cięcia, co może spowodować poważne uszkodzenie silnika.

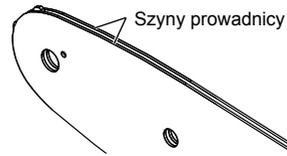
⚠ OSTRZEŻENIE! Nieprawidłowe ostrzenie łańcucha zwiększa potencjalne ryzyko wystąpienia odrzutu.

⚠ OSTRZEŻENIE! W przypadku braku wymiany lub naprawy uszkodzonego łańcucha może dojść do poważnych obrażeń.

⚠ OSTRZEŻENIE! Łańcuch piły jest ostry. Nosić rękawice ochronne podczas konserwacji łańcucha.

Konserwacja prowadnicy

Jeżeli prowadnica wykazuje oznaki zużycia, obróć ją na pilarsce od dołu do góry, aby rozłożyć jej zużycie i zapewnić maksymalną trwałość. Prowadnicę należy czyścić każdego dnia użytkowania i sprawdzać pod kątem zużycia i uszkodzeń. Strzępienie lub zadziory na szynach prowadnicy są normalnym procesem zużycia prętów. Takie usterki należy wygładzić pilnikiem, gdy tylko się pojawiają.



Prowadnica z którąkolwiek z poniższych usterek powinna zostać wymieniona.

- Zużycie wewnątrz szyn prowadnicy, które umożliwia boczne ułożenie łańcucha.
- Wygięta prowadnica.
- Pęknięte lub uszkodzone szyny.
- Rozsunięte szyny.

Co tydzień smaruj końcówki prowadnic z zębataką. Używając strzykawki do smaru, smaruj co tydzień otwór smarownicy. Obróć prowadnicę i sprawdź, czy otwory smarowania i szyny prowadnicy są wolne od zanieczyszczeń.

Plan konserwacji

Codzienna kontrola

Smarowanie prowadnicy	Przed każdym użyciem
Naprężenie łańcucha	Przed każdym użyciem i regularnie
Ostrość łańcucha	Przed każdym użyciem, kontrola wzrokowa

Pod kątem uszkodzonych części Przed każdym użyciem

Pod kątem poluzowanych zamocowań Przed każdym użyciem

Prowadnica Przed każdym użyciem

Cała piła Po każdym użyciu

Części zamienne (Prowadnica i łańcuch)

Producent	MILWAUKEE	OREGON
Łańcuch	4932 4801 76	90F033XTR
Prowadnica	4932 4801 69	360804

Łańcuch musi zostać zamontowany na prowadnicy od tego samego producenta zgodnie z wyżej podanymi kombinacjami.

Widok rozstrzelony

Na życzenie można otrzymać rysunek widoku zespołu rozebranego. Przy zamawianiu należy podać numer oraz typ elektronarzędzia umieszczony na tabliczce znamionowej. Zamówienia można dokonać albo u lokalnych przedstawicieli serwisu, albo bezpośrednio w Techtronic Industries GmbH, Max-Eyth-Straße 10, 71364 Winnenden, Germany.

SYMBOLE

	Przed uruchomieniem elektronarzędzia zapoznać się uważnie z treścią instrukcji.
	UWAGA! OSTRZEŻENIE NIEBEZPIECZESTWO!
	Przed przystąpieniem do jakichkolwiek prac na elektronarzędziu należy wyjąć wkładkę akumulatorową.
	Chronić maszynę przed deszczem.
	Nie obsługiwać piły jedną ręką
	Zawsze obsługiwać piłę ogrodową oburącz
	Nosić obuwie ochronne z ochroną przed skaleczeniami, antypoślizgową podeszwą i stalowym noskiem!
	Nosić rękawice ochronne!
	Należy zawsze nosić odzież ochronną oraz stabilne obuwie.
	Nosić hełm ochronny. Należy używać ochraniaczy uszu! Używać okularów ochronnych.
	Uważaj na odbicie piły ogrodowej i unikaj kontaktu z końcówką pręta
	Podczas użytkowania piły osoby postronne powinny znajdować się w odległości co najmniej 15 metrów.
	Zbiornik oleju do łańcucha
	Obrócić, aby wyregulować napięcie łańcucha
	Kierunek biegu łańcucha
	Wyposażenie dodatkowe dostępne osobno.

	Zużyte baterie oraz zużyty sprzęt elektryczny i elektroniczny nie może być usuwany razem z odpadami pochodzącymi z gospodarstw domowych. Zużyte baterie oraz zużyty sprzęt elektryczny i elektroniczny należy gromadzić i usuwać oddzielnie. Przed utylizacją należy usunąć z urządzeń zużyte baterie, zużyte akumulatory oraz źródła światła. Proszę zasięgnąć informacji o centrach recyklingowych i punktach zbiorczych u władz lokalnych lub u wyspecjalizowanego dostawcy. W zależności od lokalnych przepisów, sprzedawcy detaliczni mogą być zobowiązani do bezpłatnego odbioru zużytego sprzętu elektrycznego i elektronicznego. Poprzez ponowne wykorzystanie i recykling zużytych baterii oraz zużytego sprzętu elektrycznego i elektronicznego pomagamy zmniejszać zapotrzebowanie na surowce. Zużyte baterie (zwłaszcza baterie litowo-jonowe) oraz zużyty sprzęt elektryczny i elektroniczny zawierają cenne materiały nadające się do recyklingu, które mogą mieć negatywny wpływ na środowisko naturalne i zdrowie użytkownika, jeśli nie zostaną zutilizowane w sposób przyjazny dla środowiska. Przed utylizacją zużytego sprzętu należy usunąć wszelkie zamieszczone na nim dane osobowe.
	Gwarantowany poziom mocy akustycznej 79 dB(A)
v_0	Prędkość łańcucha bez obciążenia
v	Napięcie
	Prąd stały
	Europejski Certyfikat Zgodności
	Brytyjski Certyfikat Zgodności
	Ukraiński Certyfikat Zgodności
	Euroazjatycki Certyfikat Zgodności

MŰSZAKI ADATOK	M18 FHS20
Felépítés	gallyazófűrész
Gyártási szám	4916 50 01 XXXXX MJJJJ
Akkumulátor feszültség	18 V =
Terhelésmentes láncsebesség	4,8 m/s
Vezetősín hossza max.	8" / 200 mm
Hasznos vágási hossz	7,4" / 189 mm
Láncolaj-tartály őr tartalma	77 ml
Súly a 01/2014 EPTA-eljárás szerint 01/2014 (Li-Ion 2.0 Ah .. 12.0 Ah)	2,8 kg 3,9 kg
Üzemeléshez ajánlott környezeti hőmérséklet	-18 ... +50 °
Ájánlott akkusomagok	M18B...; M18HB...
Ájánlott töltőkészülékek	M12-18...; M1418C6
Zajinformáció: A közölt értékek megfelelnek az EN 62841 szabványnak. A készülék munkahelyi zajszintje tipikusan:	
Hangnyomás szint / K bizonytalanság	81 dB (A) / 3 dB (A)
Hangteljesítmény szint / K bizonytalanság	89 dB (A) / 3 dB (A)
Hallásvédő eszköz használata ajánlott!	
Vibráció-információk: Összesített rezgésértékek (három irány vektoriális összeg az EN 62841-nek megfelelően meghatározva.	
rezegésemmisszió érték a _n / K bizonytalanság	4,9 m/s ² / 1,5 m/s ²

▲ FIGYELMEZTETÉS!

Az adatlapon feltüntetett rezgés- és zajkibocsátási szint mérésére az EN 62841 szabványos vizsgálati módszer alapján került sor, és a kapott értékek az egyes szerszámok összehasonlítására használhatók. Az értékek az expozíció előzetes értékelésében használhatók.

A feltüntetett rezgés- és zajkibocsátási szint a szerszám főbb alkalmazásait tükrözi. Mindazonáltal, ha a szerszámot különböző alkalmazásokra, eltérő tartozékokkal használják, illetve a szerszám nincs megfelelően karbantartva, a rezgés- és zajkibocsátási szint eltérő lehet. Ez jelentősen növelheti az expozíciós szintet a teljes munkafolyamat során.

A rezgésnek és zajnak való expozíció becslült szintjét is figyelembe kell venni a szerszám kikapcsolásakor, illetve olyankor, ha a szerszám üzemel, de valójában nem történik vele munkavégzés. Ez jelentősen csökkentheti az expozíciós szintet a teljes munkafolyamat során.

Határozzon meg további biztonsági intézkedéseket, hogy védje a kezelőt a rezgés- és/vagy zajhatásoktól. Ilyen intézkedések pl.: a szerszámok és tartozékok karbantartása, a kéz melegen tartása, munkarend-szervezés.

Viseljen hallásvédőt. A zajhatás a hallás elvesztését eredményezheti.

▲ FIGYELMEZTETÉS! Olvasson el minden, a géppel együtt megkapott biztonsági utalást, utasítást, ábrázolást és adatot.

Ha nem tartja be a következő előírásokat, akkor ez áramütéshez, tűzhöz és/vagy súlyos személyi sérülésekhez vezethet.

Kérjük a későbbi használatra gondosan őrizze meg ezeket az előírásokat.

ÁLTALÁNOS GALLYAZÓFŰRÉSZ BIZTONSÁGI FIGYELMEZTETÉSEK

a) Minden testrészt tartson távol a gallyazófűrészről, amikor a gallyazófűrész üzemben van. A gallyazófűrész indítása előtt ügyeljen arra, hogy a fűrészlánc semmire ne érjen hozzá. Elég egy pillanatnyi figyelmetlenség és a gallyazófűrész a ruházatot vagy testrészeket berántja a fűrészláncba.

b) A gallyazófűrész mindig a hátsó markolatra helyezett jobb kezével és az előlő markolatra helyezett bal kezével tartsa. A gallyazófűrész ellenkező kezekkel való tartása növeli a személyi sérülés kockázatát, ezért soha nem szabad megtenni.

c) A gallyazófűrész csak a szigetelt markolatoknál fogva tartsa, mert a gallyazófűrész rejtett vezetékkel érintkezésbe kerülhet. Az áram alatt levő vezetékkel érintkező gallyazófűrész látszó fém alkatrészei szintén áram alá kerülnek, így a kezelőt villamos áramütés érheti.

d) Viseljen szemvédő eszközt. További védőeszköz – hallás-, fej-, kéz- és lábvédő – javasolt. A megfelelő védőeszközök csökkentik a szálló részecskékből vagy a láncfűrészrel való véletlen érintkezésből adódó személyi sérülés veszélyét.

e) Ne működtesse a gallyazófűrész élő fát állva, létrán, háztetőn vagy bármely alá nem támasztott emelvényen. A gallyazófűrész ily módon történő működtetése súlyos személyi sérülést eredményezhet.

f) Mindig álljon biztosan, és a gallyazófűrész csak rögzített, stabil és vízszintes felületen működtesse. A csúszós vagy instabil felületek az egyensúly vagy a gallyazófűrész feletti uralom elvesztését okozhatják.

g) Megfeszülő ág vágásánál figyeljen a visszacsapásra. Amikor a farostokban levő feszültség megszűnik, akkor a megfeszült ág mecsaphatja a kezelőt és/vagy kiütheti a gallyazófűrész a kezéből.

h) Különösen figyelmesen járjon el bozót vagy husángok vágása során. A vékony anyag elkaphatja a láncfűrész, és Ön felé csaphat vagy kibillentheti Önt az egyensúlyából.

i) A kikapcsolt gallyazófűrész az előlő markolatnál fogva, a testétől eltartva vigye. A gallyazófűrész szállítása vagy tárolása során mindig helyezze fel a vezetősín burkolatát. A gallyazófűrész előírászerű kezelése csökkenti a mozgó láncfűrészrel való véletlen érintkezés valószínűségét.

j) Tartsa be a kenésre, láncfeszítésre, és a sín és lánc cseréjére vonatkozó utasításokat. A nem megfelelően megfeszített lánc elszakad vagy növeli a visszarúgás esélyét.

k) A markolatokat tartsa szárazan, tisztán, és olajtól és zsírtól mentesen. A zsíros, olajos markolatok síkosak, ezért a szerszám feletti uralom elvesztését okozhatják.

l) Csak fát vágjon. Ne használja a gallyazófűrész rendeltetésével ellentétes célokra. Például: ne használja a gallyazófűrész fém, műanyag, téglá vagy nem fa építőanyag vágására. A rendeltetéstől eltérő műveletekre használt gallyazófűrész veszélyes helyzeteket eredményezhet.

Tartsa be minden utasítást, amikor beszorult anyagot távolít el, a gallyazófűrészről tárolja vagy szervizeli. Ügyeljen rá, hogy a kapcsoló ki legyen kapcsolva és az akkumulátor ki legyen véve. A beszorult anyag eltávolítása vagy a szervizelés során a gallyazófűrész vértalan működtetése súlyos személyi sérülést eredményezhet.

A visszarúgás okai és a kezelő általi megakadályozása:

Visszarúgás akkor következhet be, amikor a vezetősín orr része vagy csúcsa egy tárgyhoz ér, vagy amikor a fa összezár és a fűrészlánc beszorul a vágatba.

A csúcs érintkezése sok esetben hirtelen ellenreakciót vált ki, a vezetősínt felfelé vágja, majd vissza a kezelő felé.

A láncfűrész vezetősín felső részénél történő beszorulása a vezetősínt gyorsan visszalökheti a kezelő felé.

Minden ilyen reakció hatására elveszítheti az uralmát a fűrész felett, ami súlyos személyi sérülést eredményezhet. Ne támaszkodjon kizárólag a fűrészbe épített biztonsági eszközökre.

A gallyazófűrész felhasználójaként számos intézkedést megtehet a vágási munkák baleset- és sérülésmentessé tétele érdekében.

A visszarúgás a gallyazófűrész hibás használatának és/vagy helytelen üzemeltetési eljárásainak vagy körülményeinek az eredménye, ami az alábbiakban megadott megfelelő óvintézkedésekkel elkerülhető:

a) A gépi szerszámot mindig erőteljesen tartsa, hüvelykujja és a többi uja fogja át a gallyazófűrész markolatait, mindkét keze legyen a fűrészben, testét és karját úgy helyezze el, hogy ellen tudjon állni a visszarúgási erőnek. A visszarúgási erőket a kezelő képes kezelni, ha megfelelő óvintézkedéseket tesz. Ne engedje el a gallyazófűrész.

b) Ne nyúljon túl messzire és ne vágjon vállmagasság felett. Ezáltal elkerülhető a csúcs véletlen érintkezése és a gallyazófűrész feletti uralmat biztosítja vértalan helyzetekben.

c) Csak a gyártó által előírt csere vezetősíneket és láncokat használjon. A helytelen csere vezetősínek és láncok a lánc szakadásához és/vagy visszarúgáshoz vezethetnek.

d) A fűrészlánc esetében tartsa be a gyártó élezési és karbantartási utasításait. A mélységátharoló magasságának csökkentése nagyobb visszarúgást eredményezhet.

TOVÁBBI BIZTONSÁGI ÉS MUNKAVÉGZÉSI UTASÍTÁSOK

Ajánlatos a fatörzseket fűrészbakokon vágni, ha a gépet első alkalommal működteti.

Hevederrögzítés

Hevederrögzítés csak energiaelnyelő zsinórral. A hevedert kizárólag a zsinórhurokhoz rögzítse.

Ne rögzítse a pányvát a fogantyúhoz, a vezetősínhez vagy a szerszám bármely más pontjához.

Ügyeljen rá, hogy a védőburkolatok, a markolatok és fogazott röntkémás előírászerűen legyenek felszerelve és jó állapotban legyenek.

A gallyazófűrész használó személyeknek jó egészségi állapotban kell lenniük. A gallyazó fűrész nehéz, így a kezelőnek fizikailag alkalmas állapotban kell lennie.

A kezelőnek oda kell figyelnie, jó látással, mozgékonyasággal, egyensúlyérzéssel és kéz ügyességgel kell rendelkeznie.

Ne kezdje meg a gallyazófűrész használatát addig, amíg nem rendelkezik kiürített munkaterülettel, biztos állófelülettel és fadőlés esetére megtervezett menekülési útvonallal. Óvakodjon a kibocsátott kenőanyag-kódtól és fűrészportól. Szükség esetén viseljen maszkot vagy légzőkészüléket.

Ne vágjon venyigét és/vagy kis aljnővényzetet.

A gallyazófűrész mindig két kézzel tartsa működtetés közben. A hüvelykujja és a többi uja fogja át a gallyazófűrész markolatait. A gallyazófűrész mindig a hátsó markolatra helyezett jobb kezével és az előlő markolatra helyezett bal kezével tartsa.

A gallyazófűrész indítása előtt ügyeljen rá, hogy a fűrészlánc semmire ne érjen hozzá.

A fűrész semmilyen módon ne módosítsa és ne használja a gyártó által a gallyazófűrészhez nem ajánlott kiegészítők vagy eszközök tápellátására.

A kezelő közelében rendelkezésre kell állnia egy elsősegély-készletnek vagy sebkontórázó kötszerrel és figyelemfelhívó eszközzel (pl. sippal). Nagyobb, átfogó készletnek észerű közelségben kell lennie.

A nem megfelelő fessességű lánc leugorhat a vezetősínről és súlyos, akár halálos sérülést is okozhat. A fűrészlánc hosszúsága a hőmérséklettől függ. Rendszeresen ellenőrizze a fűrészlánc fessességét.

Használat előtt gyakorolja az új gallyazófűrész kezelését egy biztonságosan rögzített fadarabon. A gyakorlást mindig végezze el, ha előtte hosszabb ideig nem használta a gallyazófűrész. A mozgó alkatrészekkel való érintkezés miatt bekövetkező kockázat csökkentése érdekében mindig állítsa le a motort, vegye ki az

akkumulátort és gondoskodjon róla, hogy minden mozgó alkatrész leálljon, mielőtt:

- tisztítást végez vagy elakadást elhárít
- a gépet felügyelet nélkül hagyja
- tartozékokat beszerel vagy kiszere
- ellenőrzést, karbantartást végez vagy a gépen dolgozik

A munkaterület mérete az elvégzendő munkától és a fa vagy munkadarab méretétől függ. Például egy fa döntése nagyobb munkaterületet igényel, mint más vágások végzése, pl. bakon való vágás. A kezelő legyen tudatában mindennek, ami a munkaterületen történik, és legyen ura a helyzetnek.

Ne vágjon úgy, hogy a teste egy vonalban van a vezetősínnel és a láncsal. Ha visszarúgás lép fel, akkor így elkerülheti, hogy a lánc hozzáérjen a fejéhez vagy a testéhez.

Ne alkalmazza előre-hátra irányú fűrészelési mozdulatokat – a munkát a lánc végezze el. A lánc mindig legyen éles és ne nyomja a láncot vágás közben.

Ne fejtse ki nyomást a fűrészre a vágás végén. Készüljön fel a fűrész súlyának megtartására, amint a vágás után kiszabadul a fából. Ennek elmulasztása súlyos személyi sérülést eredményezhet.

Vágási művelet közepén ne állítsa le a fűrész.

A fűrész mindig addig tartsa működésben, amíg ki nem emeli a vágatból. Ne rögzítse az on/off (be/ki) kapcsolót az "on" (be) pozícióban amikor a fűrész közben használja.

Karbantartás, javítás, tisztítás, stb. előtt az akkumulátort ki kell venni a készülékből.

▲ FIGYELMEZTETÉS! A rövidzárlat általi tűz, sérülések vagy termékkárosodások veszélye elkerülésére ne merítse a szerszámot, a cserélhető akkut vagy a töltőkészüléket folyadékokba, és gondoskodjon arról, hogy ne hatoljanak folyadékok a készülékekbe és az akkuba. A korrozív hatású vagy vezetőképes folyadékok, mint pl. a sós víz, bizonyos vegyi anyagok, fehérítők vagy fehérítő tartalmú termékek, rövidzárlatot okozhatnak.

Az M18 elnevezésű rendszerhez tartozó akkumulátorokat kizárólag a rendszerhez tartozó töltővel tölts fel. Ne használjon más rendszerbe tartozó töltőt.

Az akkumulátort, töltőt nem szabad megbontani és kizárólag száraz helyen szabad tárolni. Nedvességtől óvni kell.

Nyomás és húzás

A reakcióerő mindig ellentétes a lánc mozgásirányával. A kezelőnek ezért fel kell készülnie a gép viselkedésének kezelésére: a gépet el kell húzni (előre irányú mozgás), ha a vezetősín aljával vág, illetve vissza kell nyomni (a kezelő felé), ha a vezetősín felső élével vág.

A vágatba beszorult fűrész

Állítsa le a gallyazófűrész és helyezze biztonságos állapotba. Ne erőltesse a láncot és a vezetősínt a vágatból kifelé, mert ez a lánc szakadását okozhatja, ami visszacsap és megüti a kezelőt. Az ilyen helyzet általában azért fordul elő, mert a fát nem megfelelően támasztották alá, így a vágat a nyomóerők hatására összezár, így becsúpi a fűrészlapot. Ha az alátámasztás megigazításának hatására nem oldódik ki a lánc és a vezetősín, akkor a vágat nyitásához és a fűrész kiszabadításához használjon faékeket vagy feszítővasat. Soha ne indítsa a gallyazófűrész, ha a vezetősín már a vágatban vagy a fűrészjáratban van.

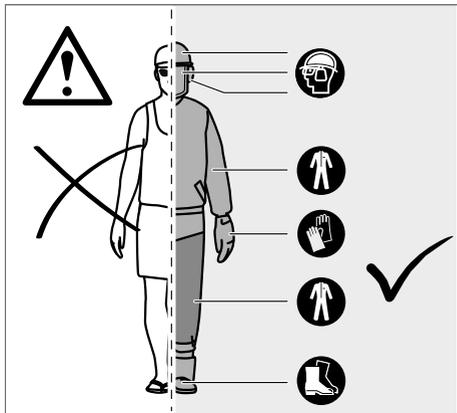
Csúszkálás / dobálás

Ha a vágás során a gallyazófűrész nem kezdi meg a vágást, akkor a vezetősín ugrálhat vagy veszélyesen csúszkálhat a fatörzs vagy ág felületén, ami valószínűleg a gallyazófűrész feletti uralom elvesztéséhez vezet. A csúszkálás vagy dobálás elkerülése érdekében a fűrész mindig két kézzel fogja és figyeljen rá, hogy a gallyazófűrész létrehozott egy hornyot a vágáshoz. A láncfűrészrel soha ne vágjon kicsi, hajlékony ágakat vagy bokrokat. A méret és a hajlékonyság hatására a fűrész könnyen Ön felé ugorhat vagy beszorulhat és visszarúghat. Az ilyen munkákhoz kézfűrész, nyesőöllő, balta vagy egyéb kéziszerszám a megfelelő szerszám.

Személyi védőfelszerelés

A gép használata közben viseljen védősisakot. A hálós maszkkal ellátott sisak segít az arc- és fejsérülés kockázatának csökkentésében, ha visszarúgás következik be. Hallásvédő eszköz használata ajánlott!

A szakemberek által használt jó minőségű személyi védőfelszerelés segíti a kezelő sérülési kockázatának csökkentését. Az alábbi eszközöket kell használni a gép működtetés során:



Munkavédelmi sisak

feleljen meg az EN 397 szabványnak és rendelkezzen CE jelöléssel

Hallásvédelem

feleljen meg az EN 352-1 szabványnak és rendelkezzen CE jelöléssel

Szem- és arcvédelem

rendelkezzen CE jelöléssel és feleljen meg az EN 166 szabványnak (munkavédelmi szemüveg) vagy az EN 1731 szabványnak (hálós maszok)

Kesztyű

feleljen meg az EN 381-7 szabványnak és rendelkezzen CE jelöléssel

Lábvédelem (bőr lábszárvédő)

feleljen meg az EN 381-5 szabványnak, rendelkezzen CE jelöléssel és biztosítson körkörös védelemfeleljen meg az EN 381-5 szabványnak, rendelkezzen CE jelöléssel és biztosítson körkörös védelem

Munkavédelmi lábbeli gallyazófűrészhez

feleljen meg az EN ISO 20345:2004 szabványnak és rendelkezzen gallyazófűrész ábrázoló pajzs jelöléssel az EN 381-3 szabványmegfelelés feltüntetésére. (A felhasználok esetleg használhatnak az EN 381-9 szabványnak megfelelő, bokavédővel ellátott acél orrbetétes bakancsot, ha a talaj egyenletes és csekély a botlás vagy aljnővényzetben való elakadás veszélye.)

Gallyazófűrész-dzsekik a felsőtest védelmére

feleljen meg az EN 381-11 szabványnak és rendelkezzen CE jelöléssel

ISMERJE MEG A GALLYAZÓFÜRÉSZT

1	Elülső fogantyú	11	Röntktámasz
2	Elülső kézvédő	12	Fűrészlánc
3	Kioldókészülék	13	Vezetősín
4	Tápfeszültség kapcsoló	14	Sínhorony
5	Hátsó markolat	15	Láncmeghajtás
6	Lánckenő tartály zárósapka	16	Meghajtó lánckerék burkolata
7	Láncolajtartály	17	Láncfeszítő csavar
8	Hátsó kézvédő	18	sínrögzítő anya
9	Kombinált villáskulcs	19	Vezetősín burkolata
10	Akkumulátor		

FIGYELMEZTETÉS!

A biztonsági eszközök – gyújtáskapcsoló, kézvédő (elülső és hátsó), fogazott röntktámasz, láncrögzítő, vezetősín, kis visszarúgású fűrészlánc – elégtelen karbantartása, eltávolítása vagy módosítása oda vezethet, hogy a biztonsági eszközök nem működnek megfelelően, így a súlyos sérülés veszélye megnő.

Röntktámasz

A beépített röntktámasz forgáspontként használható a vágás során. Fűrészelésnél tartsa stabilan a fűrész készülékhezát. Nyomja előre a gépet, amíg a fémfogak a fa pereméhez érnek. Ha a hátsó fogantyút ekkor a vágás irányába felfelé vagy lefelé mozdítja, csökkentheti a fűrészelés okozta fizikai megterhelést.

Vezetősín

A kisebb sugarú csúccsal rendelkező vezetősínek esetében általában kisebb a visszarúgás veszélye. Olyan vezetősínt és hozzá való láncot használjon, amely éppen elég hosszú az adott munkához. A hosszabb vezetősínek növelik annak veszélyét, hogy elveszíti az uralmat a fűrészelés közben. Rendszeresen ellenőrizze a lánc feszességét. Ha vékonyabb (a vezetősín teljes hosszánál kisebb) ágakat vág, akkor a láncot nagyobb valószínűséggel dobja le elégtelen láncfeszítés esetén.

A FADÓTÉSRE, GALLYAZÁSRA ÉS ÁTVÁGÁSRA VONATKOZÓ MEGFELELŐ TECHNIKÁKKAL KAPCSOLATOS UTASÍTÁSOK

A fában ható erők megértése

Ha megérti a fa belsejében munkálkodó irányított nyomásokat és feszültségeket, akkor csökkentheti a becsípődések számát, vagy legalább fel tud készülni ezekre a vágás közben. A fa belsejében levő feszültségek azt jelentik, hogy a rostokat erők húzzák szét, és ha belevág ebbe a területbe, akkor a bevágás vagy vágat próbál szétmenni, amint a fűrész áthalad rajta. Ha egy röntköt fűrészszakkal támaszt alá és egyik vége alátámasztás nélkül túlnyúlik, akkor a túlnyúló röntk súlya a megfeszülő rostok miatt a felső felületen feszítő erőt hoz létre. A röntk alsó oldala ennek megfelelően összenyomás alatt áll, a rostokat összenyomják az erők. Ha ezen a területen vág, akkor a bevágás hajlamos összezárni a vágás során. Ez a fűrészlap becsípődéséhez vezet.

Gallyazás

Gallyazásnál eltávolítjuk a kivágott fáról a gallyakat. A gallyazás során hagyja meg a nagyobb alsó ágakat támasznak, a fa talaj felett tartásához. Egy vágással távolítsa el a kisebb ágakat. A megfeszülő ágakat lentről felfelé haladva vágja le, hogy elkerülhető legyen a gallyazófűrész beszorulása.

Feszülő fa fűrészelése

A feszülő fa olyan törzs, ág, gyökeret vert tő vagy hajtás, amely más fa hatására megfeszül és meghajlik. Ha a másik fát kivágják vagy eltávolítják, a meghajlott ág visszacsapódhat.

Kivágott fánál valószínű, hogy a gyökeret vert tő visszaegyenszedik és visszacsap, ha a fatörzset a darabolásnál leválasztják a töről. Ügyeljen a veszélyes, feszülő, meghajlott ágakra.

FIGYELMEZTETÉS! A feszülő fák veszélyesek és megüthetik a kezelőt, aminek hatására a kezelő elvesztheti uralmat a gallyazófűrész felett. Ez a kezelő súlyos vagy végzetes sérülését eredményezheti. Ezt a munkát kioktatott felhasználok végezzék.

RENDELTESSZERŰ HASZNÁLAT

A zsinór nélküli gallyazófűrész csak kültéren használatra szolgál. Biztonsági okokból a gallyazófűrész feletti uralmat két kézzel történő működtetéssel mindig meg kell őrizni.

A gallyazófűrész a vezetősín vágási hossza által meghatározott átmérőjű ágak, röntkök, fatörzsek és gerendák vágására szolgál. Csak fa vágására tervezték. Csak olyan felnőttek használhatják, akik kellő kioktatásban részesültek a gallyazófűrész használata során fellépő veszélyekről és a megteendő megelőző intézkedésekről/lépésekről.

Ne használja a gallyazófűrész a fentiekben leírtaktól eltérő célokra. A gallyazófűrész nem használható professzionális faápolási munkálatokhoz. A gallyazófűrész nem használhatják gyermekek és a szükséges védőfelszerelést és -ruházatot nem viselő személyek.

FIGYELMEZTETÉS! A gallyazófűrész használatakor figyelembe kell venni a biztonsági szabályokat. Saját, ill. környezete biztonsága érdekében a gallyazófűrész használata előtt olvassa el ezeket az utasításokat. Vegyen részt olyan hivatalosan szervezett tanfolyamon, amelyen elsajátíthatja a gallyazófűrész használatát, karbantartását, ill. megismerheti a megelőző intézkedéseket és az elsősegéllyel kapcsolatos tudnivalókat. Őrizze meg az utasításokat későbbi tájékozódás esetére.

FIGYELMEZTETÉS! A gallyazófűrészek potenciálisan veszélyes szerszámok. A gallyazófűrész használata során bekövetkező balesetek sok esetben végtag elvesztését vagy halált eredményeznek. A leeső ágak, a kidőlő fák és a guruló röntkök halált okozhatnak. A beteg vagy korhadó törzsek további veszélyt jelentenek. Fel kell mérnie a feladat biztonságos elvégzéséhez szükséges képességét. Kétségek esetén hagyja a munkát professzionális fakivágó szakemberre. A készüléket kizárólag az alábbiakban leírtaknak megfelelően szabad használni.

FENNMARADÓ VESZÉLYEK

Fennmaradó veszélyek még a termék szabályos használata mellett sem zárhatók ki teljes egészében. Az alkalmazás során a következő kockázatok merülhetnek fel, ezért a kezelőnek be kell tartania az alábbiakat:

- Vibration okozta sérülés
Mindig a megfelelő szerszámot használja az adott munkához. A markolatokat rendeltetésszerűen használja. Korlátozza a munkaidőt és a kitértességet.
- Halláskárosodás zajkitértesség miatt
Viseljen hallásvédő eszközt és korlátozza a kitértességet.
- A lánc látszó fűrészfogjaival való érintkezés okozta sérülés
- A munkadarabból kirepülő darabok (faforgács, szálkák) okozta sérülés
- Por és részecskék okozta sérülés
- Kenőanyaggal való érintkezés okozta bőrsérülés
- A fűrészláncból kivágódó részek (vágási/bejutási veszélyek)
- A vezetősín váratlan, hirtelen mozdulata, vagy visszarúgása (vágási veszély)

A KOCKÁZAT CSÖKKENTÉSE

- Arról számoltak be, hogy a kéziszerszámok használata során fellépő vibráció egyes személyeknél hozzájárulhat az úgynevezett Raynaud-szindróma nevű állapot kialakulásához. A tünetei közt van az ujjak zsibbadása, érzéketlensége, elfehéredése, amelyek hidegnek kitéve gyakran felerősödnek. Az örökletes tényezők, a hidegnek és párának kitértesség, étrend, dohányzás és a munkavégzés módja valószínűleg hozzájárulhatnak ezen tünetek kialakulásához. A vibráció hatásainak lehetőség szerinti csökkentése érdekében a kezelőnek be kell tartania az alábbi óvintézkedéseket:

- Hideg időben tartsa melegen a testét. Az egység használatokor viseljen kesztyűt a kéz és a csukló melegen tartásához.
- Az egyes használati időszakok után végezzen gyakorlatokat a vérkeringés javítása érdekében.
- Gyakran tartson munkaszünetet. Korlátozza a napi kitértesség mértékét.
- A professzionális gallyazófűrészeket forgalmazó kiskereskedésekben kapható munkavédelmi kesztyűket kifejezetten gallyazófűrészhez való használatra tervezték, azért védelmet, jó megfogást biztosítanak és csökkentik a markolatok vibrációját. Ezeknek a kesztyűknek meg kell felelniük az EN 381-7 szabványnak és rendelkezniük kell a CE jelöléssel.

Ha ezen tünetek bármelyikét tapasztalja, akkor azonnal hagyja abba a munkát, és forduljon orvoshoz.

FIGYELMEZTETÉS! Adott szerszám hosszabb idejű vagy halmozódó használata sérüléseket okozhat. Ügyeljen rá, hogy rendszeresen szüneteket tartson, ha bármely szerszámot hosszabb ideig használ.

LI-ION AKKUKRA VONATKOZÓ ÚTMUTATÁSOK

Li-ion akkuk használata

A hosszabb ideig üzemben kívül lévő akkumulátort használat előtt ismétellen fel kell tölteni.

50°C feletti hőmérsékletnél csökkenhet az akkumulátor teljesítménye. Kerülni kell a túlzottan meleg helyen vagy napon történő hosszabb idejű tárolást.

A töltő és az akkumulátor csatlakozóit mindig tisztán kell tartani.

Az optimális élettartam érdekében használat után az akkukat teljesen fel kell tölteni.

A lehetőleg hosszú élettartamhoz az akkukat feltöltés után ki kell venni a töltőkészülékből.

Az akku 30 napot meghaladó tárolása esetén:

Az akkumulátort 27 °C-os hőmérséklet alatti és nedvességtől védett helyen tárolja.

Az akkut kb. 30-50%-os töltöttségi állapotban kell tárolni.

Az akkut 6 havonta újra fel kell tölteni.

Akku-túlterhelés elleni védelem Li-ion akkuknál

Az akku nagyon nagy áramfelhasználása következtében fellépő túlterhelése esetén - pl. rendkívül magas forgatónyomatékok, a fűrész megszorulása, hirtelen leállítás vagy rövidzárlat miatt – az elektromos szerszám 5 másodpercen keresztül vibrál, a töltéskijelző villog és az elektromos szerszám magától kikapcsol.

Az újból bekapcsoláshoz engedje el a nyomókapcsolót, majd kapcsolja be ismét. Rendkívüli terheléseknél az akku túlságosan felmelegszik. Ebben az esetben a töltéskijelző minden lámpája addig villog, amíg az akku le nem hűl. Ha a töltéskijelző kialszik, utána tovább lehet dolgozni.

Lítium-ion akkuk szállítása

A lítium-ion akkuk a veszélyes áruk szállítására vonatkozó törvényi rendelkezések hatálya alá tartoznak.

Az ilyen akkuk szállításának a helyi, országos és nemzetközi előírások és rendelkezések betartása mellett kell történnie.

A fogyasztók minden további nélkül szállíthatják az ilyen akkukat közúton.

A lítium-ion akkuk szállítványozási vállalatok általi kereskedelmi célú szállítására a veszélyes áruk szállítására vonatkozó rendelkezések érvényesek. A kiszállítás előkészítését és a szállítást kizárólag megfelelő képzettségű személyek végezhetik. A teljes folyamatnak szakmai felügyelet alatt kell történnie.

A következő pontokat kell figyelembe venni akkuk szállításakor:

Biztosítsa, hogy a rövidzárlatok elkerülése érdekében az érintkezők védve és zsigetelve legyenek.

Ügyeljen arra, hogy az akkucsomag ne tudjon elcsúszni a csomagoláson belül. Tilos sérült vagy kifolyt akkukat szállítani. További útmutatásokról forduljon szállítványozási vállalatához.

A HASZNÁLATRA VONATKOZÓ ÚTMUTATÁSOK

ÖSSZESZERELÉS

A fűrészlánc és a vezetősín összeszerelése

FIGYELMEZTETÉS! Ha bármely alkatrész sérült vagy hiányzik, akkor az adott alkatrész cseréje előtt ne működtesse a gépet. Ennek a figyelmeztetésnek a figyelmen kívül hagyása súlyos személyi sérülést eredményezhet.

Gondoskodjon az akkumulátor kivételéről. Hordjon védőkesztyűt!

1. Vegye le a sínrögzítő anyákat a mellékelt kombinált villáskulcs használatával.
2. Vegye le a lánc burkolatát.
3. A láncot a megfelelő irányban helyezze a sínre és ügyeljen rá, hogy a meghajtó szemek be legyenek állítva a sín hornyában.
4. Rögzítse a sánt a gallyazófűrészhez és fűzze át a láncot a meghajtó lánckeréken.
5. Helyezze vissza a lánc burkolatát és a sínrögzítő anyákat.
6. Kézzeel húzza meg a sínrögzítő anyákat. A sínnek szabadon kell mozognia a láncfeszesség beállításához.
7. Állítsa be a láncfeszességet. Lásd a „A láncfeszesség beállítása” című fejezetet.
8. Tartsa meg a vezetősín csúcsát és húzza meg a sínrögzítő anyákat.

FIGYELMEZTETÉS! A fűrészlánc éles. Mindig viseljen védőkesztyűt, amikor a lánc karbantartását végzi.

A láncfeszesség beállítása

Az eszközön végzett mindennemű munka végzése előtt vegye ki az akkumulátort a gallyazófűrészből.

A láncfeszesség növeléséhez forgassa el a láncfeszítő csavarokat az órajárás irányába és gyakran ellenőrizze a lánc feszességét. A láncfeszesség csökkentéséhez forgassa el a láncfeszítő csavarokat az órajárással ellentétes irányban és gyakran ellenőrizze a lánc feszességét.

A láncfeszesség akkor helyes, ha a lánc vágószemek és a vezetősín közötti hézag mintegy 6,8 mm. Húzza meg a láncot a vezetősín alsó részének közepénél (eltávolítva a vezetősíntől), és mérje le a vezetősín és a vágószemek közötti távolságot. Az órajárással ellentétes irányba forgatva húzza meg a sínrögzítő anyákat.

Megjegyzés: Ne feszítse túl a láncot – a túlzott feszítés túl nagy kopást idéz elő, és csökkenti a lánc élettartamát és károsíthatja a vezetősínt. Az új láncok az első használat során meggyúlhatnak és megjelölhetnek. Vegye ki az akkumulátort és gyakran ellenőrizze a lánc feszességét a használat első két órájában. A normál használat során a lánc hőmérséklete megnő, ami a lánc nyúlását okozza. Gyakran ellenőrizze a lánc feszességét és szükség szerint állítsa. A melegen megfeszített lánc a lehűlés után túl feszes lehet. A lánc feszességét okvetlenül a jelen utasításokban leírtak szerint megfelelően állítsa be.

Lánckénő olaj betöltése

FIGYELMEZTETÉS! Lánckénés nélkül soha ne dolgozzon. Ha a fűrészlánc kenés nélkül fut, akkor a vezetősín és a fűrészlánc károsodhat. Fontos az olajsínt gyakori ellenőrzése az olajsínt-jelzőben és a gallyazófűrész használatának megkezdése előtt. Tartsa a tartályt ¼ résznél nagyobb mértékben feltöltve annak érdekében, hogy elegendő olaj legyen a munkához.

Megjegyzés: Fák gallyazása során ajánlatos növényi láncolajat használni. Az ásványolaj károsíthatja az élő fákat. Soha ne használjon fardolajat, gépjármű motorolajat vagy nagyon sűrű olajat. Ezek károsíthatják a gallyazófűrész. A szennyeződés elkerülése érdekében az olajbetöltő sapka körül tisztítsa meg a felületet.

1. Csavarja le és vegye le az olajtartály sapkáját.
2. Töltsé bele az olajat a tartályba és figyelje az olajsínt-jelzőt.
3. Helyezze vissza és húzza meg az olajtartály sapkáját. Törölje le a kifolyt olajat.

A gallyazófűrész tartása

A gallyazófűrész mindig a hátsó markolatra helyezett jobb kezével és az első markolatra helyezett bal kezével tartsa. A hüvelykujja és a többi ujjja fogja át a gallyazófűrész mindkét markolatát.

A gallyazófűrész indítása

A gallyazófűrészbe indítás előtt helyezze be az akkumulátort.

Újraindítás elleni védelem

A villamos szerszám újraindítás elleni védelemmel van ellátva.

Ez a funkció megakadályozza, hogy a bekapcsolt villamos szerszám az akkumulátor behelyezésekor magától működéskébe lépjen, illetve az akkumulátor lekapcsolási funkcióját követően újra üzemelni kezdjen.

Ha a vezetősín a fán kívül van, kapcsolja ki a gépet, majd kapcsolja be újra a munka folytatásához.

Ha a vezetősín a fán belül van, várja meg, amíg a fűrészlánc teljesen leáll. Győződjön meg a kapcsoló kikapcsolt állapotáról. Vegye ki az akkumulátort a gépből és a vezetősínt a vágatból. Helyezze be az akkumulátort, majd kapcsolja be újra a gépet a munka folytatásához.

SZÁLLÍTÁS ÉS TÁROLÁS

Tároláshoz mindig olajozza be a láncot vékonyan a rozsdásodás elkerülése érdekében. Tároláshoz mindig ürítse le az olajtartályt a szivárgás elkerülése érdekében.

Tárolás vagy szállítás előtt állítsa le a gépet, vegye ki az akkumulátort és hagyja lehűlni.

Minden idegen anyagot távolítson el a gépből. A gépet hűvös, száraz és jól szellőző, gyermekek által nem hozzáférhető helyen tárolja. Tartsa távol korrodáló anyagoktól, így kerti vegyszerektől és jégmentesítő sóktól. Kültérben ne tárolja.

A gép tárolása előtt vagy szállítása során helyezze fel a vezetősín védőburkolatát.

Járművekben történő szállításhoz rögzítse ki a gépet elmozdulás vagy leesés ellen, a személyi sérülés és a gép károsodásának elkerülése érdekében.

TISZTÍTÁS

Tisztítsa meg a nyílásokat a portól és törmelékektől. A markolatot tartsa tisztán, szárazon, olajtól és zsírtól mentesen. A tisztításra kizárólag enyhén mosószeres vizet és puha rongyot használjon, mivel bizonyos tisztító- és oldószerek kárt tehetnek a műanyag és más szigetelt részekben. Ilyen anyagok számít többek között a benzín, a terpentin, a lakkihígító, a festékkihígító, a klórtartalmú tisztítóoldatok, az ammónia és az ammóniatartalmú háztartási tisztítószer. Szerszámok közelében soha ne használjon gyúlékony vagy éghető oldószereket.

KARBANTARTÁS

FIGYELMEZTETÉS! Csak Milwaukee tartozékokat és Milwaukee pótalkatrészeket szabad használni. Ennek elmulasztása balesetet, csökkent teljesítményt okozhat, és érvénytelenítheti a garanciát.

Csak Milwaukee tartozékokat és Milwaukee pótalkatrészeket szabad használni. Az olyan elemeket, melyek cseréje nincs ismertve, cseréltesse ki Milwaukee szervizzel (lásd Garancia/Ügyfélszolgálat címei kiadványt).

FIGYELMEZTETÉS! A szervizelés rendkívüli körültekintést és tudást igényel, csak szakképzett szerviztechnikus végezheti. Javasoljuk, hogy javításra a legközelebbi MILWAUKEE szervizbe vigye be a gépet. A szervizelés során csak eredeti pótalkatrészeket használjon.

FIGYELMEZTETÉS! Beállítás, karbantartás vagy tisztítás előtt vegye ki az akkumulátort. Ennek elmulasztása súlyos személyi sérülést eredményezhet. Csak a jelen kézikönyvben ismertetett beállításokat vagy javításokat végezheti el. Más javítások érdekében forduljon hivatalos szervizhez.

Az elégtelen karbantartás miatt a láncfék és egyéb biztonsági eszközök nem működnek megfelelően, így a súlyos sérülés veszélye megnő.

A gallyazófűrész tartása szakszerűen karbantartott és biztonságos állapotban. • A lánc élezése szakképzettséget igénylő feladat. A gyártó erősen ajánlja, hogy a kopott vagy élelten láncot cserélje ki a MILWAUKEE szervizben beszerezhető új láncra. A cikkszám a jelen kézikönyvben levő műszaki adatok között található.

Tartsa be a kenésre és a láncfeszesség ellenőrzésére és állítására vonatkozó utasításokat.

A gépet minden használat után törölje át száraz puha ronggyal.

Az akkumulátortartó rekeszből távolítson el minden forgácsot, szennyeződést és törmeléket.

Gyakran ellenőrizzen minden anyacsavart, töcsavart és lemezcsavart biztonsági szempontból, hogy a gép biztonságos üzemmódban legyen. Mindennemű sérült alkatrészt valamelyik MILWAUKEE szervizben előírászerűen meg kell javíttatni vagy ki kell cseréltetni.

A vezetősín és a fűrészlánc cseréje

Viseljen védőkesztyűt.

1. Vegye ki az akkumulátort
2. Vegye le a vezetősín burkolatát
3. Vegye le a sínrögzítő anyákat a mellékelt kombinált villáskulcs használatával.
4. Vegye le a lánc burkolatát.
5. Csökkentse a fűrészlánc feszességét. Lásd „A láncfeszesség beállítása” című részt.
6. Vegye le a régi láncot a vezetősínnel együtt
7. Az új láncot a megfelelő irányban helyezze a sínre és ügyeljen rá, hogy a meghajtó szemek be legyenek állítva a sín hornyában.
8. Rögzítse a sánt a gallyazófűrészhez és fűzze át a láncot a meghajtó lánckeréken.
9. Cserélje ki a meghajtó lánckerék fedelét és a rúdrögzítő anyát.
10. Húzza meg kézzel a rúdrögzítő anyát.
11. A lánc feszességének beállításához a rúdnak szabadon kell mozognia.
12. Állítsa be a láncfeszességet. Lásd a „A láncfeszesség beállítása” című fejezetet.
13. Tartsa meg a vezetősín csúcsát és húzza meg a sínrögzítő anyákat.

FIGYELMEZTETÉS! Az élelten vagy helytelenül megélezett lánc a vágás során túl nagy motorfordulatszámhoz vezethet, ami a motor súlyos károsodását eredményezheti.

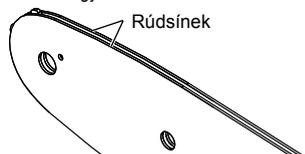
FIGYELMEZTETÉS! A helytelen láncélezés növeli a visszarúgás veszélyét.

FIGYELMEZTETÉS! A sérült lánc cseréjének vagy javításának elmulasztása súlyos sérüléshez vezethet.

FIGYELMEZTETÉS! A fűrészlánc éles. Mindig viseljen védőkesztyűt, amikor a lánc karbantartását végzi.

Vezetőrúd-karbantartás

Ha a vezetőrúdon kopás jelei mutatkoznak, fordítsa a vezetőrúdat az aljáról a tetejére a fűrészen, hogy a maximális élettartam érdekében eloszlassa a kopást. A rúdat a használat során minden nap meg kell tisztítani, és ellenőrizni kell, hogy nincs-e rajta kopás vagy sérülés. A rúdsínek tolasodása vagy sorjásodása a rúdkopás normális folyamatának tekinthető. Az ilyen hibákat azonnal el kell simítani egy reszelővel.



Ha a rúdon az alábbi hibák valamelyike jelentkezik, ki kell cserélni.

- Kopás a rúdsínek belsejében, ami lehetővé teszi a lánc oldalra fekvését.
- Hajlított vezetőrúd.
- Repedt vagy törött sínek.
- Elynyúló sínek.

Hetente kenje meg a hegyükön lánckerékkel ellátott vezetőrúdat Zsirzőfecskeolajjal hetente végezze el a kenést a kenőnyílásban.

Fordítsa el a vezetőrúdat, és ellenőrizze, hogy a kenőnyílások és a rúdsínek nem szennyezettek-e.

Karbantartási terv

Napi ellenőrzés

Sín kenése	Minden használat előtt
Láncfeszesség	Minden használat előtt és gyakran
Lánc élessége	Minden használat előtt, szemrevételezés
Sérült alkatrészek	Minden használat előtt
Meglazult kötőelemek	Minden használat előtt
Vezetősín	Minden használat előtt
Teljes fűrés	Minden használat után

Pótalkatrészek (Sín és lánc)

Gyártó	MILWAUKEE	OREGON
Lánc	4932 4801 76	90F033XTR
Vezetősín	4932 4801 69	360804

A láncot csak azonos gyártótól származó vezetősínnel szabad beszerezni, a fenti kombinációknak megfelelően.

Robbantott nézet

Szükség esetén a készülékek robbantott ábráját - a készülék típusa és azonosító száma alapján a területileg illetékes TTI márkaszerviztől vagy közvetlenül a gyártótól (Techtronic Industries GmbH, Max-Eyth-Straße 10, 71364 Winnenden, Germany) lehet kérni.

SZIMBÓLUMOK

	Kérjük alaposan olvassa el a tájékoztatót mielőtt a gépet használja.
	FIGYELEM! FIGYELMEZTETÉS! VESZÉLY!
	Karbantartás, javítás, tisztítás, stb. előtt az akkumulátort ki kell venni a készülékből.
	A gépet nem szabad esőnek kiténni.
	Ne használjon egy kézzel
	A gallyazófűrész mindig két kézzel használja
	Viseljen vágás elleni védő, csúszásmentes talppal és acél orrbetéttel rendelkező munkavédelmi lábbelit!
	Hordjon védőkesztyűt!
	Mindig viseljen védőruházatot és ellenálló lábbelit.

	Viseljen védősisakot. Hallásvédő eszköz használata ajánlott! Használjon védőszemüveget.
	Figyeljen a gallyazófűrész visszarúgására és kerülje a sín csúcsával való érintkezést
	Használat közben a közelben tartózkodók legalább 15 méterre legyenek.
	Láncolajtartály
	A láncfeszesség állításához forgassa el
	Lánc futásiránya
	Azokat a tartozékokat, amelyek gyárilag nincsenek a készülékhez mellékelve, külön lehet megrendelni.
	A hulladékelemeket, az elektromos és elektronikus berendezések hulladékait nem szabad a háztartási hulladékkal együtt ártalmatlanítani. A hulladékelemeket, az elektromos és elektronikus berendezések hulladékait elkülönítve kell gyűjteni és ártalmatlanítani. Az ártalmatlanítás előtt távolítsa el a hulladékelemeket, a hulladékkumulátorokat és az izzókat a berendezésekből. A helyi hatóságoknál vagy szakkereskedőjénél tájékozódjon a hulladékudvarokról és gyűjtőhelyekről. A helyi rendelkezésektől függően a kiskereskedők kötelesek lehetnek a hulladékelemeket, az elektromos és elektronikus berendezések hulladékait ingyenesen visszavenni. A hulladékelemek, az elektromos és elektronikus berendezések hulladékainak újrahasználatával és újrahasznosításával járuljon hozzá a nyersanyagszükséglet csökkentéséhez. A hulladékelemek (mindenekelőtt a lítium-ion elemek), az elektromos és elektronikus berendezések hulladékai értékes újrahasznosítható anyagokat tartalmaznak, melyek környezetvédelmi szempontból nem megfelelő ártalmatlanítás esetén negatív hatással lehetnek a környezetre és az Ön egészségére. Ártalmatlanítás előtt törölje a használt készüléken lévő lehetséges személyes adatokat.
	Szavatolt hangteljesítményszint 79 dB(A)
v_0	Terhelésmentes láncsebesség
V	Feszültség
	Egyenáram
	Európai megfelelőségi jelölés
	Egyesült királyságbeli megfelelőségi jelölés
	Ukrán megfelelőségi jelölés

	Eurázsiai megfelelőségi jelölés
--	---------------------------------

TEHNIČNI PODATKI	M18 FHS20
Model	Žaga za obrezovanje
Proizvodna številka	4916 50 01 XXXXXX MJJJJ
Napetost izmenljivega akumulatorja	18 V =
hitrost verige brez obremenitve	4,8 m/s
Dolžina meča maks.	8" / 200 mm
Uporabna dolžina rezanja	7,4" / 189 mm
Kapaciteta rezervoarja za verižno olje	77 ml
Teža po EPTA-proceduri 01/2014 01/2014 (Li-Ion 2.0 Ah .. 12.0 Ah)	2,8 kg 3,9 kg
Priporočena temperatura okolice za obratovanje	-18 ... +50 °
Priporočeni kompleti akumulatorjev	M18B...; M18HB...
Priporočeni polnilniki	M12-18...; M1418C6
Informacije o hrupnosti: Vrednosti merjenja ugotovljene ustrezno z EN 62841. Raven hrupnosti naprave ovrednotena z A, znaša tipično:	
Nivo zvočnega tlaka / Nevarnost K=	81 dB (A) / 3 dB (A)
Višina zvočnega tlaka / Nevarnost K=	89 dB (A) / 3 dB (A)
Nosite zaščito za sluh!	
Informacije o vibracijah: Skupna vibracijska vrednost (Vektorska vsota treh smerdoločena ustrezno EN 62841.	
Vibracijska vrednost emisij a_h / Nevarnost K=	4,9 m/s ² / 1,5 m/s ²

OPOZORILO!

Raven vibracij in hrupa, navedena v tem informativnem listu, je bila izmerjena v skladu s standardiziranim preskusom iz EN 62841 in jo je mogoče uporabljati za primerjavo orodij med seboj. Mogoče jo je tudi uporabiti za predhodno oceno izpostavljenosti.

Navedena raven vibracij in hrupa predstavlja glavno uporabo orodja. Če pa se orodje uporablja za različne namene, z različnimi dodatki ali slabo vzdrževano, se lahko vibracije in hrup razlikujejo. To lahko znatno poveča raven izpostavljenosti v celotnem delovnem obdobju.

Pri oceni ravnih izpostavljenosti vibracijam in hrupu je treba upoštevati tudi čas, ko je orodje izklopljeno ali ko teče, vendar dejansko ne opravlja dela. To lahko bistveno zmanjša raven izpostavljenosti v celotnem delovnem obdobju.

Ugotovite dodatne varnostne ukrepe za zaščito upravljalca pred učinki vibracij in/ali hrupa, kot so: vzdrževanje orodja in dodatkov, tople roke, organizacija delovnih vzorcev.

Nosite zaščito za sluh. Razvijanje hrupa lahko povzroči izgubo sluha.

 OPOZORILO! Preberite vse varnostne napotke, navodila, prikaze in podatke, ki ste jih prejeli skupaj z napravo. Zaradi nepoštovanja spodaj navedenih navodil lahko pride do električnega udara, požara in/ali težkih telesnih poškodb.
Vsa opozorila in napotila shranite, ker jih boste v prihodnje še potrebovali.

SPLOŠNA VARNOSTNA OPOZORILA ZA ŽAGO ZA OBREZOVANJE

a) Med delovanjem žage za obrezovanje poskrbite, da se ji ne približujete z nobenim delom telesa. Pred zagonom žage za obrezovanje se prepričajte, da se žaga za obrezovanje ničesar ne dotika. V trenutku nepozornosti se med delovanjem žage za obrezovanje vanjo lahko zapletejo vaša oblačila ali deli telesa.

b) Žago za obrezovanje vedno držite z desno roko za zadnji ročaj in z levo roko sprednji ročaj. Če žago za obrezovanje držite v obratnem zaporedju rok, obstaja večje tveganje za telesne poškodbe, zato to ni dovoljeno.

c) Žago za obrezovanje držite samo za izolirane površine za prijetje, saj veriga lahko pride v stik s skritimi žicami.

Verige žage za obrezovanje, ki so v stiku z žico pod napetostjo, lahko prenesejo napetost na izpostavljene kovinske dele žage za obrezovanje in povzročijo električni udar.

d) Nosite zaščito za oči. Priporočljiva je tudi uporaba za zaščito sluha, glave, rok, nog in stopal. Ustrezna varovalna oprema zmanjša možnosti telesnih poškodb zaradi letčih odpadkov ali nenamernega stika z verigo.

e) Žage za obrezovanje ne uporabljajte, ko ste na drevesu, lestvi, strehi ali kateri koli drugi nestabilni površini. Uporaba žage za obrezovanje na tak način lahko povzroči hude telesne poškodbe.

f) Vedno pazite na ustrezen položaj nog in uporabljajte žago za obrezovanje samo, če stojite na fiksni, varni in ravni površini. Zaradi drsečih ali nestabilnih površin lahko izgubite ravnotežje ali nadzor nad žago za obrezovanje.

g) Ko žagate veje pod napetostjo, bodite pozorni na morebiten povratni udarec. Ko se lesna vlakna sprostito, veja lahko kot vzmet

udari nazaj v uporabnika in/ali povzroči izgubo nadzora nad žago za obrezovanje.

h) Pri žaganju podrašč in poganjkov. Vitek material se lahko zatakne za motorno žago, ki ga lahko izvrže proti vam ali vas povleče iz ravnotežja.

i) Žago za obrezovanje prenašajte izključno tako, da jo držite za sprednji ročaj in stran od svojega telesa. Med transportom ali shranjevanjem mora biti meč vedno pokrit z zaščitnim pokrovom. Pravilno ravnanje z žago za obrezovanje bo zmanjšalo verjetnost nenamernega stika s premikajočo se verigo.

j) Upoštevajte navodila za mazanje, napetost verige in zamenjave meča in verige. Nepravilno napeta ali namazana veriga se lahko strga ali poveča možnost povratnega udarca.

k) Ročaji morajo biti suhi, čisti in nemastni. Mastni, oljnati ročaji so spolzki, zaradi česar lahko izgubite nadzor.

l) Žagajte samo les. Žage za obrezovanje ne uporabljajte pri servisiranju žage za obrezovanje upoštevajte vsa pravila. Prepričajte se, da je stikalo izklopljeno in akumulatorska baterija odstranjena. Nepričakovano aktiviranje žage za obrezovanje med odstranjevanjem zagodenega materiala ali servisiranjem lahko povzroči hude telesne poškodbe.

Vzroki in preprečevanje povratnega udarca: Do povratnega udarca lahko pride, ko se nos oziroma konica meča dotakne predmeta ali ko les zagradi in vklešči motorno žago v rezu. Stik s konico v nekaterih primerih lahko povzroči nenadno povratno reakcijo, tako da potisne meč navzgor in nazaj proti uporabniku. Če je veriga vkleščena na vrhu meča, lahko meč sunkovito potisne nazaj proti uporabniku.

Katera koli od teh reakcij lahko povzroči izgubo nadzora nad žago, kar lahko povzroči hude telesne poškodbe. Ne zanašajte se izključno na varovala, ki so nameščena na vaši žagi.

Kot uporabnik žage za obrezovanje morate izvesti več ukrepov, s katerimi poskrbite, da bo žaganje varno pred nesrečami in telesnimi poškodbami.

Povratni udarec je posledica zlorabe žage za obrezovanje in/ali nepravilnega postopka uporabe oziroma pogojev in se mu je mogoče izogniti s spodaj naštetimi ustreznimi ukrepi:

a) Čvrsto držite žago za obrezovanje tako, da s palci in z drugimi prsti obeh rok objamete ročaje, ter telo in roke postavite v položaj, v katerem lahko prestežete protipovratne sile. Povratne sile uporabnik lahko nadzoruje, če izvede ustrezne preventivne ukrepe. Žage za obrezovanje ne izpostavljajte.

b) Ne segajte predalec naprej in ne režite na višini nad višino ramen. To pomaga preprečiti nenameren stik s konico in omogoča boljši nadzor nad žago za obrezovanje v nepričakovanih situacijah.

c) Uporabljajte samo nadomestne meče in verige, ki jih je določil proizvajalec. Nepravilna zamenjava mečev in verig lahko poškoduje stroj in/ali povzroči povratni udarec.

d) Upoštevajte proizvajalčeva navodila za brušenje in vzdrževanje verige. Zmanjšanje območja globinskega omejevalnika lahko povzroči močnejši povratni udarec.

NADALJNA VARNOSTNA IN DELOVNA OPOZORILA

Priporočljivo je, da pri prvi uporabi stroja debela žagata na kozi ali v primežu.

Privezovanje

Privezovanje samo z vrvicami, ki absorbirajo energijo. Privezo pritrđite samo na zanko za vrvico.

Vrvice ne vežite na ročaj, pokrov vodila ali katero koli drugo točko na orodju.

Poskrbite, da bodo vsa varovala, ročaji in ostroga ustrezno nameščeni in v dobrem stanju.

Osebe, ki uporabljajo žago za obrezovanje, morajo biti v dobrem zdravstvenem stanju. Žaga za obrezovanje je težka, zato mora biti uporabnik ustrezno fizično pripravljen.

Uporabnik mora biti pozoren, imeti dober vid, gibljivost, ravnotežje in ročno spretnost. V primeru dvoma žage za obrezovanje ne uporabljajte.

Žago za obrezovanje začnite uporabljati šele, ko boste imeli čisto delovno območje, ko boste stali stabilno in ko boste imeli določeno pot umika stran od padajočega drevesa. Pazite na uhajanje mazivne meglvice in žagovine. Po potrebi nosite masko ali respirator.

Ne žagajte ovjalk in/ali majhne podrasti.

Med delovanjem žago za obrezovanje vedno držite z obema rokama. Vedno držite čvrsto, tako da palci in ostali prsti objemajo ročaja žage za obrezovanje. Vedno držite z desno roko za zadnji ročaj in z levo roko sprednji ročaj.

Pred zagonom žage za obrezovanje se prepričajte, da se žaga za obrezovanje ne dotika nobenega predmeta.

Ne spreminjajte žage za obrezovanje na noben način oziroma je ne uporabljajte za napajanje nobenih priključkov ali naprav, ki jih proizvajalec ni odobril.

V bližini uporabnika mora biti prisoten komplet prve pomoči z velikimi zloženci za rane in sredstvi za priložnostno pozornost (npr. piščalka). Večji, obsežnejši komplet mora biti v razumni bližini.

Napačno napeta veriga lahko skoči z letve in povzroči hude poškodbe ali smrt. Dolžina verige je odvisna od temperature. Redno preverjajte napetost verige.

Seznajte se z žago za obrezovanje, tako da v varno zavarovan les naredite preproste reze. To vedno naredite takrat, ko žage za obrezovanje ne uporabljate dlje časa. Za zmanjšanje tveganja stika z gibljivimi deli, motor vedno zaustavite, odstranite akumulatorsko baterijo in se prepričajte, ali so se vsi gibljivi deli popolnoma zaustavili, pred:

- čiščenjem ali odstranjevanjem zagozdenega materiala
- puščanjem stroja brez nadzora
- nameščanjem ali odstranjevanjem priključkov
- preverjanjem, vzdrževanjem ali delom na stroju

Velikost delovnega območja je odvisna od vrste dela in velikosti drevesa ali kosa lesa, ki ga želite žagati. Na primer, podiranje dreves zahteva večje delovno območje kot izvajanje drugih rezov, npr. kleščenje itd. Uporabnik se mora zavedati vsega, kar se dogaja v delovnem območju, in to imeti pod nadzorom.

Ne žagajte v položaju, da je telo v isti liniji kot sta meč in veriga. Če se zgodi povratni udarec, boste s tem preprečili, da bi ta dela prišla v vašo glavo ali telesom.

Žage ne premikajte naprej in nazaj, pustite, da delo opravi veriga. Skrbite, da bo veriga ostrina in ne poskušajte potiskati verige skozi rez.

Ob koncu reza ne pritiskajte na žago. Bodite pripravljeni, da boste prestregli težo žage, ko boste do konca odrezali les. Te tega ne boste naredili, lahko pride do hudih telesnih poškodb.

Žage ne zaustavljajte na sredini žaganja.

Žaga naj deluje, dokler ni popolnoma odstranjena od reza. Stikala za vklop/izklop pri ročno vodenem obratovanju ne fiksirate.

Pred vsemi deli na stroju odstranite izmenljivi akumulator.

⚠ OPOZORILO! V izogib, s kratkim stikom povzročene nevarnosti požara, poškodb ali okvar na proizvodu, orodja, izmenljivega akumulatorja ali polnilne naprave ne potaplajte v tekočine in poskrbite, da ne bo prihajalo do vdora tekočin v naprave in akumulatorje. Korozivne ali prevodne tekočine, kot so slana voda, določene kemikalije in belila ali proizvodi, ki le ta vsebujejo, lahko povzročijo kratek stik.

Izmenljive akumulatorje sistema M18 polnite samo s polnilnimi aparati sistema M18. Ne polnite nobenih akumulatorjev iz drugih sistemov.

Izmenljivih akumulatorjev in polnilnih aparatov ne odpirajte in jih hranite samo v suhih prostorih. Zaščitite jih pred mokroto.

Potisk in vlek

Reakcijska sila je vedno nasprotna smeri gibanja verige. Zato mora biti uporabnik pripravljen, da obvlada tendenco stroja k vleku v stran (gib naprej), ko žaga na zgornjem robu meča in potisku nazaj (proti uporabniku), ko žaga ob zgornjem robu.

Zagozdena žaga v rezu

Zaustavite žago za obrezovanje in poskrbite, da bo varna. Ne poskušajte izvleči verige in meča iz reza na silo, saj pri tem obstaja velika verjetnost, da boste strgali verigo, ki lahko udari nazaj in udari uporabnika. Do te situacije običajno pride, ker les ni pravilno podprt, kar prisili rez, da se zapre pod pritiskom in pri tem vklešči rezilo. Če prilagajanje podpore ne sprostite meča in verige, uporabite lesene klade ali vzvod in razprite rez ter sprostite žago. Nikoli ne zaganjajte žage za obrezovanje, ko je meč že v rezu oziroma zarezi.

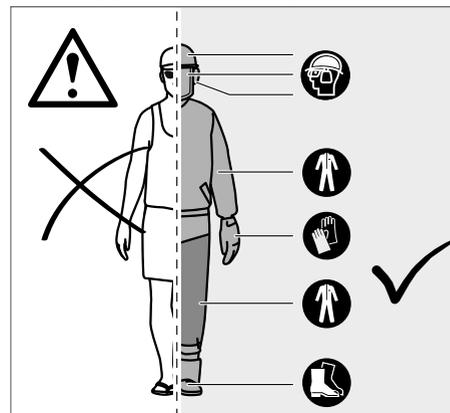
Zdrs/odboj

Ko se žaga za obrezovanje ne poglubi v rez, lahko meč začne poskakovati ali nevarno zdrsne ob površini debela ali veje, zaradi česar lahko izgubite nadzor nad žago za obrezovanje. Zdrs ali odboj lahko preprečite tako, da žago vedno držite z obema rokama in poskrbite, da žaga za obrezovanje zareže utor za rezanje. Z žago za obrezovanje nikoli ne žagajte majhnih, elastičnih vej ali grmov. Zaradi majhne velikosti in elastičnosti se žaga zlahka lahko odbije v vas ali pa pridobi dovolj moči, da udari nazaj. Najboljše orodje za takšna dela so ročna žaga, škarje za živo mejo, sekira ali druga ročna orodja.

Osebnna varovalna oprema

Ves čas uporabe stroja nosite čelada. Čelada, opremljena za mrežastim vizirjem, lahko pomaga pri zmanjševanju tveganja za poškodbe obraza in glave v primeru povratnega udarca. Nosite zaščito za sluh!

Kakovostna osebna varovalna oprema, ki jo uporabljajo profesionalci, pomaga zmanjšati tveganje poškodb uporabnika. Pri uporabi stroja je treba uporabiti spodaj našete predmete:



varnostna čelada

mora biti skladno z EN 397 in označeno z znakom CE

zaščita za sluh

mora biti skladno z EN 352-1 in označeno z znakom CE

zaščita za oči in obraz

mora biti skladno z znakom CE in skladno z EN 166 (za varnostna očala) ali EN 1731 (za mrežaste vizirje)

rokavice

mora biti skladno z EN381-7 in označeno z znakom CE

zaščita za noge (ščitniki)

mora biti skladno z EN 381-5, označeno z znakom CE in omogočati zaščito z vseh smerimora biti skladno z EN 381-5, označeno z znakom CE in omogočati zaščito z vseh smeri

Varnostni škornji za delo z žago za obrezovanje

mora biti skladno z EN ISO 20345:2004 in označeno s tablico, ki prikazuje žago za obrezovanje, s čimer izkazuje skladnost z EN 381-3. (Občasni uporabniki smejo uporabljati zaščitne čevlje s kovinsko kapico z zaščitnimi gamašami, skladnimi z EN 381-9, če so tla ravna in obstaja majhno tveganje za spotik ali zapletanje v podrast.)

Jakne za zaščito zgornjega dela telesa med delom z žago za obrezovanje

mora biti skladno z EN 381-11 in označeno z znakom CE

SPOZNAJTE SVOJO ŽAGO ZA OBREZOVANJE

1	Sprednji ročaj	11	Ostroga
2	Ščitnik desne roke	12	Veriga
3	Naprava za zaklepanje	13	Meč
4	Glavno stikalo	14	Reža meča
5	Zadnji ročaj	15	Gonilo za verigo
6	Pokrovček za mazivo verige	16	Pokrov zobnikov za pogon
7	Rezervoar za verižno olje	17	Vijak za napenjanje verige
8	Ščitnik roke zadaj	18	matica za namestitev meča
9	Kombinirni ključ	19	Zaščitni pokrov za meč
10	Baterije		

⚠ OPOZORILO!

Posledice neustreznega vzdrževanja, odstranjevanja in spreminjanja varnostnih lastnosti, kot so stikalo za vžig, ščitnik za roko (spredaj in zadaj), ostroga, lovilec verige, meč, zaščita verige pred povratnim udarcem lahko povzročijo nepravilno delovanje varnostnih lastnosti in zato povečajo tveganje za hude telesne poškodbe.

Ostroga

Vgrajeno ostrogo lahko uporabite kot os pri izvedbi reza. Pomaga, če pri žaganju stabilno držimo ohišje žage. Pri žaganju pritisnite stroj naprej, dokler kovinski trni ne prodrejo v rob lesa. Če nato zadnji ročaj dvignete navzgor ali navzdol proti rezu, lahko zmanjšate fizično obremenitev pri žaganju.

Meč

Praviloma velja, da imajo meči s konico manjšega premera nekoliko manjšo verjetnost za povratni udarec. Uporabljajte meč in ustrezno verigo, ki sta ravno pravnjše dolžine za delo, ki ga želite opraviti. Daljši meči povečajo tveganje za izgubo nadzora nad žaganjem. Redno preverjajte napetost verige. Ko žagate manjše veje (manj kot celotna dolžina meča), obstaja večja verjetnost, da se bo ob nepravilni napetosti snela veriga.

NAVODILA ZA PRAVILNE TEHNIKE OSNOVNEGA PODIRANJA, KLEŠČENJA IN PREŽAGOVANJA

Razumevanje sil znotraj lesa

Če razumete smeri pritiskov in napetosti znotraj lesa, lahko manjšate število »vpenjanj« ali ga vsaj pričakujete med rezanjem. Napetost v lesu pomeni, da vlakna vleče narazen in če prežete to področje, se bo »zarez« oziroma rez med žaganjem razpila. Če je deblo podprto s kozo, konec pa nepodprt visi čez rob, se zaradi teže visečega dela, ki raztegne vlakna, ustvari napetost na zgornji površini. Hkrati je spodnja stran debela, in s tem tudi vlakna, stisnjena. Če zarezete v tem območju, bo zarez med rezanjem stremela k zapiranju, kar pa bi vkleščilo meč.

Kleščenje vej

Kleščenje pomeni odstranjevanje vej podrtga drevesa. Pri kleščenju pustite spodnje večje veje za oporo, da bodo držale drevo nad tlemi. Manjše veje odstranite z enim rezom. Veje, ki so pod napetostjo, odrežite od spodaj navzgor, da preprečite zagozdenje žage za obrezovanje.

Žaganje napetega lesa

Napet les je deblo, veja, zaraščen štor ali poganjek, ki ga je pod napetostjo upognil drug les in udari nazaj, ko odžagamo ali odstranimo drug les.

Pri podrtem drevesu je zelo verjetno, da bo zaraščen štor skočil nazaj v svoj pokončni položaj, ko pri prežaganju debela tega ločimo od štora. Pazite na napet les, saj je zelo nevaren.

⚠ OPOZORILO! Napet les je nevaren in lahko udari uporabnika, zaradi česar uporabnik lahko izgubi nadzor nad žago za obrezovanje. To lahko povzroči hude ali usodne poškodbe uporabnika. To smejo izvajati samo ustrezno usposobljeni uporabniki.

UPORABA V SKLADU Z NAMEDBOSTJO

Brezžična žaga za obrezovanje je namenjena samo za uporabo na prostem.

Žago za obrezovanje je treba iz varnostnih razlogov vedno ustrezno upravljati z obema rokama.

Žaga za obrezovanje je zasnovana za žaganje vej, stebel, debel in tramov premera, ki ga določa rezalna dolžina meča. Zasnovana je samo za žaganje lesa. Uporabljati jo smejo samo odrasle osebe, ki so bile ustrezno poučene o tveganjih in preventivnih ukrepih/ravnanjih pri uporabi žage za obrezovanje.

Žage za obrezovanje ne uporabljajte za namene, ki niso navedeni zgoraj. Ni je dovoljeno uporabljati v okviru profesionalnih del za vzdrževanje dreves. Žage za obrezovanje ne smejo uporabljati otroci in osebe, ki ne nosijo potrebne osebne varovalne opreme in oblačil.

⚠ OPOZORILO! Pri uporabi te žage za obrezovanje je treba upoštevati varnostna navodila. Za lastno varnost in varnost drugih oseb preberite ta navodila pred uporabo žage za obrezovanje. Obiščite organiziran strokovni tečaj varnega ravnanja, preventivnih ukrepov, prve pomoči in vzdrževanja žage za obrezovanje. Navodila shranite za poznejše branje.

⚠ OPOZORILO! Žage za obrezovanje so potencialno nevarna orodja. Posledica nesreč zaradi uporabe žage za obrezovanje so pogosto izguba udov ali smrt. Tveganja ne predstavlja le sama žaga za obrezovanje. Padajoče veje, vrhovi dreves in kotaleča se debila so lahko smrtonosni. Dodatna tveganja predstavlja bolan ali gnil les. Ocenite svojo sposobnost za opravljanje tega opravila. V primeru dvoma delo raje prepustite profesionalnemu gozdnemu delavcu.

Ta naprava se sme uporabiti samo v skladu z namembnostjo uporabiti samo za navede namene.

PREOSTALE NEVARNOSTI

Celo pri pravilni uporabi proizvoda preostalih nevarnosti ni mogoče popolnoma izključiti. Pri uporabi lahko nastopijo sledeča tveganja, zaradi česar mora upravljalec upoštevati naslednje:

- Ipoškodbe zaradi vibracij.
- Vedno uporabljajte pravo orodje za posamezno opravilo. Uporabite ustreza držala. Omejite delovni čas in izpostavljenost.
- Poškodbe sluha zaradi izpostavljenosti hrupu.
- Nosite zaščitno za sluh in omejite izpostavljenost.
- Poškodbe zaradi stika z nezavarovanimi zobni verige
- Poškodbe zaradi izvrženih koščkov obdelovanca (žaganje, trske)
- Poškodbe zaradi prahu in majhnih delcev.
- Poškodbe kože zaradi stika z mazivi.
- Deli, ki jih izvrže motorna žaga (nevarnost ureza/vboda).
- Nepredvideno, nenadno gibanje, ali povratni udarec meča (nevarnost ureza)

ZMANJŠEVANJE TVEGANJ

- Obstajajo poročila o tem, da vibracije ročnih orodij pri nekaterih posameznikih lahko prispevajo k obolenju, imenovanem Raynaudov sindrom. Simptomi so lahko mravljinčenje, otopelost in obeljenje prstov, običajno vidno ob izpostavljenosti mrazu. Dejavniki dednosti, izpostavljenost hladu in vlagi, prehrana, kajenje in delovna praksa še dodatno prispevajo k razvoju teh simptomov. Uporabnik lahko izvede ukrepe, s katerimi lahko zmanjša vplive vibracij:

- poskrbite, da bo telo toplo v hladnem vremenu. Med uporabo stroja nosite rokavice, da ohranite toploto rok in zapestij.
- Po vsakem obdobju delovanja izvedite razgibalne vaje, da povečate kroženje krvi.
- Izvajajte redne premore med delom. Omejite količino izpostavljenosti na dan.
- Zaščitne rokavice profesionalnih prodajalcev žag za obrezovanje so zasnovane prav za uporabo skupaj z žagami za obrezovanje in omogočajo zaščito, dober oprijem, pa tudi zmanjšajo učinek vibracij na ročajih. Te rokavice morajo biti skladne z EN 381-7 in označene z oznako CE.

Če opazite katerega koli od simptomov takoj prenehajte z uporabo in se posvetujte z zdravnikom.

⚠ OPOZORILO! Če uporabljate orodje dlje časa, lahko pride do telesnih poškodb ali pa se te poslabšajo. Če uporabljate katero koli orodje dlje časa, poskrbite za redne premore.

NAPOTKI ZA LITIJ-IONSKE AKUMULATORJE

Uporaba litij-ionskih akumulatorjev

Izmenljive akumulatorje, ki jih daljši čas niste uporabljali, pred uporabo naknadno napolnite.

Temperatura nad 50°C zmanjšuje zmogljivost izmenljivega akumulatorja. Izogibajte se daljšemu segrevanju zaradi sončnih žarkov ali gretja.

Pazite, da ostanejo priključni kontakti na polnilnem aparatu in izmenljivem akumulatorju čisti.

za optimalno življenjsko dobo je potrebno akumulatorje po uporabi do konca napolniti.

Za čim daljšo življenjsko dobo naj se akumulatorji po napolnitvi vzamejo ven iz naprave za polnjenje.

Pri skladiščenju akumulatorjev dalj kot 30 dni:

Baterijo hranite pri temperaturi pod 27 °C in na mestu, kjer ni vlage.

Akumulator skladiščiti pri 30%-50% stanja polnjenja.

Akumulator spet napolniti vsakih 6 mesecev.

Preobremenitvena zaščita litij-ionskih akumulatorjev

V primeru preobremenitve akumulatorja zaradi visoke porabe toka, npr. ekstremno visokih vrtilnih momentov, nenadne zaustavitve ali kratkega stika, električno orodje 5 sekund vibira, prikazovalnik polnjenja utripa, električno orodje pa se samodejno izklopi.

Za ponoven vklop izpusite pritisko stikalo in nato znova vklopite. Pod ekstremnimi obremenitvami se akumulator premočno segreva. V tem primeru utripajo vse lučke prikazovalnika polnjenja dokler se akumulator ne ohladi. Za tem, ko prikazovalnik polnjenja ugasne lahko z delom nadaljujemo.

Transport litij-ionskih akumulatorjev

Litij-ionski akumulatorji so podvrženi zakonskim določbam transporta nevarnih snovi.

Transport teh akumulatorjev se mora izvajati upoštevajoč lokalne, nacionalne in mednarodne predpise in določbe.

Potrošniki lahko te akumulatorje še nadalje transportirajo po cesti.

Komercialni transport litij-ionskih akumulatorjev s strani špediterskih podjetij je podvržen določbam transporta nevarnih snovi. Priprava odpreme in transporta se lahko vrši izključno s strani ustrezno izšolanih oseb. Celoten proces je potrebno strokovno spremljati.

Pri transportu akumulatorjev je potrebno upoštevati sledeče točke:

V izogib kratkim stikom zagotovite, da bodo kontakti zaščiteni in izolirani.

Bodite pozorni na to, da paket akumulatorja v notranjosti embalaže ne bo mogel zdrsniti. Poškodovanih ali iztekajočih akumulatorjev ni dovoljeno transportirati. Za nadaljnja navodila se obrnite na vaše špeditersko podjetje.

PRACOVNJE POKYNY

SESTAVLJANJE

Sestavljanje verige in meča

⚠ OPOZORILO! Če je kateri del poškodovan ali manjka, stroja ne uporabljajte, dokler ne zamenjate vseh delov. Če ne upoštevate tega opozorila, lahko pride do hudih telesnih poškodb.

Odstranite akumulatorsko baterijo. Nositi zaščitne rokavice

1. Odstranite matice za namestitev meča s priloženim kombinirnim ključem.
2. Odstranite zaščito za verigo.
3. Namestite verigo v pravilni smeri na meč in se prepričajte, da so členki pogona poravnani z rezo meča.
4. Namestite meč na žago za obrezovanje in namestite verigo okoli verižnika.
5. Namestite zaščito za verigo in matice za namestitev meča.
6. Matice za namestitev meča zategnite s prsti. Za nastavljanje napetosti verige mora biti meč gibljiv.
7. Prilagodite napetost verige. Glejte poglavje »Nastavljanje napetosti verige«.
8. Držite vrh meča pokonci navzgor in močno zategnite matice za namestitev meča.

⚠ OPOZORILO! Veriga je ostra. Pri opravljanju vzdrževalnih del na verigi vedno nosite rokavice.

Prilaganje napetosti verige

Pred kakršnim koli delom na žagi za obrezovanje odstranite akumulatorsko baterijo.

Napetost verige povečate tako, da vijak za napenjanje verige zavrtite v smeri urinega kazalca in pogosto preverjate napetost

verige. Za zmanjšanje napetosti verige vijak za napenjanje verige obrnite v nasprotni smeri urinega kazalca in redno preverjajte napetost verige.

Napetost verige je pravilna, če vrzel med rezili v verigi in mečem znaša približno 6,8 mm. Povlecite verigo na sredini spodnje strani meča navzdol (stran od meča) in izmerite razdaljo med mečem in rezili v verigi. Zategnite matice za namestitev meča, tako da jih zavrtite v nasprotni smeri urinega kazalca.

Napetek: Verige ne napenjajte preveč – pretirana napetost povzroči pretirano obrabo in skrajša življenjsko dobo verige ter lahko poškoduje meč. Pri prvi uporabi se nove verige lahko raztegnejo ali zrahajo. V prvih dveh urah uporabe redno odstranjujte akumulatorsko baterijo in preverjajte napetost verige. Med običajnim delovanjem se veriga segreje, kar povzroči raztezanje. Redno preverjajte napetost verige in jo po potrebi prilagodite. Veriga, ki jo napnete toplo, bo ohlajena lahko prenapeta. Prepričajte se, da je napetost verige skladna s temi navodili.

Dodajanje verižnega olja

⚠ OPOZORILO! Nikoli ne delajte brez verižnega olja. Če veriga teče brez olja, se lahko poškoduje, prav tako pa tudi meč. Pomembno je, da redno preverjate raven olja v inšpekcijskem okencu za olje in pred začetkom uporabe žage za obrezovanje. Rezervoar naj bo napolnjen za več kot ¼, da bo za opravilo na voljo dovolj olja.

Napetek: Za obrezovanje dreves je priporočena uporaba verižnega olja na rastlinski osnovi. Mineralno olje lahko škoduje drevesom. Nikoli ne uporabljajte odpadnega motornega olja ali zelo gostih olj. Lahko poškodujejo žago za obrezovanje. Očistite območje okoli pokrovnčka za olje, da preprečite kontaminacijo.

1. Odvijte in odstranite pokrovček z rezervoarja za olje.
2. Nalijte olje v rezervoar za olje in spremljajte raven olja skozi inšpekcijsko okence.
3. Namestite pokrovček za olje nazaj in ga privijte. Obrišite morebitno razlivanje.

Držanje žage za obrezovanje

Žago za obrezovanje vedno držite z desno roko za zadnji ročaj in z levo roko sprednji ročaj. Oba ročaja objemite s palci in preostalimi prsti.

Zagon žage za obrezovanje

Pred zagonom žage za obrezovanje namestite baterijo v žago za obrezovanje.

Zaščita pred ponovnim zagonom

Električno orodje je dobavljeno z zaščito pred ponovnim zagonom. S tem boste preprečili, da samesterji vklop električnega orodja pri vstavljanju akumulatorske baterije in ponovni zagon po aktiviranju funkcije izklopa akumulatorske baterije.

Če je meč zunaj lesa, izklopite stroj in ga za nadaljevanje dela ponovno vklopite.

Če je meč v lesu, počakajte, da se veriga motorne žage popolnoma zaustavi. Prepričajte se, da je stikalo v položaju za izklop. Odstranite baterijo iz stroja in meč iz reza. Vstavite baterijo in nato stroj ponovno vklopite, da nadaljujete delo.

TRANSPORT IN SHRANJEVANJE

Pri shranjevanju vedno rahlo naoljite verigo, da preprečite rjavenje. Pri shranjevanju vedno izpraznite rezervoar za olje, da preprečite puščanje.

Pred shranjevanjem in transportom zaustavite stroj, odstranite akumulator, in počakajte, da se ohladi.

Z stroja odstranite vse tujke. Shranjujte stroj v hladnem, suhem in dobro prezračenem prostoru, nedosegljivo otrokom. Ne shranjujte v bližini korozivnih sredstev, kot so vrtno kemikalije in soli za odstranjevanje zaledenosti. Ne shranjujte na prostem.

Namestite zaščitni pokrov za meč pred shranjevanjem stroja ali za transport.

Pri prevažanju v vozilih motorno žago zavarujte pred premikanjem ali padci, da preprečite poškodbe oseb ali stroja.

ČIŠČENJE

Z odprtini očistite prah in umazanijo. Ročaj naj bo vedno čist, suh in brez olja ali masti. Za čiščenje uporabljajte samo blago milnico in vlažno krpo, saj so nekatera čistilna sredstva in topila škodljiva za plastiko in druge izolirane dele. Nekateri od teh vsebujejo bencin, terpentini, razredčilo za lak, razredčilo za barve, klorirana čistila, amoniak in gospodinjska čistilna sredstva, ki vsebujejo amoniak. V bližini orodja nikoli ne uporabljajte gorljivih ali vnetljivih topil.

VZDRŽEVANJE

⚠ OPOZORILO! Uporabljajte samo Milwaukee pribor in Milwaukee nadomestne dele. Če tega ne boste upoštevali, lahko pride do telesnih poškodb, slabe zmogljivosti in prenehanja veljavnosti garancije.

Uporabljajte samo Milwaukee pribor in Milwaukee nadomestne dele. Poskrbite, da sestavne dele, katerih zamenjava ni opisana, zamenjajo v Milwaukee servisni službi (upoštevajte brošuro Garancija aslovi servisnih služb).

⚠ OPOZORILO! Servisiranje zahteva posebno skrbnost in ga sme izvajati samo usposobljen servisni tehnik. Priporočamo, da stroj za popravilo prinesete na servis MILWAUKEE. Pri servisiranju uporabite samo identične nadomestne dele.

⚠ OPOZORILO! Pred nameščanjem, vzdrževanjem ali čiščenjem odstranite akumulator. Če tega ne naredite, lahko pride do hudih telesnih poškodb. V tem priročniku opisane prilagoditve in popravila smete izvajati samo ročno. Za druga popravila stopite v stik s pooblaščenim servisierjem.

Posledice neustreznega vzdrževanja lahko povzročijo strganje verige in pravilno delovanje drugih varovalnih lastnosti in zato povečajo tveganje za hude poškodbe.

Poskrbite, da bo vaša žaga za obrezovanje vzdrževana profesionalno in varna. • Varno brušenje verige je spretnost, zato proizvajalec priporoča, da obrabljeno ali topo verigo zamenjate z novo, ki je na voljo pri vašem servisierju MILWAUKEE. Številka dela je na voljo v tabeli specifikacij, ki je del tega priročnika.

Upoštevajte navodila za mazanje ter preverjanje in nastavljanje napetosti verige.

Po vsaki uporabi očistite stroj z mehko suho krpo.

Odstranite žagovino, umazanijo in nečistoče iz prostora za akumulator.

V pogostih intervalih preverjajte vse matice, sornike in vijake, da zagotovite varno delovanje stroja. Vse poškodovane dele mora ustrezno vzdrževati ali zamenjati servis MILWAUKEE.

Zamenjava meča in verige

Nosite zaščitne rokavice.

1. odstranite akumulatorsko baterijo.
2. Odstranite zaščito za meč.
3. Odstranite matice za namestitev meča s priloženim kombinirnim ključem.
4. Odstranite zaščito za verigo.
5. Zmanjšajte napetost verige žage. Glejte poglavje »Nastavitev napetosti verige«.
6. Odstranite staro verigo z mečem.
7. Namestite novo verigo v pravilni smeri na meč in se prepričajte, da so členki pogona poravnani z rezo meča.
8. Namestite meč na žago za obrezovanje in namestite verigo okoli verižnika.
9. Zamenjajte pokrov pogonskega zobnika in pritrđilno matico palice.
10. S prstom privijte pritrđilno matico palice.
11. Za nastavitev napetosti verige se mora drog prosto premikati.
12. Prilagodite napetost verige. Glejte poglavje »Nastavljanje napetosti verige«.
13. Držite vrh meča pokonci navzgor in močno zategnite matice za namestitev meča.

⚠ OPOZORILO! Topa ali nepravilno nabrušena veriga lahko povzroči preveliko hitrost motorja med rezanjem, kar lahko močno poškoduje motor.

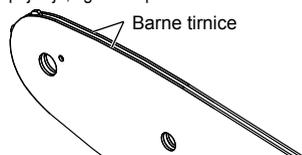
⚠ OPOZORILO! Nepravilno brušenje verige poveča možnost za povratni udarec.

⚠ OPOZORILO! Če ne zamenjate ali popravite poškodovane verige, lahko pride do hudih poškodb.

⚠ OPOZORILO! Veriga je ostra. Pri opravljanju vzdrževalnih del na verigi vedno nosite rokavice.

Vzdrževanje vodilne palice

Ko vodilni drog pokaže znake obrabe, obrnite vodilni drog od spodaj navzgor na žagi, da porazdelite obrabo za maksimalno življenjsko dobo palice. Palico je treba čistiti vsak dan uporabe in jo preveriti glede obrabe in poškodb. Raztegovanje ali zarezovanje tirnic palic je normalen proces obrabe palic. Takšne napake je treba takoj, ko se pojavijo, zgladiti s pilo.



Palico s katero koli od naslednjih napak je treba zamenjati.

- Nosite v notranjosti vodila palice, ki omogočajo, da veriga leži čez stran.
- Upognjena vodilna palica.
- Razpokane ali zlomljene tirnice.
- Razširjene tirnice.

Tedensko namažite vodilne palice z zobnikom na konici Z mazalno brizgo vsak teden namažite mazalno luknjo. Obrnite vodilno palico in preverite, ali so luknje za mazanje in vodila palic brez nečistoč.

Urnik vzdrževanja

Vsakodnevno preverjanje

Podmazanost meča	Pred vsako uporabo
Napetost verige	Pred vsako uporabo in pogosto
Ostrina verige	Pred vsako uporabo, Vizualno preverjanje
Pojav poškodovanih delov	Pred vsako uporabo
Pojav razrahljanosti sredstev za pritrditev	Pred vsako uporabo
Meč	Pred vsako uporabo
Celotna žaga	Po vsaki uporabi

Nadomestni deli (Meč in veriga)

Proizvajalec	MILWAUKEE	OREGON
Veriga	4932 4801 76	90F033XTR
Meč	4932 4801 69	360804

Veriga in meč morata pripadati istemu proizvajalcu v skladu z zgoraj navedenimi kombinacijami.

Eksplozijska skica

Po potrebi se lahko pri vaši servisni službi ali direktno pri Techtronic Industries GmbH naroči eksplozijska risba naprave ob navedbi tipa stroja in številke s tipske ploščice Techtronic Industries GmbH, Max-Eyth-Straße 10, 71364 Winnenden, Germany.

SIMBOLI

	Prosimo, da pred uporabo pozorno preberete to navodilo za uporabo.
	POZOR! OPOZORILO! NEVARNO!
	Pred vsemi deli na stroji odstranite izmenljivi akumulator.
	Stroja ne izpostavljajte dežju.
	Ne uporabljajte samo z eno roko
	Žago za obrezovanje vedno uporabljajte z obema rokama
	Nosite zaščitne čevlje z zaščito proti urezlinam, neдрsečim podplatom in jekleno kapico!
	Nositi zaščitne rokavice
	Nosite zmeraj zaščitna oblačila in močno obutev.
	Nosite zaščitno čelado. Nosite zaščito za sluh! Uporabite zaščitna očala.
	Pazite na povratni udarec žago za obrezovanje in preprečite stik s konico meča
	Druge navzoče osebe morajo biti med uporabo oddaljene najmanj 50' (15 m).
	Rezervoar za verižno olje
	Za nastavljanje napetosti verige zavrtite
	Smer teka verige
	Oprema – ni vsebovana v obsegu dobave, priporočeno dopolnilo iz programa opreme.

	Odpadnih baterij, odpadne električne in elektronske opreme ne odstranjujte kot nesortirani komunalni odpadki. Odpadne baterije ter odpadno električno in elektronsko opremo je treba zbirati ločeno. Odpadne baterije, odpadne akumulatorje in svetlobne vire je treba odstraniti iz opreme. Za nasvet glede recikliranja in zbirnih mest se obrnite na lokalno oblast ali trgovca. V skladu z lokalnimi predpisi so lahko trgovci na drobno obvezani, da morajo brezplačno vzeti nazaj odpadne baterije ter odpadno električno in elektronsko opremo. Vaš prispevek k ponovni uporabi in recikliranju odpadnih baterij ter odpadne električne in elektronske opreme pomaga pri zmanjševanju povpraševanja po surovinah. Odpadne baterije, še posebej tiste, ki vsebujejo litij, ter odpadna električna in elektronska oprema vsebujejo dragocene materiale, primerne za recikliranje, ki imajo lahko, če niso odstranjeni na okolju prijazen način, škodljive posledice za okolje in zdravje ljudi. Z odpadne opreme izbrišite osebne podatke, če obstajajo.
	Garantirana višina zvočnega tlaka 79 dB(A)
v_0	hitrost verige brez obremenitve
V	Napetost
	Enosmerni tok
	Evropska oznaka za združljivost
	Britanska oznaka za združljivost
	Ukrajinska oznaka za združljivost
	Evrazijska oznaka za združljivost

TEHNIČKI PODACI	M18 FHS20
Vrsta izvedbe	pila za obrezivanje
Broj proizvodnje	4916 50 01 XXXXXX MJJJJ
Napon baterije za zamjenu	18 V =
Brzina lanca bez opterećenja	4,8 m/s
Duljina vodilice max.	8" / 200 mm
Iskoristiva rezna dužina	7,4" / 189 mm
Kapacitet spremnika za ulje za lanac	77 ml
Težina po EPTA-proceduri 01/2014 01/2014 (Li-Ion 2.0 Ah ... 12.0 Ah)	2,8 kg ... 3,9 kg
Preporučena temperatura okoline za pogon	-18 ... +50 °
Preporučeni akumulatorski paket	M18B...; M18HB...
Preporučeni punjači	M12-18...; M1418C6
Informacije o buci: Mjerne vrijednosti utvrđene odgovarajuće EN 62841. A-ocijenjeni nivo buke aparata iznosi tipično:	
Nivo pritiska zvuka / Nesigurnost K=	81 dB (A) / 3 dB (A)
Nivo učinka zvuka / Nesigurnost K=	89 dB (A) / 3 dB (A)
Nositi zaštitu sluha!	
Informacije o vibracijama: Ukupne vrijednosti vibracije (Vektor suma tri smjersu odmjerene odgovarajuće EN 62841	
Vrijednost emisije vibracije a _v / Nesigurnost K=	4,9 m/s ² / 1,5 m/s ²

⚠ UPOZORENIE!

Razine emisije vibracija i buke navedena u ovom informacijskom listu izmjerene su u skladu sa standardiziranim ispitom koji propisuje EN 62841 i mogu se upotrebljavati za međusobnu usporedbu alata. Također se mogu upotrebljavati za prethodnu procjenu izloženosti.

Navedene razine emisija vibracija i buke predstavljaju glavnu svrhu primjene alata. Međutim, ako se alat upotrebljava u druge svrhe, s drugim priborom ili se ne održava dovoljno, emisije vibracija i buke mogu biti drukčije. To može značajno povećati razinu izloženosti tijekom cjelokupna razdoblja rada.

Procjena razine izloženosti vibracijama i buci također bi u obzir trebala uzeti razdoblja tijekom kojih je alat isključen ili kada je uključen, no njime se ne obavlja nikakav rad. Time se značajno može smanjiti razina izloženosti tijekom cjelokupna razdoblja rada.

Utvrdite dodatne sigurnosne mjere kako biste zaštitili rukovatelja od ovih učinaka vibracija i/ili buke, primjerice: održavanje alata i pribora, osiguravanje da ruke budu tople, organizacija obrazaca rada.

Nosite zaštitu za sluh. Djelovanje buke može dovesti do gubitka sluha.

⚠ UPOZORENIE! Pročitajte sve sigurnosne upute, napomene, prikaze i podatke koje dobijete uz uređaj. Ako se ne bi pridržavali slijedećih uputa, moglo bi doći do električnog udara, požara i/ili teških ozljeda. **Sačuvajte sve napomene o sigurnosti i upute za buduću primjenu.**

OPĆIH SIGURNOSNA UPOZORENJA ZA RAD S PILOM ZA OBREZIVANJE

a) Dok je uključena, sve dijelove tijela držite dalje od pile za obrezivanje. Prije uključivanja pile, uvjerite se da lanac ne dodiruje ništa. Trenutak neopreznosti pri korištenju pile za obrezivanje može uzrokovati zaplitanje vaše odjeće ili dijela tijela s lancem pile.

b) Pilu uvijek držite desnom rukom za stražnju, a lijevom rukom za prednju ručku. Držanje pile s obrnutim rasporedom ruku povećava rizik od tjelesnih ozljeda i ne bi se smjelo prakticirati.

c) Pilu držite samo za izolirane površine za hvatanje, jer bi lanac pile mogao dotaknuti skrivene žice. U dodiru lanca sa žicama po naponom, izloženi metalni dijelovi pile mogu također doći pod napon, a rukovatelj bi mogao doživjeti strujni udar.

d) Nosite zaštitu za oči. Osim toga, preporučuje se i nošenje zaštitne opreme za sluh, glavu, ruke, noge i stopala. Primjerena zaštitna oprema smanjit će opasnost od tjelesnih ozljeda letećim česticama ili slučajnim kontaktom s lancem pile.

e) Pilu nemojte koristiti ako se nalazite na drvetu, ljestvama, krovu ili bilo kojoj drugoj nestabilnoj površini. Rukovanje pilom na taj način može izazvati teške tjelesne ozljede.

f) Uvijek zadržite čvrsto uporište i rukuje pilom samo ako stojite na fiksnoj, sigurnoj i ravnoj površini. Na skliskoj ili nestabilnoj površini možete izgubiti ravnotežu i kontrolu nad pilom za obrezivanje.

g) Ako režete granu koja je pod opterećenjem, očekujte da može odskočiti. Kad se oslobodi napetost u vlaknima drveta, oslobođena opterećena grana može udariti rukovatelja i / ili izbaciti pilu iz kontrole.

h) Budite izrazito oprezni pri rezanju žbunja ili mladica. Tanko granje može zahvatiti lanac pile, koji ga može zamahnuti prema vama ili vas izbaciti iz ravnoteže.

i) Pilu za obrezivanje nosite za prednju ručku, isključenu i udaljenu od tijela. Prilikom prijenosa ili pospremanja pile, uvijek navucite navlaku za vodilicu. Ispravno rukovanje pilom smanjit će vjerojatnost slučajnog kontakta s lancem pile u pokretu.

j) Slijedite upute za podmazivanje, održavanje ispravne napetosti lanca te redovitu zamjenu vodilice i lanca. Ako lanac nije ispravno napet ili podmazan, može puknuti ili povećati vjerojatnost povratnog trzaja.

k) Održavajte ručke suhima, čistima te bez zaprljanja uljima i mastima. Masne ručke su skliske i mogu uzrokovati gubitak kontrole.

l) Režite samo drvo. Nemojte koristiti pilu za svrhe za koje nije namijenjena. Na primjer: nemojte koristiti pilu za rezanje metala, plastike, zidova ili drugih građevnih materijala osim drveta. Korištenje pile za obrezivanje u svrhe za koje nije namijenjena može rezultirati vrlo opasnim situacijama.

Za vrijeme oslobađanja zapetljanog materijala, pospremanja ili održavanja pile slijedite sve upute. Uvjerite se da je prekiđač isključen i da je baterijski sklop uklonjen. Neočekivano uključivanje pile za obrezivanje za vrijeme oslobađanja zapetljanog materijala ili održavanja može rezultirati ozbiljnim tjelesnim ozljedama.

Uzroci i načini sprečavanja povratnog trzaja pile:

Do povratnog trzaja može doći kada nos ili vrh vodilice dotakne neki predmet ili kada drvo obavije i pritegne pilu u rezu.

Kontakt s vrhom vodilice može uzrokovati iznenadnu obrnutu reakciju i pokrenuti vodilicu prema gore i unatrag prema rukovatelju. Obavljanje lanca oko gornjeg dijela vodilice može brzo gurnuti pilu unatrag prema rukovatelju.

Usljed obje ove reakcije mogli biste izgubiti kontrolu nad pilom, što bi moglo dovesti do ozbiljnih tjelesnih ozljeda. Nemojte se pouzdati samo u sigurnosne naprave ugrađene u pilu.

Osoba koja rukuje pilom trebala bi poduzeti nekoliko koraka kako bi se izbjegle nesreće ili ozljede pri korištenju pile.

Povratni je udarac posljedica nepravilne upotrebe pile za obrezivanje i/ili nepravilnih radnih postupaka ili uvjeta koji se mogu izbjeći poduzimanjem odgovarajućih mjera predostrožnosti opisanih u nastavku:

a) Pilu držite čvrsto, palcima i prstima obuhvatite ručke pile, s obje ruke na pili te zadržite položaj tijela i ruke koji će moći izdržati silu povratnog trzaja pile. Rukovatelj može kontrolirati silu povratnog trzaja pile ako se pridržava potrebnih sigurnosnih mjera. Nemojte ispuštati pilu.

b) Nemojte se previše naginjati ili propinjati niti rezati predmete iznad visine vaših ramena. Ove mjere sprečavaju neželjeni kontakt s vrhom vodilice i omogućavaju bolju kontrolu nad pilom u neočekivanim situacijama.

c) Upotrebljavajte samo zamjenske vodilice i lance koje je naveo proizvođač. Neispravne vodilice i lanci mogu uzrokovati pucanje lanca i/ili povratni trzaj pile.

d) Slijedite upute proizvođača za oštrenje i održavanje lanca pile. Smanjivanje podešene granice dubine može povećati opasnost od povratnog trzaja.

OSTALE SIGURNOSNE I RADNE UPUTE

Pri prvom korištenju uređaja, preporučuje se da debla režete na stalcima za piljenje.

Pričvršćivanje

Pričvršćivanje isključivo uporabom uzica kojima se apsorbira energija. Pričvrstite pojas isključivo na omču uzice.

Nemojte pričvršćivati element za privezivanje na držak uređaja, pokrov vodilice ni na bilo koji drugi dio alata.

Provjerite jesu li svi štitnici, ručke i odbojni zupci ispravno montirani i u ispravnom stanju.

Zdravstveno stanje osoba koje se koriste pilom za obrezivanje mora biti dobro. Pila za obrezivanje teška je, stoga rukovatelj mora imati dovoljnu tjelesnu spremu.

Rukovatelj mora biti brz, okretan, imati dobar vid, ravnotežu i spretne ruke.

Ne uključujte pilu dok nemate čistu radnu površnu, čvrsto uporište i plan za uzmak pred drvetom koje se ruši. Obratite pozornost na ispuštanje para sredstva za podmazivanje i piljevine. Ako je potrebno, nosite masku ili respirator.

Nemojte rezati lozu i/ili nisko raslinje.

Pilu uvijek držite s obje ruke. Držite je čvrsto, palcima i prstima obuhvatite ručke pile. Desna ruka mora biti na stražnjoj, a lijeva na prednjoj ručki.

Prije uključivanja pile, uvjerite se da lanac ne dodiruje ništa.

Ne prepravljajte ovu pilu ni na koji način i ne koristite je za napajanje bilo kakvih uređaja ili dodataka koje nije odobrio proizvođač.

Rukovatelj bi uz sebe trebao imati komplet prve pomoći s velikim zavojima i sredstvima za privlačenje pozornosti (npr. zviždaljka). U razumnoj blizini trebao bi se nalaziti i veći, sveobuhvatniji komplet.

Neispravno napeti lanac može iskočiti iz vodilice i uzrokovati teške ozljede ili smrt. Duljina lanca ovisi o temperaturi. Redovito provjeravajte napetost lanca pile.

Trebali biste se upoznati s načinom rada svoje nove pile za obrezivanje tako da napravite nekoliko jednostavnih rezova na dobro poduprtom drvu. Učinite to uvijek nakon što se pilom za obrezivanje niste koristili dulje vrijeme. Radi smanjenja opasnosti od ozljede povezanih s dodrom s pomičnim dijelovima, uvijek zaustavite motor, izvadite paket baterija i osigurajte da svi pomični dijelovi budu zaustavljeni prije nego što:

- čišćenja ili oslobađanja blokada
- ostavljanja pile bez nadzora
- postavljanja ili uklanjanja dodataka
- izvođenja provjera, održavanja ili rada na stroju

Veličina radne površine ovisi o poslu koji se obavlja kao i o veličini drveta ili predmeta koji se obrađuje. Npr., rušenje stabla zahtijeva više prostora nego izvođenje drugih tipova rezova kao što su rezovi za odvajanje itd. Rukovatelj mora biti svjestan i nadzirati sve što se događa u radnom prostoru.

Dok režete, tijelo vam ne smije biti u ravni s vodilicom i lancem. Ako dođe do povratnog trzaja pile, to će sprječiti da vam lanac dođe u kontakt s glavom ili tijelom.

Nemojte izvoditi pokrete rezanja naprijed-nazad, taj dio posla preuzima lanac. Održavajte lanac oštrim i ne pokušavajte ga gurati kroz rez.

Ne postavljajte opterećenja na pilu na kraju reza. Budite spremni preuzeti težinu pile nakon to se oslobodi drveta. U suprotnom, moguće su ozbiljne tjelesne ozljede.

Ne zaustavljajte pilu usred akcije rezanja.

Ostavite je da radi dok se ne oslobodi reza. Prekiđač za uključivanje i isključivanje ne priključite u radnom pogonu.

Prije svih radova na stroju izvadite bateriju za zamjenu.

⚠ UPOZORENIE! Zbog izbjegavanja opasnosti od požara jednim kratkim spojem, opasnosti od ozljeda ili oštećenja proizvoda, alat, izmjenjivi akumulator ili napravu za punjenje ne uronjavati u tekućine i pobrinite se za to, da u uređaje ili akumulator ne prodiru nikakve tekućine. Korozirajuće ili vodljive tekućine kao slana voda, određene kemikalije i sredstva za bijeljenje ili proozvodni koji sadrže sredstva bijeljenja, mogu prouzročiti kratak spoj.

Baterije sistema M18 puniti samo sa uređajem za punjenje sistema M18. Ne puniti baterije iz drugih sistema.

Baterije za zamjenu i uređaje za punjenje ne otvarati i čuvati ih samo u suhim prostorijama. Čuvati protiv vlage.

Guranje i povlačenje

Smjer sile reakcije uvijek je suprotan od onog u kojem se giba lanac. Stoga, rukovatelj mora biti spreman kontrolirati vjerojatnost da se stroj istragne (prema naprijed) dok reže donjom ivicom vodilice te da se povuče unatrag (prema rukovatelju) dok se reže duž gornje ivice.

Pila zaglavljena u rezu

Zaustavite pilu i osigurajte je. Nemojte na silu povlačiti lanac i vodilicu iz reza jer bi to moglo potrgati lanac, koji bi mogao zamahnuti unatrag i udariti rukovatelja. Do takve situacije obično dolazi jer drvo nije ispravno podupru, pa se rez uslijed kompresije zatvara i pritom priklješćuje oštricu. Ako se vodilica i lanac ne oslobode nakon ispravljanja potporna, drvenim klinom ili polugom otvorite rez i oslobodite pilu. Nemojte nikada pokušavati uključiti pilu ako je vodilica već u rezu ili zasjeku.

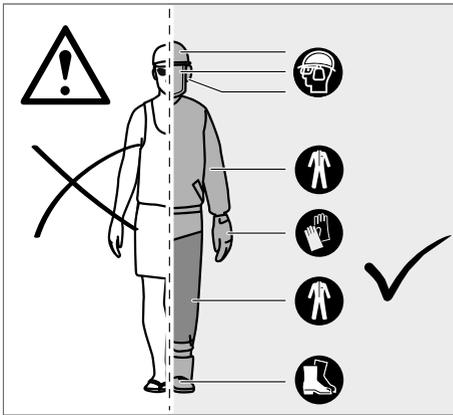
Klizanje i odskakivanje

Ako se pila za vrijeme rezanja ne ukopa, vodilica može početi poskakivati ili opasno kliziti duž površine debla ili grane, uslijed čega može doći do gubitka kontrole nad pilom. Kako bi se klizanje ili odskakivanje spriječilo ili smanjilo, pilu uvijek držite s obje ruke i provjerite stvar li lanac brazdan za rezanje. Pilom nikada nemojte rezati male, savitljive grane ili grmlje. Usljed njihove veličine i savitljivosti pila lako može odskočiti prema vama ili povezati granje u snop dovoljnog silom da dođe do povratnog trzaja pile. Najbolji alat za tu vrstu posla je ručna pila, škare za obrezivanje, sjekira i ostali ručni alati.

Osobna zaštitna oprema

Za vrijeme rukovanja strojem, uvijek nosite zaštitnu kacigu. Kaciga s mrežastim vizikom može smanjiti opasnost od ozljeda lica i glave, ako dođe do povratnog trzaja pile. Nositi zaštitu sluha!

Kvalitetna osobna zaštitna oprema, kakvu koriste profesionalci, smanjuje opasnost od ozljeda rukovatelja. Pri rukovanju strojem, trebalo bi koristiti sljedeću opremu:



Sigurnosna kaciga

trebala bi biti u skladu s normom EN 397 i imati CE oznaku

Štitnici za sluh

trebali bi biti u skladu s normom EN 352-1 i imati CE oznaku

Štitnici za oči i lice

trebali bi imati CE oznaku i biti u skladu s normom EN 166 (za zaštitne naočale) ili EN 1731 (za mrežaste vizire)

Rukavice

trebale bi biti u skladu s normom EN381-7 i imati CE oznaku

Štitnici za noge (porezotine)

trebali bi biti u skladu s normom EN 381-5 i imati CE oznaku

Zaštitne cipele z rad s pilom za obrezivanje

trebale bi biti u skladu s normom EN ISO 20345:2004 i imati oznaku sa slikom pile za obrezivanje, kao dokaz sukladnosti s normom EN 381-3. (Povremeni korisnici mogu nositi zaštitne cipele s čeličnim štitnicima za prste sa zaštitnim nogavicama u skladu s normom EN 381-9 ako je tlo ravno i ne postoji velika opasnost od spoticanja ili zapetljavanja među raslinje)

Jakne za rad s pilom za obrezivanje za zaštitu gornjeg dijela tijela

trebale bi biti u skladu s normom EN 381-11 i imati CE oznaku

UPOZNAJTE SVOJU PILU ZA OBREZIVANJE

- | | |
|--|---|
| 1 Prednji držak | 11 Odbojni zupci |
| 2 Prednji branik za ruku | 12 Lanac pile |
| 3 Uređaj za blokiranje | 13 Vodilica |
| 4 Prekidač | 14 Žlijeb vodilice |
| 5 Stražnja ručka | 15 Prijenos lanca |
| 6 Poklopac za sredstvo za podmazivanje lanca | 16 Pokrov pogonskog lančanika |
| 7 Spremnik za ulje lanca | 17 Vijak za podešavanje napetosti lanca |
| 8 Stražnji štitnik za ruku | 18 montažna matica za vodilicu |
| 9 Kombinirani ključ | 19 Navlaka za vodilicu |
| 10 Akumulator | |

UPOZORENIE!

Posljedice nepravilna održavanja, uklanjanja ili izmjene sigurnosnih značajki, prekidača paljenja, štitnika za ruke (prednjeg i stražnjeg), ozubljenog branika, prihvativnika lanca, vodilice ili motorne lančane pile s niskim povratnim udarcem mogu dovesti do nepravilna rada sigurnosnih značajki, čime se povećava mogućnost nastanka teških ozljeda.

Odbojni zupci

Integrirani odbojni zupci mogu služiti kao zakretna točka pri izvođenju reza. Tijekom rezanja preporučuje se čvrsto držati kućište pile. Tijekom rezanja pritisćite stroj prema naprijed sve dok metalni zupci ne dođu do ruba drvca, a ako zatim stražnju ruku usmjerite prema gore ili dolje u smjeru reza, može se smanjiti fizičko opterećenje postupka piljenja.

Vodilica

Načelno, kod vodilica s vrhovima manjeg promjera mogućnost povratnog trzaja nešto je manja. Trebali biste koristiti vodilicu i pripadajući lanac, ne dulji nego što je potrebno za tu akciju rezanja. Dulje vodilice povećavaju opasnost od gubitka kontrole za vrijeme piljenja. Redovito provjeravajte napetost lanca. Kad režete manje grane (kraće od pune duljine vodilice) veća je vjerojatnost da će lanac biti zbačen ako mu napetost nije ispravna.

UPUTE U VEZI ISPRAVNIH TEHNIKA RUŠENJA, OBREZIVANJA I POPREČNOG REZANJA STABALA

Razumijevanje sila unutar drveta

Ako su vam poznati smjerovi pritiska i opterećenja unutar drveta, moći ćete smanjiti zapinjanja ili ih barem očekivati za vrijeme rezanja. Napetost u drvu znači da se razdvajaju vlakna te da ako nastavite rezati na tom području, zasjek ili rez će se otvarati dok pila prolazi kroz njega. Ako je deblo oslonjeno na postolje za piljenje, a kraj visi preko kraja, bez potporna, na gornjoj strani se stvara napetost zbog težine debla koje visi i rasteže vlakna. Isto tako, donja strana debla bit će pod pritiskom, a vlakna će se zbijati. Ako se napravi rez na tom području, bit će vjerojatno da će se zasjek zatvoriti za vrijeme reza. To bi priključilo oštricu.

Obrezivanje stabla

Obrezivanje je postupak uklanjanja grana sa srušenog stabla. Tijekom obrezivanja ostavite donje, veće grane kao podupirače koji će držati stablo iznad tla. Uklonite manje grane jednim rezom. Grane koje su nategnute treba rezati odzdo prema gore radi izbjegavanja ugavlivanja pile za obrezivanje.

Piljenje savijenog šiblja

Savijeno šiblje jest deblo, grana, panj bez korijena ili grm koji je savijen nekim drugim drvetom i napet, tako da se naglo otpušta kada se drvo koje ga drži odreže ili ukloni.

Kod srušenog je stabla vjerojatnost vrlo velika da će se ukorijenjeni panj ponovno sam vratiti u uspravan položaj nakon što se deblo tijekom rezanja odvoji od panja. Pazite na savijeno šiblje jer je ono vrlo opasno.

UPOZORENIE! Savijeno šiblje je opasno i može udariti rukovatelja, tako da izgubi kontrolu nad pilom, to može uzrokovati razne teške, pa čak i kobne ozljede. To smiju izvoditi samo educirane osobe.

PROPIISNA UPOTREBA

Bežična pila za obrezivanje namijenjena je samo za korištenje na otvorenom.

Iz sigurnosnih razloga, pila se mora redovito provjeravati i uvijek koristiti s obje ruke.

Pila je namijenjena za rezanje grana, trupaca, debala i greda promjera određenog reznom duljinom vodilice. Namijenjena je samo za rezanje drveta. Smiju je koristiti samo odrasle osobe koje su prošle potrebnu edukaciju o opasnostima i zaštitim mjerama/postupcima koje treba poduzeti za vrijeme korištenja pile.

Pilu za obrezivanje nemojte koristiti u druge svrhe osim gore navedenih. Ona se ne smije koristiti za profesionalno održavanje drveća. Pilom za obrezivanje ne smiju se koristiti djeca ni osobe koje nemaju potrebnu osobnu zaštitnu opremu i odjeću.

UPOZORENIE! Tijekom korištenja ove pile za obrezivanje moraju se slijediti sigurnosne odredbe. Za vlastitu sigurnost kao i sigurnost ostalih osoba u blizini pročitajte ove upute prije početka korištenja pile za obrezivanje. Trebali biste pohađati profesionalni organizirani sigurnosni tečaj za korištenje, mjere zaštite, prvu pomoć i održavanje pile za obrezivanje. Molimo da sačuvate upute kako biste se njima mogli kasnije ponovno koristiti.

UPOZORENIE! Pila za obrezivanje je potencijalno opasan alat. Posljedice nesreća pri korištenju pile za obrezivanje često uključuju gubitak udova ili smrt. Opasnost ne predstavlja samo pila za obrezivanje. Grane i stabla koja padaju, debla koja se kotrljaju, također mogu usmrtniti prisutne. Bolesna ili trula debla predstavljaju dodatnu opasnost. Trebali biste provjeriti svoju sposobnost sigurnog izvršavanja zadatka. Ukoliko postoji ikakva sumnja, prepustite ga profesionalnom drosjeći.

Montaža i priključak na napajanje

PREOSTALE OPASNOSTI

Isto i kod propisne uporabe proizvoda se preostale opasnosti ne mogu potpuno isključiti. Kod uporabe mogu nastupiti sljedeći rizici, tako da poslužioc treba sljedeće uzeti u obzir:

- Ozlijede izazvane vibracijama
Uvijek koristite prikladan alat za rad. Koristite namijenjene ručke. Ograničite vrijeme rada i izlaganja.
- Oštećenja sluha zbog izloženosti buci
Nosite štitnike za sluh i ograničite vrijeme izlaganja.
- Ozlijede izazvane kontaktom s izloženim zupcima lanca pile
- Ozljede izazvane letecim komadićima obratka (krohine i komadići drveta)
- Ozlijede izazvane prašinom i sitnim česticama
- Ozljede koje izazvane kontaktom sa sredstvima za podmazivanje
- Dijelovi koje izbacuje pila (opasnost od posjekotina/ubrizgavanja)
- Nepredviđeni, nagli pokret ili povratni trzaj vodilice (opasnosti od posjekotina)

SMANJIVANJE OPASNOSTI

- Postoje indicije da vibracije koje nastaju pri korištenju ručnih uređaja mogu doprinijeti razvoju stanja pod nazivom Raynaudov sindrom. Simptomi mogu uključivati trnce, manjak osjetljivosti i blijedećenje prstiju, što je inače tipično nakon izlaganja hladnoći. Međutim, i nasljedni faktori, izlaganje hladnoći i vlazi, dijeta, pušenje i postupci pri radu doprinose razvoju ovih simptoma. Postoje zaštitne mjere koje rukovatelj može poduzeti kako bi što je više moguće smanjio učinke vibracije:
- Za hladnog vremena, održavajte tijelo toplim. Prilikom rukovanja strojem nosite rukavice kako bi vam ruke i zglobovi bili topli.
- Nakon svakog perioda rada napravite vježbe ako biste povećali cirkulaciju.
- Uzimajte česte stanke. Ograničite dnevnu količinu izloženosti.
- Zaštitne rukavice dostupne od profesionalnih prodavatelja pila za obrezivanje napravljene su posebno za korištenje pile za obrezivanje i pružaju zaštitu, daju dobru sposobnost hvatanja i smanjuju učinak vibracije ručki. Takve rukavice moraju biti u skladu s normom EN 381-7 i imati CE oznaku.

Ako osjetite bilo koji d simptoma ove bolesti, odmah prekinite rad s pilom i posjetite liječnika.

UPOZORENIE! Ozljede mogu biti uzrokovane ili s pogoršati uslijed produžene uporabe alata. Ako bilo koji alat koristite duže vrijeme, radite redovite stanke.

UPUTE ZA LI-ION-AKUMULATORE

Korištenje Li-ion-akumulatora

Baterije koje duže vremena nisu korištene, prije upotrebe napuniti.

Temperatura od preko 50°C smanjuje učinak baterija. Duže zagrijavanje od strane sunca ili grijanja izbjeci.

Priključne kontakte na uređaju za punjenje i baterijama držati čistima.

Za optimalni vijek trajanja se akumulatori poslije upotrebe moraju sasvim napuniti.

Za što moguće duži vijek trajanja, akumulatori se nakon punjenja moraju odstraniti iz punjača.

Kod skladištenja akumulatora duže od 30 dana:

Pohranite paket baterija na mjestu s temperaturom nižom od 27 °C i na kojem nema vlage

Akumulator skladištiti kod ca. 30%-50% stanja punjenja.

Akumulator ponovno napuniti svakih 6 mjeseci.

Zaštita od preopterećenja akumulatora kroz Li-ion-akumulatore

Kod preopterećenja akumulatora vrlo visoku potrošnju struje, npr. ekstremno visoki zakretni momenti, električni alat vibrira za vrijeme od 5 sekundi, pokazivač punjenja treperi i električni alat se samostalno isključuje.

Za ponovno uključivanje isпустiti okidač sklopke i zatim ponovno uključiti. Pod ekstremnim opterećenjima se akumulator prejako zagrije. U tome slučaju trepere sve lampice pokazivača punjenja, sve dok se akumulator ne ohladi. Poslije gašenja pokazivača punjenja se može nastaviti sa radom.

Transport litijskih ionskih baterija

Litijske-ionske baterije spadaju pod zakonske odredbe u svezi transporta opasne robe.

Prijevoz ovih baterija mora uslijediti uz poštovanje lokalnih, nacionalnih i internacionalnih propisa i odredaba.

Korisnici mogu bez ustručavanja ove baterije transportirati po cestama.

Komercijalni transport litijsko-ionskih baterija od strane transportnih poduzeća spada pod odredbe o transportu opasne robe. Otpremničke pripreme i transport smiju izvoditi isključivo odgovarajuće školovane osobe. Kompletni proces se mora pratiti na stručan način.

Kod transporta baterija se moraju poštivati sljedeće točke:

Uvjerite se da su kontakti zaštićeni i izolirani kako bi se izbjegli kratki spojevi.

Pazite na to, da blok baterija unutar pakiranja ne može proklizavati. Oštećene ili iscurjele baterije se ne smiju transportirati. U svezi ostalih uputa obratite se vašem prijevoznom poduzeću.

RADNE UPUTE

SASTAVLJANJE

Sastavljanje lanca pile i vodilice

UPOZORENIE! Ako je bilo koji dio oštećen ili nedostaje, nemojte koristiti uređaj dok ga ne zamijenite. Zanemarivanje ovog upozorenja može rezultirati teškim tjelesnim ozljedama. Ne zaboravite izvaditi bateriju. Nositi zaštitne rukavice!

1. Uklonite matice za vodilicu priloženim kombiniranim ključem.
2. Uklonite navlaku za lanac.
3. Lanac u ispravnom smjeru postavite na vodilicu i provjerite jesu li vodeće karike poravnate sa žlijebom vodilice.
4. Montirajte vodilicu na pilu i ovijte lanac oko pogonskog zupčanika.
5. Zamijenite navlaku za lanac i matice za vodilicu.
6. Rukom stegnite matice za vodilicu. Vodilica mora biti slobodna za pomicanje u svrhu podešavanja napetosti lanca.
7. Podestite napetost lanca. Pogledajte odjeljak „Podešavanje napetosti lanca“.
8. Držite vrh vodilice prema gore i čvrsto stegnite matice za vodilicu.

UPOZORENIE! Lanac pile je oštar. Za vrijeme radova na održavanju pile uvijek nosite zaštitne rukavice.

Podešavanje napetosti lanca

Prije bilo kakvog rada na pili uvijek izvadite baterijski sklop.

Kako biste povećali napetost lanca, okrenite vijak za podešavanje napetosti u smjeru kazaljke na satu i redovito provjeravajte napetost lanca. Za smanjenje napetosti lanca, okrenite vijak za podešavanje napetosti u smjeru obratnom o smjera kazaljke na satu i redovito provjeravajte napetost lanca.

Napetost lanca je ispravna kada razmak između reznog lanca i vodilice iznosi oko 6,8 mm. Povucite lanac u sredini donje strane vodilice prema dolje (od vodilice) i izmjerite udaljenost između vodilice i reznog lanca. Pritegnite matice vodilice okrećući je u smjeru kazaljke na satu.

Napomena: Nemojte previše napeti lanac - pretjerana napetost uzrokuje pretjerano trošenje, smanjuje vijek trajanja lanca i može oštetiti vodilicu. Novi lanci se tijekom prvog korištenja mogu rastegnuti i olabaviti. Tijekom prva dva sata korištenja redovito uklanjajte baterijski sklop i provjeravajte napetost lanca. Za vrijeme normalnog rada, temperatura lanca se povećava, uslijed čega s lanac rasteže. Redovito provjeravajte napetost lanca i po potrebi je podesite. Ako se lanac napinje dok je topao, mogao bi biti prenapet kad se ohladi. Provjerite je li napetost lanca ispravno podešena kako je navedeno u ovim uputama.

Dodavanje ulja za podmazivanje lanca

UPOZORENIE! Nemojte nikada raditi bez sredstva za podmazivanje. Ako se pila koristi bez sredstva za podmazivanje, može se oštetiti vodilica i lanac. Stoga se razina ulja u otvoru za prikaz razine ulja mora obavezno provjeravati redovito, kao i prije početka korištenja pile. Neka uvijek bude puno više od ¼ spremnika kako biste bili sigurni da ima dovoljno ulja za rad pile.

Napomena: Za obrezivanje stabla preporučuje se korištenje biljnih ulja za lance. Mineralno ulje može oštetiti drveće. Nemojte nikada koristiti otpadno, motorno ili vrlo gusto ulje. Te bi vrste ulja mogle oštetiti pilu. Očistite površinu oko poklopca za ulje kako bi se spriječilo prljanje.

1. Odvijte i uklonite poklopac sa spremnika za ulje.
2. Ulijte ulje u spremnik za ulje i provjeravajte razinu ulja kroz otvor.
3. Vratite poklopac i stegnite ga. Pobrinite ulje koje se proliho.

Držanje pile za obrezivanje

Pilu uvijek držite desnom rukom za stražnju, a lijevom rukom za prednju ručku. Palcima i prstima obuhvatite obje ručke pile.

Pokretanje pile za obrezivanje

Prije pokretanja pile za obrezivanje potrebno je instalirati paket baterija u pilu za obrezivanje.

Zaštita od ponovnog uključivanja

Ovaj električni alat ima zaštitu od ponovnog uključivanja.

To sprječava samostalno pokretanje električnog alata dok je zamjenska baterija umetnuta kao i ponovno pokretanje nakon funkcije isključivanja zamjenske baterije.

Ako vodilica nije u drvu, isključite stroj i ponovno ga uključite kako biste nastavili s radom.

Ako je vodilica u drvu, pričekaite dok se lanac pile potpuno ne zaustavi. Osigurajte da se prekidač nalazi u položaju za isključivanje. Uklonite paket baterija iz stroja i vodilicu iz reza. Umetnite paket baterija i zatim ponovno uključite stroj kako biste nastavili s radom.

PRIJENOS I SKLADIŠTENJE

Lanac prilikom pospremanja uvijek lagano nauljite kako bi se spriječilo hrđanje. Kad pospremate pilu, uvijek ispraznite spremnik za ulje kako bi se spriječilo curenje.

Zaustavite stroj, uklonite bateriju i ostavite ga da se ohladi prije transporta ili pospremanja.

Očistite sva strana tijela sa stroja. Stroj držite na hladnom, suhom i dobro prozračenom mjestu, nedostupnom za djecu. Držite izvan doticaja korozivnih sredstava kao što su kemikalije za vrt i sol protiv zamrzavanja. Nemojte skladištiti na otvorenom.

Prije pospremanja ili transporta pile navucite navlaku z vodilicu. Prilikom prijevoza u vozilima osigurajte pilu od pada kako bi se izbjegle ozljede ljudi ili oštećenja stroja.

ČIŠĆENJE

Očistite prašinu i nakupine iz otvora. Držite držak uređaja čistim, suhim i izvan doticaja s uljem ili mašću. Upotrebljavajte blagi sapun i vlažnu krpu za čišćenje jer su određena sredstva za čišćenje i otapala štetna za plastiku i druge izolirane dijelove. Neki od njih su benzin, terpentin, razrjeđivač za lakove, razrjeđivač za boju, otapala

za čišćenje koja sadrže klor, amonijak i deterdženti za kućanstvo koji sadrže amonijak. Nikada u blizini alata nemojte upotrebljavati zapaljiva otapala ili otapala koja se mogu samostalno zapaliti.

ODRŽAVANJE

UPOZORENIE! Primijeniti samo Milwaukee opremu i Milwaukee rezervne dijelove. Nepoštivanje ovih mjera može uzrokovati ozljede, doprinijeti lošem radu pile i poništiti vašu garanciju.

Primijeniti samo Milwaukee opremu i Milwaukee rezervne dijelove. Sastavne dijelove, čija zamjena nije opisana, dati zamijeniti kod jedne od Milwaukee servisnih službi (poštivati brošuru Garancija/ Adrese servisa).

UPOZORENIE! Servisiranje pile zahtijeva iznimnu pažnju i znanje i trebaju ga provoditi samo kvalificirani serviseri. Savjetujemo vam da pilu odnesete na popravak u najbliži ovlaštenu servis MILWAUKEE opreme. Prilikom servisiranja, koristite samo identične rezervne dijelove.

UPOZORENIE! Prije podešavanja, održavanja ili čišćenja uklonite baterijski sklop. U suprotnom, moguće su ozbiljne tjelesne ozljede. Smijete izvoditi samo ona podešavanja i popravke koji su opisani u ovom priručniku. Za ostale popravke kontaktirajte ovlaštenog serviseru.

Neispravno održavanje može izazvati da kočnica lanca i drugi sigurnosni elementi ne funkcioniraju ispravno, a povećati opasnost od teških ozljeda.

Pilu održavajte profesionalno i sigurno. • Sigurno oštrenje pile je zadatak koji zahtijeva vještinu. Stoga proizvođač izrazito preporučuje da istrošene i tupe lance zamijenite novim, dostupnim u vašem MILWAUKEE servisu. Šifre dijelova navedene su u tablici specifikacije proizvoda u ovom priručniku.

Slijedite upute za podmazivanje, provjeravanje napetosti te podešavanje lanca.

Nakon svake upotrebe, očistite stroj mekom suhom krpom. Odstranite sve krhotine, prljavštinu i prašinu iz držača za baterije. Redovito provjeravajte sigurnost svih matrica, klinova i vijaka, kako iste se uvjerili da je stroj u ispravnom radnom stanju. Svaki oštećeni dio treba primjerenom popraviti ili zamijeniti u ovlaštenom MILWAUKEE servisu.

Zamjena vodilice i lanca pile

Nosite zaštitne rukavice.

1. Uklonite zamjensku bateriju
2. Uklonite pokrov vodilice
3. Uklonite matice za vodilicu priloženim kombiniranim ključem.
4. Uklonite navlaku za lanac.
5. Smanjite zategnutost lanca pile. Pogledajte odjeljak „Namještanje zategnutosti lanca“.
6. Uklonite stari lanac s vodilicom
7. Novi lanac u ispravnom smjeru postavite na vodilicu i provjerite jesu li vodeće karike poravnate sa žlijebom vodilice.
8. Montirajte vodilicu na pilu i ovijte lanac oko pogonskog zupčanika.
9. Zamijenite poklopac pogonskog lančanika i maticu za postavljanje šipke.
10. Zategnite prstom maticu za postavljanje šipke.
11. Šipka se mora slobodno pomicati radi namještanja zategnutosti lanca.
12. Podesite napetost lanca. Pogledajte odjeljak „Podešavanje napetosti lanca“.
13. Držite vrh vodilice prema gore i čvrsto stegnite matice za vodilicu.

UPOZORENIE! Tupi ili neispravno naoštreni lana može izazvati pretjeranu brzinu motora za vrijeme rezanja, što može znatno oštetiti motor.

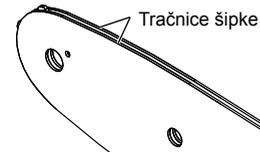
UPOZORENIE! Neispravno oštrenje lanca povećava mogućnost povratnog trzaja.

UPOZORENIE! Ukoliko se oštećeni lanac ne zamijeni ili popravi, može doći do teških ozljeda.

UPOZORENIE! Lanac pile je oštar. Za vrijeme radova na održavanju pile uvijek nosite zaštitne rukavice.

Održavanje vodilice

Kada se na vodilici uoče znakovi istrošenosti, preokrenite vodilicu odozdo prema gore na pili da biste raspodijelili trošenje za najdulji vijek trajanja šipke. Šipku treba čistiti svaki dan uporabe te provjeravati je li se istrošila i oštetila. Oštećivanje ili izdubljivanje tračnica šipke normalan je postupak trošenja šipke. Takve nedostatke treba izgladiti turpijom čim se pojave.



Šipku s bilo kojim od sljedećih nedostataka treba zamijeniti.

- Trošenje unutar tračnica šipke kojim se dopušta bočna polegnutost lanca.
- Savijena vodilica.
- Napuknute ili slomljene tračnice.
- Raširene tračnice.

Podmažite vodilice s lančanikom na vrhu svaki tjedan. Upotrebljavajući štrcaljku za podmazivanje tjedno podmazujte otvor za podmazivanje. Okrenite vodilicu i provjerite ima li nečistoća u otvorima za podmazivanje i tračnicama šipke.

Plan održavanja

Dnevna provjera

Podmazanost vodilice	Prije svake upotrebe
Napetost lanca	Prije svake upotrebe i redovito
Oštrina lanca	Prije svake upotrebe, vizualna provjera
Provjera oštećenih dijelova	Prije svake upotrebe
Provjera olabavljenih spojnica	Prije svake upotrebe
Vodilica	Prije svake upotrebe
Cijela pila	Nakon svake upotrebe

Zamjenski dijelovi (Vodilica i lanac)

Proizvođač	MILWAUKEE	OREGON
Lanac pile	4932 4801 76	90F033XTR
Vodilica	4932 4801 69	360804

Lanac mora biti montiran na vodilicu istog proizvođača, prema gore navedenim kombinacijama.

Shematski prikaz

Po potrebi se može zatražiti crtež eksplozije aparata uz davanje podataka o tipu stroja i desetoznamenkastog broja na pločici snage kod Vaše servisne službe ili direktno kod Technronic Industries GmbH, Max-Eyth-Straße 10, 71364 Winnenden, Germany.

SIMBOLI

	Molimo da pažljivo pročitate uputu o upotrebi prije puštanja u rad.
	PAŽNJA! UPOZORENIE! OPASNOST!
	Prije svih radova na stroju izvaditi bateriju za zamjenu.
	Stroj ne izlagati kiši.
	Ne koristiti jednom rukom
	Prilikom korištenja, pilu za obrezivanje uvijek držite s obje ruke
	Nosite zaštitne cipele sa štitnikom za rezanje, neravnim potplatima i čeličnim štitnicima za prste!
	Nositi zaštitne rukavice!
	Nosite uvijek zaštitnu odježu i zatvorene cipele.
	Nosite zaštitnu kacigu. Nositi zaštitu sluha! Koristite zaštitne naočale.
	Ne zaboravite na mogućnost povratnog trzaja pile i izbjegavajte kontakt s vrhom vodilice
	Druge se osobe tijekom upotrebe moraju nalaziti na udaljenosti od najmanje 50 stopa (15 metara).
	Spremnik za ulje lanca
	Zaokrenite za podešavanje napetosti lanca
	Smjer rada pile
	Oprema - u opsegu isporuke nije sadržana, preporučena dopuna iz promograma opreme.



Stare baterije, električni i elektronički uređaji se ne smiju zbrinjavati skupa sa kućnim smećem. Stare baterije, električni i elektronički uređaji se moraju odvojeno skupljati i zbrinuti. Prije zbrinjavanja odstranite stare baterije, stare akumulatora i rasvjetna sredstva iz uređaja. Raspitajte se kod mjesnih vlasti ili kod Vašeg stručnog trgovca o mjestima recikliranja i mjestima skupljanja. Zavisno o mjesnim odredbama stručni trgovci mogu biti obvezatni, stare baterije, i električne i elektroničke stare uređaje besplatno uzeti nazad. Doprinesite kroz ponovnu primjenu i recikliranje Vaših starih baterija, električnih i elektronskih uređajatom, da se potreba za sirovinama smanji. Stare baterije (prije svega litij-ionske baterije, električne i elektronske stare uređaje sadrže dragocjene, ponovno uporabljive materijale, koje bi kod zbrinjavanja protivno očuvanju okoline mogli imati negativne posljedice za okolinu i Vaše zdravlje. Prije zbrinjavanja izbrišite postojeće podatke koji se odnose na osobe, koji se po mogućnosti nalaze na Vašem starom uređaju.



Garantirani nivo učinka zvuka 79 dB(A)



Brzina lanca bez opterećenja



Napon



Istosmjerna struja



Europski znak suglasnosti



Britanski znak suglasnosti



Ukrajinski znak suglasnosti



Euroazijski znak suglasnosti

TEHNIŠKIE DATI

	M18 FHS20
Konstrukcija	därznieka zāģis
Izlaides numurs	4916 50 01 XXXXXX MJJJ
Akumulātora spriegums	18 V =
Kēdes griešanās ātrums tukšgaitā	4,8 m/s
Vadotnes garums maksimālais	8" / 200 mm
Izmantojamais zāģēšanas garums	7,4" / 189 mm
Kēžu eļļas tvirtnes ietilpība	77 ml
Svars atbilstoši EPTA -Procedure 01/2014 01/2014 (Li-Ion 2.0 Ah .. 12.0 Ah)	2,8 kg 3,9 kg
Darbībai ieteicamā apkārtnes temperatūra	-18 ... +50 °
Ieteicamie akumulatoru komplekti	M18B...; M18HB...
Ieteicamās uzlādes ierīces	M12-18...; M1418C6

Trokšņu informācija: Vērtības, kas noteiktas saskaņā ar EN 62841. A novērtētās aparatūras skaņas līmenis ir:

Trokšņa spiediena līmenis / Nedrošība K=

81 dB (A) / 3 dB (A)

Trokšņa jaudas līmenis / Nedrošība K=

89 dB (A) / 3 dB (A)

Nēsāt trokšņa slāpētāju!

Vibrāciju informācija: Svārstību kopējā vērtība (Trīs virzienu vektoru summtiek noteikta atbilstoši EN 62841.

svārstību emisijas vērtība a_w / Nedrošība K=

4,9 m/s² / 1,5 m/s²

UZMANĪBU!

Vibrācijas un trokšņa emisijas līmenis šajā informācijas lapā ir izmērīts saskaņā ar EN 62841 standarta testa metodi un var tikt izmantots, lai salīdzinātu vienu ierīci ar otru. Tās var tikt izmantotas ietekmes sākotnējai izvērtēšanai.

Norādītais vibrācijas un trokšņa emisijas līmenis attēlo ierīces galvenos izmantošanas veidus. Tomēr, ja ierīce tiek izmantota citiem mērķiem, ar citu papildaprīkojumu vai nepareizi apkalpota, vibrācijas un trokšņa emisija var atšķirties. Tas var ievērojami paaugstināt ietekmes līmeni visā darba laikā.

Novērtējot vibrācijas un trokšņa ietekmes līmeni, vajadzētu ņemt vērā arī laiku, kad ierīce ir izslēgta vai ieslēgta, taču netiek lietota. Tas var ievērojami samazināt ietekmes līmeni visā darba laikā.

Lai aizsargātu operatoru no vibrācijas un/vai trokšņa, veiciet papildu drošības pasākumus, piemēram, veiciet apkopi ierīcei un papildaprīkojumam, uzturiet rokas siltas, organizējiet darba grafiku.

Nēsājiet ausu aizsargus. Trokšņa iedarbības rezultātā var rasties dzirdes traucējumi.

UZMANĪBU! Izlasiet visus drošības norādījumus, instrukcijas, attēlus un datus, ko saņemat kopā ar ierīci. Turpmāk sniegto norādījumu neievērošana var kļūt par cēloni elektriskajam triecienam, ugunsgrēkam un/vai smagam savainojumam. **Pēc izlasīšanas uzglabājiet šos noteikumus turpmākai izmantošanai.**

VISPĀRĒJO DĀRZNIEKA ZĀĢA LIETOŠANAS DROŠĪBAS BRIDINĀJUMI

- Dārznieka zāģa lietošanas laikā nepieļaujiet ķermeņa saskaršanos ar dārznieka zāģa ķēdi. Pirms dārznieka zāģa iedarbināšanas nodrošiniet, lai ķēde nekam nepieskartos.** Neuzmanības brīdī jūsu apģērbs vai kāda ķermeņa daļa var tikt ierauta zāģa ķēdē.
- Vienmēr turiet dārznieka zāģi ar labo roku uz aizmugurējā roktura un kreiso roku uz priekšējā roktura.** Turot rokturus otrādā secībā, paaugstinās miesas bojājumu risks, un no šādas rīcības jāizvairās.
- Turiet dārznieka zāģi tikai aiz izolētām satveršanas virsmām, jo zāģa ķēde var saskarties ar slēptiem vadiem.** Ja zāģa ķēdes saskaras ar spriegumnesošu vadu, arī dārznieka zāģa metāla daļas var nonākt zem sprieguma un izraisīt elektrošoku.
- Lietojiet acu aizsarglīdzekļus. Ieteicams izmantot papildu dzirdes, galvas, roku, kāju un pēdu aizsarglīdzekļus.** Pietiekams aizsargaprīkojums samazinās iespēju gūt miesas bojājumus no lidojošiem zāģēšanas atkritumiem vai nejaušas saskares ar zāģa ķēdi.
- Nelietojiet dārznieka zāģi, stāvēt kokā, uz kāpnēm, uz jumta vai jebkura nestabila atbalsta.** Šādi strādājot ar dārznieka zāģi, var iegūt smagus miesas bojājumus.
- Vienmēr saglabājiet stabilu pamatu zem kājām un dārznieka zāģa darbināšanas laikā stāviet uz stabilas, drošas un līdzsvaras virsmas.** Uz slidenas vai nestabilas virsmas iespējams zaudēt līdzsvaru un kontroli pār zāģi.

- Zāģējot lielu nospriegotu zaru, uzmanieties no atsperes efekta.** Kad koka šķiedras tiek atbrīvotas no nospriegojuma, šāds zars kā atbrīvota atspere var iesist operatoram un/vai operators var zaudēt kontroli pār zāģi.
- Zāģējot krūmus un jaunus kociņus, jārikojas īpaši piesardzīgi.** Zāģa ķēde var ieraut smalko materiālu, negaidīti metot to jūsu virzienā vai liekot zaudēt līdzsvaru.
- Pārnēsājot dārznieka zāģi, turiet to aiz priekšējā roktura.** Dārznieka zāģim jābūt izslēgtam, un tas nedrīkst saskarties ar ķermeni. Transportējot vai uzglabājot dārznieka zāģi, vienmēr uzlieciet vadotnes pārsegu. Pareiza rīkošanās ar dārznieka zāģi samazina iespēju nejauši saskarties ar kustībā esošu zāģa ķēdi.
- Ievērojiet norādījumus par eļļošanu, ķēdes spriegošanu un vadotnes un ķēdes nomaiņu.** Nepareizi nospriegota vai ieeļļota ķēde var vai nu salūzt, vai arī palielināt atsitienu iespēju.
- Rokturim jābūt sausiem, tīriem, uz tiem nedrīkst atrasties eļļa un smērvielas.** Tūkaini, eļļaini rokturi ir slideni un var izraisīt kontroles zudumu.
- Zāģējiet tikai koksni. Nelietojiet dārznieka zāģi neparedzētiem nolūkiem, piemēram, nelietojiet dārznieka zāģi metāla, plastmasas, mūra vai citu tādu būvmateriālu zāģēšanai, kas nav izgatavoti no koka.** Dārznieka zāģa izmantošana dažādām neparedzētām darbībām var radīt bīstamu situāciju.
- Iztīrot dārznieka zāģi no tajā iestrēgušajiem materiāliem, uzglabājot dārznieka zāģi vai veicot tā tehnisko apkopi, ievērojiet visus norādījumus. Pārlicinieties, ka slēdzis ir izslēgts un akumulatoru pakotne ir izņemta.** Negaidīta dārznieka zāģa iedarbošanās iestrēgušo materiālu tīrīšanas vai dārznieka zāģa tehniskās apkopes laikā var radīt smagus miesas bojājumus.
- Atsitienu cēloņi un operatora iespējas to novērst:** Atsitiens var notikt, ja vadotnes priekšdaļa vai uzgalis saskaras ar kādu priekšmetu vai koksne sakļaujas un iespiež zāģa ķēdi zāģēšanas atverē. Dažos gadījumos saskare ar uzgali var izraisīt pēkšņu atgriezenisku

reakciju, kuras rezultātā vadotne tiek pasista uz augšu un atpakaļvirzienā uz operatoru.

Ja zāģa ķēde tiek iespiesta gar vadotnes augšējo daļu, vadotne var tikt strauji izgrūsta operatora virzienā.

Katras šādas reakcijas rezultātā iespējams zaudēt kontroli pār zāģi, kas var izraisīt smagus miesas bojājumus. Nepalaujieties tikai uz jūsu zāģi iebūvētajam drošības ierīcēm.

Jums kā dārznieka zāģa lietotājam jāveic vairāki pasākumi, lai zāģēšanas laikā novērstu nelaimes gadījumus vai miesas bojājumus.

Atsitiens rodas dārznieka zāģa nepareizas izmantošanas un/vai nepareizi lietošanas darbību vai apstākļu dēļ, un to var novērst, īstenojot turpmākos piesardzības pasākumus:

a) Stingri turiet dārznieka zāģi, ar īrkšji un pārējiem rokas pirkstiem cieši aptverot dārznieka zāģa rokturus. Satveriet zāģi ar abām rokām un turiet ķermeni un rokas tādā stāvoklī, kas ļaus pārvarēt atsitienu spēkus. Ja tiek veikti pienācīgi piesardzības pasākumi, operators var kontrolēt atsitienu spēku darbību. Neatļaidiet zāģi.

b) Zāģējot nesniedzieties pārāk tālu un nepārsniedziet plecu augstumu. Tas palīdz novērst nejausu saskāri ar uzgali un nodrošina labāku kontroli pār dārznieka zāģi negaidītās situācijās.

c) Izmantojiet tikai ražotāja norādītās rezerves slīdes un ķēdes. Nepiemērotas vadotņu un ķēžu rezerves daļas var izraisīt ķēdes salūšanu un/vai atsitienu.

d) Izpildiet ražotāja zāģa ķēdes asināšanas un tehniskās apkopes norādījumus. Dzijuma mērierīces augstuma samazināšanās var izraisīt spēcīgāku atsitienu.

CITAS DROŠĪBAS UN DARBA INSTRUKCIJAS

Lietojot motorzāģi pirmo reizi, ieteicams zāģēt balķus, novietojot tos uz zāģēšanas stēķa vai sastatnēm.

Sasaistīšana

Sasaitīt tikai ar enerģiju absorbējošām štoprēm. Siksnu pievienot tikai štopres cilpai.

Nepievienojiet piesiešanas līdzekli rokturim, slīdes pārsegam vai jebkuram citam instrumenta punktam.

Pārliecinieties, vai visi aizsarglīdzekļi, rokturi un metāla dzelkšņu buferi ir pareizi uzstādīti un labā stāvoklī.

Personām, kas izmanto dārznieka zāģi, jābūt pie labas veselības. Dārznieka zāģis ir smags, tāpēc operatoram ir jābūt labā fiziskā formā.

Operatoram jābūt modram, viņam nepieciešama laba redze, mobilitāte, līdzsvarā sajūta un veikas rokas. Ja rodas šaubas, nestrādājiet ar dārznieka zāģi.

Neiedarbiniet dārznieka zāģi, kamēr nav atbrīvota darba zona, nodrošināts stabils pamats zem kājām un izplānots atkāpšanās ceļš no krītoša koka. Uzmanieties no izdalītās eļļas migļiņas un zāģskaidām. Ja nepieciešams, valkājiet sejas masku vai respiratoru. Nezaģējiet vīnogulājus un/vai pameža kociņus.

Darba laikā obligāti turiet dārznieka zāģi ar abām rokām. Ar īrkšji un pārējiem rokas pirkstiem cieši aptveriet dārznieka zāģa rokturus. Labajai rokai jāatrodas uz aizmugurējā roktura un kreisajai - uz priekšējā roktura.

Pirms dārznieka zāģa iedarbināšanas pārliecinieties, ka zāģa ķēde nesaskaras ne ar vienu priekšmetu.

Aizliegts jebkādā veidā pārveidot dārznieka zāģa konstrukciju, kā arī izmantot to, lai darbinātu dārznieka zāģa ražotāja neapstiprinātus piederumus vai ierīces.

Operatora tuvumā jāatrodas pirmās palīdzības komplektam, kurā ir lieli brūču pārsienāmie līdzekļi, kā arī uzmanības piesaistīšanas līdzekļi (piemēram, svilpei). Pietiekamā tuvumā jāatrodas arī apjomīgākam pirmās palīdzības komplektam.

Nepareizi nospiēgta ķēde var nokrist no vadotnes un izraisīt nopietnus miesas bojājumus vai nāves iestāšanos. Ķēdes garums ir atkarīgs no temperatūras. Regulāri pārbaudiet spriegojumu.

Jums vajadzētu pierast pie sava jaunā dārznieka zāģa, veicot vienkāršu droši atbilstīgu koka zāģēšanu. Dariet to ikrēzi, kad kādu laiku neesat strādājis ar zāģi. Lai samazinātu traumu risku, kas saistīts ar pieskaršanos kustīgajām daļām, vienmēr apturiet motoru, noņemiet akumulatora bloku un pārliecinieties, vai visas kustīgās

daļas ir apstājušās, pirms darīt turpmāko:

- tīrīšana vai bloķējuma likvidēšana
- atstājot motorzāģi bez uzraudzības
- piederumu uzstādīšana vai noņemšana
- pārbaude, tehniskā apkope vai darbs ar zāģi

Darba zonas izmērs ir atkarīgs no veicamā darba, kā arī no apstrādājamā koka vai darba daļas lieluma. Piemēram, koka nogāšanai ir vajadzīga lielāka darba zona nekā citiem zāģēšanas darbiem, piemēram, sagarumošanai utt. Operatoram jāapzinās un jākontrolē viss, kas notiek darba zonā.

Zāģēšanas laikā jūsu ķermenis nedrīkst atrasties līdzās vadotnei un ķēdei. Atsitienu gadījumā tas palīdzēs novērst ķēdes saskāri ar jūsu galvu vai ķermeni.

Neveiciet zāģēšanas kustību "uz priekšu un atpakaļ", ļaujiet ķēdei veikt darbu. Ķēdei vienmēr jābūt asai, nemēģiniet ar spēku stumt ķēdi caur iezāģējuma atveri.

Nespiediet uz zāģi pie iezāģējuma atveres beigām. Esat gatavs uzņemt zāģa svaru, kad tas iznāk no koka. Šo noteikumu neievērošana var izraisīt smagus miesas bojājumus.

Neapturiet zāģi zāģēšanas vidū.

Turpiniet darbināt zāģi, līdz tas atrodas ārpus zāģēšanas atvēruma. Rokas darbības laikā nedrīkst fikstēt.

Pirms mašīnai veikt jebkāda veida apkopes darbus, ir jāizņem ārā akumulatori.

UZMANĪBU! Lai novērstu īssavienojuma izraisītu aizdegšanās, savainojumu vai produkta bojājuma risku, neiegremdējiet instrumentu, maināmo akumulatoru vai uzlādes ierīci šķidrums un rūpējieties par to, lai ierīcēs un akumulatoros neiekļūtu šķidrums. Koroziju izraisoši vai vadītspējīgi šķidrums, piemēram, sālsūdens, noteiktas ķīmikālijas, balinātāji vai produkti, kas satur balinātājus, var izraisīt īssavienojumu.

M18 sistēmas akumulatorus lādēt tikai ar M18 sistēmas lādētājiem. Nedrīkst lādēt citus akumulatorus no citām sistēmām.

Akumulatorus un lādētājus nedrīkst taisyt valā un tie jāuzglabā sausās telpās.

Spiest un vilkt

Reakcijas spēks vienmēr ir pretējis virzienam, kurā ķēde kustas. Tādējādi operatoram jābūt gatavam kontrolēt motorzāģa tendenci vilkt projām (virzienā uz priekšu), zāģējot gar apakšējo vadotnes malu, un stumt atpakaļ (virzienā uz operatoru), zāģējot gar augšējo malu.

Zāģis iestrēdzis kokā

Apstādiniet dārznieka zāģi un nostipriniet to. Nemēģiniet ar spēku izdabūt ķēdi un vadotni no atvēruma, jo tādējādi, visticamāk, ķēde tiks salauzta, tā var atlēkt atpakaļ un trāpīt operatoram. Parasti šāda situācija rodas tāpēc, ka koks ir nepareizi atbalslīts, kas liek atvērumam aizvērties spiediena iedarbībā, un asmens iestrēgst. Ja atbalsa koreģēšana neatbrīvo vadotni un ķēdi, izmantojiet koka ķīļus vai sviru, lai atvērtu zāģēšanas atvērumu un atbrīvotu zāģi. Nemēģiniet iedarbināt dārznieka zāģi, kad vadotne jau ir iezāģējumā vai atvērumā.

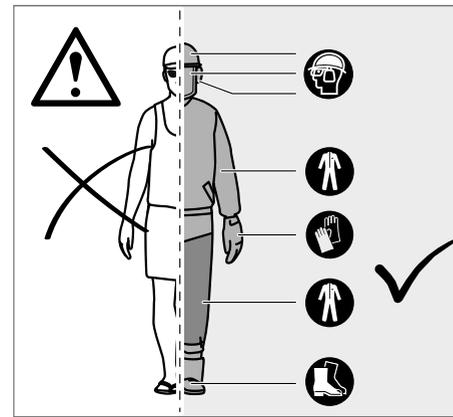
Slīdēšana/lēkāšana

Ja dārznieka zāģis zāģēšanas sākumā neiegriežas kokā, vadotne var sākt lēkāt vai bīstami slīdēt pa balķa vai zara virsmu, kā rezultātā iespējams zaudēt kontroli pār zāģi. Lai novērstu vai samazinātu slīdēšanu vai lēkāšanu, lietojiet zāģi ar abām rokām, lai nodrošinātu, ka zāģa ķēde izveido gropi zāģēšanai. Nezaģējiet ar dārznieka zāģi mazus, lokanus zarus vai krūmus. To izmērs un lokanība var viegli izraisīt zāģa atliecenu jūsu virzienā vai iestrēgšanu ar tādu spēku, kas var radīt atsitienu. Vislabākais rīki šāda veida darbiem ir rokas zāģis, atzarošanas šķēres, cirvis vai citi rokas instrumenti.

Individuālie aizsarglīdzekļi

Lietojot motorzāģi, vienmēr valkājiet ķiveri. Ķivere, kas aprīkota ar acu aizsargu, var palīdzēt samazināt sejas un galvas ievainojumu risku atsitienu gadījumā. Nēsāt trokšņa slāpētāju!

Labas kvalitātes individuālie aizsarglīdzekļi, ko izmanto profesionāļi, palīdz samazināt miesas bojājumu risku. Lietojot motorzāģi, jāizmanto šādi aizsarglīdzekļi:



Drošības ķivere

jāatbilst EN 397 un jābūt ar CE marķējumu

Dzirdes aizsarglīdzekļi

jāatbilst EN 352-1 un jābūt ar CE marķējumu

Acu un sejas aizsarglīdzekļi

jābūt ar CE marķējumu un jāatbilst EN 166 (drošības brillēm) vai EN 1731 (acu aizsargiem)

Cimdi

jāatbilst EN381-7 un jābūt ar CE marķējumu

Kāju aizsarglīdzekļi (getras)

jāatbilst EN 381-5, jābūt ar CE marķējumu un jānodrošina pilnīga aizsardzība pret EN 381-5, jābūt ar CE marķējumu un jānodrošina pilnīga aizsardzība

Dārznieka zāģa lietotāja drošības zābaki

jāatbilst EN ISO 20345: 2004 un jābūt marķētiem ar vairogu, uz kura attēlots dārznieka zāģis, kas atbilst EN 381-3 prasībām. (Gadījumā rakstura lietotāji var izmantot aizsargzābakus ar tērauda purngaliem un drošības getrām, kas atbilst EN 381-9 prasībām, ja zemes virsma ir līdzena un pastāv mazs risks, ka lietotājs varētu paklupt vai aizķerties aiz krūmiņiem vai nelieliem kociņiem)

Dārznieka zāģa lietotāja jakas ķermeņa augšdaļas aizsardzība

jāatbilst EN 381-11 un jābūt marķētām ar CE

PAZĪSTI SAVU DĀRZNIEKA ZĀĢI

1	Priekšējais rokturis	11	Metāla dzelkšņu buferis
2	Priekšējais rokturis	12	Zāģa ķēde
3	saslēgšanas ierīce	13	Vadotne
4	Jaudas slēdža	14	Vadotnes grope
5	Aizmugures rokturis	15	Ķēdes piedziņa
6	Ķēžu eļļas tvertnes vāciņš	16	dzenošā zobrata pārsegs
7	ķēdes eļļas tvertne	17	Ķēdes spriegotājskrūve
8	aizmugurējais rokas aizsargs	18	slīdes montāžas uzgrieznis
9	Kombinēta uzgriežņu atslēga	19	Vadotnes pārsegs
10	Baterija		

UZMANĪBU!

Aizdedzes slēdža, roku aizsarga (priekšējā un aizmugurējā), zobotā bufera, ķēdes ķērāja, ķēdes slīdes, maza atsitienu zāģa ķēdes neatbilstoša apkope, noņemšana vai pārveidošana var izraisīt drošības apdrojuma nepareizu darbību, tādējādi palielinot nopietnu traumu iespējamību.

Metāla dzelkšņu buferis

Zāģēšanas laikā iebūvēto metāla dzelkšņu buferi var izmantot kā atbalstu. Zāģēšanas laikā tas palīdz saglabāt dārznieka zāģa korpusa stabilitāti. Zāģējot stumiet zāģi uz priekšu, līdz metāla dzelkšņi iegriežas koka malā, tad, virzot aizmugurējo rokturi uz augšu vai uz leju griešanas līnijas virzienā, tas var palīdzēt mazināt fizisko slodzi, ko rada zāģēšana.

Vadotne

Parasti vadotnēm ar maziem rādiusa izmēriem ir nedaudz mazāks atsitienu potenciāls. Jums vajadzētu izmantot vadotni un atbilstošu ķēdi, kas ir pietiekami gara konkrētā darba veikšanai. Garākas vadotnes palielina kontroles zuduma risku zāģēšanas laikā. Regulāri pārbaudiet ķēdes spriegojumu. Zāģējot mazākus zarus (kuru garums ir mazāks par pilnu vadotnes garumu), ķēde, visticamāk, tiks izmesta, ja spriegojums nav pareizs.

NORĀDĪJUMI PAR PAREIZIEM KOKU GĀŠANAS, ATZAROŠANAS UN ŠĶĒRSZĀĢĒŠANAS PAMATPĀŅĒMIENIEM

Izpratne par spēkiem, kas darbojas kokā

Kad jūs izprotat virziena spiedienus un saspiļumus, kas darbojas kokā, jūs varat samazināt "iespūšanu" vai vismaz paredzēt to zāģēšanas laikā. Koka saspiļumus nozīmē to, ka šķiedras tiek atrautas cita no citas. Ja jūs zāģējat šajā zonā, tad šķēlums un iezāģējums parasti atveras, zāģim virzoties tam cauri. Ja balķis ir atbalslīts uz zāģēšanas stēķa, bet tā neatbalslītais gals nokarājas pāri stēķa galam, augšējā virsmā veidojas nospiļējums, jo neatbalslītā gala svārs nospiļo šķiedras. Tāpat arī balķa apakšējā daļa tiks saspiesta, un šķiedras tiek saspiestas kopā. Ja šajā zonā notiek zāģēšana, atvērumam ir tendence aizvērties. Tas var iespiest asmeni.

Koka atzarošana

Atzarošana ir nogāzta koka atbrīvošana no zariem. Atzarojot atstājiet lielākus apakšējos zarus, lai balķis negulētu uz zemes. Nozāģējiet nelielus zarus vienā panēmienā. Lai novērstu dārznieka zāģa iespūšanu, nospiļējot zari jāzāģē virzienā no apakšas uz augšu.

Atlecošu koku zāģēšana

Atlecošs koks ir jebkurš stumbrā nogrieznis, zars, sakņots stumbrs vai jauns kociņš, ko saliecis un nospiļojis cits koks. Ja koku, kas to noliecis, nozāģē vai aizvāc, atlecošais koks atlec atpakaļ.

Nogāzta koka celmam ar saknēm piemīt spēcīgs potenciāls sagarumošanas laikā atlēkt vertikālā stāvoklī, kad balķis tiek atdalīts no celma. Uzmanieties no atlecošiem kokiem - tie ir bīstami.

UZMANĪBU! Atlecoši koki ir bīstami. Tie var iesist operatoram, un operators var zaudēt kontroli pār dārznieka zāģi. Tas var izraisīt smagu vai nāvējošu miesas bojājumu. Šādus kokus vajadzētu zāģēt apmācītiem lietotājiem.

NOTEIKUMIEM ATBILSTOŠS IZMANTOJUMS

Bezvadu dārznieka zāģis ir paredzēts tikai izmantošanai ārpus telpām.

Drošības apsvērumu dēļ dārznieka zāģis ir pienācīgi jākontrolē, darba laikā turot to ar abām rokām.

Dārznieka zāģis ir paredzēts tādu zaru, stuburu, balķu un apaļkoku zāģēšanai, kuru diametru nosaka vadotnes garums. Tas ir paredzēts tikai koku zāģēšanai. To drīkst lietot tikai pieaugušajiem, kuri ir saņēmuši atbilstošu apmācību par aprādējumiem un profilakses pasākumiem/darbībām, kas jāveic, lietojot dārznieka zāģi.

Nelietojiet dārznieka zāģi mērķiem, kas nav uzskaitīti konkrētajos lietošanas nosacījumos. To nedrīkst izmantot profesionālu koku apķiršanas pakalpojumu sniegšanai. Dārznieka zāģi nedrīkst lietot bērni vai personas bez atbilstošiem individuālajiem aizsarglīdzekļiem un apģērba.

UZMANĪBU! Lietojot dārznieka zāģi, jāievēro drošības noteikumi. Pirms dārznieka zāģa lietošanas ir jāizlasa un pilnībā jāizprot šīs instrukcijas, lai panāktu jūsu un apkārtnējo cilvēku drošību. Jums vajadzētu apmeklēt profesionālus drošības noteikumu kursus par dārznieka zāģa lietošanu, profilaktiskajiem pasākumiem, pirmās palīdzības sniegšanu un tehnisko apkopi. Lūdzu, saglabājiet šīs norādes vēlāka lietošanai.

UZMANĪBU! Dārznieka zāģi ir potenciāli bīstami

darbarīki. Negadījumi, kas saistīti ar dārznieka zāģu lietošanu, bieži vien beidzas ar locekļu zaudēšanu vai nāvi. Bīstams ir ne tikai pats dārznieka zāģis. Cilvēku var nogalināt krītoši zari, krītoši koki un ripojoši balķi. Bojāti vai satrupējuši koki rada papildu bīstamību. Jums vajadzētu novērtēt savu spēju droši izpildīt uzdevumu. Ja rodas šaubas, atstājiet šo darbu profesionālam bojātu vai trupējušu koku kopējam.

Barošanas montāža un pieslēgšana

PARĒJIE RISKI

Pat lietojot ierīci atbilstoši noteikumiem, nav iespējams pilnībā izslēgt citus riskus. Ierīces izmantošanas laikā var rasties turpmākie riska faktori, kādēļ ierīces lietotājam nepieciešams ievērot turpmākus norādes:

- Miesas bojājumi, ko izraisa vibrācija
- Vienmēr izmantojiet konkrētajam darbam piemērotu darbarīku. Izmantojiet norādītos rokturus. Ierobežojiet darba laiku un iedarbības ilgumu.
- Dzirdes bojājums trokšņa iedarbības rezultātā
- Lietojiet dzirdes aizsarglīdzekļus un ierobežojiet iedarbības laiku.
- Miesas bojājumi, ko izraisa saskare ar atklātiem ķēdes zobiem
- Miesas bojājumi, ko izraisa izmestie zāģējamā materiāla gabali (koka skaidas, šķembas)
- Miesas bojājumi, ko izraisa zāģskaidas un daļiņas
- Ādas bojājumi, ko izraisa saskare ar smērvielām
- No zāģa ķēdes izmestās detaļas (griestu brūču/saduršanās risks)
- Neparedzēta, pēkšņa vadotnes kustība vai atsitieni (griestu brūču rašanās risks)

RISKA SAMAZINĀŠANA

- Izrīzots, ka rokas instrumentu vibrācijas dažiem cilvēkiem var izraisīt stāvokli, ko sauc par Reno (Raynaud) sindromu. Simptomi var būt pirkstu tirpšana un nejutīgums, kā arī pirksti var kļūt balti, kas parasti notiek aukstuma iedarbībā. Tiek uzskatīts, ka iedzimtība, aukstuma un mitruma iedarbība, nepareizs uzturs, smēķēšana un daži darbi veicina šo simptomu attīstību. Operators var veikt tālāk norādītos pasākumus, lai samazinātu vibrācijas ietekmi:
- Saglabājiet savu ķermeni siltu aukstā laikā. Lietojot motorzāģi, nēsājiet cimdus, lai rokas un plaukstu locītavas būtu siltumā.
- Pēc katra darba perioda veiciet vingrojumus, kas uzlabo asinsriti.
- Regulāri izmantojiet darba pārtraukumus. Ierobežojiet iedarbības apjomu dienā.
- Aizsargcimdi, ko piedāvā profesionālo dārznieka zāģu mazumtirgotāji, ir īpaši izstrādāti lietošanai darbā ar dārznieka zāģiem un nodrošina aizsardzību, laim satvērienu, kā arī samazina rokturu vibrācijas ietekmi. Šiem cimdiem jāatbilst EN 381-7, un tiem jābūt ar CE marķējumu.

Ja jums rodas kāds no šī stāvokļa simptomiem, nekavējoties pārtrauciet motorzāģa lietošanu un konsultējieties ar savu ārstu.

UZMANĪBU! Ilgstoša kādas ierīces lietošana var radīt vai paasināt miesas bojājumus. Lietojot jebkuru ierīci ilgstoši, ir jāievēro regulāri pārtraukumi.

NORĀDĪJUMI LITIJA JONU AKUMULATORIEM

Litija jonu akumulatoru lietošana

Akumulatori, kas ilgāku laiku nav izmantoti, pirms lietošanas jāuzlādē.

Pie temperatūras, kas pārsniedz 50°C, akumulatoru darbība tiek negatīvi ietekmēta. Vajag izvairīties no ilgākas saules un karstuma iedarbības.

Lādētāja un akumulatoru pievienojuma kontakti jāuztur tīri.

Lai baterijas darba ilgums būtu optimāls, pēc iekārtas izmantošanas tās jāuzlādē.

Lai akumulatori kalpotu pēc iespējas ilgāku laiku, tos pēc uzlādes ieteicams atvienot no lādētāja ierīces.

Akumulatora uzglabāšana ilgāk kā 30 dienas:

Glabājiet akumulatora bloku mitrumam nepakļautā vietā temperatūrā zem 27 °C

Uzglabāt akumulatoru uzlādes stāvoklī aptuveni pie 30%-50%.

Uzlādēt akumulatoru visus 6 mēnešus no jauna.

Litija jonu akumulatoru aizsardzība pret pārslodzi

Akumulatoru pārslodģojuma gadījumos, esot ļoti lielam elektroenerģijas patēriņam, piem., ārkārtīgi augsts griezes moments, pēkšņa apstāšanās vai īssavienojums, elektriskais darbarīks 5 sekundes vibrē, uzlādes indikators mirgo, un elektriskais darbarīks pats izslēdzas.

Lai to atkal ieslēgtu, atlaidiet ieslēgšanas pogu un tad to ieslēdziet no jauna. Esot ārkārtīgi augstam noslogojumam, akumulators sakarst pārāk daudz. Šādā gadījumā visas uzlādes indikatora lampiņas mirgo tik ilgi, kamēr akumulators ir atdzisis. Darbu varat turpināt, kad uzlādes indikators vairs nedeg.

Litija jonu akumulatoru transportēšana

Uz litija jonu akumulatoriem attiecas noteikumi par bīstamo kravu pārvadāšanu.

Šo akumulatoru transportēšana jāveic saskaņā ar vietējiem, valsts un starptautiskajiem normatīvajiem aktiem un noteikumiem.

Patērētāja darbības, pārvadājot šos akumulatorus pa autoceļiem, nav reglamentētas.

Uz litija jonu akumulatoru komerciālu transportēšanu, ko veic ekspedīcijas uzņēmums, attiecas bīstamo kravu pārvadāšanas noteikumi. Sagatavošanas darbus un transportēšanu drīkst veikt tikai atbilstoši apmācīts personāls. Viss process jāvada profesionāli.

Veicot akumulatoru transportēšanu, jāievēro:

Pārliecinieties, ka kontakti ir aizsargāti un izolēti, lai izvairītos no īssavienojumiem.

Pārliecinieties, ka akumulators iepakojumā nevar paslīdēt. Bojātus vai tekošus akumulatorus nedrīkst transportēt. Plašāku informāciju Jūs varat saņemt no ekspedīcijas uzņēmuma.

DARBA NORĀDĪJUMI

MONTĀŽA

Zāģa ķēdes un vadotnes montāža

UZMANĪBU! Ja kādas detaļas ir bojātas vai to trūkst, nelietojiet motorzāģi, pirms tās nav nomainītas. Šī brīdinājuma neievērošana var izraisīt nopietnus miesas bojājumus.

Izņemiet akumulatoru. Jāvai kā aizsargcimdi!

- Ar komplektā esošo kombinēto uzgriezņu atslēgu noskrūvējiet vadotnes montāžas uzgriezņus.
- Noņemiet ķēdes pārsegu.
- Novietojiet ķēdi pareizajā virzienā uz vadotnes un pārliecinieties, ka piedziņas savienojumi ir ievietoti vadotnes gropē.
- Pievienojiet vadotni pie dārznieka zāģa un apļieciet ķēdi ap piedziņas zvaigztnīti.
- Nomainiet ķēdes pārsegu un vadotnes montāžas uzgriezņus.
- Ar pirkstiem pieskrūvējiet vadotnes montāžas uzgriezņus. Lai regulētu ķēdes spriegojumu, vadotnei brīvi jāpārvietojas.
- Noregulējiet ķēdes spriegojumu. Skatiet sadaļu "Ķēžu spriegojuma regulēšana".
- Turiet vadotnes uzgali uz augšu un stingri pievelciet vadotnes montāžas uzgriezņus.

UZMANĪBU! Zāģa ķēde ir asa. Veicot ķēdes apkopi, vienmēr valkājiet aizsargcimdus.

Ķēdes spriegojuma regulēšana

Pirms instrumenta regulēšanas, tīrīšanas vai tehniskās apkopes atvienojiet akumulatora komplektu.

Lai palielinātu ķēdes spriegojumu, pagrieziet ķēdes spriegotājskrūvi pulksteņrādītāja virzienā un bieži pārbaudiet ķēdes spriegojumu. Lai samazinātu ķēdes spriegojumu, pagrieziet ķēdes spriegotājskrūvi pretēji pulksteņrādītāja virzienam un bieži pārbaudiet ķēdes spriegojumu.

Ķēdes spriegojums ir pareizs, ja atstarpe starp ķēdes zobiem un vadotni ir apmēram 6,8 mm. Paveļciet ķēdi vadotnes apakšējās daļas vidū uz leju (virzienā projām no vadotnes) un izmēriet attālumu starp stieni un ķēdes zobiem. Pievelciet vadotnes montāžas uzgriezņus, pagriežot tos pretēji pulksteņrādītāja kustības virzienam.

Piezīme: Nepieļaujiet pārmērīgu ķēdes sasprīģēšanu - pārmērīgs sasprīģēums izraisa pārmērīgu nodilumu, samazina ķēdes ekspluatācijas laiku un var sabojāt vadotni. Sākotnējās lietošanas laikā jaunās ķēdes var izstiepties un kļūt vaļīgas. Pirmo divu lietošanas stundu laikā regulāri izņemiet akumulatoru pakotni un pārbaudiet ķēdes spriegojumu. Parastas darbības laikā ķēdes temperatūra paaugstinās, izraisot ķēdes izstiepšanos. Regulāri pārbaudiet ķēdes spriegojumu un noregulējiet to pēc vajadzības. Ja ķēde tiek nosprīģota, kad tā ir silta, pēc atdzīšanas tā var kļūt pārāk nosprīģota. Pārliecinieties, vai ķēdes spriegojums ir pareizi noregulēts, kā norādīts šajās instrukcijās.

Ķēžu eļļas papildināšana

UZMANĪBU! Nekad neestrādājiet ar neieļļotu ķēdi. Ja zāģa ķēde darbojas bez eļļas, var sabojāties vadotne un zāģa ķēde. Ir svarīgi bieži pārbaudīt eļļas līmeni eļļas līmeņa mēritājā un pirms dārznieka zāģa lietošanas. Eļļas tvertnei jābūt pilnai vairāk par ¼ tilpuma, lai nodrošinātu pietiekami daudz eļļas darbam.

Piezīme: Koku trimēšanai ieteicams izmantot augu izcelsmes ķēžu eļļu. Minerāleļļa var kaitēt kokiem. Nekad neizmantojiet atkritumeļļu, automobiļu eļļu vai ļoti biezas eļļas. Tās var sabojāt dārznieka zāģi. Noīriet virsmu ap eļļas tvertnes vāciņu, lai novērstu piesārņojumu.

- Atskrūvējiet un noņemiet eļļas tvertnes vāciņu.
- Ielieji eļļas tvertnei eļļu un kontrolējiet eļļas līmeņa mēritāja rādījumus.
- Uzlieciet eļļas tvertnei vāciņu un aizskrūvējiet to. Noslaukiet izšakstījušos eļļu.

Dārznieka zāģa turēšana

Vienmēr turiet dārznieka zāģi ar labo roku uz aizmugurējā roktura un kreiso roku uz priekšējā roktura. Ar īkšķi un pārējiem rokas pirkstiem cieši aptveriet abus dārznieka zāģa rokturus.

Dārznieka zāģa iedarbināšana

Pirms palaist dārznieka zāģi, tajā jāuzstāda akumulatora komplekts.

Aizsardzība pret restartu

Elektriskajam darbarīkam ir iebūvēta drošības funkcija, kas novērš automātisku restartu.

Tas novērš, ka elektroinstrumenti atsāk automātiski darboties, kad akumulatora komplekts ir ievietots, un ka nenotiek restartēšanās pēc akumulatora komplekta izslēģšanas funkcijas.

Ja sliede ir ārpus koka, izslēdziet iekārtu un pēc tam atkal ieslēdziet, lai turpinātu darbu.

Ja sliede atrodas kokā, pagaidiet, līdz zāģa ķēde pilnībā apstājas. Pārliecinieties, ka slēdzis atrodas izslēģtā pozīcijā. Noņemiet akumulatora komplektu no iekārtas un sliedi no griezuma vietas. Ievietojiet akumulatora komplektu un pēc tam atkal izslēdziet iekārtu, lai turpinātu darbu.

TRANSPORTĒŠANA UN GLABĀŠANA

Uzglabāšanas laikā ķēdei vienmēr jābūt viegli ieeļļotai, lai novērstu rūšēšanu. Uzglabāšanas laikā eļļas tvertnei vienmēr jābūt tukšai, lai novērstu nopļūdi.

Apturiet motorzāģi, noņemiet akumulatoru un ļaujiet zāģim atdzist pirms uzglabāšanas vai transportēšanas.

Attīriet motorzāģi no visiem svešķermeņiem. Uzglabājiet motorzāģi vēsā, sausā un labi vēdināmā vietā, kas nav pieejama bērniem. Nepieļaujiet saskari ar kodīgām vielām, piemēram, dārzkopības ķīmikālijām un atledošanas sāļiem. Neglabājiet motorzāģi ārpus telpām.

Pirms motorzāģa glabāšanas vai transportēšanas laikā uzlieciet vadotnes pārsegu.

Transportēšanai transportlīdzeklī nodrošiniet motorzāģi pret kustēšanos vai nokrišanu, lai novērstu miesas bojājumus vai ierīces bojājumus.

TĪRĪŠANA

Noīriet puteļus un grūžus no atverēm. Uzturiet rokturi tīru, sausu un bez eļļas vai smērvielu piesārņojuma. Izmantojiet tīrīšanai tikai maigas ziepes un mitru drānu, jo daži tīrīšanas līdzekļi un šķīdinātāji kaitē plastmasai un citām izolētām daļām. Daži no tiem ir benzīns, terpentīns, lakas šķīdinātājs, krāsas šķīdinātājs, hlorēti tīrīšanas šķīdumi, amonjaks un saimniecības tīrīšanas līdzekļi, kas satur amonjaku. Nekad neizmantojiet deģošu vai uzliesmojošus šķīdinātājus instrumentu tūvumā.

APKOPE

UZMANĪBU! Izmantojiet tikai firmu Milwaukee piederumus un firmas Milwaukee rezerves daļas. Ja šīs pasākums nav veikts, pastāv miesas bojājumu risks, veiktspējas samazināšanās risks un jūsu garantijas saistību anulēšanas risks. Izmantojiet tikai firmu Milwaukee piederumus un firmas Milwaukee rezerves daļas. Lieciet nomainīt detaļas, kuru nomaiņa nav aprakstīta, kādā no firmu Milwaukee klientu apkalpošanas servisiem. (Skat. brošūru "Garantija/klientu apkalpošanas serviss".)

UZMANĪBU! Motorzāģa tehniskajai apkopei nepieciešama ārkārtīga rūpība un zināšanas, un to vajadzētu veikt tikai kvalificētam tehniskās apkopes mehāniķim. Lai veiktu remontu, mēs iesakām nogadāt motorzāģi tuvākajai MILWAUKEE tehniskās apkopes stacijai. Veicot tehnisko apkopi, izmantojiet tikai identiskas rezerves daļas.

UZMANĪBU! Pirms regulēšanas, apkopes vai tīrīšanas atvienojiet akumulatoru. Šī noteikuma neievērošana var izraisīt smagas traumas. Jūs varat veikt tikai šajā rokasgrāmatā aprakstītās korekcijas vai remontu. Lai veiktu citus remontdarbus, sazinieties ar pilnvaroto pakalpojumu sniedzēju.

Nepareiza tehniskā apkope var izraisīt ķēdes bremžu un citu drošības elementu nepareizu darbību, tādējādi palielinot nopietnu miesas bojājumu iespēģu.

Jūsu dārznieka zāģim nepieciešama profesionāla tehniskā apkope, lai tas būtu drošs. • Droša ķēdes asināšana ir darbs, kas prasa iemaņas. Tādēļ ražotājs stingri iesaka nomainīt nodilušu vai neasu ķēdi ar jaunu, kas ir pieejama jūsu MILWAUKEE tehniskās apkopes stacijai. Daļas numurs ir norādīts šīs rokasgrāmatas izstrādājuma specifikācijas tabulā.

Ievērojiet eļļošanas un ķēdes spriegojuma pārbaudes un regulēšanas norādījumus.

Pēc katras lietošanas noīriet motorzāģi ar mīkstu, sausu drānu.

Iztīriet akumulatora nodalījumu no skaidām, neītrumiem un gruziem. Regulāri pārbaudiet visus uzgriezņus, bultskrūves un skrūves, lai nodrošinātu drošu motorzāģa darba stāvokli. Jebkura bojātā detaļa ir pareizi jāizremontē vai jānomaina MILWAUKEE tehniskās apkopes stacijā.

Vadotnes un zāģa ķēdes nomainīšana

Valkājiet aizsargcimdus.

- Izņemiet akumulatora komplektu;
- Noņemiet sliedes pārsegu
- Ar komplektā esošo kombinēto uzgriezņu atslēgu noskrūvējiet vadotnes montāžas uzgriezņus.
- Noņemiet ķēdes pārsegu.
- Samaziniet zāģa ķēdes spriegojumu. Skatīt kodaļu "Ķēdes spriegojuma pielāģošana".
- Noņemiet veco ķēdi ar sliedi
- Novietojiet jauno ķēdi pareizajā virzienā uz vadotnes un pārliecinieties, ka piedziņas savienojumi ir ievietoti vadotnes gropē.
- Pievienojiet vadotni pie dārznieka zāģa un apļieciet ķēdi ap piedziņas zvaigztnīti.
- Nomainiet ķēdes rata aizsargu un sliedes montāžas uzgriezni.
- Ar roku pievelciet sliedes stiprinājuma uzgriezni.
- Lai regulētu ķēdes spriegojumu, slidei jābūt brīvi kustīgai.
- Noregulējiet ķēdes spriegojumu. Skatiet sadaļu "Ķēžu spriegojuma regulēšana".
- Turiet vadotnes uzgali uz augšu un stingri pievelciet vadotnes montāžas uzgriezņus.

UZMANĪBU! Neasa vai nepareizi uzasināta ķēde zāģēšanas laikā var izraisīt pārāk lielu motora ātrumu un smagus motora bojājumus.

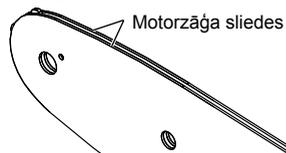
UZMANĪBU! Nepareizi uzasināta ķēde palielina atsitienu iespēģu.

UZMANĪBU! Ja bojāta ķēde netiek nomainīta vai izremontēta, iespējama smagu miesas bojājumu rašanās.

UZMANĪBU! Zāģa ķēde ir asa. Veicot ķēdes apkopi, vienmēr valkājiet aizsargcimdus.

Slīdes apkope

Kad uz slīdes parādās nodiluma pazīmes, apgrieziet sliedi zāģī no apakšas uz augšu, lai sadalītu nodilumu un nodrošinātu maksimālu kalpošanas laiku. Sliede jātīra katru lietošanas dienu un jāpārbauda, vai tā nav nodilusi un bojāta. Slīdes "spalvošanās" un noslīpēšanās ir normāls tās nodiluma process. Šādi defekti jāizlīdzina ar vīli, tiklīdz tie rodas.



Sliede ar kādu no šādiem defektiem ir jānomaina.

- Nodilums slīdes iekšpusē, kas ļauj ķēdei noslīdēt uz sāniem.
- Saliekta sliede.
- Ieplaisājušas vai salauztas slīdes.
- Izpletušas slīdes.

Katru nedēļu eļļojiet slīdes kopā ar zvaigznīti to galos izmantojot smērvielas šļirci, katru nedēļu ieeļļojiet eļļošanas atveri. Pagrieziet sliedi un pārbaudiet, vai eļļošanas caurumos un stienā slīdēs nav netīrumu.

Tehniskās apkopes grafiks

Ikdienas pārbaude

Vadotnes ieeļļošana	Katru reizi pirms lietošanas
Ķēdes spriegojums	Katru reizi pirms lietošanas un regulāri
Ķēdes asums	Katru reizi pirms lietošanas, vizuālā pārbaude
Bojātas detaļas	Katru reizi pirms lietošanas
Vajīgi stiprinājumi	Katru reizi pirms lietošanas
Vadotne	Katru reizi pirms lietošanas
Viss zāģis	Pēc katras lietošanas

Rezerves daļas (Vadotne un ķēde)

Ražotājs	MILWAUKEE	OREGON
Ķēde	4932 4801 76	90F033XTR
Vadotne	4932 4801 69	360804

Ķēde jāaprīko ar tā paša ražotāja vadotni, ievērojot iepriekš minētās kombinācijas.

Kopsalikuma attēls

Ja nepieciešams, klientu apkalpošanas servisā vai tieši pie firmas Techtronic Industries GmbH, Max-Eyth-Straße 10, 71364 Winnenden, Germany, var pieprasīt instrumenta numurs, kas norādīts uz jaudas paneļa.

SIMBOLI	
	Pirms sākt lietot instrumentu, lūdzu, izlasiet lietošanas pamācību.
	UZMANĪBU! BĪSTAMI!
	Pirms mašīnai veikt jebkāda veida apkopes darbus, ir jāizņem arī akumulators.
	Ierīci sargājiet no lietus.
	Strādājot ar motorzāģi, neturiet to ar vienu roku
	Vienmēr turiet to ar abām rokām
	Valkājiet drošības zābakus, kas nodrošina aizsardzību pret griezumiem, ar neslidošu zoli un tērauda purngalu!
	Jāvalkā aizsargcimdi!
	Vienmēr valkājiet aizsargapģērbu un stingrus apavus.
	Nēsājiet aizsargķiveri. Nēsāt trokšņa slāpētāju! Izmantojiet aizsargbrilles.
	Sargieties no dārznieka zāģa atsitiena un izvairieties no saskares ar vadotnes uzgali
	Nodrošiniet, ka apkārtesošās personas lietošanas laikā atrodas vismaz 15 metru attālumā.
	Ķēdes eļļas tvertne
	Pagrieziet, lai noregulētu ķēdes spriegojumu
	Ķēdes griešanās virziens
	Piederumi - standartaprīkojumā neietvertās, bet ieteicamās papildus komplektācijas detaļas no piederumu programmas.

	Neutilizējiet bateriju atkritumus, elektrisko un elektronisko iekārtu atkritumus kā nešķirotus sadzīves atkritumus. Bateriju atkritumi un elektrisko un elektronisko iekārtu atkritumi ir jāsavāc atsevišķi. Bateriju atkritumi, akumulatoru atkritumi un gaismas avotu atkritumi ir jānoņem no iekārtas. Sazinieties ar vietējo iestādi vai mazumtirgotāju, lai iegūtu padomus par atbilstošo pārstrādi un savākšanas punktu. Atkarībā no vietējiem noteikumiem, mazumtirgotājiem var būt pienākums bez maksas pieņemt atpakaļ bateriju atkritumus un elektrisko un elektronisko iekārtu atkritumus. Jūsu ieguldījums bateriju atkritumu un elektrisko un elektronisko iekārtu atkritumu atkārtotā izmantošanā un atbilstošā pārstrādē palīdz samazināt pieprasījumu pēc izejvielām. Bateriju atkritumos, īpaši tajos, kas satur litiju, un elektrisko un elektronisko iekārtu atkritumos ir vērtīgi, atbilstošā pārstrādājami materiāli, kas var negatīvi ietekmēt vidi un cilvēku veselību, ja tie netiek utilizēti videi draudzīgā veidā. No iekārtu atkritumiem izdzēsiet personāla datus, ja tādi ir.
	Garantētais trokšņa jaudas līmenis 79 dB(A)
v_0	Ķēdes griešanās ātrums tukšgaitā
V	Voltāža
	Līdzstrāva
	Eiropas atbilstības zīme
	Lielbritānijas atbilstības zīme
	Ukrainas atbilstības zīme
	Eiropas atbilstības zīme

TECHNINIAI DUOMENYS	M18 FHS20
Konstrukcija	genėjimo pjūklas
Produkto numeris	4916 50 01 XXXXX MJJJJ
Keičiamo akumulatoriaus įtampa	18 V =
Grandinės apsuokos be apkrovos	4,8 m/s
Juostos ilgis maks.	8" / 200 mm
Naudotinas pjovimo ilgis	7,4" / 189 mm
Grandinės alyvos bako talpa	77 ml
Prietaiso svoris įvertintas pagal EPTA 01/2014 tyrimų metodiką 01/2014 (Li-Ion 2.0 Ah .. 12.0 Ah)	2,8 kg 3,9 kg
Rekomenduojama aplinkos temperatūra eksploatuojant	-18 ... +50 °
Rekomenduojami akumulatoriai	M18B...; M18HB...
Rekomenduojami įkrovikliai	M12-18...; M1418C6
Informacija apie keliamą triukšmą: Vertės matuotos pagal EN 62841. Įvertintas A įrenginio keliamo triukšmo lygis dažniausiai sudaro:	
Garso slėgio lygis / Paklaida K=	81 dB (A) / 3 dB (A)
Garso galios lygis / Paklaida K=	89 dB (A) / 3 dB (A)
Nešioti klausos apsaugines priemones!	
Informacija apie vibraciją: Bendroji svyravimų reikšmė (trijų krypčių vektorių suma), nustatyta remiantis EN 62841.	
Vibravimų emisijos reikšmė a _h / Paklaida K=	4,9 m/s ² / 1,5 m/s ²

⚠ DĖMESIO!

Šiame vadove nurodytos bendrosios vibracijos ir triukšmo emisijos vertės nustatytos pagal standartinius bandymo metodus pagal EN 62841, todėl gali būti taikomos lyginant vieną įrankį su kitu. Gali būti naudojama preliminariam poveikio įvertinimui.

Nurodytos bendrosios vibracijos ir triukšmo emisijos vertės atitinka įrankio taikymą. Jei įrankis naudojamas kitokiais tikslais, kartu su kitokiais priedais ar netinkamai prižiūrimas, bendrosios vibracijos ir triukšmo emisijos vertės gali skirtis. Tai gali žymiai padidinti poveikio lygį viso darbo metu.

Apskaičiuojant bendrosios vibracijos ir triukšmo emisijos vertes reikėtų atsižvelgti į laikotarpį, kai prietaisas yra išjungtas arba įjungtas, bet nėra naudojamas. Tai gali žymiai sumažinti poveikio lygį viso darbo metu.

Tam, kad naudotojas būtų apsaugotas nuo vibracijos ir (arba) triukšmo poveikio, reikia nustatyti papildomus saugos reikalavimus, pavyzdžiui: tinkamai prižiūrėti prietaisą ir jo priedus, laikyti rankas šiltai, organizuoti darbo modelius.

Nešioti klausos apsaugines priemones. Triukšmo poveikyje galima netekti klausos.

⚠ DĖMESIO! Perskaitykite visas saugos nuorodas, instrukcijas ir duomenis, kuriuos gaunate su prietaisu.

Jei nepaisysite toliau pateiktų nuorodų, gali kilti elektros smūgio, gaisro ir /arba sunkių sužalojimų pavojus.

Išsaugokite šias saugos nuorodas ir reikalavimus, kad ir atetyje galėtumėte jais pasinaudoti.

SSAUGUMO GENĖJIMO PJŪKLO SAUGOS ĮSPĖJIMAI

a) Laikykite visas kūno dalis atokiau nuo veikiančio genėjimo pjūklo. Prieš įjungdami genėjimo pjūklą, įsitinkinkite, kad jis nieko neličia. Vos akimirks nedėmesingumu dirbant genėjimo pjūklu pakanka, kad jis įtrauktų jūsų drabužius arba jus sužalotų.

b) Visada laikykite genėjimo pjūklą dešiniąja ranka paėmę už galinės rankenos, o kairiąją – už priekinės rankenos. Jei laikysite genėjimo pjūklą sukėkite rankas vietomis, padidės susižalojimo pavojus. To niekada nedarykite!

c) Laikykite genėjimo pjūklą tik už izoliuotų, suimti skirtų paviršių, nes pjūklo grandinė gali užkabinti paslėptus laidus. Pjūklo grandinei prisilietus prie laido, kuriuo teka elektros srovė, neizoliuotos metalinės genėjimo pjūklo dalys gali nutrenkti operatorių.

d) Dėvėkite akių apsaugas. Rekomenduojama papildoma klausos, galvos, rankų, kojų ir pėdų apsauga. Dėvėdami tinkamą apsauginę įrangą, sumažinsite susižalojimo skriejančiomis nuolaužomis arba dėl atsitiktinio sąlyčio su pjūklo grandine pavojų.

e) Nedirbkite genėjimo pjūklu užlipę ant medžio, kopėčių, nuo stogo ar kitos nestabilios atramos. Taip dirbant su genėjimo pjūklu galima sunkiai susižaloti.

f) Stovėkite užtikrintai ir dirbkite genėjimo pjūklu tik ant tvirto, saugaus ir lygaus pagrindo. Dirbant ant slidaus ar nestabilaus pagrindo galima prarasti pusiausvyrą arba genėjimo pjūklo kontrolę.

g) Pjaudami įtemptą šaką, atmintinkite, kad ji gali atšokti. Atleidus medienos pluošto įtempį, atšokanti šaka gali suduoti operatoriui ir (arba) galima netikėtai prarasti genėjimo pjūklo kontrolę.

h) Pjaudami krūmokšnius ir sodinukus, būkite itin atidūs. Grandininis pjūklas gali įtraukti liaunas šakas ir kamienus bei plaukštelėti jomis per jūsų kūną arba jus galite prarasti pusiausvyrą.

i) Neškite genėjimo pjūklą paėmę už priekinės rankenos. Prietaisas turi būti išjungtas ir nusuktas nuo jūsų kūno. Tinkamai tvarkant genėjimo pjūklą, sumažės atsitiktinio sąlyčio su judančia pjūklo grandine pavojus.

j) Vadovaukitės instrukcijomis, kaip tepti, įtempti grandinę ir juosta. Netinkamai įtempta arba patepta grandinė gali trūkti arba gali padidėti atatranks pavojus.

k) Pasirūpinkite, kad rankenos būtų sausos, švarios, nealyvuotos ir netepaluotos. Tepaluotos ar alyvuotos rankenos yra slidžios, galima prarasti įrenginio kontrolę.

l) Pjunkite tik medieną. Nenaudokite genėjimo pjūklo ne pagal paskirtį. Pavyzdžiui, nenaudokite genėjimo pjūklo metalui, plastikui, mūriui ir nemediniams statybinėms konstrukcijoms pjauti. Jei genėjimo pjūklą naudosite ne pagal paskirtį, gali susidaryti pavojinga situacija.

Valydami užstrigusias medžiagas, sandėliuodami genėjimo pjūklą ar atlikdami jo priežiūros darbus vadovaukitės pateikiamomis instrukcijomis. Įsitinkinkite, kad jungiklis yra išjungtas padėtyje, o akumuliatorių blokas yra išimtas. Netikėtas genėjimo pjūklo įjungimas valant užstrigusias nuopjovas ar atliekant priežiūros darbus gali būti sunkaus susižalojimo priežastimi.

Atatranks priežastys ir prevenciniai operatoriaus veiksmai jai išvengti:

Atatranka gali įvykti, kai kreipiamosios juostos priekinė dalis ar galuokas paliečia objektą arba pjaunamas medinis ruošinys užsidaro ir suspaudžia įpjovoje pjūklo grandinę.

Galiuko sąlyčio metu atskirais atvejais gali įvykti staigi atvirktinė reakcija ir kreipiamoji juosta gali būti atmetama aukštyn ir atgal link operatoriaus.

Suspaudus pjūklo grandinę išilgai kreipiamosios juostos viršutinės dalies, kreipiamoji juosta gali būti staigiai pastumta atgal link operatoriaus.

Ivykus bet kuriai iš šių reakcijų, galite prarasti grandininio pjūklo kontrolę ir rimtai susižaloti. Pernelyg nepasikiukite grandininio pjūklo įtaisytaisiais saugos įtaisais.

Naudodami genėjimo pjūklą, turite imtis iniciatyvos užtikrinti, kad pjaunant nepasitaisyti nelaimingų atsitikimų ir susižalojimų.

Atatranka – netinkamo genėjimo pjūklo naudojimo ir (arba) netinkamų darbo tvarkos ar sąlygų padarinys. Jos galima išvengti imantis tinkamų toliau nurodytų atsargumo priemonių:

a) Laikykite įrenginį tvirtai, nykščiais ir pirštais apimdami genėjimo pjūklą rankenas, kūnas ir ranka turi būti tokioje padėtyje, kad galėtumėte atsipirti atatranks jėgai. Imdamasis tinkamų atsargumo priemonių operatorius gali kontroliuoti atatranks jėgas. Nepalieskite genėjimo pjūklo.

b) Nesiekite per toli ir nepjunkite didesniame nei pečių aukštyje. Taip išvengsite nepageidaujamo galiuko sąlyčio ir galėsėte geriau kontroliuoti genėjimo pjūklą netikėtose situacijose.

c) Naudokite tik gamintojo nurodytas atsargines kreipiamąsias juostas ir grandines. Sumontavus netinkamas atsarginę kreipiamąją juosta arba grandinę, šios gali trūkti ir (arba) sukelti atatranką.

d) Vykdykite pjūklo grandinės gamintojo galandimo ir techninės priežiūros instrukcijas. Sumažinus gylio matuoklio aukštį, gali padidėti atatranka.

KITI SAUGUMO IR DARBO NURODYMAI

Pirmą kartą naudojant įrenginį rekomenduojama pjauti rąstus ant ožio ar padėklo.

Pririšimas

Pririšimas tik su energiją sugeriančiais diržais. Pritvirtinkite diržą tik prie diržo kilpos.

Nepritvirtinkite diržo prie rankenos, kreipiamosios juostos gaubto ar bet kurio kito įrankio taško.

Pasirūpinkite, kad visi apsaugai, rankenos ir buferis su smagiais būtų uždėti tinkamai ir būtų geros būklės.

Genėjimo pjūklą naudoti turi tik sveiki žmonės. Genėjimo pjūklas yra sunkus, todėl operatorius turi būti fiziškai pasirėngęs su juo dirbti.

Operatorius turi būti budrus, gerai matyti, pasizymėti mobilumu ir miklumu, sugebėti išlaikyti pusiausvyrą. Jei kyla abejonų, nedirbkite genėjimo pjūklu.

Nepradėkite dirbti genėjimo pjūklu, kol darbo vieta nebus laisva, nestovėsėte tvirtai ir neturėsėte suplanuoto pasitraukimo nuo krentančio medžio kelio. Saugokitės išskiriamų tepalo migros ir pjovimo dulkių. Jei reikia, dėvėkite kaukę arba respiratorių.

Nepjunkite vijoklinių augalų ir (arba) smulkių šakelių po krūmu.

Dirbdami visada laikykite genėjimo pjūklą abiem rankomis. Laikykite genėjimo pjūklą tvirtai, nykščiais ir pirštais apimdami genėjimo pjūklo rankenas. Dešinė ranka turi būti ant galinės rankenos, o kairė – ant priekinės rankenos.

Prieš įjungdami genėjimo pjūklą, įsitinkinkite, kad jis neličia jokio objekto.

Niek kaip nemodifikuokite genėjimo pjūklo, neprijunkite prie jo jokių gamintojo nerekomenduotų priedų ar įrenginių.

Netoli operatoriaus turi būti pirmosios pagalbos rinkinys su dideliais žaizdų tvarsčiais ir priemonės dėmesiai patraukti (pvz., švilpukas). Didesnis rinkinys su papildomomis priemonėmis turi būti pakankamai netolimoje vietoje.

Netinkamai įtempta grandinė gali atšokti nuo kreipiamosios juostos ir sunkiai ar mirtinai sužaloti. Grandinės ilgis priklauso nuo temperatūros. Dažnai tikrinkite grandinės įtempimą.

Turite pariprasti prie savo naujojo genėjimo pjūklo atlikdami paprastus pūvius ant tvirtai atremtos medienos. Atlikite tai ir tuo atveju, jei ilgą laiką nedirbate genėjimo pjūklu. Norėdami sumažinti sužalojimo riziką, susijusią su pavojumi prisilieti prie judančių dalių, visada išjunkite variklį, nuimkite akumuliatorių bloką ir įsitinkinkite, kad visos judančios dalys sustoję, pries:

- valydami įrenginį arba šalindami kamštį;
- palikdami įrenginį be priežiūros;
- sumontuodami ar nuimdami priedus;
- atlikdami įrenginio patikros, techninės priežiūros ar kitus darbus.

Darbo vietos dydis priklauso nuo atliekamo darbo pobūdžio ir medžio ar ruošinio. Pavyzdžiui, norint nuversti medį prireiks didesnės darbo vietos nei norint atlikti kitus pūvius, pavyzdžiui, pjaustymą į sortimentus ir pan. Operatorius turi žinoti apie viską, kas vyksta darbo vietoje ir kontroliuoti šiuos procesus.

Nepjunkite pjūklu, kai kūnas yra vienoje linijoje su kreipiamąja juosta ir grandine. Tokiu atveju jums patyrus atatranką grandinė negalės prisilieti prie galvos ar kūno.

Nejudinkite įrankio pirmyn ir atgal, visą darbą turi atlikti grandinė. Grandinė turi būti aštri, nemėginkite jos spausti į pjūvį.

Nespauskite pjūklo pjūvio gale. Būkite pasirėngę atlaikyti pjūklo svorį, kai pjūklas perpjauja medį. Kitaip galite sunkiai susižaloti.

Neišjunkite pjūklo per pjovimo veiksmo vidurį.

Pjūklas turi veikti, kol neatitrauktas nuo pjūvio vietos. Valdant ranka, neužfiksuokite įjungiklio/išjungiklio.

Prieš atlikdami bet kokius darbus įrenginyje, išimkite keičiamą akumuliatorių.

⚠ DĖMESIO! Siekdami išvengti trumpojo jungimo sukeliama gaisro pavojaus, sužalojimų arba produkto pažeidimų, nešikite įrankio, keičiamo akumulatoriaus arba įkroviklio į skysčius ir pasirūpinkite, kad į prietaisus arba akumuliatorius nepatektų jokių skysčių. Korozija sukeliantys arba laidūs skysčiai, pvz., sūrus vanduo, tam tikri chemikalai ir balikliai arba produktai, kurių sudėtyje yra baliklių, gali sukelti trumpąjį jungimą.

Keičiamus M18 sistemos akumuliatorius kraukite tik „M18“ sistemos įkrovikliais. Nekraukite kitų sistemų akumuliatorių.

Keičiamų akumuliatorių ir įkroviklių nelaiykite atvirai. Laikykite tik sausoje vietoje. Saugokite nuo drėgmės.

Stūmimas ir traukimas

Atoveiksmio jėga visada veikia kryptimi, priešinga grandinės judėjimo kryptiai. Todėl operatorius turi būti pasirėngęs kontroliuoti įrenginio traukimą į priekį (tolyn) pjaunant ties apatiniu juostos kraštu ir stūmimą atgal (link operatoriaus) pjaunant palei viršutinį juostos kraštą.

Pjūvyje įstrigęs pjūklas

Sustabdę genėjimo pjūklą ir pasirūpinkite, kad jis būtų laikomas saugiai. Nemėginkite išstumti pjūklo ir grandinės iš pjūvio, kadangi tokie atveju gali lūžti grandinė ir trenktis atgal į operatorių. Tokia situacija paprastai pasitaiko netinkamai atrėmus medieną, kai spaudžiamas pjūvis užsidaro ir sugnyba asmenis. Jei suregulavus atramą nepavyksta atlaisvinti juostos ir grandinės, atidarykite pjūvį naudodami medinius pleištus ar svertą ir atlaisvinkite pjūklą. Niekada nemėginkite jungti genėjimo pjūklo, kai kreipiamoji juosta yra pjūvyje arba įpjovoje.

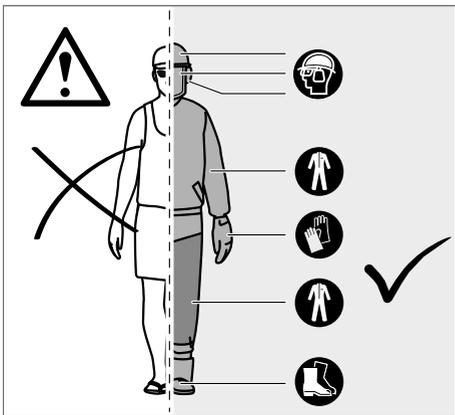
Čiuožimas / atšokimas

Kai genėjimo pjūklas pjūvio metu neįsiterpia į medieną, kreipiamoji juosta gali atšokti arba pavojingai slysti palei rąsto ar šakos paviršių, taip galima prarasti grandininio pjūklo kontrolę. Norėdami užkirsti kelią čiuožimui ar atšokimui arba bent juos sumažinti, visada laikykite pjūklą abiem rankomis, įsitinkinkite, kad išpjaunamas griovelis pjūvioviui. Grandininio pjūklu niekada nepjunkite mažų lanksčių šakelių ar krūmų. Dėl jų dydžio ir lankstumo pjūklas gali atšokti link jūsų ar įstrigti didele jėga, sukeldamas atatranką. Tokio tipo darbams geriausia naudoti rankinį pjūklą, genėjimo žirkles, kirvi ar kitokius rankinius įrankius.

Asmeninė apsauginė įranga

Dirbdami su įrenginiu visada nešioti šalmą. Šalmas su tinkiniu skydeliu sumažins veido ir galvos sužalojimo pavojų įvykus atatrankai. Nešioti klausos apsaugines priemones!

Gerose kokybės asmeninė apsauginė įranga, tokia, kaip ir naudojama profesionalų, padės sumažinti operatoriaus sužalojimo riziką. Dirbant su įrenginiu reikia naudoti toliau išvardytas priemones:



Apsauginis šalmas

turi atitikti standartą EN 397 ir būti paženklintas CE žyma

Klausos apsauga

turi atitikti standartą EN 352-1 ir būti paženklinta CE žyma

Akių ir veido apsauga

turi būti paženklinta CE žyma ir atitikti standartą EN 166

(apsauginiams akiniais) arba EN 1731 (tinklįam skydeliui)

Pirštinės

turi atitikti standartą EN 381-7 ir būti paženklintos CE žyma

Kojų apsaugos (antkeliai)

turi atitikti standartą EN 381-5, būti paženklintos CE žyma ir užtikrinti apsaugą iš visų pusių

Apsauginiai batai dirbant su genėjimo pjūkle

turi atitikti standartą EN ISO 20345:2004, būti paženklinti skydeliu, vaizduojančiu genėjimo pjūklą, tai reiškia, kad jie atitinka standartą EN 381-3. (Atsitiktiniai naudotojai gali naudoti apsauginius batus plienine nosele su apsauginiais antkurpiais, atitinkančiais standartą EN 381-9, jei pagrindas yra lygus ir yra maža užkliuvimo ar šakelių po krūmų užkliudymo tikimybė)

Striukės dirbant su genėjimo pjūkle viršutinės kūno dalies apsaugai

turi atitikti standartą EN 381-11 ir būti paženklintos CE žyma

SUSIPAŽINKITE SU SAVO GENĖJIMO PJŪKLU

1	Priekinė rankena	11	Buferis su smaigais
2	Priekinis rankos apsaugas	12	Pjūklo grandinė
3	Irenginio užraktas	13	Kreipiamoji juosta
4	Maitinimo jungiklio	14	Juostos griovelis
5	Galinė rankena	15	Grandinės pavara
6	Grandinės tepalo dangtelis	16	Varomosios žvaigždutės gaubtas
7	Grandinės alyvos bakas	17	Grandinės įtempimo varžtas
8	Galinė rankos apsauga	18	juostos tvirtinimo veržlė
9	Kombinuotasis raktas	19	Kreipiamosios juostos gaubtas
10	Akumulatorius		

⚠ DĖMESIO!

Dėl netinkamos techninės priežiūros, saugos funkcijų, uždegimo jungiklio, rankos apsaugo (priekinio ir galinio), buferio su smaigais, grandinės gaudytuvo, kreipiamosios juostos, mažos atitransko pjūklo grandinės pašalinimo arba modifikavimo saugos funkcijos gali tinkamai nefunkcionuoti, todėl didėja sunkaus sužalojimo galimybė.

Buferis su smaigais

Integruotas buferis su smaigais gali būti naudojamas kaip atramos taškas atliekant pjūvį. Pjaunant jis padeda išlaikyti genėjimo pjūklo korpuso stabilumą. Pjaudami stumkite įrenginį pirmyn, kol smaigai įsmigs į medienos kraštą, tada judinant galinę rankeną aukštyn arba žemyn pjovimo linijos kryptimi galime palengvinti fizinę pjovimo apkrovą.

Kreipiamoji juosta

Paprastai kreipiamosios juostos su mažo spindulio galiukais sukelia mažiau atitransko. Turite naudoti tik pakankamo ilgio konkrečiam darbui kreipiamąją juostą ir pritaikytą grandinę. Ilgesnės juostos didina kontrolės praradimo pjaunant riziką. Reguliariai tikrinkite grandinės įtempimą. Pjaunant mažas šakeles (mažesnes negu visas kreipiamosios juostos ilgis) tikėtina, kad grandinė gali būti išsviesta, jei įtempimas yra netinkamas.

TINKAMŲ BAZINIŲ MEDŽIŲ VERTIMŲ, GENĖJIMO AR PJAUSTYMO TECHNIKŲ INSTRUKCIJOS

Medžiūs veikiančių jėgų suvokimas

Suprasdami medieną veikiančią spaudimą ir įtempimą, galite sumažinti sugnybimų skaičių arba bent jau žinoti, kada jų galima tikėtis. Medienos įtempis reiškia, kad pjaunant šioje vietoje pluoštas yra atskiriamas, o toliau pjaunant pjūklų įpjova arba pjūvis yra linkęs atsiverti. Jei rąstas atremtas ožyje, o jo galas kabo neatremtas, viršutiniame paviršiuje dėl kabančio rąsto įtempimo pluošto susidaro įtempimas. Todėl apatinė rąsto pusė bus suspausta, pluoštas bus spaudžiamas. Jei pjūvis atliekamas šioje vietoje, pjaunant įpjova yra linkusi užsidaryti. Tada ašmenys bus sugnybti.

Medžio genėjimas

Genėjimas – tai šakų pašalinimas nuo nukirsto medžio. Genėdami palikite didesnes apatines šakas rąstui atremti. Mažesnes šakas nupjaukite vienu pjūviu. Ištemptas šakas galima pjauti nuo šakos apačios į viršų, saugant, kad grandinė neįsispainiotų.

Išlenktų medžių pjovimas

Išlenktas medis yra bet koks rąstas, šaka, kelmas su šaknimis ar sodinukas, kuris yra išlenktas dėl kito medžio ir atsilienkia, kai jį laikantis medis yra nupjaunamas arba pašalinamas.

Yra didelė tikimybė, kad nupjaunant kamieną nuo kelmo, nuverstas medžio kelmas su šaknimis gali atsokti ir išsiesti. Stebėkite išlenktus medžius – jie yra pavojingi.

⚠ DĖMESIO! Išlenkti medžiai yra pavojingi, jie gali suduoti operatoriui ir jis gali prarasti genėjimo pjūklo kontrolę. Dėl to gali būti sunkiai ar mirtinai sužalotas operatorius. Šiuos darbus turi atlikti išmokyti naudotojai.

NAUDOJIMAS PAGAL PASKIRTĮ

Belaidis genėjimo pjūklas yra skirtas naudoti tik lauke.

Saugos sumetimais genėjimo pjūklą reikia visada valdyti dviem rankomis.

Genėjimo pjūklas yra skirtas šakoms, kamienams, rąstams ir sijoms pjauti. Pjaunamos medienos skersmuo nustatomas pagal kreipiamosios juostos skersmenį. Pjūklis yra skirtas tik medienai pjauti. Jį gali naudoti tik suaugusieji, pakankamai supažindinti su pavojais ir profilaktinėmis priemonėmis / prevenciniais veiksmais, kurių reikia imtis dirbant su genėjimo pjūkle.

Nenaudokite genėjimo pjūklo jokių kitu nei anksčiau nurodytu tikslu. Šis pjūklas nėra skirtas profesionaliems miško tvarkymo darbam. Pjūklui neturi dirbti vaikai ar asmenys, nedėvintys pakankamos asmeninės apsauginės įrangos ir apsauginių drabužių.

⚠ DĖMESIO! Naudojant genėjimo pjūklą būtina laikytis saugos taisyklių. Savo pačių ir aplinkinių saugai prieš pradėdami naudoti genėjimo pjūklą turite būti perskaitę ir visškai supratę šias instrukcijas. Turite dalyvauti profesionalų organizuojamuose saugos kursuose, kuriuose kalbama apie genėjimo pjūklų naudojimą, prevencinius veiksmus, pirmosios pagalbos priemones ir techninę priežiūrą. Pasidėkite šias instrukcijas saugiai, kad galėtumėte pasinaudoti ateityje.

⚠ DĖMESIO! Genėjimo pjūklai yra potencialiai pavojingi įrankiai. Su genėjimo pjūklų naudojimu susiję nelaimingi atsitikimai dažnai baigiasi galūnių praradimu ar mirtimi. Pavojų

kelia ne tik genėjimo pjūklas. Krentančios šakos, virstantys medžiai ir riedantys rąstai gali mirtinai sužaloti. Ligų pažeista ar pūvanti mediena kelia papildomų pavojų. Turite įvertinti savo gebėjimą saugiai atlikti užduotį. Jei kyla abejonų, palikite šiuos darbus profesionaliems miško tvarkytojams.

Montavimas ir maitinimo įjungimas

KITI PAVOJAI

Net ir pagal paskirtį naudojant produktą negalima visiškai išvengti kitų pavojų. Naudojant galimos šios rizikos, todėl naudotojas turėtų atkreipti dėmesį į šiuos dalykus:

- IVibracijos sukelti sužalojimai
- Visada naudokite konkrečiam darbui pritaiktą įrankį. Naudokite specialias rankenas. Ribokite darbo laiką ir vibracijos poveikį.
- Žala klausai dėl triukšmo poveikio
- Dėvėkite klausos apsaugą ir ribokite poveikį.
- Sužalojimai, sukelti dėl sąlyčio su atvirais pjūklo grandinės dantukais
- Sužalojimai, sukelti išsviestų ruošinio dalių (medienos skiedrų, nuopjovų)
- Sužalojimai, sukelti dulkių ir dalelių
- Odos sužalojimai, sukelti sąlyčio su tepalais
- Iš pjūklo grandinės išsviestos dalys (pjovimo / įleidimo pavojus)
- Nenumatytas ir staigus kreipiamosios juostos judėjimas arba atitranska (pjovimo pavojai)

RIZIKOS MAŽINIMAS

- Žinoma, kad rankinių įrankių vibracija tam tikriems asmenims gali sukelti būklę, vadinamą Reino sindromu (angl. Raynaud's Syndrome). Simptomai gali būti pirštų dilgčiojimas, nutirpimas ir išbalimas, paprastai pasitaikantys nušalus rankas. Šių simptomų pasireiškimą gali skatinti paveldiniai veiksniai, šalčio ir drėgmės poveikis, dieta, rūkymas ir darbo įpročiai. Siekdamas sumažinti vibracijos poveikį, operatorius gali imtis toliau nurodytų priemonių:
- Šaltu oru šiltai apsirengkite. Dirbami su įtaisais mūvėkite pirštines, kad rankos ir riešai būtų šilti.
- Kiek padirbėję atlikite pratimus, padedančius pagerinti kraujotaką.
- Dažnai darykite pertraukas. Sumažinkite per dieną patiriamą vibracijos poveikio kiekį.
- Rankenos vibracijos poveikį taip pat sumažina apsauginės pirštines, kurių galima įsigyti iš profesionaliais genėjimo pjūklais prekiaujančių pardavėjų. Jos yra specialiai skirtos darbui su genėjimo pjūklais, užtikrina apsaugą ir gerą įrankio suėmimą. Šios pirštines turi atitikti standartą EN 381-7 ir būti paženklintos CE žyma.

Jei patiriate kokių nors šios būklės simptomų, nedelsdami nutraukite darbą ir kreipkitės į gydytoją.

⚠ DĖMESIO! Dėl ilgo įrankio naudojimo galimi sužalojimai, taip pat gali pablogėti sveikata. Jei įrankį reikia naudoti ilgą laiką, būtina reguliariai darykite pertraukas.

NURODYMAI DĖL LIČIO JONŲ AKUMULIATORIAUS

Ličio jonų akumulatoriaus naudojimas

Ilgesnį laiką nenaudotus keičiamus akumulatorius prieš naudojimą įkraukite.

Aukštesnė nei 50°C temperatūra mažina keičiamų akumulatorių galią. Venkite ilgesnio saulės ar šilumos šaltinių poveikio.

Įkroviklio ir keičiamo akumulatoriaus jungiamieji kontaktai visada turi būti švarūs.

Kad prietaisas nuo ilgiau veiktų, pasinaudokite juo, iki galo įkraukite akumulatorius.

Siekiant užtikrinti kuo ilgesnį baterijos tarnavimo laiką, reikėtų ją po atlikto įkrovimo iškart išimti iš įkroviklio.

Bateriją laikant ilgiau nei 30 dienų, būtina atkreipti dėmesį į šias nuorodas:

Laikykite akumulatoriaus bloką žemesnėje nei 27 °C temperatūroje ir sausoje vietoje

Baterijos įkrovimo lygis turi būti nuo 30% iki 50%.

Baterija pakartotinai turi būti įkraunama kas 6 mėnesius.

Ličio jonų akumulatoriaus apsauga nuo perkrovos

Esant akumulatoriaus perkrovai dėl pernelyg didelio srovės suvartojimo, pvz.: itin didelių apsuų, staigaus sustabdymo ar trumpojo įjungimo, elektrinis įrankis vibruoja 5 sekundes, signalinis įkrovos rodmuo pradeda mirksėti ir elektrinis įrankis automatiškai išsijungia.

Norint įrankį pakartotinai įjungti, reikia atleisti jungiklį ir vėl jį įjungti. Esant ekstremalioms apkrovoms akumulatorius per stipriai įkaista. Tokiu atveju visos įkrovos lempuės mirksi taip ilgai, kol akumulatorius atvėsta. Užgesus įkrovos rodmenims įrankiu galima naudotis toliau.

Ličio jonų akumuliatorių pervežimas

Ličio jonų akumuliatoriams taikomos įstatyminės nuostatos dėl pavojingų krovinių pervežimų.

Šiuos akumulatorius pervežti būtina laikantis vietinių, nacionalinių ir tarptautinių direktyvų ir nuostatų.

Naudotojai šiuos akumulatorius gali naudoti savo transporte be jokių kitų sąlygų.

Už komercinį ličio jonų akumuliatorių pervežimą atsako ekspedicijos įmonė pagal nuostatas dėl pavojingų krovinių pervežimo.

Pasiruošimo išsiųsti ir pervežimo darbus gali atlikti tik atitinkamai išmokyti asmenys. Visas procesas privalo būti prižiūrimas.

Pervežant akumulatorius būtina laikytis šių punktų:

Siekiant išvengti trumpųjų jungimų, įsitikinkite, kad kontaktai yra apsaugoti ir izoliuoti.

Atkreipkite dėmesį, kad akumulatorius pakuotės viduje neslidinėtų. Draudžiama pervežti pažeistus arba tekančius akumulatorius. Dėl detalesnių nurodymų kreipkitės į savo ekspedicijos įmonę.

DARBO NUORODOS

SURINKIMAS

Grandininio pjūklo ir kreipiamosios juostos surinkimas

⚠ DĖMESIO! Jei kurių nors dalių nėra arba jos apgadintos, nedirbkite su įrenginiu, kol šios dalys nebus pakeistos. Nepaisydami šio įspėjimo galite sunkiai susižaloti.

Būtinai išimkite akumuliatorių. Lietojiet aizsardžibas cimdus!

1. Naudodami pateikiamą kombinuotąjį raktą atsukite juostos tvirtinimo veržles.
2. Nuimkite grandinės gaubtą.
3. Tinkama kryptimi uždėkite grandinę ant juostos ir įsitikinkite, kad pavaros grandys juostos griovelyje yra sulyguotos.
4. Uždėkite juostą ant genėjimo pjūklo ir apsukite apie pavaros žvaigždutę.
5. Vėl uždėkite grandinės gaubtą ir juostos tvirtinimo veržles.
6. Rankomis užveržkite juostos tvirtinimo veržles. Juosta turi laisvai judėti, kad būtų galima reguliuoti grandinės įtempimą.
7. Sureguliuokite grandinės įtempimą. Žr. skyrių „Grandinės įtempimo reguliavimas“.
8. Laikykite kreipiamosios juostos galiuką ir tvirtai suveržkite juostos tvirtinimo veržles.

⚠ DĖMESIO! Pjūklo grandinė yra aštri. Atlikdami grandinės priežiūros darbus visada mūvėkite apsauginės pirštines.

Grandinės įtempimo reguliavimas

Prieš atlikdami bet kokius darbus prie genėjimo pjūklo nuimkite akumuliatorių bloką.

Norėdami padidinti grandinės įtempimą, pasukite grandinės įtempimo varžtą pagal laikrodžio rodyklę ir dažnai tikrinkite grandinės įtempimą. Norėdami sumažinti grandinės įtempimą, pasukite grandinės įtempimo varžtą prieš laikrodžio rodyklę ir dažnai tikrinkite grandinės įtempimą.

Įtempimas yra tinkamas, kai tarpas tarp grandinės pjoviklio ir juostos yra maždaug 6,8 mm. Patraukite grandinę į apatinės juostos pusės vidurį žemyn (tolyn nuo juostos), tada pamatuokite atstumą tarp juostos ir grandinės pjoviklio. Suveržkite juostos tvirtinimo veržles sukdami jas pagal laikrodžio rodyklę.

Pastaba: Nepervėrškite grandinės, dėl pernelyg didelio įtempimo įrenginys gali labai dėvėtis, gali sumažėti grandinės naudojimo trukmė ir būti apgadintas strypas. Pradėtos naudoti naujos grandinės gali išsitempti ir atsilaivinti. Per pirmąsias dvi naudojimo valandas dažnai išimkite akumuliatorių bloką ir tikrinkite grandinės įtempimą. Įprastinės eksploatacijos metu grandinės temperatūra pakyla, todėl grandinė išsitempia. Dažnai tikrinkite grandinės įtempimą ir, jei reikia, sureguliuokite. Įtempta įkaitusi grandinė vėliau, jei atvėsus, gali būti pernelyg įtempta. Įsitikinkite, kad grandinės įtempimas yra sureguliuotas tinkamai, kaip nurodyta šiose instrukcijose.

Grandinės tepimo alyvos pripylimas

⚠ DĖMESIO! Niekada nedirbkite be grandinės tepalo. Jei genėjimo pjūklas veikia be tepalo, gali būti apgadinta kreipiamoji juosta ir pjūklo grandinė. Labai svarbu dažnai tikrinti alyvos lygį matuoklyje, taip pat – prieš pradėdami naudoti genėjimo pjūklą. Pasirūpinkite, kad rezervuaras būtų daugiau nei ¼ užpildytas ir darbai visada pakaktų alyvos.

Pastaba: Genint medžius rekomenduojama naudoti augalinę grandinės tepalą. Mineralinė alyva gali kenkti medžiams. Niekada nenaudokite naudotos automobilių alyvos arba labai tirštų alyvų. Jos gali apgadinti genėjimo pjūklą. Nuvalykite paviršius apie alyvos dangtelį, kad neužterštumėte alyvos.

1. Atsukite dangtelį ir nuimkite jį nuo alyvos bako.
2. Pilkite alyvą į baką ir stebėkite alyvos lygio matuoklį.
3. Vėl uždėkite alyvos dangtelį ir prisukite jį. Nuvalykite išsipylišią alyvą.

Genėjimo pjūklo laikymas

Visada laikykite genėjimo pjūklą dešiniąja ranka paėmę už galinės rankenos, o kairiąją – už priekinės rankenos. Suimkite abi rankenas, nykščiais ir pirštais apimdami rankenas.

Genėjimo pjūklo įjungimas

Prieš pradėdami naudotis genėjimo pjūklu, pirmiausia reikia jį įdėti bateriją.

Apsauga nuo paleidimo iš naujo

Šis elektrinis įrankis yra su apsauga nuo paleidimo iš naujo.

Tai apsaugo nuo savaiminio elektrinio įrankio įsijungimo, kai akumuliatorius yra prijungtas prie įrenginio ir nuo pakartotinio įsijungimo, kai akumuliatorius buvo pašalintas.

Jei kreipiamoji juosta yra už medienos ribų, išjunkite elektrinį įrankį, tada vėl jį įjunkite, kad galėtumėte tęsti darbą.

Jei kreipiamoji juosta yra medienoje, palaukite kol pjūklas visiškai sustos. Įsitikinkite, kad jungtuvas yra išjungimo pozicijoje. Pašalinkite įrenginio bateriją ir kreipiamąją juosta iš pjūvio. Įdėkite bateriją, tada vėl įjunkite įrenginį, kad galėtumėte tęsti darbą.

TRANSPORTAVIMAS IR SANDĖLIAVIMAS

Prieš sandėliuodami užtepkite ploną alyvos sluoksnį, kad įrenginys nerūdėtų. Sandėliuodami visada ištuštinkite alyvos baką, kad iš jo netekėtų alyva.

Prieš sandėliuodami ar transportuodami įrenginį jį išjunkite, išimkite akumuliatorių ir palaukite, kol įrenginys atvės.

Nuo įrenginio pašalinkite visas pašalines medžiagas. Laikykite įrenginį vėsioje, sausoje, gerai vėdinamoje ir vaikams nepasiekiamoje vietoje. Saugokite nuo koroziją sukeliančių medžiagų, pavyzdžiui, sodo cheminių medžiagų ir sniego tirpinimo druskų. Nelaikykite lauke.

Prieš sandėliuodami įrenginį arba jį transportuodami uždėkite kreipiamosios juostos gaubtą.

Transportuodami įrenginį automobiliuose pritvirtinkite įrenginį, kad jis nejudėtų ar nenukristų ir nesužalotų žmonių arba nebūtų apgadintas.

VALYMAS

Nuvalykite dulkes ir atlauzas nuo atvirų angų. Laikykite rankeną švarią ir sausą, be alyvos ar tepalų. Valymui naudokite tik švelnų muilą ar drėgną skudurėlį, nes kai kurios valymo priemonės yra netinkamos plastikiniams ir kitoms izoliuotoms dalims. Kai kurios jų yra benzinas, terpentinas, lako skiediklis, dažų skiediklis, valikliai, kurių sudėtyje yra chloro, amoniakas ir buitiniai plovikliai, kurių

sudėtyje yra amoniako. Niekada nenaudokite degių ar lengvai įsiliepsnojančių skysčių prie įrankių.

TECHNINIS APTARNAVIMAS

⚠ DĖMESIO! Naudokite tik „Milwaukee“ priedus ir „Milwaukee“ atsargines dalis. Priešingu atveju gali pasitaikyti sužalojimų, įrenginys gali prastai veikti, gali negalioji garantija. Naudokite tik „Milwaukee“ priedus ir „Milwaukee“ atsargines dalis. Dalis, kurių keitimas neaprašytas, leidžiama keisti tik „Milwaukee“ klientų aptarnavimo skyriams (žr. garantiją/klientų aptarnavimo skyrių adresu brošiūroje).

⚠ DĖMESIO! Prižiūros darbai reikalauja didelio atidumo ir žinių, todėl juos turi atlikti tik kvalifikuoti prižiūros technikai. Rekomenduojame atgabenti įrenginį į artimiausią MILWAUKEE prižiūros centrą remontui. Atlikdami įrankio prižiūrą naudokite tik identiškas atsargines dalis.

⚠ DĖMESIO! Prieš atlikdami reguliavimo, techninės prižiūros ar valymo darbus išimkite akumuliatorių. Kitaip galite sunkiai susižaloti. Galite atlikti tik šiame vadove aprašytus reguliavimo ar remonto darbus. Dėl kitų remonto darbų kreipkitės į galiotąjį prižiūros atstovą.

Dėl netinkamos techninės prižiūros gali lūžti grandinė arba netinkamai veikti kitos saugos funkcijos, todėl didėja sunkaus sužalojimo galimybė.

Pasirūpinkite, kad genėjimo pjūklas būtų profesionaliai prižiūrimas ir saugus. • Grandinei pagalašti reikia įgūdžių. Todėl gamintojas primygtinai rekomenduoja pakeisti nusidėvėjusią ar atbukusią grandinę nauja, kurią galite įsigyti iš MILWAUKEE prižiūros atstovo. Dalių numerius rasite šio vadovo gaminio techninių duomenų lentelėje.

Vadovaukitės instrukcijomis, kaip tepti, įtempti ir reguliuoti grandinę.

Po kiekvieno naudojimo nuvalykite įrenginį švelnia sausa šluoste.

Iš akumuliatorių skyriaus pašalinkite visas skiedras, purvą ir šiukšles.

Dažnai tikrinkite visas veržles ir varžtus, kad įrenginys visada būtų saugios darbinės būklės. Visas apgadintas dalis turi tinkamai suremontuoti arba pakeisti MILWAUKEE prižiūros centro darbuotojai.

Kreipiamosios juostos ir pjūklo grandinės keitimas

Mūvėkite apsaugines pirštines.

1. Išimkite akumuliatorių
2. Nuimkite kreipiamosios juostos gaubtą
3. Naudodami pateikiamą kombinuotąjį raktą atsukite juostos tvirtinimo veržles.
4. Nuimkite grandinės gaubtą.
5. Sumažinkite pjūklo grandinės įtempimą. Žr. skyrių „Grandinės įtempimo reguliavimas“.
6. Nuimkite seną grandinę su kreipiamąja juosta
7. Tinkama kryptimi uždėkite naują grandinę ant juostos ir įsitikinkite, kad pavaros grandys juostos griovelyje yra sulygiuotos.
8. Uždėkite juosta ant genėjimo pjūklo ir apsukite apie pavaros žvaigždutę.
9. Uždėkite pavaros žvaigždutės dangtį ir prisukite juostos tvirtinimo veržlę.
10. Pirštais priveržkite juostos tvirtinimo veržlę.
11. Juosta turi laisvai judėti, kad būtų galima reguliuoti grandinės įtempimą.
12. Sureguliuokite grandinės įtempimą. Žr. skyrių „Grandinės įtempimo reguliavimas“.
13. Laikykite kreipiamosios juostos galiuką ir tvirtai suveržkite juostos tvirtinimo veržles.

⚠ DĖMESIO! Atbukusi arba netinkamai pagalašta grandinė pjaunant gali sąlygoti per didelės variklio apsakas, todėl gali būti sunkiai apgadintas variklis.

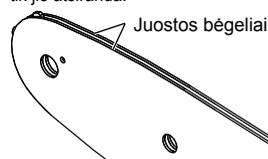
⚠ DĖMESIO! Netinkamai išgalašta grandinė didina atitranso galimybę.

⚠ DĖMESIO! Nepavykus pakeisti arba suremontuoti apgadintą grandinę galimi sunkūs sužalojimai.

⚠ DĖMESIO! Pjūklo grandinė yra aštri. Atlikdami grandinės prižiūros darbus visada mūvėkite apsaugines pirštines.

Kreipiamosios juostos prižiūra

Kai atsiranda kreipiamosios juostos nusidėvėjimo požymių, apverskite kreipiamąją juosta iš apačios į viršų ant pjūklo, kad paskirstytumėte susidėvėjimą ir būtų užtikrinta maksimali juostos eksploataavimo trukmė. Juosta reikia valyti kiekvieną naudojimo dieną ir patikrinti, ar nėra nusidėvėjimo ir pažeidimų ženklų. Juostos bėgelių pleišėjimas arba atplaišų susidarymas yra įprastas juostos nusidėvėjimo procesas. Tokie defektai turėtų būti išlyginti dilde, kai tik jie atsiranda.



Juosta su bet kurio iš šių defektų turi būti pakeista.

- Nusidėvėjimas juostos bėgelių viduje, todėl grandinė gali būti perkelta į šonus.
- Sulenkta kreipiamoji juosta.
- Įtrūkė arba sulūžę bėgeliai.
- Prasiskyrę bėgeliai.

Kas savaitę sutepkite kreipiamąsias juostas su žvaigždute. Naudodami tepalo švirškštą, kas savaitę sutepkite tepimo angą. Pasukite kreipiamąją juosta ir patikrinkite, ar tepimo angose ir juostos bėgiuose nėra nešvarumų.

Techninės prižiūros grafikas

Kasdien tikrinti

Juostos tepimą	Kiekvieną kartą prieš naudojant
Grandinės įtempimą	Kiekvieną kartą prieš naudojant ir dažnai
Grandinės aštrumą	Kiekvieną kartą prieš naudojant, Vizualinė apžiūra
Ar nėra sugadintų dalių	Kiekvieną kartą prieš naudojant
Ar nėra atsilaivinusių tvirtinimo detalių	Kiekvieną kartą prieš naudojant
Kreipiamoji juosta	Kiekvieną kartą prieš naudojant
Visą pjūklą	Kiekvieną kartą po naudojimo

Pakaitinės dalys (Juosta ir grandinė)

Gamintojas	MILWAUKEE	OREGON
Grandinė	4932 4801 76	90F033XTR
Kreipiamoji juosta	4932 4801 69	360804

Grandinė turi būti su to paties gamintojo juosta, pagal aukščiau nurodytus derinius.

Išardytų detalių vaizdas

Jei reikia, nurodant įrenginio tipą bei specifikacijų lentelėje esantį numerį, iš klientų aptarnavimo skyriaus arba tiesiai iš Techtronic Industries GmbH, Max-Eyth-Strasse 10, 71364 Winnenden, Germany, galima užsisakyti prietaiso surinkimo brėžinius.

SIMBOLIAI

	Prieš pradėdami dirbti su prietaisu, atidžiai perskaitykite jo naudojimo instrukciją.
	DĖMESIO! ĮSPĖJIMAS! PAVOJUS!
	Prieš atlikdami bet kokius darbus įrenginyje, išimkite keičiamą akumuliatorių.
	Įrenginį saugoti nuo lietaus.
	Nedirbkite viena ranka
	Genėjimo pjūklą visada laikykite abiem rankomis
	Avėkite apsauginius batus su apsauga nuo įpjovimo, gerai sukimbančiu padu ir plienine nosele!
	Lietojiet aizsardzības cimdus!
	Visada vilkėkite apsauginius drabužius ir avėkite batus.
	Nešikite apsauginį šalną. Nešioti klausos apsaugines priemones! Nešikite apsauginius akinius.
	Saugokitės genėjimo pjūklo atitranso ir nelieskite juostos galiuko
	Naudodami prietaisą, nelieskite jokių pašalinių asmenų arčiau kaip per 50 pėdų.
	Grandinės alyvos bakas
	Sukite, kad sureguliuotumėte grandinės įtempimą
	Grandinės eigos kryptis
	Priedas – neįeina į tiekimo komplektaciją, rekomenduojamas papildymas iš priedų asortimento.



Neišmeskite baterijų atliekų, elektros ir elektroninės įrangos atliekų kaip nerūšiuotų komunalinių atliekų. Baterijų ir elektros bei elektroninės įrangos atliekos turi būti surenkamos atskirai. Iš įrangos turi būti pašalintos baterijų, akumuliatorių atliekos ir šviesos šaltiniai. Patarimų dėl perdirbimo ir surinkimo vietas kreipkitės į vietinę instituciją arba pardavėją. Priklausomai nuo vietos teisės akto, mažmenininkai gali būti įpareigoti nemokamai priimti atgal senas baterijas, seną elektros ir elektronikos įrangą. Jūsų indėlis į pakartotinį baterijų ir elektros bei elektroninės įrangos atliekų panaudojimą ir perdirbimą padeda sumažinti žaliavų poreikį. Akumuliatorių, ypač kurių sudėtyje yra ličio, ir elektros bei elektroninės įrangos atliekose yra vertingų, perdirbamų medžiagų, kurios gali neigiamai paveikti aplinką ir žmonių sveikatą, jei jos nebus šalinamos aplinką tausojančiu būdu. Ištrinkite personalo duomenis iš įrangos atliekų, jei tokių yra.

	Garantuojamas garso galios lygis 79 dB(A)
v_0	Grandinės apuskos be apkrovos
v	Įtampa
	Nuolatinė srovė
	Europos atitikties ženklas
	Britanijos atitikties ženklas
	Ukrainos atitikties ženklas
	Eurazijos atitikties ženklas

TEHNILISED ANDMED	M18 FHS20
Konstruksioon	oksasaag
Tootmisnumber	4916 50 01 XXXXXX MJJJ
Vahetatava aku pinge	18 V ==
Koormusvaba keti kiirus	4,8 m/s
Saelati pikkus max	8" / 200 mm
Kasulik löikepikkus	7,4" / 189 mm
Ketiöli paagi maht	77 ml
Kaal vastavalt EPTA-protseduurile 01/2014 01/2014 (Li-Ion 2.0 Ah .. 12.0 Ah)	2,8 kg 3,9 kg
Soovituslik keskkonna temperatuur töötamiseks	-18 ... +50 °
Soovituslikud akupakid	M18B...; M18HB...
Soovituslik laadija	M12-18...; M1418C6

Müra andmed: Mõõteväärtused on kindlaks tehtud vastavalt normile EN 62841.

Seadme tüüpiline hinnanguline (müratase:

Helirõhutase / Määramatus K=

81 dB (A) / 3 dB (A)

Helivõimsuse tase / Määramatus K=

89 dB (A) / 3 dB (A)

Kandke kaitseks kõrvaklappe!

Vibratsiooni andmed: Vibratsiooni koguväärtus (kolme suuna vektorsummmõõdetud EN 62841 järgi.

Vibratsiooni emissiooni väärtus a_n / Määramatus K=

4,9 m/s² / 1,5 m/s²

⚠ TÄHELEPANU!

Sellel teabelehel toodud vibratsiooni- ja müraemissioon on mõõdetud standardis EN 62841 kirjeldatud standarditud testiga ning seda võib kasutada tööriistade omavaheliseks võrdlemiseks. Testi võib kasutada kokkupuute esialgseks hindamiseks.

Deklareeritud vibratsiooni- ja müratase puudutab tööriista põhikasutusut. Kui tööriista kasutatakse muuks otstarbeks, teistsuguste tarvikutega või tööriista hooldatakse halvasti, võivad vibratsioon ja müraemissioon erineda. See võib kokkupuudetaset kogu tööajal oluliselt suurendada.

Vibratsiooni ja müraga kokkupuute hinnangulise taseme juures tuleb arvesse võtta ka aega, kui tööriist on välja lülitatud või töötab, kuid sellega ei tehta tööd. See võib kokkupuudetaset kogu tööaja kohta oluliselt vähendada.

Tehke kindlaks täiendavad ohutusmeetmed operaatori kaitsmiseks vibratsiooni ja/või müra eest, näiteks: hooldage tööriista ja tarvikuid, hoidke käed soojas, vaadake üle töökorraldus.

Kandke kaitseks kõrvaklappe. Müra mõju võib kutsuda esile kuulmise kaotuse.

⚠ TÄHELEPANU! Lugege kõik seadmega kaasas olevad ohutusjuhised, juhendid, joonised ja andmed läbi. Järgnevalt toodud juhiste eiramise tagajärjeks võib olla elektrilöök, tulekahju ja/või raske vigastused. Hoidke kõik ohutusnõuded ja juhised edasiseks kasutamiseks hoolikalt alles.

ÜLDISE OKSASAE OHUTUSALASED MÄRKUSED

a) Hoidke kehaosad oksasaega töötamise ajal saeketist eemal. Enne oksasae käivitamist veenduge, et saekett midagi ei puuduta. Üks tähelepanematusete hetk oksasae kasutamise ajal võib kaasa tuua riiete või kehaosade takerdumise saeketti.

b) Hoidke oksasaagi alati parema käega tagumisest käepidemest ja vasaku käega eesmisest käepidemest. Oksasae hoidmisel vastupidi suurendab kehavigastuste ohtu ning seda ei tohi kunagi teha.

c) Hoidke oksasaagi ainult isoleeritud haardepindadest, sest saekett võib puutuda vastu varjatud juhtmeid. Pingestatud juhtmega kokkupuutuv saekett võib pingestada oksasae metallosad ning anda operaatorile elektrilöögi.

d) Kasutage silmade kaitset. Täiendavad kaitsevahendid kuulmise, pea, käte ja jalgade kaitseks on soovituslikud. Asjakohane kaitsevarustus vähendab lendavast prügist ja juhuslikust kokkupuutest saeketiga tekkivaid kehavigastusi.

e) Ärge kasutage oksasaagi puu otsas, redelil, katusel ega muus ebastabiilses kohas. Oksasae kasutamine sellises olukorras võib kaasa tuua raskeid kehavigastused.

f) Tagage alati piisav toetuspind ja kasutage oksasaagi ainult siis, kui seisate tugeval, stabiilsel ja tasasel pinnal. Libe ja ebastabiilne pind võib põhjustada tasakaalu kaotust ja kontrolli kaotamist oksasae üle.

g) Pinge all oleva oksa lõikamisel arvestage tagasipõrkamisega. Kui puidukiudude pinge vabaneb, võib oks vastu operaatorit paiskuda ja/või oksasae juhimataks muuta.

h) Olge võsa ja noorte puude lõikamisel äärmiselt ettevaatlik.

Peenike materjal võib saeketti kinni jääda ning vastu teid paiskuda või teid tasakaalust välja viia.

i) Kandke oksasaagi eesmisest käepidemest, nii et oksasaag on välja lülitatud ja teist eemale suunatud. Oksasae transportimisel ja hoiustamisel tuleb alati paigaldada saelati kate. Oksasae õige käsitsemise vähendab juhuslikku kokkupuudet liikuva saeketiga.

j) Järgige määrimise, keti pingutamise ning saelati ja keti vahetamise juhiseid. Valesti pingutatud või määritud kett võib puruneda või suurendada tagasilöögi ohtu.

k) Hoidke käepidemed kuiva, puhta ning õli- ja määrdevabana. Rasvased ja õlised pidemed on libedad ning võivad põhjustada kontrolli kaotamise seadme üle.

l) Lõigake ainult puitu. Ärge kasutage oksasaagi mitteotstarbekohaselt. Näiteks ärge kasutage oksasaagi metalli, plasti, telliste ega mittepuidust ehitusmaterjali lõikamiseks. Oksasae mitteotstarbekohane kasutamine võib põhjustada ohtlikke olukordi.

Kinnijäänud materjali eemaldamisel ning oksasae hoiustamisel ja hooldamisel järgige kõiki juhiseid. Jälgige, et lüliti on välja lülitatud ja aku eemaldatud. Oksasae ootamatu käivitamine kinnijäänud materjali eemaldamisel või sae hooldamisel võib kaasa tuua raskeid kehavigastused.

Tagasilöögi põhjused ja nende vältimine:

Tagasilöök võib tekkida, kui saelati nina või ots puudutab mõnd eset või kui puu pigistab saeketi lõikes kinni.

Otsakontakt võib mõnel juhul põhjustada äkilise tagasisuunalise reaktsiooni, kus saelatt paiskub üles ja tagasi kasutaja suunas.

Saeketi kokkupigistamine saelati ülaosas võib põhjustada saelati kiiret tagasipaiskumist kasutaja suunas.

Mõlemad reaktsioonid võivad kaasa tuua kontrolli kaotamise sae üle, mis omakorda võib põhjustada raskeid kehavigastusi. Ärge lootke ainult sael olevate kaitseesadiste peale.

Oksasae kasutajana peate võtme mitmeid samme, hoidmaks lõiketööd ohutuna, et ei tekiks õnnetusi ja vigastusi.

Tagasilööki tekib oksasae väärkasutamisel ja/või valedest tööprotseduuridest või -tingimustest ning seda saab vältida asjakohaste ettevaatusabinõude rakendamisel, nagu allpool kirjeldatakse.

a) Hoidke tööriistast tugevalt kinni, nii et põial ja sõrmed ümbritsevad oksasae käepidemeid, mõlemad käed on sael ning keha ja käte asend võimaldab tagasilöögiüle vastupanu avaldada. Kasutaja suudab tagasilöögiõudu kontrolli all hoida, kui ta võtab tarvitusele asjakohased ettevaatusabinõud. Ärge laske oksasael omasoodu liikuda.

b) Ärge küünitage kaugemale ega lõigake kõrgemal kui olakõrgus. See aitab vältida soovimatut kokkupuudet otsaga ning tagab ootamatutes olukordades parema kontrolli oksasae üle.

c) Kasutage üksnes tootja ette nähtud asenduslatte ja -kette. Valed asenduslatid ja ketid võivad põhjustada keti purunemist ja/või tagasilööki.

d) Järgige saeketi tootja teritus- ja hooldusjuhiseid. Sügavusmõõdiku kõrguse vähendamine võib kaasa tuua tagasilöögi suurenemise.

EDASINE OHUTUS- JA TÖÖJUHISED

Masina esmakordsel kasutamisel on soovitatav түvesid lõigata saepükil või tugiraamil.

Kinnitus

Kinnitus ainult energiat neelavate talrepite abil. Kinnitage kinnitustross ainult talrepi silmuse külge.

Ärge kinnitage nõõri käepideme, juhttraua kätte või tööriista mis tahes muu kohta külge.

Jälgige, et kõik juhidud, käepidemed ja ogadega kaitseraud oleksid õigesti paigaldatud ja heas seisukorras.

Oksasaagi kasutavate isikute tervislik seisund peab olema hea. Oksasaag on raske, mistõttu peab operaator olema heas füüsilises vormis.

Operaator peab olema valvas, hea nägemise ja liikumisvõimega, tasakaalulannetusega ja käeliselt osav. Kahtluse korral ärge kasutage oksasaagi.

Ärge alustage oksasaaga töötamist enne, kui teie tööpiirkond on korras, aluspind tugev ja langeva puu juures on olemas kavandatud taganemistee. Arvestage määrdeudu ja saetolmuga. Vajadusel kandke respiraatorit.

Ärge lõigake ronitaimi ega väikest alusmetsa.

Hoidke oksasaagi kasutamise ajal alati kahe käega. Hoidke põialde ja sõrmedega tugevalt oksasae käepidemete ümber. Parem käsi peab olema tagumisel käepidemel ja vasak käsi eesmisel käepidemel.

Enne oksasae käivitamist jälgige, et oksasaagi ei puutuks kokku ühegi objektiga.

Ärge modifitseerige oksasaagi ühelgi viisil ega kasutage seda koos tarvikute ja seadmetega, mida oksasae tootja pole soovitanud.

Operaatori läheduses peab olema esmaabikomplekt koos suurte haavasidemete ja tähelepanu äratamise vahenditega (nt vile). Mõistlik oleks hoida läheduses suuremat ja mahukamat komplekti.

Valesti pingutatud kett võib saelalt maha tulla ning raskeid või surmavaid vigastusi põhjustada. Keti pikkus sõltub temperatuurist. Kontrollige pinget sagedasti.

Harjutage uue oksasae kasutamist, tehke sellega turvaliselt kinnitatud puu sisse lihtsaid sisselõikeid. Tehke seda alati, kui te pole saagi veel kaua kasutanud. Liikuvate osadega kokkupuutumisest tuleneva vigastusohu vähendamiseks seisake enne järgmiste tööde alustamist alati mootor, eemaldage akupakk ja veenduge, et kõik liikuvad osad on seisma jäänud:

- ummistuse eemaldamine
- masina jätmise järelevalveta
- tarvikute paigaldamine või eemaldamine
- masina kontrollimine, hooldus- või muude tööde tegemine masinal

Tööpiirkonna suurus sõltub tehtavast tööst ning lõigatava puu või detaili suurusel. Näiteks puu langetamiseks on vaja suuremat tööpiirkonda kui teiste lõigete tegemine, nt järkamine jne. Operaator peab säilitama teadlikkuse ja kontrolli kogu tööpiirkonnas toimuvast.

Ärge lõigake nii, et teie keha on saelati ja ketiga samal joonel. Tagasilöögi tundmise korral saab nii paremini vältida saeketiga vastu pead või muid kehaosi pihistasamist.

Ärge kasutage edasi-tagasi saagimisliigutust, vaid laske keti töötada. Hoidke kett terav ja järgi lõikake ketti sisselõikesse.

Ärge vajutage saagi lõike lõpusas. Olge valmis kandma sae raskust, kui saag puust läbi saeb. Vastasel juhul võib tagajärjeks olla raske kehavigastus.

Ärge seisake saagi keset lõikamist.

Hoidke saagi töös, kuni selle saab lõikekohast eemaldada. Käsi juhtides käitamisel ärge kiiluge sisse-välja lülitit kinni.

Enne kõiki töid masina kallal võtke vahetatav aku välja.

TÄHELEPANU! Lühisest põhjustatud tuleohtu, vigastuste või toote kahjustuste vältimiseks ärge kastke tööriista, vahetusakut ega laadimisseadet vedelikele ning jälgige, et vedelikke ei tungiks seadmetesse ega akusse. Korrodeeruvad või elektrit juhtivad vedelikud, nagu soolivesi, teatud kemikaalid ja pleegitusained või pleegitusaineid sisaldavad tooted, võivad põhjustada lühist. Laadige süsteemi M18 vahetatavaid akusid ainult süsteemi M18 laadijatega. Ärge laadige nendega teiste süsteemide akusid.

Ärge avage vahetatavaid akusid ega laadijaid ning ladustage neid ainult kuivades ruumides. Kaitske niiskuse eest.

Vajutamine ja tõmbamine

Reaktsioonijõud on alati keti liikumise suunale vastupidine.

Seega peab operaator olema valmis hoidma kontrolli all masina eemaletõmbumiseks (edasiliikumine), kui lõigatakse lati alumise servaga, ning tagasilükkamiseks (operaatori suunas), kui lõigatakse mööda ülemist serva.

Sae kinnijäämine sisselõikesse

Seisake oksasaagi ja muutke see ohutuks. Ärge püüdke ketti ja latti sisselõikesst jõuga välja tõmmata, sest kett võib siis puruneda, tagasi paiskuda ja operaatorit tabada. See olukord tekib tavaliselt seetõttu, et puitu toetatakse ebaõigesti, mistõttu sisselõige sulgub surve alla ja pigistab saelati kokku. Kui teie reguleerimine ei vabasta saelatti ja ketti, kasutage sisselõike avamiseks ja sae vabastamiseks puidukile ja hooba. Ärge mitte kunagi proovige käivitada oksasaagi, kui saelatt on juba sisselõikes või sälgus.

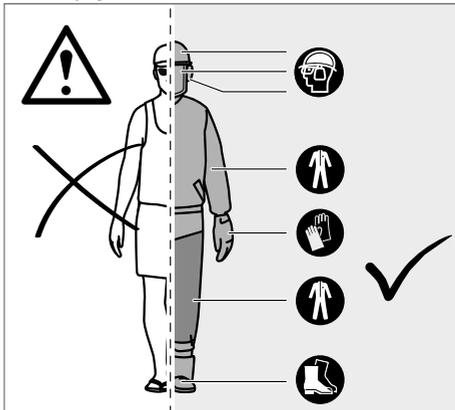
Libisemine/hüppamine

Kui oksasaagi ei haaku lõikamise ajal sisselõikesse, võib saelatt hakata hüppama või mööda tüve või oksa libisema, mis võib kaasa tuua kontrolli kaotamise kettasae üle. Libisemise ja hüppamise ennetamiseks ja vähendamiseks kasutage saagi alati mõlema käega ning veenduge, et saekett tekitab lõikesoone. Ärge mitte kunagi lõigake oksasaaga väikesi, painduvaid oksa või pöösaid. Nende suurus ja painduvus võib põhjustada sae pörkamise teie poole või siduda jõudu nii, et tekib tagasilööki. Selliste tööde jaoks on kõige parem kasutada käisasaagi, aiakääre, kirvest või muid käsitööriista.

Isikukaitsevahendid

Kandke masinaga töötamise ajal alati kiivrit. Võrkvisiiriga kiiver võib aidata vähendada tagasilöögi korral näo- ja peavigastuste ohtu. Kandke kaitseks kõrvaklappe!

Professionaalidele mõeldud kvaliteetsed kaitsevahendid vähendavad operaatori vigastuste ohtu. Masinaga töötamisel tuleks kasutada järgmisi vahendeid:



Kaitsekiiver

peab vastama standardile EN 397 ja olema CE-märgisega

Kuulmiskaitse

peab vastama standardile EN 352-1 ja olema CE-märgisega

Silmade ja näo kaitse

peab olema CE-märgisega ja vastama standardile EN 166 (kaitseprillid) või EN 1731 (võrkvisiirid)

Kindad

peab vastama standardile EN381-7 ja olema CE-märgisega

Jalgade kaitse (turvaninad)

peab vastama standardile EN 381-5, olema CE-märgisega ja pakkuma igakülgselt kaitsetpeab vastama standardile EN 381-5, olema CE-märgisega ja pakkuma igakülgselt kaitset

Oksasaekindlad turvajalatsid

peavad vastama standardile EN ISO 20345:2004 ja olema märgistatud oksasae sümboliga kooskõlas standardiga EN 381-3. (Mittesägedased kasutajad võivad kasutada terasinaga turvajalatsid, millel on standardile EN 381-9 vastavad säärekaitsmed, kui pinnas on ühtlane ja alusmetsa komistamise või takerdumise oht on väike)

Oksasaekindel jakk ülakeha kaitsmiseks

peab vastama standardile EN 381-11 ja olema CE-märgisega

TUNDKE OMA OKSASAAGI

1	Eesmine käepide	11	Ogadega kaitseraud
2	Eesmine käekaitse	12	Saekett
3	Lukust avamise seade	13	Saelatt
4	Toitelüliti	14	Saelatisoon
5	Tagumine käepide	15	Ketiajam
6	Keti määrdekork	16	Ketiratta kate
7	Ketili paak	17	Ketipingutuskruvi
8	Tagumine käekaitse	18	latikinnitusmutter
9	Kombineeritud võti	19	Saelati kate
10	Aku		

TÄHELEPANU!

Vale hoolduse ning kaitsevahendite (süütelüliti, eesmise ja tagumise kätekaitsme, saelati, vähese tagasilöögiiga saeketi) eemaldamiseks ja modifitseerimise tagajärjel ei pruugi kaitsevahendid õigesti töötada ning suurendada raskete vigastuste oht.

Ogadega kaitseraud

Integreeritud kaitseraua osadid võivad kasutada lõikamise ajal pöördelekena. See aitab hoida oksasae kere lõikamise ajal stabiilsena. Vajutage lõikamise ajal masinat ettepoole, kuni ogad tungivad puiduserva, seejärel viige tagumine käepide üles või alla lõikejoone suunas. Nii vähendate lõikamise ajal lõikamispinget.

Saelatt

Üldiselt on väikese raadiusega ostega saelattidel veidi väiksem tagasilöögioht. Kasutage töö jaoks sobiva pikkusega saelatti ja selle juurde sobivat ketti. Pikemad latid suurendavad ohtu, et saagimise ajal kaob kontroll. Kontrollige regulaarselt keti pinget. Väiksemate okste lõikamisel (lühemad kui saelati täispikkus), paiskub kett vale pinge korral suurema tõenäosusega eemale.

LANGETAMISE, LAASIMISE JA JÄRKAMISE PÕHITEHNIKA JUHISED

Puidus tekkivad jõud

Puidus tekkivate suunatud survete ja jõudude mõistmine aitab vähendada kinnijäämist või vähemalt aru saada, millal need lõikamise ajal tekitada võivad. Puidusisene pinget tekib puidukiudude laialitõmbamisel ning sellises piirkonnas lõigates kipub lõikekoht sae liikumisel avanema. Kui tüvi toetub saepükile ja tüve ots ulatub ilma toetuseta üle pukiserva, tekib üleulatava tüve raskuse tõttu ülemisel pinnal kiudude venimine. Samuti tekib surve tüve alumisel küljel, kus kiude surutakse kokku. Sellises kohas lõigates kipub

lõikekoht sulguma. Selle tõttu jääb saetera kinni.

Puu laasimine

Laasimise käigus eemaldatakse langetatult puult oksad. Laasimise ajal jätke suuremad alumised oksad alles, et need hoiaksid tüve maapinnast eemal. Eemaldage väiksemad oksad tüve lõikega. Pinge all olevaid oksa tuleks lõigata alt üles, et oksasaagi kinni ei jääks.

Pinge all olevate puude lõikamine

Pinge all olev puu on igasugune tüvi, oks, tüügus või võsu, mis on teise puu tõttu pinge all painutatud ja paiskub teise puu lõikamisel või eemaldamisel tagasi.

Langetatud puul on juurtega tüükal suur tagasi üles paiskumise oht, kui järkamisloiget tehakse tüve eraldamiseks tüüka küljest. Olge pinge all olevate puudega ettevaatlik, sest need on ohtlikud.

TÄHELEPANU! Pinge all olev puu on ohtlik ja võib tabada kasutajat, mille tagajärjel kaotab too oksasae üle kontrolli. See omakorda võib kaasa tuua rasked või surmavad vigastused. Selliseid töid tohivad teha väljaõppinud kasutajad.

KASUTAMINE VASTAVALT OTSTARBELE

Juhtmeta oksasaag on mõeldud kasutamiseks ainult välistingimustes.

Ohutuse huvides tuleb oksasaagi nõuetekohaselt käsitseta ja seda alati kahe käega hoida.

Oksasaag on mõeldud okste, kändude, tüvede ja talade lõikamiseks, mille läbimõõdu määrab saelati lõikepikkus. See on mõeldud ainult puude lõikamiseks. Saagi võivad kasutada ainult täiskasvanud, kes on saanud asjakohase väljaõppe ohtude ja ohutusabinõude kohta, mida tuleb oksasae kasutamisel tarvitusele võtta.

Ärge kasutage oksasaagi muul otstarbel kui kasutustingimustes kirjeldatu. Saagi ei tohi kasutada professionaalseks metsatöök. Oksasaagi ei tohi kasutada laosed ega isikud, kes ei kannu vajalikke isiklikke kaitsevahendeid ja riietust.

TÄHELEPANU! Oksasae kasutamisel tuleb järgida ohutuseeskirju. Teie enda ja läheduses viibijate ohutuse huvides tuleb kasutusjuhend enne oksasae kasutamist läbi lugeda ja selle sisust aru saada. Samuti tuleb osaleda professionaali poolt läbiiviidaval ohutuskoolitusel, millel käsitletakse oksasae kasutamist, ennetavaid tegevusi, esmaabi ja hooldust. Hoidke see juhend hiljemaks kasutamiseks alles.

TÄHELEPANU! Oksasaad on ohtlikud tööriistad. Oksasaagidega seotud õnnetustega kaasneb tihti peale jäsemete või üle kaotus. Mitte ainult oksasaagi ise pole ohtlik. Ka langevad oksad, ümberkukkuvad puud ja veerevad tüved võivad tappa. Haige ja pehkinud puu tekitab lisaohute. Hinnake oma võimet tööülesanne ohutult täita. Kahtluse korral tellige teenus professionaalselt arboristilt.

Paigaldamine ja ühendamine tooteallikaga

JÄÄKOHUD

Isegi toote nõuetekohase kasutamise korral pole võimalik jääkohte täielikult vältida. Kasutamisel võib esineda järgmisi riske, mistõttu peaks operaator järgnevat järgima:

- IVibratsioonikahjustused
Kasutage alati töö jaoks sobivat tööriista. Kasutage ettenähtud käepidemeid. Piirake tööaega ja kokkupuudet vibratsiooniga.
- Kuulmiskahjustused mürarikas keskkonnas viibimise
Kasutage kuulmiskaitsevahendit ja piirake kokkupuudet vibratsiooniga.
- Kokkupuutel saehammastega tekkivad vigastused
- Lõigatavast puust laialipaiskuvate osade (laastud, tükid) tõttu tekkivad vigastused
- Tolmust ja osakestest tekkivad kahjustused
- Kokkupuutest määrdeainetega tekkivad nahavigastused
- Saeketiist lahitudlevad osad (lõike-/torkevigastused)
- Saelati ettenägematu, järsk liikumine või tagasilööki (lõikevigastused)

RISKI VÄHENDAMINE

- Käsitööriistade vibratsioon võib teadaolevalt tekitada mõnel inimesel Raynaud'i sündroomi. Selle seisundi sümptomiteks on sõrmede kihelus, tuimus ja kahvatus, mis tavaliselt tekib

kokkupuutel külmaga. Selle sündroomi teket mõjutavad päriilikut tegurid, kokkupuude külma ja niiskusega, toidusedel, suitsetamine ja tööviis. Kasutaja saab võtta tarvitusele meetmeid vibratsiooni mõju vähendamiseks:

- Hoidke keha külmas ilmas soojas. Kandke seadme kasutamisel kindaid, et käsi ja randmeid soojas hoida.
- Tehke pärast iga tööperioodi harjutusi verevarustuse parandamiseks.
- Tehke töös tihti pause. Piirake päevast kokkupuudet vibratsiooniga.
- Profisaaigide edasimüüjate tootevalikus olevad kaitsekindad on mõeldud oksasae kasutamisel kaitse ja haarduvuse tagamiseks ning käepidemete vibratsiooniefekti vähendamiseks. Kindad peavad vastama standardile EN 381-7 ning olema CE-märgisega.

Kui teil tekib selle sündroomi sümptomeid, lõpetage kohe sae kasutamine ja pöörduge arsti poole.

TÄHELEPANU! Tööriista pikaajaline kasutamine võib põhjustada või süvendada tervisekahjustusi. Ükskõik millise tööriista pikaajalisel järjekohal kasutamisel tuleb teha regulaarseid pause.

LIITIUMIOONAKUDE JUHISED

Liitiumioonakude kasutus

Pikemat aega mittekasutatud akud laadige veel enne kasutamist. Temperatuur üle 50 °C vähendab vahetatava aku töövõimet. Vältige pikemat soojenemist päikese või kütteseadme mõjul. Hoidke laadija ja vahetatava aku ühenduskontaktid puhtad.

Optimaalse patareli eluaia tagamiseks, pärast kasutamist lae patareiplokk täielikult.

Akud tuleks võimalikult pika kasutuse saavutamiseks pärast täislaadimist laadijast välja võtta.

Aku ladustamisel üle 30 päeva:

Hoidke akupakki kohas, kus temperatuur on alla 27 °C, ja niiskusest eemal

Ladustage akut u 30-50% laetusseisundis.

Laadige aku iga 6 kuu tagant täis.

Liitiumioonakude ülekoormuskaitse

Aku ülekoormamisel kõrge voolutarbimisega, nt puuri blokeerumisel, lühise tekkimisel või ülikõrgetel pööretel, vibreeriv elektriõõriist 5 sekundit, laadimistuli vilgub ja tööriist lülitub automaatselt välja.

Uuesti sisse lülitamiseks tuleb päästik esmalt vabastada ning seejärel uuesti alla suruda. Ülisuurel koormusel võib aku kuumeneda kõrgete temperatuurideni. Sellisel juhul vilguvad kõik laadimistulukesed kuni aku jahtumiseni. Peale laadimistulukesete kustumist võite tööd jätkata.

Liitiumioonakude transportimine

Liitiumioonakud on allutatud ohtlike ainete transportimisega seonduvatele õigusaktidele.

Nende akude transportimine peab toimuma kohalikest, siseriiklikest ja rahvusvahelistest eeskirjadest ning määrustest kinni pidades.

Tarbijad tohivad neid akusid edasiste piiranguteta tänaval transportida.

Liitiumioonakude komertstransport ekspedeerimisettevõtete kaudu on allutatud ohtlike ainete transportimisega seonduvatele õigusaktidele. Tarne-ettevalmistusi ja transporti tohivad teostada eranditult vastavalt koolitatud isikud. Kogu protsessi tuleb asjatundlikult jälgida.

Akude transportimisel tuleb järgida järgmisi punkte:

Tehke kindlaks, et kontaktid on lühiste vältimiseks kaitstud ja isoleeritud.

Pöörake tähelepanu sellele, et akupakk ei saaks pakendis nihkuda. Kahjustatud või välja voolanud akusid ei tohi kasutada. Pöörduge edasiste juhiste saamiseks ekspedeerimisettevõtte poole.

TÖÖJUHISED

KOKKUPANEK

Saeketi ja saelati kokkupanek

TÄHELEPANU! Kui mõni masina osa on kahjustunud või puudu, ärge kasutage masinat enne, kui sellised osad on välja vahetatud. Vastasel juhul võivad tagajärjeks olla rasked kehavigastused.

Eemaldage aku. Kanda kaitsekindaid!

1. Eemaldage saelati kinnitusmutrid kaasasoleva kombineeritud võtme abil.
2. Eemaldage ketikate.
3. Pange kett õigetpidi saelatile ja veenduge, et ketilülid on latisoonega joondus.
4. Kinnitage saelatt oksasaele ja kerige kett ümber ajami ketiratta.
5. Vahetage ketikate ja latikinnitusmutrid.
6. Keerake latikinnitusmutrid käega kinni. Saelatti peab saama ketipinget reguleerimiseks vabalt liigutada.
7. Reguleerige ketipinget. Vt jaotist „Ketipinget reguleerimine“.
8. Hoidke saelati otsa üleval ja keerake latikinnitusmutrid kinni.

TÄHELEPANU! Saekett on terav. Kasutage keti hoolduse ajal alati kaitsekindaid.

Ketipinget reguleerimine

Eemaldage akupakk enne oksasae tööde tegemist.

Ketipinget suurendamiseks keerake ketipingutuskrui päripäeva ja kontrollige ketipinget tihti. Ketipinget vähendamiseks keerake ketipingutuskrui vastupäeva ja kontrollige ketipinget tihti.

Ketipinget on õige, kui ketilõikuri ja lati vahe on umbes 6,8 mm. Tõmmake ketti lati alumisel küljel allapoole (latist eemale) ning mõõtke lati ja ketilõikurite vahelise kaugus. Keerake latikinnitusmutrid vastupäeva kinni.

Märkus: Ärge pingutage ketti üle, sest liigne pinget tekitab liigset kulumist ning lühendab keti eluiga ja võib kahjustada latti. Uued ketid võivad kasutamise algul venida ja lõdveneda. Eemaldage akupakk ja kontrollige esimese kahe kasutustunni ajal tihti ketipinget. Keti temperatuur tõuseb töö ajal, põhjustades keti venimist. Kontrollige keti pinget tihti ja reguleerige seda vajadusel. Sooja keti pingeseadistus ei pruugi sobida jahtunud ketile. Jälgige, et ketipinget oleks kooskõlas selle juhendiga õigesti seadistatud.

Keti määreõli lisamine

TÄHELEPANU! Ärge kunagi töötage ilma ketimäärdega. Kui saekett liigub ilma määrdeaineta, võivad saelatt ja saekett kahjustada saada. Oluline on kontrollida tihti õlitasememõõdikult õlitaset, sama tuleb teha enne oksasae kasutamist. Hoidke mahuti rõhkem kui ¼ täis, et tagada töö jaoks vajalik õlikogus.

Märkus: Puude kärpimiseks on soovitatav kasutada taimset ketiõli. Mineraalõli võib puid kahjustada. Ärge kunagi kasutage autoõli jääke või väga viskooset õli. Need võivad oksasaagi kahjustada. Puhastage saastumise ennetamiseks õlikorgi ümbrus.

1. Keerake õlimahuti kork lahti ja eemaldage.
2. Valage õli mahutisse ja jälgige õlitaseme mõõdikut.
3. Pange õlikork tagasi peale ja keerake kinni. Pühkige mahalokk õli ära.

Oksasae hoidmine

Hoidke oksasaagi alati parema käega tagumises käepidemest ja vasaku käega eesmisest käepidemest. Hoidke mõlema pideme ümbert põidla ja sõrmedega.

Oksasae käivitamine

Enne oksasae käivitamist tuleb sellesse paigaldada akupakk.

Taaskäivituskaitse

Elektritööriista on taaskäivituskaitse.

See takistab sisselülitatud elektritööriista iseeneslikku käivitumist akupaki paigaldamisel ning taaskäivitumist pärast akupaki väljalülitusfunktsiooni.

Kui juhtlattu on puidust väljaspool, lülitage masin välja. Lülitage masin uuesti sisse alles töö jätkamiseks.

Kui juhtlattu on puidust sees, oodake, kuni saekett jääb täielikult seisma. Jälgige, et lüliti oleks välja lülitatud asendis. Eemaldage akupakk masinast ja juhtlattu lõikekohast. Pange akupakk kohale ja lülitage masin seejärel töö jätkamiseks tagasi sisse.

TRANSPORT JA HOIUSTAMINE

Keti hoiulepanekul õlitage seda alti kergelt, et vältida roostet. Tühjendage õlimahuti hoiustamise ajaks, et vältida lekkimist.

Seisake masin, eemaldage aku ja laske sellel enne ladustamist või transportimist jahtuda.

Puhastage masin võõrkehade. Hoidke masinat jahedas, kuivas ja hea ventilatsiooniga kohas, kuhu lapsed ei pääse. Hoidke masinat korrosiivsete ainete, näiteks aiakemikaalide ja teesoolade eest kaitstuna. Ärge hoidke masinat õues.

Enne ladustamist ja transportimist paigaldage saelati kate.

Sõidukites transportimiseks kinnitage masin kaitseks liikumahakkamise ja kukkumise eest, et vältida kehavigastusi ja masina kahjustamist.

PUHASTAMINE

Eemaldage avadest tolm ja mustus. Hoidke käepide puhtana, kuivana ning õli- ja määrdevabana. Kasutage puhastamiseks õrna seepi ja niisket lappi, sest teatud ained ja lahustid võivad plasti ja muid isoleeritud osi kahjustada. Sellised ained on näiteks bensiin, tärpentiin, lahjendid, kloori sisaldavad puhastuslahused, ammoniaak ja ammoniaaki sisaldavad majapidamispuhastusvahendid. Ärge kasutage tööriistade läheduses tuleohtlike ega süttivaid lahusteid.

HOOLDUS

TÄHELEPANU! Kasutage ainult Milwaukee tarvikuid ja Milwaukee tagavaraosi. Vastasel juhul võivad defektid vigastused ja halveneda töomadused, samuti võib muutuda kehtetuks garantii.

Kasutage ainult Milwaukee tarvikuid ja Milwaukee tagavaraosi. Detailid, mille väljavahetamist pole kirjeldatud, laske välja vahetada Milwaukee klienditeeninduspunkti (vaadake brošüüri garantii / klienditeeninduste aadressid).

TÄHELEPANU! Hooldus nõuab äärmist hoolikust ja teadmisi, mistõttu tohib seda teha ainult kvalifitseeritud hooldustehnik. Hoolduse tegemiseks soovime viia masina lähimasse MILWAUKEE hoolduskeskusesse remonti. Hoolduseks tohib kasutada ainult identselt varuosi.

TÄHELEPANU! Enne reguleerimist, hooldust ja puhastamist tuleb eemaldada aku. Vastasel juhul võib tagajärjeks olla raske kehavigastus. Kasutaja võib teha ainult selles juhendis kirjeldatavaid reguleerimisi ja remonditöid. Muude tööd tegemiseks pöörduge volitatud hooldustehniku poole.

Ebaõige hoolduse tagajärjel ei pruugi ketid pidur ja teised kaitseseadised õigesti töötada ning suurenedä raskete vigastuste oht.

Hoidke oksasaag professionaalselt hooldatuna ja turvalisena. * Keti ohutu teritamine nõuab oskusi. Seetõttu soovib tootja tungivald lasta kulunud või nüri keti vahetada MILWAUKEE hooldusesindaja juures müüdava uue keti vastu. Osanumbri leiate selles juhendis olevast tootekirjelduse tabelist.

Järgige juhiseid määrimise ning ketipinget kontrollimise ja reguleerimise kohta.

Pärast iga kasutamist tuleb masin pehme kuiva lapiga puhastada. Eemaldage akupakilt kõik laastud, mustus ja prüg.

Kontrollige kõiki mutreid, polte ja kruvisid sagedaste intervallide järel, et tagada masina ohutus. Kõik kahjustused tuleb korrektselt kõrvaldada parandamise või väljavahetamise teel MILWAUKEE teeninduses.

Saelati ja saeketi vahetamine

Kandke kaitsekindaid.

1. eemaldage akupakk.
2. Eemaldage juhtlatti kate
3. Eemaldage saelati kinnitusmutrid kaasasoleva kombineeritud võtme abil.

4. Eemaldage ketikate.
5. Vähendage saeketi pinget. Vt jaotist "Keti pinget reguleerimine".
6. Eemaldage vana kett koos juhtlattiga
7. Pange uus kett õigetpidi saelatile ja veenduge, et ketilülid on latisoonega joondus.
8. Kinnitage saelatt oksasaele ja kerige kett ümber ajami ketiratta.
9. Asendage ketiratta kate ja plaadi kinnitusmutter.
10. Pingutage plaadi kinnitusmutrit sõrmega.
11. Keti pinget reguleerimiseks peab plaat olema vabalt liikuv.
12. Reguleerige ketipinget. Vt jaotist „Ketipinget reguleerimine“.
13. Hoidke saelati otsa üleval ja keerake latikinnitusmutrid kinni.

TÄHELEPANU! Nüri või valesti teritatud kett võib lõikamisel mootori tööd liigselt kiirendada, mis omakorda võib kaasa tuua rasked mootorikahjustused.

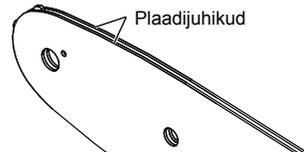
TÄHELEPANU! Keti valesti teritamine suurendab tagasilöögiohtu.

TÄHELEPANU! Kahjustunud keti vahetamine või remontimine võib põhjustada raskeid vigasusi.

TÄHELEPANU! Saekett on terav. Kasutage keti hoolduse ajal alati kaitsekindaid.

Juhtplaadi hooldamine

Kui juhtplaat näitab kulumise märke, pöörake sae juhtplaat ringi, et jaotada kulumine ühtlaselt ja tagada sae maksimaalne kasutusiga. Plaati tuleb puhastada iga kasutuspäeva järel ning kontrollida selle kulumist ja kahjustusi. Plaadijuhikute looge või hõõrdumisdefektid on plaadi kulumise normaalne protsess. Sellised defektid tuleb viiuga kõrvaldada kohe nende ilmnenisel.



Plaati, millel on mistahes alljärgnevatest defektidest, tuleb välja vahetada.

- Kulumine plaadijuhikute sees, mis võimaldab ketil liikuda küljele.
- Paindunud juhtplaat
- Pragunenud või purunenud juhikud.
- Laienenud juhikud.

Määrige iga nädal plaadite otsas olevaid ketirattaid Määrige määrdesüstla abil iga nädalal määrimisava. Keerake juhtplaati ja kontrollige, et määrdeavades ja plaadijuhikutes ei oleks mistahes saasteaineid.

Hoolduskava

Igapäevane kontroll

Lati määrimine	Enne iga kasutamist
Keti pinget	Enne iga kasutamist ja tihti
Keti teravus	Enne iga kasutamist, visuaalne kontroll
Kahjustunud osad	Enne iga kasutamist
Lahtised kinnitused	Enne iga kasutamist
Saelatt	Enne iga kasutamist
Kogu saag	Pärast iga kasutamist

Varuosad (Latt ja kett)

Tootja	MILWAUKEE	OREGON
Kett	4932 4801 76	90F033XTR
Saelatt	4932 4801 69	360804

Kett tuleb paigaldada koos sama tootja latiga, järgides eespool toodud kombinatsioone.

Plahvatusvaade

Vajaduse korral võite tellida seadme läbilõikejoonise, näidates ära masina tüübi ja andmesildil oleva numbriga. Selleks pöörduge klientiteeninduspunkti või otse: Techtronic Industries GmbH, Max-Eyth-Straße 10, 71364 Winnenden, Germany.

SÜMBOLID

	Palun lugege enne käiklaskmist kasutamishend hoolikalt läbi.
	ETTEVAATUST! TÄHELEPANU! OHUD!
	Enne kõiki töid masina kallal võtke vahetatav aku välja.
	Seadet ei tohi jätta vihma kätte.
	Ärge kasutage õhe käega
	Kasutage saagi alati kahe käega
	Kandke lõikekaitsme, haarduva talla ja terasninaga turvajalatsid!
	Kanda kaitsekindaid!
	Kandke alati kaitserietust ja tugevaid jalatsid.
	Kandke kaitsekiivrit. Kandke kaitseks kõrvaklappe! Kandke kaitseprille.
	Arvestage oksasae tagasilööki ja vältige kokkupuudet lati otsaga
	Hoidke kõrvalised isikud vähemalt 50' kaugusel.
	Ketiõli mahuti
	Pöörake ketipinget reguleerimiseks
	Keti liikumisruum
	Tarvikud - ei kuulu tarne komplekti, soovitatav täiendus on saadaval tarvikute programmis.



Ärge kõrvaldage patareide, elektri- ja elektroonikaseadmete jäätmehäädmetena. Akude, elektri- ja elektroonikaseadmete jäätmehäädmeted tuleb koguda eraldi. Akude, akumulaatorite ja valgusallikate jäätmehäädmeted tuleb seadmetest eemaldada. Küsige oma kohalikust omavalitsusest või jaemüüjal nõuandeid ringlussevõtu ja kogumispunkti kohta. Olenevalt kohalikest määrustest võib jaemüüjal lasuda kohustus võtta akude, elektri- ja elektroonikaseadmeid vastu tasuta. Teie panus akude, elektri- ja elektroonikaseadmete jäätmehäädmetehäädmetes ja ringlussevõtu aitab vähendada nõudlust toorainete järele. Akud, eriti liitiumakud ning elektri- ja elektroonikaseadmete jäätmehäädmeted, sisaldavad väärtuslikke taaskasutatavaid materjale, mis võivad kahjustada keskkonda ja inimeste tervist, kui neid ei kõrvaldata keskkonnasõbralikul viisil. Kustutage kõrvaldatavatest seadmetest isiklikud andmed, kui neid seal on.



Garanteeritud müravõimsuse tase 79 dB(A)



Koormusvaba keti kiirus



Voltaaž



Alalisvool



Euroopa vastavusmärk



Ühendkuningriigi vastavusmärk



Ukraina vastavusmärk



Euraasia vastavusmärk

ТЕХНИЧЕСКИЕ ДАННЫЕ

	M18 FHS20
Модель	пила для обрезки веток
Серийный номер изделия	4916 50 01 XXXXXX MJJJJ
Вольтаж аккумулятора	18 V \approx
Скорость цепи без нагрузки	4,8 m/s
Длина шины макс.	8" / 200 mm
Полезная длина распила	7,4" / 189 mm
Емкость масляного бака цепи	77 ml
Вес согласно процедуре EPTA 01/2014 01/2014 (Li-Ion 2.0 Ah .. 12.0 Ah)	2,8 kg 3,9 kg
Температура окружающей среды, рекомендованная для эксплуатации	-18 ... +50 °
Рекомендованные аккумуляторные блоки	M18B...; M18HB...
Рекомендованные зарядные устройства	M12-18...; M1418C6

Информация по шумам: Значения замерялись в соответствии со стандартом EN 62841. Уровень шума прибора, определенный по показателю A, обычно составляет:

Уровень звукового давления / Небезопасность K=	81 dB (A) / 3 dB (A)
Уровень звуковой мощности / Небезопасность K=	89 dB (A) / 3 dB (A)

Пользуйтесь приспособлениями для защиты слуха.

Информация по вибрации: Общие значения вибрации (векторная сумма трех направлений) определены в соответствии с EN 62841.

Значение вибрационной эмиссии a_n / Небезопасность K=	4,9 m/s ² / 1,5 m/s ²
---	---

ВНИМАНИЕ!

Заявленные значения вибрации и шумового излучения, указанные в настоящем информационном листе, были измерены согласно стандартизированному методу испытания согласно EN 62841 и могут использоваться для сравнения одного инструмента с другим. Они могут применяться для предварительной оценки воздействия на организм человека.

Указанные значения вибрации и шумового излучения действительны для основных областей применения инструмента. Однако если инструмент используется в других областях применения или с другими принадлежностями либо проходит ненадлежащее обслуживание, значения вибрации и шумового излучения могут отличаться. Это может существенно увеличить уровень воздействия на организм на протяжении общего периода работы.

При оценке уровня воздействия вибрации и шумового излучения на организм также необходимо учитывать периоды, когда инструмент выключен, или когда он работает, но фактически не используется для выполнения работы. Это может существенно сократить уровень воздействия на организм на протяжении общего периода работы.

Определите дополнительные меры для защиты оператора от воздействия вибрации и/или шума, такие как обслуживание инструмента и его принадлежностей, сохранение рук в тепле, организация графиков работы.

Используйте наушники! Воздействие шума может привести к потере слуха.

ВНИМАНИЕ! Ознакомьтесь с правилами техники безопасности, техническими регламентами, изображениями и данными, прилагаемыми к устройству. При несоблюдении нижеуказанных указаний возможно поражение электротоком, возникновение пожара и/или получение серьезных травм. Сохраняйте эти инструкции и указания для будущего использования.

ОБЩИЕ ТЕХНИКА БЕЗОПАСНОСТИ ПРИ РАБОТЕ С ПИЛОЙ ДЛЯ ОБРЕЗКИ ВЕТОК

- Не допускайте контакта каких-либо частей тела с пильной цепью во время работы пилы для обрезки веток. Перед началом работы с пилой для обрезки веток убедитесь, что пильная цепь ни к чему не прикасается. Отвлекшись даже на секунду, вы можете допустить попадание в пилу для обрезки веток элементов одежды или частей тела.
- Всегда держите пилу для обрезки веток правой рукой за заднюю рукоятку, а левой рукой — за переднюю рукоятку. Держать пилу для обрезки веток наоборот строго запрещено, так как это повышает риск получения травмы.
- Ввиду возможности соприкосновения пильной цепи со скрытой электропроводкой пилу для обрезки веток можно держать только за изолированные ручки. Вследствие контакта пильной цепи с проводом, находящимся под напряжением, пользователь может получить удар электрическим током от неизолированных металлических частей пилы.
- Надевайте средства защиты органов зрения. Также рекомендуется использовать средства защиты органов слуха, головы, кистей рук, ног и ступней. Использование надлежащего защитного оборудования снизит риск травмы от разлетающихся обрезков и от случайного контакта с пильной цепью.

е) Не работайте с пилой для обрезки веток, находясь на дереве, на приставной лестнице, на крыше или на любой нестабильной поверхности. Это может привести к серьезным травмам.

f) Обязательно обеспечьте наличие надлежащей опоры и работайте с пилой для обрезки веток только на надежной зафиксированной, устойчивой и ровной поверхности.

Сколько или нестабильные поверхности могут стать причиной потери равновесия или контроля над пилой для обрезки веток.

g) При отпиливании сильно натянутых ветвей помните о риске отпружинивания. После того как натяжение древесного волокна спадет, ветка может ударить по пользователю и/или увести пилу для обрезки веток из-под контроля.

h) Будьте особо осторожны при спиливании кустарника или молодняка. Тонкие молодые ветви могут намотаться на пильную цепь и затем отскочить в вашу сторону или лишить вас равновесия.

i) Переносите пилу для обрезки веток за переднюю рукоятку, предварительно выключив ее и не поднося близко к телу. При транспортировке и хранении пилы для обрезки веток обязательно накрывайте пильную шину крышкой. Соблюдение правил обращения с пилой для обрезки веток снизит вероятность случайного контакта с движущейся пильной цепью.

j) Следуйте инструкциям по смазыванию, натяжению цепи и замене шины и цепи. Ненадлежащим образом натянутая или смазанная цепь может либо порваться, либо повысить риск отскока.

k) Держите рукоятки сухими, чистыми и не допускайте попадания на них масла и жира. Рукоятки со следами жира и масла будут вызывать скольжение и, как следствие, — потерю контроля.

И) Изделие предназначено только для разрезания древесины. Не используйте пилу для обрезки веток в не предусмотренных для нее целях, в частности, для резки металла, пластика, камней или недревянных строительных материалов. Использование пилы для обрезки веток в не предусмотренных для нее целях может стать причиной возникновения опасной ситуации.

Соблюдайте все инструкции, касающиеся очистки пилы для обрезки веток от застрявшего материала, ее хранения и обслуживания. Предварительно убедитесь, что пила выключена, а аккумуляторная батарея извлечена. Неожиданное срабатывание пилы для обрезки веток при ее очистке от застрявшего материала или обслуживании может привести к серьезным травмам.

Причины и меры профилактики отскока, которые может принять пользователь:

Отскок может иметь место в том случае, если носок или конец пильной шины коснулся какого-либо объекта или если древесный материал сомкнулся и защемил пильную цепь в месте распила.

В некоторых случаях контакт конца пилы с каким-либо объектом может вызвать внезапную реакцию обратного действия, когда пильная шина отскакивает вверх и назад, по направлению к пользователю.

Застывание верхней кромки пильной шины может привести к внезапному выталкиванию пильной шины назад по направлению к пользователю.

В любом из этих случаев существует риск потери вами контроля над пилой и получения серьезной травмы. Мы не рекомендуем полностью полагаться на встроенные в пилу защитные устройства.

Вы как пользователь пилы для обрезки веток должны принять ряд мер по профилактике несчастных случаев или травм во время распиливания.

Неправильные и/или нецелевые способы или условия эксплуатации пилы для обрезки веток могут вызвать отскок, которого можно избежать путем принятия надлежащих мер предосторожности, описанных ниже.

а) Постоянно крепко удерживайте инструмент, обхватив рукоятку обеими руками и расположив туловище и руку таким образом, чтобы при необходимости противостоять отскоку. Если все сделано правильно, пользователь сможет противостоять отскоку. Не теряйте контроль над пилой для обрезки веток.

б) Не пытайтесь дотянуться до удаленных объектов и не производите распиливание на уровне, превышающем высоту ваших плеч. Так вы сможете избежать случайного контакта конца пилы с какими-либо объектами и сможете лучше контролировать ее в неожиданных ситуациях.

с) Для замены используйте только те направляющие и цепи, которые были рекомендованы производителем. Использование ненадлежащих сменных шин и цепей может стать причиной разрыва цепи и/или отскока.

д) При затачивании и техническом обслуживании пильной цепи следуйте инструкциям производителя. Снижение высоты ограничителя глубины может повысить риск отскока.

ДОПОЛНИТЕЛЬНЫЕ УКАЗАНИЯ ПО БЕЗОПАСНОСТИ И РАБОТЕ

Если вы пользуетесь инструментом впервые, рекомендуется производить распил лесоматериала на козлах или конике.

Привязывание

Привязывание только с помощью энергопоглощающих талрепов. Прикрепляйте трос только к петле талрепа.

Не прикрепляйте фиксатор к рукоятке, крышке направляющей планки или любой другой точке на инструменте.

Убедитесь, что все защитные щитки, рукоятки и зубчатый упор находятся на месте и готовы к эксплуатации.

Лица, использующие пилу для обрезки веток, должны быть в надлежащем состоянии здоровья. Пила для обрезки веток имеет большой вес, поэтому оператор должен быть в хорошей физической форме.

Пользователь должен быть внимательным и иметь хорошее зрение, подвижность, координацию и моторику рук. При наличии сомнений любого рода не приступайте к работе с пилой для обрезки веток.

Приступайте к работе с пилой для обрезки веток только после проведения уборки рабочего места, закрепления основания и планирования пути для отступления в случае падения дерева. Остерегайтесь паров смазки и опилок. При необходимости наденьте респиратор.

Не распиливайте живущие растения и/или подлесок.

Во время работы всегда держите пилу для обрезки веток обеими руками. Постоянно крепко удерживайте инструмент, обхватив рукоятку обеими руками. Держитесь правой рукой за заднюю рукоятку, а левой рукой — за переднюю рукоятку.

Перед началом работы с пилой для обрезки веток убедитесь, что пильная цепь ни к чему не прикасается.

Не вносите какие-либо модификации в конструкцию пилы и не используйте ее в качестве источника питания для каких бы то ни было принадлежностей или устройств, не рекомендованных производителем вашей пилы для обрезки веток.

В непосредственной близости от пользователя должна находиться аптечка первой помощи с повязкой для ран большой площади и средство для привлечения внимания (например свисток). На доступном расстоянии также должна находиться аптечка с еще большим набором спасательных средств. Неправильно натянутая цепь может соскочить с пильной шины и стать причиной серьезной травмы или гибели. Длина цепи должна зависеть от температуры. Натяжение цепи следует регулярно проверять.

Сначала необходимо освоиться с новой пилой, сделав несколько простых пробных распилов на надежно зафиксированном куске древесины. Это также нужно делать и в том случае, если вы давно не работали с пилой. Чтобы снизить риск травм, связанных с контактом с движущимися частями, всегда останавливайте двигатель, извлекайте аккумулятор и убедитесь в том, что все движущиеся части остановились, прежде чем выполнять указанные ниже действия.

- очистка или удаление застрявшего материала;
- оставление инструмента без присмотра;
- монтаж или демонтаж принадлежностей;
- проверка, техобслуживание или работа с инструментом.

Площадь рабочей области зависит от типа выполняемой работы, а также от размера дерева или куска древесины. Так, для валки дерева требуется рабочая область большей площади, чем для выполнения распилов другого типа, например раскряжевки и т.п. Пользователь должен быть внимательным и контролировать все, что происходит в рабочей области.

Не производите распилов, если ваше туловище находится на одной линии с пильной шиной и цепью. В случае отскока это поможет предотвратить контакт цепи с вашей головой или туловищем.

Производя распил, не двигайте пилой взад-вперед: позвольте цепи двигаться самой. Поддерживайте цепь в заточенном состоянии и не пытайтесь проталкивать ее через место распила.

Не давите на пилу слишком сильно в конце распила. Будьте готовы принять на себя вес пилы по завершении распила. Несоблюдение этих правил может привести к серьезному ранению.

Не останавливайте пилу в середине распила.

Продолжайте работу пилой, пока она не выйдет из распила. Не фиксируйте выключатель в положении "On" (Вкл.) когда работаете держа пилу в руках.

Вывньте аккумулятор из машины перед проведением с ней каких-либо манипуляций.

ВНИМАНИЕ! Для предотвращения опасности пожара в результате короткого замыкания, травм и повреждение изделия не опускайте инструмент, сменный аккумулятор или зарядное устройство в жидкости и не допускайте попадания жидкостей внутрь устройств или аккумуляторов. Коррозионные и проводящие жидкости, такие как соленый раствор, определенные химикаты, отбеливающие средства или содержащие их продукты, могут привести к короткому замыканию.

Для зарядки аккумуляторов модели M18 используйте только зарядным устройством M18. Не заряжайте аккумуляторы других систем.

Никогда не вскрывайте аккумуляторы или зарядные устройства и храните их только в сухих помещениях. Следите, чтобы они всегда были сухими.

Толкайте и тяните

Сила противодействия всегда направлена противоположно направлению движения цепи. Поэтому пользователь должен быть постоянно готов к удержанию инструмента, если его поведет в сторону (движение вперед) во время распила по нижнему краю шины, и если его поведет назад (к пользователю) во время распила по верхнему краю шины.

Застывание пилы в месте распила

Остановите пилу для обрезки веток и обезопасьте ее. Не пытайтесь выдернуть цепь и шину из места распила, так как в результате цепь может разорваться, отскочить назад и ударить пользователя. Так обычно происходит, если для дерева выбрана ненадлежащая опора, и поэтому во время распила место распила под давлением закрывается, захватывая острие пилы. Если цепь и шину невозможно извлечь даже после корректировки опоры, воспользуйтесь деревянным клином или уровнем, чтобы раскрыть место распила и извлечь пилу. Ни в коем случае не пытайтесь завести пилу для обрезки веток, если ее пильная шина уже находится в месте распила или в направляющей вставке.

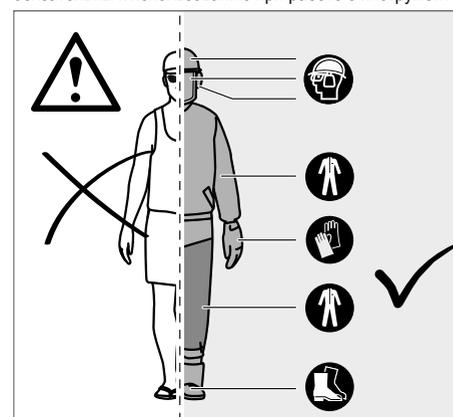
Соскальзывание / отскокивание

Если во время распила пила для обрезки веток не может погрузиться в кусок древесины, пильная шина может начать подпрыгивать или скользить на поверхности куска древесины или ветки, что может привести к потере контроля над цепной пилой. Во избежание или для минимизации соскальзывания или отскокивания обязательно держите пилу обеими руками и убедитесь в том, что пильная цепь проделала в древесине бороздку в месте будущего распила. Ни в коем случае не распиливайте своей цепной пилой мелкие гибкие ветки или кустарники. Из-за их малого размера и гибкости пила может срикошетить в вашу сторону или совершить отскок в результате холостого вращения. Эти работы лучше всего выполнять ручной пилой, секатором, топором или другим ручным инструментом.

Средства индивидуальной защиты

При работе с этим инструментом на вас всегда должен быть защитный шлем. Шлем с сетчатым козырьком позволит снизить риск травмирования лица и головы в случае отскока пилы. Пользуйтесь приспособлениями для защиты слуха.

Высококачественные средства индивидуальной защиты для профессионального пользования помогут снизить риск травмирования пользователя. Перечисленные ниже средства обязательны к использованию при работе с инструментом.



Защитный шлем

должен соответствовать стандарту EN 397 и иметь маркировку CE

Средства защиты органов слуха

должны соответствовать стандарту EN 352-1 и иметь маркировку CE

Средства защиты органов зрения и лица

должны иметь маркировку CE и соответствовать стандарту EN 166 (для защитных очков) или EN 1731 (для сетчатых козырьков)

Перчатки

должны соответствовать стандарту EN381-7 и иметь маркировку CE

Средства защиты ног (гамашы)

должны соответствовать стандарту EN 381-5, иметь маркировку CE и защищать ноги со всех сторон должны соответствовать стандарту EN 381-5, иметь маркировку CE и защищать ноги со всех сторон

Защитная обувь для работы с пилой для обрезки веток

Она должна соответствовать стандарту EN ISO 20345:2004 и иметь табличку с изображением пилы для обрезки веток, что подтверждает соответствие стандарту EN 381-3. (Если вы пользуетесь пилой нечасто, то можете надевать защитную обувь со стальными носками и защитные краги, соответствующие стандарту EN 381-9, если поверхность земли ровная и существует лишь небольшой риск падения или захвата подлеска)

Куртки для работы с пилой для обрезки веток, защищающие верхнюю часть туловища,

должны соответствовать стандарту EN 381-11 и иметь маркировку CE

КОМПОНЕНТЫ ВАШЕЙ ПИЛЫ ДЛЯ ОБРЕЗКИ ВЕТОК

1	Передняя рукоятка	11	Зубчатый упор
2	Передняя защита руки	12	Пильная цепь
3	Замковое устройство	13	Пильная шина
4	Выключатель питания	14	Паз шины
5	Задняя рукоятка	15	Направляющая цепи
6	Крышка бака смазки цепи	16	Крышка приводного колеса
7	Бак масла для смазывания цепи	17	Натяжной винт цепи
8	Задний щиток для защиты рук	18	крепежная гайка направляющей
9	Комбинированный ключ	19	Чехол пильной шины
10	Аккумулятор		

ВНИМАНИЕ!

Ненадлежащее обслуживание, удаление или модификация защитных устройств, таких как выключатель зажигания, щиток для защиты рук (спереди и сзади), зубчатый упор, ограничитель цепи, направляющая планка, цепь пилы с низким обратным ударом, могут привести к ненадлежащему функционированию этих защитных устройств, что увеличивает вероятность серьезного ранения.

Зубчатый упор

Для поворотов во время распила можно использовать зубья упора. Это поможет сохранить устойчивое положение корпуса пилы для обрезки веток. Во время распила проталкивайте инструмент вперед до тех пор, пока зубья не погрузятся в поверхность древесины, а затем, двигая задней рукояткой вверх или вниз в направлении линии распила, вы снизите возникающее в процессе физическое напряжение.

Пильная шина

Пильные шины с зубцами лезвия небольшого радиуса, как правило, связаны с менее высоким риском отскока. Вам необходимо использовать пильную шину и соответствующую ей цепь, длина которой в точности соответствует цепи выполняемых работ. Использование пильных шин большей длины повышает риск потери контроля над процессом распила.

Регулярно проверяйте натяжение цепи. При спиливании мелких ветвей (длина которых меньше полной длины пильной шины) вероятность соскакивания цепи при ее неправильном натяжении будет выше.

ОСНОВНЫЕ ПРАВИЛА ВАЛКИ ДЕРЕВЬЕВ, ОБРЕЗКИ СУЧЬЕВ И РАСКРЯЖЕВКИ

Характер поведения древесины

Понимая характер направленного давления и напряжения внутри древесины, вы сможете уменьшить количество случаев застревания или хотя бы будете к ним готовы в процесс распила. Натяжение внутри древесины означает, что древесные волокна растягиваются, и при распиле в этом месте «надрез» или пропилил будет иметь тенденцию к раскряживанию по мере углубления пилы. Если кусок лесоматериала находится на козлах, а его конец свисает без опоры, то натяжение будет создано на верхней поверхности ввиду воздействия веса свисающего куска на растягивающиеся волокна. Аналогичным образом нижняя сторона куска лесоматериала будет находиться в состоянии сдавливания, и ее волокна будут прижаты друг к другу. Если сделать распил в этом месте, то надрез будет иметь тенденцию к закрыванию по мере углубления пилы. В результате лезвие застрянет.

Обрезка сучьев

Со спиленного дерева необходимо обрезать сучья, оставив при этом крупные нижние сучья необрезанными, для того чтобы они поддерживали ствол дерева с земли. Небольшие сучья удаляйте за один раз. Сильно натянутые сучья нужно срезать по направлению снизу вверх: это предотвратит застревание пилы для обрезки веток.

Обрезка пружинящей молодой поросли

Пружинящая молодая поросль — это любые деревья, ветви, пни с ростками и побеги, согнутые под давлением других деревьев и отпружинивающие при спиливании или удалении этих деревьев.

При выполнении валки деревьев высоким пружинящим потенциалом обладает молодая поросль, произрастающая на пнях, которая может спружинить в вертикальное положение во время раскряжевки, производимой для отделения ствола от пня. Остерегайтесь пружинящей молодой поросли: она опасна.

ВНИМАНИЕ! Пружинящая молодая поросль опасна, так как может ударить пользователя и вызвать потерю пользователем контроля над пилой для обрезки веток. В результате пользователь может получить серьезную или смертельную траву. Такие работы должны выполняться специально обученными пользователями.

ИСПОЛЬЗОВАНИЕ

Беспроводная пила для обрезки веток предназначена только для использования вне помещений.

Из соображений безопасности пилу для обрезки веток необходимо надлежащим образом контролировать, держа ее только двумя руками.

Пила для обрезки веток предназначена для разрезания веток, стволов деревьев, пиломатериала и бруса диаметром, определенным полезной длиной пильной шины. Пила для обрезки веток предназначена только для работы с древесиной. Ею могут пользоваться только совершеннолетние лица, надлежащим образом проинструктированные о рисках, связанных с использованием пилы для обрезки веток, и о мерах действиях по их предотвращению.

Не используйте пилу для обрезки веток в целях, не перечисленных в условиях эксплуатации. Пила для обрезки веток не предназначена для профессиональной работы с деревьями. Пила для обрезки веток не предназначена для использования детьми или лицами без надлежащих средств индивидуальной защиты и защитной одежды.

ВНИМАНИЕ! При эксплуатации пилы для обрезки веток необходимо следовать правилам безопасности. Для вашей собственной безопасности и для защиты окружающих вы должны прочесть и полностью уяснить для себя эти инструкции, прежде чем приступить к работе с пилой для обрезки веток. Вы должны пройти профессиональные курсы по технике безопасности, мерам

профилактики, оказанию первой помощи и проведению техобслуживания пил для обрезки веток. Пожалуйста, сохраните эти инструкции для дальнейшего использования.

ВНИМАНИЕ! Пилы для обрезки веток являются потенциально опасными инструментами. Несчастные случаи, связанные с использованием пил для обрезки веток, часто приводят к потере конечности или смерти. При этом опасность представляет не только сама пила для обрезки веток. Падающие ветви, падающие деревья и скатывающиеся стволы могут стать причиной гибели человека. Еще одним источником опасности является пораженная или гнилая древесина. Вам необходимо оценить свою способность выполнить работу с соблюдением требований безопасности. При наличии любых сомнений лучше поручите работу квалифицированному специалисту по валке деревьев.

Сборка и подключение к источнику питания

ОСТАТОЧНЫЕ ОПАСНОСТИ

Даже при надлежащем использовании изделия невозможно полностью исключить остаточные опасности. При использовании могут возникнуть указанные ниже риски, поэтому пользователь должен соблюдать следующие пункты:

- Травмы, вызванные вибрацией
Всегда выбирайте подходящий для данного вида работ инструмент. Держите его за специально предназначенные рукоятки. Не превышайте допустимое время работы и не нарушайте иных условий эксплуатации.
- Повреждения органов слуха, вызванные шумовыми воздействиями
Пользуйтесь средствами защиты органов слуха и ограничьте время нахождения в условиях шумовых воздействий.
- Травмы, вызванные контактом с незащищенным зубцом пильной цепи
- Травмы, вызванные разлетающимися кусками обрабатываемой древесины (стружка, щепа)
- Травмы, вызванные пылью и другими частицами
- Поражения кожи, вызванные контактом со смазочными веществами
- Травмы, вызванные отлетающими частями пильной цепи (порезы/проколы)
- Травмы, вызванные неожиданными резкими движениями или отскоками пильной шины (порезы)⁴

СНИЖЕНИЕ РИСКА

- Согласно исследованиям, испускаемые ручными инструментами вибрации, в некоторых случаях могут вызывать заболевание, называемое синдромом Рейно. К его симптомам можно отнести покалывание, онемение и побледнение пальцев рук, особенно заметные на холоде. Развитию заболевания способствуют наследственные факторы, низкие температуры и сырость, особенности питания, курение и определенные условия работы. Перечисленные ниже меры могут способствовать снижению воздействия вибрации.
- В холодную погоду одевайтесь теплее. Работая на установке, надевайте перчатки, чтобы кисти рук и запястья оставались в тепле.
- Каждый раз во время перерывов разминайтесь, чтобы улучшить циркуляцию крови.
- Делайте частые перерывы в работе. Ограничьте работу с инструментом во времени.
- У официальных дилеров пил для обрезки веток можно приобрести защитные перчатки, специально предназначенные для работы с пилами для обрезки веток, которые защищают пользователя, обеспечивают надежный захват инструмента и снижают воздействие вибрации рукояткой. Эти перчатки должны соответствовать стандарту EN 381-7 и иметь маркировку CE.

Если вы наблюдаете у себя любой из симптомов этого заболевания, немедленно прекратите использование пилы и обратитесь к врачу.

-

ВНИМАНИЕ! Травмы также могут быть вызваны или усугублены использованием инструмента в течение чрезмерно продолжительного времени. Если вы используете какой-либо инструмент слишком долго, делайте регулярные перерывы.

УКАЗАНИЯ ДЛЯ ЛИТИЙ-ИОННЫХ АККУМУЛЯТОРОВ

Использование литий-ионных аккумуляторов

Перед использованием аккумулятора, которым не пользовались некоторое время, его необходимо зарядить.

Температура свыше 50°C снижает работоспособность аккумулятора. Избегайте продолжительного нагрева или прямого солнечного света (риск перегрева).

Контакты зарядного устройства и аккумуляторов должны содержаться в чистоте.

Для обеспечения оптимального срока службы аккумулятора необходимо полностью заряжать после использования прибора.

Для достижения максимально возможного срока службы аккумуляторы после зарядки следует вынимать из зарядного устройства.

При хранении аккумулятора более 30 дней:

Храните аккумуляторную батарею при температуре ниже 27°C, вдали от источников влажности

Храните аккумулятор с зарядом примерно 30% - 50%.

Каждые 6 месяцев аккумулятор следует заряжать.

Защита литий-ионных аккумуляторов от перегрузки

В случае перегрузки аккумулятора по причине слишком большого потребления электроэнергии, при экстремально большом крутящем моменте, внезапной остановке или коротком замыкании, электроприбор вибрирует в течение 5 секунд, загорается индикатор заряда аккумулятора и электроприбор автоматически выключается. ть работу.

Для повторного включения следует отжать кнопку включения и потом снова включить. При слишком высоких нагрузках аккумулятор перегревается. В этом случае загорается все лампы индикатора заряда аккумулятора. Когда аккумулятор остынет и лампы погаснут – можно продолж

Транспортировка литий-ионных аккумуляторов

Литий-ионные аккумуляторы в соответствии с предписаниями закона транспортируются как опасные грузы.

Транспортировка этих аккумуляторов должна осуществляться с соблюдением местных, национальных и международных предписаний и положений.

Эти аккумуляторы могут перевозиться по улице потребителем без дальнейших обязательств.

При коммерческой транспортировке литий-ионных аккумуляторов экспедиторскими компаниями действуют положения, касающиеся транспортировки опасных грузов. Подготовка к отправке и транспортировка должны производиться исключительно специально обученными лицами. Весь процесс должен находиться под контролем специалиста.

При транспортировке аккумуляторов необходимо соблюдать следующие пункты:

Убедитесь, что контакты защищены и изолированы во избежание короткого замыкания.

Следите за тем, чтобы аккумуляторный блок не соскочил изнутри упаковки. Транспортировка поврежденных или протекающих аккумуляторов запрещена. За дополнительными указаниями обратитесь к своему экспедитору.

УКАЗАНИЯ ПО РАБОТЕ

СБОРКА

Сборка пильной цепи и пильной шины

ВНИМАНИЕ! В случае повреждения или отсутствия каких-либо деталей не используйте инструмент до тех пор, пока эти детали не будут заменены. Игнорирование такого повреждения или отсутствия может привести к серьезным травмам.

Обязательно извлеките аккумулятор. Надевать защитные перчатки!

1. Удалите крепежные гайки шины при помощи прилагаемого комбинированного ключа.
2. Удалите крышку цепи.
3. Положите цепь на шину в нужном направлении и убедитесь, что приводные звенья ровно лежат в пазах шины.
4. Прикрепите шину к пиле для обрезки веток и оберните цепь вокруг ведущей звездочки.
5. Верните на место крышку цепи и крепежные гайки шины.
6. Затяните крепежные гайки шины от руки. Шина должна свободно двигаться для регулировки натяжения цепи.
7. Отрегулируйте натяжение цепи. См. раздел «Регулировка натяжения цепи».
8. Направив конец пильной шины вверх, крепко затяните крепежные гайки шины.

ВНИМАНИЕ! Пильная цепь является острой. Перед обслуживанием цепи обязательно надевайте защитные перчатки.

Регулировка натяжения цепи

Перед началом любых работ с пилой для обрезки веток извлеките аккумулятор.

Для увеличения натяжения цепи поворачивайте винт регулировки натяжения цепи по часовой стрелке, постоянно контролируя натяжение. Для уменьшения натяжения цепи поворачивайте винт регулировки натяжения цепи против часовой стрелки, постоянно контролируя натяжение.

Натяжение цепи отрегулировано верно, если зазор между режущим звеном цепи и шиной составляет примерно 6,8 мм. Натяните цепь по центру нижней стороны шины по направлению вниз (в сторону, противоположную шине) и измерьте расстояние между шиной и режущими звеньями цепи. Затяните крепежные гайки шины против часовой стрелки.

Примечание: Натягивая цепь, не прилагайте излишних усилий: слишком сильное натяжение приведет к чрезмерному износу, сократит срок службы цепи и может повредить шину. Новые цепи во время первого использования могут растягиваться и провисать. В течение первых двух часов работы регулярно извлекайте аккумулятор и проверяйте натяжение цепи. В стандартных условиях работы температура цепи увеличивается, вследствие чего цепь растягивается. Регулярно проверяйте и при необходимости корректируйте натяжение цепи. Натяжение цепи, нормальное в теплых условиях, после охлаждения может стать слишком сильным. Убедитесь, что натяжение цепи отрегулировано правильно, как указано в этой инструкции.

Заливка смазочного материала цепи

ВНИМАНИЕ! Ни в коем случае не приступайте к работе в отсутствие смазочного материала цепи. Если пильная цепь будет работать без смазки, то это может привести к повреждению пильной шины и пильной цепи. Перед началом работ с пилой для обрезки веток необходимо проверить уровень смазочного материала на указателе и далее делать это регулярно. Для обеспечения достаточного количества масла во время работы следите за тем, чтобы уровень масла в баке превышал ¼ его емкости.

Примечание: При обрезке ветвей рекомендуется смазывать цепь маслом растительного происхождения. Минеральное масло может повредить деревья. Ни в коем случае не используйте отходы машинного масла или слишком вязкое масло. Это может привести к повреждению пилы для обрезки веток. Во избежание загрязнения произведите очистку поверхности вокруг крышки масляного бака.

- Открутите и снимите крышку масляного бака.
- Налейте масло в масляный бак, следя за указателем уровня масла.
- Верните крышку на место и крепко закрутите ее. Если масло пролилось, вытрите его.

Как следует держать пилу для обрезки веток

Держитесь правой рукой за заднюю рукоятку, а левой рукой — за переднюю рукоятку. Постоянно крепко удерживайте инструмент, обхватив рукоятки обеими руками.

Запуск пилы для обрезки веток

Перед включением пилы для обрезки веток в нее необходимо установить аккумуляторную батарею.

Защита от повторного запуска

Электроприводной инструмент поставляется с защитой от повторного запуска.

Это предотвратит самопроизвольный запуск включенного электроприводного инструмента при подключении аккумуляторной батареи и повторный запуск после срабатывания функции отключения аккумулятора.

Если направляющая не находится внутри древесины, для продолжения работы выключите инструмент и включите его заново.

Если направляющая находится внутри древесины, дождитесь полной остановки цепи пилы. Убедитесь в том, что выключатель находится в положении выключения. Извлеките аккумулятор из инструмента, а направляющую — из места распила. Вставьте аккумулятор и вновь включите инструмент для продолжения работы.

ТРАНСПОРТИРОВКА И ХРАНЕНИЕ

Отправляя инструмент на хранение, обязательно слегка смажьте цепь во избежание появления ржавчины. Отправляя инструмент на хранение, обязательно опорожните масляный бак для предотвращения утечки.

Перед хранением или транспортировкой выключите инструмент, извлеките аккумулятор и дайте ему остыть.

Освободите инструмент от всех посторонних материалов. Храните инструмент в прохладном, сухом и хорошо проветриваемом месте, не доступном для детей. Не допускайте контакта инструмента с коррозирующими агентами, такими как садовые химикаты и антиобледенительные соли. Не храните инструмент вне помещения.

Перед хранением или транспортировкой инструмента накройте пильную шину чехлом.

Если планируется перевозить инструмент в автомобиле, закрепите его от перемещения или падения, чтобы предотвратить травмы людей и повреждение инструмента.

СТИРКА

Очищайте отверстия от пыли и грязи. Ручка должна быть чистой и сухой, без масла или смазки. Для очищения используйте только мягкий мыльный раствор и мягкую ткань, поскольку некоторые чистящие средства и растворители могут повредить пластиковые и другие изолированные детали. Среди прочего, к ним относятся бензин, скипидар, растворитель для лака, растворитель для краски, хлорсодержащие чистящие средства, аммиак и бытовые чистящие средства, содержащие аммиак. Ни в коем случае не используйте воспламеняющиеся или взрывоопасные растворители вблизи инструментов.

ОБСЛУЖИВАНИЕ

ВНИМАНИЕ! Пользуйтесь аксессуарами и запасными частями Milwaukee. Несоблюдение этого правила может привести к травмам, ненадлежащему функционированию инструмента и аннулированию гарантии.

Пользуйтесь аксессуарами и запасными частями Milwaukee. В случае возникновения необходимости в замене, которая не была описана, обращайтесь в один из сервисных центров по обслуживанию электроинструментов Milwaukee (см. список сервисных организаций).

ВНИМАНИЕ! Техническое обслуживание инструмента требует особой осторожности и наличия специализированных знаний, поэтому должно проводиться только квалифицированным техником. Мы рекомендуем направлять инструмент для проведения ремонта на ближайшую станцию обслуживания MILWAUKEE. При обслуживании используйте только оригинальные запасные части.

ВНИМАНИЕ! Перед регулировкой, техобслуживанием или очисткой инструмента извлеките из него аккумулятор. Несоблюдение этого правила может привести к получению серьезной травмы. Допускается выполнять только те виды регулировки или ремонта, которые описаны в данном руководстве. Для проведения других видов ремонта обратитесь к представителю авторизованной сервисной службы.

Последствия неправильного обслуживания могут нарушить функционирование тормоза цепи и других защитных устройств, повысив таким образом риск серьезных травм.

Обслуживайте свою пилу для обрезки веток только у специалистов и обращайтесь с ней осторожно. • Заточка цепи с соблюдением техники безопасности требует привлечения специалиста. Поэтому в случае износа или затупления цепи производитель настоятельно рекомендует заменять ее на новую, обратившись к представителю авторизованной сервисной службы MILWAUKEE. Номера частей указаны в таблице технических характеристик, содержащейся в этом руководстве.

Следуйте инструкциям по смазыванию, а также по проверке и регулировке натяжения цепи.

Каждый раз после использования протирайте инструмент мягкой сухой тканью.

Удаляйте из аккумуляторного отсека все опилки, загрязнения и мусор.

Регулярно проверяйте надежность крепления всех гаек, болтов и винтов, чтобы убедиться, что инструмент находится в рабочем состоянии. Все поврежденные детали нужно надлежащим образом отремонтировать или заменить на станции обслуживания MILWAUKEE.

Замена пильной шины и пильной цепи

Наденьте защитные перчатки.

- Извлеките аккумуляторную батарею
- Снимите крышку направляющей
- Удалите крепежные гайки шины при помощи прилагаемого комбинированного ключа.
- Удалите крышку цепи.
- Уменьшите натяжение пильной цепи. См. раздел «Регулировка натяжения цепи».
- Извлеките прежнюю цепь с направляющей
- Положите новую цепь на шину в нужном направлении и убедитесь, что приводные звенья ровно лежат в пазе шины.
- Прикрепите шину к пиле для обрезки веток и оберните цепь вокруг ведущей звездочки.
- Установите на место крышку ведущей звездочки и гайку крепления шины.
- Вручную затяните пальцами гайку крепления шины.
- Для регулировки натяжения цепи шина должна свободно перемещаться.
- Отрегулируйте натяжение цепи. См. раздел «Регулировка натяжения цепи».
- Направив конец пильной шины вверх, крепко затяните крепежные гайки шины.

ВНИМАНИЕ! По причине затупленной или неправильно заточенной цепи двигатель может развить слишком высокую скорость и в конечном счете сильно повредиться.

ВНИМАНИЕ! Неправильно заточенная цепь повышает риск отскока.

ВНИМАНИЕ! Если поврежденная цепь не будет заменена или отремонтирована, это может стать причиной серьезной травмы.

ВНИМАНИЕ! Пильная цепь является острой. Перед обслуживанием цепи обязательно надевайте защитные перчатки.

Обслуживание направляющей шины

Когда на направляющей шине появляются признаки износа, переверните направляющую шину на полотно пилы, чтобы распределить износ для ее максимального срока службы. Шину следует чистить каждый день во время использования пилы и проверять на предмет износа и повреждений. Образование заусенцев в пазах шины является нормальным процессом износа. Такие дефекты следует сглаживать с помощью напильника сразу же после их появления.



Шину с любым из следующих дефектов следует заменить.

- Износ внутри пазов шины, из-за которого цепь перекашивается.
- Согнутая направляющая шина.
- Треснувшие или разбитые пазы.
- Раздвинутые пазы.

Еженедельно смазывайте направляющие шины со звездочкой на конце. Используя шприц для смазки, еженедельно смазывайте отверстие для смазки. Поверните направляющую шину и убедитесь, что отверстия для смазки и направляющие шины не загрязнены.

График проведения техобслуживания

Ежедневные проверки

Смазывание шины	Перед каждым использованием
Натяжение цепи	Перед каждым использованием и далее регулярно
Заточка цепи	Перед каждым использованием, визуальная проверка
Для поврежденных деталей	Перед каждым использованием
Для плохо закрепленных крепежных деталей	Перед каждым использованием
Пильная шина	Перед каждым использованием
Вся пила	После каждого использования

Запасные детали (Шина и цепь)

Производитель	MILWAUKEE	OREGON
Цепь	4932 4801 76	90F033XTR
Пильная шина	4932 4801 69	360804

Цепь и шина должны быть от одного производителя согласно указанным выше комбинациям.

Изображение в разобранном виде

При необходимости может быть заказан чертеж инструмента с трехмерным изображением деталей. Пожалуйста, укажите номер и тип инструмента и закажите чертеж у Ваших местных агентов или непосредственно у Techtronic Industries GmbH, Max-Eyth-Strasse 10, 71364 Winnenden, Germany.

СИМВОЛЫ

	Пожалуйста, внимательно прочтите инструкцию по использованию перед началом любых операций с инструментом.
	ВНИМАНИЕ! ПРЕДУПРЕЖДЕНИЕ! ОПАСНОСТИ!
	Выньте аккумулятор из машины перед проведением с ней каких-либо манипуляций.
	Не подвергайте машину воздействию дождя.
	Инструментом нельзя пользоваться одной рукой
	Работая с пилой для обрезки веток, всегда держите ее двумя руками
	Наденьте обувь с защитой от порезов, с нескользящей пяткой и стальным носком!
	Надевать защитные перчатки!
	Всегда носите защитную одежду и прочную обувь.
	Наденьте защитный шлем. Пользуйтесь приспособлениями для защиты слуха. Носите защитные очки.
	Остерегайтесь отдачи обрезной пилы и избегайте контакта с концом планки.
	Во время использования соблюдайте расстояние до окружающих людей не менее 50 футов.
	Резервуар с маслом для смазывания цепи
	Поворачивайте для регулировки натяжения цепи
	Направление движения цепи
	Принадлежности - В стандартную комплектацию не входит, поставляется в качестве дополнительной принадлежности.



Не выбрасывайте отработавшие батареи, электрическое и электронное оборудование вместе с неотсортированными бытовыми отходами. Отработавшие батареи, а также электрическое и электронное оборудование должны быть утилизированы отдельно. Отработавшие батареи, аккумуляторы и источники света необходимо предварительно извлечь из оборудования. За дополнительной информацией по утилизации и сбору обратитесь в местные муниципальные органы или в розничный магазин. Нормативные требования в некоторых регионах могут обязывать розничные магазины бесплатно утилизировать отработавшее электрическое и электронное оборудование, а также отработавшие батареи. Повторное использование и переработка отработавших батарей, а также старого электронного и электрического оборудования позволяет снизить потребность в сырьевых ресурсах. Отработавшие батареи содержат среди прочего литий, а электронное и электрическое оборудование — ценные перерабатываемые материалы. Однако при ненадлежащей утилизации данные компоненты могут нанести вред окружающей среде и здоровью человека. Удалите конфиденциальную информацию с оборудования при ее наличии.



Гарантированный уровень звуковой мощности 79 dB(A)



Скорость цепи без нагрузки



Напряжение



Постоянный ток



Европейский знак соответствия



Британский знак соответствия



Украинский знак соответствия



Евразийский знак соответствия



Евразийский знак соответствия

ТЕХНИЧЕСКИ ДАННИ

M18 FHS20

Тип	градински трион
Производствен номер	4916 50 01 XXXXXX MJJJJ
Напрежение на акумулатора	18 V \equiv
Ненатоварена скорост на веригата	4,8 m/s
Дължина на шината макс.	8" / 200 mm
Полезна дължина на рязане	7,4" / 189 mm
Вместимост на масления резервоар	77 ml
Тегло съгласно процедурата EPTA 01/2014 01/2014 (Li-Ion 2.0 Ah .. 12.0 Ah)	2,8 kg 3,9 kg
Препоръчителна температура на околната среда при експлоатация	-18 ... +50 °
Препоръчителни акумулаторни батерии	M18B...; M18HB...
Препоръчителни зарядни устройства	M12-18...; M1418C6

Информация за шума: Измерените стойности са получени съобразно EN 62841. Оцененото с А ниво на шума на уреда е съответно:

Равнище на звуковото налягане / Несигурност K=	81 dB (A) / 3 dB (A)
Равнище на мощността на звука / Несигурност K=	89 dB (A) / 3 dB (A)

Да се носи предпазно средство за слуха!

Информация за вибрациите: Общите стойности на вибрациите (векторна сума на три посоки) са определени в съответствие с EN 62841.

Стойност на емисии на вибрациите a_h / Несигурност K=	4,9 m/s ² / 1,5 m/s ²
---	---

ВНИМАНИЕ!

Посочените в настоящия информационен лист нива на вибрации и шумови емисии са измерени в съответствие със стандартизирано изпитване, предоставено в EN 62841, и могат да се използват за сравняване на един инструмент с друг. Те може също така да се използват и за предварителна оценка на излагането на вредни въздействия.

Декларираните нива на вибрации и шумови емисии се отнасят за основните приложения на инструмента. Ако обаче инструментът се използва за други приложения, с други приспособления или не се поддържа добре, нивата на вибрации и шумови емисии могат да са различни. Това може значително да повиши нивото на излагане на вредни въздействия за общата продължителност на работата.

При оценка на нивото на излагане на въздействието на вибрации и шум следва също така да се вземе предвид времето, през което инструментът е изключен или през което е включен, но не се използва. Това може значително да понижи нивото на излагане на вредни въздействия за общата продължителност на работата.

Определете допълнителни мерки за безопасност за защита на оператора от въздействието на вибрациите и/или шума, като например поддръжка на инструмента и приспособленията, поддържането на топлината на ръцете и организацията на работата.

Носете средство за защита на слуха. Въздействието на шума може да предизвика загуба на слуха.

ВНИМАНИЕ!

Прочетете всички указания за безопасност, инструкции, изображения и техническите данни, които получавате с уреда. Ако не спазвате следните указания, това може да доведе до токов удар, пожар и/или тежки наранявания.

Запазете всички указания и инструкции за безопасност за бъдещето.

ОБЩИ ИНСТРУКЦИИ ЗА БЕЗОПАСНОСТ ПРИ РАБОТА С ГРАДИНСКИЯ ТРИОН

- Дръжте всички части на тялото си далече от веригата на градинския трион, докато той работи. Преди да стартирате градинския трион, се уверете, че той не е в досег с нищо. Миг невнимание при работа с градинския трион може да доведе до заплитане на дрехите или закачане на част от тялото във веригата на триона.
- Винаги хващайте градинския трион с дясната си ръка за задната ръкохватка и с лявата си ръка за предната ръкохватка. Хващането на градинския трион обратно увеличава риска от нараняване и затова следва да се избягва.
- Дръжте градинския трион единствено за изолираните повърхности за хващане, защото е възможно при рязане да закачите скрити проводници. При влизане в досег с проводник под напрежение по неизолираните части на триона може да протече ток, който да причини електрически удар на оператора.
- Носете защитни очила. Препоръчително е носенето и на допълнителни защитни средства за ушите, главата, ръцете, краката и стъпалата. Подходящите средства за безопасност ще намалят риска от нараняване от хвърчащи отломки или при случаен досег с веригата на триона.
- Не използвайте градинския трион, докато сте се качили на дърво, стълба, покрив или стоите върху нестабилна

опора. Използването на градинския трион при такива условия може да доведе до сериозни наранявания.

- Винаги стъпвайте здраво и работете с триона само когато сте застанали върху неподвижна, здрава и равна повърхност. Хлъзгавите и нестабилни повърхности могат да доведат до загуба на равновесие или на контрол над градинския трион.
- Когато режете клон под напрежение, внимавайте при отскачането му, когато го прережете. Когато напрежението на клона се освободи, клонът под напрежение може да Ви удари и/или да Ви накара да загубите контрол над градинския трион.
- Бъдете изключително внимателни, когато режете храсти и фиданки. Верижният трион може да се оплете в клонка и да отскочи към Вас или да Ви извади от равновесие.
- Пренасяйте градинския трион, след като го изключите и като го държите за предната ръкохватка, далече от тялото си. Когато транспортирате или съхранявате градинския трион, винаги поставяйте защитния кожух на водещата шина. Правилното боравене с градинския трион ще намали вероятността от случаен досег с движещата се верига на триона.
- Следвайте инструкциите за смазване, натягане на веригата и подмяна на шината и веригата. Недобре обтегнатата или смазана верига може да се скъса или да увеличи вероятността от откат.
- Пазете дръжките сухи, чисти и незацапани с масло или грес. Омазнените дръжки са хлъзгави и могат да доведат до загуба на контрол.
- Режете единствено дърва. Не използвайте градинския трион не по предназначение. Например не използвайте градинския трион за рязане на метал, пластмаса, зидария или други строителни материали, различни от дърво.

Използването на градинския трион за различни от указаните дейности може да доведе до опасност.

Следвайте всички инструкции, когато почиствате заседнал материал, когато съхранявате или обслужвате градинския трион. Проверявайте дали уредът е изключен и батерията му е извадена. Неочакването включване на градинския трион, докато почиствате заседнал материал или докато го обслужвате, може да доведе до сериозни наранявания.

Причини за откат и начини за предотвратяването му:

Откат може да се получи, когато главата на водещата шина се допре до дървото или когато то се затвори и приклепчи веригата в прореза.

При допир на върха на веригата може да възникне внезапна обратна реакция, при която водещата шина да отскочи нагоре и назад към оператора.

Приклепването на веригата към главата на водещата шина може да причини рязко изтласкване на шината назад към оператора.

Всяка от тези реакции може да Ви накара да изгубите контрол над триона, което да доведе до сериозни наранявания. Не разчитайте единствено на устройствата за безопасност, вградени в триона.

Като ползвател на градинския трион трябва да предприемете някои стъпки за свеждане до минимум на вероятността за инцидент или нараняване по време на рязане.

Откатът е следствие от погрешното използване на градинския трион и/или неправилни процедури или условия на работа. Той може да бъде избегнат, като се спазват следните уместни предпазни мерки:

а) Дръжте здраво инструмента, като сключите палците и пръстите и на двете си ръце около дръжката на триона и позиционирайте тялото и ръцете си така, че да можете да противостоите на отката. Операторът може да контролира силите на откат, ако е взел подходящи предпазни мерки. Не пускайте градинския трион.

б) Не се пресягайте твърде много и не режете над височината на раменете си. Това помага за предотвратяване на нежелан досег с главата на шината и улеснява управлението на триона в непредвидени ситуации.

в) Използвайте единствено посочените от производителя резервни направляващи пръти и вериги. Различни от тях водещи шини или вериги могат да причинят скъсване на веригата и/или откат.

д) Следвайте указанията на производителя за заточване и поддръжка на веригата на триона. Намалването на дълбочината на ограничителите на подаването („чистачите“) може да причини по-голям откат.

ДОПЪЛНИТЕЛНИ УКАЗАНИЯ ЗА РАБОТА И БЕЗОПАСНОСТ

Когато ползвате уреда за пръв път, е препоръчително да режете трулите, като ги поставяте върху магаре за рязане на дърва или върху опора.

Връзване

Връзването става само с поглъщащи енергия въжета. Прикрепете ремька само към примката на въжето.

Не прикрепяйте кашиката към ръкохватката, капачка на направляващия прът или друга точка на инструмента.

Проверете дали всички предпазители, дръжки и зъбчатата опора са поставени правилно и са в добро състояние.

Използващите градинския трион лица трябва да бъдат в добро здраве. Градинският трион е тежък, затова операторът му трябва да е физически здрав.

Операторът трябва да е нащрек, да има добро зрение, подвижност, равновесие и да бъде сърчен. При каквито и да било съмнения, не работете с градинския трион.

Не започвайте да използвате градинския трион, преди да сте разчистили работната площ, преди да сте подсигурили здрава повърхност за стъпване, както и преди да имате план за бързо отдалечаване от падащото дърво. Пазете се от изхвърляните от триона смазка и дървени стърготини. Ако е необходимо, носете маска или респиратор.

Не режете лози и/или ниска растителност.

По време на работа винаги дръжте градинския трион с двете си ръце. Склучвайте здраво палците и пръстите си около дръжките на триона. Дясната Ви ръка трябва да държи задната ръкохватка, а лявата — предната.

Преди да стартирате градинския трион, се уверете, че той не е в досег с нищо.

Не правете никакви изменения по градинския трион и не го използвайте за захранване на приспособления или уреди, които не са разрешени от производителя.

Близко до оператора трябва да има комплект за първа помощ, съдържащ превръзки за големи рани и средство за привличане на вниманието (напр. свирка). В близост трябва да се намира и по-голям и по-добре оборудван комплект.

Неправилно натегната верига може да излезе от направляващата шина и да причини тежко нараняване или смърт. Дължината на веригата зависи от температурата. Редовно проверявайте натягането на веригата.

Запознайте с Вашия нов градински трион, като направите няколко обикновени прореза в безопасно закрепено дърво. Правете това винаги, когато не сте използвали градинския трион продължително време. За да не намали риска от нараняване при досег с движещите се части, винаги спирайте мотора, изваждайте батерията и проверявайте дали всички движещи се части са спрели да се движат, преди да:

- почиствате уреда или отстранявате задръстване,
- оставяте машината без надзор,
- поставяте или сваляте приспособления,
- проверявате машината или извършвате дейности по нейната поддръжка.

Размерът на работната зона зависи от работата, която ще се върши, както и от размера на дървото или материала, който ще се реже. Отсичането на дърво например изисква по-голяма работна зона от рязането на друг материал, например срезове за разтрупане и др. Операторът трябва да е наясно с всичко, което се случва в работната зона и да може да го контролира.

Не режете, като заставате успоредно на водещата шина и на веригата. По този начин, ако се получи откат, ще можете да избегнете досега на веригата с Вашата глава или тяло.

Не движете триона напред — назад, оставете веригата сама да свърши работата. Дръжте веригата наточена и не се опитвайте да я натискате, за да влезе през прореза.

Не натискайте триона в края на прореза. Бъдете в готовност да поемете тежестта на триона, когато пререже дървото и се освободи. Неспазването на тези правила може да доведе до сериозно нараняване.

Не изключвайте триона по средата на рязането.

Дръжте го включен, докато не го извадите от прореза. Не запъвайте пусковия бутон при работа на ръчен контрол.

Преди започване на каквито и да е работи по машината извадете акумулатора!

ВНИМАНИЕ! За да избегнете опасността от пожар, предизвикана от късо съединение, както и нараняванията и повредите на продукта, не потапяйте инструмента, сменяемата акумулаторна батерия или зарядното устройство в течности и се погрижете в уредите и акумулаторните батерии да не попадат течности. Течностите, предизвикващи корозия или провеждащи електричество, като солена вода, определени химикали, изелващи вещества или продукти, съдържащи изелващи вещества, могат да предизвикат късо съединение.

Акумулатори от системата M18 да се зареждат само със зарядни устройства от системата M18 laden. Да не се зареждат акумулатори от други системи.

Не отваряйте акумулатори и зарядни устройства и ги съхранявайте само в сухи помещения. Пазете ги от влага.

Оттласкване и придръпване

Реактивната сила е винаги обратна по посока на посоката на движение на веригата. Затова операторът трябва да бъде в готовност да управлява стремежа на машината да се придръпа напред, когато режете с долния край на шината, и да се изтласка назад (към оператора), когато режете с горния край.

Заклещване на веригата в прореза

Изключете градинския трион и го обезопасете. Не се опитвайте със сила да извадите веригата и шината от прореза, тъй като има вероятност веригата да се скъса, да се изметне назад и да Ви удари. Тази ситуация обикновено възниква, когато дървото не е закрепено правилно, а това кара прореза да се затвори под натиска и да прищипе веригата. Ако след регулиране на опората веригата и шината не се освободят, използвайте дървени клинове или лост, за да разтворите прореза и да освободите триона. Никога не се опитвайте да включвате градинския трион, когато водещата шина се намира вътре в прорез или разрез.

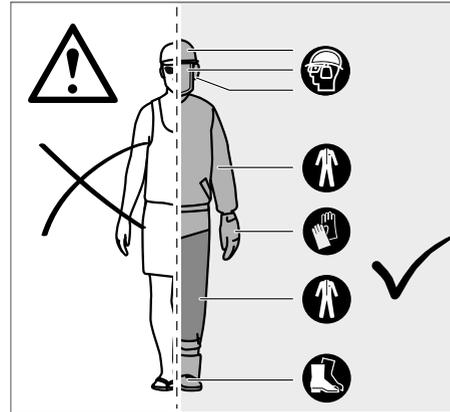
Приплъзване/отскачане

Ако трионът не успее да се вреже, водещата шина може да започне да подкача или да се приплъзва по повърхността на тропата или клона, което е опасно и може да доведе до загуба на контрол над верижния трион. За да предотвратите или намалите приплъзването или отскачането, винаги дръжте триона с две ръце, за да сте сигурни, че той ще успее да направи прорез, в който да се вреже. Никога не режете малки, огъващи се клонови или храсти с верижния трион. Техният размер и гъвкавост може лесно да накара триона да отскочи към Вас или да се заключи с достатъчна сила, че да се получи откат. Най-подходящите за такава задача инструменти са ръчният трион, овощарските ножници и други ръчни инструменти.

Лична защитна екипировка

Носете каска през цялото време на работа с машината. Каска, която има визьор с мрежа, може да спомогне за намаляване на риска от нараняване на лицето и главата, ако се получи откат. Да се носи предпазно средство за слуха!

Качествената лична защитна екипировка, когато се използва по професионален начин, ще намали риска от нараняване на оператора. Когато работите с машината, трябва да използвате следните:



Защитна каска

Трябва да отговаря на стандарта EN 397 и да има CE маркировка.

Средство за защита на слуха

Трябва да отговаря на стандарта EN 352-1 и да има CE маркировка.

Средство за защита на очите и лицето

Трябва да има CE маркировка и да отговаря на стандартите EN 166 (за защитни очила) или EN 1731 (за визьори с мрежа).

Ръкавици

Трябва да отговарят на стандарта EN381-7 и да имат CE маркировка.

Средство за защита на краката (кожени панталони)

Трябва да отговаря на стандарта EN 381-5 и да има CE маркировка. Трябва да отговаря на стандарта EN 381-5 и да има CE маркировка.

Защитни ботуши при работа с градински трион

Трябва да отговарят на стандарта EN ISO 20345:2004 и да имат маркировка под формата на щит с верижни трион, с който се обозначава съответствие със стандарта EN 381-3. (Лица, които не работят редовно с градински трион, могат да използват защитни ботуши със стоманено бомбе и защитни гети, които отговарят на стандарта EN 381-9, ако повърхността е равна и съществува малък риск от прегъване или заплитане на краката в шубраците.)

Яке за работа с градински трион за защита на горната част на тялото

Трябва да отговаря на стандарта EN 381-11 и да има CE маркировка.

ЗАПОЗНАЙТЕ СЕ С ВАШИЯ ГРАДИНСКИ ТРИОН

1	Предна ръкохватка	11	Зъбна опора
2	Предпазител на предната ръка	12	Режеща верига
3	Заклучващо устройство	13	Водеща шина
4	Ключ за стартиране	14	Канал на шината
5	Задна ръкохватка	15	Задвижка на веригата
6	Капачка на масления резервоар на веригата	16	Капак на задвижващото колело
7	Маслен резервоар за веригата	17	Винт за натягане на веригата
8	Заден предпазител на ръката	18	Гайка за монтаж на направляващия прът
9	Звездогаечен ключ	19	Защитен кожух на водещата шина
10	Акумулаторна батерия		

ВНИМАНИЕ!

Следствие на неправилна поддръжка, премахване или видоизменение на обезопасяващите компоненти, ключа за запалване, предпазителя за ръката (предния и задния), бронята с шипове, ограничителя на веригата, направляващия прът, нискооткатната верига на триона може да се стигне до неправилно функциониране на обезопасяващите компоненти и така да се повиши вероятността от сериозно нараняване.

Зъбна опора

Вградената зъбна опора може да се използва като точка на въртене при напрана на прорез. По време на рязане е препоръчително да дръжите корпуса на триона стабилно. При рязане натискайте машината напред, докато металните щифтове проникнат в края на дървесината, ако след това повдигнете задната ръкохватка нагоре или надолу по посоката на прореза, физическото натоварване на триона може да намалее.

Водеща шина

По принцип водещите шини с глава с малък радиус имат по-нисък потенциал за откат. Трябва да използвате водеща шина и съответстваща ѝ верига с достатъчна за работата дължина. По-дългите шини увеличават риска от загуба на контрол по време на рязане. Редовно проверявайте дали веригата е натегната. Когато режете малки клонови (по-къси от общата дължина на водещата шина), има по-голяма вероятност веригата да отскочи, ако не е добре обтегната.

УКАЗАНИЯ ОТНОСНО ПРАВИЛНИТЕ НАЧИНИ ЗА СЕЧЕНЕ, ОЧИСТВАНЕ НА КЛОНИТЕ И НАПРЕЧНО РАЗРЪЗВАНЕ

Разбиране на силите, действащи вътре в дървото

Когато разбирате насоченото налягане и напрежения вътре в дървото, можете да намалите „прищипванията“ или поне да предвидите кога по време на рязане могат да възникнат. Напрежение вътре в дървото означава, че влакната се обтягат и ако режете в тази област, прорезът или разрезът ще прояви склонност към разтваряне, когато трионът мине през него. Ако гредата е поставена на магаре и краят ѝ виси без опора, на

повърхността се създава напрежение от тежестта на висящата част, която обтяга влакната. По същия начин, долната страна на гредата ще бъде подложена на натиск и влакната ще се свиват. Ако бъде направен разрез в тази област, прорезът ще прояви склонност към затваряне. Това ще доведе до прищипване на режещата част.

Кастрене на дърво

Кастренето представлява отстраняване на клоните от отсечено дърво. При кастренето оставете по-големите клони долу като опори, за да държите дървото над земята. Премахнете по-малките клони с един прорез. Клоните, които са под напрежение, трябва да се режат отдолу нагоре, за да се избегне заклещване на градинския трион.

Рязане на напорна дървесина

Напорна дървесина е ствол, клон, вкоренен пън или издънка, който/която се огъва под напрежение от друга дървесина и отскача при отрязване или отстраняване на другата дървесина.

При отсечено дърво е твърде вероятно вкорененият пън да се върне в изправено положение, ако при разтурването стволът се отрязва от него. Внимавайте за напорна дървесина, тъй като това е много опасно.

ВНИМАНИЕ! Стволовете и клоните под напрежение са опасни, защото могат да ударят оператора и да го накарат да изгуби контрол над градинския трион. Това може да доведе до тежки или смъртоносни наранявания на оператора. Рязането им трябва да се извършва от опитни професионалисти.

ИЗПОЛЗВАНЕ ПО ПРЕДНАЗНАЧЕНИЕ

Безжичният градински трион е предназначен единствено за ползване на открито.

С оглед на безопасността градинският трион трябва да бъде управляван по адекватен начин с две ръце през цялото време.

Градинският трион е предназначен за рязането на клони, стволове, дънери и греди с диаметър, който се определя от дължината на водещата шина. Градинският трион е предназначен за рязане единствено на дърво. Той следва да се използва единствено от пълнолетни лица, които са преминали подходящо обучение относно опасностите и предпазните мерки/действия, които следва да се предприемат по време на използването му.

Не използвайте градинския трион за други цели, освен посочените по-горе. Той не бива да се използва за работни действия, свързани с професионалната поддръжка на дървета. Градинският трион не бива да се използва от деца или лица, които не носят необходимите лични предпазни средства и облекло.

ВНИМАНИЕ! При използването на тази машина следва да се спазват правилата за безопасност. За Вашата собствена безопасност и тази на странични лица прочетете настоящите указания, преди да използвате градинския трион. Трябва да посетите професионално организиран курс по безопасно ползване, превантивни мерки, оказване на първа помощ и поддръжка на градинския трион. Моля, съхранявайте указанията за бъдещи справки.

ВНИМАНИЕ! Градинският трион представлява един потенциално опасен инструмент. Инцидентите, свързани с използването на градински триони, често завършват със загуба на крайник/крайници или със смърт. Опасността не произтича единствено от градинския трион. Падащите клони и дървета, както и гърклящите се стволове, също могат да причинят смърт. От изсъхналите или гниещи дървета произтича допълнителна опасност. Трябва внимателно да прецените дали притежавате необходимите за успешно изпълняване на задачите умения. Ако имате съмнения, изстъвете я на професионален арборист.

Сглобяване и свързване със захранването

ОСТАТЪЧНИ РИСКОВЕ

Дори и при правилна употреба на продукта не всички остатъчни рискове могат да бъдат напълно избегнати. Следните рискове могат да възникнат при употребата, поради което работещият с уреда трябва да спазва следното:

- Наранявания, причинени от вибрации. Винаги използвайте подходящия за съответната задача инструмент. Използвайте предназначения за целта дръжки. Ограничавайте продължителността на работата и излагането на рискове.
- Увреждане на слуха поради излагане на шум. Носете средство за защита на слуха (антифони) и ограничавайте излагането на шум.
- Наранявания, причинени от досег с откритите режещи зъби на веригата.
- Наранявания, причинени от хвърчащи парчета от дървото, което режете (трески, отломки).
- Наранявания, причинени от прах и дребни частици.
- Кожни наранявания, причинени от досег със смазка.
- Изхвърлени от режещата верига частици (опасност от порязване/забиване).
- Непредвидени, резки движения или откат на водещата шина (опасност от порязване).

НАМАЛЯВАНЕ НА РИСКА

- Съществуват доклади, че вибрациите от ръчните инструменти могат да допринесат за развиването у някои хора на състоянието, наречено синдром на Рейно. Симптомите могат да включват изтръпване, схвачане и побеляване на пръстите, обикновено видимо при излагане на студ. Смята се, че за развитието на тези симптоми могат да допринесат наследствени фактори, излагането на студ и влага, диетите, тютюнопушенето и трудовата дейност. За да се опитате да намалите въздействието на вибрациите, можете да предприемете следните мерки:
- Обличайте се с топли дрехи в студено време. Когато работите с машината, носете ръкавици, за да запазите дланите и китките си топли.
- След всеки интервал на работа правете упражнения, за да подобрите кръвообращението си.
- Почивайте си често. Ограничавайте продължителността на излагане на вредни въздействия за един ден.
- Защитните (антивибрационни) ръкавици, които се продават в магазините, от които можете да закупите градинския трион, са изработени специално за ползване с градински триони и осигуряват защита, добро захващане и намаляват въздействието на вибрациите от ръкохватката. Тези ръкавици трябва да отговарят на стандарта EN 381-7 и да имат CE маркировка.

Ако установите някой от симптомите на това заболяване, незабавно прекратете използването на машината и се консултирайте с лекар.

ВНИМАНИЕ! Продължителното използване на инструмента може да предизвика наранявания или да доведе до усложнения. Когато използвате какъвто и да било инструмент за по-дълги периоди, винаги правете редовни почивки.

УКАЗАНИЯ ЗА ЛИТIEВO-ИОННИ АКУМУЛАТОРНИ БАТЕРИИ

Употреба на литиево-йонни акумулаторни батерии

Акумулатори, които не са ползвани по-дълго време, преди употреба да се дозаредят.

Температура над 50°C намалява мощността на акумулатора. Да се избягва по-продължително нагряване на слънце или от отопление.

Поддържайте чисти присъединителните контакти на зарядното устройство и на акумулатора.

За оптимална продължителност на живот след употреба батериите трябва да се заредят напълно.

За възможно по-дълга продължителност на живот батериите трябва да се изваждат от уреда след зареждане.

При съхранение на батериите за повече от 30 дни:

Съхранявайте батерията на сухо място, при температура под 27°C.

Съхранявайте батерията при 30 до 50 % от заряда.

Зареждайте батерията на всеки 6 месеца.

Защита от претоварване при литиево-йонни акумулаторни батерии

При претоварване на батерията вследствие на голямо потребление на енергия, например изключително високи въртящи моменти, внезапно спиране или късо съединение, електрическият инструмент вибрира в продължение на 5 секунди, мига индикаторът за зареждане и електрическият инструмент се изключва сам.

За да го включите повторно, освободете превключвателя и след това включете уреда. При екстремни натоварвания батерията се нагрява значително. В този случай всички светлини на индикатора за зареждане мигат дотогава, докато батерията се охлади. След изгасване на индикатора за зареждане можете да продължите работата с уреда.

Превоз на литиево-йонни батерии

Литиево-йонните батерии са предмет на законовите разпоредби за превоз на опасни товари.

Превозът на тези батерии трябва да се извършва в съответствие с местните, националните и международните разпоредби и регламенти.

Потребителите могат да превозват тези батерии по пътя без допълнителни изисквания.

Превозът на литиево-йонни батерии от транспортни компании е предмет на законовите разпоредби за превоз на опасни товари. Подготовката на превоза и самият превоз трябва да се извършват само от обучени лица. Целият процес трябва да е под професионален надзор.

Спазвайте следните изисквания при превоз на батерии:

Уверете се, че контактите са защитени и изолирани, за да се избегне късо съединение.

Уверете се, че няма опасност от разместване на батерията в опаковката. Не превозвайте повредени батерии или такива с течове. Обърнете се към Вашата транспортна компания за допълнителни инструкции.

УКАЗАНИЯ ЗА РАБОТА

МОНТАЖ

Монтаж на веригата за рязане и водещата шина

ВНИМАНИЕ! Ако някой от частите са повредени или липсват, не използвайте машината, докато не бъдат подменени всички части. Пренебрегването на това предупреждение може да доведе до сериозно нараняване.

Не забравяйте да извадите батерията. Да се носят предпазни ръкавици!

- Развийте гайките за монтаж на шината, като използвате предоставения звездогаечен ключ.
- Свалете защитния кожух на веригата.
- Поставете веригата върху шината в правилната посока и проверете дали движещите звена са подравнени в улея на шината.
- Поставете шината на триона и завъртете веригата около задвижващото верижно зъбно колело.
- Поставете обратно защитния кожух на веригата и гайките за монтаж на шината.
- Затегнете на ръка гайките за монтаж на шината. За да се регулира натягането на веригата, шината трябва да може да се движи свободно.
- Регулирайте натягането на веригата. За справка вижте раздел „Регулиране натягането на веригата“.
- Вдигнете нагоре главата на водещата шина и затегнете здраво гайките за монтаж на шината.

ВНИМАНИЕ! Режещата верига е остра. Винаги носете защитни ръкавици, когато обслужвате веригата.

Регулиране натягането на веригата

Преди да извършвате каквито и да било дейности по веригата, извадете батерията.

За да натегнете веригата, завъртете натягащия винт на веригата по посока на часовниковата стрелка, като често проверявате степента на натягане. За да разхлабите веригата, завъртете натягащия винт на веригата по посока обратна на часовниковата стрелка, като често проверявате степента на натягане.

Постигнали сте правилната степен на натягане, когато хлабината между резците на веригата и шината е около 6,8 мм. Дръпнете надолу веригата в средата на долната страна на шината и измерете разстоянието между шината и режещите звена. Затегнете гайките за монтаж на шината, като ги въртите по посока обратна на часовниковата стрелка.

Забележка: Не пренатягайте веригата — прекомерното натягане ще ускори износването и ще скрие живота ѝ и би могло да доведе до увреждане на шината. При първоначална употреба новата верига може да се разтегне и разхлаби. Изваждайте батерията и проверявайте натягането на веригата регулярно през първите два часа на използване. По време на работа веригата се нагрява, което от своя страна води до нейното разтягане. Редовно проверявайте степента на натягане на веригата и я регулирайте, ако е необходимо. Ако натягат веригата, докато е загряла, когато се охлади, тя може да стане твърде стегната. Уверете се, че веригата е правилно натегната така, както е указано в настоящите инструкции.

Наливане на масло за смазване за веригата

ВНИМАНИЕ! Никога не работете, без да сте смазали веригата. Ако веригата се върти без смазка, водещата шина и веригата могат да се повредят. От изключителна важност е редовно да проверявате нивото на маслото в масления резервоар, преди да започнете работа с градинския трион. Дръжте резервоара пълен на поне ¼, за да сте сигурни, че разполагате с достатъчно масло за конкретната задача.

Забележка: Когато се кастрат дървета, се препоръчва използването на смазочно масло на растителна основа. Минералното масло може да увреди дърветата. Никога не използвайте отпадъчни машинни масла или много гъсти масла. Те могат да повредят градинския трион. Почиствайте повърхността около капачката за масления резервоар, за да предотвратите замърсяване.

- Развийте и свалете капачката от масления резервоар.
- Налейте масло в масления резервоар и следете нивото на масломера.
- Поставете капачката обратно и я затегнете. Забършете разлятото масло, ако има такова.

Хващане на градинския трион

Винаги хващайте градинския трион с дясната си ръка за задната ръкохватка и с лявата си ръка за предната ръкохватка. Хващайте и двете дръжки така, че палците и пръстите Ви да сключват около тях.

Стартиране на градинския трион

Преди да стартирате градинския трион, трябва да поставите батерията в него.

Защита против повторно стартиране

Този електрически инструмент е снабден със защита против повторно стартиране.

Това не позволява на включения инструмент да се стартира от само себе си, когато бъде поставена батерията, нито да се стартира повторно след активизиране на функцията за изключване на батерията.

Ако управляващият прът се намира извън дървото, изключете инструмента и после го включете отново, за да продължите да работите.

Ако направяващият прът е връзан в дървото, изчакайте трионът да спре напълно. Уверете се, че пусковият ключ е поставен на позиция „изключен“. Извадете батерията от инструмента и направяващия прът от прореза.

Поставете батерията и включете инструмента отново, за да продължите да работите.

ТРАНСПОРТИРАНЕ И СЪХРАНЕНИЕ

За да предотвратите образуването на ръжда, винаги намазвайте веригата леко, когато прибирате машината за съхранение. За да предотвратите теч, винаги изпразвайте масления резервоар, когато прибирате машината за съхранение.

Спрете машината, извадете батерията и оставете машината да се охлади, преди да я приберете за съхранение или да я транспортирате.

Почистете всички замърсявания от машината. Съхранявайте машината на хладно, сухо и проветриво място, недостъпно за деца. Дръжте я далече от разяждащи вещества, като например градинарски химикали и сол за опесчаване. Не съхранявайте на открито.

Когато транспортирате или съхранявате верижния трион, винаги поставяйте защитния кожух на водещата шина.

При транспортиране в превозно средство укрепете машината, за да не може да се движи или да падне и да нарани някого или да се повреди.

ПОЧИСТВАНЕ

Почиствайте отворите от прах и отломки. Дръжте ръкохватката чиста, суха и незацапана с масло или смазка. За почистване използвайте единствено мек сапун и парцал, тъй като някои почистващи вещества и разтворители увреждат пластмасата и други изолирани части. Някои от тези вещества са бензин, терпентин, разреждател за лак, разреждател за боя, разтворители за почистване на хлорна основа, амоняк и съдържащи амоняк домакински препарати. Никога не използвайте възпламеними или запалителни разтворители в близост до инструментите.

ПОДДРЪЖКА

ВНИМАНИЕ! Да се използват само аксесоари на Milwaukee и резервни части на Milwaukee. Неизпълнението на това указание може да доведе до нараняване, да стане причина за недобра работа и може да доведе до отпадане на гаранцията.

Да се използват само аксесоари на Milwaukee и резервни части на Milwaukee. Елементи, чията подмяна не е описана, да се дадат за подмяна в сервис на Milwaukee (вижте брошурата "Гаранция и адреси на сервиси").

ВНИМАНИЕ! Обслужването изисква голямо внимание и познания и следва да се извършва единствено от квалифициран технически персонал. За обслужване и ремонт препоръчваме да занесете машината в най-близкия сервизен център на MILWAUKEE. При обслужване използвайте единствено идентични резервни части.

ВНИМАНИЕ! Преди настройка, поддръжка и почистване извадете батерията. Неспазването на това указание може да доведе до сериозно нараняване. Позволено е извършването единствено на описаните в настоящото ръководство настройки и ремонтни дейности. За друг тип ремонтни дейности се свържете с упълномощен сервизен техник.

Последствията от неправилна поддръжка могат да попречат на правилната работа на спиратката на веригата и на другите приспособления за безопасност и така да увеличат вероятността от сериозно нараняване.

Грижете се за професионалната поддръжка и обезопасяването на Вашия градински трион. • Безопасното заточване на веригата изисква големи умения. Поради това производителят горещо препоръчва износените или затъпени вериги да се подменят с нови, които могат да бъдат закупени от сервизен център на MILWAUKEE. Артикулният номер е посочен в таблицата със спецификации в настоящото ръководство.

Следвайте инструкциите за смазване и проверка и настройка на натягането на веригата.

След всяко използване почиствайте машината с мека суха кърпа.

Отстранявайте всички трески, замърсявания и отломки от гнездото на батерията.

Проверявайте всички гайки, болтове и винтове редовно с оглед на сигурността и за да бъде машината в безопасно за работа състояние. Всяка повредена част трябва да бъде ремонтирана или подменена в сервизен център на MILWAUKEE.

Подмяна на водещата шина и режещата верига

Носете защитни ръкавици.

- извадете батерията.
- Свалете капака на направляващия прът.
- Развийте гайките за монтаж на шината, като използвате предоставения звездогаечен ключ.
- Свалете защитния кожух на веригата.
- Намалете напрежението на веригата на триона. Вижте раздела „Регулиране на напрежението на веригата“.
- Свалете старата верига заедно с направляващия прът.
- Поставете новата верига върху шината в правилната посока и проверете дали движещите звена са подравнени в улея на шината.
- Поставете шината на триона и завъртете веригата около задвижващото верижно зъбно колело.
- Сменете капака на задвижващото зъбно колело и монтажната гайка на пръта.
- Затегнете с пръст монтажната гайка на пръта.
- Прътът трябва да се движи свободно за регулиране на напрежението на веригата.
- Регулирайте натягането на веригата. За справка вижте раздел „Регулиране на натягането на веригата“.
- Вдигнете нагоре главата на водещата шина и затегнете здраво гайките за монтаж на шината.

ВНИМАНИЕ! Затъпената или неправилно заточена верига може да доведе до прекомерна скорост на мотора, а това да причини сериозна повреда на мотора.

ВНИМАНИЕ! Неправилното заточване на веригата увеличава вероятността за откат.

ВНИМАНИЕ! Неподмяненето или непоправянето на повредена верига може да доведе до сериозни наранявания.

ВНИМАНИЕ! Режещата верига е остра. Винаги носете защитни ръкавици, когато обслужвате веригата.

Техническо обслужване на направляващия прът

Когато направляващият прът покаже признаци на износване, го обърнете отдолу нагоре върху триона, за да разпределите износването за максимален живот на пръта. Прътът трябва да се почиства всеки ден на употреба и да се проверява за износване и повреди. Образуването на мустаци или резки по шините на пръта е нормален процес на износване на пръта. Такива неизправности трябва да бъдат изгладени с пила веднага щом се появят.



Прът с някоя от следните неизправности трябва да бъде подменен.

- Износване на шините на пръта отвътре, което позволява на веригата да ляга настрана.
- Огънат направляващ прът.
- Напукани или счупени шини.
- Разтворени шини.

Смазвайте направляващите пръти със зъбно колело на върха всяка седмица С помощта на спринцовка за грес смазвайте

ежеседмично в отвора за смазване. Завъртете направляващия прът и проверете дали отворите за смазване и шините на пръта не са замърсени.

График за поддръжка

Ежедневна проверка

Смазване на шината	Преди всяка употреба
Натягане на веригата	Преди всяка употреба — често
Острота на веригата	Преди всяка употреба, зрителна проверка
За повредени части	Преди всяка употреба
За разхлабени скоби/стяги	Преди всяка употреба
Водеща шина	Преди всяка употреба
Целият трион	След всяка употреба

Резервни части (шина и верига)

Производител	MILWAUKEE	OREGON
Верига	4932 4801 76	90F033XTR
Водеща шина	4932 4801 69	360804

Веригата трябва да бъде монтирана върху шина на същия производител при съблюдаване на горните съчетания.

Разгърнат изглед

При необходимост можете да поискате за уреда от Вашия сервиз или директно от Techtronic Industries GmbH, Max-Eyth-Straße 10, 71364 Winnenden, Germany, чертеж за в случай на експлозия, като посочите типа на машината и номер върху заводската табелка.

СИМВОЛИ

	Преди пускане на уреда в действие моля прочетете внимателно инструкцията за използване.
	ВНИМАНИЕ! ПРЕДУПРЕЖДЕНИЕ! ОПАСНОСТ
	Преди започване на каквито и да е работи по машината извадете акумулатора.
	Не излагайте машината на дъжд.
	Не използвайте с една ръка.
	Винаги дръжте градинския трион с две ръце.
	Носете защитни обувки, предпазващи от порязване, с нехлъзгача се подметка и стоманено бомбе!
	Да се носят предпазни ръкавици!
	Винаги носете предпазно облекло и стабилни обувки.

	Носете защитна каска. Да се носи предпазно средство за слуха! Използвайте предпазни очила.
	Внимавайте за откат на градинския трион и избягвайте досега с главата на шината.
	Докато се използва, наблюдателите трябва да стоят на разстояние от поне 15 метра.
	Маслен резервоар за веригата
	Завъртете, за да регулирате обтягането на веригата.
	Посока на движение на веригата
	Аксесоари - Не се съдържат в обема на доставката, препоръчано допълнение от програмата за аксесоари.
	Отпадъците от батерии, отпадъците от електрическо и електронно оборудване не трябва да се изхвърлят заедно с битовите отпадъци. Отпадъците от батерии, отпадъците от електрическо и електронно оборудване трябва да се събират и изхвърлят отделно. Преди изхвърлянето отстранявайте от уредите отпадъците от батерии, отпадъците от акумулатори и лампите. Информирайте се от местните служби или от своя специализиран търговец относно фирмите за рециклиране и местата за събиране на отпадъци. В зависимост от местните разпоредби, търговците на дребно могат да бъдат задължени да приемат безплатно върнатите обратно отпадъци от батерии и от електрическо и електронно оборудване. Дайте своя принос за намаляването на нуждите от суровини чрез повторната употреба и рециклирането на Вашите отпадъци от батерии и отпадъци от електрическо и електронно оборудване. Отпадъците от батерии (най-вече литиево-йонните батерии) и отпадъците от електрическо и електронно оборудване съдържат ценни рециклиращи се материали, които могат да повлияят отрицателно на околната среда и на Вашето здраве, ако не се изхвърлят по екологосъобразен начин. Преди изхвърлянето като отпадък избрийте от Вашия използван уред евентуално наличните в него лични данни.
	Гарантирано ниво на звукова мощност 79 dB(A)
v_0	Неятоварена скорост на веригата
V	Напрежение
	Постоянен ток
	Европейски знак за съответствие
	Британски знак за съответствие



Украински знак за съответствие

001



Евро-азиатски знак за съответствие

DATE TEHNICE	M18 FHS20
Tip	ferăstrău pentru elagaj
Număr producție	4916 50 01 XXXXXX MJJJ
Tensiune acumulator	18 V =
Viteza lanțului fără sarcină	4,8 m/s
Lungimea șinei de ghidaj max.	8" / 200 mm
Lungimea de tăiere utilă	7,4" / 189 mm
Capacitatea rezervorului de ulei pentru lanț	77 ml
Greutatea conform „EPTA procedure 01/2014” 01/2014 (Li-Ion 2.0 Ah .. 12.0 Ah)	2,8 kg ... 3,9 kg
Temperatură ambientală recomandată pentru funcționare	-18 ... +50 °
Seturi de baterii recomandate	M18B...; M18HB...
Încărcător de baterii recomandat	M12-18...; M1418C6
Informație privind zgomotul: Valori măsurate determinate conform EN 62841.	
Nivelul de zgomot evaluat cu A al aparatului este tipic de:	
Nivelul presiunii sonore / Nesiguranță K=	81 dB (A) / 3 dB (A)
Nivelul sunetului / Nesiguranță K=	89 dB (A) / 3 dB (A)
Purtați căști de protecție	
Informații privind vibrațiile: Valorile totale de oscilație (suma vectorială pe trei direcții determinate conform normei EN 62841.	
Valoarea emisiei de oscilații a _n / Nesiguranță K=	4,9 m/s ² / 1,5 m/s ²

⚠️ AVERTISMENT!

Nivelul vibrației și emisiei de zgomot indicat în această fișă informativă a fost măsurat în conformitate cu o metodă standard de testare specificată în EN 62841 și se poate utiliza pentru a compara dispozitivele între ele. Acesta se poate utiliza și într-o evaluare preliminară a expunerii.

Nivelul declarat al vibrației și emisiei sonore reprezintă principalele aplicații ale dispozitivului. Cu toate acestea, dacă dispozitivul este utilizat pentru aplicații diferite, cu accesorii diferite sau întreținute necorespunzător, emisia de vibrații și zgomote poate diferi. Acest lucru poate crește semnificativ nivelul expunerii pe întreaga perioadă de lucru.

O estimare a nivelului de expunere la vibrații și zgomot ar trebui să țină cont și de momentele în care dispozitivul este oprit sau când funcționează, dar nu realizează de fapt nicio lucrare. Acest lucru poate reduce semnificativ nivelul expunerii pe întreaga perioadă de lucru.

Identificați măsuri de siguranță suplimentare pentru a proteja operatorul de efectele vibrațiilor și/sau zgomotului, cum ar fi: întreținerea dispozitivului și a accesoriilor, menținerea caldă a mâinilor, organizarea modelelor de lucru.

Purtați aparatoare de urechi. Expunerea la zgomot poate produce pierderea auzului.

⚠️ AVERTISMENT! Citiți toate instrucțiunile de securitate, recomandările, reprezentările grafice și datele pe care le primiți livrate împreună cu aparatul. În cazul în care nu veți respecta următoarele instrucțiuni, se poate ajunge la electrocutare, incendii și/sau răniri grave.
Păstrați toate indicațiile de avertizare și instrucțiunile în vederea utilizărilor viitoare.

GENERALE AVERTISMENTE DE SIGURANȚĂ PENTRU FERĂSTRĂUL PENTRU ELAGAJ

- Mentineți toate părțile corpului departe de lanțul ferăstrăului atunci când ferăstrăul pentru elagaj este în funcțiune. Înainte de a porni ferăstrăul pentru elagaj, asigurați-vă că lanțul de ferăstrău nu intră în contact cu niciun obiect.** Un moment de neatenție în timpul utilizării ferăstraielelor pentru elagaj poate provoca prinderea îmbrăcămintei sau a corpului cu lanțul de ferăstrău.
- Țineți întotdeauna ferăstrăul pentru elagaj cu mâna dreaptă pe mânerul posterior și cu mâna stângă pe mânerul frontal.** Ținerea ferăstrăului pentru elagaj în mod invers crește riscul de vătămare corporală și nu trebuie făcută niciodată.
- Țineți ferăstrăul pentru elagaj numai de suprafețele de apucare izolate, deoarece lanțul ferăstrăului poate atinge conductori electrici ascunși.** Lanțurile de ferăstrău care intră în contact cu un conductor sub tensiune pot face ca piesele metalice expuse ale ferăstrăului cu lanț să intre sub tensiune și ar putea electrocuta operatorul.
- Utilizați echipament de protecție la nivelul ochilor. Se recomandă echipament suplimentar de protecție auditivă, la nivelul capului, mâinilor și părții superioare și inferioare a picioarelor.** Echipamentul de protecție adecvat va reduce vătămarile corporale cauzate de așchii proiectate în jur sau de contactul accidental cu lanțul ferăstrăului.
- Nu utilizați ferăstrăul pentru elagaj stând într-un copac, pe o scară, pe un acoperiș sau pe orice altă suprafață instabilă.**

Utilizarea ferăstrăului pentru elagaj în acest mod poate duce la vătămări corporale grave.

f) Mențineți întotdeauna o stabilitate adecvată și acționați ferăstrăul pentru elagaj numai când stați pe o suprafață fixă, sigură și fără denivelări. Suprafețele alunecoase sau instabile pot provoca pierderea echilibrului sau a controlului ferăstrăului pentru elagaj.

g) Atunci când tăiați o parte care este tensionată, aveți grijă că poate să sară înapoi. Când tensiunea se eliberează din fibrele lemnului, partea aflată sub sarcină poate lovi operatorul și/sau poate face ca acesta să piardă controlul asupra ferăstrăului pentru elagaj.

h) Acționați cu deosebită precauție atunci când tăiați arboret și puieti. Materialul subțire se poate prinde în lanțul ferăstrăului și vă poate bicui sau poate să vă dezechilibreze.

i) Transportați ferăstrăul pentru elagaj de mânerul frontal, cu ferăstrăul pentru elagaj oprit și îndepărtat de corp. Când transportați sau depozitați ferăstrăul pentru elagaj, puneți întotdeauna capul pe șina de ghidaj. Manipularea corectă a ferăstrăului pentru elagaj va reduce probabilitatea contactului accidental cu lanțul ferăstrăului aflat în mișcare.

j) Urmați instrucțiunile de lubrifiere, tensionare a lanțului și de înlocuire a șinei și lanțului. Un lanț tensionat sau lubrifiat necorespunzător se poate rupe sau poate mări posibilitățile de recul.

k) Păstrați mânerele uscate, curate și fără ulei sau vaselină. Mânere unsuroase sau uleioase sunt alunecoase și pot cauza pierderea controlului.

l) Tăiați numai lemn. Nu utilizați ferăstrăul pentru elagaj în scopuri neprevăzute. De exemplu: nu utilizați ferăstrăul pentru elagaj pentru tăierea metalului, materialelor plastice, zidăriei sau a materialelor de construcție care nu sunt confecționate din lemn. Utilizarea ferăstrăului pentru elagaj pentru operațiuni diferite față de cele prevăzute poate duce la o situație periculoasă.

Urmați toate instrucțiunile atunci când îndepărtați materialul blocat, când depozitați sau reparați ferăstrăul pentru elagaj.

Asigurați-vă că întrerupătorul este oprit și blocul bateriei este scos. Pornirea neașteptată a ferăstrăului pentru elagaj în timpul îndepărtării materialului blocat sau a lucrărilor de reparație poate duce la vătămări corporale grave.

Cauze și prevenirea reculului de către operator:

Recul poate să apară atunci când ciocul sau vârful șinei de ghidaj atinge un obiect sau atunci când lemnul se strânge la loc și prinde lanțul ferăstrăului în tăietură.

În unele cazuri, contactul la nivelul vârfului poate provoca o reacție inversă bruscă, aruncând șina de ghidaj în sus și în spate, spre operator.

Prinderea lanțului de ferăstrău de-a lungul părții de sus a șinei de ghidaj poate împinge rapid șina de ghidare în spate, spre operator.

Oricare dintre aceste reacții poate duce la pierderea controlului asupra ferăstrăului, ceea ce ar putea avea drept consecințe vătămările corporale grave. Nu vă bazați exclusiv pe dispozitivele de siguranță integrate ale ferăstrăului.

În calitate de utilizator al ferăstrăului pentru elagaj, trebuie să efectuați câteva etape pentru a vă menține lucrările de tăiere lipsite de accidente sau vătămări.

Recul este rezultatul folosirii greșite a ferăstrăului pentru elagaj și/sau a unor proceduri sau condiții de operare incorecte și poate fi evitat prin luarea măsurilor de precauție adecvate, după cum se arată mai jos:

a) Mențineți o prindere fermă, cu degetul mare și celelalte degete în jurul mânerelor ferăstrăului pentru elagaj, cu ambele mâini pe mânerul ferăstrăului, și poziționați-vă corpul și brațul pentru a vă permite să rezistați forțelor de recul. Forțele de recul pot fi controlate de operator dacă se iau măsurile de precauție adecvate. Nu lăsați ferăstrăul pentru elagaj să vă scape din mâini.

b) Nu vă întindeți și nu tăiați deasupra înălțimii umărului.

Aceasta ajută la prevenirea contactului neintenționat cu vârful și permite un control mai bun asupra ferăstrăului pentru elagaj în situații neașteptate.

c) Utilizați doar șinele de ghidaj și lanțurile de schimb specificate de către producător. Înlocuirea incorectă a șinelor de ghidaj și a lanțurilor poate cauza ruperea lanțului și/sau reculul.

d) Urmăriți instrucțiunile producătorului privind ascuțirea și întreținerea lanțului de ferăstrău. Reducerea înălțimii calibrului de adâncime poate duce la un recul sporit.

INSTRUCȚIUNI SUPLIMENTARE DE SIGURANȚĂ ȘI DE LUCRU

Când utilizați dispozitivul pentru prima dată, se recomandă să tăiați trunchiurile pe o capră de tăiat lemne sau pe un suport.

Legarea

Legarea se va face doar cu curele care absorb energia. Atașați cureaua doar de ochiul pentru curea.

Nu atașați curelusa de mâner, de capacul lamei de ghidare sau de orice alt punct al unelei.

Asigurați-vă că toate dispozitivele de protecție, mânerul și limitatorul de protecție prevăzută cu crampoane sunt montate corect și sunt în stare corespunzătoare.

Persoanele care folosesc ferăstrăul pentru elagaj ar trebui să aibă o stare bună de sănătate. Fierăstrăul pentru tăiat crengi este greu, de aceea operatorul trebuie să fie apt din punct de vedere fizic.

Operatorul trebuie să fie atent, să aibă o vedere, mobilitate, echilibru și dexteritate manuală bune. Dacă există vreo incertitudine, nu utilizați ferăstrăul pentru elagaj.

Nu începeți să utilizați ferăstrăul pentru elagaj până când nu aveți o zonă de lucru clară, o poziție sigură și o cale de retragere planificată, departe de un copacul care se doboară. Feriți-vă de vapori de lubrifiant și de praful de tăiere. Dacă este necesar, purtați o mască sau un echipament de protecție respiratorie.

Nu tăiați vrejuri și/sau lăstari mici.

Țineți întotdeauna ferăstrăul pentru elagaj cu ambele mâini în timpul operării. Utilizați o prindere fermă, cu degetul mare și celelalte degete în jurul mânerelor ferăstrăului pentru elagaj. Mâna dreaptă trebuie să fie pe mânerul posterior, iar mâna stângă pe mânerul frontal.

Înainte de a porni ferăstrăul pentru elagaj, asigurați-vă că lanțul de ferăstrău nu intră în contact cu niciun obiect.

Nu modificați ferăstrăul pentru elagaj sub nicio formă și nici nu folosiți niciun accesoriu sau dispozitiv electric nerecomandat de producător pentru ferăstrăul dvs. pentru elagaj.

În apropierea operatorului ar trebui să existe o trusă de prim-ajutor care să conțină pansamente mari pentru răni și un mijloc de a atrage atenția (de ex., un fluier). La o distanță rezonabilă față de operator ar trebui să existe o trusă mai mare și mai bine dotată.

Un lanț tensionat greșit poate sări de pe șina de ghidaj și poate provoca vătămări grave sau decesul. Lungimea lanțului depinde de temperatură. Verificați periodic tensionarea lanțului.

Ar trebui să vă familiarizați cu noul dvs. ferăstrău pentru elagaj, făcând tăieturi simple pe bucăți de lemn fixate în siguranță. Faceți acest lucru întotdeauna după ce nu ați utilizat ferăstrăul pentru elagaj perioade mai lungi. Pentru a reduce riscul de vătămare asociat cu atingerea pieselor aflate în mișcare, opriți întotdeauna motorul, scoateți blocul de baterii și asigurați-vă că toate piesele mobile s-au oprit înainte de:

- curățare sau îndepărtarea unei colmatări
- lăsarea dispozitivului nesupravegheat
- instalarea sau demontarea accesoriilor
- verificarea și întreținerea dispozitivului sau de lucrările asupra dispozitivului

Dimensiunea zonei de lucru depinde atât de lucrarea care se efectuează, cât și de mărimea arborelui sau a piesei de prelucrat implicate. De exemplu, doborârea unui copac necesită o zonă de lucru mai mare decât alte lucrări de tăieturi, de ex., tăieri de debitare. Operatorul trebuie să fie conștient și să țină sub control tot ceea ce se întâmplă în zona de lucru.

Nu tăiați cu corpul pe aceeași linie cu șina de ghidaj și cu lanțul. În cazul unui recul, acest lucru va ajuta la evitarea intrării lanțului în contact cu capul sau corpul.

Nu utilizați mișcări de tăiere înapoi-înainte, ci lăsați lanțul să acționeze. Țineți lanțul fix și nu încercați să împingeți lanțul prin tăietură.

Nu apăsați ferăstrăul la capătul tăieturii. Fiți pregătiți să preluați greutatea ferăstrăului în momentul în care acesta se desprinde de lemn. În caz contrar, se poate ajunge la vătămări corporale grave.

Nu opriți ferăstrăul în timpul unei operații de tăiere.

Mențineți ferăstrăul în funcțiune până când acesta este deja scos din tăietură. Nu fixați comutatorul pornire / oprire în poziția "pornit" când se utilizează ferăstrăul de mână.

Îndepărtați acumulatorul înainte de începerea lucrului pe mașina

⚠️ AVERTISMENT! Pentru a reduce pericolul unui incendiu și evitarea rănilor sau deteriorarea produsului în urma unui scurtcircuit nu imersați scula, acumulatorul de schimb sau încărcătorul în lichide și asigurați-vă să nu pătrundă lichide în aparate și acumulatori. Lichidele corosive sau cu conductibilitate, precum apa sărată, anumite substanțe chimice și înalbitori sau produse ce conțin înalbitori, pot provoca un scurtcircuit.

Folosiți numai încărcătoare System M18 pentru încărcarea acumulatorilor System M18. Nu folosiți acumulatori din alte sisteme.

Nu deschideți niciodată acumulatorii și încărcătoarele și paștrați-le numai în încăperi uscate. Paștrați-le întotdeauna uscate.

Împingerea și tragerea

Forța de reacție este întotdeauna opusă sensului se mișcă în care lanțul. Astfel, operatorul trebuie să fie gata să controleze tendința dispozitivului de a trage (mișcarea înainte) atunci când taie cu marginea inferioară a șinei și de a împinge (spre operator) atunci când taie cu marginea superioară.

Ferăstrău blocat în tăietură

Opriti ferăstrăul pentru elagaj și asigurați-l. Nu încercați să forțați lanțul și șina pentru scoaterea din tăietură, deoarece este posibil ca acest lucru să rupă lanțul, care se poate răsuici înapoi și îl lovește pe operator. Această situație apare în mod obișnuit dacă lemnul este sprijinit incorect, fapt care forțează ca tăietura să se închidă sub presiune, prinzând astfel lama. Dacă ajustarea suportului de sprijin nu eliberează șina și lanțul, utilizați pene de lemn sau o pârghie pentru a deschide tăietura și pentru a elibera ferăstrăul. Nu încercați niciodată să porniți ferăstrăul pentru elagaj atunci când șina de ghidaj este deja în tăietură sau în fâgaș.

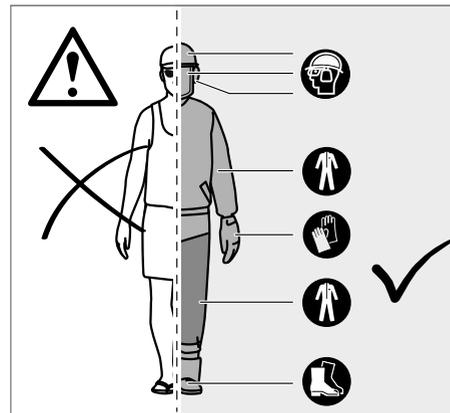
Patinarea/instabilitatea verticală

Atunci când lanțul nu reușește să facă creștătura în timpul unei tăieri, șina de ghidaj poate începe să trepedeze sau să patineze periculos de-a lungul suprafeței trunchiului sau crengii, putând duce la pierderea controlului asupra ferăstrăului cu lanț. Pentru a preveni sau a reduce patinarea sau instabilitatea verticală, utilizați întotdeauna ferăstrăul cu ambele mâini, asigurându-vă că lanțul de ferăstrău reușește să facă un șanț pentru tăiere. Nu tăiați niciodată cu ferăstrăul dvs. cu lanț arboret sau crengi mici și flexibile. Mărimea și flexibilitatea acestora pot cauza cu ușurință instabilitatea verticală spre dvs. sau o blocare cu suficientă forță pentru a provoca un recul. Cele mai bune scule pentru un astfel de tip de lucru sunt un ferăstrău de mână, o foarfecă de toaletare, un topor sau alte scule manuale.

Echipamentul personal de protecție

Purtați întotdeauna o cască în timpul utilizării dispozitivului. O cască echipată cu vizor din grilaj de sârmă poate contribui la reducerea riscului de rănire a feței și a capului în cazul unui recul. Purtați căști de protecție

Echipamentele personale de protecție de bună calitate, precum cele utilizate de profesioniști, vor contribui la reducerea riscului de rănire a operatorului. În timpul utilizării dispozitivului ar trebui folosite următoarele articole:



Cască de siguranță

ar trebuie să fie în conformitate cu EN 397 și să aibă marcajul CE

Protecție auditivă

ar trebuie să fie în conformitate cu EN 352-1 și să aibă marcajul CE

Protecție pentru ochi și față

ar trebuie să aibă marcajul CE și să fie în conformitate cu EN 166 (pentru ochelari de siguranță) sau cu 1731 (pentru vizoare cu rețea de sârmă)

Mănuși

ar trebuie să fie în conformitate cu EN381-7 și să aibă marcajul CE

Protecție la nivelul picioarelor (tip cowboy)

ar trebuie să fie în conformitate cu EN 381-5, să aibă marcajul CE și să asigure protecția de jur-împrejur trebuie să fie în conformitate cu EN 381-5, să aibă marcajul CE și să asigure protecția de jur-împrejur

Cizme de siguranță pentru ferăstrău pentru elagaj

ar trebuie să fie în conformitate cu EN ISO 20345:2004 și să fie marcate cu plăcuță care prezintă un ferăstrău pentru elagaj pentru a indica conformitatea cu EN 381-3. (Dacă solul este uniform și există un risc redus de a călca strâmb sau de împiedicare în tufe, utilizatorii ocazionali pot folosi cizme de protecție cu bombeuri din oțel, cu ghetre de protecție în conformitate cu EN 381-9)

Jachete pentru ferăstrău pentru elagaj, pentru protecția părții superioare a corpului

ar trebuie să fie în conformitate cu EN 381-11 și să aibă marcajul CE

CUNOAȘTEȚI-VĂ FERĂSTRĂUL PENTRU ELAGAJ

- | | |
|--|---|
| 1 Mâner frontal | 11 Limitator de protecție prevăzută cu crampoane |
| 2 Protecție frontală pentru mână | 12 Ferăstrău cu lanț |
| 3 Dispozitiv de blocare | 13 Șină de ghidaj |
| 4 Întrerupător de curent electric | 14 Canal de șină |
| 5 Mâner posterior | 15 Transmisie prin lanț |
| 6 Bușon lubrifiant de lanț | 16 Capac pentru pinionul de antrenare |
| 7 Rezervor de ulei pentru lanț | 17 Șurub pentru tensionarea lanțului |
| 8 Protecție posterioară pentru mână | 18 piuliță de montare pentru șină |
| 9 Cheie combinată | 19 Carcasă șină de ghidaj |
| 10 Acumulator | |

⚠️ AVERTISMENT!

Consecințele unei întreprinderi, îndepărtări sau modificări necorespunzătoare a elementelor de siguranță, comutatorului de aprindere, protecției pentru mâini (față și spate), limitatorului de protecție prevăzută cu crampoane, elementului pentru reținerea lanțului, lamei de ghidaj, lanțului de fierăstrău cu recul redus, pot fi funcționarea incorectă, crescând astfel riscul de vătămare gravă.

Limitator de protecție prevăzută cu crampoane

Limitatorul de protecție integrat prevăzută cu crampoane poate fi utilizat ca punct de rotire atunci când trebuie să se facă o tăietură. Este util ca la tăiere carcasa ferăstrăului să fie ținută în mod stabil. La tăiere, apăsați dispozitivul înspire înainte până când crampoanele metalice pătrund în marginea lemnului; apoi, când ridicați sau lăsați în jos mânerul posterior în sensul tăieturii, sarcina fizică a ferăstrăului se poate reduce.

Șină de ghidaj

În general, șinele de ghidaj cu vârful și rază de curbură mică au un potențial mai scăzut de recul. Ar trebui să utilizați o șină de ghidaj și un lanț potrivit, care este suficient de lung pentru lucrare. Șinele mai lungi măresc riscul de pierdere a controlului în timpul tăierii. Verificați periodic tensionarea lanțului. Atunci când tăiați crengi mai mici (care au mai puțin decât lungimea completă a șinei de ghidaj), este probabil ca lanțul să fie aruncat dacă tensionarea nu este corectă.

INSTRUCȚIUNI PRIVIND TEHNICILE ADECVATE DE DOBORÂRE DE BAZĂ, TĂIERE A RAMURILOR ȘI DE RETEZARE (TĂIERE TRANSVERSALĂ)

Înțelegerea forțelor care acționează în lemn

Dacă înțelegeți presiunile direcționale și stresul din interiorul lemnului, puteți reduce „ciupiturile” sau cel puțin vă puteți aștepta la ele în timpul tăierii. Tensiunea din lemn înseamnă că firele sunt trase în sens opus uneia față de altele și atunci când tăiați în această zonă, „fâgașul” sau tăietura va avea tendința să se deschidă pe măsură ce trece ferăstrăul. Dacă un trunchi este susținut pe o capră de tăiere și capătul este suspendat, fără susținere la capăt, pe suprafața superioară se formează o tensiune datorată părții de trunchi nesusținut, care întinde fibrele. În mod asemănător, partea inferioară a trunchiului va fi în compresie și fibrele sunt împinse unele în altele. Atunci când se face o tăietură în această zonă, fâgașul va avea tendința de a se închide în timpul tăierii. Acest lucru ar putea duce la prinderea lamei.

Eliberarea de ramuri a unui copac

Eliberarea de ramuri a unui copac este îndepărtarea ramurilor unui copac doborât. La eliberarea de ramuri a copacului, lăsați crengi dedesubt, pentru a menține copacul deasupra solului. Îndepărtați crengile mai mici printr-o singură tăietură. Crengile care sunt tensionate ar trebui tăiate de jos în sus, pentru a evita prinderea ferăstrăului pentru elagaj.

Tăierea lemnului tensionat

Lemnul tensionat este un trunchi, o ramură, o buturugă înrădăcinată

sau un puiet îndoită sub tensiune și care sare înapoi atunci când celălalt lemn este tăiat sau îndepărtat.

În cazul unui copac doborât este foarte probabil ca o buturugă înrădăcinată să sară înapoi în poziția sa verticală atunci când trunchiul este separat de buturugă prin debitate. Aveți grijă la lemnul tensionat, deoarece acesta prezintă multe riscuri.

⚠️ AVERTISMENT! Lemnele tensionate sunt periculoase și pot lovi operatorul, făcându-l să piardă controlul ferăstrăului pentru elagaj. Acest lucru poate fi urmat de vătămare severă sau mortală a operatorului.

CONDIȚII DE UTILIZARE SPECIFICATE

Ferăstrăul pentru elagaj fără cablu este destinat numai utilizării în exterior.

Din motive de siguranță, ferăstrăul pentru elagaj trebuie controlat în mod adecvat în timpul utilizării, prin ținerea întotdeauna cu două mâini.

Ferăstrăul pentru elagaj este conceput pentru a tăia ramuri, trunchiuri, bușteni și grinzii cu un diametru determinat de lungimea de tăiere a șinei de ghidaj. Este destinat exclusiv tăierii lemnului. Este destinat exclusiv utilizării de către adulții care au beneficiat de o instruire adecvată cu privire la pericole și la măsurile/acțiunile preventive care trebuie întreprinse în timpul utilizării ferăstrăului pentru elagaj.

Nu utilizați ferăstrăul pentru elagaj pentru alte scopuri decât cele prevăzute mai sus. Acesta nu are voie să fie utilizat pentru activitățile profesionale de arboricultură. Ferăstrăul pentru elagaj nu are voie să fie utilizat de către copiii sau de către persoane care nu poartă echipament personal și îmbrăcăminte de protecție.

⚠️ AVERTISMENT! La utilizarea acestui ferăstrău pentru elagaj trebuie respectate regulile de siguranță. Pentru siguranța dvs. și a celor din jur, citiți aceste instrucțiuni înainte de a utiliza ferăstrăul pentru elagaj. Ar trebui să urmați un curs de siguranță organizat profesionist despre utilizare, măsuri de prevenire, prim-ajutor și întreținere a ferăstrăului pentru elagaj. Vă rugăm să păstrați instrucțiunile pentru utilizarea ulterioară a acestora.

⚠️ AVERTISMENT! Ferăstraiele pentru elagaj sunt dispozitive potențial periculoase. Accidentele care implică utilizarea ferăstrăului pentru elagaj produc adesea pierderi ale membrilor sau deces. Pericolul nu constă doar în ferăstrăul pentru elagaj în sine. Ramurile doborâte, copacii care răstoarnă și trunchiurile care se rostogolesc, toate pot ucide. Lemnul bolnav sau putrezit prezintă pericole suplimentare. Ar trebui să vă evaluați capacitatea de a finaliza sarcina în siguranță. Dacă există vreo îndoială, lăsați-o unui arboricultor profesionist.

Montarea și conectarea la alimentarea electrică

RISCURI REZIDUALE

Chiar și când produsul este utilizat corect, riscurile reziduale nu pot fi complet excluse. Următoarele riscuri pot apărea în timpul utilizării, de aceea utilizatorul trebuie să țină cont de următoarele:

- IVătămare cauzată de vibrații
Utilizați întotdeauna dispozitivul potrivit pentru lucrarea respectivă. Utilizați mânerul prevăzute. Limitați timpul de lucru și de expunere.
- Deteriorarea auzului prin expunerea la zgomot
Utilizați echipament de protecție auditivă și limitați expunerea.
- Vătămare cauzată de contact cu dinții descoperiți ai lanțului ferăstrăului
- Vătămare cauzată de fragmente proiectate din obiectul de lucru (rumeguș, așchii de lemn)
- Vătămare cauzată de praf și particule
- Vătămare cauzată de contactul pielii cu lubrifianții
- Fragmente proiectate din lanțul de ferăstrău (pericole de tăiere/întepare)
- Mișcarea neprevăzută, bruscă sau reculul șinei de ghidaj (pericole de tăiere)

REDUCEREA RISCULUI

- S-a raportat că vibrațiile dispozitivelor portabile pot contribui la o afecțiune denumită sindromul Raynaud la anumite persoane. Simptomele pot include pruritului, amorțea și senzația de

furnicături prin degete, care apar de obicei prin expunerea la frig. Factorii ereditari, expunerea la frig și umiditate, dieta, fumatul și practicile de lucru sunt toate considerate a contribui la dezvoltarea acestor simptome. Există măsuri care pot fi luate de operator pentru a reduce efectele vibrațiilor:

- Mențineți-vă corpul cald pe vreme rece. Atunci când utilizați dispozitivul, purtați mănuși pentru a vă menține calde mâinile și încheieturile mâinilor.
- După fiecare perioadă de operare, faceți exerciții pentru punerea sângelui în mișcare.
- Faceți pauze de muncă frecvente. Limitați expunerea zilnică.
- Mănușile de protecție disponibile la comercianții de specialitate de ferăstraie pentru elagaj sunt concepute în mod special pentru utilizarea cu ferăstraiele pentru elagaj, oferă o protecție și o aderență bună, reducând și efectul vibrațiilor mânerului. Aceste mănuși ar trebuie să fie în conformitate cu EN 381-7 și trebuie să aibă marcajul CE.

Dacă prezența oricare dintre simptomele acestei afecțiuni, întrerupeți imediat utilizarea și consultați medicul.

⚠️ AVERTISMENT! Utilizarea prelungită a unui dispozitiv poate cauza vătămări sau le poate agrava. Orice dispozitiv utilizați pe perioade îndelungate, asigurați-vă că faceți pauze periodice.

INDICAȚII PENTRU ACUMULATORII LI-ION

Utilizarea acumulatorilor Li-Ion

Acumulatorii care nu au fost utilizați o perioadă de timp trebuie reîncărcați înainte de utilizare

Temperatura mai mare de 50°C (122°F) reduce performanța acumulatorului. Evitați expunerea prelungită la căldură sau radiație solară (risc de supraîncălzire)

Contactele încărcătoarelor și acumulatorilor trebuie păstrate curate.

În scopul optimizării duratei de funcționare, bateriile trebuie reîncărcate complet după utilizare.

Pentru o durată de viață cât mai lungă, acumulatorii ar trebui scoși din încărcător după încărcare.

La depozitarea acumulatorilor mai mult de 30 zile:

Depozitați blocul de baterii la temperaturi sub 27 °C și în condiții lipsite de umiditate.

Acumulatorii se depozitează la nivelul de încărcare de cca. 30%-50%.

Acumulatorii se încarcă din nou la fiecare 6 luni.

Protecție la suprasarcină la acumulatorii Li-Ion

În cazul unei suprasolicitări a acumulatorului datorită unui consum excesiv de curent electric, de ex. datorită unor momente de turație extrem de înalte, a unei opriri subite sau a unui scurt circuit, scula electrică trepidează timp de 5 secunde, indicația stării de încărcare pâlpâie și scula electrică se deconectează de la sine.

Pentru reconectare așteți drumul întrerupătorului și conectați din nou. În cazul unor sarcini extreme, acumulatorul se încinge prea tare. În acest caz toate lămpile indicației stării de încărcare pâlpâie până când acumulatorul s-a răcit. După ce indicația stării de încărcare s-a stins se poate lucra mai departe.

Transportul acumulatorilor cu ioni de litiu

Acumulatorii cu ioni de litiu cad sub incidența prescripțiilor legale pentru transportul de mărfuri periculoase.

Transportul acestor acumulatori trebuie să se efectueze cu respectarea prescripțiilor și reglementărilor pe plan local, național și internațional.

Consumatorilor le este permis transportul rutier nerestricționat al acestui tip de acumulatori.

Transportul comercial al acumulatorilor cu ioni de litiu prin intermediul firmelor de expediție și transport este supus reglementărilor transportului de mărfuri periculoase. Pregătirile pentru expediție și transportul au voie să fie efectuate numai de către personal instruit corespunzător. Întregul proces trebuie asistat în mod competent.

Următoarele puncte trebuie avute în vedere la transportul acumulatorilor:

Pentru a se evita scurtcircuitul, asigurați-vă de faptul că sunt protejate și izolate contactele.

Aveți grijă ca pachetul de acumulatori să nu poată aluneca în altă poziție în interiorul ambalajului său. Este interzis transportarea unor acumulatori deteriorați sau care pierd lichid. Pentru indicații suplimentare adresați-vă firmei de expediție și transport cu care colaborați.

INDICAȚII DE LUCRU

MONTAREA

Montarea lanțului de ferăstrău și a șinei de ghidaj

⚠️ AVERTISMENT! Dacă vreo componentă este deteriorată sau lipsește, nu utilizați dispozitivul decât după înlocuirea componentelor. Nerespectarea acestui avertisment poate duce la vătămări corporale grave.

Asigurați-vă că scoateți blocul bateriei. Purtați mănuși de protecție!

1. Scoateți piulițele de montare a șinei utilizând cheia combinată furnizată.
2. Scoateți capacul pentru lanț.
3. Așezați lanțul în direcția corectă pe șină și asigurați-vă că conexiunile de antrenare sunt aliniate în canalul de șină.
4. Atașați șina la ferăstrăul pentru elagaj și angajați lanțul în jurul pinionului de antrenare.
5. Montați la loc capetele pentru lanț și piulițele de montare pentru șină.
6. Strângeți cu degetele piulițele de montare pentru șină. Șina trebuie să se miște neobstrucționat pentru ajustarea tensionării lanțului.
7. Ajustați tensionarea lanțului. Consultați secțiunea „Ajustarea tensionării lanțului”.
8. Țineți în sus vârful șinei de ghidaj și strângeți sigur piulițele de montare pentru șină.

⚠️ AVERTISMENT! Lanțul ferăstrăului este ascuțit. Purtați întotdeauna mănuși de protecție atunci când efectuați lucrări de întreținere asupra lanțului.

Ajustarea tensionării lanțului

Îndepărtați blocul bateriei înainte de a începe orice lucrare asupra dispozitivului.

Pentru a mări tensionarea lanțului, răsușiți șurubul de tensionare a lanțului în sens orar și verificați frecvent tensiunea lanțului. Pentru a reduce tensionarea lanțului, răsușiți șurubul de tensionare a lanțului în sens antiorar și verificați frecvent tensiunea lanțului.

Tensionarea lanțului este corectă atunci când distanța dintre lama de tăiere a lanțului și șină este de aproximativ 6,8 mm. Trageți lanțul în jos de la mijlocul părții inferioare (adică trageți de el în jos de pe șină) și măsurați distanța dintre șină și lamele de tăiere ale lanțului. Strângeți piulițele de montare pentru șină prin răsușiți în sens orar.

Notă: Nu supratensionați lanțul - tensionarea excesivă va cauza uzura excesivă și va reduce durata de viață a lanțului, putând să deterioreze șina. Lanțurile noi se pot strânge sau pot slăbi în timpul utilizării inițiale. Scoateți blocul bateriei și verificați frecvent tensionarea lanțului în timpul primelor două ore de utilizare. Temperatura lanțului crește în timpul funcționării normale, determinând îndoirea lanțului. Verificați frecvent tensiunea lanțului și reglați-o după cum este necesar. Un lanț tensionat în timp ce este cald poate fi prea strâns la răcire. Asigurați-vă că tensiunea lanțului este reglată corect, așa cum se specifică în aceste instrucțiuni.

Adăugarea uleiului pentru lubrifierea lanțului

⚠️ AVERTISMENT! Nu lucrați niciodată fără lubrifianț de lanț. Dacă lanțul ferăstrăului funcționează fără lubrifianț, șina de ghidaj și lanțul de ferăstrău pot fi deteriorate. Este esențial să verificați frecvent și înainte de a începe să folosiți ferăstrăul pentru elagaj nivelul uleiului din dispozitivul de măsurare a nivelului de ulei.

Păstrați nivelul din rezervor umplut la peste ¼, pentru a vă asigura că aveți suficient ulei pentru lucrare.

Notă: La toaletarea copacilor se recomandă utilizarea unui ulei de lanț pe bază de produse vegetale. Uleiul mineral poate afecta copacii. Nu utilizați niciodată uleiuri uzate, uleiuri auto sau uleiuri foarte vâscoase. Acestea pot deteriora ferăstrăul pentru elagaj. Curățați suprafața din jurul bușonului de ulei, pentru a preveni contaminarea.

1. Deșurubați și scoateți bușonul rezervorului de ulei.
2. Turnați ulei în rezervorul de ulei și monitorizați nivelul uleiului din dispozitivul de măsurare a nivelului de ulei.
3. Puneți la loc bușonul de ulei și înșurubați-l. Ștergeți uleiul scurs.

Cum se ține ferăstrăul pentru elagaj

Țineți întotdeauna ferăstrăul pentru elagaj cu mâna dreaptă pe mânerul posterior și cu mâna stângă pe mânerul frontal. Apucați cele două mâneri cu degetul mare și celelalte degete în jurul mânerelor ferăstrăului pentru elagaj.

Pornirea ferăstrăului pentru elagaj

Înainte de pornirea ferăstrăului pentru elagaj trebuie să montați blocul bateriei în ferăstrăul pentru elagaj.

Protecție contra repornirii

Dispozitivul electric este furnizat cu protecție contra repornirii. Astfel se previne activarea de la sine a dispozitivului electric aflat sub alimentare atunci când blocul bateriei este introdus și previne repornirea după o funcție de oprire a blocului de baterii.

În cazul în care șina de ghidaj este ieșită din lemn, opriți dispozitivul electric și apoi reporniți-l pentru a continua lucrul.

În cazul în care șina de ghidaj este în lemn, așteptați până când lanțul ferăstrăului se oprește complet. Asigurați-vă că întrerupătorul este în poziția Oprit (off). Scoateți blocul bateriei din dispozitivul electric și șina de ghidaj din tăietură. Introduceți blocul bateriei și apoi reporniți dispozitivul electric pentru a continua lucrul.

TRANSPORT ȘI DEPOZITARE

Întotdeauna înainte de depozitare, ungeți ușor cu ulei lanțul, pentru a preveni rugina. Întotdeauna înainte de depozitare, goliiți rezervorul de ulei, pentru a evita scurgerea.

Oprii dispozitivul, scoateți blocul bateriei și lăsați dispozitivul să se răcească înainte de depozitare sau de transport.

Curățați de pe dispozitiv toate materialele străine. Depozitați dispozitivul într-un loc răcoros, uscat și bine ventilat, care este inaccessibil copiilor. A se păstra ferit de agenții corozivi, cum ar fi produsele chimice de grădinarit și sărurile degivrare. A nu se depozita în spații exterioare.

Montați capacul șinei de ghidaj înainte de a depozita dispozitivul sau în timpul transportului.

Pentru transportul în vehicule, asigurați-vă că dispozitivul nu se mișcă sau nu poate să cadă, pentru a preveni vătămarea persoanelor sau deteriorarea dispozitivului.

CURĂȚARE

Curățați praful și reziduurile de pe deschideri. Păstrați mânerul curat, uscat și fără uleiuri sau grăsimi. Pentru curățare, utilizați numai săpun delicat și o cârpă umedă, deoarece anumiți agenți de curățare și solvenți dăunează materialelor din plastic și altor componente izolate. Unii dintre aceștia includ benzina, terpentina, diluantul pentru lacuri și vopsele, solvenții de curățare clorurați, amoniacul și detergenții de uz casnic cu conținut de amoniac. Nu utilizați niciodată solvenți inflamabili sau combustibili în jurul dispozitivelor.

ÎNȚEȚINERE

⚠️ AVERTISMENT! Utilizați numai accesorii și piese de schimb Milwaukee. În caz contrar, pot fi provocate vătămări, poate fi afectată în mod negativ performanța și poate să se ajungă la anularea garanției.

Utilizați numai accesorii și piese de schimb Milwaukee. Dacă unele din componente care nu au fost descrise trebuie înlocuite , vă rugăm contactați unul din agenții de service Milwaukee (vezi lista noastră pentru service / garanți

⚠️ AVERTISMENT! Lucrările de service necesită o atenție deosebită și cunoștințe corespunzătoare și ar trebui să fie efectuate numai de către un tehnician de service calificat. Pentru service, vă sugerăm să duceți dispozitivul la cel mai apropiat post de service MILWAUKEE, pentru reparații. La lucrările de service, utilizați numai piese de schimb identice.

AVERTISMENT! Scoateți blocul bateriei înainte de ajustare, întreținere sau curățare. În caz contrar, se poate ajunge la vătămări corporale grave. Vă este permis să efectuați numai ajustările sau reparații descrise în acest manual. Pentru alte reparații, contactați agentul de service autorizat.

Consecințele unei întrețineri necorespunzătoare pot fi funcționarea incorectă a frânei de lanț și a altor dispozitive de siguranță, crescând astfel potențialul de vătămare gravă.

Mențineți ferăstrăul pentru elagaj întreținut profesional și în condiții de siguranță. • Ascutirea în siguranță a lanțului este o sarcină calificată. Prin urmare, producătorul recomandă insistent înlocuirea unui lanț uzat sau tocit cu unul nou, disponibil la agentul de service MILWAUKEE. Numărul componentei este disponibil în tabelul cu specificațiile produsului din acest manual.

Urmați instrucțiunile de lubrifiere a lanțului și de verificare și ajustare a tensionării lanțului.

După fiecare utilizare, curățați dispozitivul cu o cârpă moale, uscată. Îndepărtați toate așchiile, murdăria și reziduurile din adâncitura pentru blocul bateriei.

Verificați starea sigură a tuturor piulițelor, tijelor și șuruburilor la intervale frecvente, pentru a vă asigura că dispozitivul este în stare sigură de lucru. Orice componentă deteriorată trebuie reparată corespunzător sau înlocuită de către un post de service MILWAUKEE.

Înlocuirea șinei de ghidaj și a lanțului ferăstrăului

Purtați mănuși de protecție.

1. Scoateți blocul bateriei
2. Scoateți capacul șinei de ghidaj
3. Scoateți piulițele de montare a șinei utilizând cheia combinată furnizată.
4. Scoateți capacul pentru lanț.
5. Reduceți tensiunea lanțului ferăstrăului. Consultați secțiunea „Reglarea tensiunii lanțului”.
6. Scoateți lanțul vechi împreună cu șina de ghidaj
7. Așezați noul lanț în direcția corectă pe șină și asigurați-vă că conexiunile de antrenare sunt aliniate în canalul de șină.
8. Atașați șina la ferăstrăul pentru elagaj și angajați lanțul în jurul pinionului de antrenare.
9. Înlocuiți capacul pinionului de antrenare și piulița de fixare a lamei.
10. Strângeți cu mâna piulița de fixare a lamei.
11. Lama trebuie să se poată mișca liberă pentru reglarea tensiunii lanțului.
12. Ajustați tensionarea lanțului. Consultați secțiunea „Ajustarea tensionării lanțului”.
13. Țineți în sus vârful șinei de ghidaj și strângeți sigur piulițele de montare pentru șină.

AVERTISMENT! Un lanț bont sau ascuțit necorespunzător poate cauza o turație excesivă a motorului în timpul tăierii, ceea ce poate cauza deteriorarea gravă a motorului.

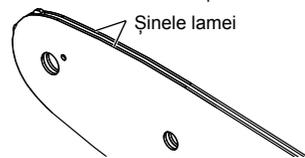
AVERTISMENT! Ascutirea necorespunzătoare a lanțului mărește potențialul de recul.

AVERTISMENT! Neînlocuirea sau nerepararea unui lanț deteriorat poate cauza vătămări grave.

AVERTISMENT! Lanțul ferăstrăului este ascuțit. Purtați întotdeauna mănuși de protecție atunci când efectuați lucrări de întreținere asupra lanțului.

Întreținerea lamei de ghidare

Atunci când lama de ghidare prezintă semne de uzură, întoarceți-o cu partea de jos în sus pe ferăstrău pentru a egaliza uzura și a asigura o durată de viață maximă a lamei. Lama trebuie curățată după fiecare zi de utilizare și trebuie verificată pentru a se constata uzura și deteriorarea. Formarea de bavură sau debavurarea la nivelul șinelor lamei constituie un proces normal de uzură al lamei. Astfel de defecte trebuie aplatizate cu o pilă de îndată ce apar.



Va trebui înlocuită lama de ghidare a lanțului care prezintă oricare dintre următoarele defecte.

- Uzură în interiorul șinelor lamei care permite lanțului să iasă în lateral.
- Lama de ghidare este îndoită.
- Șinele sunt crăpate sau rupte.
- Șinele sunt depărtate.

Lubrificați săptămânal lamele de ghidare cu un pinion la vârful lor. Cu ajutorul unei seringi de lubrifiere, lubrificați săptămânal în orificiul de lubrifiere. Întoarceți lama de ghidare și verificați dacă găurile de lubrifiere și șinele lamei sunt fără impurități.

Program de întreținere

Verificare zilnică

Lubrifierea șinei	Înainte de fiecare utilizare
Tensionarea lanțului	Înainte de fiecare utilizare și frecvent
Gradul de ascuțire a lanțului	Înainte de fiecare utilizare, verificare vizuală
Piese deteriorate	Înainte de fiecare utilizare
Elemente de fixare slăbite/desfăcute	Înainte de fiecare utilizare
Șină de ghidaj	Înainte de fiecare utilizare
Ferăstrău integral	După fiecare utilizare

Piese de schimb (Șină și lanț)

Producător	MILWAUKEE	OREGON
Lanț	4932 4801 76	90F033XTR
Șină de ghidaj	4932 4801 69	360804

Lanțul trebuie potrivit cu șina de la același producător, în conformitate cu combinațiile de mai sus.

Imagine explodată

Dacă este necesară, se poate comanda o imagine descompusă a sculei. Vă rugăm menționați numărul art. Precum și tipul mașinii tipărit pe etichetă și comandați desenul la agenții de service locali sau direct la Techtronic Industries GmbH, Max-Eyth-Straße 10, 71364 Winnenden, Germany.

SIMBOLURI

	Vă rugăm citiți cu atenție instrucțiunile înainte de pornirea mașinii
	PERICOL! AVERTIZARE! ATENȚIE!
	Îndepărtați acumulatorul înainte de începerea lucrului pe mașina
	Nu lăsați mașina în ploaie.
	A nu se utiliza cu o singură mână
	Utilizați ferăstrăul pentru elagaj întotdeauna cu ambele mâini
	Purtați încălțăminte de siguranță cu protecție contra tăierii, talpă aderentă și bombou de protecție din oțel la nivelul degetelor!
	Purtați mănuși de protecție!
	Purtați întotdeauna îmbrăcăminte de protecție și încălțăminte stabilă.
	Purtați cască de protecție. Purtați căști de protecție. Utilizați ochelari de protecție.
	Feriți-vă de reculul ferăstrăului pentru elagaj și evitați atingerea cu vârful șinei
	Țineți persoanele prezente la o distanță de cel puțin 50' în timpul utilizării.
	Rezervor de ulei pentru lanț
	Răsuțiți pentru a ajusta tensionarea lanțului
	Sensul de funcționare a lanțului
	Accesoriu - Nu este inclus în echipamentul standard, disponibil ca accesoriu



Deșeurile de baterii, deșeurile de echipamente electrice și electronice nu se elimină ca deșeurii municipale nesortate. Deșeurile de baterii și deșeurile de echipamente electrice și electronice trebuie colectate separat. Deșeurile de baterii, deșeurile de acumulatori și materialele de iluminat trebuie îndepărtate din echipament. Informații-vă de la autoritățile locale sau de la comercianții acreditați în legătură cu centrele de reciclare și de colectare. În conformitate cu reglementările locale retailerii pot fi obligați să colecteze gratuit bateriile uzate și deșeurile de echipamente electrice și electronice. Contribuția dumneavoastră la reutilizarea și reciclarea deșeurilor de baterii și a deșeurilor de echipamente electrice și electronice contribuie la reducerea cererii de materii prime. Deșeurile de baterii și deșeurile de echipamente electrice și electronice conțin materiale reciclabile valoroase, care pot avea un impact negativ asupra mediului și sănătății umane, în cazul în care nu sunt eliminate în mod ecologic. În cazul în care pe echipamente au fost înregistrate date cu caracter personal, acestea trebuie șterse înainte de eliminarea echipamentelor ca deșeurii.



Nivel de sunet garantat 79 dB(A)



Viteza lanțului fără sarcină



Tensiune



Curent continuu



Marcă de conformitate europeană



Marcă de conformitate britanică



Marcă de conformitate ucraineană



Marcă de conformitate eurasiatică

ТЕХНИЧКИ ПОДАТОЦИ	M18 FHS20
Тип на дизајн	пила за кастрење
Производен број	4916 50 01 XXXXXX MJJJJ
Волтажа на батеријата	18 V =
Брзина на ланец на празно	4,8 m/s
Должина на меч макс.	8" / 200 mm
Корисна должина на сечење	7,4" / 189 mm
Капацитет на резервоар за масло за ланец	77 ml
Тежина според ЕПТА-процедурата 01/2014 01/2014 (Li-Ion 2.0 Ah .. 12.0 Ah)	2,8 kg 3,9 kg
Препорачана температура на околната за работа	-18 ... +50 °
Препорачани комплекти акумулаторски батерии	M18B...; M18NB...
Препорачани полначи	M12-18...; M1418C6
Информации за бучавата: Измерените вредности се одредени согласно стандардот EN 62841. А-оценетото ниво на бучава на апаратот типично изнесува:	
Ниво на звучен притисок / Несигурност К	81 dB (A) / 3 dB (A)
Ниво на јачина на звук / Несигурност К	89 dB (A) / 3 dB (A)
Носте штитник за уши.	
Информации за вибрации: Вкупни вибрациски вредности (векторски збир на трите насоки) пресметани согласно EN 62841.	
Вибрациска емисиона вредност $a_{h,1}$ / Несигурност К	4,9 m/s ² / 1,5 m/s ²

⚠ ПРЕДУПРЕДУВАЊЕ!

Нивото на вибрации и емисија на бучава дадени во овој информативен лист се измерени во согласност со стандардизиран метод на тестирање даден во EN 62841 и може да се користат за споредување на еден електричен алат со друг. Тие исто така може да се користат при првична процена на изложеност.

Наведеното ниво на вибрации и емисија на бучава ја претставува главната примена на алатот. Сепак ако алатот се користи за поинакви примени, со поинаков прибор или лошо се одржува, вибрациите и емисијата на бучава може да се разликуваат. Тоа може значително да го зголеми нивото на изложеност преку целиот работен период.

Проценка на нивото на изложеност на вибрации и бучава треба исто така да се земе предвид кога е исклучен алатот или кога е вклучен, но не врши никаква работа. Тоа може значително да го намали нивото на изложеност преку целиот работен период.

Увердете дополнителни безбедносни мерки за да се заштити операторот од ефектите на вибрациите и/или бучавата како на пр.: одржувајте го алатот и приборот, рацете нека ви бидат топли, организација на работните шеми.

Носете штитник за уши. Изложеноста на бука може да предизвика губење на слухот.

⚠ ПРЕДУПРЕДУВАЊЕ! Прочитајте ги сите безбедносни напомени, упатства, цртежи и податоци, коишто ги добивате заедно со уредот. Доколку не ги почитувате следните упатства, може да дојде до електричен удар, до пожар и/или до тежки повреди. **Сочувајте ги сите безбедносни упатства и инструкции за во иднина.**

ОПШТИ СИГУРНОСНИ ПРЕДУПРЕДУВАЊА ЗА ПИЛАТА ЗА КАСТРЕЊЕ

а) Чувајте ги сите делови од телото подалеку од ланецот кога работи пилата за кастрење. Пред да ја стартувате пилата за кастрење, проверете ланецот да не допира нешто. Момент на невнимание додека ја користите пилата за кастрење може да предизвика заплетување на вашата облека или тело со пилата со ланец.

б) Секогаш држете ја пилата за кастрење со вашата десна рака на десната рачка а левата рака на предната рачка. Држењето на пилата за кастрење со обратна конфигурација на рацете го зголемува ризикот за телесна повреда и не треба никогаш да се прави.

в) Држете ја пилата за кастрење само на изолираните површини за фаќање бидејќи ланецот на пилата може да допре скриени жици. Ако ланците дојдат во контакт со жица под напон може да ги „направат спроводливи“ металните делови на пилата за кастрење и да предизвикаат струен удар на операторот.

д) Носете заштита за очи. Се препорачува користење и на останата заштитна опрема за слухот, главата, рацете, нозете и стапалата. Соодветната заштитна опрема ќе ги намали телесните повреди од летечки остатоци или ненамерен контакт со ланецот на пилата.

е) Да не ја користите пилата за кастрење на дрво, на скали,

од покрив или нестабилна подлога. Користењето на пилата за кастрење на таков начин може да доведе до сериозна телесна повреда.

ф) Секогаш одржувајте правилна положба и користете ја пилата за кастрење само кога стоите на цврста, сигурна и рамна површина. Лизгавите или нестабилните површини може да предизвикаат губење на рамнотежата или контролата на пилата за кастрење.

г) Кога сечете оптегната гранка внимавајте на враќањето наназад. Кога ќе се ослободи напнатоста во влакната на дрвото гранката што се враќа назад може да го удри операторот и/или да ја исфрли пилата за кастрење надвор од контрола.

х) Обратете посебно внимание кога сечете грмушки и фиданки. Виткиот материјал може да го фати ланецот на пилата и да замавне кон вас или да ве исфрли од рамнотежа.

и) Носете ја пилата за кастрење со предната рачка со исклучена пила и подалеку од вашето тело. Кога ја транспортирате или складираате пилата за кастрење секогаш ставете го капакот за мечот. Правилното ракување со пилата за кастрење ќе ја намали веројатноста од ненамерен контакт со движечкиот ланец на пилата.

ј) Следете ги упатствата за подмачкување, затегнување на ланецот и менување на мечот и ланецот. Неправилно затегнатиот или подмачкан ланец може или да се скине или да ја зголеми шансата за повратен удар.

к) Одржувајте ги рачките суви, чисти и без масло и масти. Мрсните, маслени рачки се лизгави и предизвикаат губење на контролата.

л) Сечете само дрво. Да не ја користите пилата за кастрење за други цели. На пример: да не ја користите пилата за кастрење за сечење на метал, пластика, ѕидарија или недрвени градежни материјали. Користењето на пилата за кастрење за други намени може да доведе до опасна ситуација.

Следете ги сите инструкции кога чистите заглавен материјал, при складирање или сервисирање на пилата за кастрење. Проверете дали е исклучен прекинувачот и дали е отстрането акумулаторското пакување. Неочекуваното придвижување на пилата за кастрење при чистење на заглавен материјал или сервисирање може да доведе до сериозна телесна повреда.

Причини и спречување на повратен удар:

Повратен удар може да настане кога носот или врвот на мечот ќе допре некој предмет или кога ќе се затвори дрвото и ќе го приклезти ланецот на пилата во засекот.

Контактот со врвот во некои случаи може да предизвика ненадејна повратна реакција, враќајќи го мечот наназад кон операторот.

Приклезтувањето на ланецот долж врвот од мечот може брзо да го турне наназад мечот кон операторот.

Секоја од овие реакции може да предизвика да изгубите контрола на ланецот што може да доведе до сериозна телесна повреда. Да не се ослонувате исклучиво на сигурносните уреди вградени во пилата.

Како корисник на пила за кастрење треба да направите неколку чекори за да нема несреќи или повреди при сечењето.

Повратниот удар е резултат на неправилно користење на пилата за кастрење и/или неправилни работни процедури или состојби и може да се избегне со следниве мерки на претпазливост:

а) Фатете цврсто со палците и прстите околу рачките на пилата за кастрење, со двете раце на пилата и позиционирајте ги телото и раката за да им се спротивставите на силите на повратниот удар. Повратните сили може да ги контролира операторот ако се преземат соодветни мерки на претпазливост. Да не ја испуштате пилата за кастрење.

б) Не држете ги рацете многу далеку и не сечете над висината на рамениците. Ова спречува ненамерен контакт со врвот и овозможува подобра контрола на пилата за кастрење во неочекувани ситуации.

в) Користете мечови и ланци за замена одредени од производителот. Неправилната замена на мечовите и ланците може да предизвика кинење на ланецот и/или повратен удар.

д) Следете ги инструкциите за острење и одржување на производителот за моторната пила. Намалувањето на висината на ограничувачот на длабочина може да доведе до зголемување повратен удар.

ОСТАНАТИ БЕЗБЕДНОСНИ И РАБОТНИ УПАТСТВА

Се препорачува да сечете стебла на магарџа за сечење дрва или колевка кога ја користите машината за прв пат.

Врзување

Врзување само со јажица за апсорпција на енергија. Прицврстете го врзувачот само на јамката на јагето.

Не ја прикачувајте врвката на рачката, капакот на мечот или на друга точка на алатот.

Проверете дали сите штитници, рачки и граничникот на канџата се правилно поставени и се во добра состојба.

Лицата што ја користат пилата за кастрење треба да бидат со добро здравје. Пилата за кастрење е тешка па затоа операторот мора да биде физички подготвен.

Операторот треба да биде внимателен, да има добар вид, мобилност, рамнотежа и рачна уметност. Во случај на сомневање да не ја користите пилата за кастрење.

Не стартувајте со користење на пилата за кастрење сè додека немате јасно работно подрачје, стабилна основа и планирана патека за повлекување од дрвото што паѓа. Внимавајте на емисијата од магла од средството за подмачкување и пилевината. Носете маска или респиратор ако е потребно.

Да не сечете винова лоза и/или мали жбунови.

Секогаш држете ја пилата за кастрење со двете раце за време на работа. Цврсто фатете со палците и прстите околу рачките на пилата за кастрење. Десната рака мора да биде на задната рачка а левата рака на предната рачка.

Пред да ја стартувате пилата за кастрење проверете да не допира некој предмет.

Немојте да ја менувате пилата за кастрење на никаков начин или да користите додатоци или уреди кои не се одобрени од производителот за вашата пила за кастрење.

Треба да има комплет за прва помош кој содржи големи завои за рани и средства за довикување (на пр. свирче) во близина на операторот. Треба да има поголем, севкупен комплет во близина.

Неправилно затегнатиот ланец може да исконке од мечот и може да доведе до сериозна повреда или смрт. Должината на ланецот зависи од температурата. Често проверувајте ја затегнатоста на ланецот.

Треба да се навикнете на вашата нова пила за кастрење со правене на едноставни засеци на добро потрлено дрво. Ова правете го секогаш кога ја немате користено пилата одредено време. За да го намалите ризикот од повреда поврзана со допирањето на движечки делови, секогаш запрете го моторот, извадете го акумулаторското пакување и проверете дали сите движечки делови имаат запрено пред:

- чистење или расчистување на блокажа
 - оставање на машината без надзор
 - монтирање или отстранување на додатоци
 - проверка, вршење одржување или работење на машината
- Големината на работното подрачје зависи од работата што се врши како и од големината на дрвото или работното парче. На пример, соборувањето дрво побарува поголемо работно подрачје отколку другите сечења, на пр. скратување. Операторот треба да биде свесен и да ги има работите под контрола во работното подрачје.

Да не сечете со вашето тело во линија со мечот и ланецот. Ако доживеете повратен удар, тоа ќе спречи ланецот да дојде во контакт со вашата глава или тело.

Не се движете напред назад при сечење, оставете го ланецот да ја заврши работата. Ланецот треба да биде остар и не се обидувајте да го притискате ланецот низ засекот.

Да не ја притискате пилата на крајот од сечењето. Бидете подготвени да ја прифатите тежината од пилата како што се пресекува дрвото. Во спротивно може да дојде до сериозни повреди.

Да не ја запирате пилата за време на процесот на сечење.

Оставете ја пилата да работи сè додека не се извади од засекот. Не го фиксирајте прекинувачот во позиција он-вклучено кога ја користите пилата држејќи ја со рака.

Извадете го батеријскиот склоп пред отпочнување на каков и да е зафат врз машината.

⚠ ПРЕДУПРЕДУВАЊЕ! За да избегнете опасноста од пожар, од наранување или од оштетување на производот, коишто ги создава краток спој, не ја потопувајте во течност алатката, замениливата батерија или полначот и пазете во уредите и во батериите да не проникнуваат течности. Корозивни или електроспроводноливи течности, како солена вода, одредени хемикалии, избелувачки препарати или производи кои содржат избелувачки супстанции, можат да предизвикаат краток спој.

Користете исклучиво Систем M18 за полнење на батерии од M18 систем. Не користете батерии од друг систем.

Не ги отворајте насилно батериите и полначите, и чувајте ги само на суво место. Чувајте ги постојано суви.

Притиснете и потегнете

Реактивната сила дејствува секогаш во спротивна насока од правецот на движење на ланецот. Поради тоа операторот мора да биде подготвен да ја контролира тенденцијата на машината да одвлече (во едно движење напред) кога се сече со долната страна од мечот и да притисне наназад (во правец кон операторот) кога се сече со горната страна.

Заглавена пила во засекот

Запрете ја пилата за кастрење и обезбедете ја. Да не се обидуваат да ги истрелат ланецот и мечот надвор од засекот бидејќи може да се скине ланецот, кој може да замавне наназад и да го удри операторот. Оваа ситуација вообичаено се случува бидејќи дрвото е неправилно потрлено што го присилува засекот да се затвори под компресија и со тоа да го приклезти сечилото. Ако прилагодувањето на потпирањето не го ослободи

мечот и ланецот, користете дрвени клинови или лост за да го отворите засекот и да ја ослободите пилата. Никогаш не се обидувајте да ја стартувате пилата за кастрење ако мечот е веќе во засек или цепка.

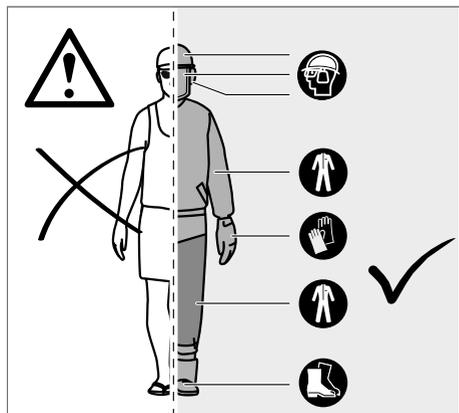
Лизгање / Отскокнување

Ако моторната пила не успее да се вклопа за време на сечење, мечот може да почне да скока или опасно да се лизга долж површината на стеблото или гранката доведувајќи до губење на контрола на моторната пила. За да го спречите или намалите лизгањето или отскокнувањето секогаш користете ја пилата со двете раце осигурувајќи се дека пилата прави жлеб за сечење. Никогаш не сечете мали, еластични гранки или грмушки со вашата пила за кастрење. Нивната големина и еластичност може лесно да предизвикаат пилата да отскокне кон вас или да стегне со доволна сила за да предизвика повратен удар. Најдобриот алат за таков вид на работа е рачна пила, ножици за кастрење, секира или други рачни алати.

Лична заштитна опрема

Носете шлем цело време додека работите со машината. Шлемот опремен со мрежест визир може да го намали ризикот од повреда на лицето и главата ако настане повратен удар. Носете штитник за уши.

Личната заштитна опрема со добар квалитет, како што користат професионалците, ќе го намали ризикот од повреда на операторот. Треба да се користат следните работи кога се работи со машината:



Сигурносен шлем

треба да се во согласност со EN 397 и да носи CE ознака

Заштита за слухот

треба да е во согласност со EN 352-1 и да носи CE ознака

Заштита за очи и лице

треба да носи CE ознака и да е во согласност со EN 166 (за заштитни очила) или EN 1731 (за мрежести визир)

Ракавици

треба да се во согласност со EN381-7 и да носат CE ознака

Заштита за носете (кожени штитници)

треба да е во согласност со EN 381-5 и да носи CE ознака и да обезбедува целокупна заштита треба да е во согласност со EN 381-5 и да носи CE ознака и да обезбедува целокупна заштита

Сигурносни чевли за пила за кастрење

треба да се во согласност со EN ISO 20345:2004 и да бидат означени со знак со нацртана пила за кастрење за да ја покажат усогласеноста со EN 381-3. (Повремено корисници може да користат сигурносни чевли со челично капаче со заштитни гамаша кои се во согласност со EN 381-9 ако подлогата е рамна и има мал ризик од сопнување или зафаќање во жбунови)

Јакни за пила за кастрење за заштита на горниот дел од телото

треба да се во согласност со EN 381-11 и да носат CE ознака

ЗАПОЗНАЈТЕ ЈА ВАШАТА ПИЛА ЗА КАСТРЕЊЕ

- | | |
|--|------------------------------------|
| 1 Предна рачка | 11 Граничник на канџа |
| 2 Преден рачен штитник | 12 Моторна пила |
| 3 Уред за блокирање | 13 Меч |
| 4 Вклучување во струја | 14 Жлеб на мечот |
| 5 Задна рачка | 15 Ланчаник |
| 6 Капаче за масло за подмачкување на ланецот | 16 Капак на погонскиот запченик |
| 7 Резервоар за масло за ланец | 17 Завртка за затегнување на ланец |
| 8 Заден рачен штитник | 18 завртка за монтирање на мечот |
| 9 Комбиниран клуч | 19 Капак на мечот |
| 10 Батерија | |

ПРЕДУПРЕДУВАЊЕ!

Последиците од неправилно одржување, отстранување или измена на сигурносните уреди, прекинувачот за палење, рачниот штитник (напред и назад), граничникот на канџата, фаќачот на ланецот, мечот, ланецот на пила со мал повратен удар, може да предизвикаат неправилно функционирање на сигурносните уреди и така зголемувајќи го потенцијалот за сериозна повреда.

Граничник на канџа

Интегрираниот граничник на канџата може да се користи како средиште кога правите засек. Тој ви помага да го одржувате стабилно телото на пилата за кастрење додека сечете. Кога сечете, притиснете ја машината напред сè додека канџата не се вклопа во работ на дрвото а потоа со движење на задната рачка нагоре или надолу во правецот на линијата на сечење може да помогне да се олесни физичкиот напор од сечењето.

Меч

Вообичаено, мечовите со врвови со мал радиус имаат помал потенцијал на повратен удар. Треба да користите меч и соодветен ланец кој е доволно долг за работата. Подолгите мечови го зголемуваат ризикот од губење на контрола за време на сечење. Редовно проверувајте ја затегнатоста на ланецот. Кога сечете помали гранки (помалку од целата должина на мечот) многу лесно може да се отфрли ланецот ако затегнатоста не е точна.

ИНСТРУКЦИИ ЗА ПРАВИЛНИ ТЕХНИКИ ЗА СОБОРУВАЊЕ НА ДРВО, КАСТРЕЊЕ И ПРЕСЕКУВАЊЕ

Разбирање на силите во дрвото

Ако ги разберете насочените притисоци и напони во дрвото може да ги намалите „прикљештувањата“ или барем да ги очекувате за време на сечење. Напнатоста во дрвото значи дека влакната се раздвоени и ако сечете во ова подрачје, „цапката“ или засекот ќе тежнее да се отвори како што поминува пилата. Ако стеблото се потпира на магарница за сечење дрва а крајот висе непотпрен, се создава напнатост на горната површина поради тежината на надвиснатото стебло истегнувајќи ги влакната. Исто така долната страна на стеблото ќе биде во компресија а влакната се притискаат едно во друго. Ако се направи засек во ова подрачје, цапката ќе има тенденција да затвори за време на сечењето. Ова ќе го прикљешти сечилото.

Кастрење на дрво

Кастрење е отстранување на гранките од соборено дрво. Кога кастрите оставете ги поголемите ниски гранки за да го потпрете стеблото на земјата. Отстранете ги малите гранки со едно сечење. Оптегнатите гранки треба да се сечат одоздола нагоре за да се избегне стегнување на пилата за кастрење.

Сечење на „камшици“

„Камшици“ е секое стебло, гранка, коренеста пенушка или фиданка која е оптегната од друго дрво така што отскокнува наназад ако се пресече или отстрани дрвото што ја држи.

Кај паднато дрво, коренеста пенушка има висок потенцијал

за отскокнување наназад во исправна позиција за време на скратувањето за одвојување на стеблото од трупецот. Внимавајте на камшици—тие се опасни.

ПРЕДУПРЕДУВАЊЕ! Камшиците се опасни и може да го удрат операторот, предизвикувајќи операторот да ја изгуби контролата на пилата за кастрење. Ова може да доведе до сериозни или смртни повреди на операторот. Ова треба да се прави од обучени корисници.

СПЕЦИФИЦИРАНИ УСЛОВИ НА УПОТРЕБА

Акумулаторската пила за кастрење е наменета само за надворешна употреба.

Поради безбедносни причини, пилата за кастрење мора соодветно да се контролира со двете раце цело време.

Пилата за кастрење е наменета за сечење на гранки, стебла, трупци и греди со пречник одреден од должината на сечење на мечот. Таа е наменета исклучиво за сечење на дрво. Треба да се користи само од страна на возрасни лица кои имаат добиено соодветна обука за опасностите и превентивните мерки/дејства додека ја користите пилата за кастрење.

Да не ја користите пилата за кастрење за други цели коишто не се наведени во одредените услови за употреба. Не треба да се користи за професионални дрвени услуги. Пилата за кастрење не треба да се користи од деца или од лица кои не носат соодветна лична заштитна опрема и облека.

ПРЕДУПРЕДУВАЊЕ! Кога ја користите пилата за кастрење мора да се почитуваат безбедносните правила. За ваша лична безбедност и безбедноста на присутните, мора да ги прочитате и целосно разберете овие инструкции пред да ја користите пилата за кастрење. Треба да посетувате професионално организирани безбедносни курсеви за употреба, превентивни дејства, прва помош и одржување на пилите за кастрење. Чувајте го ова упатство на сигурно и безбедно место за подоцнежна употреба.

ПРЕДУПРЕДУВАЊЕ! Пилите за кастрење се потенцијално опасни алати. Несреќите со употребата на пилите за кастрење често резултираат со губење на екстремитетите или смрт. Не претставава опасност само пилата за кастрење. Гранките што паѓаат, срушувачките дрвја и тркалчките трупци може исто така да убијат. Мртвите или трупите дрва поседуваат дополнителни опасности. Треба да ја процените вашата способност за безбедно завршување на работата. Во случај на сомнеж преплуштете му го тоа на професионален дрвен хирург.

Монтажа и приклучување на напојување

ОСТАТОЧНИ ОПАСНОСТИ

Дури и при уредна употреба на производот не можат во целост да се исклучат остатошни опасности. При употребата можат да се појават следниве ризици, поради кое што корисникот мора да обрати внимание на следново:

- Повреда предизвикана од вибрации
Секогаш користете го вистинскиот алат за работата. Користете соодветни рачки. Ограничете го работното време и изложеноста.
- Оштетување на слухот поради изложеност на бучава
Носете заштита за слухот и ограничете ја изложеноста.
- Повреда предизвикана преку контакт со изложен заб на ланецот од пилата
- Повреда предизвикана преку отфрлени делови од работното парче (дрвени деланки, парченца)
- Повреда предизвикана од прав и честички
- Повреда на кожата предизвикана преку контакт со средства за подмачкување
- Делови исфрлени од моторната пила (опасности од сечење/вбригување)
- Непредвидено, ненадејно движење или повратен удар од мечот (опасности при сечење)

НАМАЛУВАЊЕ НА РИЗИЦИТЕ

- Вибрациите од рачните алатки може да допринесат до состојба наречена Рејнодов синдром кај одредени лица. Симптомите може да вклучуваат морици, отрпнатост и

белеење на прстите, вообичаено присутно по изложеност на ладно. Последните фактори, изложеноста на ладно и влажност, дијета, пушење и работни практики исто така допринесуваат до развојот на овие симптоми. Има мерки коишто може да се преземат од страна на операторот за намалување на ефектите од вибрацијата:

- При ладно време одржувајте го топло вашето тело. Кога работите со уредот носете ракавици за да ги стоплите рацете и зглобовите.
- По секој период на работа, правете вежби за да ја зголемите циркулацијата на крвта.
- Правете чести паузи. Ограничете ја дневната изложеност.
- Заштитните ракавици достапни кај продавачи на професионални пили за кастрење се наменети специјално за употреба со пили за кастрење кои даваат заштита, добар стисок и исто така го намалуваат дејството од вибрациите на рачката. Овие ракавици треба да се во согласност со EN 381-7 и мора да ја имаат ознаката CE.

Ако почувствувате некои од симптомите на оваа состојба, веднаш престанете со работа и барајте го вашиот лекар.

ПРЕДУПРЕДУВАЊЕ! Од долготрајна употреба на алатот може да се предизвикаат повреди или да се влошат истите. Ако го користите некој алат подолго време правете редовни паузи.

УПАТСТВА ЗА ЛИТИУМ-ЈОНСКИ БАТЕРИИ

Употреба на литиум-јонски батерии

Батериите кои не биле користени подолго време треба да се наполнат пред употреба.

Температура повисока од 50°C (122°F) го намалуваат траењето на батериите. Избегнувајте подолго изложување на батериите на високи температури или сонце (ризик од прегревање).

Клемите на полначот и батериите мора да бидат чисти.

За оптимален работен век батериите мора да се наполнат целосно по употреба.

За можно подолг век на траење, апаратите после нивното полнење треба да бидат извадени од апаратот за полнење на батериите.

Во случај на складирање на батеријата подолго од 30 дена: Чувајте го акумулаторот на температура под 27°C и подалеку од влага

Акумулаторот да се складира на приближно 30%-50% од состојбата на наполнетост.

Акумулаторот повторно да се наполни на секои 6 месеци.

Заштита од преоптоварување на батеријата за литиум-јонски батерии

При преоптеретување на батеријата како резултат на мошне висока потрошувачка на струја, на пример екстремно високи вртежни моменти, ненадејно стопирање или краток спој, електро-алатот вибира 5 секунди, приказот за полнење трепка и електро-алатот самостојно се исклучува.

За повторно вклучување ослободете го притискачот на прекинувачот, а потоа повторно вклучете. Во случај на екстремни оптоварувања батеријата се загрева премногу. Во таков случај трепкаат сите ламбички од приказот за полнење сè додека батеријата не се излади. По гасење на приказот за полнење може да се продолжи со работа.

Транспорт на литиум-јонски батерии

Литиум-јонските батерии подлежат на законските одредби за транспорт на опасни материи.

Транспортот на овие батерии мора да се врши согласно локалните, националните и меѓународните прописи и одредби. Потрошувачите на овие батерии може да вршат непречен патен транспорт на истите.

Комерцијалниот транспорт на литиум-јонски батерии од страна на шпедитерски претпријатија подлежат на одредбите за транспорт на опасни материи. Подготовките за шпедиција

и транспорт треба да ги вршат исклучиво соодветно обучени лица. Целокупниот процес треба да биде стручно надгледуван.

При транспортот на батериите треба да се внимава на следното: Осигурајте се дека контактите се заштитени и изолирани, а сето тоа со цел да се избегнат кратки споеви.

Внимавајте да не дојде до измествување на батериите во нивната амбалажа. Забранет е транспорт на оштетени или протечени литиум-јонски батерии. За понатамошни инструкции обратете се до Вашето шпедитерско претпријатие.

РАБОТНИ УПАТСТВА

МОНТИРАЊЕ

Монтирање на ланецот и мечот

▲ ПРЕДУПРЕДУВАЊЕ! Да не ја користите машината ако некој дел е оштетен или недостасува сè додека не се замени истиот. Непочитувањето на ова предупредување може да доведе до сериозна телесна повреда.

Извадете го акумулаторот. Носете ракавици!

- Извадете ги завртките за монтирање на мечот користејќи го доставениот комбиниран клуч.
- Отстранете го капакот на ланецот.
- Ставете го ланецот во правилната насока на мечот и осигурајте се дека погонските алки се израмнети во жлебот на мечот.
- Прикачете го мечот на пилата за кастрење и замотајте го ланецот околу погонскиот запченик.
- Ставете го капакот за ланецот и повторно зашрафете ги завртките за монтирање на мечот.
- Џврсто затегнете ги завртките за монтирање на мечот. Мечот мора слободно да се движи за регулирање на затегнатоста на ланецот.
- Прилагодете ја затегнатоста на ланецот. Погледнете го поглавјето „Регулирање на затегнатоста на ланецот“.
- Фатете го врвот на мечот и добро затегнете ги завртките за монтирање на мечот.

▲ ПРЕДУПРЕДУВАЊЕ! Ланецот на пилата е остар. Секогаш носете заштитни ракавици кога го одржувате ланецот.

Регулирање на затегнатоста на ланецот

Пред да почнете со било каква работа на пилата за кастрење извадете го акумулаторското пакување.

За да се зголеми затегнатоста на ланецот, завртете ја завртката за затегнување на ланецот на десно и често проверувајте ја затегнатоста на ланецот. За да се намали затегнатоста на ланецот, завртете ја завртката за затегнување на ланецот на лево и често проверувајте ја затегнатоста на ланецот.

Затегнатоста на ланецот е правилна ако процепот помеѓу секачот во ланецот и мечот е околу 6,3 mm. Потегнете го ланецот во средината на долната страна од мечот на надолу (подалеку од мечот) и измерете го растојанието помеѓу мечот и секачите на ланецот. Затегнете ги завртките за монтирање на мечот со нивно вртење на лево.

Забелешка: Да не го затегнувате премногу ланецот - преголемата затегнатост ќе предизвика зголемено абеење и ќе го намали животниот век на ланецот и може да го оштети мечот. Новите ланци може да се истегнат и олабават за време на почетното користење. Извадете го акумулаторското пакување и често проверувајте ја затегнатоста на ланецот за време на првите два часа од употреба. Температурата на ланецот се зголемува за време на нормална работа предизвикувајќи да се истегне ланецот. Често проверувајте ја затегнатоста на ланецот и прилагодете како што е потребно. Ланецот затегнат додека е топол може да биде многу затегнат по ладење. Осигурајте се дека затегнатоста на ланецот е правилно прилагодена како што е наведено во овие инструкции.

Додавање на масло за подмачкување на ланецот

▲ ПРЕДУПРЕДУВАЊЕ! Никогаш не работете без средство за подмачкување на ланецот. Ако пилата работи без средство за подмачкување, мечот и ланецот може да се оштетат. Од суштинско значење е често да се проверува нивото на масло во инструментот за ниво на масло и пред да почнете да ја користите пилата за кастрење. Одржувајте го резервоарот повеќе од ¼ полн за да се осигурате дека има доволно масло за работата.

Забелешка: Се препорачува да користите масло за ланецот на растителна база кога кастрите дрвца. Минералното масло може да ги оштети дрвцата. Никогаш не користете отпадно автомобилско масло или многу густо масла. Тие може да ја оштетат пилата за кастрење. Исклучете ја површината околу капачето за масло за да спречите контаминација.

- Одвртете го и отстранете го капачето од резервоарот за масло.
- Иструете го маслото во резервоарот за масло и следете го инструментот за ниво на масло.
- Ставете го повторно капачето за масло и затегнете го. Избришете око има некое истрување.

Држење на пилата за кастрење

Секогаш држете ја пилата за кастрење со вашата десна рака на десната рачка а левата рака на предната рачка. Фатете ги двете рачки со палците и прстите заокружувајќи ги рачките.

Стартување на пилата за кастрење

Пред да ја стартувате пилата за кастрење треба да го ставите акумулаторот во пилата за кастрење.

Заштита од рестартирање

Алатот на струја се испорачува со заштита од рестартирање.

Ова спречува стартување на вклучениот алат на струја само од себе кога е вметнат акумулаторот и од рестартирање по исклучување на акумулаторот.

Ако мечот е надвор од дрвото исклучете ја машината, а потоа повторно вклучете ја со цел да продолжите да работите.

Ако мечот е во дрвото, почекајте додека целосно не запре моторната пила. Проверете дали прекинувачот е во положба „Исклучено“. Извадете го акумулаторот од машината и мечот од засекот. Ставете го акумулаторот, а потоа повторно вклучете ја машината за да продолжите да работите.

ТРАНСПОРТ И СКЛАДИРАЊЕ

Секогаш благо подмачкајте го ланецот кога го складираете за да спречите негово рѓосување. Секогаш испразнете го резервоарот за масло при складирање за да спречите истекување.

Запрете ја машината, извадете го акумулаторот и оставете да се олади пред складирање или транспорт.

Исклучете ги сите туѓи тела од машината. Складирајте ја машината на ладно, суво и добро проветрено место кое што не е пристапно за деца. Чувајте подалеку од корозивни средства како на пример хемикалии за градината и соли за одмрзување. Да не складираете надвор.

Ставете го капакот на мечот пред да ја складираете машината или за време на транспорт.

За транспорт во возила, осигурајте ја машината против движење или паѓање за да спречите повреда на лица или оштетување на машината.

ЧИШЌЕЊА

Чистете ја прашината и остатоците од отворите. Одржувајте ја рачката чиста, сува и без масло или мазира. Користете само благ сапун и влажна крпа за чистење, бидејќи одредени средства за чистење и растворувачи се штетни за пластика и други неизолирани делови. Некои од нив вклучуваат бензин, терпентин, разредувач за лак, разредувач за боја, хлорирани средства за чистење, амонијак и детергенти за домаќинството што содржат амонијак. Никогаш не користете запаливи или горливи растворувачи околу алатите.

ОДРЖУВАЊЕ

▲ ПРЕДУПРЕДУВАЊЕ! Користете само Milwaukee додатоци и резервни делови. Во спротивно може да дојде до можна повреда, да допринесе до слаби перформанси и може да ја поништи вашата гаранција.

Користете само Milwaukee додатоци и резервни делови. Доколку некои од компонентите кои не се опишани треба да бидат заменети, Ве молиме контактирајте ги сервисните агенти на Milwaukee (консултирајте ја листата на адреси).

▲ ПРЕДУПРЕДУВАЊЕ! Сервисирањето бара исклучително внимание и знаење и треба да го врши само квалификуван сервисен техничар. За сервисирање ви препорачуваме да ја однесете машината до најблиската сервисна станица на MILWAUKEE. Кога сервисирате користете само идентични делови за замена.

▲ ПРЕДУПРЕДУВАЊЕ! Извадете го акумулаторот пред прилагодување, одржување или чистење. Во спротивно може да дојде до сериозна телесна повреда. Може да правите прилагодувања или поправки опишани во прирачникот. За други поправки, контактирајте го овластениот сервисен агент.

Последниците од неправилното одржување може да предизвикаат неправилно функционирање на кочницата за ланецот и други безбедносни функции и така зголемувајќи ја можноста за сериозна повреда.

Чувајте ја пилата за кастрење професионално одржувана и безбедна. • Безбедното остреење на ланецот е задача која бара вештина. Затоа производителот строго препорачува да се замени изабен или затепан ланец со нов, достапен кај вашиот сервисен агент на MILWAUKEE. Бројот на делот е достапен во табелата со спецификации за производот во овој прирачник.

Следете ги инструкциите за подмачкување и проверка и регулирање на затегнатоста на ланецот.

По секоја употреба, исклучете ја машината со мека сува крпа.

Отстранете ги деланките, прашината и остатоците во акумулаторското крило.

Проверете ги сите завртки, болцни и навртки во чести интервали за безбедност за да се осигурате дека машината е во безбедна работна состојба. Секој оштетен дел треба соодветно да се поправи или замени од страна на сервисната служба на MILWAUKEE.

Замена на мечот и ланецот на пилата

Носете заштитни ракавици.

- Извадете го акумулаторот
- Извадете го капакот на мечот
- Извадете ги завртките за монтирање на мечот користејќи го доставениот комбиниран клуч.
- Отстранете го капакот на ланецот.
- Намалете ја затегнатоста на ланецот на пилата. Погледнете го делот „Прилагодување на затегнатоста на ланецот“.
- Извадете го стариот ланец со капакот на мечот
- Ставете го новиот ланец во правилната насока на мечот и осигурајте се дека погонските алки се израмнети во жлебот на мечот.
- Прикачете го мечот на пилата за кастрење и замотајте го ланецот околу погонскиот запченик.
- Заменете го капакот на погонскиот запченик и навртката за монтирање на мечот.
- Затегнете ја со прст навртката за монтирање на мечот.
- Мечот мора да биде слободен да се движи за прилагодување на затегнатоста на ланецот.
- Прилагодете ја затегнатоста на ланецот. Погледнете го поглавјето „Регулирање на затегнатоста на ланецот“.
- Фатете го врвот на мечот и добро затегнете ги завртките за монтирање на мечот.

▲ ПРЕДУПРЕДУВАЊЕ! Тап или неправилно наострен ланец може да предизвика прекумерна брзина на моторот за време на сечење кое може да доведе до сериозно оштетување на моторот.

▲ ПРЕДУПРЕДУВАЊЕ! Неправилното остреење на ланецот го зголемува потенцијалот за повратен удар.

▲ ПРЕДУПРЕДУВАЊЕ! Незаменувањето или непоправањето на оштетен ланец може да предизвика сериозна повреда.

▲ ПРЕДУПРЕДУВАЊЕ! Ланецот на пилата е остар. Секогаш носете заштитни ракавици кога го одржувате ланецот.

Одржување на мечот

Кога мечот ќе покаже знаци на абеење, превртете го мечот од долу на нагоре на пилата за да го распределите абеењето за максимален век на траење на мечот. Мечот треба да се чисти секој ден на употреба и да се проверува дали има абеење и оштетување. Создавањето гребени или нерамнини на шините на мечот е нормален процес на абеење на мечот. Ваквите дефекти треба да се измазнуваат со турпија веднаш штом ќе се појават.



Меч со кој било од следните дефекти треба да се замени.

- Абеење во шините на мечот што му дозволува на ланецот да лежи странично.
- Свиткан меч.
- Испукани или скршени шини.
- Проширени шини.

Неделно подмачкувајте ги мечовите со запченик на нивниот врв. Со помош на шприц за масноти, подмачкајте неделно во дупката за подмачкување. Свртете го мечот и проверете дали дупките за подмачкување и шините на мечот се без нечистотии.

План за одржување

Дневна проверка

Подмачкување на мечот	Пред секоја употреба
Затегнатост на ланецот	Пред секоја употреба и редовно
Наостреност на ланецот	Пред секоја употреба, визуелна проверка
За оштетени делови	Пред секоја употреба
За лабави затворачи	Пред секоја употреба
Меч	Пред секоја употреба
Комплетна пила	По секоја употреба

Делови за замена (Меч и ланец)

Производител	MILWAUKEE	OREGON
Ланец	4932 4801 76	90F033XTR
Меч	4932 4801 69	360804

Ланецот мора да биде монтиран со меч од ист производител според горните комбинации.

Експлозивен цртеж

Доколку е потребно можно е да биде набавен детален приказ на алатот. Ве молиме наведете го бројот на артикот како и типот на машина кој е отпечатен на етикетата и порачајте ја скицата кај локалниот застапник или директно кај: Techtronic Industries GmbH, Max-Eyth-Straße 10, 71364 Winnenden, Germany.

	Ве молиме пред да ја стартувате машината обрнете внимание на упатствата за употреба.
	ВНИМАНИЕ! ПРЕДУПРЕДУВАЊЕ! ОПАСНОСТ!
	Извадете го батерискиот склоп пред отпочнување на каков и да е зафат врз машината.
	Не ја изложувајте машината на дожд.
	Не користете со една рака
	Секогаш користете ја пилата за кастрење со две раце
	Носете безбедносни чевли со заштита од сечење, незлигав фон и челичен јазик!
	Носете ракавици!
	Секогаш носете заштитна облека и цврсти чевли.
	Носете заштитен шлем. Носете штитник за уши. Носете заштитни очила.
	Внимавајте на повратен удар од пила за кастрење и избегнувајте контакт со врвот на мечот
	Набљудувачите треба да бидат оддалечени најмалку 50 сантиметри за време на употреба.
	Резервоар за масло за ланец
	Вртете да ја прилагодите затегнатоста на ланецот
	Насока на движење на ланецот
	Дополнителна опрема - Не е вклучена во стандардната, а достапна е како додаток.



Не отстранувајте ги отпадните батерии, отпадната електрична и електронска опрема како несортиран комунален отпад. Отпадните батерии и отпадната електрична и електронска опрема мора да се собираат посебно. Отпадните батерии, отпадните акумулатори и отпадните извори на светлина треба да се отстранат од опремата. Проверете кај вашиот локален орган или продавач за совети за рециклирање и место за собирање. Во зависност од локалните регулативи, трговците на мало може да се обврзани бесплатно да ги преземаат искористените батерии, како и отпадната електрична и електронска опрема. Вашиот придонес за повторна употреба и рециклирање на отпадните батерии и отпадната електрична и електронска опрема помага да се намали побарувачката на сировини. Отпадните батерии, посебно оние што содржат литиум, и отпадната електрична и електронска опрема содржат вредни материјали за рециклирање, кои може негативно да влијаат на животната средина и на здравјето на луѓето доколку не се отстранат на еколошки компатибилен начин. Избришете ги личните податоци од отпадната опрема, доколку ги има.



Гарантирано ниво на јачина на звук 79 dB(A)



Брзина на ланец на празно



Напон



Истосмерна струја



Европска ознака за сообразност



Британска ознака за сообразност



Украинска ознака за сообразност



Евроазиска ознака за сообразност

ТЕХНИЧНИ ХАРАКТЕРИСТИКИ

	M18 FHS20
Тип конструкції	пила для обрізання гілок
Номер виробу	4916 50 01 XXXXXX MJJJJ
Напруга знімної акумуляторної батареї	18 V =
Швидкість ланцюга без навантаження	4,8 m/s
Довжина планки макс.	8" / 200 mm
Доступна довжина розрізання	7,4" / 189 mm
Ємність баку для змащування ланцюга	77 ml
Вага згідно з процедурою EPTA 01/2014 01/2014 (Li-Ion 2.0 Ah .. 12.0 Ah)	2,8 kg 3,9 kg
Температура навколишнього середовища, рекомендована для експлуатації	-18 ... +50 °
Рекомендовані акумулатори	M18B...; M18HB...
Рекомендовані зарядні пристрої	M12-18...; M1418C6

Інформація про шум: Виміряні значення визначені згідно з EN 62841. Рівень шуму "A" приладу становить в типовому випадку:

Рівень звукового тиску / похибка K = 81 dB (A) / 3 dB (A)
Рівень звукової потужності / похибка K = 89 dB (A) / 3 dB (A)

Використовувати засоби захисту органів слуху!

Інформація щодо вібрації: Сумарні значення вібрації (векторна сума трьох напрямків), встановлені згідно з EN 62841.

Значення вібрації a_n / похибка K = 4,9 m/s² / 1,5 m/s²

ПОПЕРЕДЖЕННЯ!

Заявлені значення шумового випромінювання, вказані в цьому інформаційному аркуші, було виміряно відповідно до стандартизованого випробування згідно з EN 62841 та можуть використовуватися для порівняння одного інструмента з іншим. Вони також можуть використовуватися для попередньої оцінки рівня впливу на організм.

Вказані значення вібрації та шумового випромінювання дійсні для основних областей застосування інструмента. Якщо інструмент використовується в інших областях застосування чи з іншим приладом або не проходить належне обслуговування, значення вібрації та шумового випромінювання можуть відрізнятись. Це може суттєво збільшити рівень впливу на організм протягом загального періоду роботи.

Під час оцінки рівня впливу вібрації та шумового випромінювання на організм також необхідно враховувати періоди, коли інструмент вимкнено, чи коли він працює, але фактично не використовується для виконання роботи. Це може суттєво знизити рівень впливу на організм протягом загального періоду роботи.

Визначте додаткові заходи для захисту оператора від впливу вібрації та/або шуму, наприклад, обслуговування інструмента та його приладдя, зберігання рук у теплі, організація графіків роботи.

Користуйтеся засобами захисту органів слуху. Вплив шуму може спричинити втрату слуху.

ПОПЕРЕДЖЕННЯ! Ознайомтеся з усіма вказівками щодо техніки безпеки, інструкціями, ілюстраціями та відомостями, що було надано разом із приладом. Недотримання наведених далі інструкцій може спричинити ураження електричним струмом, пожежу та/або тяжкі травми. **Зберігайте всі вказівки з техніки безпеки та інструкції на майбутнє.**

ЗАГАЛЬНІ ПРАВИЛА БЕЗПЕКИ ПІД ЧАС РОБОТИ З ПИЛОЮ ДЛЯ ОБРІЗАННЯ ГІЛОК

- a) Під час роботи тримайте всі частини тіла на безпечній відстані від пили для обрізання гілок. Перед запуском пили для обрізання гілок переконайтеся в тому, що вона ні з чим не контактує. Неуважність під час роботи може призвести до затягування одягу чи частин тіла в пилу для обрізання гілок.
- b) Завжди тримайте пилу для обрізання гілок правою рукою за задню ручку та лівою рукою за передню ручку. Якщо тримати пилу для обрізання гілок, поставивши руки навпаки, це підвищує ризик травмування, тому в жодному разі так не робіть.
- c) Тримайте пилу для обрізання гілок лише за ізольовані поверхні, тому що ланцюг пили може увійти в контакт із прихованими дротами. У разі контакту пили для обрізання гілок з електропроводкою під напругою неізольовані металеві частини інструмента можуть також опинитися під напругою, що може спричинити ураження оператора електричним струмом.
- d) Носіть засоби захисту очей. Також рекомендується носити засоби захисту для вух, голови, рук, ніг і стоп. Належні засоби захисту зменшують ризик травмування внаслідок вилітання часток або випадкового контакту з ланцюгом пили.
- e) Не працюйте з пилою для обрізання гілок, стоячи на дереві, на драбині, на даху чи на будь-якій нестійкій опорі.

Робота з пилою для обрізання гілок в таких умовах може призвести до важких травм.

- f) Завжди надягайте належне взуття та під час роботи з пилою для обрізання гілок стійте на стійкій, стабільній та рівній поверхні. На слизьких або нестійких поверхнях ви можете втратити рівновагу або контроль над пилою для обрізання гілок.
- g) Розрізаючи заготовку, що знаходиться під натягом, застерігайтеся відскакування. Коли натяг волокон деревини щезає, підпружинена заготовка може вдарили оператора та/або вивести пилу для обрізання гілок з-під контролю.
- h) Будьте надзвичайно обережні, перерізаючи тонкі гілки та суки. Тонкий матеріал може застопорити ланцюг пили, матеріал може бути викинуто в вашу сторону, або ви можете втратити рівновагу.
- i) Носіть пилу для обрізання гілок за передню ручку, в вимкненому стані та на безпечній відстані від тіла. Під час транспортування чи зберігання пили для обрізання гілок завжди встановлюйте кришку напрямної планки. Належне поведження з пилою для обрізання гілок зменшує вірогідність випадкового контакту з ланцюгом пили, що обертається.
- j) Дотримуйтеся інструкцій щодо змащування та натягування ланцюга, а також щодо заміни планки та ланцюга. Неправильне натягування чи змащування ланцюга може спровокувати або збільшити вірогідність зворотного удару.
- k) Ручки повинні бути сухими, чистими та не забрудненими маслом і мастилом. Слизькі, забруднені маслом і мастилом ручки можуть призвести до втрати контролю.
- l) Розрізайте лише деревину. Використовуйте пилу для обрізання гілок лише за призначенням. Наприклад, не використовуйте пилу для обрізання гілок для розрізання металу, пластмаси, каменю чи будівельних матеріалів не

на основі деревини. Використання пили для обрізання гілок для виконання робіт не за призначенням може спровокувати небезпечну ситуацію.

Дотримуйтеся всіх інструкцій під час очищення затисненого матеріалу, а також під час зберігання чи обслуговування пили для обрізання гілок. Переконайтеся в тому, що вимикач вимкнено, а акумулятор вийнято. Непередбачений запуск пили для обрізання гілок під час очищення затисненого матеріалу чи обслуговування може спричинити важкі травми.

Прийми зворотного удару та способи його уникнення.

Зворотний удар може статися в тому випадку, якщо кінець або наконечник напрямної планки торкнеться об'єкта чи якщо деревина затисне та застопорить ланцюг пили під час розрізання.

Контакт із наконечником у деяких випадках може спричинити раптову зворотну реакцію, підкинувши напрямну планку вгору та назад у бік оператора.

Затискання ланцюга пили в верхній частині напрямної планки може створити зусилля, яке швидко викине планку в бік оператора.

Будь-яка з цих реакцій може спричинити втрату контролю над пилою з вашого боку, що може призвести до важких травм. Не покладайтеся виключно на пристрій безпеки, встановлені в пилі. Як користувач пили для обрізання гілок ви маєте вживати певні заходи для уникнення нещасних випадків і травм під час розрізання.

Зворотний удар є результатом неналежного використання пили для обрізання гілок та/або неналежних робочих процедур чи умов. Для його уникнення потрібно вживати належних заходів безпеки, вказаних нижче.

а) Міцно тримайте інструмент таким чином, щоб усі пальці охоплювали ручки пили для обрізання гілок, а також ставайте так, щоб ваше тіло та рука витримували силу зворотного удару. Оператор може контролювати зусилля зворотного удару, якщо вживати належні заходи безпеки. Не випускайте пилу для обрізання гілок із рук.

б) Не піднімайте пилу над головою та не виконуйте розрізання вище рівня плечей. Це допомагає уникнути непередбаченого контакту з наконечником та забезпечує кращий контроль над пилою для обрізання гілок в аварійних ситуаціях.

в) Використовуйте лише змінні напрямні планки та ланцюги, вказані виробником. Використання неправильних змінних напрямних планок і ланцюгів може спричинити поломку ланцюга та/або зворотний удар.

д) Дотримуйтеся наданих виробником інструкцій щодо заточування й обслуговування ланцюга пили. Зменшення висоти глибиноміра може збільшити вірогідність зворотного удару.

ДОДАТКОВІ ІНСТРУКЦІЇ З ТЕХНІКИ БЕЗПЕКИ ТА ЕКСПЛУАТАЦІЇ

Під час першої експлуатації машини рекомендується розрізати колоди на козлах або на опорі.

Закріплення

Закріплення здійснюється лише за допомогою енергопоглинаючих ременів. Прикріплюйте ремінець лише до петлі для ременів.

Не прикріплюйте фіксатор до ручки, кришки напрямної планки або будь-якої іншої точки на інструменті.

Переконуйтеся в тому, що всі захисні щитки, ручки та зубчастий упор правильно встановлено та знаходяться в належному стані.

Особи, що використовують пилу для обрізання гілок, повинні мати належний стан здоров'я. Пила для обрізання гілок має велику вагу, тому оператор має бути у добрій фізичній формі.

Оператор повинен бути пильним, мати добрий зір, бути рухливим, мати рівновагу та спритні руки. За наявності будь-яких сумнівів не експлуатуйте пилу для обрізання гілок.

Не запускайте пилу для обрізання гілок, доки ви не матимете чисте робоче місце, безпечну опору та передбачений шлях відходу від дерева, що падає. Слідкуйте за виділенням парів мастила та пилу від розпилювання. За необхідності носіть маску чи респиратор.

Не розрізайте виноградну лозу та невелику памолодь.

Під час роботи завжди тримайте пилу для обрізання гілок обома руками. Усі пальці повинні міцно охоплювати ручки пили для обрізання гілок. Тримайте пилу правою рукою за задню ручку та лівою рукою за передню ручку.

Перед запуском пили для обрізання гілок переконайтеся в тому, що вона ні з чим не контактує.

Не вносьте будь-які модифікації в конструкцію пили для обрізання гілок та не використовуйте її з будь-якими насадками чи пристроями, не затвердженими виробником для вашої пили для обрізання гілок.

Поблизу робочого місця оператора повинен бути комплект першої допомоги, який містить пов'язки на випадок великих травм, а також засоби для привертання уваги (наприклад, свистки). Більш розширений комплект повинен знаходитися на відстані зручної доступності.

Неправильно натягнутий ланцюг може зіскочити з напрямної планки та призвести до важкої травми чи смерті. Довжина ланцюга залежить від температури. Якомога частіше перевіряйте натяг.

Ви повинні звикнути до нової пили для обрізання гілок, виконуючи розрізи спочатку на безпечно зафіксованих колодах. Обов'язково почніть із цього, якщо ви користуєтеся пилою вперше. Щоб знизити ризик травм, пов'язаних із контактом з рухомими частинами, завжди зупиняйте двигун, виймайте акумулятор і переконайтеся в тому, що всі рухомі частини зупинилися, перш ніж виконувати вказані нижче дії.

- виконувати очистку чи видаляти об'єкти, що блокують рух;
- залишати машину без нагляду;
- встановлювати чи знімати приладдя;
- виконувати перевірку чи обслуговування, а також працювати з машиною.

Розмір робочої зони залежить від виконуваної роботи, а також від розміру дерева чи заготовки, які розрізаються. Наприклад, щоб звалити дерево, необхідна робоча зона більшого розміру, ніж для виконання інших робіт, наприклад для розкривання колод тощо. Оператор повинен бути пильним і контролювати все, що відбувається в робочій зоні.

Під час розрізання не ставайте на одній лінії з ланцюгом або напрямною планкою. У разі зворотного удару це дозволить уникнути контакту ланцюга з вашим тілом або головою.

Не виконуйте пилою зворотно-поступальні рухи, нехай пила працює самостійно. Заточуйте ланцюг і не намагайтеся притискати пилу до заготовки.

Не тисніть на пилу наприкінці розрізання. Будьте готові втримати вагу пили, коли вона остаточно розплигає деревину. В іншому разі може статися тяжке поранення.

Не зупиняйте пилу посеред операції розрізання.

Пила повинна працювати, доки вона не вийде з розрізу повністю. Не фіксувати вимикач в режимі з ручним примусовим спрямуванням пилки.

Перед будь-якими роботами на приладі вийняти змінну акумуляторну батарею.

⚠ ПОПЕРЕДЖЕННЯ! Для запобігання небезпеці пожежі в результаті короткого замикання, травмам і пошкодженню виробів не занурюйте інструмент, змінний акумулятор або зарядний пристрій у рідину і не допускайте потрапляння рідини всередину пристроїв або акумуляторів. Корозійні і струмопровідні рідини, такі як солоний розчин, певні хімікати, вибілювальні засоби або продукти, що їх містять, можуть призвести до короткого замикання.

Знімні акумуляторні батареї системи M18 заряджати лише зарядними пристроями системи M18. Не заряджати акумуляторні батареї інших систем.

Не відкривайте знімні акумуляторні батареї і зарядні пристрої та зберігати їх лише в сухих приміщеннях. Беріть від волого.

Затягування та штовхання

Реактивне зусилля завжди спрямоване в протилежний від напрямку руху ланцюга бік. Тому оператор повинен бути готовий контролювати тенденцію машини до затягування вперед (в напрямку руху пили) під час розрізання нижньою

частиною планки та до відштовхування (в бік оператора) під час розрізання верхньою частиною планки.

Затискання пили в розрізі

Зупиніть пилу для обрізання гілок та вживіть заходи безпеки. Не намагайтеся застосувати силу до ланцюга чи планки, тому що це з високою імовірністю призведе до пошкодження ланцюга, який в результаті може відскочити назад і вдарити оператора. Частіше за все причиною затискання є неправильна опора для заготовки, через що виникає зусилля стискання, яке звужує розріз і тим самим спричиняє затискання. Якщо регулювання опори не дозволяє вивільнити планку та ланцюг, розкрийте розріз за допомогою дерев'яних клинчиків або важеля та вивільніть пилу. У жодному разі не запускайте пилу для обрізання гілок, якщо напрямна планка вже знаходиться в розрізі чи пропилі.

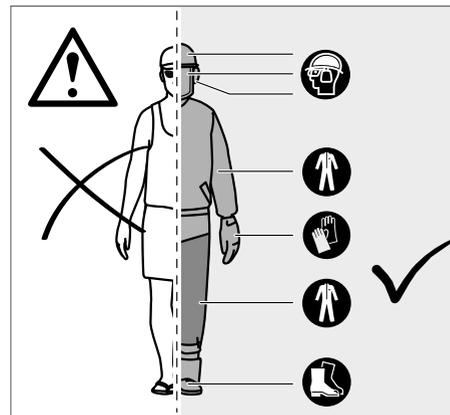
Ковзання/підскакування

Якщо пила для обрізання гілок не може зануритися вглиб розрізу, напрямна планка може почати підскакувати або небезпечно ковзати по поверхні колоди чи гілки, що може призвести до втрати контролю. Щоб уникнути ковзання чи підскакування, завжди тримайте пилу обома руками та працюйте так, щоб ланцюг пили формував канавку для розрізання. У жодному разі не розрізайте пилою невеликі гнучкі гілки чи пагони. Через їхній розмір і гнучкість пила може легко відскочити в ваш бік або застопоритися з достатнім для зворотного удару зусиллям. Для цих робіт ідеальним інструментом є ручна пила, секатор, сокира та інші ручні інструменти.

Використання захисного обладнання

Під час роботи з машиною завжди носіть каску. Каска з сітчастим окуляром допоможе знизити ризик травмування обличчя та голови у разі зворотного удару. Використовувати засоби захисту органів слуху!

Високоякісні професійні засоби індивідуального захисту допоможуть знизити ризик поранення оператора. Під час роботи з машиною необхідно носити вказані нижче засоби захисту.



Захисна каска

повинна відповідати нормам EN 397 і мати маркування CE

Засоби захисту органів слуху

повинні відповідати нормам EN 352-1 і мати маркування CE

Засоби захисту очей і обличчя

повинні відповідати нормам EN 166 (для захисних окулярів) або EN 1731 (для сітчастих окулярів) і мати маркування CE

Рукавиці

повинні відповідати нормам EN 381-7 і мати маркування CE

Засоби захисту ніг (гамаші)

повинні відповідати нормам EN 381-5, мати маркування CE та забезпечувати всебічний захист відповідні нормам EN 381-5, мати маркування CE та забезпечувати всебічний захист

Захисні чоботи для роботи з пилою для обрізання гілок

Вони повинні відповідати нормам EN ISO 20345:2004 та

мати маркування у вигляді щитка з зображенням пили для обрізання гілок відповідно до стандарту EN 381-3. (Нерегулярні користувачі можуть використовувати захисні чоботи зі сталевими носками та захисні краги, що відповідають нормам EN 381-9, якщо вони працюють на рівній поверхні та якщо є лише незначний ризик затискання чи гальмування внаслідок контакту з невеликими пагонами)

Жилети для роботи з пилою для обрізання гілок для захисту верхньої частини тіла

повинні відповідати нормам EN 381-11 і мати маркування CE

ВИВЧИТЬ СВОЮ ПИЛУ ДЛЯ ОБРІЗАННЯ ГЛОК

1	Передня ручка	11	Зубчастий упор
2	Передній щиток для захисту руки	12	Ланцюг пили
3	Кріпильний пристрій	13	Напрямна планка
4	Вимикач живлення	14	Прорізь планки
5	Задня ручка	15	Привід ланцюга
6	Ковпачок мастила для ланцюга	16	Кришка півного колеса
7	Бачок оливи для змащування ланцюга	17	Гвинт натягування ланцюга
8	Задній щиток для захисту руки	18	монтажна гайка планки
9	Комбінований ключ	19	Кришка напрямної планки
10	Акумуляторна батарея		

⚠ ПОПЕРЕДЖЕННЯ!

Неналежне обслуговування, видалення чи модифікація запобіжних елементів, таких як перемикач запалювання, щиток для захисту рук (передній і задній), зубчастий упор, обмежувач ланцюга, напрямна планка, ланцюг пили зі зменшеним зворотним ударом, можуть призвести до неправильної роботи цих захисних елементів, підвищуючи ризик важкого поранення.

Зубчастий упор

Вмонтований зубчастий упор можна використовувати як опору. Він допомагає підтримувати стабільність корпусу пили під час розрізання. Під час розрізання штовхайте машину вперед, доки упор не зітхне з деревиною, а потім перемістіть задню ручку вгору чи вниз в напрямку лінії розрізу: це допоможе послабити фізичне навантаження.

Напрямна планка

За загальним правилом напрямні планки з наконечниками малого радіусу менше схильні до зворотного удару. Необхідно використовувати напрямну планку та відповідний ланцюг, довжина яких достатня для виконання роботи. Використання планок більшого розміру, ніж необхідно, підвищує ризик втрати контролю під час розпилювання. Регулярно перевіряйте натяг ланцюга. Під час розрізання невеликих гілок (менших за повну довжину планки) існує більша вірогідність того, що ланцюг буде скинуто через неправильний натяг.

ІНСТРУКЦІЇ ЩОДО НАЛЕЖНОЇ ТЕХНІКИ ЗВАЛЮВАННЯ ДЕРЕВ, ОБРІЗАННЯ ГЛОК ТА ПОПЕРЕЧНОГО РОЗРІЗАННЯ

Розуміння сил, що виникають всередині деревини

Коли ви розумієте напрямлений тиск та напругу всередині деревини, ви можете зменшити вірогідність затискання чи принаймні очікувати його під час розрізання. Натяг всередині деревини означає, що волокна розтягуються, і під час розрізання в певній області пропил або розріз має тенденцію до розкривання по мірі проходження пили. Якщо колода лежить на козлах, а кінці звисають без опори, натяг створюється на верхній поверхні під дією ваги колоди, що звисає з боків, яка розтягує волокна. Аналогічним чином нижня частина колоди піддається стисканню, і волокна спресовуються. Якщо робити розріз в цій області, прорізь має тенденцію до закривання. Це спричинить затискання леза.

Обрізання гілок

Після звалювання дерева виконується обрізання гілок. Під час цієї процедури оминають великі нижні гілки, щоб вони підтримували колоду над землею. Обрізайте невеликі гілки за один раз. Гілки, які піддаються навантаженню, необхідно обрізати знизу угору, щоб уникнути затискання пили для обрізання гілок.

Розрізання пружних гілок

Пружні гілки — це будь-які колоди, гілки, вкорінені пні або суки, які гинуть під вагою іншої деревини та які можуть sprужинити, якщо обрізати чи видалити деревину, яка їх утримує.

Коли ви розрізаєте деревину, щоб відокремити колоду від пня, існує висока ймовірність того, що вкорінений пеня зваленого дерева під дією сили пружності відскочить назад у вертикальне положення. Слідкуйте за пружними гілками, вони вкрай небезпечні.

ПОПЕРЕДЖЕННЯ! Пружні гілки є джерелом небезпеки і можуть ударити оператора, через що він може втратити контроль над пилою для обрізання гілок. Це може спричинити важкі поранення та навіть смерть оператора. Ці роботи повинні виконуватися навченими операторами.

ВИКОРИСТАННЯ ЗА ПРИЗНАЧЕННЯМ

Бездротова пила для обрізання гілок призначена лише для використання поза приміщеннями.

Із міркувань безпеки необхідно належним чином контролювати пилу для обрізання гілок, завжди тримаючи її двома руками.

Пилу для обрізання гілок призначено для розрізання гілок, стовбурів, колод і балок, діаметр яких визначається довжиною різальної частини напрямної планки. Її призначено лише для деревини. До використання допускаються лише дорослі особи, які пройшли належний інструктаж щодо небезпек і запобіжних дій/заходів, які необхідно вживати під час роботи з пилою для обрізання гілок.

Не використовуйте пилу для обрізання гілок для виконання будь-яких робіт, не вказаних у наведених умовах використання. Її не можна використовувати для професійної роботи з деревами. Дітям і особам, що не мають належного одягу та засобів індивідуального захисту, заборонено використовувати пилу для обрізання гілок.

ПОПЕРЕДЖЕННЯ! Під час використання пили для обрізання гілок дотримуйтеся правил безпеки. Для вашої власної безпеки та безпеки осіб, що знаходяться поблизу, необхідно прочитати та повністю зрозуміти ці інструкції перед експлуатацією пили для обрізання гілок. Вам необхідно відвідати професійно організований курс техніки безпеки щодо використання, запобіжних заходів, першої допомоги та обслуговування пили для обрізання гілок. Зберігайте ці інструкції в безпечному місці для подальшого використання.

ПОПЕРЕДЖЕННЯ! Пилу для обрізання гілок є потенційно небезпечними інструментами. Нещасні випадки, пов'язані з використанням пил для обрізання гілок, часто закінчуються втратою кінцівок або смертю. Однак пила для обрізання гілок не є єдиним джерелом небезпеки. Падіння гілок або дерев, а також скочування колод можуть призвести до смерті. Пошкоджена хворобою чи трухлява деревина становить додаткову небезпеку. Ви повинні оцінити свою здатність до безпечного виконання роботи. У разі будь-яких сумнівів доручіть її професійному санітару лісу.

Збірка та підключення до джерела живлення

ЗАЛИШКОВІ НЕБЕЗПЕКИ

Навіть при належному застосуванні виробу неможливо повністю виключити залишкові ризики. При використанні можуть виникати наступні ризики, і тому користувач повинен звертати увагу на наступне:

- Поранення, спричинені вібрацією
- Завжди користуйтеся правильним інструментом для певної роботи. Користуйтеся призначеними ручками. Обмежуйте

робочий час і вплив машини.

- Ушкодження органів слуху через вплив шуму
- Носіть засоби захисту органів слуху й обмежуйте вплив машини.
- Поранення внаслідок контакту з відкритими зубцями ланцюга
- Поранення внаслідок вилітання часток заготовки (скалки, улаки деревини)
- Поранення, спричинені пилом і дрібними частками
- Ушкодження шкіри внаслідок контакту з мастилами
- Деталі, що виступають із ланцюга пили (небезпека проколювання/розрізання шкіри)
- Непередбачені різкі рухи чи зворотний удар від напрямної планки (небезпека розрізання шкіри)

ЗНИЖЕННЯ РИЗИКІВ

- Є повідомлення про те, що вібрація від ручних приладів може спричиняти в деяких осіб стан, відомий як хвороба Рейно. Симптомами можуть бути дзвін у вухах, заніміння, побліпіння пальців, що особливо проявляється під дією холоду. Спадкові фактори, вплив низьких температур і високої вологості, харчування, куріння та робочі процедури — все це також сприяє розвитку цих симптомів. Нижче наведено заходи, які оператор має вживати, щоб зменшити цей вплив вібрації.
- У холодну погоду тримайте тіло в теплі. Під час роботи з пристроєм носіть рукавиці, щоб руки та зап'ястя були в теплі.
- Після кожного робочого періоду робіть вправи для стимуляції кровообігу.
- Робіть часті перерви. Обмежуйте щоденний період впливу машини.
- Захисні рукавиці, які можна придбати в професійних продавців пил для обрізання гілок, розроблено спеціально для роботи з цими інструментами, і вони забезпечують захист і міцний захват, а також знижують вплив вібрації ручки. Такі рукавиці повинні відповідати стандарту EN 381-7 та мати маркування CE.

Якщо ви відчуваєте симптоми цієї хвороби, негайно припиніть використання та зверніться до лікаря.

ПОПЕРЕДЖЕННЯ! Тривале використання інструмента може спричинити чи погіршити поранення. Якщо інструмент використовується протягом тривалого часу, обов'язково робіть регулярні перерви.

ВКАЗІВКИ ЩОДО ЛІТІЙ-ІОННИХ АКУМУЛЯТОРІВ

Застосування літій-іонних акумуляторів

Змінну акумуляторну батарею, що не використовувалася тривалий час, перед використанням необхідно підзарядити. Температура понад 50 °C зменшує потужність змінної акумуляторної батареї. Уникайте тривалого нагрівання сонячними променями або системою обігріву.

З'єднувальні контакти зарядного пристрою та змінної акумуляторної батареї повинні бути чистими. Для забезпечення оптимального строку експлуатації акумуляторної батареї після використання необхідно повністю зарядити.

Для забезпечення максимального можливого терміну експлуатації акумуляторної батареї після зарядки необхідно виймати з зарядного пристрою.

При зберіганні акумуляторної батареї понад 30 днів: Зберігайте акумулятор у місці, де температура не перевищує 27°C і куди не потрапляє волога.

Зберігати акумуляторну батарею в стані зарядки приблизно 30-50 %.

Кожні 6 місяців знову заряджати акумуляторну батарею.

Захист від перевантаження літій-іонних акумуляторів

У випадку перевантаження акумуляторної батареї внаслідок дуже високого споживання струму, наприклад, надмірно високого крутного моменту, раптової зупинки або короткого замикання, електронний пристрій відріє 5 секунд, індикатор заряду блимає, електронний пристрій самостійно вимикається.

Для повторного увімкнення відпустити кнопку вимикача і знов увімкнути. При надмірних навантаженнях акумуляторна батарея сильно перегрівється. В цьому випадку всі лампочки індикатора заряду блимають, доки акумуляторна батарея не охолоне.

Можна продовжити роботу після того, як індикатор заряду згасне.

Транспортування літій-іонних акумуляторних батарей

Літій-іонні акумуляторні батареї підпадають під заборону положення про перевезення небезпечних вантажів.

Транспортування таких акумуляторних батарей повинно відбуватися із дотриманням місцевих, національних та міжнародних приписів та положень.

споживачі можуть без проблем транспортувати ці акумуляторні батареї по вулиці.

Комерційне транспортування літій-іонних акумуляторних батарей експедиторськими компаніями підпадає під положення про транспортування небезпечних вантажів. Підготовку до відправлення та транспортування можуть здійснювати виключно особи, які пройшли відповідне навчання. Весь процес повинні контролювати кваліфіковані фахівці.

При транспортуванні акумуляторних батарей необхідно дотримуватися зазначених далі пунктів:

Переконайтеся в тому, що контакти захищені та ізольовані, щоб запобігти короткому замиканню.

Слідкуйте за тим, щоб акумуляторна батарея не переміщувалася всередині упаковки. Пошкоджені акумуляторні батареї, або акумуляторні батареї, що потекли, не можна транспортувати. Для отримання подальших вказівок звертайтеся до своєї експедиторської компанії.

ВКАЗІВКИ ЩОДО ЕКСПЛУАТАЦІЇ

СКЛАДАННЯ

Складання ланцюга пили та напрямної планки

ПОПЕРЕДЖЕННЯ! Якщо будь-які деталі пошкоджені чи відсутні, не використовуйте машину до заміни цих деталей. В іншому разі можливе важке поранення.

Обов'язково вийміть акумулятор. Носити захисні рукавиці!

1. Зніміть монтажні гайки планки за допомогою комбінованого ключа, який надано в комплекті.
2. Зніміть кришку ланцюга.
3. Надягніть ланцюг у правильному напрямку на планку та переконайтеся в тому, що привідні ланки рівно розташовані в прорізі планки.
4. Прикріпіть планку до пили для обрізання гілок та надягніть ланцюг по колу на південне колесо.
5. Установіть кришку ланцюга та монтажні гайки планки назад.
6. Уручну затягніть монтажні гайки планки. Планка повинна вільно переміщуватися для налаштування натягу ланцюга.
7. Налаштуйте натяг ланцюга. Див. розділ «Налаштування натягу ланцюга».
8. Тримайте напрямну планку наконечником угору та міцно затягніть монтажні гайки планки.

ПОПЕРЕДЖЕННЯ! Ланцюг пили гострий. Під час обслуговування ланцюга завжди носіть захисні рукавиці. Налаштування натягу ланцюга

Перед початком будь-яких робіт із пилою для обрізання гілок вийміть акумулятор.

Щоб збільшити натяг ланцюга, обертайте гвинт натягування ланцюга за годинниковою стрілкою та часто перевіряйте натяг. Щоб зменшити натяг, обертайте гвинт натягування ланцюга проти годинникової стрілки та часто перевіряйте натяг. Ланцюг має правильний натяг, якщо проміжок між зубцем у ланцюгу та планкою становить близько 6,8 мм. Відтягніть ланцюг посередині нижньої сторони планки донизу (від планки) та виміряйте відстань між планкою та зубцями ланцюга. Затягуйте монтажні гайки планки, повертаючи їх проти годинникової стрілки.

Примітка: Не допускайте надмірного натягування ланцюга — надлишковий натяг спричиняє надмірне зношення, скорочує строк служби ланцюга та може пошкодити планку. Нові ланцюги можуть розтягуватися та послаблятися під час першого використання. Протягом перших двох годин використання

часто виймайте акумулятор і перевіряйте натяг ланцюга. Під час нормальної експлуатації температура ланцюга зростає, спричиняючи розтягування ланцюга. Часто перевіряйте натяг ланцюга та відповідним чином коригуйте його. Натяг ланцюга, налаштований в теплу стіну, після охолодження може стати надмірним. Переконайтеся в тому, що натяг ланцюга налаштовано належним чином відповідно до інструкцій у цьому посібнику.

Додавання масла для ланцюга

ПОПЕРЕДЖЕННЯ! У жодному разі не працюйте без масла для ланцюга. Якщо ланцюг пили обертається без масла, ви можете пошкодити його чи напрямну планку. Перед кожним використанням пили для обрізання гілок та далі якомога частіше перевіряйте рівень масла за допомогою масломіра. Резервуар повинен бути заповнений більше ніж на ¼, щоб гарантувати достатню кількість масла для роботи.

Примітка: Під час обрізання дерев рекомендується використовувати масло для ланцюгів на рослинній основі. Мінеральне масло може нашкодити деревам. У жодному разі не використовуйте відпрацьоване масло, автомобільне масло або надто густе масло. Це може пошкодити пилу для обрізання гілок. Очищуйте поверхню навколо масляного ковпачка, щоб запобігти забрудненню.

1. Відвинтіть і зніміть ковпачок із масляного бака.
2. Налийте масло в масляний бак і слідкуйте за масломіром.
3. Установіть масляний ковпачок назад і затягніть його. Витріть розлите масло.

Тримання пили для обрізання гілок

Завжди тримайте пилу для обрізання гілок правою рукою за задню ручку та лівою рукою за передню ручку. Беріться за ручки таким чином, щоб усі пальці охоплювали їх.

Запуск пили для обрізання гілок

Перед увімкненням пили для обрізання гілок вставте в неї акумуляторну батарею.

Механізм захисту від повторного запуску

Електронний пристрій інструмента постачається з механізмом захисту від повторного запуску.

Ць запобігає самовільному запуску увімкненого електроприводного інструмента у разі вставлення акумуляторної батареї та повторного запуску після спрацювання функції вимкнення акумуляторної батареї.

Якщо напрямна планка знаходиться не в деревині, вимкніть машину й увімкніть її знову для продовження роботи.

Якщо напрямна планка знаходиться в деревині, дочекайтеся, доки ланцюгова пила повністю зупиниться. Переконайтеся в тому, що вимикач встановлено в положення вимкнення. Вийміть акумуляторну батарею з машини та напрямну планку з розрізу. Вставте акумуляторну батарею, а потім увімкніть машину знову для продовження роботи.

ТРАНСПОРТУВАННЯ ТА ЗБЕРІГАННЯ

Щоб запобігти іржавині, завжди трохи змащуйте ланцюг під час зберігання. Щоб запобігти витіканню, завжди спорознойте масляний бак під час зберігання.

Перед транспортуванням або зберіганням зупиніть машину, вийміть акумулятор і дайте їй охолонути.

Очищіть машину від сторонніх матеріалів. Зберігайте машину в прохолодному, сухому, добре вентильованому та недоступному для дітей місці. Тримайте якнайдалі від корозійних речовин, наприклад садових хімікатів або солей, що запобігають зледенінню. Не зберігайте поза приміщенням.

Під час транспортування та зберігання машини встановлюйте кришку напрямної планки.

Для транспортування в автомобілях зафіксуйте машину, щоб уникнути руху чи падіння, що можуть призвести до поранення осіб або пошкодження машини.

ЧИСТКА

Очищайте отвори від пилу та бруду. Ручка повинна бути чистою та сухою, без масла чи мастила. Для очищення використовуйте лише м'який мильний розчин і м'яку тканину, оскільки деякі очисні засоби та розчинники можуть пошкодити пластикові та інші ізольовані деталі. Поміж іншого, до них належать бензин, скипидар, розчинник для лаку, розчинник для фарби, хлоровмісні очисні засоби, аміак і побутові очисні засоби, що містять аміак. У жодному разі не користуйтеся займистими чи вибухонебезпечними розчинниками поблизу інструментів.

ОБСЛУГОВУВАННЯ

ПОПЕРЕДЖЕННЯ! Використовувати тільки комплектуючі та запчастини Milwaukee. В іншому разі можливі поранення, зменшення продуктивності чи анулювання гарантії. Використовувати тільки комплектуючі та запчастини Milwaukee. Деталі, заміна яких не описується, замінювати тільки в відділі обслуговування клієнтів Milwaukee (зверніть увагу на брошуру "Гарантія / адреси сервісних центрів").

ПОПЕРЕДЖЕННЯ! Обслуговування вимагає надзвичайної ретельності та глибоких знань і повинно виконуватися лише кваліфікованим технічним спеціалістом. Для проведення обслуговування та ремонту ми рекомендуємо вам доставити машину до найближчого сервісного центру MILWAUKEE. Під час обслуговування використовуйте лише ідентичні запасні частини.

ПОПЕРЕДЖЕННЯ! Перед налаштуванням, обслуговуванням або очищенням виймайте акумулятор. В іншому разі може статися тяжке поранення. Дозволяється виконувати лише ті роботи з налаштування чи ремонту, які описано в цьому посібнику. Для виконання інших ремонтних робіт зверніться до уповноваженого представника технічної служби.

Неналежне обслуговування може призвести до неправильної роботи гальма ланцюга та інших захисних елементів, підвищуючи ризик важкого поранення.

Тримайте свою пилу для обрізання гілок в безпечному стані та проводьте професійне обслуговування. • Заточування ланцюга вимагає спеціальних навичок. Тому виробник настійно рекомендує замінювати зношені та затуплені ланцюги новими, які можна придбати в представника MILWAUKEE. Номер артикула вказаний в таблиці специфікації продукції в цьому посібнику.

Дотримуйтеся інструкції щодо змащування, а також перевірки та налаштування натягу ланцюга.

Після кожного використання очищайте машину м'якою сухою тканиною.

Очищуйте акумуляторний відсік від тирси, бруду та сторонніх часток.

Перевіряйте надійність усіх гайок, болтів і гвинтів із частотою періодичністю, щоб підтримувати машину в безпечному робочому стані. Будь-які пошкоджені частини необхідно належним чином ремонтувати чи замінювати в сервісному центрі MILWAUKEE.

Заміна напрямної планки та ланцюга пили

Носіть захисні рукавиці.

1. Вийміть акумулятор
2. Зніміть кришку напрямної планки
3. Зніміть монтажні гайки планки за допомогою комбінованого ключа, який надано в комплекті.
4. Зніміть кришку ланцюга.
5. Зменште натяг ланцюга пили. Дивіться розділ «Регулювання натягу ланцюга».
6. Зніміть старий ланцюг з напрямною планкою
7. Надягніть новий ланцюг у правильному напрямку на планку та переконайтеся в тому, що привідні ланки рівно розташовані в прорізі планки.
8. Прикріпіть планку до пили для обрізання гілок та надягніть ланцюг по колу на повідне колесо.
9. Установіть кришку півдні зірочки та гайку кріплення планки.
10. Затягніть гайку кріплення планки вручну.

11. Для регулювання натягу ланцюга планка повинна вільно рухатися.
12. Налаштуйте натяг ланцюга. Див. розділ «Налаштування натягу ланцюга».
13. Тримайте напрямну планку наконечником угору та міцно затягніть монтажні гайки планки.

ПОПЕРЕДЖЕННЯ! Якщо ланцюг затуплено або неналежно загострено, двигун під час розрізання може обертається з надмірною швидкістю та зазнати важких пошкоджень.

ПОПЕРЕДЖЕННЯ! Неналежне загострення ланцюга підвищує ризик зворотного удару.

ПОПЕРЕДЖЕННЯ! Відмова від ремонту чи заміни пошкодженого ланцюга може спричинити важке поранення.

ПОПЕРЕДЖЕННЯ! Ланцюг пили гострий. Під час обслуговування ланцюга завжди носіть захисні рукавиці.

Обслуговування напрямної планки

Якщо напрямна планка має ознаки зношування, переверніть її на пилі та встановіть нижньою частиною вгору, щоб розподілити зношування для максимального продовження терміну служби планки. Очищуйте планку в кожен день використання та перевіряйте на зношування та пошкодження. Утворення задири на рейках планки є нормальним процесом зношування. Такі дефекти слід усувати напилком, щойно вони виникають.



Планка з будь-яким із наведених нижче дефектів підлягає заміні.

- Зношування внутрішньої поверхні рейок планки, через яке ланцюг набігає на бокову поверхню.
- Вигин напрямної планки.
- Потріскані або зламані рейки.
- Розходження рейок.

Щотижня змащуйте кінчики напрямних планок із зірочкою Щотижня змащуйте отвір для змащування за допомогою шприца. Переверніть напрямну планку та перевірте наявність бруду в отворах для мастила та на рейках.

Графік обслуговування

Щоденна перевірка

Змащування планки	Перед кожним використанням
Натяг ланцюга	Перед кожним використанням і часто
Гострість ланцюга	Перед кожним використанням, візуальна перевірка
Наявність пошкоджених деталей	Перед кожним використанням
Наявність послаблених кріплень	Перед кожним використанням
Напрямна планка	Перед кожним використанням
Пила в цілому	Після кожного використання

Запчастини (Планка і ланцюг)

Виробник	MILWAUKEE	OREGON
Ланцюг	4932 4801 76	90F033XTR
Напрямна планка	4932 4801 69	360804

Ланцюг повинен доповнюватися планкою того самого виробника відповідно до наведених вище комбінацій.

Зображення в розібраному вигляді

У разі необхідності можна запросити креслення з зображенням вузлів машини в перспективному вигляді, для цього потрібно звернутися в ваш відділ обслуговування клієнтів або безпосередньо в Techtronic Industries GmbH, Max-Eyth-Straße 10, 71364 Winnenden, Німеччина, та вказати тип машини та шестизначний номер на фірмовій табличці з даними машини.

СИМВОЛИ

	Уважно прочитайте інструкцію з експлуатації перед введенням приладу в дію.
	УВАГА! ПОПЕРЕДЖЕННЯ! НЕБЕЗПЕЧНО!
	Перед будь-якими роботами на приладі вийняти змінну акумуляторну батарею.
	Не тримати машину під дощем.
	Не працюйте однією рукою
	Завжди тримайте пилу для обрізання гілок двома руками
	Носіть захисні чоботи з захистом від порізів, шорсткою підошвою та сталевим носком!
	Носити захисні рукавиці!
	Завжди носіть захисний одяг і міцне взуття.
	Носіть захисну каску. Використовувати засоби захисту органів слуху! Носіть захисні окуляри.
	Пам'ятайте про безпеку зворотного удару та уникайте контакту з наконечником планки
	Під час використання тримайте відстань від оточуючих не менше 15 м.
	Резервуар з оливою для змащування ланцюга
	Повертайте, щоб налаштувати натяг ланцюга
	Напрямок руху ланцюга
	Комплектуючі - не входять в обсяг постачання, рекомендовані доповнення з програми комплектуючих.



Не утилізуйте відпрацьовані батарейки й відпрацьоване електричне та електронне обладнання разом з змішаними побутовими відходами. Відпрацьовані батарейки, відпрацьоване електричне та електронне обладнання необхідно збирати окремо. Відпрацьовані батарейки, відпрацьовані акумулятори, відпрацьовані джерела світла повинні бути вилучені з обладнання. Зверніться до місцевих органів влади або роздрібною продавця за порадою щодо утилізації та пункту збору. Відповідно до місцевих постанов, роздрібні продавці можуть бути зобов'язані безкоштовно забирати назад відпрацьовані акумулятори, електричне та електронне обладнання. Ваш внесок до повторного вживання та переробки відпрацьованих батарейок і відпрацьованого електричного та електронного обладнання допомагає зменшити попит на сировину. Відпрацьовані батарейки, зокрема, що містять літій, і відпрацьоване електричне та електронне обладнання містять цінні матеріали, які можуть бути перероблені, та мають негативний вплив на довкілля й здоров'я людей, якщо не будуть утилізовані у безпечний для довкілля спосіб. Видаліть особисті дані з відпрацьованого обладнання, якщо такі є.



Гарантований рівень звукової потужності 79 dB(A)

v₀

Швидкість ланцюга без навантаження

V

Напруга



Постійний струм



Європейський знак відповідності



Британський знак відповідності



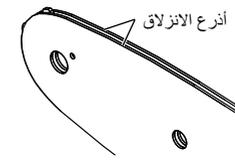
Український знак відповідності



Євразійський знак відповідності

علامة التوافق البريطانية	UK CA
علامة التوافق الأوكرائية	001
علامة التوافق الأوروبية الآسيوية	EAC

استخدم منشار التقليم دومًا ببديك الاثنيين	
قم بارتداء أحذية الأمان مع حماية للقطع ونعل لاصق ومرنركز فولاذي!	
ارتد القفازات!	
ارتدي دائماً ملابس واقية وحذاء صلب.	
قم بارتداء خوذة واقية. ارتد واقبات الأذن! استخدم النظارات الواقية.	
احذر من تقليم ركلة المنشار وتجنب ملاصقة طرف القضيب	
أبعد المارة لمسافة '50' على الأقل أثناء الاستخدام.	
خزان زيت السلسلة	
قم بالتدوير لضبط شد السلسلة	
اتجاه تشغيل السلسلة	
الملحق - ليس مدرجاً كمعدة قياسية، متوفر كملحق.	
يحظر التخلص من البطاريات القديمة والأجهزة الكهربائية والإلكترونية القديمة سوياً مع القمامة المنزلية. يجب جمع البطاريات القديمة والأجهزة الكهربائية والإلكترونية القديمة والتخلص منها بشكل منفصل. أنزع البطاريات القديمة والمراكم القديمة والمصابيح من الأجهزة قبل التخلص منها. الرجاء الاستفسار لدى الجهات الرسمية في المكان أو لدى التجار المتخصصين عن مواقع إعادة الاستغلال ومواقع الجمع. وفقاً للوائح المحلية، قد يُطلب من تجار التجزئة استعادة البطاريات القديمة والأجهزة الكهربائية والإلكترونية القديمة مجاناً. ساهم في الحد من الحاجة إلى المواد الخام عن طريق إعادة استخدام البطاريات القديمة والأجهزة الكهربائية والإلكترونية القديمة الخاصة بك وإعادة تدويرها. تحتوي البطاريات القديمة (وعلى الأخص بطاريات أيون الليثيوم) والأجهزة الكهربائية والإلكترونية القديمة على مواد قيمة وقابلة لإعادة التدوير يمكن أن يكون لها آثار سلبية على البيئة وصحتك في حالة عدم التخلص منها على نحو يتماشى مع البيئة. قبل التخلص قم بحو البيانات الشخصية التي قد تكون على جهازك القديم.	
مستوى شدة الصوت خلال فترة الضمان 79 dB(A)	
بلا سرعة لسلسلة التحميل	
الجهد الكهربائي	
التيار المستمر	
علامة التوافق الأوروبية	



يجب استبدال أي ذراع تظهر عليه العيوب التالية

- وجود بلي داخل الأذرع الدليلية مما يسمح للسلسلة بأن تمتد على الجانبين.
- انثناء الذراع الدليلي.
- أذرع مشقوقة أو مكسورة.
- أذرع منبسطة.

قم بتشجيع الأذرع الدليلية باستخدام ترس مسنن من الطرف كل أسبوع باستخدام حقنة تشجيع، قم بالتشجيع كل أسبوع في فتحة التشجيع. ألق الذراع الدليلي وتحقق من أن فتحات التشجيع وأذرع الانزلاق خالية من الشوائب.

جدول الصيانة

الفحص اليومي	قبل كل استخدام
تزييق القضيب	قبل كل استخدام وبصورة متكررة
شد السلسلة	قبل كل استخدام، الفحص البصري
شحذ السلسلة	قبل كل استخدام
للقطع التالفة	قبل كل استخدام
للمثبتات الرخوة	قبل كل استخدام
القضيب الدليلي	بعد كل استخدام
المنشار بأكمله	بعد كل استخدام

قطع الغيار (القضيب والسلسلة)

الشركة المصدّعة	OREGON	MILWAUKEE
السلسلة	90F033XTR	4932 4801 76
القضيب الدليلي	360804	4932 4801 69

يتعين تزويد السلسلة بقضيب من نفس الشركة المصدّعة وفقاً للمجموعات الموضحة أعلاه.

منظر مفصّل

عند الحاجة يمكن طلب رمز انفجار الجهاز بعد ذكر طراز الآلة والرقم السداسي المذكور على بطاقة طاقة الآلة لدى جهة خدمة العملاء أو مباشرة لدى شركة
Techtronic Industries GmbH, Max-Eyth-Straße 10,
71364 Winnenden.
ألمانيا

الرموز

يرجى قراءة التعليمات بعناية قبل بدء تشغيل الجهاز.	
تنبيه! تحذير! خطر!	
انزع البطارية قبل التعامل مع الجهاز.	
لا تعرض الآلة للمطر مطلقاً.	
لا تستخدمه بيد واحدة	

⚠ تحذير!

قد تؤدي عواقب الصيانة غير الصحيحة أو الإزالة أو التعديل على خصائص السلامة، ومفتاح الإشعال، وواقي اليد (الضخيف)، والمصد المسنن، وماسك السلسلة، وقضيب التوجيه، وسلسلة المشtar المناميضة على عدم أداء خصائص السلامة لوظيفتها بشكل صحيح، وبالتالي زيادة احتمالية حدوث إصابة خطيرة.

المصد ذو النهاية المدببة

قد يتم استخدام التواء المعدني المكمل بالمصد كمحور عند إجراء قطع. فهو يساعد في الحفاظ على ثبات هيكل مشtar التواء المقطع. عند المقص، ادفع الآلة للأمام حتى يتم غرز التواءات المعدنية في حافة الخشب، ثم من خلال تحريك المقص الخلفي لأعلى أو لأسفل في اتجاه خط القطع، يمكن أن يساعد ذلك في تخفيف الجهد البدني لعملية القطع.

القضيب الدليلي

بصورة عامة، تكون القضبان الدليلية ذات الأطراف صغيرة القطر لديها احتمالية أقل للارتداد. يجب عليك استخدام القضيب الدليلي ومطابقة السلسلة بحيث تكون بطول كافٍ لأداء المهمة، حيث تزيد القضبان الأطول من خطورة فقدان القدرة عل التحكم خلال الشتر. احرص شد السلسلة بانتظام. قد قطع الفروع الأصغر (التي تقل عن الطول الكامل للقضيب الدليلي)، تزيد احتمالية إلقاء ورمي السلسلة إذا كان الشد غير صحيح.

تعليمات بخصوص الأساليب الصحيحة للإسقاط والتشذيب والقطع المتعارض

فهم القوة الموجودة داخل الخشب

عندما تفهم الضغوط والإجهادات الاتجاهية داخل الخشب، فيمكنك تقليل "حالات التضييق" أو على الأقل توقعها خلال القطع. يعني الشد في الخشب أنه يتم سحب الألياف بعيدا وفي حالة قيامك بالقطع في هذه المنطقة، فإن "الشق" أو القطع سيؤدي إلى الفتح حينما يمر المشtar من خلاله. في حالة عدم وتثبيت الجذع على حصان خشبي وتعليق الطرف دون دعم عبر الطرف، فإن الشد ينشأ في السطح العلوي بسبب وزن الجذع المتبقي الذي يعمل على شد الألياف. وعلى نحو مشابه، يكون الجانب السفلي من الجذع في حالة الضغط ويتم دفع الألياف معا. في حالة القيام بالقطع في هذه المنطقة، فإن الشق سيؤدي إلى الإقلاق خلال عملية القطع. وسيضغط ذلك على الشفرة.

تشذيب شجرة

التشذيب هو إزالة الفروع من الشجرة التي سقطت. عند التشذيب، اترك الأغصان المنخفضة الكبيرة لدعم الجذع على الأرض. وقم بإزالة الأغصان الصغيرة بقطعة واحدة. ويجب قطع الفروع المشدودة من أسفل لأعلى لتجنب تقييد مشtar التقليم.

قطع الأعداء النابضة

المعدن النابض هو أي جذع أو فرع أو أجل متجزأة أو شجيرة تلتوي تحت الشد عن طريق الخشب الآخر مما يجعلها ترتد في حالة تعرض الخشب الذي يمسكها إلى القطع أو الإزالة. في الشجرة الساقطة، تكون هناك احتمالية كبيرة لتعرض الجذع المتجزأة للارتداد إلى الوضع العمودي خلال القطع لفصل الجذع من الجذال. انتبه من الأعداء النابضة فهي خطيرة.

⚠ تحذير! **تعد الأعداء النابضة خطيرة وقد تصيب المشغل وتسبب في فقائه للقدرة على التحكم في مشtar التقليم. مما قد يؤدي إلى إصابة خطيرة أو مميتة للمشغل. وبالتالي يجب إجراؤها مع مستخدمين مدربين.**

شروط الاستخدام المحددة

مشtar التقليم اللاسلكي مصمم فقط للاستخدامات الخارجية.

لأسباب متعلقة بالسلامة، يتعين التحكم في مشtar التقليم بصورة كافية من خلال التشغيل بكتلا البدين في كل الأوقات.

مشtar التقليم مصمم لقطع الفروع والجذوع والعوارض الخشبية التي يتم تحديد طولها من خلال طول القطع الخاص بالقضيب الدليلي. فهو مصمم لقطع الأشواب قطر. ويجب ألا يتم استخدامه إلا بواسطة البالغين حصلوا على تدريب كافٍ حول المخاطر والإجراءات/التدابير الوقائية التي يتعين اتخاذها أثناء استخدام مشtar التقليم.

لا تستخدم مشtar التقليم لأي غرض غير مدرج في ظروف الاستخدام المحددة. فهو غير مخصص للاستخدام في خدمات الاحترافية. ويجب ألا يتم استخدام مشtar التقليم من قبل الأطفال أو الأشخاص الذين لا يرتدون ملابس ومعدات الوقاية الشخصية الكافية.

⚠ تحذير! **استخدام مشtar التقليم، يتعين اتباع قواعد السلامة. ولسلامتك وسلامة المارين، يتعين عليك قراءة هذه التعليمات وفهمها تماما قبل تشغيل مشtar التقليم. يجب عليك حضور دورة تدريبية عن السلامة منظمة بصورة احترافية حول الاستخدام والإجراءات الوقائية والإسعافات الأولية وصيانة مشتاير التقليم. يرجى الاحتفاظ بهذه التعليمات في مكان آمن لاستخدامها لاحقا.**

⚠ تحذير! **مشتاير التقليم قد تكون أدوات خطيرة. الحوادث التي تنطوي على استخدام مشتاير التقليم غالبا ما تؤدي إلى فقدان الأطراف أو الوفاة. فانظر لا يتمثل في مشtar التقليم وحده. حيث قد تكون الفروع الساقطة وإسقاط الجذوع والمتحجرة أداة قتل. وكذلك الأخشاب المتعقنة أو العظيمة تمثل مخاطر إضافية. ويجب عليك تقييم قدرتك على إكمال المهمة بأمان. ففي حالة وجود أي شك، اترك المهمة إلى مهالج أشجار محترف.**

التركيب والتوصيل بمصدر الإمداد بالتيار

المخاطر المتبقية

حتى في حالة استخدام المنتج تبعاً لتعليمات لا يمكن استبعاد باقي المخاطر بشكل تام. في حالة الاستخدام يمكن حدوث المخاطر التالية، لذا يجب على المستخدم مراعاة ما يلي:

- الإصابة الناجمة بسبب الاهتزاز
- استخدم الأداة الصحيحة لأداء المهمة دوماً. واستخدم المقابض المخصصة. وقيدّ التعرض للوضواء ووقت العمل.
- تضرر السمع بسبب التعرض للوضواء

قم بارتداء حماية الأذن وقيدّ من التعرض للوضواء.

- الإصابة الناجمة بسبب ملامسة أسنان المشtar المكشوفة للسلسلة
- الإصابة الناجمة بسبب القطع المرمية من قطعة العمل (قطع الخشب أو الشطابيا)
- الإصابة الناجمة بسبب التراب والحبيمات
- إصابة البشرة الناجمة بسبب ملامسة المزلقات
- القطع التي يتم إخراجها من سلسلة المشtar (مخاطر الحقن/القطع)
- الحركة المفاجئة غير المتوقعة، أو ارتداد القضيب الدليلي (مخاطر القطع)"

تقليل المخاطر

- أشارت التقارير إلى أن الاهتزازات الواردة من الأدوات المشتملة باليد قد تساهم في الإصابة بحالة تُعرف باسم متلازمة رينولد لبعض الأفراد. وقد تشمل الأعراض على وخز وخدر وشعوب للأصابع وهو ما يظهر عادة عند التعرض للبرد. ويُعتقد أن العوامل الوراثية والتعرض للبرد والرطوبة والنظام الغذائي والتدخين وممارسات العمل تساهم جميعها في تطور هذه الأعراض. وهناك تدابير يمكن اتخاذها من قِبل المشغل لتقليل آثار الاهتزاز: اجعل جسداك دافئا في الطقس البارد. عند ارتداء الوحدة، قم بارتداء القفازات للحفاظ على دفء اليدين والرسغين.

بعد كل فترة تشغيل، قم بإجراء التمارين لزيادة دوران الدم.

- خذ قترات راحة متكررة من العمل. واحرص على تقليل مقدار التعرّض للوضواء في اليوم.
- تم تصميم القفازات الواقية المتوفرة من خلال بائعي التجزئة المحترفين لمشتاير التقليم خصيصاً لاستخدام مشtar التقليم الذي يوفر الحماية والقبضة الجيدة وكذلك تقلل تأثير اهتزاز المقبض. يجب أن تتوافق هذه القفازات مع المعيار EN 381-7 وأَنْ تحمل علامة CE.

إذا علمت من أي من أعراض هذه الحالة، توقف فوراً عن الاستخدام واحرص على رؤية طبيبك.

⚠ تحذير! **قد تحدث الإصابات أو تتفاقم، من خلال الاستخدام المطول للداة. عند استخدام أي أداة لقطرات مطولة، تأكد من أخذ قترات راحة منتظمة.**

(إرشادات خاصة بطاريات أيون الليثيوم القابلة للشحن

استخدام بطارية أيون الليثيوم القابلة للشحن

يجب إعادة شحن البطارية غير المستخدمة لفترة قبل الاستخدام.

تقلل درجات الحرارة التي تتجاوز 50°سلفريوس (122°فهرنهايت) من أداء البطارية. تجنب التعرض الزائد للحرارة أو أشعة الشمس (خطر التسخين)..

يجب الحفاظ على محتويات المشواحن وحفظها نظيفة.

للحصول على فترة استخدام مثالية، يجب شحن البطاريات تماما، بعد الاستخدام.

للحصول على أطول عمر ممكن للبطارية، انزع البطارية من المشاحن بمجرد شحنها تماما.

لتحزين البطارية أكثر من 30 يوم.

خزن حزمة البطارية في مكان تقل درجة حرارته عن 27 درجة مئوية وبعيداً عن الرطوبة. خزن البطارية مشحونة بنسبة تتراوح بين 30 50-%.
اشحن البطارية كامغناذ، وذلك كل ستة أشهر من التخزين.

حماية بطاريات أيون الليثيوم القابلة للشحن من التحميل الزائد

في حالات العزم العالي، أو إعاقة الحركة أو التوقف المفاجئ أو القصور في الدائرة الكهربائية الذي ينتج عنه سحب لئدر كبير من التيار الكهربائي، تستمدر الأداة ذنبذات لمدة 5 ثوان، وسيضيء مقياس الوقود ثم تتوقف عن العمل.

لإعادة الضبط لحفظ حرور الزائد، في الظروف المصممة للعمل، قد ترتفع درجة الحرارة الداخلية للبطارية ارتفاعاً شديداً. إذا حدث ذلك، سيضيء مقياس الوقود حتى تنخفض درجة حرارة البطارية. بعد انطفاء الأضواء، يمكنك متابعة العمل.

نقل بطاريات الليثيوم

تخضع بطاريات الليثيوم أيون لشروط قوانين نقل السلع الخطرة.

ويجب نقل هذه البطاريات وفقاً لأحكام والقوانين المحلية والوطنية والدولية.

يمكن للمستخدم نقل البطاريات براً دون الخضوع لشروط أخرى.

يخضع النقل التجاري لبطاريات الليثيوم أيون عن طريق الغير إلى قوانين نقل السلع الخطرة. يتعين أن يقوم أفراد مدربون جيداً بالأعداد لعملية النقل والقيام بها بصحة خبراء ملتهم.

متى تُنقل البطاريات:

عند التأكد من حماية أطراف توصيل البطارية وعزلها تجنباً لحدوث قصر بالدائرة.

عند التأكد من حماية حزمة البطارية من الحركة داخل صندوق التعبئة. يُرجى عدم نقل البطاريات التي بها تشققات أو تمسرات.يُرجى البحث مع شركة الشحن عن نصيحة أخرى

نصائح العمل

التجميع

تجميع سلسلة المشtar والقضيب الدليلي

⚠ تحذير! **في حالة تعرض أي قطعة للتلثف أو الفقدان، لا تشغّل الآلة حتى استبدال القطع. حيث يؤدي الإخفاق في الانتباه لهذه التحذير إلى إصابة شخصية خطيرة.**

تأكد من إزالة البطارية ارتد القفازات!ا

- قم بإزالة صواميل تثبيت القضيب باستخدام مفتاح الربط المتولف المتوفر.

- قم بإزالة غطاء السلسلة.

3. ضع السلسلة في الاتجاه الصحيح باتجاه القضيب وتأكد من أن وصلات الإدارة ملائمة لوضع القضيب.

- قم بتثبيت القضيب بمنشار التقليم، والتفاف السلسلة حول العجلة المسننة المديرة.

- استبدل غطاء السلسلة وصواميل تثبيت القضيب.

6. قم بإحكام تثبيت صواميل تثبيت القضيب بالأصابع. يتعين أن يكون القضيب حرًا للتحرك لضبط شد السلسلة.

- اضبط شد السلسلة. ارجع إلى قسم "ضبط شد السلسلة".

- امسك طرف القضيب الدليلي لأعلى وأحكم ربط صواميل تثبيت القضيب بأمان.

⚠ تحذير! **سلسلة المشtar حادة. لذا، فاحرص على ارتداء القفازات الواقية عند إجراء الصيانة للسلسلة.**

ضبط شد السلسلة

قم بإزالة حزمة البطاريات قبل أن تقوم بأي عمل في مشtar التقليم.

لزيادة شد السلسلة، قم بإدارة لولب شد السلسلة باتجاه عقارب الساعة وتحقق من شد السلسلة بصورة متكررة. لتقليل شد السلسلة، قم بإدارة لولب شد السلسلة عكس اتجاه عقارب الساعة وتحقق من شد السلسلة بصورة متكررة.

يكون شد السلسلة صحيحًا عندما تكون الفجوة بين المقاطع في السلسلة والقضيب حوالي 6.8 مم. اسحب شد السلسلة في منتصف الجانب السفلي من القضيب لإسفل (بعيداً عن القضيب) وقم بقياس المسافة بين القضيب وقواطع السلسلة. قم بإحكام تثبيت صواميل تثبيت القضيب من خلال إدارتها عكس اتجاه عقارب الساعة.

ملاحظة: لا تقطُر في شد السلسلة، فسيؤدي الشد الزائد إلى التآكل المفرط وإلى تقليل عمر السلسلة وقد يؤدي إلى تلف القضيب. قد تكون السلاسل الجديدة ممددة ورخوة خلال الاستخدام الأولي. قم بإزالة حزمة البطاريات واهض من شد السلسلة بصورة متكررة خلال أول ساعتين للاستخدام. تزيد درجة حرارة السلسلة خلال التشغيل العادي مما يؤدي إلى تمدد السلسلة. احرص شد السلسلة بصورة متكررة واضبطها كما هو مطلوب. السلسلة التي تتعرض للشد وهي دافئة قد تكون محكمة التثبيت عند التبريد. تأكد من أن شد السلسلة مضبوط بصورة صحيحة على النحو المحدد في هذه التعليمات.

إضافة زيت تزييق السلسلة

⚠ تحذير! **لا تامل أبداً بدون تزييق السلسلة. في حالة تشغيل سلسلة المشtar بدون تزييق، قد يتعرّض القضيب الدليلي وسلسلة المشtar لتلثف. من الضروري فحص مستوى الزيت بصورة متكررة في مقياس مستوى الزيت قبل البدء في استخدام مشtar التقليم.احرص على إبقاء الخزان ممتلئاً بنسبة تزيد عن ¼ السعة لضمان توفر الزيت الكافي لأداء المهمة.**

ملاحظة: يوصى باستخدام زيت نباتي للسلسلة عند تشذيب الأشجار. قد يتسبب الزيت المعدني في ضرر للأشجار. لا تستخدم زيت السيارات المتسعمل أو الزيوت شديدة السمالة. قد يتسبب ذلك في تلف مشtar التقليم. قم بتنظيف السطح المحيط بغطاء الزيت لمنع التلوث.

- فك الغطاء وقم بإزالته من خزان الزيت.

- صب الزيت في خزان الزيت وراقب مقياس مستوى الزيت.
- ضع غطاء الزيت مجدداً وقم بتثبيتّه بإحكام. امسح أي انسكبات.

مسك مشtar التقليم

احرص على مسك مشtar التقليم دوماً بحيث تكون يدك اليمنى على المقبض الخلفي ويدك اليسرى على المقبض الأمامي. أحكم قبضتك على المقبض من خلال إحاطة أصبعي الإبهام والأصابع بالمقبضين.

بدء تشغيل مشtar التجميع

يجب تشغيل مشتاير التجميع في مشtar التقليم، قبل بدء تشغيل مشtar التقليم.

وحدة الحماية من إعادة التشغيل

الأداة الكهربائية مزودة بوحدة حماية من إعادة التشغيل.

يجول هذا دون أن يبدأ تشغيل الأداة الكهربائية التي تم تشغيلها من تلقاء نفسها عندما تكون حزمة البطارية في مكانها ودون إيدء تشغيلها بعد إيقاف تشغيل حزمة البطارية.

إذا كان قضيب الدليل داخل الخشب، فانتظر حتى تتوقف سلسلة المشtar تماماً. تأكد من أن المفتاح في وضع إيقاف التشغيل. ازل مجموعة البطارية من الماكينة وقضيب الدليل من القطع.

أدخل مجموعة البطارية، أعد تم تشغيل الماكينة مرة أخرى لمواصلة العمل.

النقل والتخزين

احرص دوماً على تزييب السلسلة عند التخزين لمنع حدوث صدأ. احرص دوماً على إفراغ خزان الزيت عند التخزين لمنع التسرب.

أوقف الآلة وقم بإزالة البطارية والتركها تبرد قبل التخزين أو النقل.

نظف كل المواد الغريبة من الآلة. احفظ الآلة في مكان بارد وجاف وجيد التهوية لا يمكن للأطفال الوصول إليه. احفظها بعيداً عن عوامل التآكل، مثل الكيملويات البستانية وأملاح إزالة الجليد. لا تخزنها في البواء الطلق.

تبتّ غطاء القضيب الدليلي قبل تخزين الآلة أو خلال النقل.

النقل في المركبات، أحكم تثبيت الآلة لمنع تعرضها للحركة أو السقوط لتفادي تعرض الأشخاص للإصابة من تلف الآلة.

التنظيف

نظف الغبار والفتات من الفتحات. حافظ على نظافة المقبض، وحفاه، وعدم احتوائه على زيت أو شمع. استخدم الصابون المعتدل فقط وقطعة من الفعاش الرطب للتنظيف، حيث تتسبب بعض المنظفات والمنيبات في الإضرار بالأجزاء البلاستيكية والأجزاء المعزولة الأخرى. حيث يحتوي بعضها على الجازولين، والترينتين، ومخفف طلاء الكلك، ومخفف الطلاء، ومذيبات التنظيف التي تحتوي على الكلور، والأمونيا، والمنظفات المنزلية التي تحتوي على الأمونيا. لا تستخدم المنيبات القابلة للاشتعال بالقرب من الأدوات.

الصيانة

⚠ تحذير! **استخدم فقط ملحقات MILWAUKEE وكذلك قطع غيار MILWAUKEE. الإخفاق في القيام بهذا الأمر، يمكن أن يؤدي إلى إصابة محتملة ويساهم في ضعف الأداء وقد يؤدي إلى إلغاء الضمان.**

استخدم فقط ملحقات ميلوكي وكذلك قطع غيار ميلوكي. إذا كانت المكونات التي يجب تغييرها غير مذكورة، يرجى الاتصال بأحد عملاء صيانة ميلوكي (انظر قائمة عناوين الضمان/الصيانة الخاصة بنا).

⚠ تحذير! **تستلزم الصيانة توشي العناية الإضافية والتمعن بالمعرفة، ويجب إجراؤها فقط بواسطة فني خدمة مؤهل. لإجراء الصيانة، نقتح عليك الحصول الآلة إلى أقرب محطة خدمة تابعة لشركة MILWAUKEE لإصلاحها. عند إجراء الصيانة، استخدم فقط قطع الغيار المتطابقة.**

⚠ تحذير! **قم بإزالة البطارية قبل الضبط أو الصيانة أو التنظيف. حيث يؤدي الإخفاق في هذا الأمر إلى إصابة شخصية خطيرة. يمكنك فقط إجراء التعديلات أو الإصلاحات الموضحة في هذا الدليل. بالنسبة للإصلاحات الأخرى، اتصل بوكيل الخدمة المعتمد.**

قد تؤدي تدابيع الصيانة غير الصحيحة إلى عدم عمل فرامل السلسلة وميزات السلامة الأخرى بصورة صحيحة، مما يؤدي إلى زيادة احتمالية التعرض لإصابة خطيرة.

احرص على إبقاء مشtar التقليم ممتعماً بالصيانة والأمان بصورة احترافية. يعد شحد السلسلة بأمان مهمة تتطلب مهارة. لذلك، توصي الشركة المصنعة بشدة باستبدال أي سلسلة بالية أو غير حادة بسلسلة جديدة متوفرة لدى وكيل خدمة MILWAUKEE. يتوفر رقم القطعة في جدول مواصفات المنتج في هذا الدليل.

اتبع تعليمات التزييق وفحص وضبط شد السلسلة.

بعد كل استخدام، نظف الآلة باستخدام قطعة قماش ناعمة.

قم بإزالة أي برادة وأوساخ وحطام في حواية البطارية.

افحص جميع الصواميل والمسامير والبراغي على فترات زمنية متكررة للأمان ولتأكد من أن الآلة بحالة تشغيلية آمنة. يجب إصلاح أي قطعة تعرض لتلف بصورة صحيحة أو استبدالها من قِبل محطة خدمة تابعة لشركة MILWAUKEE.

استبدال القضيب الدليلي وسلسلة المشtar

احرص على ارتداء القفازات الواقية.

- أدخل حزمة البطارية

- ازل غطاء قضيب الدليل

- قم بإزالة صواميل تثبيت القضيب باستخدام مفتاح الربط المتولف المتوفر.

- قم بإزالة غطاء السلسلة.

- اخفض شد سلسلة المشtar. انظر القسم "ضبط شد السلسلة".

- ازل السلسلة القديمة مع قضيب الدليل

7. ضع السلسلة الجديدة في الاتجاه الصحيح باتجاه القضيب وتأكد من أن وصلات الإدارة ملائمة لوضع القضيب.

- قم بتثبيت القضيب بمنشار التقليم، والتفاف السلسلة حول العجلة المسننة المديرة.

- استبدل غطاء عجلة القيادة المسننة وصمولة تثبيت الزراع.

- اربط صمولة تثبيت الزراع بإصبعك.

- يجب أن يتحرك الزراع بحرية لضبط شد السلسلة.

- اضبط شد السلسلة. ارجع إلى قسم "ضبط شد السلسلة".

- امسك طرف القضيب الدليلي لأعلى وأحكم ربط صواميل تثبيت القضيب بأمان.

⚠ تحذير! **قد يتسبب السلسلة غير الحادة أو التي تم شحذها بصورة غير صحيحة في سرعة مفرطة للمحرك خلال القطع وهو ما قد يؤدي إلى ضرر جسيم بالمحرك.**

⚠ تحذير! **يزيد شحذ السلسلة غير الصحيح من احتمالية حدوث ارتداد.**

⚠ تحذير! **قد يتسبب الإخفاق في استبدال أو إصلاح سلسلة تالفة في حدوث إصابة خطيرة.**

⚠ تحذير! **سلسلة المشtar حادة. لذا، فاحرص على ارتداء القفازات الواقية عند إجراء الصيانة للسلسلة.**

صيانة الزراع الدليلي

عندما تظهر علامات البلى على الزراع الدليلي، اقلب زراع الانزلاق من الأسفل إلى الأعلى على المشtar لتزويق البلى للحصول على أقصى حد لعمر الزراع. يجب تنظيف الزراع كل يوم من أيام الاستخدام وحصلي ببطء عن وجود بلى وتلف. يُعدّ تنظيف أو إزالة الحافة الخشنة من الأنزراع الدليلية عملية عادية لبلي الزراع. يجب تلميس هذه الفوالق بمبرد بمجرد حدوثها.

البيانات الفنية
الطرز
إنتاج عدد
فرطاطية البطارية
بلا سرعة لسلسلة التحميل
طول القضيب الحد الأقصى
طول قطع قابل للاستخدام
سعة خزان زيت المسلسلة
الوزن وفقا لنهج EPTA رقم 01/2014 01/2014 (Li-Ion 2.0 Ah .. 12.0 Ah)
درجة حرارة البيئة المحيطة المنصوص بها من أجل التشغيل
البطاريات المنصوح بها
جهاز الشحن المنصوح به

معلومات الموضوع: القيم التي تم قياسها محددة وفقا للمعايير الأوروبية EN 62841 مستويات ضوضاء الجهاز، ترجيحاً بشكل نمودجي كالتالي:

مستوى ضغط الصوت / الارتياح في القياس

مستوى شدة الصوت / الارتياح في القياس

ارتد واقيات الأذن!

معلومات الاهتزاز: قيم الذبذبات الإجمالي (مجموع الكميات الموجبة في المحاور الثلاثة) محددة وفقا للمعايير الأوروبية EN 62841.

قيمة انبعاث الذبذبات a_v / الارتياح في القياس

⚠ تحذير!

تم قياس مستوى الاهتزاز وانبعاث الضوضاء الوارد في ورقة المعلومات هذه، وفقاً لاختبار قياسي محدد في المواصفة EN 62841، ويمكن استخدامه لمقارنة آلة مع أخرى. كما يمكن استخدام ذلك أيضاً في إجراء تقييم أولي للتعرض.

يمثل مستوى الاهتزاز وانبعاث الضوضاء المعان عنه الاستخدامات الأساسية للآلة. ومع ذلك، إذا استُعملت الآلة في استخدامات مختلفة، أو بمحركات مختلفة، أو تم صيانتها على نحو سيئ، فقد يختلف مستوى الاهتزاز وانبعاث الضوضاء. وهذا قد يزيد -على حد كبير- من مستوى التعرض خلال مدة العمل الإجمالية.

عند تقييم مستوى التعرض للاهتزاز والضوضاء، ينبغي أيضاً أن يوضع في الاعتبار فترات إطفاء الآلة أو تشغيلها دون أن تقوم بأي وظيفة فعلياً. فهذا قد يقلل -إلى حد كبير- من مستوى التعرض خلال مدة العمل الإجمالية.

تعرف على تدابير السلامة الإضافية لحماية المشغل من تأثيرات الاهتزاز أو الضوضاء أو كليهما، مثل: صيانة الآلة ومحركاتها، والحفاظ على دفة اليدين، وتنظيم نماذج العمل.

ارتد وقيات الأذن. قد يسبب التعرض للضوضاء فقدان السمع.

⚠ تحذير! اقرأ جميع تعليمات السلامة والإرشادات والشروح والبيانات المرفقة مع الجهاز.

قد يؤدي عدم مراعاة التعليمات المدرجة أدناه إلى التعرض للإصابة بصدمة كهربائية أو الحريق و/ أو إصابة خطيرة.

احفظ جميع التنبيهات والتعليمات للرجوع إليها مستقبلاً.

(لعامة تحذيرات السلامة الخاصة بمنشار التقليم

(a) عند تشغيل منشار التقليم، احرص على جعل جميع أجزاء الجسم بعيدة عن سلسلة المنشار. وقبل بدء تشغيل منشار التقليم، تأكد من عدم ملامسة سلسلة المنشار لأي شيء. لحظة من عدم الانتباه أثناء تشغيل مناشير التقليم قد تكون نتيجتها تشابك ملاميك أو جسدك بسلسلة المنشار.

(ب) احرص على مسك منشار التقليم دوماً بحيث تكون يدك اليمنى على المقبض الخلفي ويدك اليسرى على المقبض الأمامي. مسك منشار التقليم بيديه في معكوسة يزيد من خطورة الإصابة الشخصية ويجب ألا يحدث أبداً.

(c) احرص على مسك منشار التقليم من خلال أسطح قابضة معزولة فقط. نظراً لأن سلسلة المنشار قد تلامس الأسلاك الخفية. قد تجعل سلاسل المنشار التي تلامس سلكاً متصلاً بالكهرباء الكهر المعننية المكشوفة من سلسلة المنشار "متصلة بالكهرباء" مما قد يصيب العامل بصدمة كهربائية.

(d) احرص على ارتداء حماية للعين. ويوصى بارتداء معدات حماية أخرى للأذن والראس واليدين والساقين والقدمين. تساعد معدات الحماية الكافية في تقليل الإصابة الشخصية من الحطام المتطاير أو التلامس العارض مع سلسلة المنشار.

(e) لا تشغّل منشار التقليم في قطع شجرة وأنت واقف على سلم أو من سطح مبنى أو أي داعم غير ثابت. فقد يؤدي تشغيل منشار التقليم بهذه الطريقة إلى إصابة شخصية خطيرة.

(f) احرص دوماً على توفير الأريضة المناسبة ولا تشغّل منشار التقليم إلا عندما تقف على سطح ثابت وآمن ومستو. قد تؤدي الأسطح الزلقة أو غير المستوية إلى فقدان التوازن أو التحكم في منشار التقليم.

(g) عند قطع ضمن مشوداً، كن حذراً من الارتداد الخلفي. فعند تحرير الشد الموجود في الألياف الخشبية، قد يرتد الغصن المحمل على نابض في المشغّل و/أو يتسبب في سقوط منشار التقليم خارج السيطرة.

(h) توخ الحذر الشديد عند قطع الأيكة والملتلات. قد تشابك المواد الضئيلة مع سلسلة المنشار وترتج باتجاهك أو تنفك توازنك.

(i) يجب عليك حمل منشار التقليم بالقبضة الأمامي مع إيقاف تشغيله وإبعاده عن جسمك. عند نقل أو تخزين منشار التقليم، احرص دوماً على تثبيت غطاء القضيب الدليلي. يؤدي التعامل السليم مع منشار التقليم إلى تقليل احتمالية التلامس العارض مع سلسلة المنشار المتحركة.

(j) اتبع تعليمات التزليق وشد السلسلة وتغيير القضيب والسلسلة. قد تؤدي السلسلة المشدودة أو المزلفة بطريقة غير سليمة إلى كسر ها أو زيادة فرصة ارتدادها بقوة.

(k) احرص على إبقاء المقابض جافة ونظيفة وخالية من الزيت والشحم. فالمقابض الشحمية أو

الربط

يربط فقط بالشرطة تمتص الطاقة. لا تربط الحبل إلا بحلقة الشريط.

لا تربط الحبل بالمقبض أو غطاء قضيب التوجيه أو أي نقطة أخرى على الآداة.

تأكد من تثبيت جميع أجهزة الحماية والمقابض والمصد ذي النهاية المدببة جيداً ومن أنها بحالة جيدة.

يجب أن يكون الأشخاص الذين يستخدمون منشار التقليم بصحة جيدة. منشار التقليم ثقيل، لذلك يجب أن يكون المشغّل لافياً بدنياً.

يجب أن يكون المشغّل منتبهاً ومنتصباً بروية وقدرة على التنقل وتوازن ومهارة يدوية جيدة. في حالة وجود أي شك، لا تشغّل منشار التقليم.

لا تبدأ استخدام منشار التقليم حتى تتعمق بمنطقه عمل واضحة وأرضية آمنة ومسار انسحاب مخطط بعيداً عن الشجرة التي تسقط كُن حذراً من انبعاث رذاذ التزليق ونشارة الخشب. وقم بارتداء قناع أو كمامة، إذا كان ذلك مطلوباً.

لا تقطع النباتات المعرشة و/أو الشجيرات الصغيرة.

احرص على مسك منشار التقليم بيديك اللتين خلال التشغيل. استخدم قبضة قوية من خلال إحاطة أصبعي الإبهام والأصابع بمقابض منشار التقليم. يتعين أن تكون يدك اليمنى على المقبض الخلفي ويذك اليسرى على المقبض الأمامي.

قبل بدء تشغيل منشار التقليم، تأكد من عدم ملامسة لسلسلة المنشار لأي جسم.

لا تحل منشار التقليم بأي طريقة أو تستخدمه لتزويد أي ملحقات أو أجهزة غير موصى بها من قبل الشركة المصنعة بالطاقة من أجل منشار التقليم الخاص بك.

يجب أن تكون هناك حقيبة إسعافات أولية تحتوي على ضمادات جروح كبيرة ووسائل لجذب الانتباه (على سبيل المثال، صفير) بالقرب من المشغّل. يجب أن تكون هناك حقيبة أكبر وأشمل قريبة بصورة معقولة.

قد تنفخ السلسلة المشدودة بطريقة غير صحيحة من القضيب الدليلي وتؤدي إلى إصابة خطيرة أو الوفاة. يعتمد طول السلسلة على درجة الحرارة. تحقق من الشد بصورة متكررة.

يجب عليك الاعتياد على استخدام منشار التقليم الجديد لديك من خلال إجراء حالات قطع بسيطة على خشب مدعوم بحكام. احرص على هذا الإجراء في أي وقت تتبعد خلاله عن تشغيل المنشار لبعض الوقت. لتقليل خطر الإصابة المرتبطة بالتلامس مع الأجزاء المتحركة، أوقف المحرك دائماً وأزل مجموعة البطارية وتأكد من توقف جميع الأجزاء المتحركة قبل:

- تنظيف أو إزالة الاسداد
- ترك الآلة دون مراقبة
- تركيب أو إزالة الملحقات
- الفحص أو إجراء صيانة أو العمل على الآلة

يعتمد حجم منطقة العمل على المهمة التي يتم أداؤها وكذلك حجم الشجرة أو قطعة الشغل المعنية. على سبيل المثال، إسقاط شجرة يتطلب منطقة عمل أكبر من إجراء حالات القطع الأخرى، مثل، حالات قطع الحطب، وما إلى ذلك. يجب أن يكون المشغّل واعياً وميسطراً على كل ما يجري في منطقة العمل.

لا تمارس القطع وجسديك في حالة محاذة مع القضيب الدليلي والسلسلة. إذا واجهت حالة ارتداد بقوة، فسيساعد ذلك في منع السلسلة من ملامسة رأسك أو جسدك.

لا تستخدم حركة نشر للخلف واللامام، بل الترك للسلسلة تؤدي العمل. احرص على إبقاء السلسلة حادة ولا تحاول إجبار السلسلة على القطع.

لا تضغط على المنشار في نهاية القطع. كن مستعداً لتحمل وزن المنشار وهو يقطع بمنأى عن الخشب، حيث يؤدي الإخفاق في هذا الأمر إلى إصابة شخصية خطيرة محتملة.

لا توقف المنشار في وسط عملية القطع.

ارتك المنشار يعمل حتى يتبعد بالفعل عن القطع. لا قم بتثبيت مقفاح "تشغيل/إيقاف تشغيل" على الوضع "تشغيل" عند استخدام المنشار المحمول باليد.

انزع الفرطاطية قبل التعامل مع الجهاز.

⚠ تحذير! لتجنب أخطار الحريق أو الإصابة أو الإضرار بالمنتج التي تنجم عن الماس الكهربائي، لا تعمر الآداة أو البطارية القابلة للاستبدال أو جهاز الشحن في السوائل وأحرص على أن لا تصل السوائل إلى داخل الجهاز والبطارية. السوائل المؤدية للتآكل أو الموصلة للتيار الكهربائي، مثل الماء والملح ومزيج كيميائية معينة ومواد التبييض أو المنتجات التي تشتمل على مواد تبييض، يمكن أن تؤدي إلى حدوث ماس كهربائي.

استخدم فقط شواحن System M18 لشحن بطاريات System M18 . لا تستخدم بطاريات من أنظمة أخرى.

لا تقم أبداً بفتح قفل البطارية والشواحن ولا تخزينهم إلا في غرف جافة. وحافظ عليها جاف طوال الوقت.

الذفع والسحب

دائماً ما تكون قوة رد الفعل على عكس اتجاه حركة السلسلة. لذلك، يتعين أن يكون المشغّل مستعداً للتحكم في نزوع الآلة للسحب (الحركة الأمامية) عند القطع في الجزء السفلي من القضيب والذفع للخلف (باتجاه المشغّل) عند القطع على امتداد الحافة العلوية.

المنشار عالق في القطع

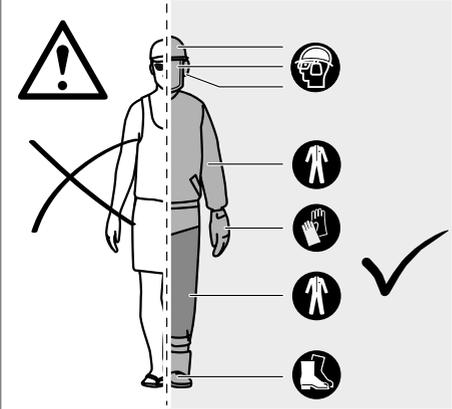
أوقف منشار التقليم واجعله في وضع آمن. لا تحاول إخراج السلسلة والقضيب بقوة من القطع حيث قد يؤدي ذلك إلى كسر السلسلة، والتي قد تتراجم وتصيب المشغّل. ويحدث هذا الموقف عادة لأن الخشب غير مدعوم بصورة صحيحة و هو ما يجبر القطع على إلحاق تحت الضغط، وبالتالي يضغط على الشفرة. إذا لم يتجح ضبط الداعم في تحرير القضيب والسلسلة، فاستخدم أداةاً خشبية أو رافعة لفتح القطع وتحرير المنشار. تجنب بدء تشغيل منشار التقليم عندما يكون القضيب الدليلي في قطع أو شق أو ثقيل.

التزليق / الارتداد

عندما يفضل المنشار السلسلي في الحفر خلال القطع، فقد يبدأ القضيب الدليلي في القفز أو الازنار لاق بصورة خطيرة على سطح الجذع أو الفرع، مما قد يؤدي إلى فقدان القدرة على التحكم في المنشار السلسلي. لمنع حدوث التزحلق أو الارتداد، استخدم دوماً المنشار بيديك معاً مع التأكد من تأسيس المنشار السلسلي لوضع ملائم للقطع. تجنب قطع الفروع أو الأيكات الصغيرة المرنة باستخدام المنشار السلسلي. فقد يتسبب حجمها ومرورتها بسهولة في ارتداد المنشار تجاهك أو تقييده بقوة كافية للتسبب في ارتداد. وتعتبر الآداة الأفضل لهذا النوع من العمل هي المنشار اليدوي أو مقص تقليم الشجر أو الفأس أو غير ذلك من الأدوات اليدوية.

معدات الوقاية الشخصية

يجب عليك ارتداء خوذة في كل الأوقات عند تشغيل الآلة. ويمكن للخوذة المزودة بقناع شبكي المساعدة في تقليل خطر الإصابة بالوجه والرأس في حالة حدوث ارتداد. ارتد واقيات الأذن! تساعد معدات الوقاية الشخصية عالية الجودة، التي تستخدم بواسطة المحترفين، في تقليل خطر الإصابة للمشغّل. ويجب استخدام المعدات التالية عند تشغيل الآلة:



خوذة الأمان

يجب أن تتوافق مع المعيار EN 397 CE وأن تحمل علامة CE

حماية الأذن

يجب أن تتوافق مع المعيار EN 352-1 CE وأن تحمل علامة CE

حماية العين والوجه

يجب أن تحمل علامة CE وأن تتوافق مع المعيار EN 166 (نظارات السلامة) أو EN 1731 (الواقعة الشبكية)

القفازات

يجب أن تتوافق مع المعيار EN381-7 CE وأن تحمل علامة CE

حماية الأرجل (رفعة جلدية)

يجب أن تتوافق مع المعيار EN 381-5 CE وأن تحمل علامة CE وأن توفر حماية من كل الجوانب يجب أن تتوافق مع المعيار EN 381-5 CE وأن تحمل علامة CE وأن توفر حماية من كل الجوانب

حذاء الأمان الطويل الخاص بمنشار التقليم

يجب أن يتوافق مع المعيار EN ISO 20345:2004 EN ISO 13813 CE وأن يكون مبرزاً بدرج بصور منشار التقليم لإظهار التوافق مع المعيار EN 381-3 CE. (قد تستخدم المستعملون من أن لأخر حذاء الأمان الطويل الفولاذي الذي يغطي إصبع القدم مع لفافات ساق واقية تتوافق مع المعيار EN 381-9 إذا كانت الأرض مستوية وكانت خطورة التمزق أو التشابك في الشجيرات قليلة)

سرتارت منشار التقليم لحماية الجزء العلوي من الجسم

يجب أن تتوافق مع المعيار EN 381-11 CE وأن تحمل علامة CE

التعرف على مكونات منشار التقليم		
1	المقبض الأمامي	11 المصد ذو النهاية المدببة
2	واقي اليد اليمنى	12 سلسلة المنشار
3	جهاز الإغلاق	13 القضيب الدليلي
4	مفتاح الطاقة	14 وضع القضيب
5	المقبض الخلفي	15 إدارة المفرك
6	غطاء تزليق السلسلة	16 غطاء محرك مسدن
7	خزان زيت السلسلة	17 برغي شد السلسلة
8	واقي اليد الخلفي	18 صامولة تركيب القضيب
9	مفتاح ربط مؤتلف	19 غطاء القضيب الدليلي
10	البطارية	

EC DECLARATION OF CONFORMITY

We declare as the manufacturer under our sole responsibility that the product described under "Technical Data" fulfills all the relevant regulations and directives listed below and that the following harmonized standards have been used.

EG-KONFORMITÄTSEKLERUNG

Wir erklären als Hersteller in alleiniger Verantwortung, dass das unter „Technische Daten“ beschriebene Produkt alle nachstehend aufgeführten relevanten Verordnungen und Richtlinien erfüllt und dass die folgenden harmonisierten Normen angewandt wurden.

DÉCLARATION CE DE CONFORMITÉ

Nous déclarons en tant que fabricant et sous notre seule responsabilité, que le produit décrit dans « Données techniques » est conforme à toutes les réglementations et directives pertinentes mentionnées ci-après et que les normes harmonisées suivantes ont été appliquées.

DICHIARAZIONE CE DI CONFORMITÀ

In qualità di produttore dichiariamo sotto la nostra esclusiva responsabilità che il prodotto descritto nei "Dati tecnici" è conforme a tutti i regolamenti e tutte le direttive pertinenti elencati qui di seguito e che sono state usate le seguenti norme armonizzate.

DECLARACIÓN CE DE CONFORMIDAD

Declaramos como fabricante y bajo nuestra responsabilidad que el producto descrito bajo "Datos técnicos" está en conformidad con todos los reglamentos y directivas detallados a continuación y que se han utilizado las siguientes normas armonizadas.

DECLARAÇÃO CE DE CONFORMIDADE

Como fabricante, declaramos sob responsabilidade exclusiva, que o produto descrito sob "Dados Técnicos" corresponde com todos os regulamentos relevantes e diretivas abaixo que as seguintes normas harmonizadas foram utilizadas.

EG-VERKLARING VAN OVEREENSTEMMING

Wij als fabrikant verklaren in uitsluitende verantwoording dat het onder "Technische gegevens" beschreven product aan alle onderstaand vermelde relevante verordeningen en richtlijnen voldoet en dat de volgende geharmoniseerde normen werden toegepast.

EF-OVERENSSTEMMELSESERKLÆRING

Vi erklærer som producent og eneansvarlig, at produktet, der er beskrevet under "Tekniske data", opfylder kravene i alle relevante forordninger og direktiver som nævnt nedenfor og at nedenstående harmoniserede standarder er blevet anvendt.

EF-SAMSVARSERKLÆRING

Som producent erklærer vi under eget ansvar at produktet som beskrives under « Tekniske data » opfylder alle relevante forordninger og direktiver som står opført nedenfor og at de følgende harmoniserede standarder har blitt brukt.

EG-FÖRSÄKRAN ÖVERENSSTÄMMELSE

Vi som tillverkare förklarar under eget ansvar, att den produkt som beskrivs under "Tekniska data" överensstämmer med alla de nedan angivna relevanta förordningarna och direktiven och att de följande harmoniserade normen har tillämpats.

EY-VAATIMUSTENMUKAISUUSVAKUUTUS

Vakuutamme valmistajan ominaisuudessa yksinvastuullisesti, että kohdassa "Tekniset tiedot" kuvattu tuote täyttää kaikki seuraavassa luetellut sitä koskevat asetukset ja direktiivit ja että seuraavia harmonisoituja standardeja on sovellettu.

ΑΝΩΣΗ ΣΥΜΜΟΡΦΩΣΗΣ ΕΚ

Ως κατασκευαστής δηλώνουμε υπεύθυνα ότι το προϊόν που περιγράφεται στο κεφάλαιο «Τεχνικά Χαρακτηριστικά», πληροί όλους τους κανονισμούς κι όλες τις οδηγίες που αναφέρονται σχετικά παρακάτω, και για το οποίο έχουν εφαρμοστεί τα ακόλουθα εναρμονισμένα πρότυπα.

AT UYGUNLUK BEYANI

Üretici sıfatıyla tek sorumlu olarak "Teknik Veriler" bölümünde tarif edilen ürünün aşağıda sıralanan bütün ilgili yönetmelik ve direktiflere uygun olduğunu ve aşağıdaki uyumlaştırılmış standartların kullanılacağını beyan etmekteyiz.

ES PROHLÁŠENÍ O SHODĚ

My jako výrobce prohlašujeme na svou vlastní odpovědnost, že produkt popsaný v části „Technické údaje“ splňuje všechna příslušná nařízení a směrnice uvedené níže a že byly použity následující harmonizované normy.

ES VYHLÁŠENIE O ZHODE

My ako výrobca vyhlasujeme na vlastnú zodpovednosť, že produkt popísaný v časti „Technické údaje“ spĺňa všetky príslušné nariadenia a smernice uvedené nižšie a že boli použité nasledujúce harmonizované normy.

DEKLARACJA ZGODNOŚCI WE

Jako producent oświadczamy na naszą wyłączną odpowiedzialność, że produkt opisany w punkcie „Dane techniczne” odpowiada wszystkim poniższym istotnym rozporządzeniom oraz dyrektywom, a także iż zastosowano poniższe zharmonizowane normy.

EK-MEGFELELŐSÉGI NYILATKOZAT

Gyártóként egyedüli felelősséggel kijelentjük, hogy a „Műszaki Adatok” alatt leírt termék megfelel a következőkben felsorolt minden releváns rendeletnek és irányelvnek, és hogy a következők harmonizált szabványok kerültek használatra.

ES-IZJAVA O SKLADNOSTI

Mi kao proizvođač izjavljujemo na osobnu odgovornost, da je proizvod, opisan pod "Tehnički podaci", sukladan sa svim relevantnim propisima i u nastavku navedenim smjernicama i harmoniziranim normativima dokumenata.

IZJAVA O SUKLADNOSTI

Mi kao proizvođač izjavljujemo na osobnu odgovornost, da proizvod opisan pod "Tehnički podaci", ispunjava sve u nastavku navedene relevantne odredbe i smjernice i da su sljedeće harmonizirane norme bile primijenjene.

EK ATBILSTĪBAS DEKLARĀCIJA

Mēs kā ražotājs un vienīgā atbildīgā persona apliecinām, ka "Tehniskajos datos" raksturotais produkts atbilst visiem attiecīgajiem noteikumiem un vadlīnijām, kas uzskaitītas turpmāk, un ka ir izmantoti šādi saskaņotie standarti.

EB ATTIKTIES DEKLARĀCIJA

Gamintojo vardu atsakingai pareiškiamo, kad gaminy, aprašytas skryliuje „Techniniai duomenys“, atitinka visus toliau išvardytus susijusių reglamentų, direktyvų ir darniųjų standartų taikomus reikalavimus.

EÜ VASTAVUSDEKLARATSIOON

Kinnitame tootjana ainuiskuliselt vastutades, et jaotises „Tehnilised andmed“ kirjeldatud toode on kooskõlas alpool nimetatud direktiivide asjaomaste eeskirjade ja ühtlustatud normdokumentidega ning et on kasutatud järgmisi ühtlustatud standardeid.

ДЕКЛАРАЦИЯ СООТВЕТСТВИЯ ЕС

Мы как производитель под собственную ответственность заявляем о том, что описанное в разделе «Технические характеристики» изделие отвечает всем нижеперечисленным соответствующим предписаниям и директивам и что в отношении него применяются следующие гармонизированные стандарты.

DEKLARACIJA ZA СЪОТВЕТСТВИЕ НА ЕО

В качеството си на производител декларираме на собствена отговорност, че продуктът, описан в „Технически данни“, отговаря на всички изброени по-нататък приложими регламенти и директиви и че са използвани посочените хармонизирани стандарти.

DECLARAȚIE DE CONFORMITATE CE

În calitate de producător declarăm pe propria răspundere că produsul descris la "Date tehnice" este în concordanță cu toate regulamentele și directivele relevante de mai jos și că au fost utilizate următoarele norme armonizate.

EK-DEKLARACIJA ZA SOOBRAZNOT

Kako proizvođač, izjavjuvamo pod celopisna odgovornost дека производот опишан во „Технички податоци“ подолу е во согласност со сите релевантни одредби и регулативи наведени подолу и дека се користени следниве усогласени стандарди.

ДЕКЛАРАЦІЯ ЄС ПРО ВІДПОВІДНІСТЬ

Як виробник, ми заявляємо на власну відповідальність, що виріб, описаний у розділі „Технічних даних“, відповідає всім застосованим положенням директив і приписам перерахованим нижче, і що щодо нього були використані наступні гармонізовані стандарти.

إقرار المطابقة وفقاً للوائح الاتحاد الأوروبي
موجب هذا نقر نحن كشركة منتجة وعلى مسؤوليتنا المنفردة، أن المنتج الموصوف تحت "البيانات الفنية" يطابق جميع الأوامر والتوجيهات الهامة المذكورة فيما يلي وقد جرى فيها استخدام معايير التوافق التالية.

2011/65/EU (RoHS)

2014/30/EU

2006/42/EC

2000/14/EC

2005/88/EG

EN 62841-1:2015 + A11:2022

EN IEC 55014-1:2021

EN IEC 55014-2:2021

EN IEC 63000:2018

Notified body, 0366, VDE Prüf- u. Zertifizierungsinstitut, Merianstrasse 28, D-63069 Offenbach, Germany has carried out the EC type approval and the certificate No. is 40055684.

Measured sound power level: 76,2 dB (A)

Guaranteed sound power level: 79 dB (A)

Conformity assessment to Annex V Directive 2000/14/EC amended by 2005/88/EC.

Winnenden, 2023-01-09



Alexander Krug
Managing Director



Authorized to compile the technical file
Bevollmächtigt die technischen Unterlagen zusammenzustellen.

Autorisé à compiler la documentation technique.

Autorizzato alla preparazione della documentazione tecnica

Autorizado para la redacción de los documentos técnicos.

Autorizado a reunir a documentação técnica.

Gemachtigd voor samenstelling van de technische documenten

Autoriseret til at udarbejde de tekniske dokumenter.

Autorisert til å utarbeide den tekniske dokumentasjonen

Befullmäktigad att sammanställa teknisk dokumentation.

Valtuutettu kokoamaan tekniset dokumentit.

Εξουσιοδοτημένος να συντάξει τον τεχνικό φάκελο.

Teknik evrakları hazırlamakla görevlendirilmiştir.

Zplnomocněný k sestavování technických podkladů.

Splnomocnený zostaviť technické podklady.

Upelnomocniony do zestawienia danych technicznych

Műszaki dokumentáció összeállításra felhatalmazva

Pooblaščen za izdelavo spisov tehnične dokumentacije.

Ovlašten za formiranje tehničke dokumentacije.

Pilnvarotais tehnikās dokumentācijas sastādīšanā.

Igaliotas parengti techninius dokumentus.

On volitatud koostama tehniilist dokumentatsiooni.

Уполномочен на составление технической документации.

Упълномощен за съставяне на техническата документация

Împuternicit să elaboreze documentația tehnică.

Ополномоштен за составување на техничката документација.

Уповноважений із складання технічної документації.

معمدة للمطابقة مع الملف الفني

Techtronic Industries GmbH
Max-Eyth-Straße 10
71364 Winnenden
Germany

GB-DECLARATION OF CONFORMITY

We declare as the manufacturer under our sole responsibility that the product described under "Technical Data" fulfills all the listed below relevant regulations and that the following designated standards have been used.

S.I. 2012/3032 (as amended)

S.I. 2016/1091 (as amended)

S.I. 2008/1597 (as amended)

S.I. 2001/1701 (as amended)

BS EN 62841-1:2015 + A11:2022

BS EN IEC 55014-1:2021

BS EN IEC 55014-2:2021

BS EN IEC 63000:2018

Notified body, 0673, Technology International (Europe) Ltd., 56 Shrivensham Hundred Business Park, Shrivensham, Swindon, SN6 8TY, United Kingdom has carried out UK type approval and the certificate.

Measured sound power level: 76,2 dB (A)

Guaranteed sound power level: 79 dB (A)

Conformity assessment procedure according to S.I. 2001/1701

(as amended) Schedule 8.

Winnenden, 2023-01-09



Alexander Krug
Managing Director

Techtronic Industries GmbH
Max-Eyth-Straße 10
71364 Winnenden
Germany

Authorized to compile the technical file:

Techtronic Industries (UK) Ltd
Parkway
Marlow, SL7 1YL
UK

Copyright 2023
Techtronic Industries GmbH
Max-Eyth-Straße 10
71364 Winnenden
Germany
+49 (0) 7195-12-0
www.milwaukeeetool.eu

Techtronic Industries (UK) Ltd
Parkway
Marlow, SL7 1YL
UK

(01.23)
4931 4252 83