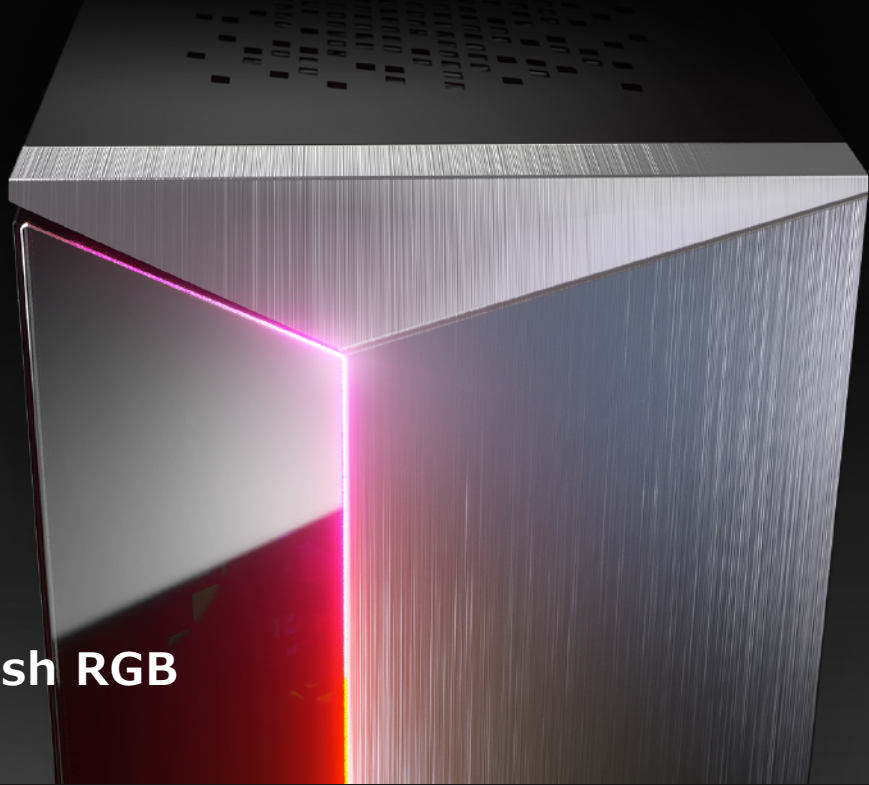


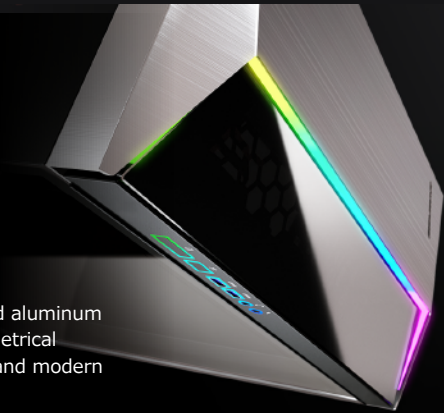


DarkBlader-G



Premium and Stylish RGB Full Tower Case

DISTINCTIVE STYLE WITH ELEGANT DESIGN



DarkBlader-G's brushed aluminum front panel and asymmetrical design bring a unique and modern style to your build.

ENJOY THE DAZZLING RGB SHOW

The integrated lighting button with built-in LED controller allows DarkBlader-G to display amazing lighting effects. It can also work to a compatible motherboards' 5V connection for system-wide lighting synchronization. The powerful lights come out of stylish panel and the reflective surroundings helps reinforce the RGB effects.



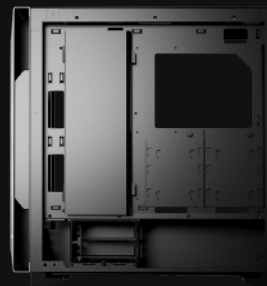
MASSIVE VISIBILITY

The full tempered glass panels not only help you to display the interior high-end components, but also showcase the stunning RGB lighting.



ULTIMATE CABLE MANAGEMENT

The cable management bar at the left side and the cable management cover at the other side provide a clean view and excellent airflow. Moreover, the graphic card holder helps your high-performance components with better stability.



TOP-NOTCH GAMING HARDWARE

To offer top-notch performance, DarkBlader-G is able to house a mighty build. Its excellent support for high-end graphics cards and up to E-ATX motherboards bring you unprecedented levels of freedom when designing your system.





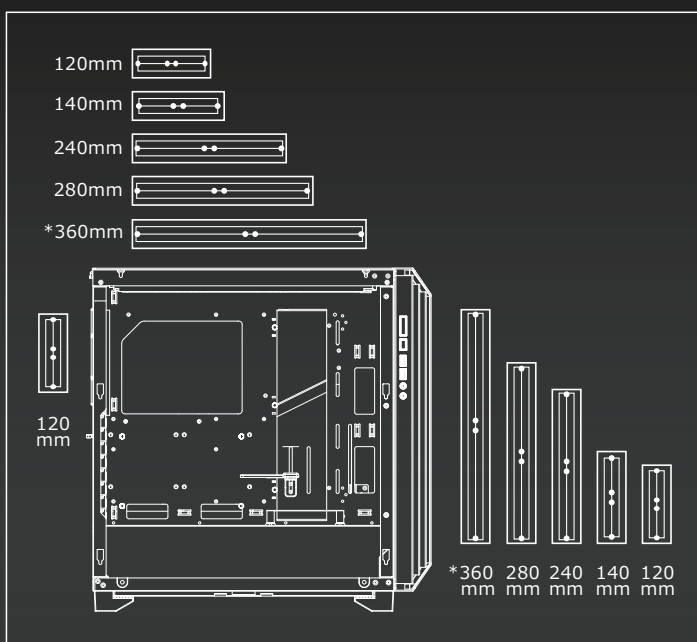
DarkBlader-G

Premium and Stylish RGB Full Tower Case

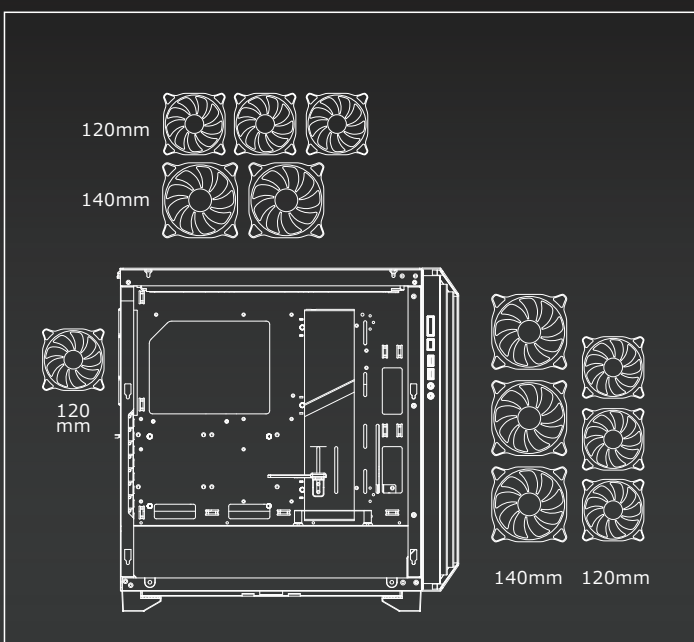
SUPERIOR COOLING

DarkBlader-G allows you to create impressive cooling solutions. With great support for up to 360mm water cooling radiator and seven fans, you will enjoy more than enough cooling horsepower to keep advanced components safe from overheating.

Water cooling radiator support



Air cooling support



* Choose either of front or top to install a 360mm radiator.

SPECIFICATIONS

Case Type	Full Tower	Water Cooling Support	Front : *360mm / 280mm / 240mm / 140mm / 120mm Top : *360mm / 280mm / 240mm / 140mm / 120mm Rear : 120mm
Motherboard Type	Mini ITX / Micro ATX / ATX / CEB / **E-ATX	Cooling Fan Support	Front : 140mm x 3 / 120mm x 3 Top : 140mm x 2 / 120mm x 3 Rear : 120mm x 1 (pre-installed)
Dimension (WxHxD)	232 x 523 x 518 (mm) / 9.13 x 20.59 x 20.39 (in)	Maximum Number of Fans	7 Max.
Case Drive Bays	3.5" : 4max. 2.5" : 4max.	Max. Graphics Card Length	380 (mm) / 15 (in)
I/O Panel	USB 3.0 x 2 / Mic x1 / Audio x1 / RGB Control Button x1	Max. CPU Cooler Height	170 (mm) / 6.7 (in)
Expansion Slots	8+2	Onboard Lighting System	Integrated Lighting with Addressable RGB LEDs and Dynamic Lighting Effects in the Front Panel
Max. PSU Length	200 (mm) / 7.9 (in)		

* * Please remove the cable bar before installing an E-ATX motherboard.

* Choose either of front or top to install a 360mm radiator.

PACKING DATA

Product Name	DarkBlader-G	Individual Size W/O Packaging Weight (N.Weight)	14.3 (kg)
Product Number (P/N)	3858M30.0002	Individual Packaging Weight (G.Weight)	16.4 (kg)
EAN CODE	4715302444983	Individual Size W/O Packaging (WxHxD)	232 x 518 x 523 (mm) / 9.13 x 20.4 x 20.6 (in)
UPC CODE	192554001586	Individual Packaging Size (WxHxD)	334 X 610 x 618 (mm) / 13.14 x 24.01 x 24.33 (in)
JAN CODE	4541995034183		