

IR-RC



- , Art.-Nr.: 92000

Product Information

- Infrared remote control for conveniently setting or changing parameters
- Comes complete with a wall bracket
- Easy programming of RC-plus next 130/230/280 motion detectors, FL2N-LED-230 and AL5-RC-plus next exterior floodlights, and AL2-RC-plus exterior light

Technical Data

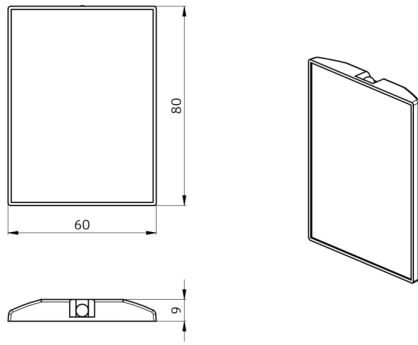
Battery: 3,0 V Lithium CR2032 (inclusive)

Dimensions: 80 x 60 x 8 mm

Transmit range:
clouded/dark: max. 5 to 6 m
sunshine: max. 2 to 3 m

Description

Description	Colour	Part number	EAN number
IR-RC	-	92000	4007529920006



Dimensions 92000

© 2022 B.E.G. Brück Electronic GmbH