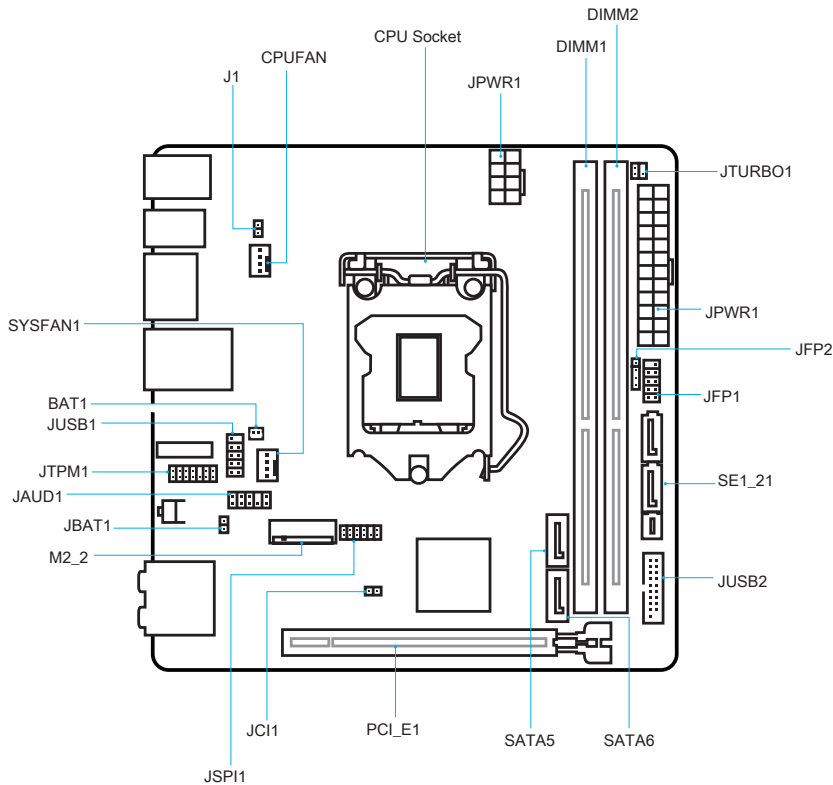


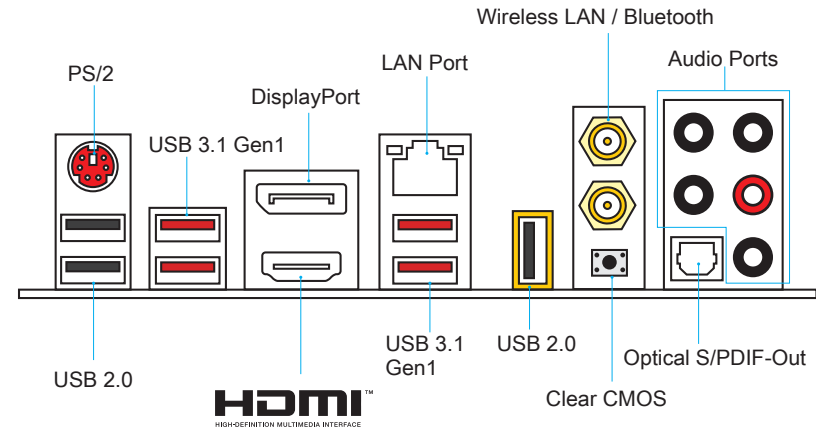
Z170I GAMING PRO AC

(MS-7980v1.0)
Mini-ITX Motherboard

Motherboard Components Overview



Rear I/O Panel



Motherboard Specification

CPU Support

- Supports 6th Gen Intel® Core™ i3/i5/i7 processors, and Intel® Pentium® and Celeron® processors for Socket LGA1151

Chipset

- Intel® Z170 Express Chipset

Memory Support

- 32GB
 - ▶ Supports DDR4 3600(OC)/ 3200(OC)/ 3000(OC)/ 2800(OC)/ 2600(OC)/ 2400(OC)/ 2133 MHz
- Dual channel memory architecture
- Supports non-ECC, un-buffered memory
- Supports Intel® Extreme Memory Profile (XMP)

Expansion Slots

- 1x PCIe 3.0 x16 slot

Onboard Graphics

- 1x HDMI™ port, support a maximum

resolution of 4096x2160@24Hz, 2560x1600@60Hz

- 1x DisplayPort, support a maximum resolution of 4096x2304@24Hz, 2560x1600@60Hz, 3840x2160@60Hz, 1920x1200@60Hz

Storage

- Intel® Z170 Express Chipset
- 4x SATA 6Gb/s ports
- 1x M.2 port, supports PCIe 3.0 x4 and SATA 6Gb/s standards, 4.2cm/ 6cm length SSD cards
- 1x SATAe port (PCIe3.0x2)
- Supports RAID 0, RAID1, RAID 5 and RAID 10
- Supports Intel® Smart Response Technology, Intel® Rapid Start Technology and Intel® Smart Connect Technology***

** SATAe port is backward compatible with SATA.

*** Supports Intel® Core processors on Windows® 7 and Windows® 8/ 8.1.

Motherboard Specification

USB

- Intel® Z170 Express Chipset
 - ▶ 6x USB 3.1 Gen1 (SuperSpeed USB) ports (4 ports on the back panel, 2 ports available through the internal USB connector)
 - ▶ 5x USB 2.0 ports (3 ports on the back panel, 2 ports available through the internal USB connectors)

Audio

- Realtek® ALC1150 Codec
- 7.1-Channel High Definition Audio
- Supports S/PDIF output

LAN

- 1x Intel® I219-V Gigabit LAN controller

Wireless LAN / Bluetooth

- Wi-Fi/Bluetooth expansion module with Intel Dual Band Wireless-AC 8260 chip

Back Panel Connectors

- 1x PS/2 keyboard/ mouse port
- 3x USB 2.0 ports
- 1x WIFI/BT
- 1x Clear CMOS button
- 1x HDMI™ port
- 1x DisplayPort
- 4x USB 3.1 Gen1 (SuperSpeed USB) ports
- 1x LAN (RJ45) port
- 1x Optical S/PDIF OUT connector
- 5x OFC audio jacks

Internal Connectors

- 1x 24-pin ATX main power connector
- 1x 8-pin ATX 12V power connector
- 4x SATA 6Gb/s connectors
- 1x USB 2.0 connector (supports additional 2 USB 2.0 ports)
- 1x USB 3.0 connector (Supports additional 2 USB 3.0 ports)
- 1x 4-pin CPU fan connector

- 1x 4-pin system fan connector
- 1x Front panel audio connector
- 2x Front panel connectors
- 1x TPM module connector
- 1x Chassis Intrusion connector

I/O Controller

- NUVOTON NCT5563 Controller Chip

Hardware Monitor

- CPU/System temperature detection
- CPU/System fan speed detection
- CPU/System fan speed control

BIOS Features

- 1x 128 Mb flash
- UEFI AMI BIOS
- ACPI 5.0, PnP 1.0a, SM BIOS 2.7, DMI 2.0
- Multi-language

Special Features

- DDR4 Boost Support
- PCI Express 3.0 Support
- Turbo M.2 Ready
- SATA Express Support
- NVMe / AHCI Driver Support

Enthusiast GAMING features

- Audio Boost 3
- Game Boost
- GAMING LAN
- GAMING APP
- Optimized Thermal Design

MSI Exclusive features

- Click BIOS 5
- Military Class 5
- Command Center
- RAM Disk
- Live Update 6
- M-Cloud

- ECO Center
- USB Audio Power

Form Factor

- mini-ITX Form Factor
- 6.7 in. x 6.7 in. (17.0 cm x 17.0 cm)