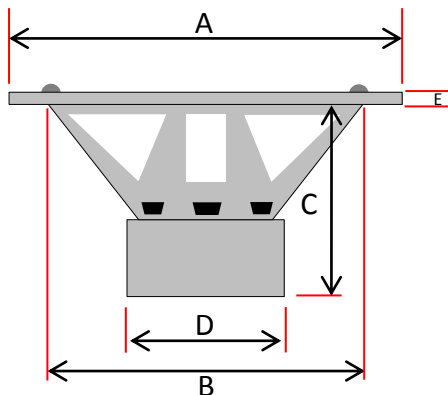




TECHNICAL SPECIFICATIONS

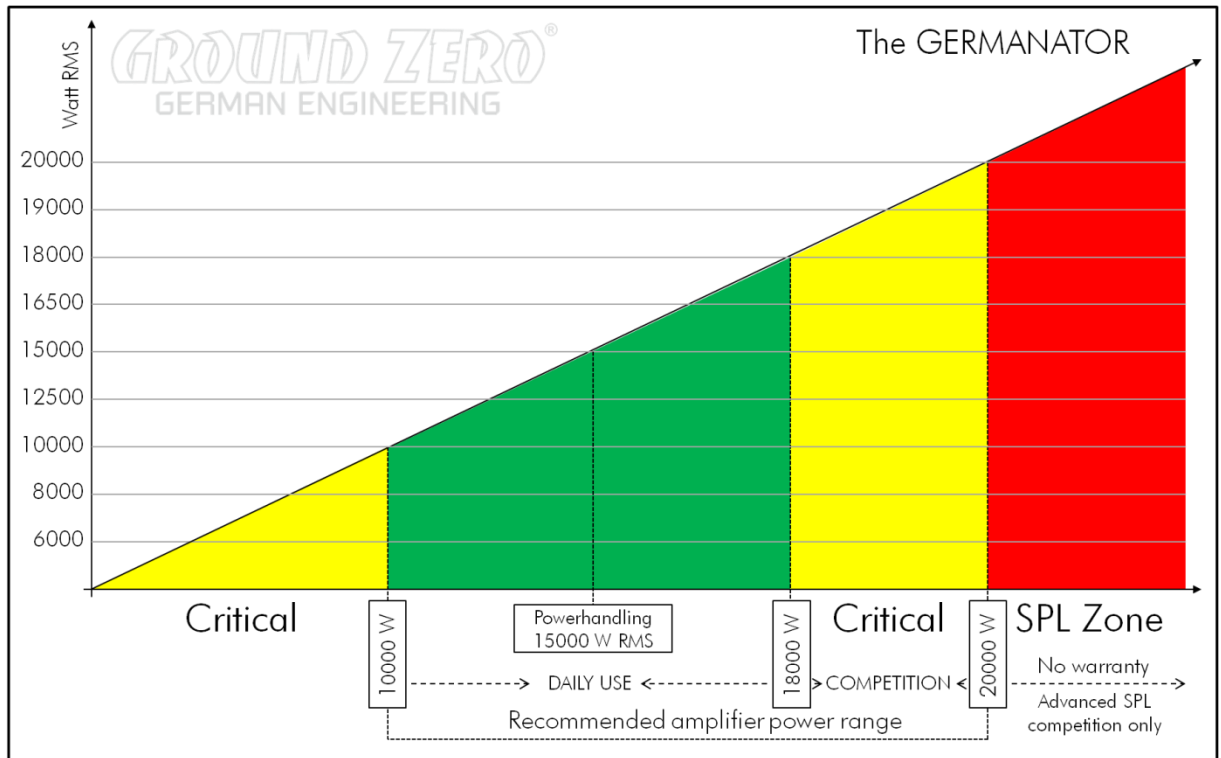
Product name	The GERMANATOR	Gasket	Aluminum cast
Product type	Subwoofer chassis	Terminal	10 mm ² / 7 AWG wire
Diameter	840 mm / 33"	Power handling	15000 W RMS
Mounting diameter	771 mm / 30.35"	Impedance	2 x 1 Ohm
Mounting depth	420 mm / 16.54"	Re	2 Ohm
Magnet dimension	330 x 170 x 25 mm	FS	24.42 Hz
Total weight	96 KG	Qms	5.087
Voice coil diameter	160 mm / 6" Flat Wire	Qes	0.57
Voice coil winding height	80 mm / 3.15"	Qts	0.513
Voice coil wire material	CCA	Mms	1872 gr
Voice coil former material	Aluminum	BL	30.1 N/A
Top plate height	35 mm / 1.378"	SPL (1w/1m)	94 dB
Linear excursion (one direction)	22,5 mm / 0.89"	VAS	534 L / 18.86 cu.ft
Effective Xmax	70 mm / 2.76"	Le	1.6 mH
Top Plate and T-Yoke color	Black machined	Recommended freq. response	20 – 60 Hz
Basket material	Aluminum Cast	Recommended amplifier power	10 – 20 kW RMS @ 2 Ohm / 0,5 Ohm
Basket color	Yellow	Sound Quality	⊙⊙⊙⊙ (max. ⊙⊙⊙⊙⊙⊙)
Spider	5x Progressive Nomex	SPL Competition	⊙⊙⊙⊙⊙⊙ (max. ⊙⊙⊙⊙⊙⊙)
Surround	High Roll Sandwich Foam	Low bass performance 20-50Hz	⊙⊙⊙⊙⊙⊙+ (max. ⊙⊙⊙⊙⊙⊙)
Cone	Reinforced paper	Mid bass performance 50-80Hz	⊙⊙⊙⊙ (max. ⊙⊙⊙⊙⊙⊙)
Dustcap	IMPP konvex		
Magnetcover	Sticker		



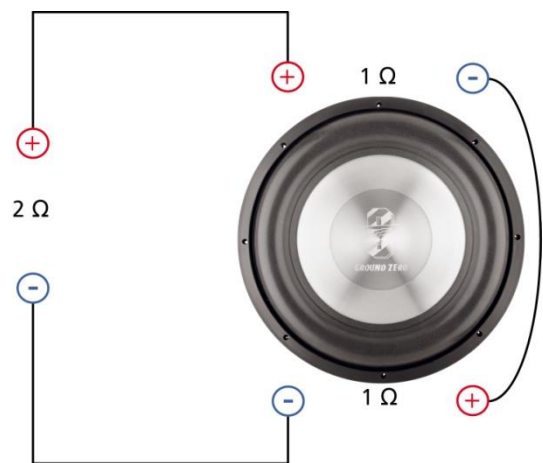
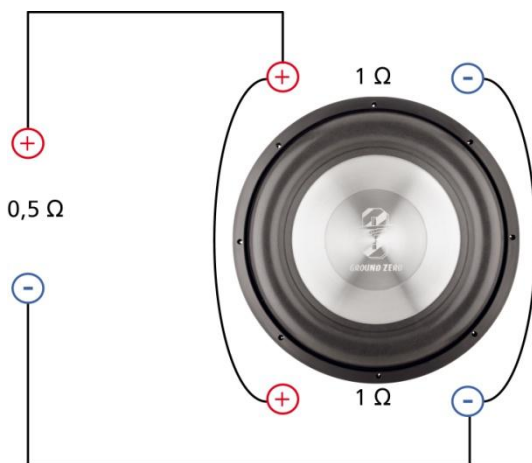
A	840 mm / 33"
B	771 mm / 30.35"
C	420 mm / 16.54"
D	330 mm / 13"
E	49 mm / 1.9"



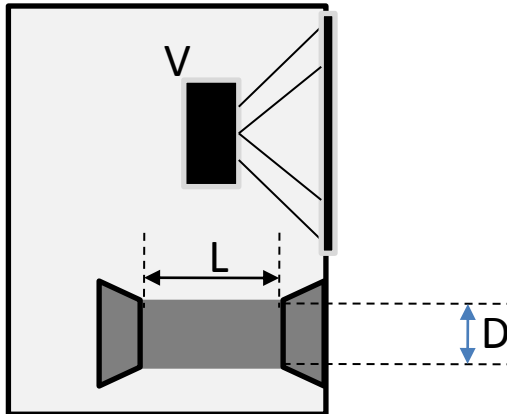
AMPLIFIER RECOMMENDATION



WIRING



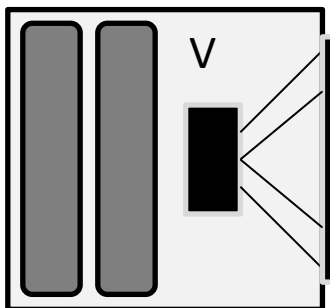
BOX RECOMMENDATION



Vented box

V: 600 L / 21.19 cu.ft
D: 1000 cm² / 155 inch²
L: 530 mm / 20.87"

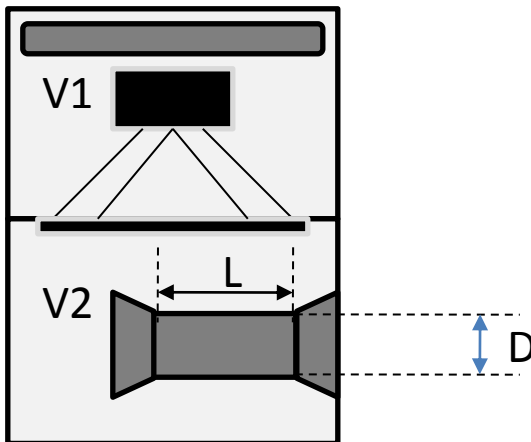
No damping



Vented box

V: 400 L / 14.12 cu.ft
D: 1000 cm² / 155 inch²
L: 560 mm / 22.05"

No damping



Sealed box

240 – 350 L / 8.47– 12.36 cu.ft
Qtc 0.92 – 0.82

40 - 60% polyester wool

Bandpass box

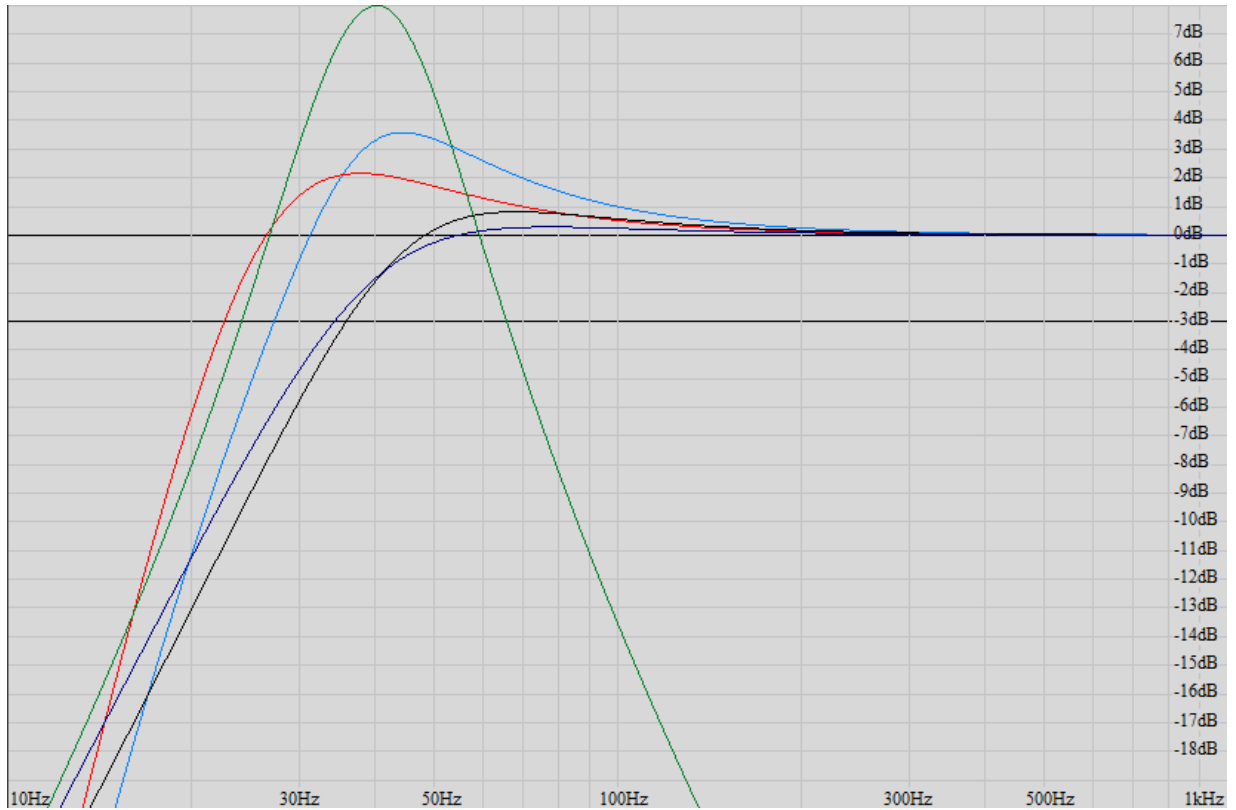
V1: 330 L / 11.65 cu.ft
V2: 500 L / 17.66 cu.ft
D: 2000 cm² / 310"
L: *400 mm / 15.75"

20% polyester wool in V1
No damping in V2

Die hier aufgeführten Gehäusevorschläge sind nur einige, der möglichen Varianten.
Bitte beachten Sie zudem, dass die finale Abstimmung, speziell die Port Längen je nach Fahrzeug und eigenem Geschmack variiert werden sollte.
*Above-mentioned enclosure recommendations are just a few possible variations.
Please note that you should find the perfect tuning, especially port length, based on your car and own taste.*



BOX RECOMMENDATION



Curve	Type	Volume	F3/ Qtc
Red	Vented	600 L / 21.19 cu.ft	22.7 Hz
Blue	Vented	400 L / 14.12 cu.ft	27.3 Hz
Black	Sealed	240 L / 8.47 cu.ft	36 Hz / 0.92
Darkblue	Sealed	350 L / 12.36 cu.ft	34 Hz / 0.82
Green	Bandpass 4th order	V1: 330 L / 11.65 cu.ft V2: 500 L / 17.66 cu.ft	Centerfreq. 40 Hz Bandwidth 24 – 65 Hz

Die hier aufgeführten Gehäusevorschläge sind nur einige, der möglichen Varianten.
 Bitte beachten Sie zudem, dass die finale Abstimmung, speziell die Port Längen je nach Fahrzeug und eigenem Geschmack variiert werden sollte.
*Above-mentioned enclosure recommendations are just a few possible variations.
 Please note that you should find the perfect tuning, especially port length, based on your car and own taste.*

