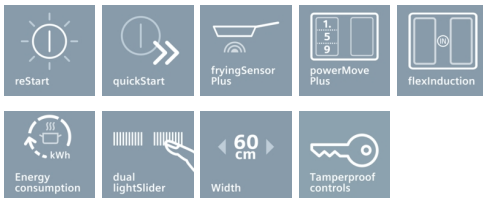


iQ700
EX675LXC1E Induction Hob
Stainless Steel side trim with bevelled front edge
602 mm



Induction cooktop with innovative features that enable highly flexible cooking in any situation.

- ✓ dual lightSlider lets you easily and intuitively operate the cooktop.
- ✓ powerMove Plus enables intuitive control thanks to three heating zones with different temperatures, just by moving the pan
- ✓ fryingSensor: maintains the desired pan temperature automatically after heating up to avoid scorching.

Features

Technical Data

Product name/family : Cooking zone ceramic
 Construction type : Built-in
 Energy input : Electric
 Total number of positions that can be used at the same time : 4
 Required niche size for installation (HxWxD) : 51 x 560-560 x 490-500
 Width of the product (mm) : 602
 Dimensions of the product (mm) : 51 x 602 x 520
 Dimensions of the packed product (HxWxD) (mm) : 126 x 603 x 753
 Net weight (kg) : 14.0
 Gross weight (kg) : 15.0
 Residual heat indicator : Separate
 Location of control panel : Hob front
 Basic surface material : Ceramic
 Color of surface : Alu, brushed, Black
 Color of frame : Alu, brushed
 Approval certificates : AENOR, CE
 Length of electrical supply cord (cm) : 110
 EAN code : 4242003716885
 Electrical connection rating (W) : 7400
 Current (A) : 32; 2*16
 Voltage (V) : 220-240
 Frequency (Hz) : 60; 50



Optional accessories

- HZ390230 System pan diameter 21cm
- HZ390011 Stainless Steel roaster with glas lid

iQ700
EX675LXC1E Induction Hob
Stainless Steel side trim with bevelled
front edge
602 mm

Features**Control:**

- Dual lightSlider
- fryingSensor plus with 5 temperature settings

Special features

- 2 flexInduction zones
- 4 induction cooking zones
- powerMove plus
- reStart function
- Timer for all zones
 - Acoustic signal
 - Count up timer
- Keep warm function
- 17 power levels
- Power boost setting
- panBoost
- Energy Consumption Display

Safety Features

- Automatic pan recognition
 - Connection current management (20, 16, 13, 10 Amps options)
 - Automatic safety switch off
 - Control panel lock
 - Control panel pause
- 2 stage residual heat indicators
- Main on/off switch

Power and size:

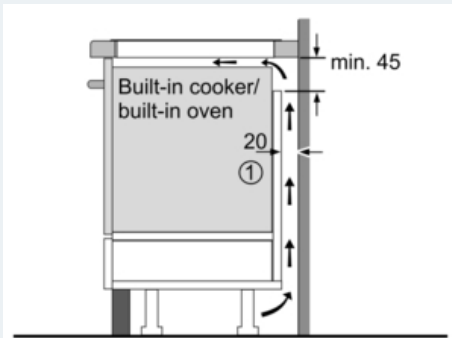
- Cooking zones: 1 x Ø 380 mmx240 mm, 3.3 KW (max. Power levels 3.7 KW) Induction or 2 x Ø 200 mm, 2.2 KW (max. Power levels 3.7 KW) Induction; 1 x Ø 380 mmx240 mm, 3.3 KW (max. Power levels 3.7 KW) Induction or 2 x Ø 200 mm, 2.2 KW (max. Power levels 3.7 KW) Induction

Technical information

- Installation measurements: 560 mmx490 mm
- Connection cable (1.1 M)
- Min. worktop thickness: 30 mm
- Connected load: 7.4 kW
- Cable included in packaging

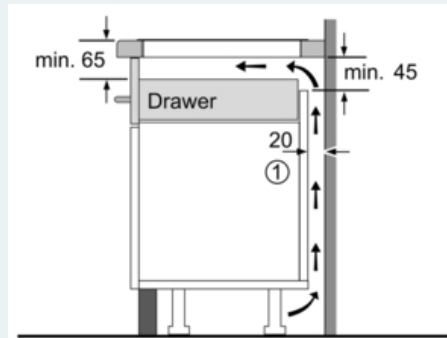
iQ700
EX675LXC1E Induction Hob
Stainless Steel side trim with bevelled
front edge
602 mm

Dimensioned drawings



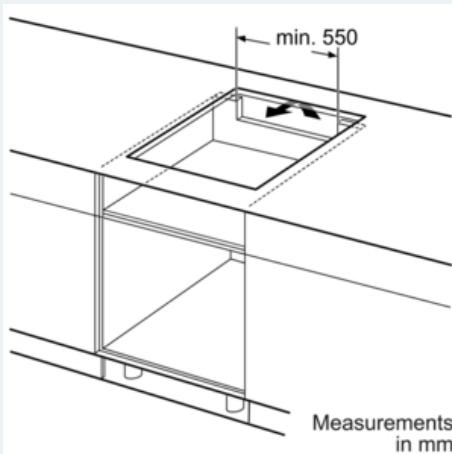
①
 Ventilation gap must
 be present

All measurements in mm

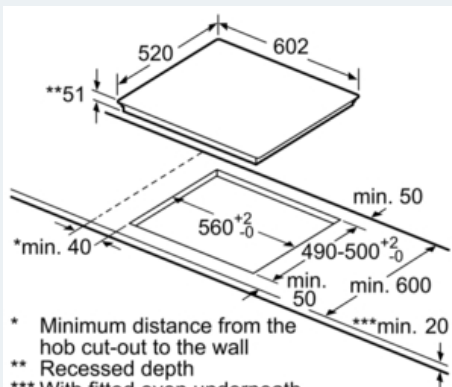


①
 Ventilation gap must
 be present.

Measurements in mm

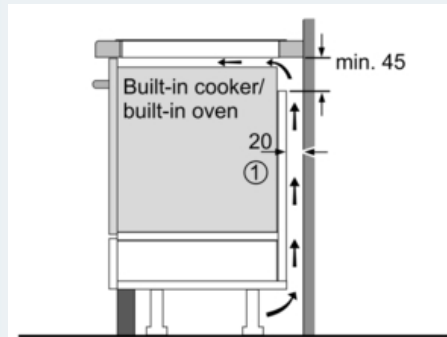


Measurements
 in mm



* Minimum distance from the
 hob cut-out to the wall
 ** Recessed depth
 *** With fitted oven underneath,
 possibly more; see space requirements
 for the oven

measurements in mm



①
 Ventilation gap must
 be present

All measurements in mm