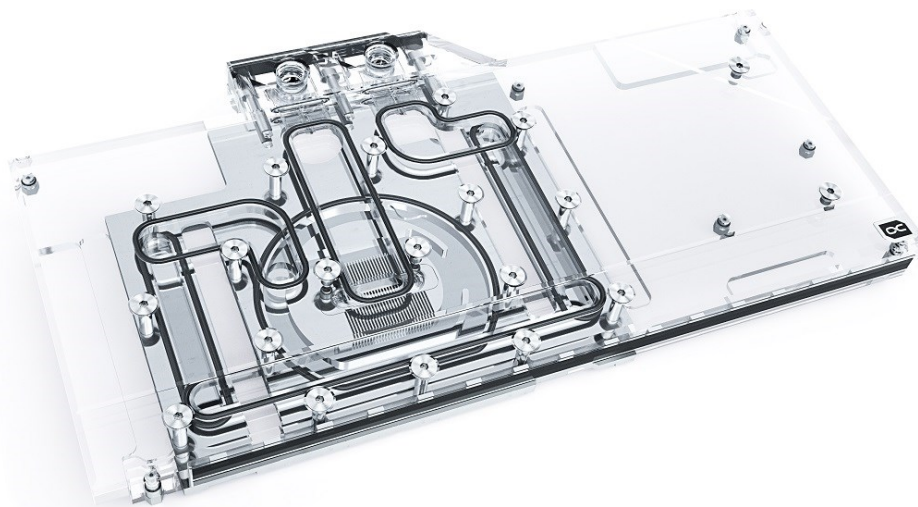


Alphacool article number: 11943

Aquatuning article number: 1020734

The Alphacool Eisblock Aurora Acryl for the RTX 3080 and 3090 offers not only an outstanding cooling performance but also an extensive Digital RGB LED lighting. The fullcover cooler cools not only the GPU but also all important components such as voltage converters and the graphics memory directly with water.

## Eisblock Aurora Acryl GPX-N



- Fullcover water block
- Nickel plated copper cooler
- Adressable Digital RGB LEDs
- NVLink compatible

### Compatibility

Compatibility	<ul style="list-style-type: none"> <li>- EVGA GeForce RTX 3080 FTW3 Ultra Gaming, 10GB GDDR6X, HDMI, 3x DP (10G-P5-3897-KR)</li> <li>- EVGA GeForce RTX 3080 FTW3 Gaming, 10GB GDDR6X, HDMI, 3x DP (10G-P5-3895-KR)</li> <li>- EVGA GeForce RTX 3090 FTW3 Ultra Gaming, 24GB GDDR6X, HDMI, 3x DP (24G-P5-3987-KR)</li> <li>- EVGA GeForce RTX 3090 FTW3 Gaming, 24GB GDDR6X, HDMI, 3x DP (24G-P5-3985-KR)</li> </ul>
---------------	--

We assume no responsibility for any typing errors.

## Scope of delivery

1x 8x74x1mm thermal pad	4x M2x5 screws
1x 8x77x1mm thermal pad	4x M2x5 washers
2x 15x51x1mm thermal pad	11x M2x11 screws
1x 15x38x1mm thermal pad	2x Screw plugs
1x 15x15x1mm thermal pad	1x Plug tool
2x 8x105x1mm thermal pad	1x Thermal grease
1x 8x8x1mm thermal pad	1x Digital - RGB adaptor
1x 8x74x3mm thermal pad	
2x 15x51x3mm thermal pad	
1x 15x38x3mm thermal pad	
1x 15x15x3mm thermal pad	
1x 8x100x3mm thermal pad	
1x 30x30x2mm thermal pad	
2x 15x51x2mm thermal pad	
1x 15x38x2mm thermal pad	
1x 15x15x2mm thermal pad	

## Data cooler

L x W x H	151 x 290 x 24,5 mm
Material cooler	Nickle-plated copper
Material cooler top	POM klar
Threads	4 x G1/4"
Thickness cooling fins	0,6 mm
Illumination	Digital RGB LEDs
Power connector Digital RGB LEDs	3-Pin JST
Power Digital RGB LEDs	5V

## Data backplate

L x W x H	126 x 290 x 6 mm
Material	Aluminium
Color	Black

## Download Links

Product pics	<a href="https://www.alphacool.com/download/1020734_Eisblock_GPX-N_FTWS3_pics.zip">https://www.alphacool.com/download/1020734_Eisblock_GPX-N_FTWS3_pics.zip</a>
Manual	<a href="https://www.alphacool.com/download/1020474_Manual_Alphacool_Eisblock_Aurora_Acryl_GPX-N_RTX_ASUS_TUF_3080-3090_v2.pdf">https://www.alphacool.com/download/1020474_Manual_Alphacool_Eisblock_Aurora_Acryl_GPX-N_RTX_ASUS_TUF_3080-3090_v2.pdf</a>

## Packaging dimensions 1 unit

L x W x H	35,2 x 17,2 x 4,3 cm
Total weight	

## Other data

Certification	CE, FC, RoHS
EAN	4250197119436
Customs number	84195080900

We assume no responsibility for any typing errors.

Alphacool International GmbH, Marienberger Strasse 1, 38122 Braunschweig Tel: (+49)0531 288 740 Supportmail: [info@alphacool.com](mailto:info@alphacool.com)

## Article text

The Alphacool Aurora Acryl GPX-N RTX 3080/3090 Eisblock combines style with performance and extensive digital RGB lighting. With experience of over 16 years, Alphacool has the ability to create GPU blocks that represent high quality and fantastic performance. This perfectly describes the Aurora Acryl GPX Eisblock

### **More Performance!**

During the development of the Eisblock Aurora GPX-N RTX 3080/3090 graphic card GPU block, we wanted to further increase the performance. The first step was to move the cooler closer to the individual components by reducing the thermal pads to a thickness of 1 mm. Next, we reduced the thickness of the nickel-plated copper block. Instead of 7 mm, it is now only 5.5 mm thick. The water flow inside the cooler has also been optimized. All important components such as the voltage transformers and the memory are now significantly better and more effectively cooled by the water. All this ensures a significant increase in cooling performance.

### **New Design!**

The Eisblock Aurora GPX-N RTX 3080/3090 cooler has been designed so that lighting is more important than the previous models. The addressable digital RGB LEDs are embedded directly into the cooling block and run along the entire cooling block. The effect is an illumination of the entire cooling block. No corner or edge remains unlit by the aRGB LEDs. The new design is more angular with all edges bevelled. This promotes better light diffusion in the water cooler due to the reflections on these bevels. In addition, they create various contours, which give the Aurora GPX-N RTX 3080/3090 Eisblock cooler its very own unique identity.

### **Copper or Aluminium?**

Of course, Alphacool only uses copper for its water coolers. With the Aurora GPX-N RTX 3080/3090 Eisblock, the copper is nickel-plated. Compared to its predecessor models, Alphacool has improved the nickel plating even further, which has considerably increased the acid resistance. This means that the nickel should resist flaking. Why does Alphacool rely on copper instead of aluminium? Simply, copper has almost twice the thermal conductivity of aluminium and is therefore clearly the better material for water cooling.

### **Is There Anything Else New?**

The Eisblock Aurora GPX-N RTX 3080/3090 also relies on the new patented stop fittings, which sit flush with the surface of the terminal. The Alphacool logo now sits in the corner on the top and is also fully illuminated. On the front of the terminal you can see the corresponding names of the compatible graphic card types. Of course, these are also fully illuminated by the digital LEDs. IN and OUT are now marked by small triangles. They are easily recognizable and fit perfectly into the entire aesthetics of the graphic card water cooler.

The Alphacool Aurora GPX-N RTX 3080/3090 Acryl is a complete redevelopment of the previous Alphacool graphics card water coolers. No technical compromises were made, but the entire technical know-how flowed into the development and implementation.