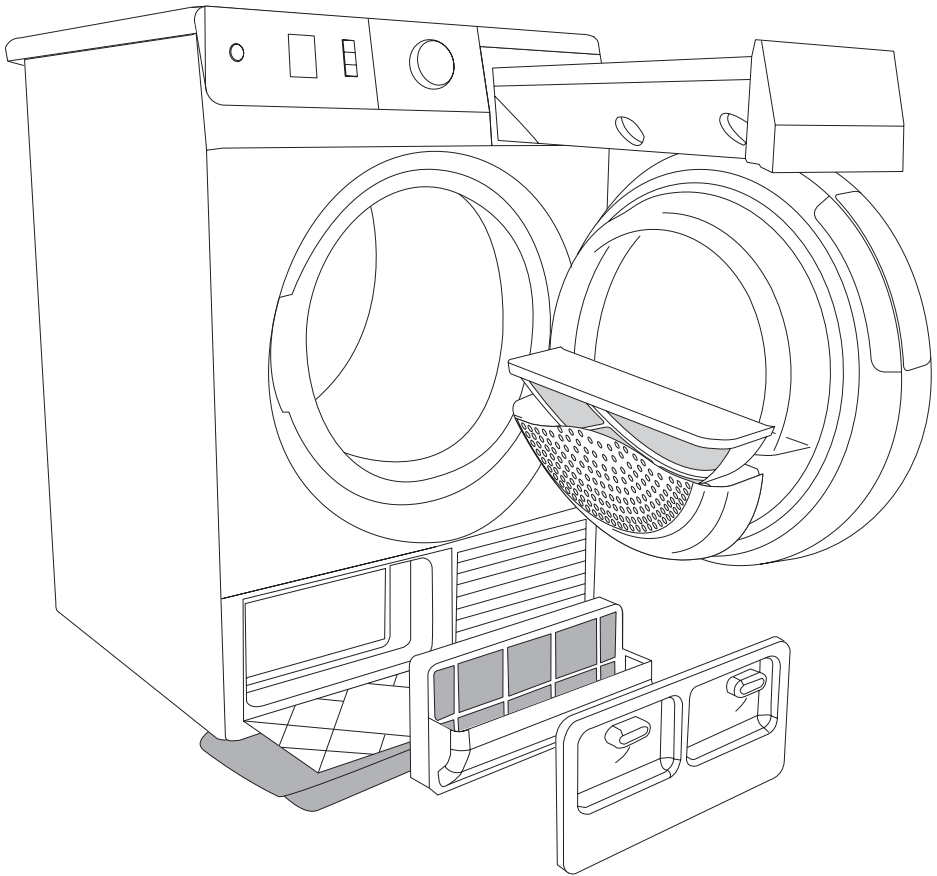


# Panasonic®

## Operating & Installation Instructions

Heat Pump Tumble Dryer  
(Domestic use)

Model No. NH-P8ER1



Thank you for purchasing this product.

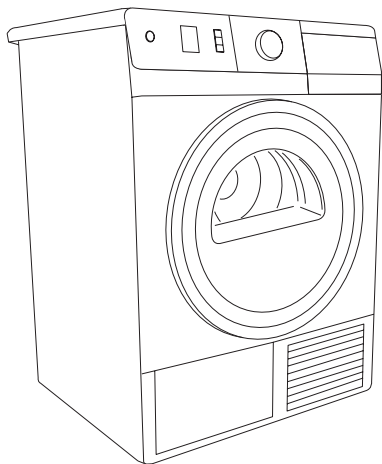
- Read these instructions carefully for optimum performance and safety before use.
- Keep this manual for future reference.

EN

We thank you for the confidence you have shown us by purchasing this dryer. Your new dryer complies with the requirements of modern laundry care; it will dry your laundry quickly, leaving it soft and smooth with special programmes to take care of delicate laundry. Our sensor technology will allow simple operation of the dryer with very low power consumption. This appliance is designed exclusively for household use for clothes which may be dried in a dryer.



It is essential to read these instructions.



# TABLE OF CONTENTS

<b>4 SAFETY PRECAUTIONS</b> ..... <b>10 APPLIANCE</b> 11 Specifications 11 Accessories 12 Control panel description	<b>INTRODUCTION</b>
<b>14 INSTALLATION AND CONNECTION</b> 14 Selecting a location 15 Positioning the appliance 17 Installation 18 Condensate discharge 19 Electrical connections 20 Moving and transport 20 Subsequent transport	<b>GETTING STARTED</b>
<b>21 BEFORE THE FIRST USE</b> <b>22 DRYING (STEPS 1 - 6)</b> 22 1. Check the tags on your laundry 23 2. Preparing the laundry 25 3. Selecting a Programme 27 4. Additional Functions (Extra) 30 5. Starting a Programme 30 6. End of drying cycle ..... <b>31 CLEANING AND MAINTENANCE</b> 32 Cleaning the net filter in the door 33 Cleaning the heat pump filter 34 Emptying the water container 35 Cleaning the dryer	<b>DRYING STEPS</b>  <b>CLEANING AND MAINTENANCE OF THE APPLIANCE</b>
<b>36 INTERRUPTING AND CHANGING THE PROGRAMME</b> 37 What to do...? ..... <b>39 TIPS AND RECOMMENDATIONS FOR DRYING AND ECONOMIC USE OF YOUR DRYER</b> <b>40 CONSIDER THE ENVIRONMENT</b> <b>41 ELECTRICAL CONNECTION</b> (For UK and Republic of Ireland) <b>42 POWER CONSUMPTION</b> <b>43 PRODUCT FICHE</b>	<b>TROUBLE-SHOOTING</b>  <b>OTHER</b>

# SAFETY PRECAUTIONS

Read and follow these safety precautions.

## **WARNING**

**May cause serious injury or death.**

### **For the safety of you and your family**

- This appliance can be used by children aged 8 years and above and persons with reduced physical, sensory or mental capabilities or lack of experience and knowledge if they have been given supervision or instruction concerning use of the appliance in a safe way and understand the hazards involved.
- Children shall not play with the appliance.
- Cleaning and user maintenance shall not be done by children without supervision.
- Children of less than 3 years should be kept away unless continuously supervised.
- Do NOT leave children unsupervised near the appliance.
- Keep pets away from the appliance.

## **WARNING**

- Keep away from fire. Do not put flammable materials or clothes with such things attached in the drum. Keep them away from the appliance. (To prevent explosion or fire)
  - For example: Solvent-based cleaning agents, kerosene, petrol, benzine/thinner, alcohol, etc.
- To prevent injury, do not touch the drum until it completely stops.
- The appliance is not to be used if industrial chemicals have been used for cleaning. They may cause a fire.
- The lint filters have to be cleaned frequently.
- The lint must not be allowed to accumulate around the appliance.
- Do not dry unwashed items in the appliance.
- Items that have been soiled with substances such as cooking oil, acetone, alcohol, petrol, kerosene, spot removers, turpentine, waxes, wax removers and cosmetic oils must not be dried in the appliance even after having been washed. They may cause a fire.



## WARNING

- Make sure that no objects are left in any of the pockets. Pay particular attention to cigarette lighters and matches. They may cause fire.

### **To prevent electric shock, overheating, combustion, or fire**

- Use a socket that satisfies the rating requirement solely for this appliance. Do not use a plug adaptor or extension lead.
- Do not use a mains lead or mains plug that is damaged. If the mains lead is damaged, it must be replaced by the manufacturer, its service agent or similarly qualified persons in order to avoid a hazard.
- Do not plug in or unplug the mains lead with wet hands.
- Always fully insert the mains plug into the mains socket.



## WARNING

- Do not hold or pull on the mains lead when removing the mains plug from the mains socket.
- Unplug the mains lead before cleaning.

### Correct use

- Items such as foam rubber (latex foam), shower caps, waterproof textiles, airtight fabrics, rubber backed articles and clothes or pillows fitted with foam rubber pads should not be dried in the appliance. Such materials may be destroyed and thereby damage the appliance.
- Never stop the appliance before the end of the drying cycle unless all items are quickly removed and spread out so that the heat is dissipated.
- The final part of a tumble dryer cycle occurs without heat (cool down cycle) to ensure that the items are left at a temperature that ensures that the items will not be damaged.



## WARNING

- The appliance must not be installed behind a lockable door, a sliding door or a door with a hinge on the opposite side to that of the appliance, in such a way that a full opening of the appliance door is restricted.  
This will prevent children from being locked in the drum.

### Repairs

- Never disassemble, repair or modify the appliance yourself.  
In case of malfunction or failure, immediately stop use, unplug the mains lead, and ask your local Customer Service Centre for repair.



 **CAUTION**

**May cause injury or property damage.**

**Correct use**

- This appliance is only suitable for textiles which are suitable for tumble drying.
- Do not obstruct the openings of the bottom face with carpet, etc.
- Fabric softeners, or similar products, should be used as specified by the fabric softener instructions.

**To prevent injury and burns**

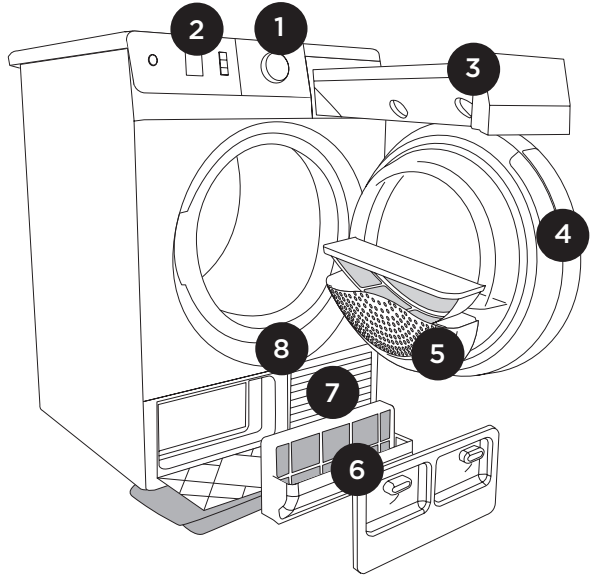
- Keep your fingers away from the door hinge when opening and closing the door.
- Do not climb onto the appliance.
- Do not touch the aluminium fins at the back of the heat pump filter. Touching the sharp edges may cause injury.

# APPLIANCE

## (DRYER DESCRIPTION)

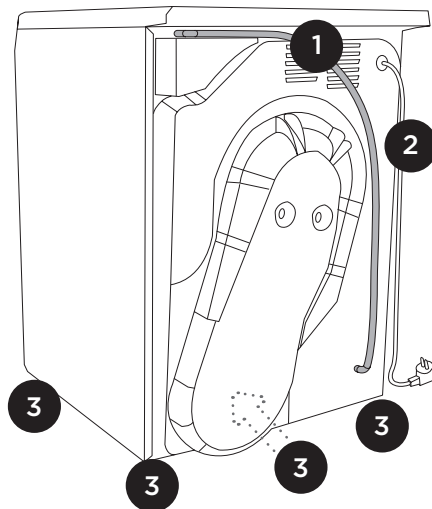
### FRONT

- 1 Programme selector dial
- 2 Control panel
- 3 Water container
- 4 Door
- 5 Net filter
- 6 Heat pump filter
- 7 Air vent
- 8 Rating plate



### BACK

- 1 Condensate discharge tube
- 2 Mains lead
- 3 Adjustable feet (x4)



# SPECIFICATIONS

Model No.	NH-P8ER1
Rated voltage	220 - 240 V
Rated frequency	50 Hz
Maximum energy rated power input	700 - 780 W
Product weight	52 kg
Maximum mass of dry cloth	8 kg
Product dimensions	600 mm (W) x 600 mm (D) x 850 mm (H)

This product contains fluorinated greenhouse gases.

Type of refrigerant: R134a

Quantity of refrigerant: 0.45 kg

Total GWP: 1430

CO<sub>2</sub> equivalent: 0.644 t

Hermetically sealed.

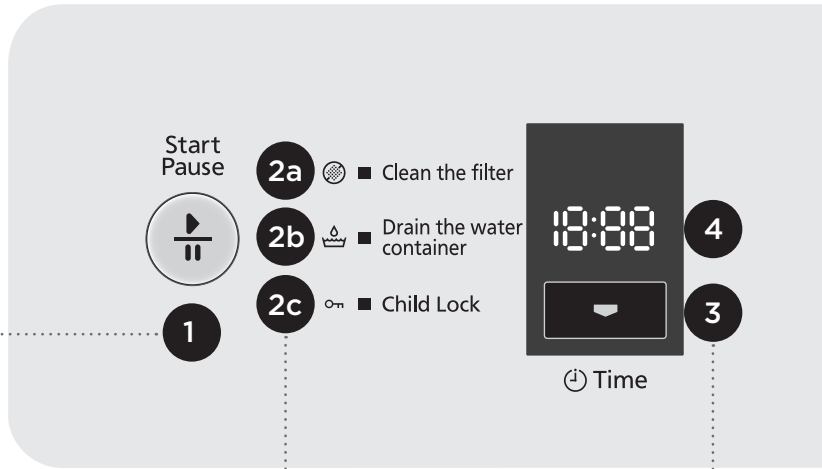
## ACCESSORIES

Make sure that all the accessories are supplied with the appliance.

### Vacuum feet (4)



# CONTROL PANEL DESCRIPTION



## 1 Start/Pause key

Use this key to start or stop the programme. When selected, the light on the key will flash. When the programme has started it will be lit continuously.

## 2 a, b, c: INDICATORS

These light when it is necessary to clean the filter, empty the water container or when the child lock is on.

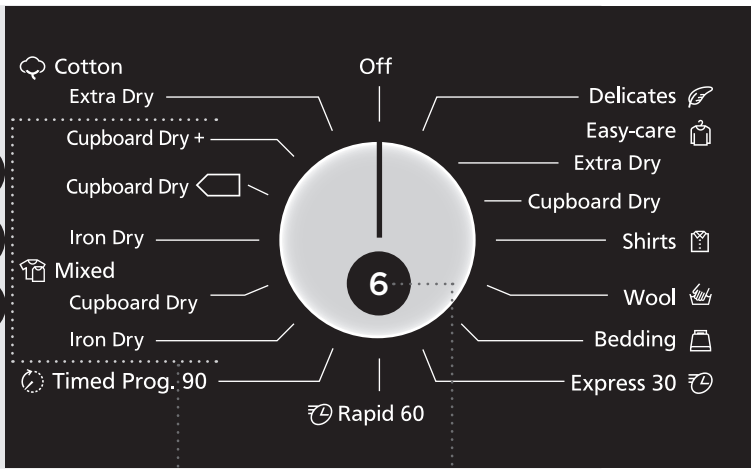
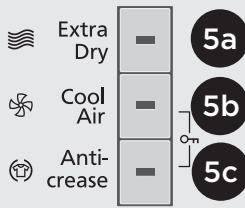
## 3 Time key (Start delay)

Use to select the delay before start of the drying programme.

## 4 DISPLAY

Shows either the delay TIME or remaining time until the end of the drying cycle.

18:00



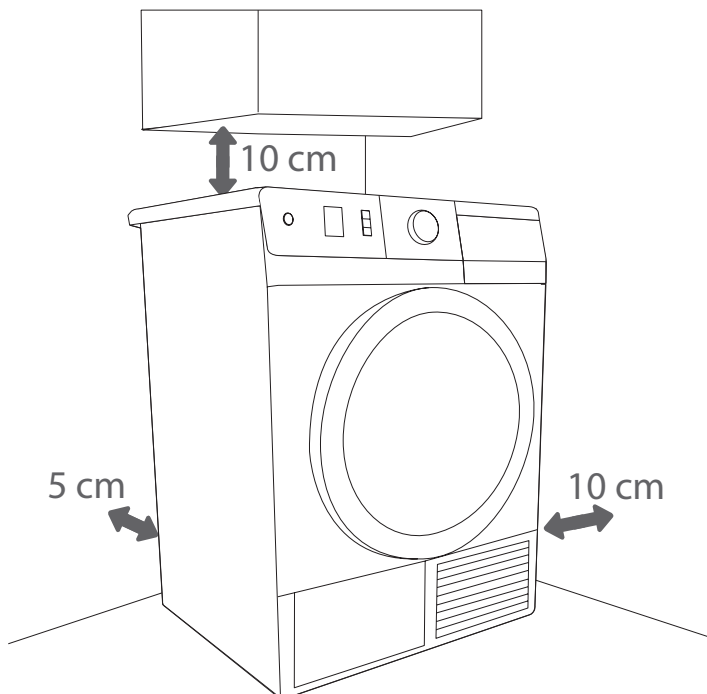
**5** a, b, c: **ADDITIONAL FUNCTION** keys  
 Use to extend or adjust the basic programmes.

**MOST USED PROGRAMMES**

**6** **ON/OFF** and programme **SELECTOR** dial

# INSTALLATION AND CONNECTION

## SELECTING A LOCATION



You need a space at least 60 cm wide, with at least 10 cm of clearance on both sides and above, and 5 cm of clearance behind the appliance. See the diagram above for an example. Failure to heed the minimum clearance requirements may cause the dryer to overheat.

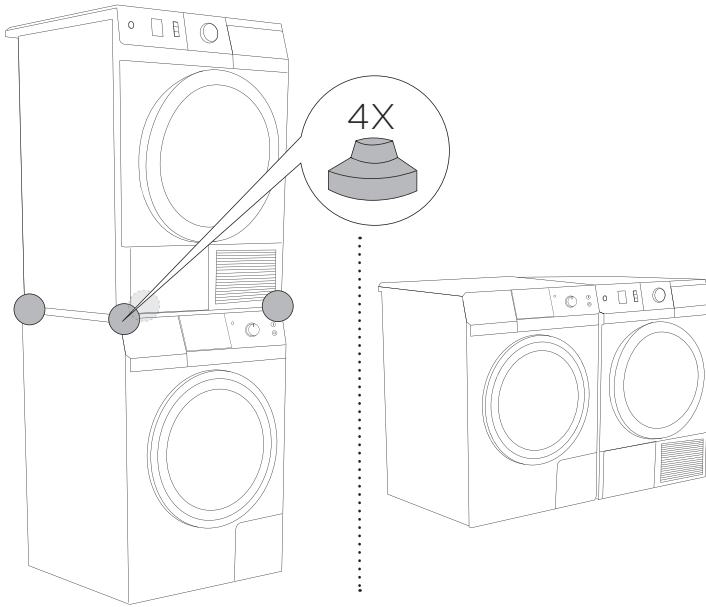
Ventilation slots and the opening on the front and rear should always be kept free.

Do not install the appliance in a room where frost may form.

The room in which the appliance is installed should be adequately ventilated, with temperature between 10 °C and 25 °C. When the dryer is operated at a lower ambient temperature, condensate can accumulate in the appliance interior. Frozen water in the water container or pump may damage the dryer.

The ambient light level where the dryer is installed should be adequate to read the front panel properly.

# POSITIONING THE APPLIANCE



The dryer can either be free standing on the floor or, using the vacuum feet, on a washing machine of the same dimensions.

- minimum width 517 mm, minimum depth 476 mm. The surface on which the dryer is placed should be clean and level.

Use the vacuum feet supplied; they are designed to prevent the dryer from sliding.

The washing machine on which you wish to install the dryer must be able to bear the weight of the dryer (refer to the washing machine's operating instructions for further information).

Children shall not play with the appliance.  
Do not climb onto the appliance.



**Make sure to ask a service person for installation. Do not install by yourself.**

**If the installation, test run and inspection of the tumble dryer are not carried out following this installation method, Panasonic will not be liable for any accident or damage caused.**

**Never block the cool air opening (see dryer description).**

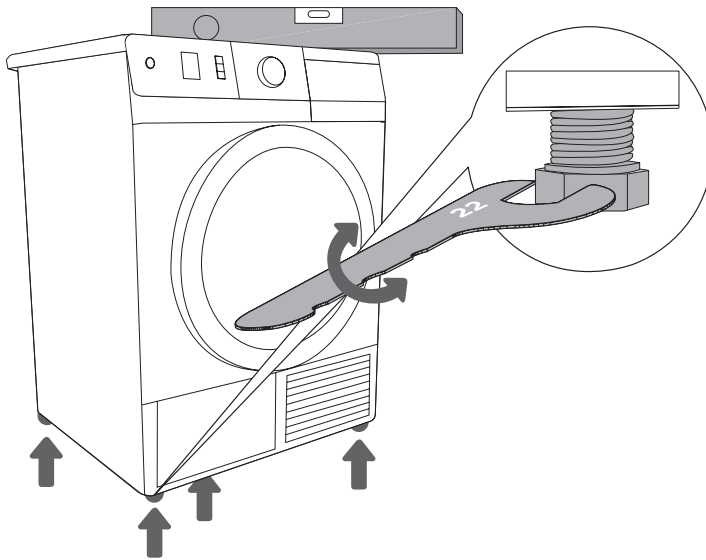
**Do not attempt to lift the dryer on your own. Lifting should only be attempted by at least two persons.**

**Do not place the dryer on a carpet with a deep pile as this may impede air circulation.**

**Do not install the appliance with it in contact with a wall or adjacent furniture, etc.**



# INSTALLATION



.....  
Level the dryer front-back, and left-right, by rotating the adjustable feet which have a range of +/- 1 cm. Use a 22 mm spanner and a spirit level.



The appliance must stand level and stable on a solid, clean dry level floor to prevent the unit sliding. Also ensure that the adjustable feet are clean.

Vibrations, the appliance moving across the room, or loud operation due to improperly adjusted feet are not covered by the warranty.

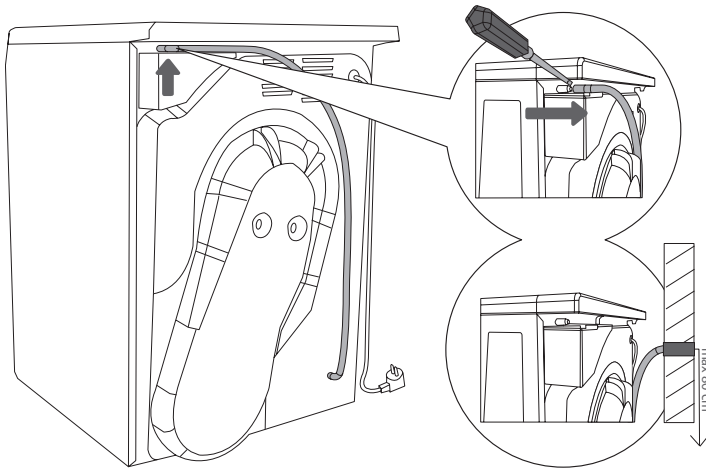
Sometimes, unusual or loud noises may appear during operation; these are mostly the result of poor or improper installation.

# CONDENSATE DISCHARGE

The moisture from the laundry is extracted in the condenser unit and accumulated in the water container.

During the drying process, an indicator light will warn you when the water container is full and which has to be emptied.

Interruption of the drying cycle due to the water container being full can be avoided by running the condensate discharge tube, found at the back of the appliance, directly into a drain.



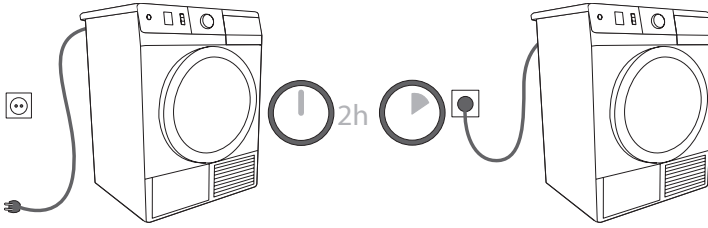
.....  
**1** To remove the tube from the holder on the rear of the appliance (on the left hand side under the cover), use a flat-blade screwdriver, and carefully pull the tube.  
.....

**2** Connect the tube to a drain, located at a maximum height of 80 cm from the ground.



**If the condensate discharge tube is connected to a drain, ensure the tube is firmly secured to prevent any water spillage which could result in unexpected damage.**

# ELECTRICAL CONNECTIONS



**The dryer should be left to stand still for at least two hours before it is connected to the power mains to allow the system to stabilise.**

Plug the dryer's mains plug directly into a mains socket. Do not use an extension lead due to the possible danger of overheating and fire. The nominal voltage and other information are given on the rating plate located under the door frame.

To prevent from damage by excess voltage on the mains due to lightning strike we recommend use of a class I over-voltage protector between the machine and the mains.



**After installation, the mains socket should be freely accessible. The mains socket should be fitted with an earth contact (in compliance with the relevant regulations).**

# MOVING AND TRANSPORT

If the dryer cannot be transported in the upright position, tilt it to the left side.



**If the appliance was not transported in compliance with the instructions, the dryer should be left to stand still at least two hours before it is reconnected to the power mains. Failure to do so may result in a heat pump failure which shall not be covered by the warranty.**

**Be careful not to damage the cooling system.**

# SUBSEQUENT TRANSPORT

After each drying cycle, a small amount of condensed water will remain in the pump section. Switch on the appliance and choose one of the programmes, then let the appliance operate for approximately half a minute. This will pump out the remaining water and prevent damage to the dryer during transport.

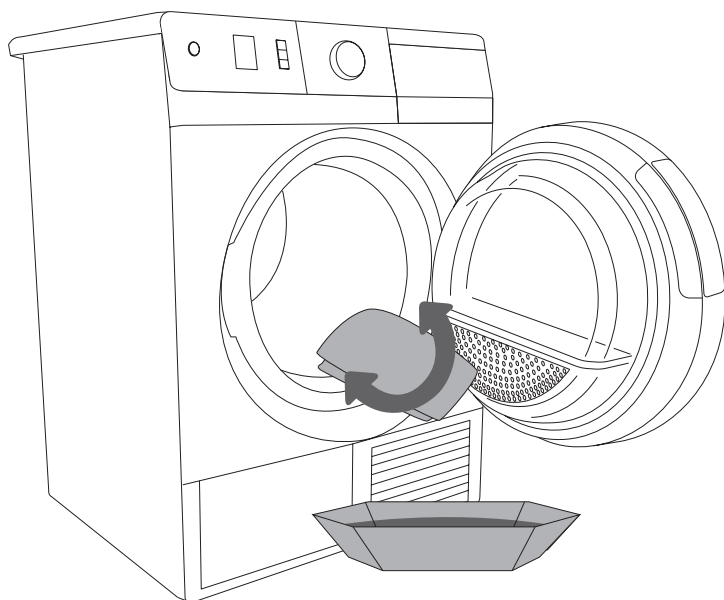
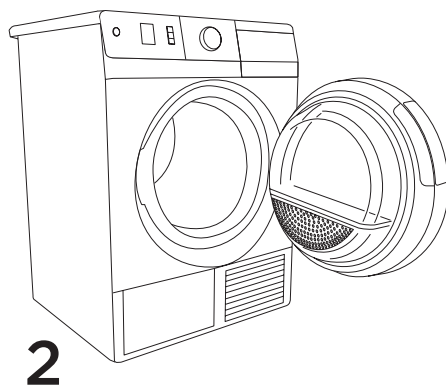
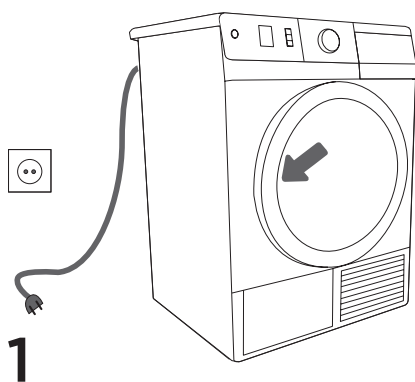


**After transport, the dryer should be left to stand still for at least two hours before it is connected to the power mains to allow the system to stabilise. We recommend that installation and connection should be done by a qualified person.**

**The belt should only be replaced by a service engineer, using an original spare part.**

# BEFORE THE FIRST USE











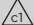















Open the door on the left side.



Clean the dryer drum before using the dryer for the first time. Use a damp cloth and a mild cleaning agent.

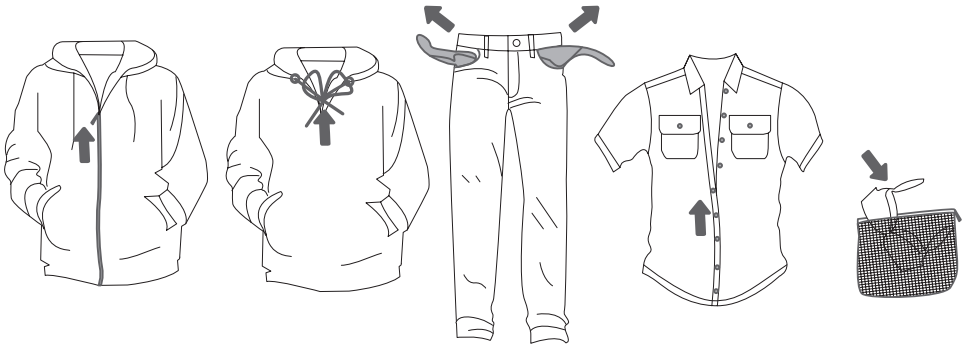
# DRYING (STEPS 1 - 6)

## 1. CHECK THE TAGS ON YOUR LAUNDRY

<b>Normal wash</b> <b>Delicate wash</b>	Max. washing 95 °C  	Max. washing 60 °C  	Max. washing 40 °C  	Max. washing 30 °C  	Manual washing 	Washing not allowed 
<b>Whitening</b>	Whitening in cold water 			Whitening not allowed 		
<b>Dry cleaning</b>	Dry cleaning in all solvents 	Perchlorethylene R11, R113, Petroleum 	Dry cleaning in kerosene, in pure alcohol and in R113 	Dry cleaning not allowed 		
<b>Ironing</b>	Hot iron max. 200 °C 	Hot iron max. 150 °C 	Hot iron max. 110 °C 	Ironing not allowed 		
<b>Drying</b>	Place on flat surface 	Hang wet  Hang 	High temp.  Low temp. 	Tumble drying not allowed 		

## 2. PREPARING THE LAUNDRY

1. Sort the laundry by type and thickness of the fabric (see Programme Table).
2. Close the buttons and zips, tie any ribbons, and turn the pockets inside out.
3. Place very sensitive clothes in a special-purpose laundry washing bag.



The following types of laundry may not be dried in the dryer as this may cause your garments to deform:

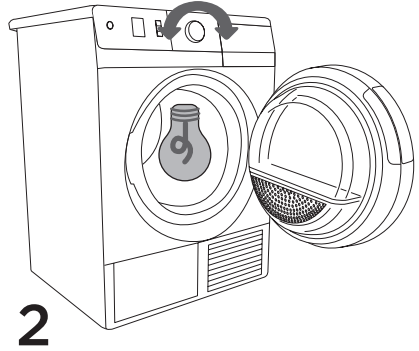
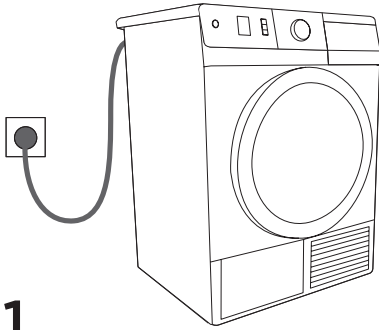
- leather garments and other leather products;
- garments that are waxed or treated in any other way;
- garments with major wooden, plastic, or metal parts;
- garments with spangles;
- garments with metal parts subject to rusting.

# SWITCHING ON THE DRYER

Connect the appliance to the power mains by plugging in the mains lead.

To light up the drum, rotate the programme selector dial to any position.

(The drum light is not suitable for other purpose.)

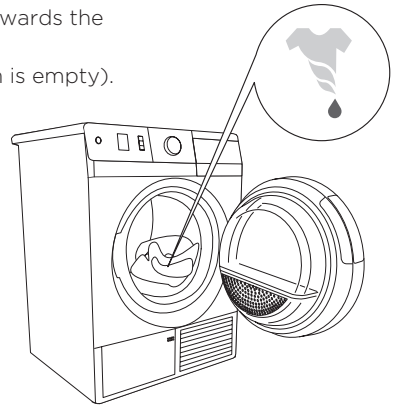


---

# LOADING THE DRYER

Open the dryer door by pressing it on the left side towards the dryer.

Insert the laundry into the drum (make sure the drum is empty).



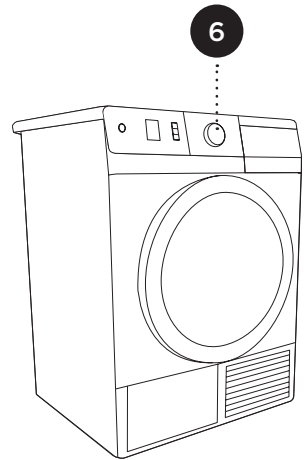
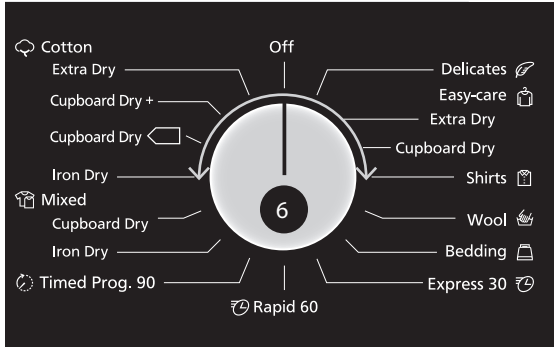
**Do not insert laundry into the dryer if it has not been wrung or spun (recommended minimum spinning cycle: 800 rpm).**

**Close the dryer door.**






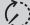







### 3. SELECTING A PROGRAMME


To select a **programme**, rotate the programme selector dial (6) to the left or to the right (according to the type of desired level of dryness of the laundry).

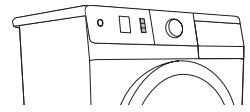


During operation, the dial will not rotate automatically.

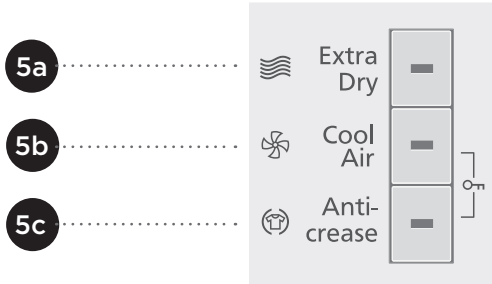
# PROGRAMME TABLE

Programme Dryness levels	Max. load	Laundry	Extra functions
 <b>Cotton</b> Extra Dry Cupboard Dry+ Cupboard Dry  <sup>1)</sup> Iron Dry	8 kg	Non-delicate cotton laundry (towels, terry towels, stockinette, T-shirts, trousers, kitchen cloths etc.)	<ul style="list-style-type: none"> <li>• Start delay</li> <li>• Extra Dry</li> <li>• Anti-crease</li> </ul>
 <b>Mixed</b> Cupboard Dry Iron Dry	3.5 kg	Clothing made of a mixture of fibres (trousers, T-shirts, suits etc.)	<ul style="list-style-type: none"> <li>• Start delay</li> <li>• Extra Dry</li> <li>• Anti-crease</li> </ul>
<b>Timed programme</b>  Timed Prog. 90  Rapid 60  Express 30	4 kg	Laundry that needs to be thoroughly dried, or a small amount of laundry, or individual garments.	<ul style="list-style-type: none"> <li>• Start delay</li> <li>• Anti-crease</li> <li>• Cool Air</li> </ul>
 <b>Bedding</b>	5 kg	Larger pieces of laundry (bedding, large tablecloths, large towels etc.)	<ul style="list-style-type: none"> <li>• Start delay</li> <li>• Extra Dry</li> <li>• Anti-crease</li> </ul>
 <b>Wool</b>	2 kg	Wool garments and garments with mixed fibres containing wool (sweaters, scarves, shawls etc.)	
 <b>Shirts</b>	2 kg	Shirts and blouses	<ul style="list-style-type: none"> <li>• Start delay</li> <li>• Extra Dry</li> <li>• Anti-crease</li> </ul>
 <b>Easy-care</b> Extra Dry Cupboard Dry	3.5 kg	Garments made of or containing with synthetic fibres (T-shirts, trousers, suits, socks and stockings, gowns etc.)	<ul style="list-style-type: none"> <li>• Start delay</li> <li>• Extra Dry</li> <li>• Anti-crease</li> </ul>
 <b>Delicates</b>	2 kg	Laundry that requires drying at lower temperatures (blouses, delicate underwear, shirts with additional décor etc.) - Use of special-purpose laundry washing bag is recommended.	<ul style="list-style-type: none"> <li>• Start delay</li> <li>• Extra Dry</li> <li>• Anti-crease</li> <li>• Cool Air</li> </ul>

1) The standard cotton programme called "Cotton - Cupboard Dry" can be identified by the symbol . And this is the most efficient programme in terms of energy consumption.



## 4. ADDITIONAL FUNCTIONS (EXTRA)



Activate/deactivate the function by pressing the relevant key (before pressing the Start/Pause key).



5a

### Extra Dry

Each time the key is pressed (three levels), the final level of laundry dryness and drying time will change.



5b

### Cool Air

for refreshing clean clothes with cool air.



5c

### Anti-crease

To prevent creasing if the laundry is not taken from the dryer immediately after the end of the drying cycle.

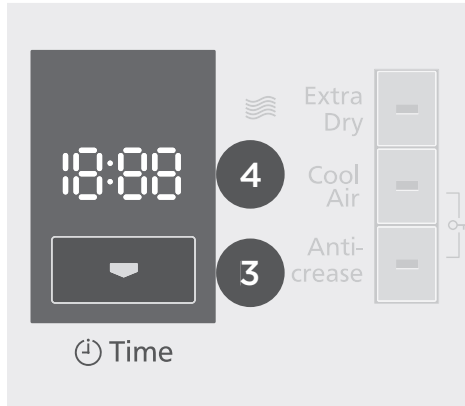
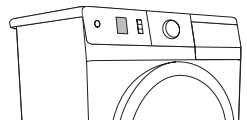
Default setting is two hours. Duration can be set from zero to a maximum of four hours. The most recent setting is stored. The function is deactivated when the dryer door is opened.



### Child Lock

To activate the child lock, simultaneously pressing and hold the (5b) and (5c) keys for at least three seconds. The indicator will light to confirm the selection.

Follow the same procedure to deactivate the child lock. As long as the child lock is activated, programme or additional functions cannot be changed. The appliance can only be switched off by rotating the programme selector dial to the "Off" position. Child lock will remain activated even after the appliance is switched off. In order to select a new programme, it has to be switched off.



## Start delay

Use this function to start the drying cycle after a certain amount of time has elapsed.

Delay time can be set to up to five hours in 30-minute steps and up to 24 hours in 1-hour steps. (4)

The function is activated when the Start/Pause key is pressed.

The time is counted down in minutes. When the countdown reaches zero, the selected drying programme will start automatically.

To interrupt or change the programme delay time, press the Start/Pause key. Press the (3) key to select a new delay time. To confirm the new setting, press the Start/Pause key.

To quickly cancel the delayed start setting, press the (3) key and hold it for 3 seconds.

In case of a power supply failure before the delay time has elapsed, press the Start/Pause key to resume the countdown.



**Some functions cannot be selected with some programmes; an acoustic signal and a flashing light will remind you of such cases (see Programme Table).**

## BEEP SOUND VOLUME

Select the beep sound volume by simultaneously pressing a key (5a) and rotating the programme selector dial clockwise to the initial position.

Each time the key (5a) is pressed, the volume level is changed (there are three levels), and the level is indicated on the display unit. The most recent setting is stored.

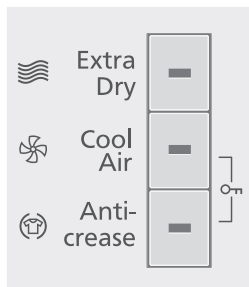


**After disconnecting the appliance from the power mains, all settings will be reset to their default factory values, except for the beep sound volume, Anti-crease, and child lock setting.**

## STANDBY MODE

If no programme is selected and started and no other action is taken within five minutes after turning on the machine, the display will automatically turn off to save energy. The light on the Start/Pause key will flash. Signal lamps of additional functions flash intermittently. The display will turn on again when you rotate the programme selector dial or press any button. If no action is taken after the end of the programme, the display will be turned off after five minutes.

The light on the Start/Pause key will flash. Signal lamps of additional functions flash intermittently.



$P_o$ = weighted power in 'off mode' [W]	0.09
$P_l$ = weighted power in the 'left on mode' [W]	0.53
$T_l$ = time in 'left on mode' [min]	10.0



**As a result of low mains voltage or different laundry loads, drying time can change. This is regularly updated on the display.**

## 5. STARTING A PROGRAMME

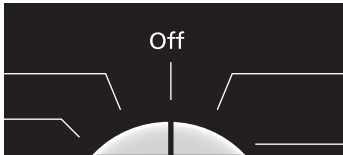
Press the Start/Pause key.

The Start delay time (if selected), or the time remaining until the end of the programme will be shown on the display unit. Indicators next to the selected functions will be lit.



## 6. END OF DRYING CYCLE

A beep sound will indicate the end of the drying cycle. The indicators will light up and the light on the Start/Pause key will flash. Signal lamps of additional functions flash intermittently.



1. Open the dryer door.
2. Clean the filters (see section Cleaning ...).
3. Remove the laundry from the drum.
4. Close the door!
5. Switch off the appliance (rotate the programme selector dial to the "Off" position).
6. Empty the water container.
7. Unplug the mains lead from the mains socket.

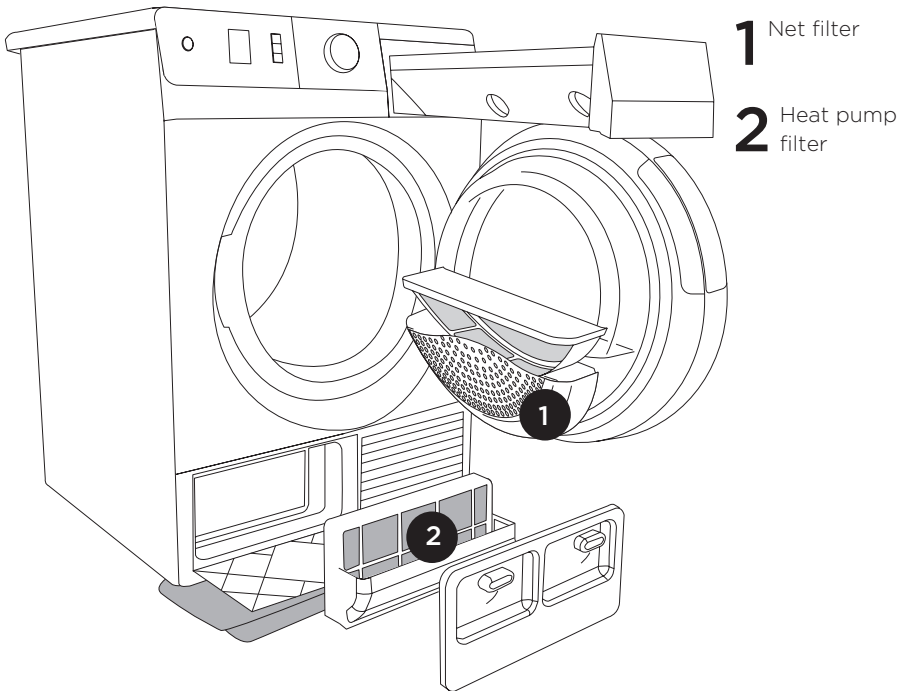


**After the end of the drying programme, immediately remove the laundry from the dryer to prevent it from creasing again.**

**Drying time indicated is based on tests according to the EN 61121 standard and it may change in steps during the drying process, depending on the load and initial moisture of the laundry.**

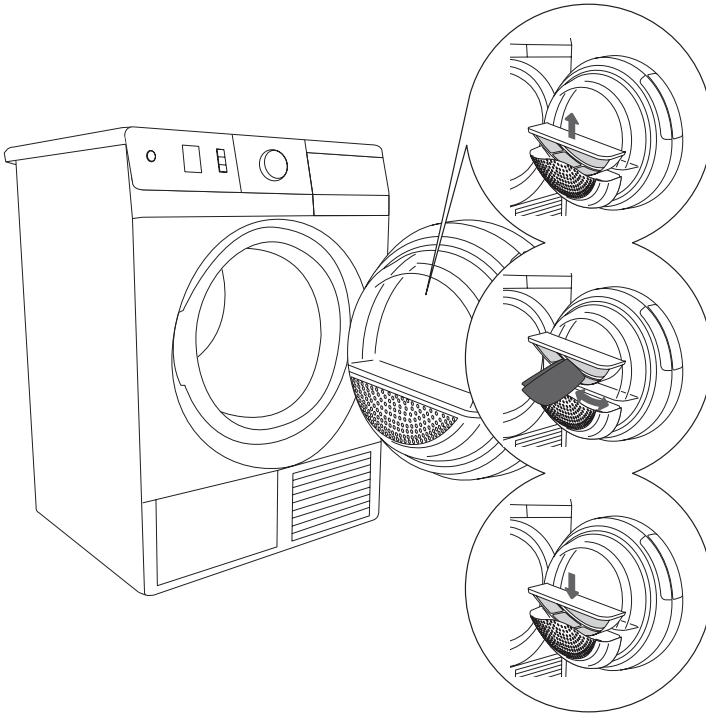
# CLEANING AND MAINTENANCE

The dryer is fitted with a **filtering system** composed of several filters that prevent any impurities from entering the heat exchanger system.



The dryer should never be operated without the filters in place, or with damaged filters as excessive amount of accumulated fibres from the fabric could cause malfunction or failure of the dryer.

# CLEANING THE NET FILTER IN THE DOOR



.....  
**1** Open the filter cover, and remove the net filter.

.....  
**2** Remove the accumulated dust and lint by gently rubbing the net filter.

.....  
**3** Replace the net filter, and close the filter cover.



Always carefully close the filter cover in the door, taking care not to crush your fingers.

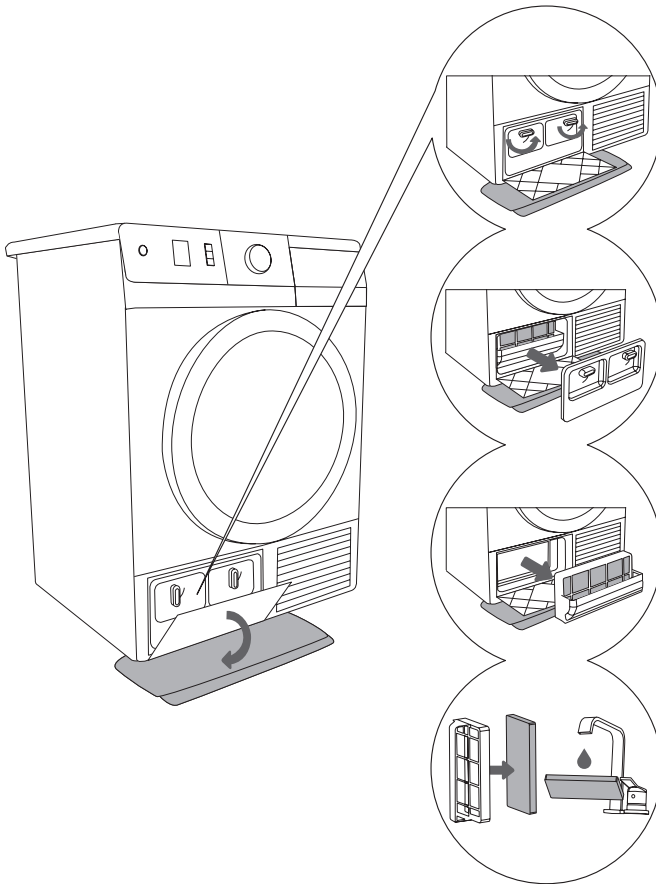
If necessary, clean the filter housing and door gasket as well.

Clean the net filter after each drying cycle.



# CLEANING THE HEAT PUMP FILTER

Place an absorbent cloth on the floor in front of the dryer (possible water spill).



.....  
**1** Open the outer cover (hold the handle on the left side and pull downwards).  
.....

.....  
**2** Use the handle to remove the heat pump foam filter.  
.....

.....  
**3** Remove the heat pump foam filter from its handle. Use a damp cloth to clean the heat pump housing. Be careful not to damage the cooling system.  
.....

.....  
**4** Wash the filter under running water. Dry the filter before replacing it.  
.....



**When re-inserting the heat pump foam filter ensure the filter is inserted correctly into the support bed; otherwise, heat exchanger may be clogged.**

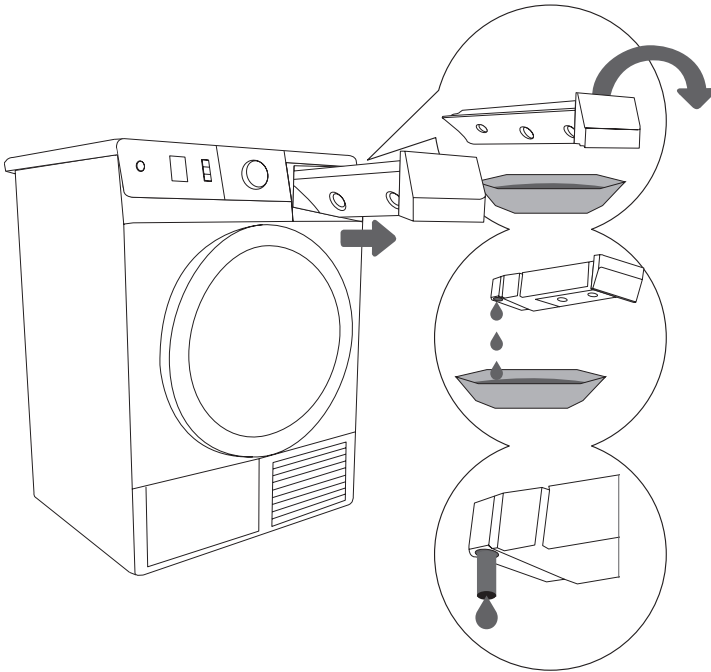
**Clean the foam filter at least after every five drying cycles.**

**Do not touch the aluminium fins at the back of the heat pump filter. Touching the sharp edges may cause injury.**

**Close the exterior cover (push it upwards towards the appliance until it snaps back into place).**

# EMPTYING THE WATER CONTAINER

Empty the water container after each drying cycle.



.....  
**1** Remove the water container.

.....  
**2** Turn the water container over and pour out the water. When empty, replace the container.

.....  
**3** Pull out the spout for easier emptying.



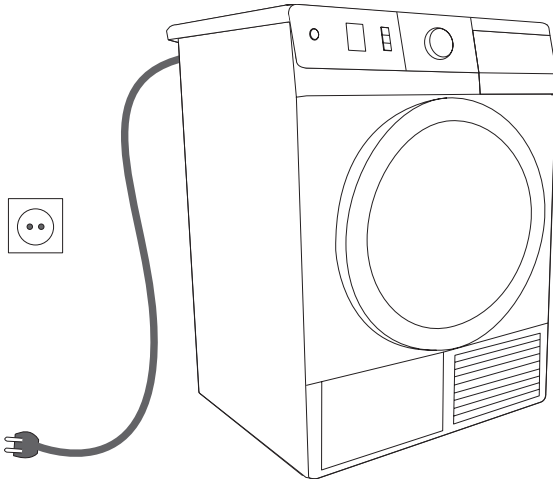
**Water from the water container is not potable. If thoroughly filtered, it can be used for ironing.**

**Never add any chemical means or scents or perfumes to the water container.**

**Make sure you disconnect the appliance from the power mains before cleaning. Set the programme selector dial to "Off" position and unplug the mains lead from the mains socket.**

# CLEANING THE DRYER

Wipe the dryer exterior using a damp cloth and mild detergent. Do not use detergents or cleaners that could damage the dryer (heed the recommendations and warnings given by the cleaner/detergent manufacturers). Use a soft cloth to wipe dry all parts of the dryer.



**Always disconnect the dryer from the mains power before cleaning.**

# INTERRUPTING AND CHANGING THE PROGRAMME

## INTERRUPTIONS

### Interrupting the programme process

Press the Start/Pause key to pause/ resume the programme.

#### Open door

If the dryer door is opened during the drying process, the drying cycle will be interrupted.

When the door is closed and the Start/Pause key is pressed, the drying will resume from the point at which it was interrupted.

#### Full water container

When the water container is full, the drying programme will be interrupted (indicator 2b will flash).

Empty the water container (see section Cleaning and Maintenance).

Press the Start/Pause key to resume the drying cycle from the point at which it was interrupted.

#### Power supply failure

When power supply is restored, the light on the Start/Pause key will flash.

To resume the drying process, press the Start/Pause key.

## CHANGING THE PROGRAMME/FUNCTIONS

Press the Start/Pause key and rotate the programme selector dial to the "Off" position.

Select another programme/function and press the Start/Pause key again.

## SAVING PERSONAL SETTINGS

Initial settings may be changed. When the programme and additional functions are selected, you may store such combination by pressing the Start/Pause key and holding it for five seconds.

A signal light on the Start/Pause key and an acoustic signal will confirm your selection.

**SC** (settings changed) will be displayed briefly on the display.

Press the Start/Pause key to start the drying process.

The changed combination will appear every time you switch on the dryer.

Follow the same procedure to change a previously saved combination.

## WHAT TO DO...?

Disturbances from the environment (e.g. the power grid) may result in various error reports. (see Table on the next page) In such case:

- switch off the appliance and wait at least one minute;
- switch on the appliance and restart the drying programme.
- If the error persists, call an authorised service centre.
- You will be able to solve most of the **problems** in dryer operation by yourself.
- **Repairs** may only be carried out by authorised service personnel.
- Repair or any warranty claim resulting from incorrect connection or use of the dryer shall not be covered by the warranty. In such cases, the costs of repair shall be charged to the user.



**The warranty does not cover the errors or failures resulting from disturbances from the environment (lightning strike, power grid failures, natural disasters etc.).**

Problem/error	Cause	What to do ...?
The dryer does not work.	<ul style="list-style-type: none"> <li>No voltage from the mains socket.</li> </ul>	<ul style="list-style-type: none"> <li>Check if the mains plug is correctly inserted into the mains socket.</li> <li>Check the fuse.</li> </ul>
There is voltage at the mains socket, but the drum does not spin and the dryer does not work.	<ul style="list-style-type: none"> <li>Programme was not started in accordance with the instructions.</li> <li>The door is not properly closed.</li> <li>Water container is full.</li> <li>Delayed start function has been selected.</li> </ul>	<ul style="list-style-type: none"> <li>Reread the instructions for use again.</li> <li>Push the door towards the appliance.</li> <li>Empty the water container (see section Cleaning and Maintenance).</li> <li>Wait until the time indicated on the display elapses.</li> </ul>
Laundry is not dried, or drying time is longer than 4h.	<ul style="list-style-type: none"> <li>Filters are not clean. The room is not sufficiently ventilated.</li> <li>Inappropriate temperature in the room.</li> <li>Laundry was not sufficiently wrung or spun.</li> <li>Amount of laundry dried in the appliance is too large or insufficient.</li> </ul>	<ul style="list-style-type: none"> <li>Clean the filters.</li> <li>Install the dryer in an appropriate room (see section Installation ...)</li> <li>Check if the temperature in the room where the dryer is installed is too high (over 25 °C) or too low (below 10 °C).</li> <li>Laundry inserted into the dryer was not sufficiently wrung or spun, or an inappropriate drying programme was selected.</li> <li>Use an appropriate programme or use the timed programme. Increase the final level of dryness for the selected programme (intensive drying function).</li> </ul>
Unevenly dried laundry.	<ul style="list-style-type: none"> <li>The amount of laundry dried at a time is too large.</li> <li>Drying the pieces of different thicknesses.</li> <li>Drying the different types of laundry.</li> </ul>	<ul style="list-style-type: none"> <li>Make sure the laundry is sorted by type and size of items given the selected programme (see section Drying - Preparing the Laundry and the Programme Table).</li> </ul>
Error in the drum lighting.	<ul style="list-style-type: none"> <li>The light does not turn on when the dryer door is opened.</li> </ul>	<ul style="list-style-type: none"> <li>Disconnect the dryer from mains power and call an authorised service centre.</li> </ul>
On display: F3	<ul style="list-style-type: none"> <li>Full water container.</li> <li>If the water container is empty, there is a pump failure.</li> </ul>	<ul style="list-style-type: none"> <li>Empty the water container (see section Cleaning and Maintenance).</li> <li>Disconnect the appliance and call an authorised service centre.</li> </ul>
On display: F4	<ul style="list-style-type: none"> <li>Clogged filters.</li> <li>If the filters are clean, there may be a compressor failure.</li> </ul>	<ul style="list-style-type: none"> <li>Clean the filters.</li> <li>Disconnect the appliance and call an authorised service centre.</li> </ul>

Write down the failure/error code: **F0, F1, or F2**, disconnect the appliance and call the nearest authorised service centre.

.....

# TIPS AND RECOMMENDATIONS FOR DRYING AND ECONOMIC USE OF YOUR DRYER

The most economical way of drying is to dry the recommended amount of laundry in each batch (see Programme Table).

Drying laundry made of particularly delicate fabrics that may be deformed is not recommended.

Use of conditioner in the washing cycle is not necessary as the laundry is soft and smooth after drying in the dryer. Drying time will be shorter and power consumption will be lower if the garments are thoroughly wrung or spun before drying. By selecting the appropriate drying programme, you will avoid over drying your laundry and problems with ironing or shrinkage of fabric.

Regular cleaning of the filters will lead to optimum drying time and minimum power consumption.

When drying smaller amounts of laundry or individual garments, the sensor may not perceive the actual level of moisture in the laundry. In such cases, it is recommended to dry smaller items or amounts with programmes for dryer laundry or with the timed programme.

# CONSIDER THE ENVIRONMENT

## Disposing of packaging

The packaging used to protect the washing machine from damage during transportation is all recyclable. For information on recycling, contact your local authority.

## Disposal of Old Equipment Only for European Union and countries with recycling systems



This symbol on the products, packaging, and/or accompanying documents means that used electrical and electronic products must not be mixed with general household waste.

For proper treatment, recovery and recycling of old products, please take them to applicable collection points in accordance with your national legislation.

By disposing of them correctly, you will help to save valuable resources and prevent any potential negative effects on human health and the environment. For more information about collection and recycling, please contact your local municipality.



Penalties may be applicable for incorrect disposal of this waste, in accordance with national legislation.



# ELECTRICAL CONNECTION (For UK and Republic of Ireland)

**For your safety, please read the following text carefully.**

This appliance is supplied with a moulded 3-pin mains plug for your safety and convenience.

A 13-ampere fuse is fitted in this plug. Should the fuse need to be replaced, ensure that the replacement fuse has a rating of 13 amperes and that it is approved by ASTA or BSI to BS1362. Check for the ASTA mark  or the BSI mark  on the body of the fuse.

If the plug contains a removable fuse cover, ensure that it is refitted when the fuse is replaced.

If you lose the fuse cover, do not use until a replacement fuse cover is purchased from your local dealer.

## WARNING

**If the fitted moulded plug is unsuitable for the mains socket in your home then the fuse should be removed and the plug cut off and disposed of safely. There is a danger of severe electrical shock if the cut off plug is inserted into any 13-ampere socket.**

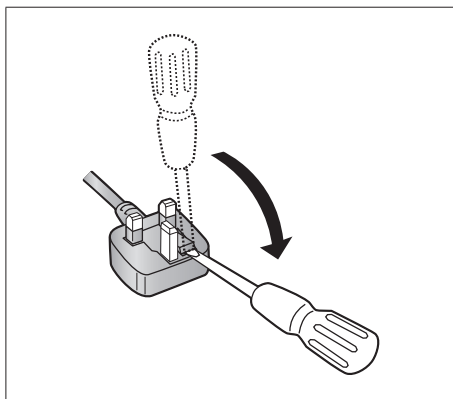
## How to replace the fuse

The location of the fuse differs depending on the type of AC mains plug (Figures A and B).

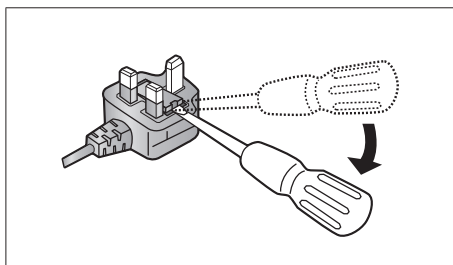
Confirm the AC mains plug is fitted and follow the instructions below. Illustrations may differ from the actual AC mains plug.

Open the fuse cover with a screwdriver and replace the fuse and close or attach the fuse cover.


- Figure A

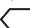


- Figure B



# POWER CONSUMPTION

Programme		Load	Power consumption	Time
Cotton	Cupboard Dry 	8 kg	1.40 kWh	160
		4 kg	0.86 kWh	96

- 1) The results shown here comply with EN 61121. Each result indicates the value required until the end of each programme with the Anti-crease process ON set.  
Power consumption and time during Anti-crease process are not included.
- 2) The power consumption, and times indicated in the table, may vary depending on variations in room temperatures, types and amounts of laundry, voltage fluctuations, and which optional functions are used.
- 3) The Cotton - Cupboard Dry is suitable to dry normal wet cotton laundry and this is the most efficient programme in terms of energy consumption in accordance with EU regulation 932/2012. This programme is the standard cotton programme and can be identified by the symbol .

*We reserve the right to any changes and errors in the instructions for use.*

# PRODUCT FICHE

(EU) No.392/2012

Supplier's name			Panasonic
Supplier's model identifier			NH-P8ER1
Rated capacity in kg of cotton laundry for the standard cotton programme	At full load	kg	8
Type of tumble dryer (1 = Air-vented / 2 = Condenser / 3 = Gas-fired)			2
Energy efficiency class			A+++
Weighted annual energy consumption*		kWh / year	176.8
* Energy consumption "X" kWh per year, based on 160 drying cycles of the standard cotton programme at full and partial load, and the consumption of the low-power modes. Actual energy consumption per cycle will depend on how the appliance is used.			
Automatic tumble dryer (Yes/No)			Yes
Energy consumption of the standard cotton programme	At full load	kWh	1.40
	At partial load	kWh	0.86
Power consumption for the standard cotton programme at full load	Off-mode	W	0.09
	Left-on mode	W	0.53
Duration of the "left-on mode"		min	10
The "standard cotton programme" used at full and partial load is the standard drying programme to which the information in the label and the fiche relates. This programme is suitable for drying normal wet cotton laundry and it is the most efficient programme in terms of energy consumption for cotton.			
Weighted programme time of the standard cotton programme	At full and partial load	min	123
Programme time of the standard cotton programme	At full load	min	160
	At partial load	min	96
Condensation efficiency class "X" on a scale from G (least efficient) to A (most efficient)			A
Average condensation efficiency of the standard cotton programme	At full load	%	91
	At partial load	%	91
Weighted condensation efficiency for the standard cotton programme	At full and partial load	%	91
Sound power level for the standard cotton programme	At full load	dB	66
Built-in (Yes/No)			No





<b>EN</b>	<p>This product contains fluorinated greenhouse gases.  Type of refrigerant: R134a  Quantity of refrigerant: 0.45 kg  Total GWP: 1430  CO<sub>2</sub> equivalent: 0.644 t  Hermetically sealed.</p>
-----------	---

<b>PL</b>	<p>Ten produkt zawiera fluorowane gazy cieplarniane.  Rodzaj czynnika chłodniczego: R134a  Ilość czynnika chłodniczego: 0,45 kg  Całkowity GWP: 1430  Ekwiwalent CO<sub>2</sub>: 0,644 t  Obudowa hermetyczna.</p>
-----------	--

<b>DE</b>	<p>Dieses Produkt enthält fluorierte Treibhausgase.  Art des Kühlmittels: R134a  Menge des Kühlmittels: 0,45 kg  Globales Treibhauspotenzial: 1430  CO<sub>2</sub>-Äquivalent: 0,644 t  Hermetisch abgedichtet.</p>
-----------	---

<b>HU</b>	<p>Ez a termék fluortartalmú üvegházhatást okozó gázokat tartalmaz.  A hűtőfolyadék típusa: R134a  A hűtőfolyadék mennyisége: 0,45 kg  Teljes globális felmelegedési potenciál: 1430  CO<sub>2</sub> egyenérték: 0,644 t  Légmentesen zárt.</p>
-----------	---

<b>FR</b>	<p>Ce produit contient des gaz à effet de serre fluorés.  Type de réfrigérant : R134a  Quantité de réfrigérant : 0,45 kg  PRG total : 1430  Équivalent en CO<sub>2</sub> : 0,644 t  Fermé hermétiquement.</p>
-----------	---

<b>SK</b>	<p>Tento produkt obsahuje fluórované skleníkové plyny.  Typ chladiva: R134a  Množstvo chladiva: 0,45 kg  Celkový GWP (potenciál globálneho otepľovania): 1430  Ekvivalent CO<sub>2</sub>: 0,644 t  Hermeticky uzatvorené.</p>
-----------	---

<b>NL</b>	<p>Dit product bevat gefluoreerde broeikasgassen.  Type koelmiddel: R134a  Hoeveelheid koelmiddel: 0,45 kg  Totale GWP: 1430  CO<sub>2</sub> equivalent: 0,644 t  Hermetisch afgesloten.</p>
-----------	--

<b>BG</b>	<p>Продуктът съдържа флуорирани парникови газове.  Тип на охладителната течност: R134a  Количество на охладителната течност: 0,45 kg  Общ GWP (потенциал за глобално затопляне): 1430  CO<sub>2</sub> еквивалент: 0,644 t  Херметизиран.</p>
-----------	--

<b>CS</b>	<p>Tento produkt obsahuje fluorové skleníkové plyny.  Typ chladiva: R134a  Množství chladiva: 0,45 kg  Potenciál globálního ohřevu (GWP) celkem: 1430  Ekvivalent CO<sub>2</sub>: 0,644 t  Hermeticky utěsněno.</p>
-----------	---

<b>HR</b>	<p>Proizvod sadrži fluorinirane stakleničke plinove.</p> <p>Vrsta rashladnog sredstva: R134a</p> <p>Količina rashladnog sredstva: 0,45 kg</p> <p>Ukupni GWP (potencijal globalnog zatopljenja): 1430</p> <p>Ekvivalent CO<sub>2</sub>: 0,644 t</p> <p>Hermetički zatvoreno.</p>
-----------	---

<b>RO</b>	<p>Acest produs conține gaze fluorurate cu efect de seră.</p> <p>Tipul de agent frigorific: R134a</p> <p>Cantitatea de agent frigorific: 0,45 kg</p> <p>Potențial de încălzire globală total: 1430</p> <p>Echivalent CO<sub>2</sub>: 0,644 t</p> <p>Închis ermetic.</p>
-----------	---

<b>SR</b>	<p>Ovaj proizvod sadrži fluorisane gasove koji izazivaju efekat staklene bašte.</p> <p>Vrsta rashladnog sredstva: R134a</p> <p>Količina rashladnog sredstva: 0,45 kg</p> <p>Ukupni GWP: 1430</p> <p>CO<sub>2</sub> ekvivalent: 0,644 t</p> <p>Hermetički zaptiveno.</p>
-----------	---

<b>ET</b>	<p>Sisaldab fluoritud kasvuhoonegaase.</p> <p>Külmaaine tüüp: R134a</p> <p>Külmaaine kogus: 0,45 kg</p> <p>GWP koguhulk: 1430</p> <p>CO<sub>2</sub> ekvivalente: 0,644 t</p> <p>Hermeetiliselt suletud.</p>
-----------	---

<b>SL</b>	<p>Izdelek vsebuje fluorirane toplogredne pline.</p> <p>Vrsta hladilnega sredstva: R134a</p> <p>Količina hladilnega sredstva: 0,45 kg</p> <p>Skupni potencial globalnega segrevanja: 1430</p> <p>Ekvivalent CO<sub>2</sub>: 0,644 t</p> <p>Hermetično zaprto.</p>
-----------	---

<b>LV</b>	<p>Satur fluorētas siltumnīcefekta gāzes.</p> <p>Dzesējošās vielas veids: R134a</p> <p>Dzesējošās vielas daudzums: 0,45 kg</p> <p>Kopējais GSP: 1430</p> <p>CO<sub>2</sub> ekvivalents: 0,644 t</p> <p>Hermētiski noslēgts.</p>
-----------	---

<b>BS</b>	<p>Ovaj proizvod sadrži fluorirane stakleničke plinove.</p> <p>Tip rashladnog medija: R134a</p> <p>Količina rashladnog medija: 0,45 kg</p> <p>Ukupni GWP (potencijal globalnog zagrijavanja): 1430</p> <p>Ekvivalent CO<sub>2</sub>: 0,644 t</p> <p>Rashladni medij je hermetički zatvoren.</p>
-----------	---

<b>LT</b>	<p>Sudėtyje yra fluorintų šiltnamio efektą sukeliančių dujų.</p> <p>Šaltnešio tipas: R134a</p> <p>Šaltnešio kiekis: 0,45 kg</p> <p>Iš viso KAP: 1 430</p> <p>CO<sub>2</sub> ekvivalentas: 0,644 t</p> <p>Hermetiška.</p>
-----------	--

<b>IS</b>	<p>Þessi framleiðsluvarningur inniheldur gróðurhúsalofttegundir með flúori.</p> <p>Tegund kæliefnis: R134a</p> <p>Magn kæliefnis: 0,45 kg</p> <p>Hnatthlýnunarmáttur (GWP): 1430</p> <p>CO<sub>2</sub>-jafngildi: 0,644 t</p> <p>Loftþéttar pakkningar.</p>
-----------	---

**Customer Service Centre** (For UK and Republic of Ireland)

Monday to Friday 9:00 - 17:00 Excluding public holidays.	<b>0844 844 3899</b>
	If calling from the Republic of Ireland, please call <b>01 289 8333</b>

SP10 CLASS HP A+++



510549

en (11-16)



**Panasonic Corporation**

<http://www.panasonic.com>

© Panasonic Corporation 2015

Printed in Slovenia  
August 2015  
(WGB)(WGN)