

User's Guide

for Echo™ 20 Thunderbolt™ 4 SuperDock™



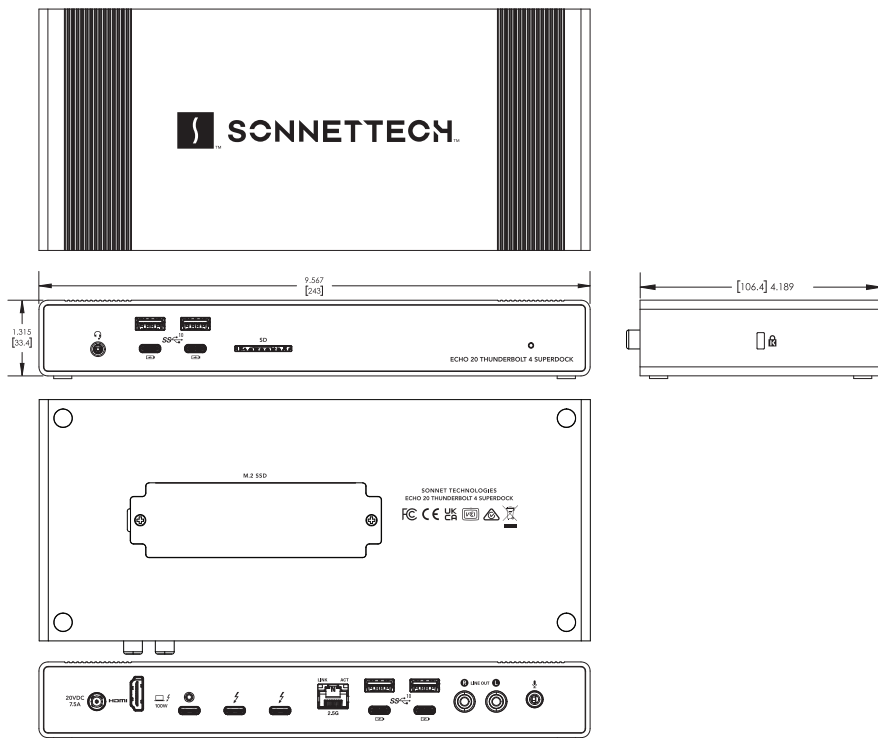
Support Note: This document was up to date at the time of printing. However, changes to the hardware or software may have occurred since then. Please check the Sonnet website for the latest documentation.

1. Go to <https://www.sonnettech.com/support/kb/kb.php>
2. Navigate to and click the Echo 20 Thunderbolt 4 SuperDock link.
3. Click the Manual link.
4. Click the Echo 20 Thunderbolt 4 SuperDock User's Guide [English] link and then check the Document Version information. If the version listed is later than this document (**revision C**), click the Download Now button for the latest version.

Contents

1	Compatibility Information and Computer Preparation	1
	Mac Compatibility	
	Windows Compatibility	
	iPad Compatibility	
	Required Drivers	
2	Echo 20 Thunderbolt 4 SuperDock Description	2
	Front Panel	
	Bottom Panel	
	Left Side Panel	
	Back Panel	
	Additional Package Contents	
3	SSD Installation and Dock Connection Steps	6
4	SSD Formatting and Booting Information	9
	How to Format an Installed SSD	
	Booting From an Installed SSD	
5	Audio Jacks and Ethernet Port Configuration Information	10
	Enabling the Combo Audio Jack—macOS	
	Enabling the Analog Audio Line Out Jacks—macOS	
	Enabling the Microphone Jack—macOS	
	2.5 Gigabit Ethernet Port Configuration Information—macOS and Windows	
6	Tips, General Information, and Known Issues	11
	Tips, General Information	
	Known Issues	
7	Precautions, Compliance, and Support Information	13
	Safety Precautions	
	Warnings	
	FCC Compliance	
	EU Compliance	
	Japan VCCI Compliance	
	Contacting Customer Service	

Chapter 1 – Compatibility Information and Computer Preparation



Mac® Compatibility

- macOS® 11+
- Mac (M1/M2 Series)
- Mac (Intel®) with Thunderbolt 3 port

Windows® Compatibility

- Windows computer with a Thunderbolt 4 port or USB4® port*
- Windows computer with an 8th generation or later Intel CPU plus a Thunderbolt 3 port

Chromebook Compatibility

- Chromebook computer with Thunderbolt 4 or USB4* port

iPad® Compatibility

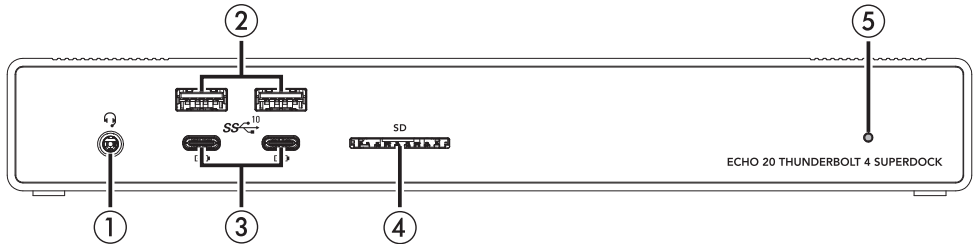
- iPad Pro® tablet with Thunderbolt port

Required Drivers

The standard drivers required to support the Echo 20 Thunderbolt 4 SuperDock are installed as part of macOS 11 and later; Windows 11 and 10, and iPadOS®.

* When connected to a USB4 Windows or Chromebook host, this dock's Thunderbolt 4 peripheral ports become USB4 ports with the same functionality as the host computer USB4 port – which may support one display or two; which may connect at 20Gbps or 40Gbps; and/or which may or may not support PCIe tunneling.

Chapter 2 – Echo 20 Thunderbolt 4 SuperDock Description



Front Panel

1 – Combo Audio Jack

Connect headphones or a headset.

2 – USB 3.2 Gen 2 (10Gbps) Type A Ports

Connect USB devices to these ports.

3 – USB 3.2 Gen 2 (10Gbps) Type-C Charging Ports

Connect USB devices to these ports. These ports are USB Type-C Charging-compliant; you may charge iOS® devices – and other devices that charge via USB – connected to these ports.

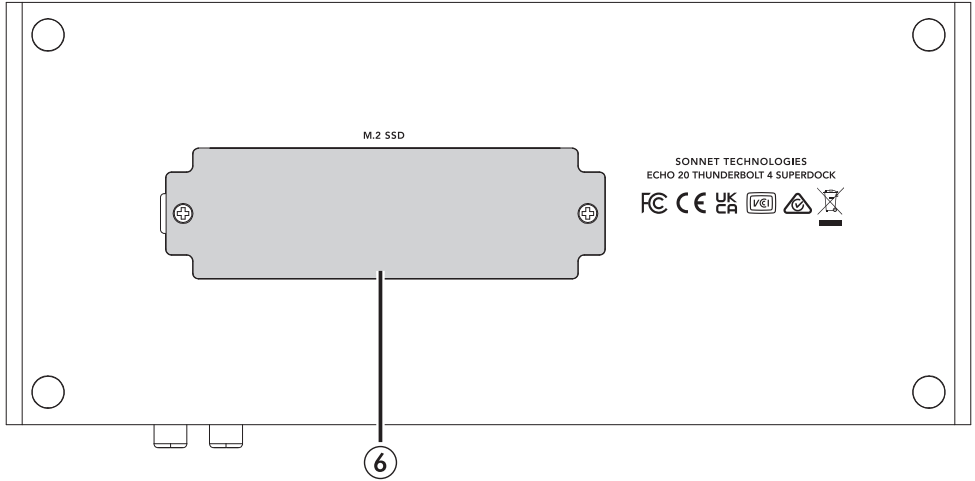
4 – SD™ 4.0 Card Slot

This supports SD, SDHC™, and SDXC™ memory cards. Insert cards label-side up. microSD, microSDHC, and microSDXC cards are also supported when used with an adapter (not included).

5 – Power Indicator LED

This lights when the Echo dock is powered, the Thunderbolt cable between the dock and your computer is plugged in securely, and the computer powered on.

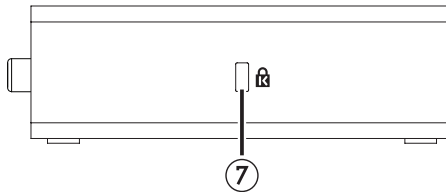
Chapter 2 – Echo 20 Thunderbolt 4 SuperDock Description



Bottom Panel

6 – SSD Cover Plate

Remove this plate to install an M.2 NVMe 2280 PCIe SSD; instructions follow.

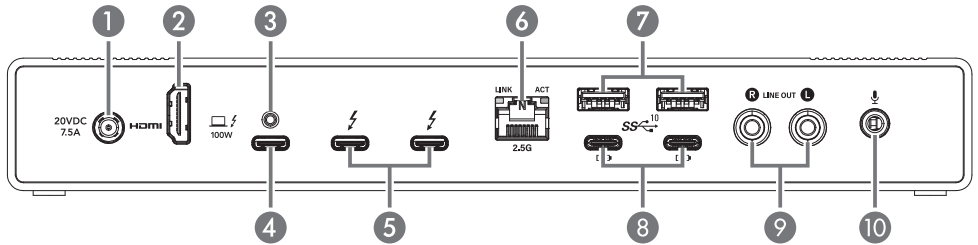


Left Side Panel

7 – Kensington® Lock Slot

When used with a Kensington Lock (sold separately), this can provide added security for the Echo dock. Also compatible with Kensington MicroSaver® and MicroSaver 2 locks.

Chapter 2 – Echo 20 Thunderbolt 4 SuperDock Description



Back Panel

1 – 20VDC 7.5A Socket

Connect the included DC power adapter between this socket and the included power cord.

2 – HDMI 2.1 Port

Connect an HDMI display to this port.

3 – Threaded Nut for ThunderLok 4

Attach the included Thunderbolt connector retainer clip here.

4 – Computer/Charging Port

Connect your computer or iPad to this port using the included Thunderbolt 4 cable. For laptop/notebook computers (and iPad Pro) that support charging through a Thunderbolt port, this port delivers up to 100W of power.

5 – Thunderbolt Peripheral Ports

Connect Thunderbolt or USB peripheral devices (including monitors) to these ports using appropriate cables or adapters. These ports provide up to 15W of downstream power to connected bus-powered devices.

6 – 2.5 Gigabit Ethernet Port

Supports 2.5 Gb/s, 1 Gb/s, and 100 Mb/s link speeds. Connect to a switch or router using Cat 5e or better unshielded twisted pair (UTP) cable with RJ45 connectors. The left (green) LED lights up to indicate an Ethernet link, while the right (orange) LED flashes to indicate network activity.

7 – USB 3.2 Gen 2 (10Gbps) Type A Ports

Connect USB device to these ports.

8 – USB 3.2 Gen 2 (10Gbps) Type-C Charging Ports

Connect USB devices to these ports. These ports are USB Type-C Charging-compliant and can charge devices that charge via USB.

9 – Analog Audio Line Out Jacks

Connect stereo RCA cables (not included) between these jacks and the line in jacks of a preamplifier, integrated amplifier, receiver, powered speakers, or audio interface. Be sure to connect red and white cable connectors to red and white connectors, respectively, on the dock and end device.

10 – Microphone Jack

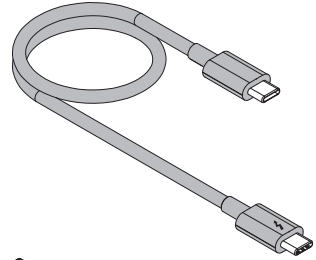
Connect a mono microphone to this connector.

Chapter 2 – Echo 20 Thunderbolt 4 SuperDock Description

Additional Package Contents

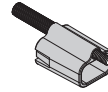
Thunderbolt 4 (40Gbps) Cable

Connect this cable between the Echo dock and one of your computer's Thunderbolt ports (often indicated by a \mathcal{T} logo) or USB4 port, or other Thunderbolt peripheral device in the chain connected to the computer. Connecting the dock to a computer port marked with the generic USB icon (Ⓜ) or USB + Charging Port icon (⚡) is NOT supported.



ThunderLok 4 Thunderbolt 4 Connector Retainer Clip

This clip secures the Thunderbolt 4 connector plugged into the Echo dock's Computer/Charging Port to prevent accidental cable disconnection.



Power Adapter (Not Shown)

Connect this to the Echo dock's 20VDC 7.5A socket.

Power Cord (Not Shown)

Connect this between a power outlet and the power adapter.

Chapter 3 – SSD Installation and Dock Connection Steps

SSD Installation Steps and Dock Connection

Steps 1–8 are optional. If you are *not* installing an SSD, skip to the Support Note at the bottom of the next page.



Support Note: To avoid damaging components due to static electricity discharge, wear an antistatic wrist strap while working inside the Echo dock.

1. Turn the dock upside down. Using a #1 Phillips screwdriver, remove the two screws securing the SSD Cover Plate to the bottom of the dock as shown (Figure 1). Set aside the plate and screws.
2. Remove the screw from the standoff inside the dock as shown (Figure 1).
3. Handling it by its edges, remove your SSD from its packaging.
4. Fully insert the SSD at an angle into the SSD socket (Figure 2).

 **WARNING:** When handling computer products, take care to prevent components from being damaged by static electricity; avoid working in carpeted areas. Handle SSDs only by their edges and avoid touching connector traces and component pins. Also, avoid touching the Echo dock's circuit board and any of its components.

5. Using the screw you removed previously, secure the SSD to the standoff; **do not** overtighten the screw (Figure 3).

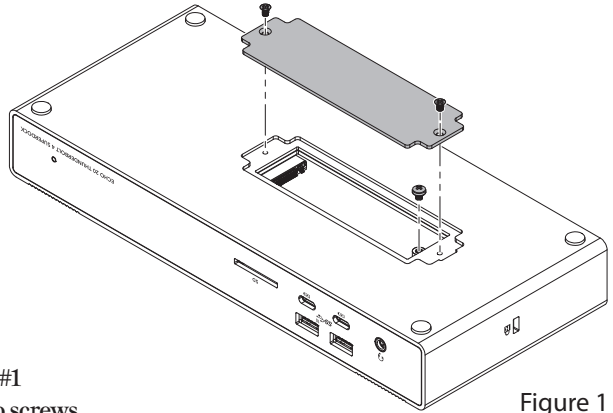


Figure 1

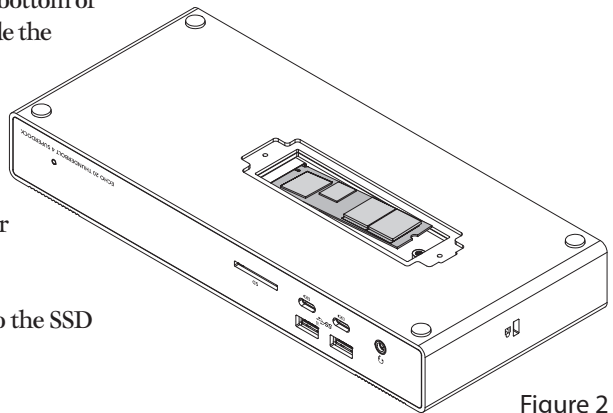


Figure 2

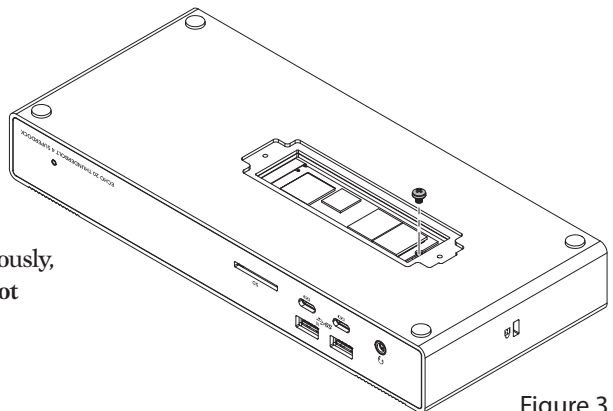


Figure 3

Chapter 3 – SSD Installation and Dock Connection Steps

6. Remove the plastic sheet covering the thermal transfer pad attached to the bottom of the SSD cover plate as shown (Figure 4).

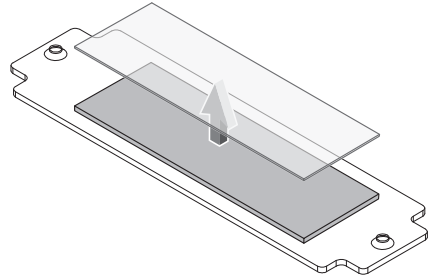


Figure 4

7. Place the SSD Cover Plate back on the bottom of the dock with its thermal transfer pad face-down, and then rub the surface of the plate back and forth plate to ensure the pad makes good contact with the SSD (Figure 5).

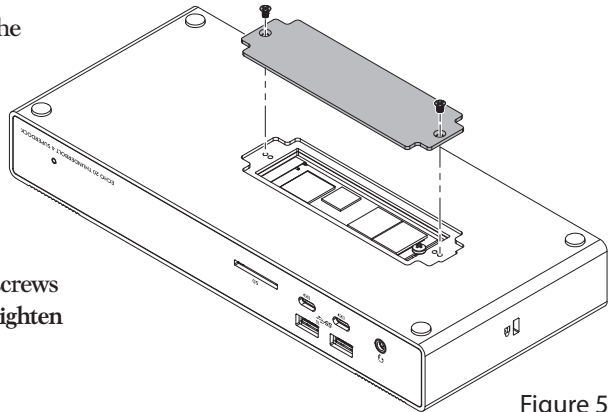


Figure 5

8. Secure the cover plate using the two screws you removed previously; **do not overtighten the screws** (Figure 5).



Support Note: Sonnet's ThunderLok™ 4

Thunderbolt connector retainer clip secures the included Thunderbolt 4 cable to the Echo dock to prevent accidental disconnects. To attach the clip to the cable, remove both items from their packaging, and then insert the connector through the connector clip as shown (Figure 6). Note that the connector will pass all the way through the clip; when you connect the cable to the dock, the clip will secure the connector.

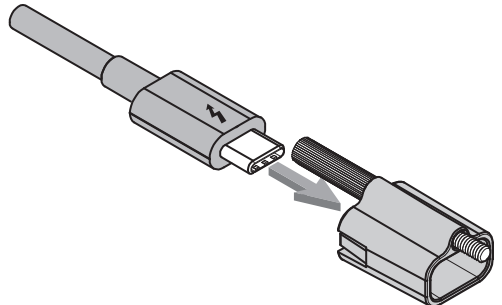


Figure 6

Chapter 3 – SSD Installation and Dock Connection Steps

9. Connect the included Thunderbolt 4 cable (or 0.8-meter or shorter 100W Thunderbolt 3 (40Gbps) cable, or any other Thunderbolt 4 cable) between the Echo dock's Computer/Charging port and a Thunderbolt or USB4 port on your computer or iPad Pro (Figure 7). Note that cables and computer ports marked with a generic USB icon (🔌) or USB + Charging Port icon (🔌⚡) are NOT compatible. Secure the retainer clip to the dock if you attached it.

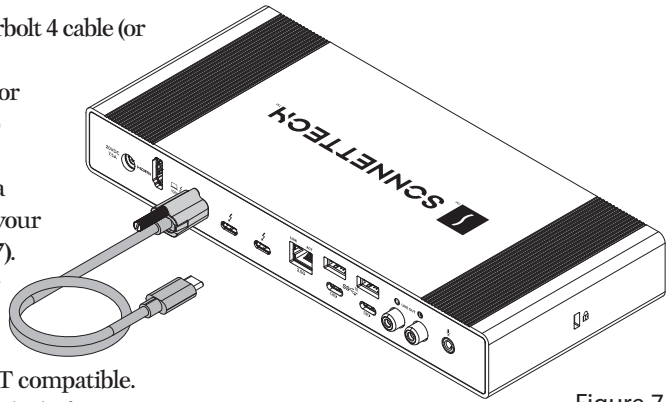


Figure 7

10. Connect the included power cord between a wall outlet or power strip and the power adapter; verify the connectors are plugged in securely.
11. Connect the power adapter cable to the dock's 20VDC 7.5A socket. Note that the power indicator on the Echo dock will not light until the computer, and any other Thunderbolt device connected between it and the Echo dock, is powered on.

Chapter 4 – SSD Formatting and Booting Information

How to Format an Installed SSD

macOS:

Use Disk Utility (found in the Utilities folder within the Applications folder) to format an installed SSD.

Windows:

Use either Windows Disk Management or Storage Spaces to format an installed SSD.

Booting From an Installed SSD

macOS:

The Echo dock supports booting your Mac from an installed SSD. Please note that in some cases it may be necessary for you to hold the *option* key during a start, and then select the startup disk installed in the Sonnet dock.

Windows:

The Echo dock supports booting from an installed SSD when used with Windows computers with UEFI BIOS.

Chapter 5 – Audio Jacks and Ethernet Port Configuration Information

Enabling the Combo Audio Jack—macOS

1. Connect headphones or a headset to the Combo Audio Jack.
2. From the Apple menu, select System Preferences.
3. In the *System Preferences* window, click Sound. In the *Sound* preference window, click the Output tab, and then select Dock Headset. If you wish to enable the audio input through Combo Audio Jack, click the Input tab, and then select Dock Headset.

Enabling the Analog Audio Line Out Jacks—macOS

1. Connect RCA cables between the Line Out jacks and the line in jacks of a preamplifier, integrated amplifier, receiver, powered speakers, or audio interface.
2. From the Apple menu, select System Preferences.
3. In the *System Preferences* window, click Sound. In the *Sound* preference window, click the Output tab, and then select Dock RCA Line Out.

Enabling the Microphone Jack—macOS

1. Connect an analog microphone to the Microphone jack.
2. From the Apple menu, select System Preferences.
3. In the *System Preferences* window, click Sound. In the *Sound* preference window, click the Input tab, and then select Dock Microphone.

2.5 Gigabit Ethernet Port Configuration Information—macOS and Windows

With the Echo dock connected to your computer and network infrastructure, configure the dock's network settings.

- *Mac Users:* Use System Preferences' Network preferences panel. The dock's Ethernet port will be identified as USB 10/100/1G/2.5G LAN.
- *Windows Users:* Use Windows Device Manager, Network Adapters category. The dock's Ethernet port will be identified as Realtek Gaming USB 2.5GbE Family Controller.

Chapter 6 – Tips, General Information, and Known Issues

TIPS, GENERAL INFORMATION

There's No Need to Unplug the Power Adapter

Because the Echo dock automatically powers on and off with the computer to which it's connected, there's no power switch, nor is there any need to disconnect the power cable under normal use.

Power Indicator LED Operation

The dock's power indicator only lights when the computer to which it's connected is on, and turns off when the computer is sleeping or powered off.

Hot Plugging the Echo Dock

You may connect and disconnect the dock while the computer is on. If you have an SSD installed in the dock, or have anything connected such as storage devices, cameras, etc., follow proper procedures for ejecting (unmounting) those devices before unplugging the dock from the computer.

Using the Echo Dock to Charge Your Computer or iPad Pro

- Compatible laptop/notebook computers and iPad tablets may be charged via the Echo dock's Computer/Charging port (Power Delivery charging), which provides up to 100W of power.
- Windows laptops with AC power adapters rated at greater than 100W may display a Power Manager alert when the dock (but not the computer's power adapter) is initially connected to the computer. This is normal.

Using the Echo Dock to Charge Your Computer or iPad Pro (continued)

- Laptops with AC power adapters rated greater than 100W will accept up to 100W power from the dock, but may slowly discharge; connecting bus-powered storage to a laptop will draw additional power that may affect the charging (discharging) rate. When sleeping, any connected computer that supports Thunderbolt charging will be charged to 100%.

The Echo Dock Provides Downstream Power

For connected peripheral devices requiring extra power, the Echo dock provides up to 15W to bus-powered devices through its Thunderbolt peripheral ports, enabling them to operate without connecting an additional power adapter.

Connecting Additional Thunderbolt 3 or 4 Peripheral Devices

The dock includes two Thunderbolt peripheral ports. They support connection of up to five additional Thunderbolt peripheral devices through daisy-chain connection.

Thunderbolt Cable Compatibility

You may use 0.8-meter or shorter Thunderbolt 3 (40Gbps) cables (or any Thunderbolt 4 cable) with Thunderbolt 4 or Thunderbolt 3 peripherals without any compromise in performance.

Chapter 6 – Tips, General Information, and Known Issues

How to Identify Thunderbolt 3 (40Gbps) Cables

Full performance requires the use of the included Thunderbolt 4 cable, any other Thunderbolt 4 cable, or a 40Gbps (not 20Gbps) Thunderbolt 3 cable; look for the Thunderbolt icon (⚡) AND the number 3 or 4 on the connector housings to identify Thunderbolt cables. Cables marked with the generic USB icon (🔌) are NOT compatible for connecting the Echo dock to the computer.

2.5 Gb/s and 1 Gb/s Ethernet Link Speeds Support Requirements

The Echo dock only supports a 2.5 Gb/s Ethernet link speed when used with NBASE-T compatible (multi-Gigabit) switches, routers, and other devices and connected via CAT 5e (or better) cabling. Multi-Gigabit-compatible equipment is not required for 1 Gb/s and lower link speed support.

Display Support

Although this dock supports the connection of up to two displays (two through the Thunderbolt peripheral ports, or one through the HDMI port plus one through a Thunderbolt peripheral port), the number of displays supported (as well as specific resolutions and standards supported) is dependent on the connected computer, its GPU, and its OS software. *Note that when used with an M1 or M2 MacBook Air, MacBook Pro, or Mac mini with two Thunderbolt/USB4 ports, only one display can be connected to the dock.* For more information, see https://www.sonnettech.com/support/downloads/manuals/Thunderbolt_4_Dock_Compatibility.pdf

KNOWN ISSUES

Not All Computers' Thunderbolt Performance is Equal

When using the dock with Thunderbolt 3 Windows computers, be aware that some use an x2 (2 lane) implementation of Thunderbolt 3 that limits PCIe bandwidth to 20Gbps (up to 1,400 MB/s). All Thunderbolt 4 computer ports support PCIe x4.

Not All Thunderbolt Cables Deliver Full Performance

Full performance from the Echo dock requires the use of the included (or comparable) Thunderbolt 4 cable, or any 0.8-meter or shorter Thunderbolt 3 (40Gbps) cable. When shopping for a Thunderbolt 3 cable, please be aware that some support only lower data transfer speeds (20Gbps).

Operating System (OS) Updates May Break Compatibility

Specific device drivers that work under one OS version may not work under a later version. Before updating your computer to the latest OS, we recommend that you contact your Sonnet to verify that the existing drivers work. Note that other computer software updates may also break compatibility.

Some Devices' Performance May be Affected by Where They Are Connected in a Thunderbolt Chain

However small, Thunderbolt introduces latency to a device chain. If you connect additional Thunderbolt devices to the dock, you may need to experiment with ones work better closer to or farther from the computer in the chain.

Chapter 7 – Precautions, Compliance, and Support Information

SAFETY PRECAUTIONS

Please read this section carefully before proceeding. These precautions explain the correct and safe use of this device, thereby helping to prevent injury to you or others, and also help you to minimize the risk of damaging the device.

Warnings

Always follow the basic warnings listed here to avoid the risk of serious injury or death from electrical shock, short-circuiting, fire, and other hazards. These warnings include, but are not limited to:

- Do not attempt to modify the enclosure. If this device appears to be malfunctioning, contact your reseller or local distributor.
- Do not drop the dock; dropping or mishandling the dock may result in a malfunction leaving the product inoperable.
- Do not expose the device to rain, use it near water or containers that contain liquids which might spill into any openings, or in damp or wet conditions.
- If unusual smells, sounds, or smoke come from the device, or if liquids enter it, switch it off immediately and unplug it from the electrical outlet.
- Follow the instructions in this manual carefully; contact your reseller or local distributor for additional advice not covered in this User's Guide.

FCC Compliance

Echo 20 Thunderbolt 4 SuperDock complies with Part 15 of the FCC Rules. Operation is subject to the following two conditions: This device may not cause harmful interference, AND this device must accept any interference received, including interference that may cause undesired operation.

EU Compliance

Sonnet Technologies, Inc. hereby declares that this device is in compliance with Directive 2014/30/EU.

Japan VCCI Compliance

この装置は、クラスB情報技術装置です。この装置は、家庭環境で使用することを目的としていますが、この装置がラジオやテレビジョン受信機に近接して使用されると、受信障害を引き起こすことがあります。取扱説明書に従って正しい取り扱いをしてください。VCCI-B

Chapter 7 – Precautions, Compliance, and Support Information

Contacting Customer Service

The Sonnet website located at www.sonnettech.com has the most current support information and technical updates. Before contacting Customer Service, please check our Web site for the latest updates and online support files, and check this User's Guide for helpful information.

Email support requests generally receive the fastest responses, and are usually processed within a 24-hour period during normal business hours, excluding holidays. When you contact Customer Service, have the following information available so the customer service staff can better assist you:

- Product name
- Date and place of purchase
- Computer model
- Operating system version
- Software/firmware versions
- A System Report (macOS) or a Microsoft System Information MSINFO32 (Windows) report (Windows), along with a description of the issue(s) you are encountering with your device

If further assistance is needed, please contact **Sonnet Customer Service** at:

E-mail: support@sonnettech.com

Tel: 1-949-472-2772

(Monday–Friday, 9 a.m.–5 p.m. Pacific Time, excluding holidays)

Japan Customers

Contact Sonnet Customer Service Japan at:

E-mail: jp.support@sonnettech.com