

# DM 4 DALI KNX

Item no.: 4940300



## DALI

### DALI-Gateways und -Aktoren

#### Description

- 4-wax DALI actuator
- DALI-2 certified
- Interface between the DALI system and the KNX bus
- 4 channels, broadcast communication
- Control of up to 30 DALI devices per channel
- Control of light colour and colour temperature according to EN 62386-209 (DT-8)
- Simple commissioning and maintenance thanks to broadcast communication
- Simple replacement of ECGs in the event of a fault
- Simple commissioning and programming in the ETS, without additional tools or ETS app
- Secure communication through KNX Data Secure



#### Technical data

DM 4 DALI KNX	
Operating voltage KNX	Bus voltage, <10 mA
Operating voltage	100 – 240 V AC/DC 50 – 60 Hz
Frequency	50 – 60 Hz
Width	4 modules
Installation type	DIN rail

DM 4 DALI KNX	
Type of connection	Terminal screws   Bus connection: KNX bus terminal
Ambient temperature	-5°C ... 45°C
Stock temperature	-25°C ... 70°C
Protection class	I
Type of protection	IP 20

Subject to technical changes and misprints

additional information at: [www.theben.de/product/4940300](http://www.theben.de/product/4940300)

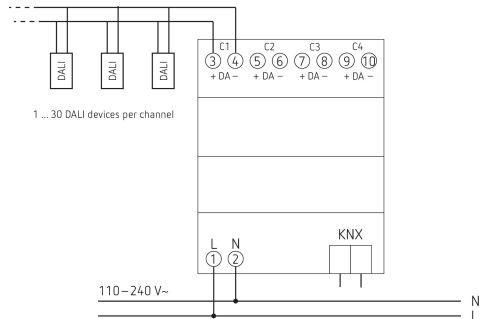
The load data are determined with exemplary selected illuminants and are therefore typical data due to the large number of available products.

# DM 4 DALI KNX

Item no.: 4940300



## Connection example



Subject to technical changes and misprints

additional information at: [www.theben.de/product/4940300](http://www.theben.de/product/4940300)

The load data are determined with exemplary selected illuminants and are therefore typical data due to the large number of available products.

07/08/2022

Page 2 of 2