





# Starry Knight SK30



- Up to 200mm PSU installation by removable HDD cage.
- Two-vertically expansion slots supports GPU vertical installation needs.

# StarryKnight SK30



*Dazzling RGB by pre-installed 4 x SquA ARGB fans*

*Support vertical GPU installation by vertically expansion slot*

*Tool-less GPU holder to protecting system component from sagging*

*Curved mesh surface design provides best air-flow*

*6-ports control hub supports addressable RGB lighting synchronization*

- Excellent expandability
  - Support to install E-ATX motherboard for high-end system built.
- Outstanding cooling capacity
  - Total two 360mm radiators installation at the top and in the front to keep system stay cool.
  - Maximum NINE fans installation provides best air-flow in the chasis.
  - Curved mesh surface design for excellent ventilation.
- User-friendly
  - Side I/O ports panel design unaffected users to rebuilt front panel parts.
  - Tool-less GPU holder to protecting system component from sagging and stability.
  - Removable dust filters on both top and bottom side to cleaning easily.
- Dazzling RGB
  - Build-in 6 ports LED control HUB supports addressable RGB lighting synchronization.
  - Pre-installed 4 SquA RGB fans present unique RGB lighting effects.



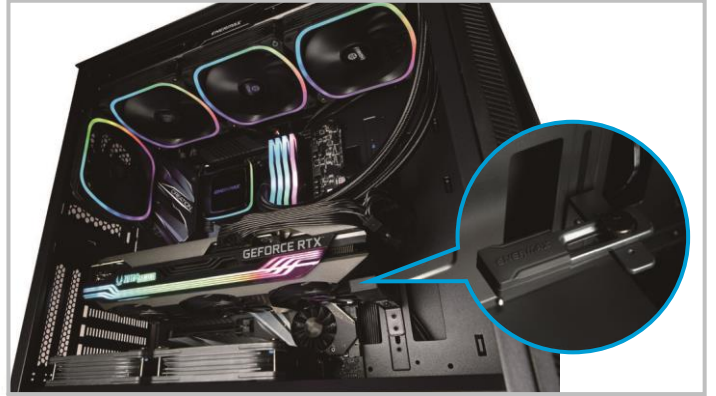
Total two 360mm radiators installation at the top and in the front



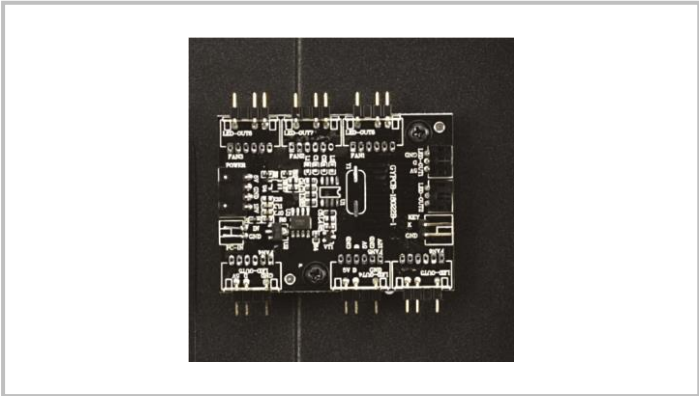
Maximum NINE fans installation provides best air-flow in the chasis



Curved mesh provide outstanding ventilation



Tool-less GPU Holder



Build-in 6 ports Addressable RGB control hub

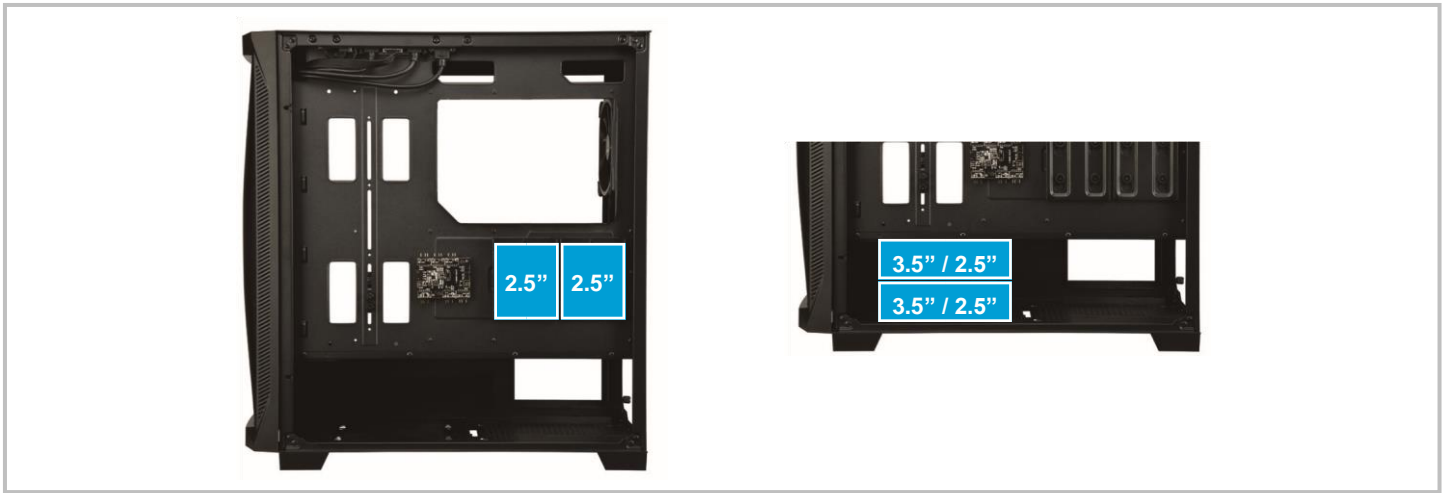


7-horizontally & 2-vertically expansion slots

Dust filter on both top and bottom side



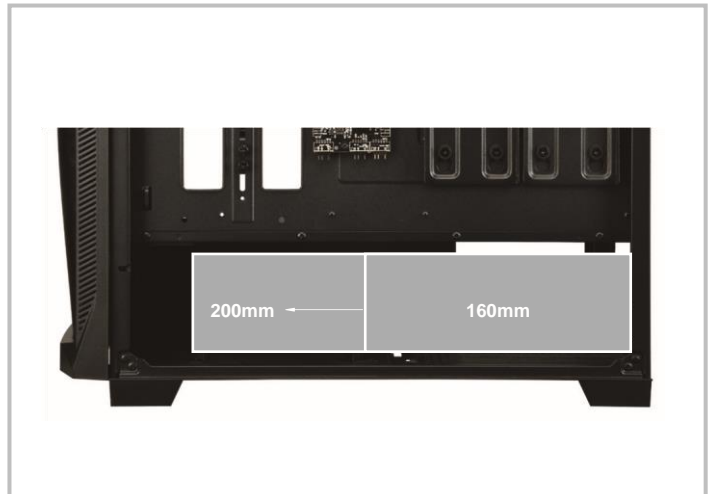
Interior configuration – MINI-ITX to E-ATX motherboard compatibility



Supports total 2 x 3.5" and 4 x 2.5" (2 x converted from 3.5" HDD Cage) drive bays)



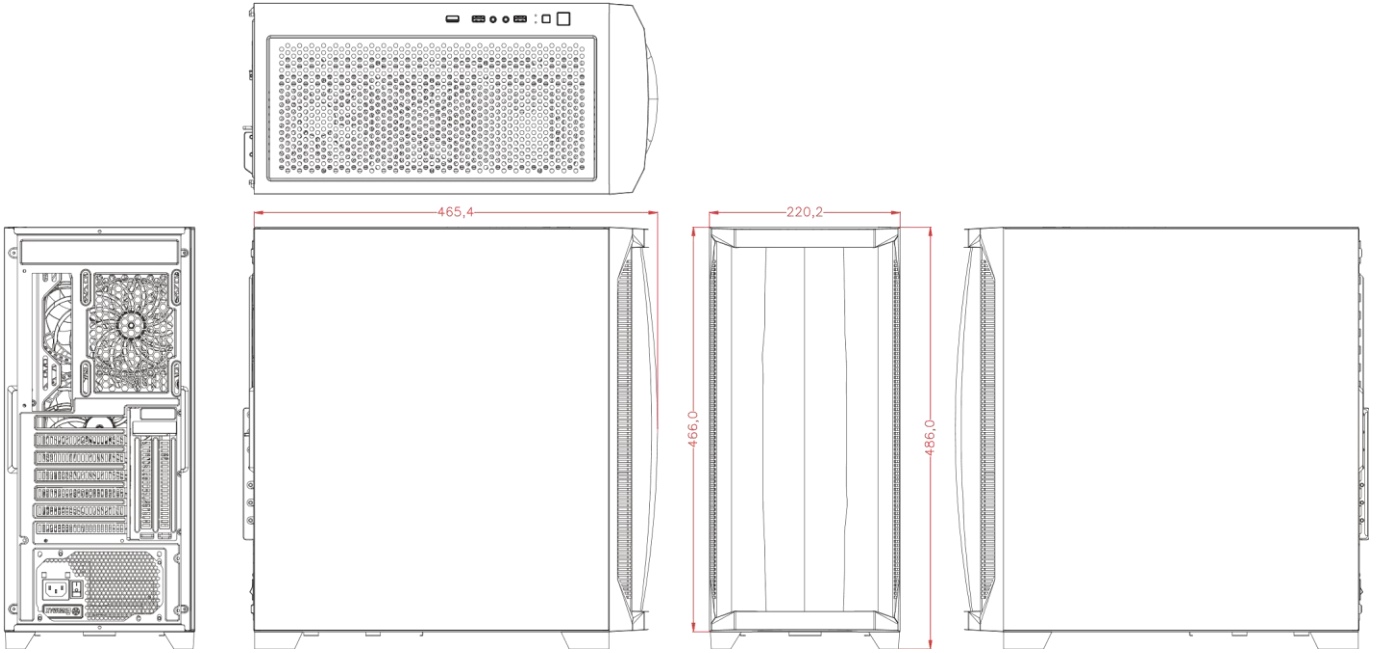
Support up to 405mm VGA installation. (Excluded radiator)



Removable HDD cage for maximum PSU install

## Dimension

unit : mm





Model Number		ECA-SK30-BB-ARGB	ECA-SK30-BB-ARGB-01
Dimensions (Case)		D465 x W220 x H486mm	
Material		Tempered Glass, SPCC	
M/B Type		E-ATX, ATX, Micro-ATX, Mini-ITX	
I/O		USB3.2 Gen 1 x 2 , USB2.0 x 1 , HD Audio x 1	
Drive Bays	3.5"	2	
	2.5"	4 (2x converted from 3.5" HDD Cage)	
Expansion Slots		7 + 2 Vertical	
Fan Support	Front	3 x 140mm / 3 x 120mm (Pre-installed 3 x 140mm SquA RGB)	3 x 140mm / 3 x 120mm (Pre-installed 3 x 140mm SquA RGB HUB ARGB)
	Top	2 x 140mm / 3 x 120mm	
	Rear	1 x 120mm (Pre-installed 120mm SquA RGB)	
	PSU Tunnel	2 x 120mm	
Radiator Support	Front	360 / 280 / 240mm	
	Top	360 / 280 / 240mm	
	Rear	120mm	
Clearance	PSU	160mm (Incl. HDD Cage), 200mm (Excl. HDD Cage)	
	VGA Card	405mm (Excluded radiator)	
	CPU Cooler	170mm	
Cable Routing Space		25mm	
<b>Shipping Information</b>			
Barcode	EAN	4713157726452	4713157726469
	UPC	819315026458	819315026465
Carton Dimension		D526 x W282 x H521mm	
Net Weight		7.5 kg	
Gross Weight		8.6 kg	

\*Product specifications are subject to change without notice.

\*Options vary by countries or regions.

\*For detailed information please visit our website at [www.enermax.com](http://www.enermax.com)

