

装回顶盖并以螺丝锁固。
Install the top cover, screw and lock it.

连接说明 / Connection Guide

HD AUDIO 连接 / Connection

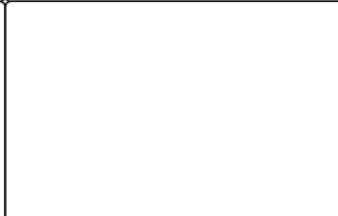
AUG GND	PORT 1L
PRESENCE	PORT 1R
SENSE1_RETURN	PORT 2R
SENSE2_RETURN	SENSE_SEND
	PORT 2L

AC97 AUDIO 连接 / Connection

AUG GND	MIC
NG	MIC_BIAS
RET_R	FP0UT_R
	NG
RET_L	FP0UT_L

USB 连接 / Connection

USB+5V	USB+5V
LP-	LP-
LP+	LP+
GND	GND
NC	



电源开关连接 Power Switch

电源灯连接 Power LED

复位开关连接 Reset Switch

硬盘灯连接 H.D.D. LED

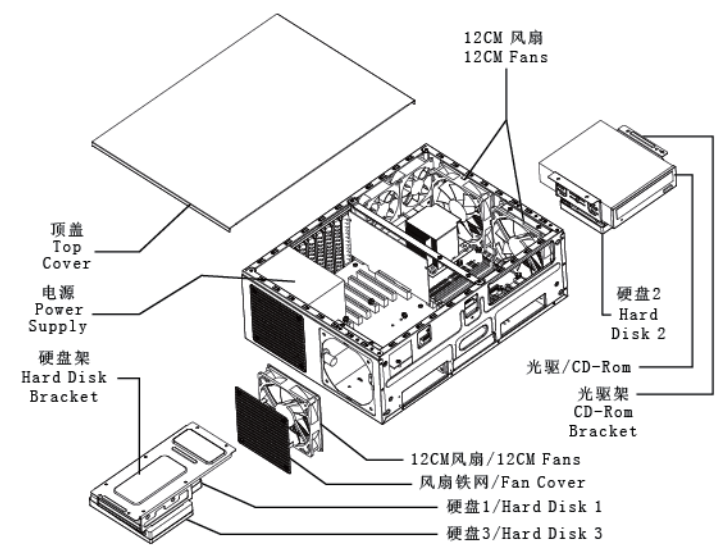
音量旋钮调节系统
音量大小，数据接头插主板USB插针上。
Volume control knob should be connected to the motherboard USB port.

如需拆下面板，先松开图中所示螺丝，用螺丝刀自面板底部缺口处轻轻撬开。
For removing front panel, unscrew the screw as shown, and then use a screw-driver to lever it from the gap on the bottom.

前置热插拔硬盘数据接口，SATA接头直接插主板SATA接口，D型接头直接插电源输出的D型4 PIN接口。
For front panel hot swapping, SATA connector should be connected to motherboard, and the D type connector should be connected to the 4 pin connector of the power supply.

遥控接收器安装图示：
如图所示在显示窗旁边位置装入接收器，并用螺丝锁固。
Remote control receiver installation instruction: Install it as shown, and then screw and fix it.

机箱说明书 / User's Manual



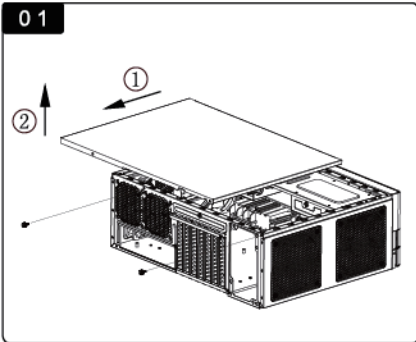
机箱参数 / Specification

尺寸/Size	440MM(W) x 151MM(H) x 351MM(D)
材料/Material	0.8MM SECC 钢板 / 0.8MM SECC Steel
电源/Power	标准 ATX PS2 / Standard ATX PS2
主板/Mainboard	ATX, Micro-ATX, U-ATX, ITX
驱动/Drive	1x5.25"/3x3.5" 或 1x5.25"/2x3.5"/1x2.5"
扩展槽/Slot	7
重量/Weight	净重/N.W.: 5.25KG, 毛重/G.W.: 6.6KG

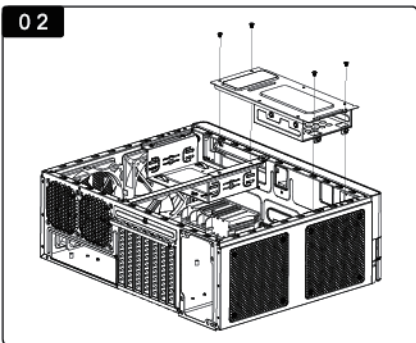
注意事项 / Attention

- *为了更方便安装，请参考本说明书的推荐流程，按先后顺序进行安装。
- *热插拔接口的硬盘接入后，在设备管理器中进行“扫描检测硬件改动”操作。
- *音量旋钮数据接口为四线五孔防插反设计，需插入主板的USB插针上。
- *如果安装遥控器，请参照遥控器的安装说明书进行操作。
- *安装硬盘、光驱、光驱架、硬盘架时需注意安装方向和安装顺序。
- *为了外观的统一性，本产品面板设计光驱自动翻门，为了不影响光驱托盘的收回，部份型号的光驱需拆下光驱托盘的挡片。
- *如果主板的音频接口是AC97接口，请勿插入HD AUDIO接头，否则会损毁主板。
- *Please refer to the procedure of this menu and install step by step.
- *After hot-swapping hard disk, please choose "Scan for New Hardware" in Device Manager.
- *Simply plug the connector of the Volume control knob into your motherboard USB port for Volume control knob working.
- *If you need to install the optional remote control set, please refer to the remote control set menu for installation.
- *Please pay attention to the direction and order for installing hard disk, CD-Rom, CD-Rom bracket and hard disk bracket.
- *For the unilarity of exterior, automatic CD-Rom door is used in the front panel of the case. For CD-Rom functioning normally, some of the CD-Rom front plate may be needed to be removed depended on different CD-Rom type.
- *If your motherboard only provides AC97 port, please pay attention not to plug HD Audio connector into it, otherwise it may damage your motherboard.

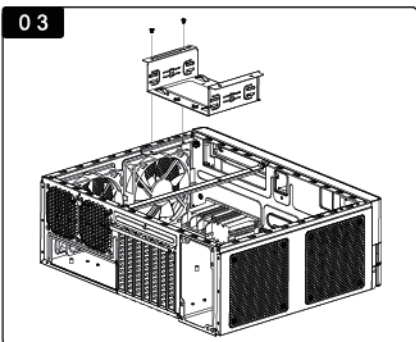
推荐安装步骤 / Installation Procedure



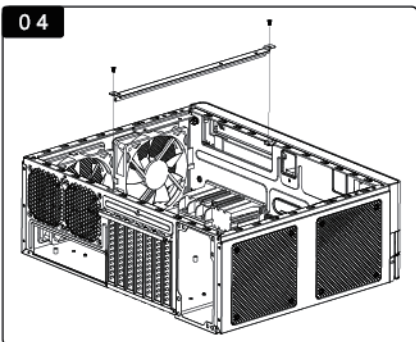
01
 松开后板两颗螺丝，向后拉出顶盖，向上取出。
 Unscrew 2 screws from rear plate, and then pull out the top cover.



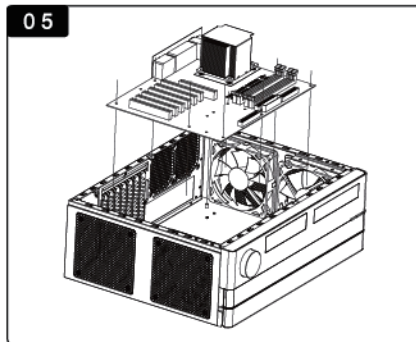
02
 松开四颗螺丝，向上取出硬盘盒。
 Unscrew 4 screws, and then remove the hard disk bracket.



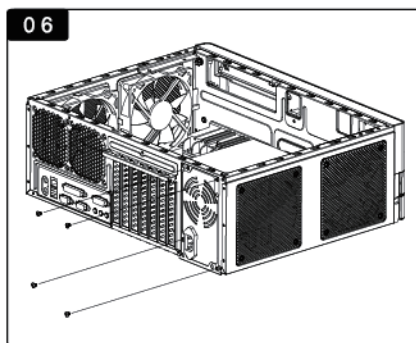
03
 松开两颗螺丝，向上取出光驱架。
 Unscrew 2 screws, and then remove the CD-Rom bracket.



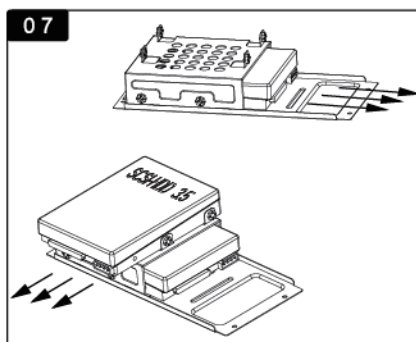
04
 松开两颗螺丝，向上取出中支撑架。
 Unscrew 2 screws, and then remove the central support bracket.



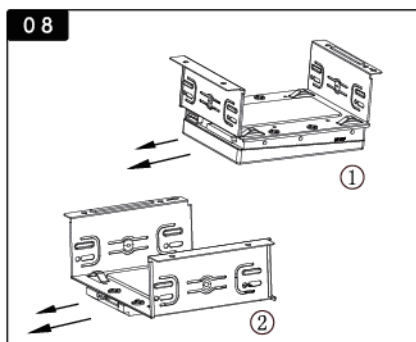
05
 放入主板，用螺丝锁固。
 Install the motherboard, and then screw and lock it.



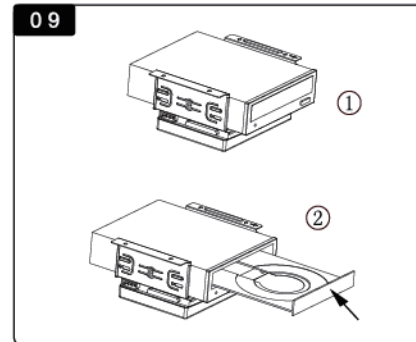
06
 放入电源，用螺丝锁固。
 Install the power supply, and then screw and lock it.



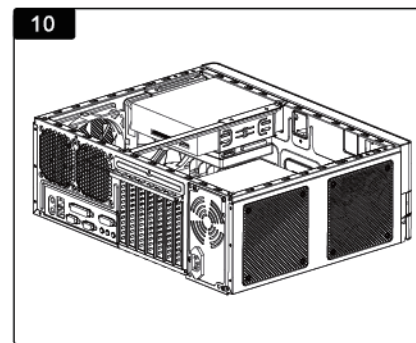
07
 安装硬盘，箭头方向为硬盘数据接口方向。按顺序装入硬盘，硬盘盒内部为第一硬盘位，硬盘盒底部为第三硬盘位。
 To install hard disks, the connectors of hard disks should face the pointing directions. The first hard disk should be installed in the inner space of hard disk bracket, and the third hard disk should be installed on the bottom of hard disk bracket.



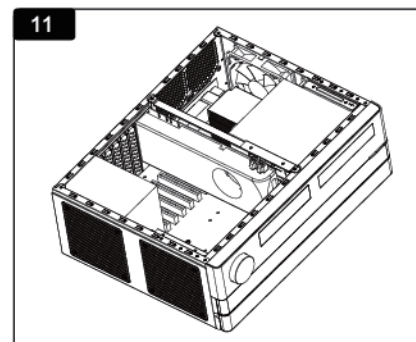
08
 光驱架底部为第二硬盘位，图①为3.5寸硬盘的装入方式，图②为2.5寸硬盘的装入方式。箭头方向为数据接口方向。
 The second hard disk should be installed on the bottom of CD-Rom bracket and the connector of hard disk should face the pointing directions. For installing 3.5 inch hard disk, please refer to diagram ①, for installing 2.5 inch hard disk, please refer to diagram ②.



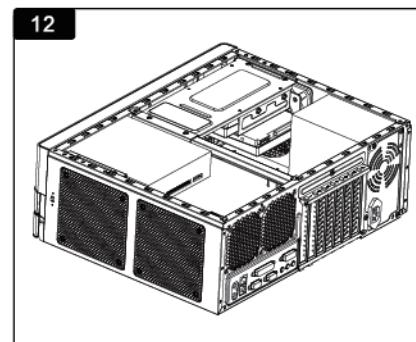
09
 装入光驱，注意螺丝固定孔位的选择，如图②示，如果光驱的托盘仓门过大，需要拆下托盘仓门。
 To install CD-Rom, please pay attention to choose the correct screw holes. If the CD-Rom front plate is too large to be installed, it should be removed.



10
 装回中支撑架，放回光驱架，连接好数据线。
 Install central support bracket and CD-Rom bracket, and then connect all the cables.



11
 装入显卡，连接数据线。
 Install display card and connect any display card cable if available.



12
 装入硬盘架，连接数据线。
 Install hard disk bracket, and then connect all the cables.