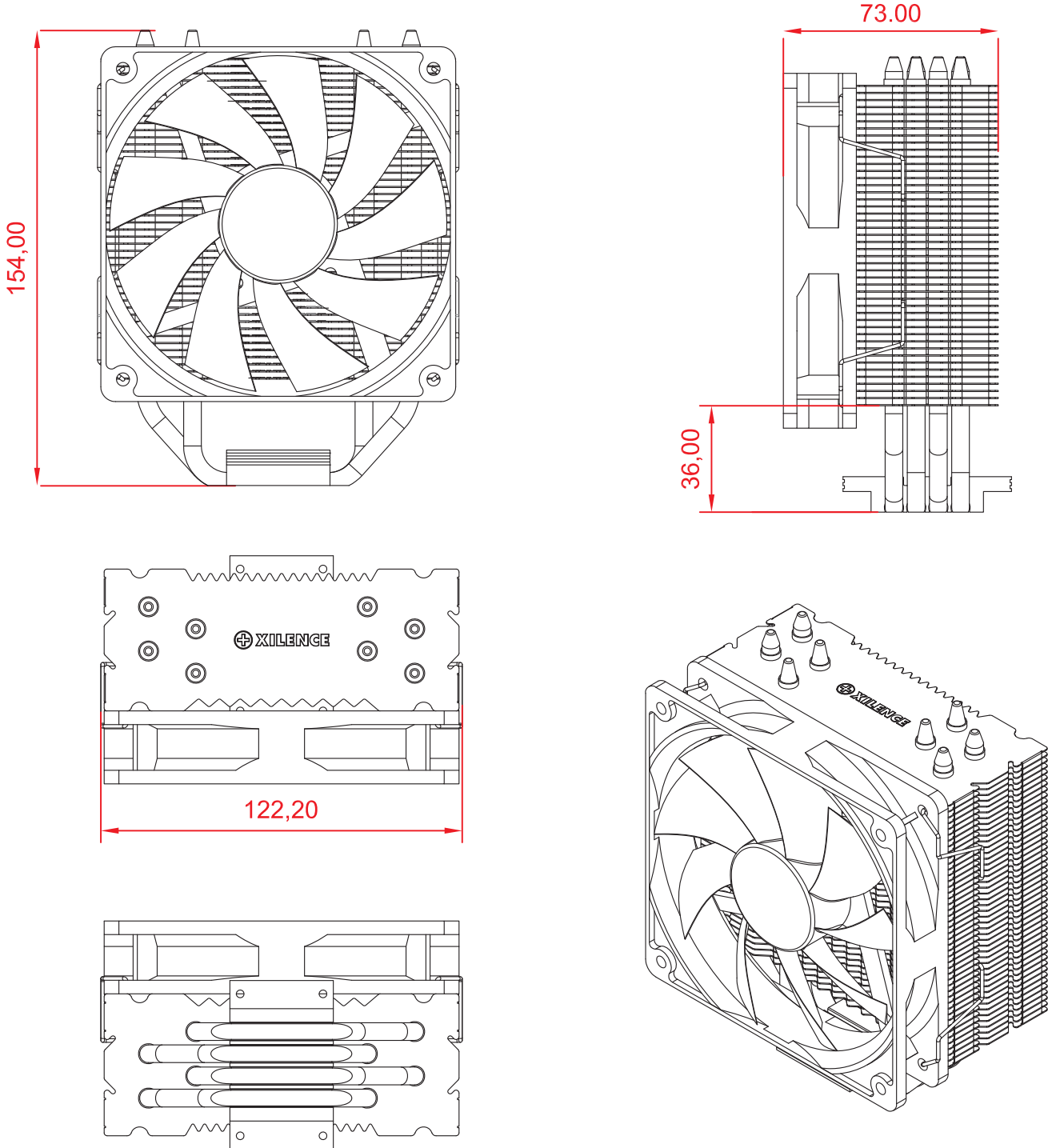


Performance A+ Series

Technical Drawing



Logistical Data

Manufacturer number M704RGB
Item number XC054
EAN Barcode 4044953501364