

GERMANY'S NO. 1*
PSU MANUFACTURER

be quiet!



PURE POWER 10

EXCEPTIONAL QUIET, SUPERIOR RELIABILITY

700W CM • 600W CM • 500W CM • 400W CM

IDEAL APPLICATIONS

Silent PC builds
Multi-GPU gaming
Office applications
Multimedia and home theater systems

HIGHLIGHTS

80PLUS® Silver efficiency
Multi-GPU support
Stable operation
Silence-optimized be quiet! fan

Exceptionally Quiet, Superior Reliability, Great Value

Whether you're assembling a very quiet system, upgrading an existing PC, or building a multi-GPU gaming system, your build will benefit from this PSU that simply has the best combination of features at a very popular price.

Highlights »

- Two 12V-rails and up to four PCI-express connectors for powerful multi-GPU systems
- 80PLUS® Silver certification and up to 91% power conversion efficiency
- Exceptionally quiet operation thanks to use of a silence-optimized 120mm be quiet! fan
- Stable operation thanks to DC-to-DC power conversion technology
- Modular cable management simplifies component installation and reduces annoying clutter
- Fixed 24-pin and P8 cables with high-quality single layer sleeve
- Easy-to-use flat drives and PCIe cables offer more space for installation
- Top component protection with full suite of safety features
- Meets latest Intel® C6/C7, ErP and Energy Star guidelines
- 3-year manufacturer's warranty
- Product conception, design and quality control in Germany

Pure Power 10 CM »

Pure Power 10 CM offers peerless dependability and best-in-class features at a very popular price.

+ CABLE MANAGEMENT



*According to the yearly PC Games Hardware's „Manufacturer of the year“ election (2006-2016) and market data from GfK (2007-2016)

PURE POWER 10

EXCEPTIONAL QUIET, SUPERIOR RELIABILITY

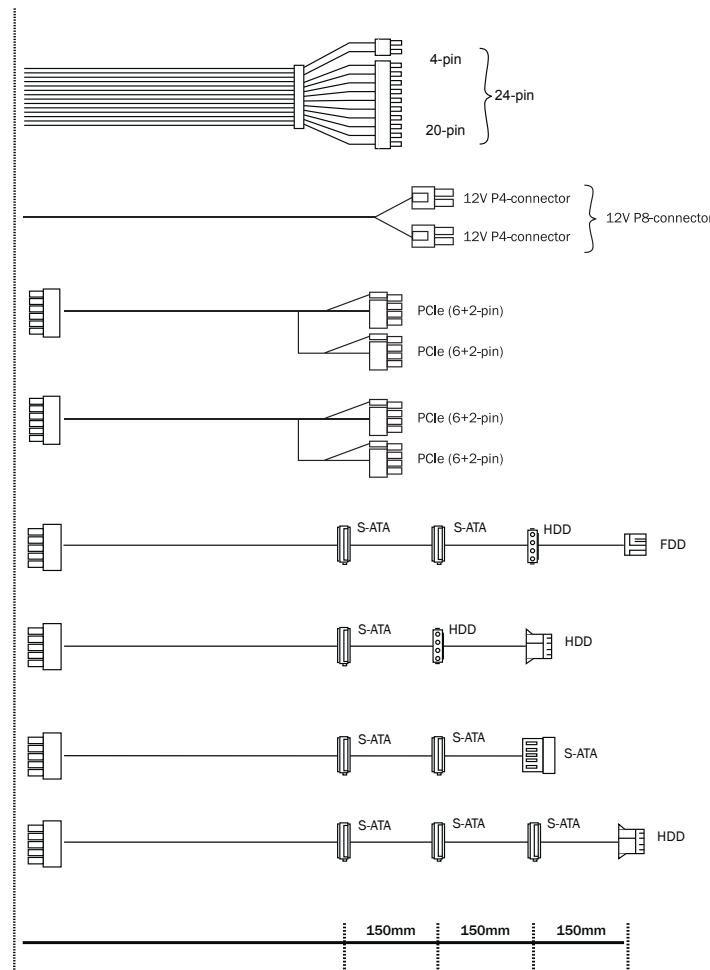
Technical Data »					
IN GENERAL	Model	700W	600W	500W	400W
	Article no.	BN279	BN278	BN277	BN276
	EAN code	4260052185384	4260052185377	4260052185360	4260052185353
	Voltage (Vac) / Frequency (Hz)	100-240 / 50-60	100-240 / 50-60	100-240 / 50-60	100-240 / 50-60
	ATX 12V 2.4 / EPS 12V 2.92	✓ / ✓	✓ / ✓	✓ / -	✓ / -
	Dimensions (L x W x H)	160 x 150 x 86	160 x 150 x 86	160 x 150 x 86	160 x 150 x 86
	High-quality fan (mm)	120	120	120	120
	Noise level (dB(A)) at 20 / 50 / 100% load	11.6 / 12.8 / 27.1	11.2 / 12.5 / 20.3	11 / 11.8 / 19.9	10.6 / 11.1 / 14.5
	Efficiency (%) at 230V	up to 91	up to 91	up to 91	up to 91
	12V-rails	2	2	2	2
	Active PFC	✓	✓	✓	✓
	OCP, OVP, UVP, SCP, OPP, OTP	✓	✓	✓	✓
	Certifications	80PLUS® Silver	80PLUS® Silver	80PLUS® Silver	80PLUS® Silver
	Energy Star 6.0 compatible	✓	✓	✓	✓
	ErP 2014 ready / Power in stand-by (W)	✓ / 0.11	✓ / 0.09	✓ / 0.10	✓ / 0.10
Lifetime of PSU at 25°C (h)	100,000	100,000	100,000	100,000	
CABLES	No. of cables	7	7	7	5
	Maximum cable length (cm)	95	95	95	90
	Length of ATX-connection cable (cm)	55	55	55	45
	Modular cable management	✓	✓	✓	✓
	Sleeved cables	✓	✓	✓	✓
	Flat cables	PCIe, drives	PCIe, drives	PCIe, drives	PCIe, drives
CONNECTORS	ATX-mainboard (20+4-pin)	✓	✓	✓	✓
	PCI-express (6+2-pin)	4	4	2	2
	P8-/P4-connector	1x P4+4	1x P4+4	1x P4+4	1x P4+4
	S-ATA (5-pin)	6	6	6	5
	P-ATA (4-pin)	3	3	3	2
	Easy-plug HDD connectors	✓	✓	✓	✓
	Floppy	1	1	1	1

Output Data »															
PURE POWER 10 700W CM	AC Input	100-240Vac		50-60Hz		10-5A		PURE POWER 10 500W CM	AC Input	100-240Vac		50-60Hz		8-5A	
	DC Output	3.3V	5V	12V1	12V2	-12V	5VSB		DC Output	3.3V	5V	12V1	12V2	-12V	5VSB
	Max. Current	25A	20A	36A	30A	0.3A	3A		Max. Current	24A	15A	28A	20A	0.3A	3A
				56A								40A			
	Max. Combined Power	150W		672W		3.6W 15W			Max. Combined Power	120W		480W		3.6W 15W	
	700W							500W							
PURE POWER 10 600W CM	AC Input	100-240Vac		50-60Hz		8-5A		PURE POWER 10 400W CM	AC Input	100-240Vac		50-60Hz		6-4A	
	DC Output	3.3V	5V	12V1	12V2	-12V	5VSB		DC Output	3.3V	5V	12V1	12V2	-12V	5VSB
	Max. Current	25A	18A	32A	28A	0.3A	3A		Max. Current	24A	15A	24A	20A	0.3A	3A
				48A								32A			
	Max. Combined Power	140W		576W		3.6W 15W			Max. Combined Power	120W		384W		3.6W 15W	
	600W							400W							

PURE POWER 10

EXCEPTIONAL QUIET, SUPERIOR RELIABILITY

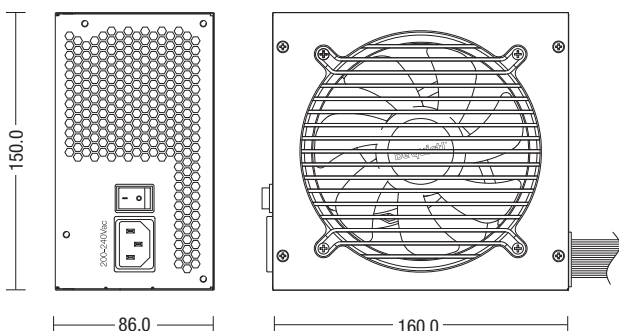
Cables »



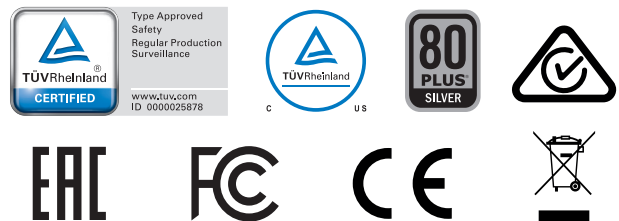
700W CM	600W CM	500W CM	400W CM
550mm	550mm	550mm	450mm
600mm	600mm	600mm	600mm
500mm 2x	500mm 2x	500mm	500mm
500mm 2x	500mm 2x	500mm	-
500mm*	500mm*	500mm*	450mm*
500mm*	500mm*	500mm*	-
500mm*	500mm*	500mm*	-
-	-	-	450mm*

*cable length to first connector

Dimensions (mm) »



Certifications »



Contact »

Service Hotline: +49 40 7367 686 44 (Mo-Fr. 9:00-17:30)
Mail: service@bequiet.com