

## Roof Cooling Units for 483 mm (19") Network Cabinets of the Unique Series & Network- and Server Cabinets of the Dynamic Basic Series



✓ Easy mounting and activation

✓ incl. adjustable thermostat

✓ with two or four fans

✓ Available in color grey and black

### Abstract

Roof Cooling Units for 483 mm (19") Network Cabinets of the Unique Series & Network- and Server Cabinets of the Dynamic Basic Series as well as unmounted cabinets (-EC), 2 fans or 4 fans

### Features

- Housing made out of sturdy steel sheet
- Fans with grill covers
- Noise level: 47 dB/m
- incl. thermostat, adjustable from 0 °C up to +35 °C
- On/off switch
- Air flow: 4.6 resp. 9.2 m<sup>3</sup>/min.
- 2 or 4 already mounted fans
- 1.8 m cable with Schuko plug

### Product Overview

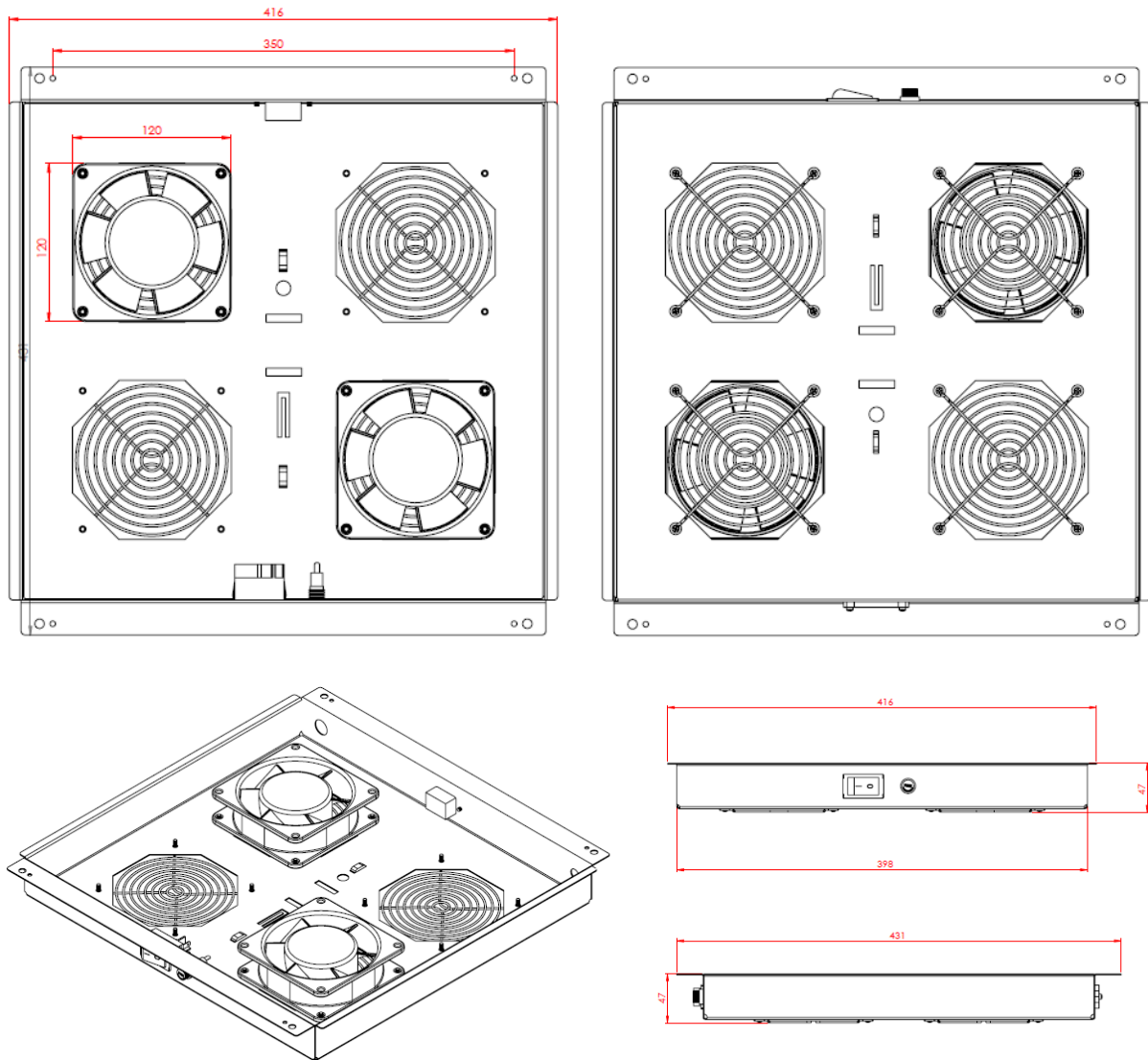
The Roof Ventilation Units are suitable for all network cabinets of the Unique Series as well as for all network- and server cabinets of the Dynamic Basic Series. Furthermore they also fit into all unmounted network- and server cabinets (-EC). The installation in the roof module of the cabinet can be done quick and easy. A switch as well as an adjustable thermostat provides best options for customizations. The model is available in color grey (RAL 7035) and black (RAL 9005), equipped with either two or four fans.

### Product Number Information

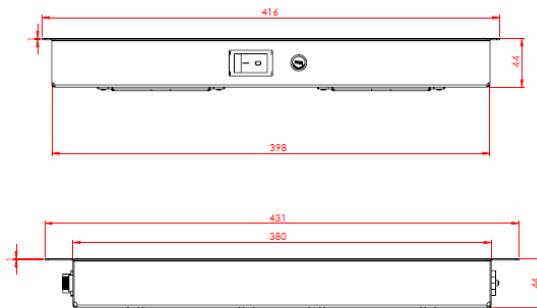
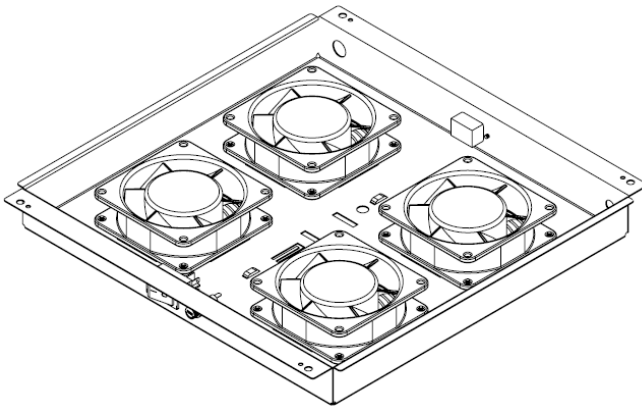
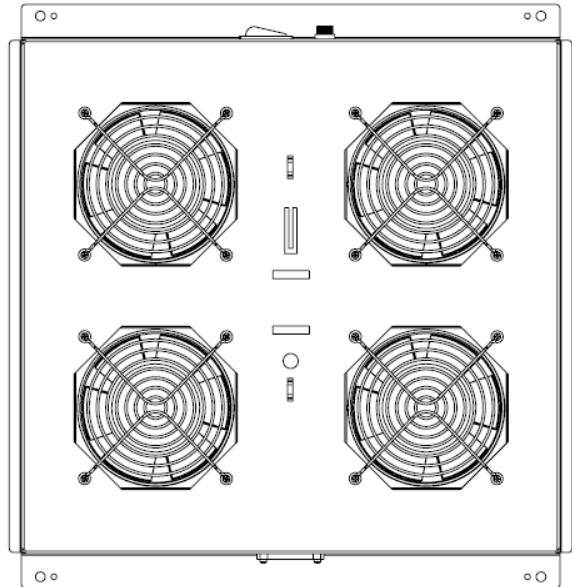
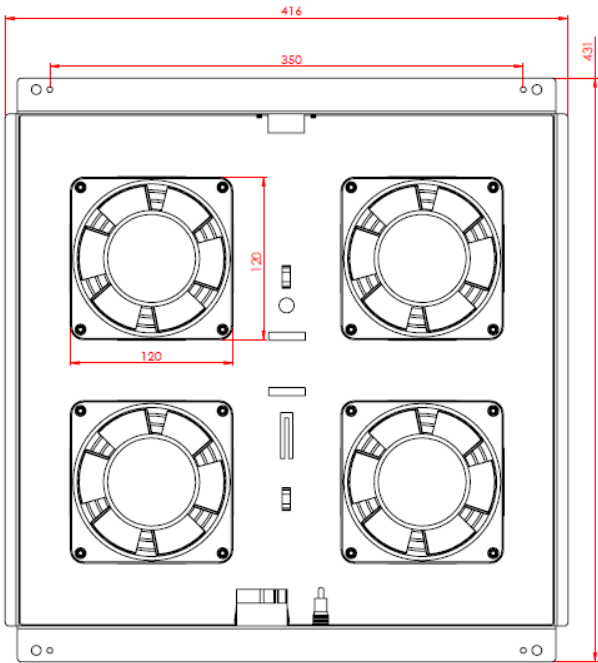
Item code	Color	Product dimensions HxWxD in mm	Quantity of equipped fans
DN-19 FAN-2-N	Grey (RAL 7035)	45x430x415 mm	2
DN-19 FAN-2-B-N	Black (RAL 9005)		2
DN-19 FAN-4-N	Grey (RAL 7035)		4
DN-19 FAN-4-B-N	Black (RAL 9005)		4

## Technical Drawings

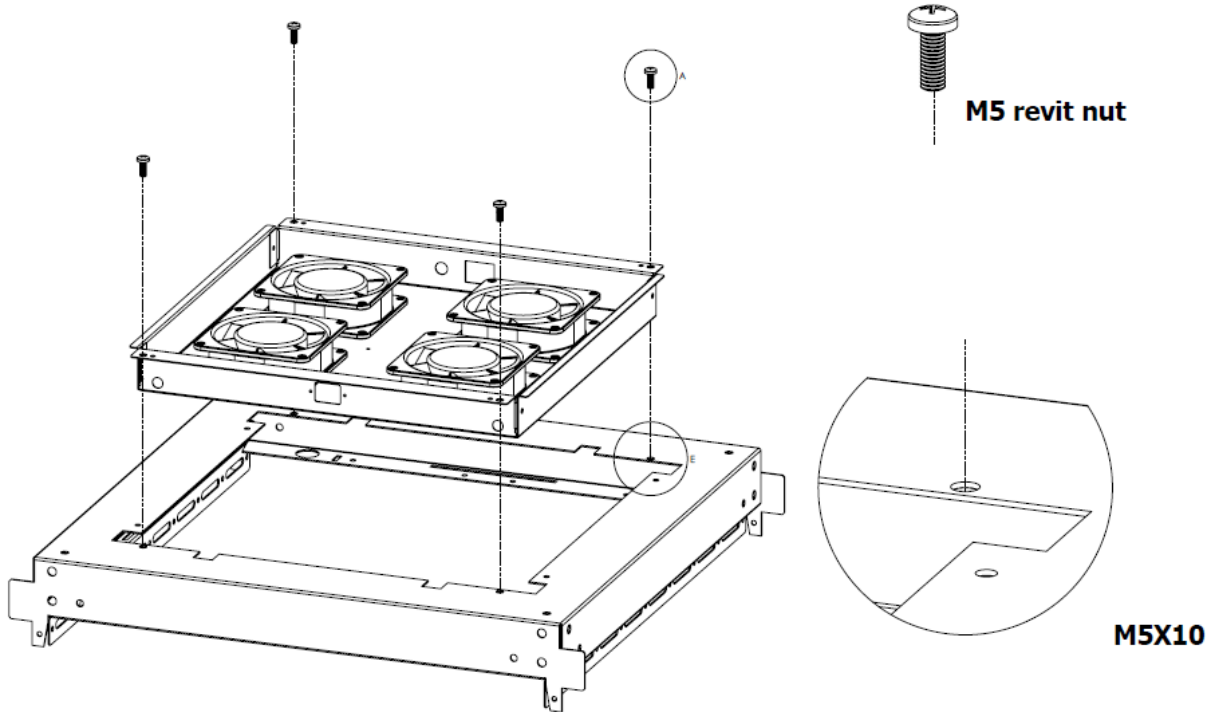
### DN-19 FAN-2-N



## DN-19 FAN-4-N



**Mounting Instruction for Network Cabinets of the Unique Series**



**Mounting Instruction for Network- & Server Cabinets of the Dynamic Basic Series**

