



# 58 cm (23") Multitouch Monitor FlexScan® T2381W



23"  
Full HD

IPS  
Non-Glare

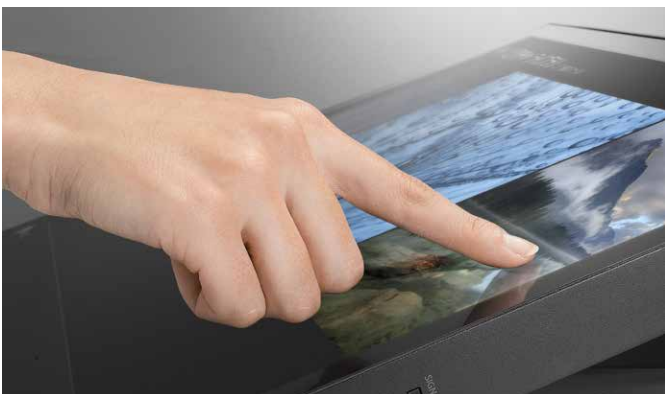
5-Point  
Multitouch

3 Inputs  
+  
USB

## 23" Multitouch IPS monitor optimized for comfort and durability

### Fully Flat Design

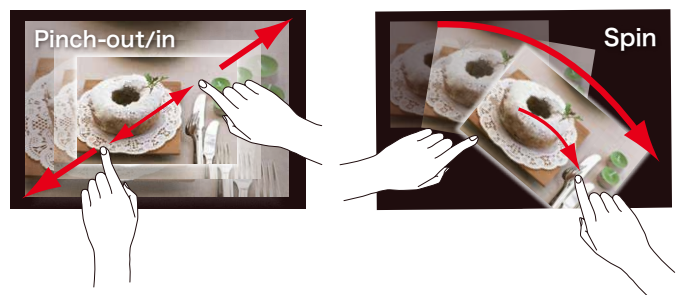
The fully flat design enables seamless touch operation that reaches to the edges of the 23-inch screen.



### Multitouch Interface

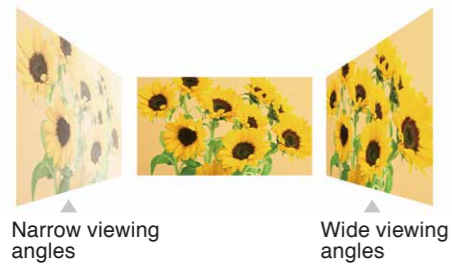
Multitouch lets you tap, drag, pinch, spin etc. at the light touch of a finger, making touch interaction both enjoyable and easy. The Windows 8 charm bar can also be easily accessed with a swipe motion.

*Multitouch is only usable with Windows 8 or 7 and single touch is available with Windows XP. Multitouch requires supported software.*



### Wide Viewing Angles

The monitor comes with an IPS panel that has almost no color shift or change in contrast when viewed from different positions. The wide 178° horizontal and vertical viewing angles ensure that color remains vivid and consistent all the way to the corners of the screen.



### Full HD Resolution

The monitor features full HD 1080p resolution for incredible image performance that fills the entire screen. Because the monitor can display large amounts of information at once, it reduces the time needed to display new windows or scroll.

■ Displaying HD contents



19-inch monitor (1280 x 1024)  
Black bars are visible and the screen is blurry



T2381W (1920 x 1080)  
Displays pixel-by-pixel full HD content that fills the screen

### Energy-Efficient LED Backlight

Compared to conventional CCFL backlights, LED backlights last longer and consume less power. They are mercury-free to have minimal impact on the environment when they are eventually disposed of.

### Non-Glare Panel

A non-glare screen reduces eye fatigue by dissipating reflective light that would otherwise make the screen difficult to view from different positions.



### Flicker-Free Images

Due to the way brightness is controlled on LED backlights, a small number of people perceive flicker on their screen which causes eye fatigue. The T2381W relieves eye fatigue by regulating brightness to make flicker unperceivable.



### Paper Mode Reduces Eye Fatigue

The Paper Mode preset simulates the look of paper and helps prevent eyestrain when reading documents by adjusting the brightness of the monitor and reducing blue light.



### Clear Video Display

The monitor is equipped with an overdrive circuit that reduces gray-to-gray response time to just 6 ms when watching video. This greatly reduces ghosting and blurring that is caused by high motion scenes ensuring moving images look clean and sharp.



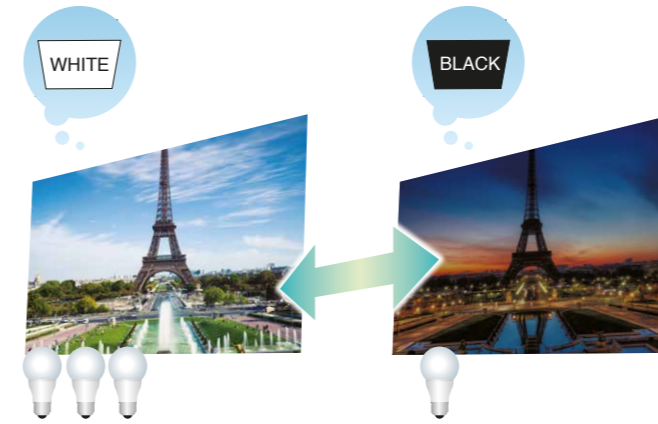
Overdrive off



Overdrive on

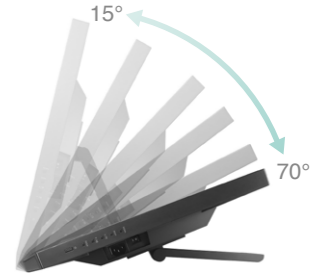
### Save Power

EcoView Optimizer 2 saves energy by analyzing the screen in real time and reduces backlight brightness while increasing gain.



### Flexible Stand for Ease of Use

Smooth tilt capability makes placement and positioning simple and comfortable for office work and multitouch applications. With its flexible stand, the bottom of the bezel rests on the desktop like a notebook PC and tilts back freely from 15° to 70°.



### Additional Features

- Aspect ratio presets (Full / Enlarged / Normal).
- 10 bit-LUT for smooth color gradation.
- Black or gray cabinet option.
- Key-lock button for locking the OSD menu.
- Compatible with Screen Manager Pro for LCD (DDC/CI) monitor control utility software.
- Compatible with EIZO ScreenSlicer screen partitioning software.
- Equipped with anti-theft security lock.

### Multiple Input Port

Simple access on the side of the monitor. Enjoy audio with headphones without worrying about your surroundings.

Equipped with 1 W + 1 W stereo speakers on the back of the monitor. Supports voice input.

Dedicated analog video signal input. Identifies input signals and automatically adjusts to the appropriate display settings. Adjusts to prevent eye-straining flicker and ghosting.

Supports HDCP copy protection technology. Connect to a PC with HDCP support to display digital broadcasting and copyright protected content such as Blu-ray.

Transmits both digital video and audio over a single cable. Easy connection and removal with a DisplayPort-equipped notebook.

Connects up to 2 USB devices.

Used for touch panel signal (USB serial broadcast).

Headphone Jack

Audio Input

D-Sub Mini 15 Pin Connector

DVI-D 24 Pin Connector

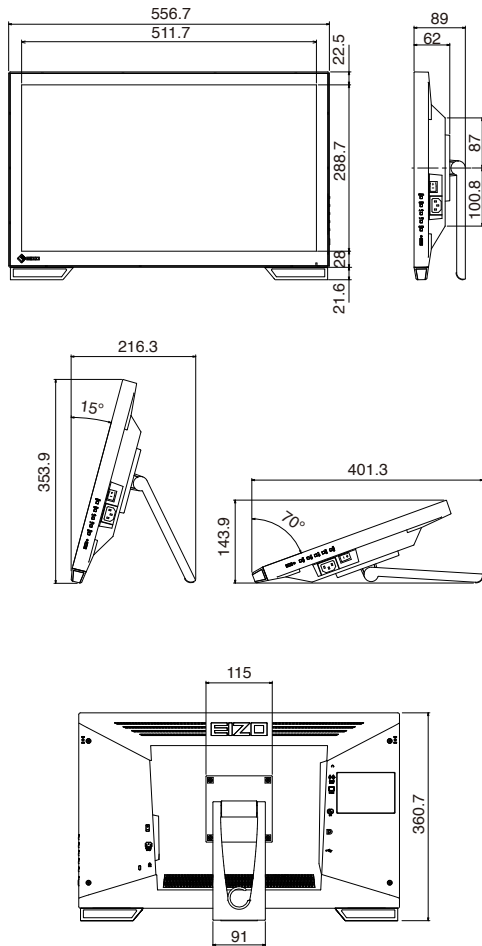
DisplayPort Connector

USB Hub (Down x 2)

USB Port (Up x 1)



## Dimensions (mm)



## Optional Touch Pen

The TP5 pen is equipped with a rubber tip for great response and smooth writing. It also includes a storage case.



## Durable and Reliable

The touch screen has a non-scratch surface made of reinforced glass with a hardness of 5H (Mohs scale); making it durable enough to withstand long-term use in schools and public access areas.

## 3-Year Warranty

A manufacturer's three-year warranty backed by our strict quality control system covers all components to ensure a long service life.

## SPECIFICATIONS

<b>Cabinet Colors</b>	Gray, Black
<b>Panel Type</b>	IPS
<b>Backlight</b>	LED
<b>Panel Size</b>	23" / 58 cm (584 mm diagonal)
<b>Native Resolution</b>	1920 x 1080 (16 : 9 aspect ratio)
<b>Display Size (H x V)</b>	509.1 x 286.4 mm
<b>Pixel Pitch</b>	0.265 x 0.265 mm
<b>Display Colors</b>	16.77 million from a palette of 1.06 billion
<b>Viewing Angles (H / V, typical)</b>	178°, 178°
<b>Brightness (typical)</b>	260 cd/m <sup>2</sup>
<b>Contrast Ratio (typical)</b>	1000:1
<b>Response Time (typical)</b>	6 ms (Gray-to-gray)
<b>Touch Panel Type</b>	Project Capacitive
<b>Communication Protocol</b>	USB
<b>Touch Life</b>	50 million touches (minimum)
<b>Surface Hardness</b>	5H
<b>Touch Panel Compatible OS</b>	Multi-touch: Windows 8 (32-bit, 64-bit) / Windows 7 (32-bit, 64-bit), Single-touch: Windows XP (32-bit)
<b>Video Input Terminals</b>	D-Sub mini 15 pin x 1, DVI-D 24 pin x 1 (with HDCP), DisplayPort x 1 (with HDCP)
<b>Digital Scanning Frequency (H / V)</b>	31 - 68 kHz, 59 - 61 Hz (VGA Text: 69 - 71 Hz)
<b>Analog Scanning Frequency (H / V)</b>	31 - 81 kHz, 55 - 76 Hz
<b>Sync Formats</b>	Separate
<b>USB Function</b>	1 port for touch panel control 2-port USB hub
<b>USB Standard</b>	USB 2.0
<b>Speakers</b>	1.0 W + 1.0 W
<b>Sound Input Terminals</b>	3.5 mm stereo jack
<b>Sound Output Terminals</b>	3.5 mm headphone jack
<b>Sound Adjustment</b>	Volume, Power Save, Source (DisplayPort)
<b>Power Requirements</b>	AC 100 - 120 V / 200 - 240 V, 50 / 60 Hz
<b>Maximum Power Consumption</b>	56 W
<b>Typical Power Consumption</b>	18 W
<b>Power Save Mode</b>	Less than 0.5 W
<b>Power Management</b>	Power Save (VESA DPM, DisplayPort Rev. 1.1a, and DVI DMPM), Eco Timer
<b>OSD Preset Modes</b>	FineContrast (Paper, Movie, sRGB, User1, User2)
<b>OSD Languages</b>	English, French, German, Italian, Japanese, Simplified and Traditional Chinese, Spanish, Swedish
<b>Others</b>	Screen Adjustment (Clock, Phase, Position, Range (Auto), Screen Size (full screen, enlarge, normal), Smoothing (5 stages), Border Intensity, Color Adjustment (Brightness, Contrast, Gamma, Temperature, Saturation, Hue, Gain, Overdrive, Reset), Signal Switching, Product Information (name, serial number, resolution, operating time, etc.), OSD Menu Settings, Adjustment Lock, DDC/CI Lock, Power Indicator, Reset
<b>Dimensions (Landscape, W x H x D)</b>	556.7 x 143.9 - 360.7 x 89 - 401.3 mm
<b>Dimensions (Without Stand, W x H x D)</b>	556.7 x 339.2 x 54 mm
<b>Net Weight</b>	6.6 kg
<b>Net Weight (Without Stand)</b>	6.0 kg
<b>Tilt</b>	15° - 70°
<b>Hole Spacing (VESA Standard)</b>	100 x 100 mm
<b>Temperature</b>	5 - 35 °C
<b>Humidity (R.H., non condensing)</b>	20 - 80 %
<b>Certifications &amp; Standards</b>	c-Tick, CE, CB, cTUVus, FCC-B, Canadian ICES-003-B, TUV/S, VCCI-B, RoHS, WEEE, CCC, GOST-R
<b>Supplied Accessories</b>	AC power cord, signal cables (DVI-D - DVI-D, D-Sub - D-Sub), USB cable, audio cable, cleaning cloth, EIZO LCD Utility Disk (PDF user's manual, touch panel driver for Windows XP), Mask Sheet, setup guide, warranty card
<b>Warranty</b>	Three Years

## EIZO Corporation

153 Shimokashiwano, Hakusan, Ishikawa 924-8566 Japan

Phone +81-76-277-6792 Fax +81-76-277-6793

www.eizo.com

All product names are trademarks or registered trademarks of their respective companies. FlexScan and EIZO are registered trademarks of EIZO Corporation. Specifications are subject to change without notice.

Copyright © 2013 EIZO Corporation. All rights reserved.