

## Embedded Solutions



microSD Cards

# microSDHC Class 10

The ideal choice for small form factor devices with high performance demands, Transcend's High Capacity microSD cards are specifically designed for use in digital cameras, DV recorders, mobile phones, and other small devices. To ensure reliability and endurance, these microSD cards are manufactured using brand-name MLC NAND Flash chips and undergo extensive reliability testing at all stages of production.

## Hardware Features

- Compliant with RoHS 2.0 standards
- MLC NAND flash
- Compliant with SD specification 3.01
- Compliant with Speed Class 10
- Electrostatic protection (ESD IEC 61000-4-2)

## Firmware Features

- Supports Content Protection for Recorded Media (CPRM)
- Power-saving partial and slumber modes
- Power-saving auto-standby and power-off modes
- Built-in ECC (Error Correction Code) functionality
- Wear-Leveling

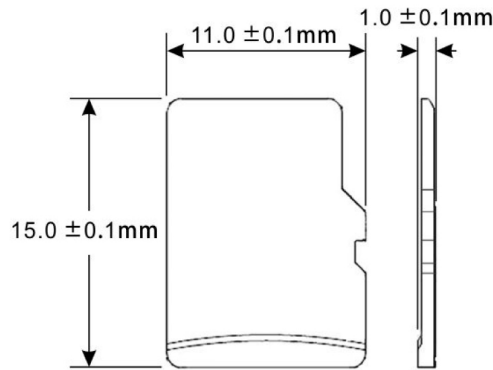
## Ordering Information

4GB	TS4GUSDC10M
8GB	TS8GUSDC10M
16GB	TS16GUSDC10M
32GB	TS32GUSDC10M

## Specifications

<b>Appearance</b>	Dimensions	11 mm x 15 mm x 1 mm (0.43" x 0.59" x 0.04")
	Form Factor	microSD flash card
<b>Storage</b>	Flash Type	MLC NAND flash
	Capacity	4 GB / 8 GB / 16 GB / 32 GB
<b>Operating Environment</b>	Operating Voltage	2.7V ~ 3.6V
	Drop Test	1.5m free fall
	Operating Temperature	Standard -25°C (-13°F) ~ 85°C (185°F)
	Storage Temperature	-40°C (-40°F) ~ 85°C (185°F)
	Humidity	0% ~ 95%
	Shock	Acceleration: 490 m/s <sup>2</sup> (standard holding time: 11 ms, semi-sine wave, velocity change: 3.44 m/s)
	Vibration (Operating)	20 G (peak-to-peak), 20 Hz ~ 2,000 Hz (frequency)
<b>Power</b>	Power Consumption (Max.)	0.72 watt(s)
<b>Performance</b>	Read Speed (Max.)	up to 24 MB/s
	Write Speed (Max.)	up to 22 MB/s
	Terabytes Written (Max.)	60 TBW
<b>Warranty</b>	Certificate	CE / FCC
	Warranty	Three-year Limited Warranty

## Mechanical Dimensions



Product specifications are subject to change without notice. Pictures shown may differ from actual products. Total accessible capacity varies depending on operating environment. Due to the complexity and variety of industrial applications, Transcend cannot guarantee 100% compatibility with all platforms and under all scenarios. For special applications and environments, it is strongly suggested that you contact Transcend beforehand for clarification.