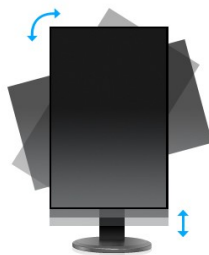




The ProLite B2280WSD is a high specification 22" 1680x1050 LED-backlit monitor with Height Adjustability and Screen Rotation allowing you to set the perfect position of the screen ensuring ergonomic posture and optimal viewing comfort. 5msec black-to-black response time and 12 000 000 : 1 Advanced Contrast Ratio make the B2280WSD ideal for Video Conferencing, DTP and CAD as well as the usual text based applications. Analogue and DVI inputs ensure compatibility with the latest systems and associated graphics cards. The monitor is TCO and Energy Star Certified.

Available in black and white.



HAS + PIVOT

With a height adjustable stand you will create an ergonomic work posture and position that meets all health and safety requirements. This will not only prevent any health issues but will also increase your productivity. The pivot function allows the screen to rotate from landscape to portrait orientation. This functionality can be useful if the application requires more height than width.



SPEAKERS

This LED monitor is equipped with two high quality stereo speakers.

1. DISPLAY CHARACTERISTICS

DIAGONAL

22"; 56cm

ASPECT RATIO	16 : 10
PANEL	TN LED, matte finish
NATIVE RESOLUTION	1680 x 1050 (1.8 megapixel)
BRIGHTNESS	250 cd/m ² typical
CONTRAST	1000 : 1 typical
CONTRAST	12 000 000 : 1 ACR
RESPONSE TIME	5 ms
VIEWING ZONE	horizontal/vertical: 178° / 170° ; right/left: 89° / 89° ; up/down: 85° / 85°
DISPLAY COLOUR	16.7 million
DISPLAY AREA H X W	296.1 x 473.7 mm; 11.7" x 18.6"
PIXEL PITCH H X V	0.282 x 0.282 mm
HORIZONTAL SYNC	24 - 80 KHz
VERTICAL SYNC	55 - 75 Hz
SYNCHRONIZATION	Separate Sync

2. INTERFACES & CONNECTORS

ANALOG INPUT CONNECTOR	VGA
DIGITAL INPUT CONNECTOR	DVI-D
HDCP	yes;

3. FEATURES

APPLE - MAC	All iiyama monitors are compatible with Apple-Macintosh computers.
CONTROLS	On-Screen-Display in 9 languages (EN, DE, FR, ES, IT, PT, Chinese, RU, JP) and 5 front controls (Power, Menu, +/- Volume, -/ ECO, Auto)
USER CONTROLS	luminance (contrast, brightness, ECO, i-Style Colour, Adv. Contrast), image setup (clock, phase, H. position, V. position, aspect), colour temperature (gamma, colour temperature), OSD setup (H. position, V. position, timeout, language), others (reset, signal select, information), volume, auto adjust
SPEAKERS	2 x 2 W (Stereo)
ANTI-THEFT-DEVICE	Kensington-lock™ prepared
REGULATIONS	CE, TUV-GS, TCO 6, CU
HEIGHT ADJUSTABLE STAND	Yes
HEIGHT ADJUSTMENT	130 mm
ROTATION (PIVOT FUNCTION)	90°
SWIVEL STAND	320°; 160° left; 160° right
TILT ANGLE	22° up; 5° down
VESA MOUNTING	100 x 100 mm
COLOUR	White
VISTA PREMIUM	Yes

4. ACCESSORIES

INCLUDED ACCESSORIES

power cable, DVI-D cable, audio cable, stand-base, screw, cable holder, quick start guide, safety guide

5. POWER MANAGEMENT

POWER SUPPLY	AC 100 - 240 V, 50 / 60 Hz
POWER SUPPLY UNIT	internal
POWER USAGE	21 W typical; max. 0.5 W in Power management mode
POWER MANAGEMENT	VESA DPMS, ENERGY STAR®

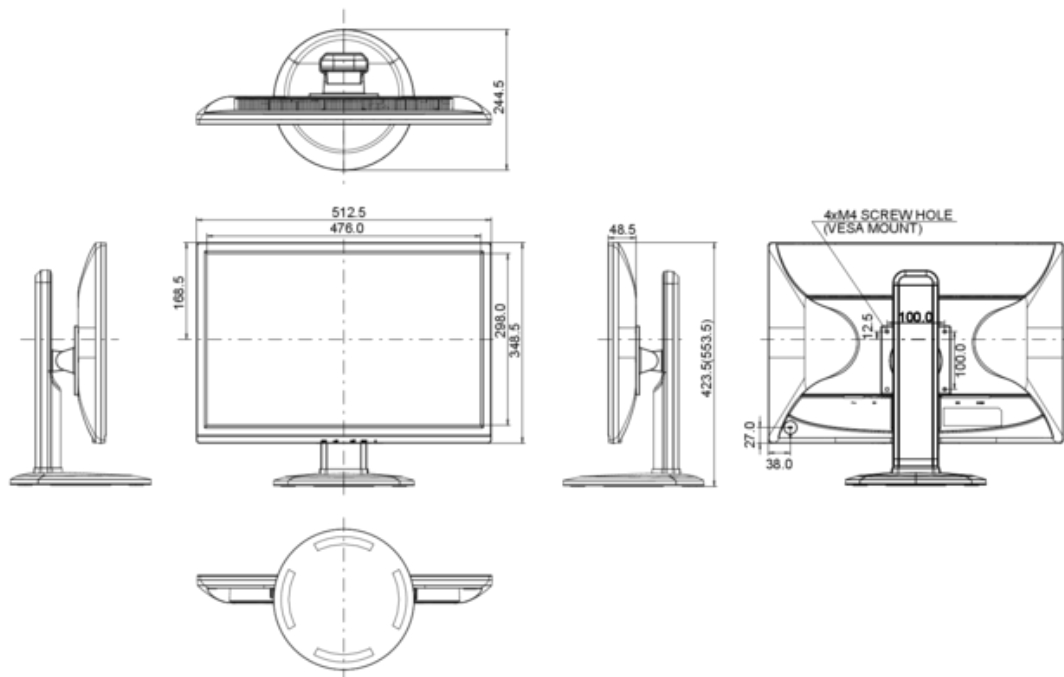
6. EPEAT SILVER

EPEAT

EPEAT is a comprehensive environmental rating that helps identify greener computers and other electronic equipment. The Silver certification means the monitor meets all required criteria plus at least 50% of the optional requirements. EPEAT Silver is valid in countries where iiyama registers the product. Please visit www.epeat.net for the registration status in your country.

7. DIMENSIONS & WEIGHT

DIMENSIONS W X H X D	512.5 x 423.5 (553.5) x 244.5 mm
WEIGHT	5.5 kg



All trademarks and registered trademarks acknowledged. E & O E. Specification subject to change without notice. All LCD's comply with ISO-9241-307:2008 in connection with pixel defects.