

LogiLink®

Alumium Triple Monitor Desk Mount with Gas Spring for 13"-32" Flat & Curved Monitor

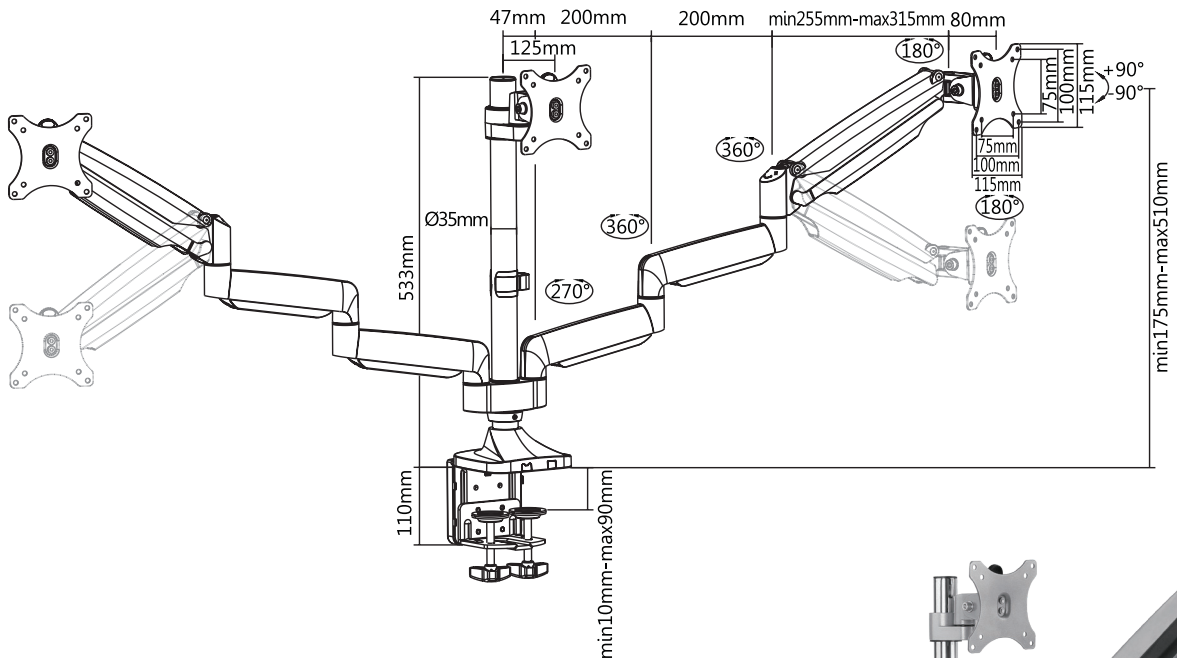
Art. No.: BP0052



Easy installation and compatible with VESA standard max. 100x100mm.

Features:

- » Super strong mounting brackets: Solid-reinforced Cold Steel, durable product with maximum capacity of 7kg for each arm
- » Maximum arm extension length is 715mm, Tilt capacity: 90°~90°, Swivel capacity: 90°~90° and Rotation capacity: 90°~90°
- » Compatible with VESA 75x75mm, 100x100mm
- » Clamp and grommet mount included
- » Easy to install
- » Fit for 13-32 inch LCD Monitor



Grommet or desk-clamp mounting available



* The specifications and pictures are subject to change without notice.
* All trade names referenced are the registered trademark of their respective owners.



BP0052



4 052792 048001

Made in China

Best Connectivity

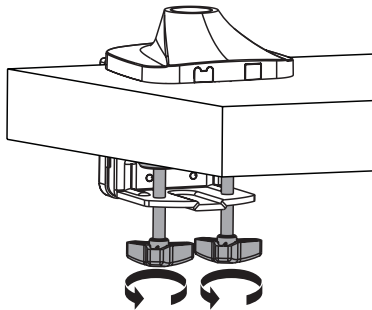
LogiLink®

Alumium Triple Monitor Desk Mount with Gas Spring for 13"-32" Flat & Curved Monitor

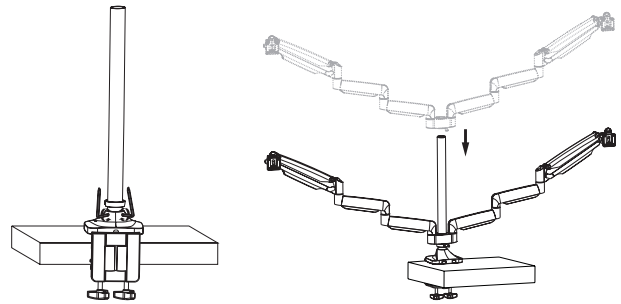
Art. No.: BP0052



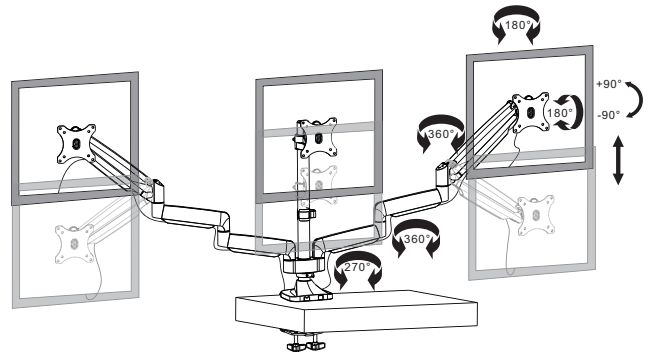
1



2



3



Specification:

Screen Size	13"-32"
Rated Load	1-7kg/2.2-15.4lbs for each arm
VESA	75x75, 100x100
Arm Extend	715mm
Tilt	90° ~ -90°
Swivel	90° ~ -90°
Rotate	90° ~ -90°
Desktop Thickness	10-90mm
Pole Height	533mm
Product Size	1530 x 190 x 700mm

Fits
13"-32"
Monitor

VESA
Max.
100x100mm

Arm
Extend
715mm

Each
Arm
rated
1-7kg/
2.2-15.4lbs

Gas
Spring
Arm

ROTATION
-90° ~ 90°

TILT
90° ~ -90°

SWIVEL
-90° ~ 90°

Direction
Indicator

Curved
Monitor

Package Contents:

- » 1 x Alumium Triple Monitor Desk Mount
- » 1 x Screw Package
- » 1 x User Manual

Package Informations:

- » Packing Dimension: mm
- » Packing Weight: kg
- » Carton Dimension: mm
- » Carton Q'ty: pcs
- » Carton Weight: kg



ROHS
compliant

* The specifications and pictures are subject to change without notice.
* All trade names referenced are the registered namework of their respective owners.

