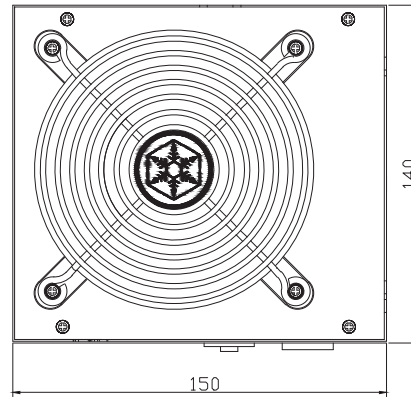
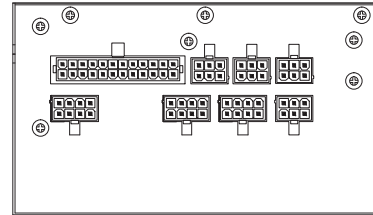
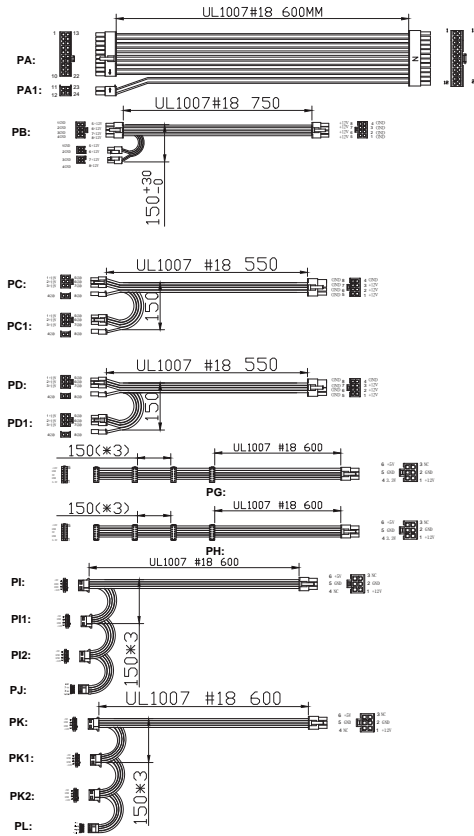


ST75F-PB

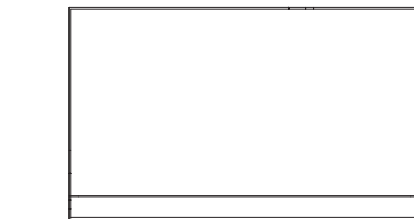
DIM.	
PA:	600+30MM -0MM
PA1:	600+30MM -0MM
PB:	750+30MM -0MM
PC:	550+30MM -0MM
PD:	550+30MM -0MM
PG:	600+30MM -0MM
PH:	600+30MM -0MM
PC1:	150+30MM -0MM
PD1:	150+30MM -0MM
PI:	600+30MM -0MM
PK:	600+30MM -0MM
PI1	150+30MM -0MM
PI2	
PK1	
PK2	



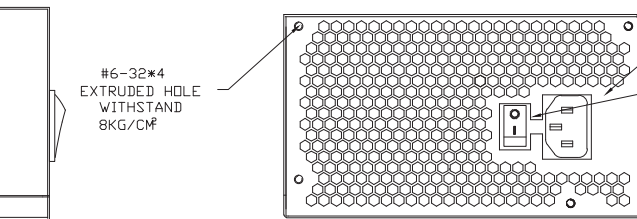
REF.ID.	PIN NO.	COLOR	V
PA PA1	1	ORANGE	+3.3V
	2	ORANGE	+3.3V
	3	BLACK	COM
	4	RED	+5V
	5	BLACK	COM
	6	RED	+5V
	7	BLACK	COM
	8	GRAY	PWR_OK
	9	PURPLE	+5VSB
	10	YELLOW	+12V
	11	YELLOW	+12V
	12	ORANGE	+3.3V
	13	BROWN	+3.3V (SENSE)
	14	BLUE	-12V
	15	BLACK	COM
	16	GREEN	PS_ON#
	17	BLACK	COM
	18	BLACK	COM
	19	BLACK	COM
	20		
	21	RED	+5V
	22	RED	+5V
	23	RED	+5V
	24	BLACK	COM

REF.ID.	PIN NO.	COLOR	V
PG PH	1	ORANGE	+3.3V
	2	BLACK	COM
	3	RED	+5V
	4	BLACK	COM
	5	YELLOW	+12V
PI-PI2 PK-PK2	1	YELLOW	+12V
	2	BLACK	COM
	3	BLACK	COM
	4	RED	+5V
PJ PL	1	RED	+5V
	2	BLACK	COM
	3	BLACK	COM
	4	YELLOW	+12V
PB	1	BLACK	COM
	2	BLACK	COM
	3	BLACK	COM
	4	BLACK	COM
	5	YELLOW	+12V
	6	YELLOW	+12V
	7	YELLOW	+12V
	8	YELLOW	+12V
PC PD PC1 PD1	1	YELLOW	+12V
	2	YELLOW	+12V
	3	YELLOW	+12V
	4	BLACK	COM
	5	BLACK	COM
	6	BLACK	COM
	7	BLACK	COM
	8	BLACK	COM

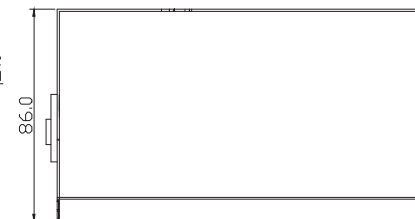
S-TOP



2-LEFT



1-FRONT



86.0

#6-32*4
EXTRUDED HOLE
WITHSTAND
8KG/CM²

INLET
ROCKER
SWITCH