



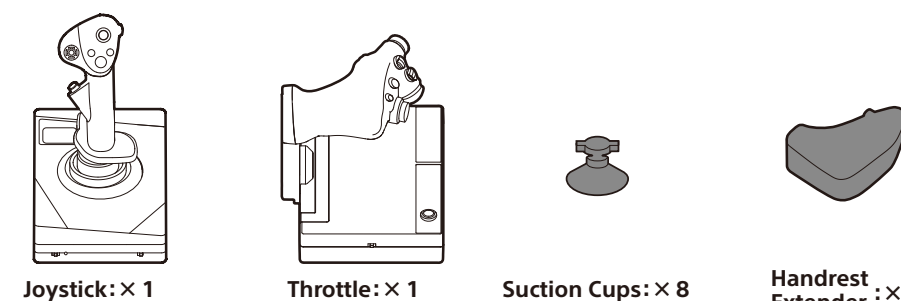
1913-56F4USNR

EN

# Instruction Manual

Thank you for purchasing this product.  
Before using this product please read the instructions carefully.  
After reading the instruction manual, please keep it for reference.

## Includes



## Compatible Systems

PlayStation®4 / PlayStation®3 / PC

System Requirements	Windows®10 / 8.1 / 8 / 7 USB port, Internet Connection
---------------------	---

\*Functions as PC controller through Input. This product does not support DirectPlay.

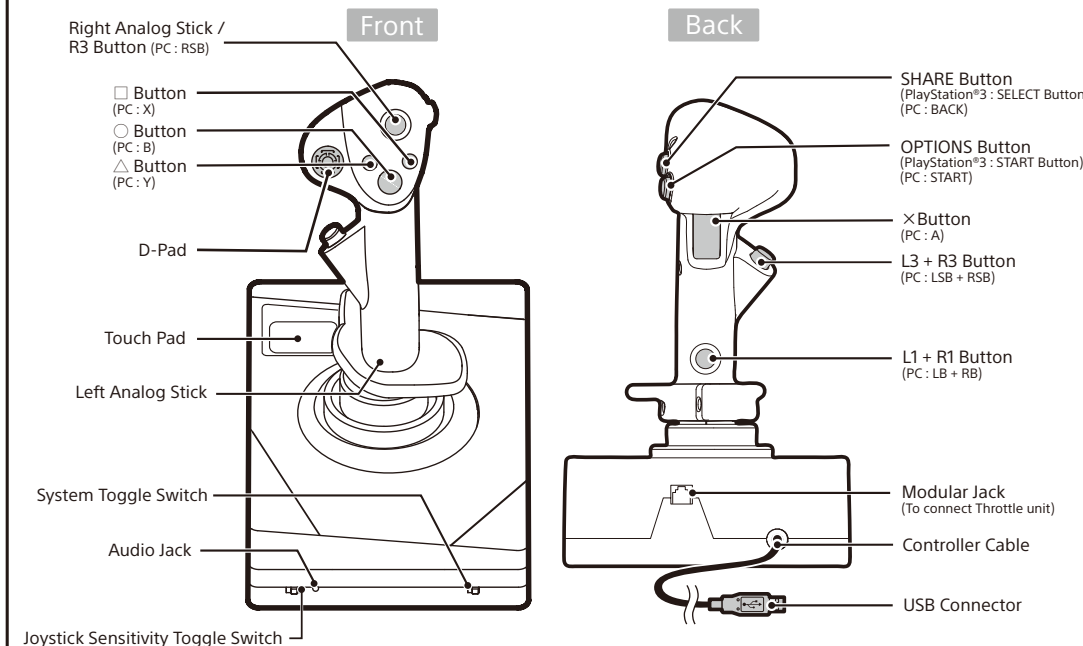
Please upgrade to the latest system software before use.  
(PlayStation®4 ... Ver. 4.73 or later recommended, PlayStation®3 ... Ver. 2.80 or later recommended)

This product does not feature light bar, motion sensors. In addition, this product does not support features other than those described. Please note this product may not support some PlayStation®4 and PlayStation®3 standard software. For details, please visit our website (<http://www.horiusa.com>).

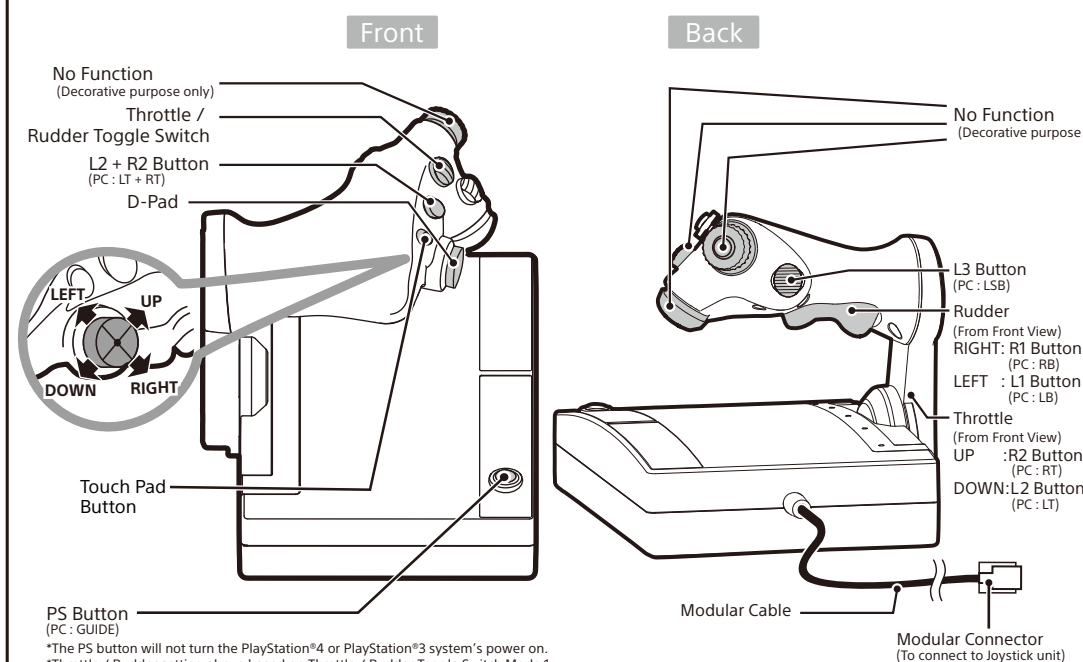
\*This product is not a wireless controller.

## Layout

### Joystick



### Throttle



\*The PS button will not turn the PlayStation®4 or PlayStation®3 system's power on.  
\*Throttle / Rudder setting above based on Throttle / Rudder Toggle Switch Mode 1.

## Platform Toggle Switch

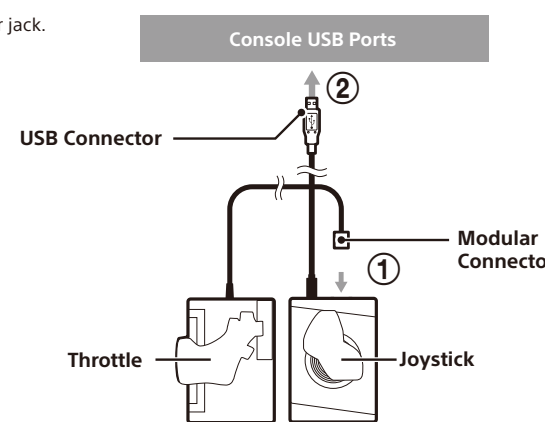
The Platform Toggle Switch toggles between PlayStation®4 and PlayStation®3 compatibility.  
\*Toggle the switch before connecting.



## How to Connect

- Insert the modular connector to the joystick modular jack.
- Insert the USB connector to the console USB port.

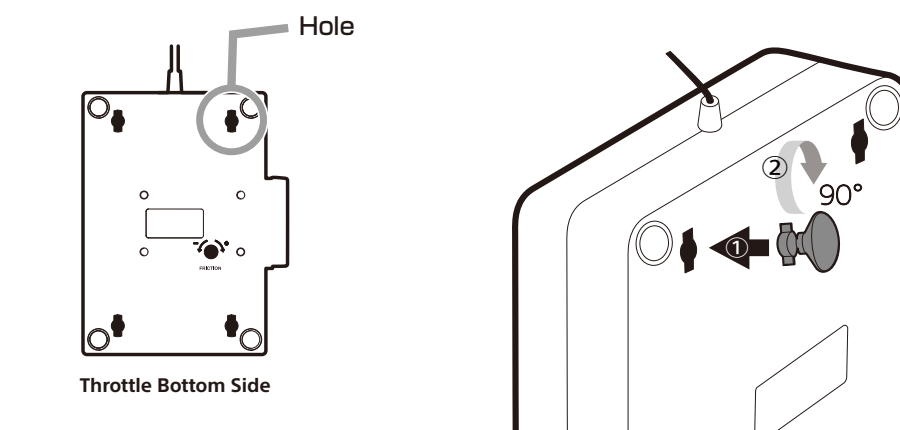
\*Plugging and unplugging during gameplay may cause a malfunction.  
\*Reconnect the connector if any malfunction occurs.



## Attaching the Suction Cups

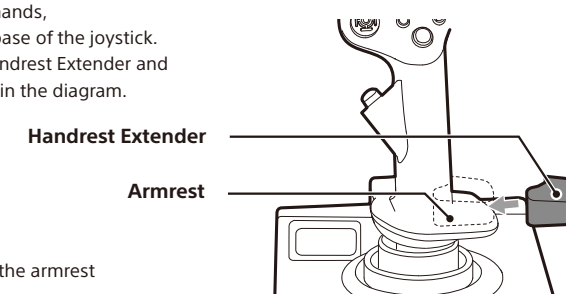
- Insert the suction cups into the holes located on the bottom side of joystick and throttle.
- Rotate the suction cups 90 degrees to lock in place.

\*Please attach to smooth, flat, stable surface.



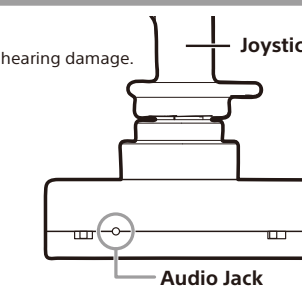
## Attaching the Handrest Extender

If you feel the joystick does not fit for your hands, try attaching the Handrest Extender to the base of the joystick. Peel off the sheet on the backside of the Handrest Extender and affix onto the base of the joystick as shown in the diagram.



## Audio Jack (PlayStation®4 only)

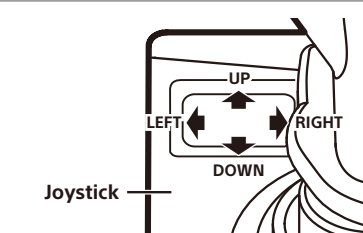
Connect the headset / microphone into the audio jack to use. Before placing a headset onto your ears, make sure to lower the volume to avoid hearing damage.



## Touch Pad (PlayStation®4 only)

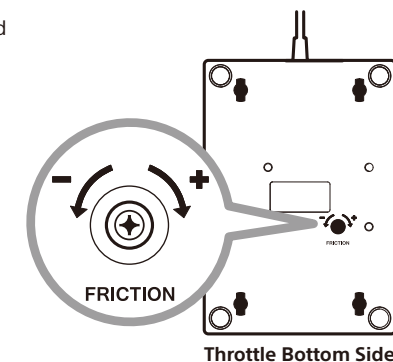
This product features touch pad functionality.

\*Touch pad is only for PlayStation®4.  
Not compatible with PlayStation®3 / Windows PC



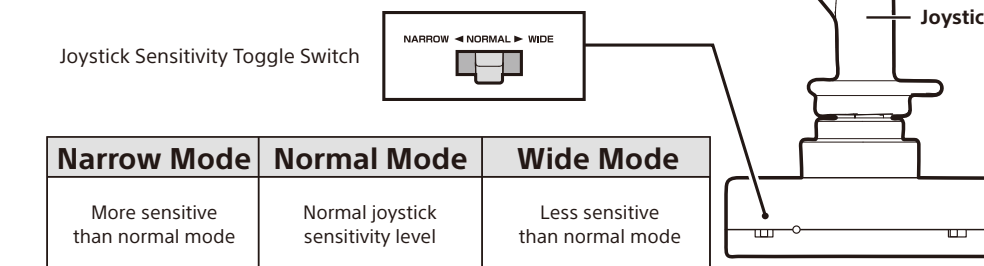
## Adjusting Throttle Resistance

The resistance can be adjusted by turning the screw located on the bottom side of the throttle.



## Adjusting Joystick Sensitivity

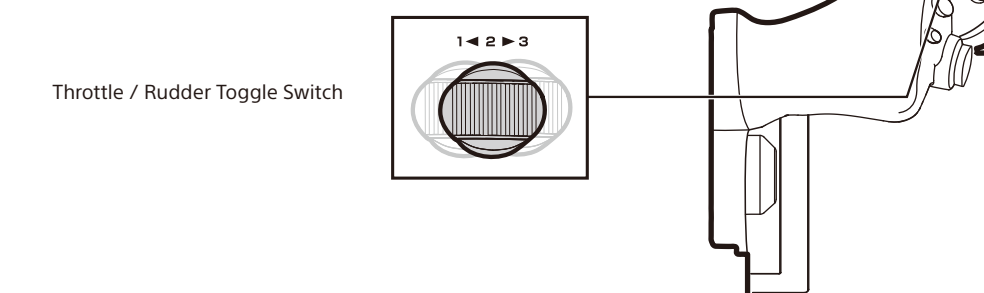
The joystick sensitivity toggle switch can be set to 3 different levels of sensitivity.



Narrow Mode	Normal Mode	Wide Mode
More sensitive than normal mode	Normal joystick sensitivity level	Less sensitive than normal mode

## Throttle / Rudder Toggle Switch

The throttle / rudder toggle switch can be set to 3 different settings as shown in the diagram.



Switch position	1	2	3
	1 ← 2 → 3	1 ← 2 → 3	1 ← 2 → 3
Throttle	R2 (UP) / L2 (DOWN)	R1 (UP) / L1 (DOWN)	Right Analog Stick vertical control
Rudder	R1 (RIGHT) / L1 (LEFT)	R2 (RIGHT) / L2 (LEFT)	Right Analog Stick horizontal control

Right analog stick will not function during Setting 3 (R3 will function).

## Caution

- Never disassemble, repair, or modify this product.
- Keep the controller away from dusty or humid areas.
- Do not apply strong impact or weight on the product.
- Do not pull roughly or bend the cable of the controller.
- If product needs cleaning, use only a soft dry cloth. Do not use any chemical agents like benzine or thinner.
- Keep this product out of the reach of children under 3.

## Troubleshooting

### ① Pressing the PS button does not turn on the PlayStation®4 system

The PS button on this product will not turn on the PlayStation®4 system. Please press the PS button on the DUALSHOCK®4 or press the power button on the PlayStation®4 system.

### ② The PS button does not respond during gameplay

Please check the PS4/PS3 System Toggle Switch on this product. Make sure it is set to "PS4" for PlayStation®4 and "PS3" for PlayStation®3.

### ③ Controls respond in the home screen but not during gameplay

For the PlayStation®4, controls will not respond if the user account is different from the one used at the start of the game. Make sure to always log in with the same user account.

### THE FCC WANTS YOU TO KNOW

This equipment has been tested and found to comply with the limits for a Class B digital device, pursuant to Part 15 of the FCC Rules. These limits are designed to provide reasonable protection against harmful interference in a residential installation. This equipment generates, uses and can radiate radio frequency energy and, if not installed and used in accordance with the instructions, may cause harmful interference to radio communications. However, there is no guarantee that interference will not occur in a particular installation. If this equipment does cause harmful interference to radio or television reception, which can be determined by turning the equipment off and on, the user is encouraged to try to correct the interference by one or more of the following measures:  
• Reorient or relocate the receiving antenna.  
• Increase the separation between the equipment and receiver.

The normal function of the product may be disturbed by strong Electro-Magnetic Interference. If so, simply reset the product to resume normal operation by following the instruction manual (How to connect). In case the function does not resume, please relocate to an area which does not have electro-magnetic interference to use the product.

Please retain contact information for future reference.

### PRODUCT DISPOSAL INFORMATION

Where you see this symbol on any of our electrical products or packaging, it indicates that the relevant electrical product or battery should not be disposed of as general household waste in Europe. To ensure the correct waste treatment of the product and battery, please dispose of them in accordance with any applicable local laws or requirements for disposal of electrical equipment or batteries. In so doing, you will help to conserve natural resources and improve standards of environmental protection in treatment and disposal of electrical waste. Applicable to EU countries only.

### Warranty

HORI warrants to the original purchaser that the product purchased new in its original packaging shall be free of any defects in material and workmanship for a period of 1 year from the original date of purchase. For all warranty claims made within the first 30 days after purchase, please check with the retailer where the original purchase was made for details. If the warranty claim cannot be processed through the original retailer or for any other inquiries pertaining to our products, please address directly to HORI at [infous@hori.jp](mailto:infous@hori.jp). The image on the packaging may differ from the actual product. The manufacturer reserves the right to change the product design or specifications without notice. HORI and HORI logo are registered trademarks of HORI.

\*"PS", "PlayStation", "DUALSHOCK", "PS4" and "PS3" are registered trademarks or trademarks of Sony Interactive Entertainment Inc. All rights reserved. All other trademarks are the property of their respective owners. Manufactured and distributed under license from Sony Interactive Entertainment LLC.

Designed by HORI in Japan