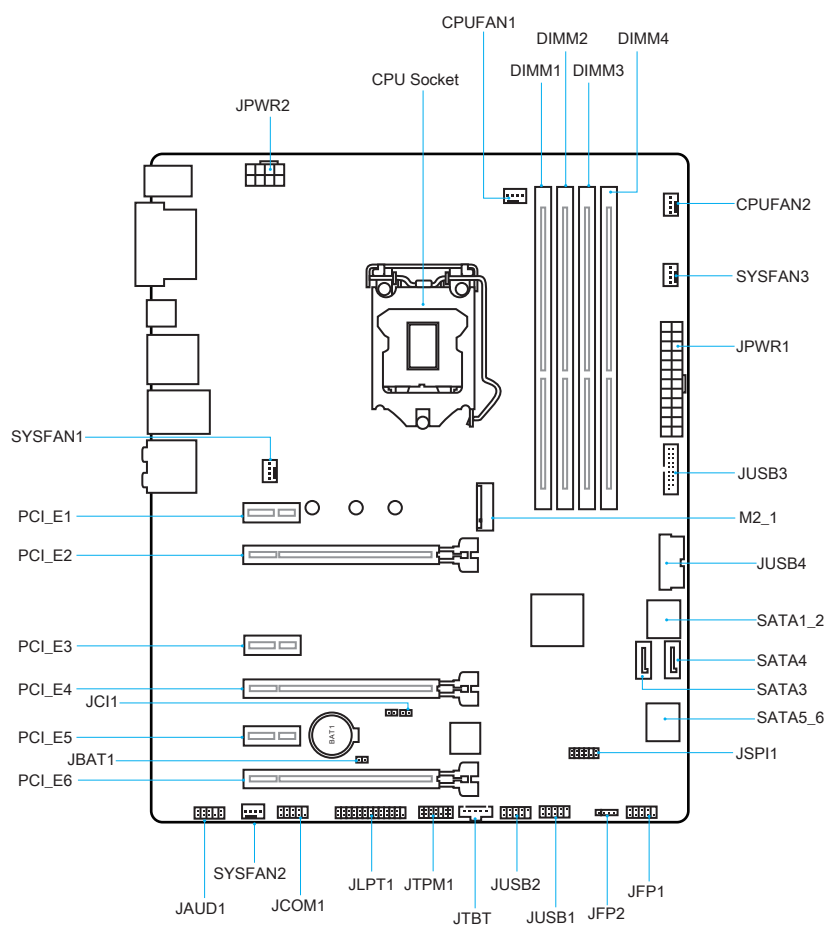


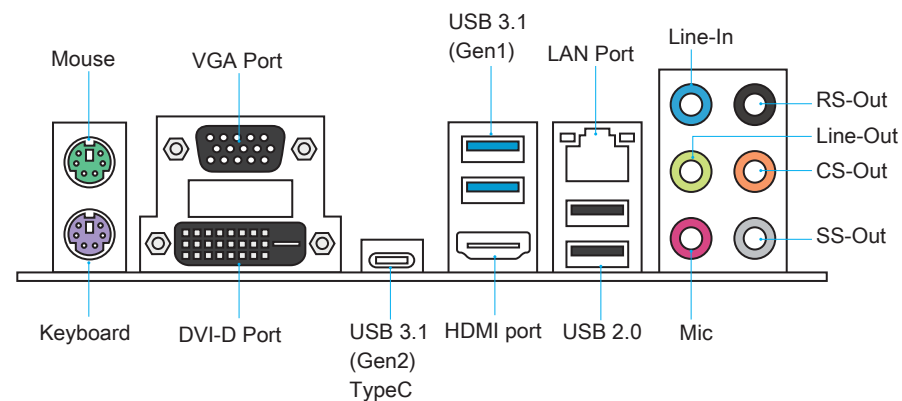
# Z170A SLI PLUS

(MS-7998v1.0)  
ATX Motherboard

## Motherboard Components Overview



## Rear I/O Panel



## Motherboard Specification

### CPU Support

- Supports 6th Generation Intel® Core™ Processors, and Intel® Pentium® and Celeron® Processors for Socket LGA1151

### Chipset

- Intel® Z170 Express Chipset

### Memory Support

- 4x DDR4 memory slots supporting up to 64GB
  - ▶ Supports DDR4 3200(OC)/ 3000(OC)/ 2800(OC)/ 2600(OC)/ 2400(OC)/ 2133 MHz
- Dual channel memory architecture
- Supports ECC
- Supports un-buffered memory
- Supports Intel® Extreme Memory Profile (XMP)

### Expansion Slots

- 3x PCIe 3.0 x 16 slots (support x16/0/4, x8/8/4 modes)

- 3x PCIe 3.0 x1 slots

### Onboard Graphics

- 1x HDMI port, supporting a maximum resolution of 4096x2160@24Hz
- 1x VGA port, supporting a maximum resolution of 2048x1536, 2048x1280, 1920x1200
- 1xDVI 1920x1200@60Hz

### Multi-GPU Support

- Supports 3-Way AMD® CrossFire™ Technology\*
  - Supports 2-Way NVIDIA® SLI™ Technology
- \* Supports Windows® 7 and Windows® 8/ 8.1

### Storage

- Intel Z170 Express Chipset
- 6x SATA 6Gb/s ports
- 1x M.2 ports, supports PCIe 3.0 x4, 4.2cm/ 6cm/ 8cm length SSD cards\*
- Supports RAID 0, RAID1, RAID 5 and RAID 10

## Motherboard Specification

- Supports Intel® Smart Response Technology, Intel® Rapid Start Technology and Intel® Smart Connect Technology<sup>1</sup>

### USB

- Intel Z170 Express Chipset
- 6x USB 2.0 (2 ports on the back panel, 4 ports available through the internal USB connectors)
- 6x USB 3.1 Gen1 ports(2 ports on the back panel, 4 ports available through the internal USB connectors)
- ASMedia ASM1142 Chipset
- 1x USB 3.1 Gen2 (Superspeed USB 10 Gbps) ports

### Audio

- Realtek® ALC1150 Codec
- 7.1-Channel High Definition Audio

### LAN

- 1x Intel I219-V Gigabit LAN controller

### Back Panel Connectors

- 1x PS/2 keyboard/ mouse port
- 1x USB 3.1 Gen2 (10GT/s) port
- 2x USB 3.1 Gen1 (5GT/s) ports
- 2x USB2.0 ports
- 1x HDMI port
- 1x DVI port
- 1X VGA port
- 1x LAN (RJ45) port

### Internal Connectors

- 1x 24-pin ATX main power connector
- 1x 8-pin ATX 12V power connector
- 6x SATA 6Gb/s connectors
- 2x USB 2.0 connectors (support additional 4 USB 2.0 ports)
- 4x USB 3.1 Gen1(5GT/s) connectors
- 2x 4-pin CPU fan connectors
- 3x 4-pin system fan connectors

<sup>1</sup> Supports Intel® Core processors on Windows® 7 and Windows® 8/ 8.1.

- 1x Front panel audio connector
- 2x Front panel connectors
- 1x TPM module connector
- 1x Chassis Intrusion connector
- 1x Serial port connector
- 1x Parallel port connector
- 1x Clear CMOS jumper
- 1x TBT connector

### I/O Controller

- NUVOTON NCT6793D+ Controller Chip

### Hardware Monitor

- CPU/System temperature detection
- CPU/System fan speed detection
- CPU/System fan speed control

### BIOS Features

- 1x 128 Mb flash
- UEFI AMI BIOS
- ACPI 5.0, PnP 1.0a, SM BIOS 2.8
- Multi-language

### Special Features

- DDR4 Boost Support
  - \* Dual-Channel DDR4 Memory Support
  - \* Isolated DDR4 Circuit Design
  - \* DDR4 XMP Ready
- PCI Express 3.0 Support
  - \* 3-Way AMD CrossFire™ Support
- USB 3.1 Gen2 Ready
- NVMe / AHCI Driver Support
- EZ Debug LED

### MSI Exclusive features

- CLICK BIOS
  - \* Hardware Monitor
- COMMAND CENTER
  - \* System Monitor
  - \* Smart Fan Control
- RAMDISK

- LIVE UPDATE 6
- M-CLOUD
- CPU-Z

### Form Factor

- ATX Form Factor
- 12 in. x 9.6 in. (30.5 cm x 24.4 cm)