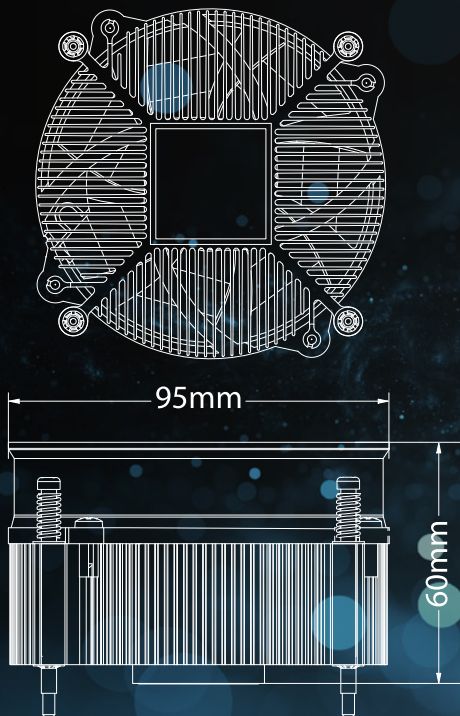


EKL 21909

for socket 115X, 1200 up to 95W TDP

EKL[®]
electronics cooling



Optimal Cooling Output for INTEL Processors

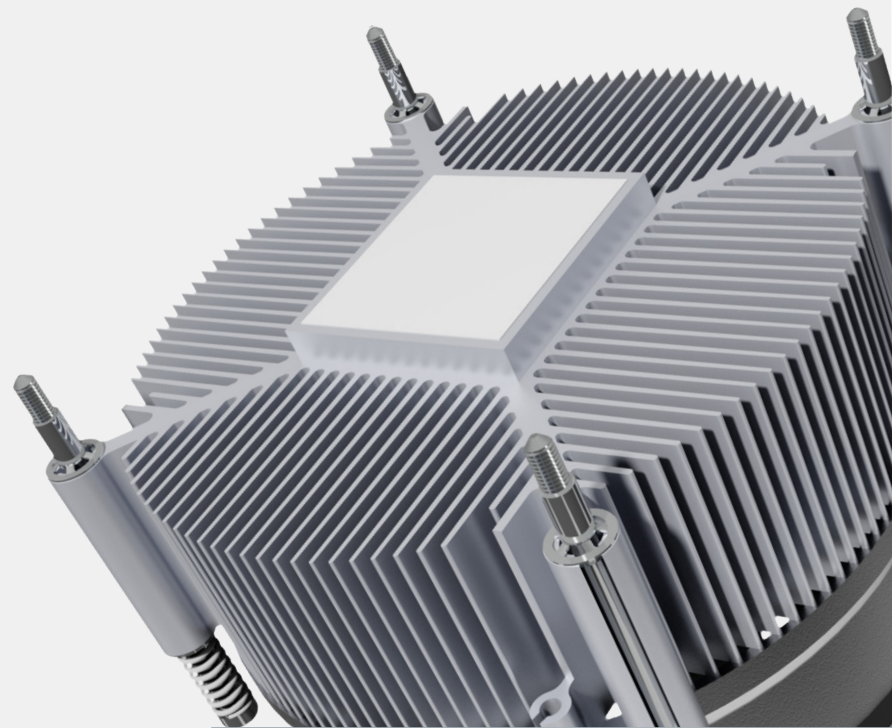
**The EKL AG offers high- end CPU Cooler for
INTEL[®] and AMD Processors**

EKL 21909 consists of an extrusion profile and dissipates the heat of your processor ideally and reliably. Having a compact height of just 60mm this cooler is ideally suited for any compact PC systems, work stations or also for the common office PC.

The mounted PWM cooler is supplied with a 4-pin connection and so can be controlled via the mainboard. This allows a regulated rpm range of 900 - 1800 rpm.

Key Features

- Safe screw mounting
- Cost optimized aluminum design
- High - performance TIM
- Silent 92 mm PWM fan
- Secure backplate already included



+49 (0) 7561 9837 0



info@ekl-ag.de

■ Optimal Cooling Output

■ Simple and Safe Fastening

■ Long Lifetime



Heatsink Specifications

Part number:	21910021009
Thermal design power:	95W TDP
Material:	Aluminum
Weight:	420g
Packaging unit:	30 cooler / carton
Compatibility*:	Intel socket 115X / 1200

Fan Specifications**

Dimensions:	Ø 92 x 25 mm
Speed:	900 - 1800 rpm
Bearing:	Hydraulic Bearing
Rated Voltage:	12 VDC
Airflow:	58,94 m ³ /h
Noise level:	17,8 - 24,8 dB(A)
Lifetime L10:	40.000 h at 40°C



* thermal and mechanical compatibility may differ due to the specific system used.

** According manufacturers datasheet.

EKL AG

electronics cooling

Nadlerstraße 8 - 10 * 88299 Leutkirch im Allgäu

Phone: +49 (0) 7561 9837 0 * Fax: +49 (0) 7561 9837 20

E-Mail: info@ekl-ag.de

www.ekl-ag.de

EKL[®]
electronics cooling