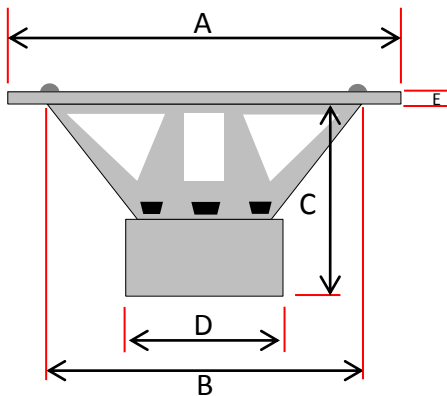




## TECHNICAL SPECIFICATIONS

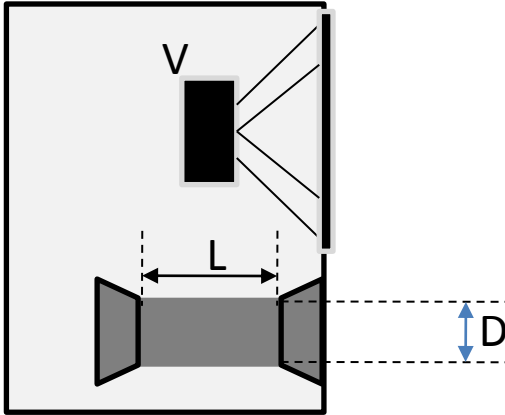
Product name	GZIW 12SPL	Gasket	Foam
Product type	Subwoofer chassis	Terminal	Chrome Push terminal
H.Art .nr.		Power handling	1000 W SPL Power
Diameter	310 mm / 12.2"	Impedance	2 x 2 Ohm
Mounting diameter	285 mm / 11.22"	Re	4.1 Ohm
Mounting depth	162 mm / 6.38"	Res	62.8 Ohm
Magnet dimension	2 x 145 x 20 mm	FS	36.9 Hz
Total weight	6 KG	Qms	6.57
Voice coil diameter	63 mm / 2.5" Round Wire	Qes	0.75
Voice coil winding height	30 mm / 1.18"	Qts	0.67
Voice coil wire material	Copper	Rms	7.2 kg/s
Voice coil former material	Aluminium	Cms	0.09 mm/N
Top plate height	8 mm / 0.315"	Mms	202.9 gr
Linear excursion (one direction)	11 mm / 0.433"	BL	16.1 N/A
Effective Xmax	35 mm / 1.38"	SPL	86 dB
Top Plate and T-Yoke color	Black	VAS	35.6 L / 1.257 cu.ft
Basket material	Steel	Le	2,83 mH
Basket color	Yellow	Recommended freq. response	35 – 120 Hz
Spider	2 layer Polycot / Connex	Recommended amplifier power	600 – 1000 WRMS @ 4 Ohm (1 Ohm)
Surround	V Shape High roll Foam	Sound Quality	☺☺ (max. ☺☺☺☺☺☺)
Cone	Reinforced Paper	SPL Competition	☺☺☺ (max. ☺☺☺☺☺☺)
Dustcap	Convex IMPP with 3D Logo	Low bass performance 20-50Hz	☺☺☺ (max. ☺☺☺☺☺☺)
Magnetcover	PVC boot	Mid bass performance 50-80Hz	☺☺☺ (max. ☺☺☺☺☺☺)



A	310 mm / 12.2"
B	285 mm / 11.22"
C	162 mm / 6.38"
D	150 mm / 5.9"
E	11 mm / 0.43"

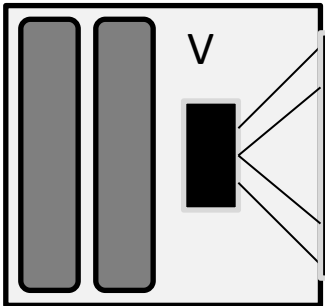


BOX RECOMMENDATION



**Medium size vented box**

V: 45 L / 1.59 cu.ft  
D: 100 mm / 4"  
L: \*210 mm / 8.27"  
No damping



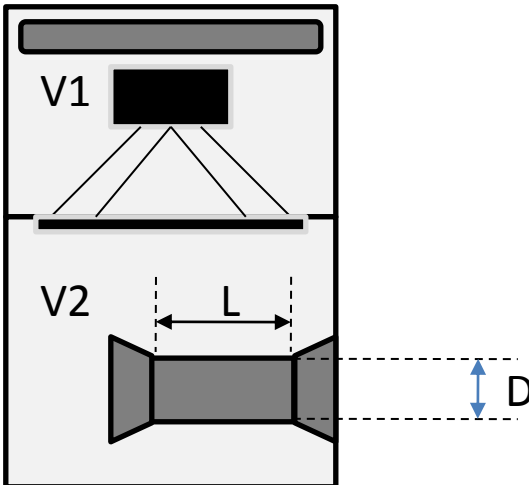
**Big size vented box**

V: 60 L / 2.12 cu.ft  
D: 100 mm / 4"  
L: \*170 mm / 6.69"  
No damping

**Big size sealed box ->  
Free Air**

35 – ~500 L / 1.24 – 17.66 cu.ft  
Qtc. 1.00 - 0.72

40 - 60% polyester wool



**Medium size bandpassbox**

V1: 25 L / 0.88 cu.ft  
V2: 40 L / 1.41 cu.ft  
D: 100 mm / 4"  
L: \*110 mm / 4.33"

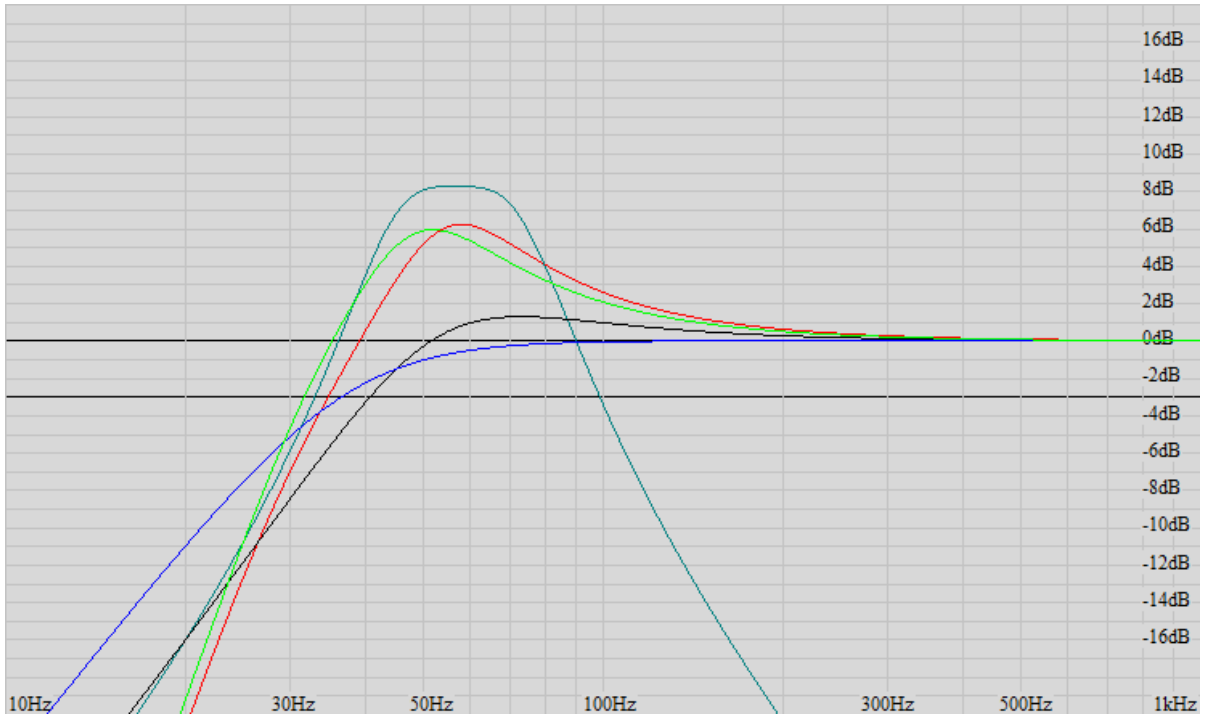
20% polyester wool in V1  
No damping in V2

\* Die hier aufgeführten Gehäusevorschläge sind nur einige, der möglichen Varianten.

Bitte beachten Sie zudem, dass die finale Abstimmung, speziell die Port Längen je nach Fahrzeug und eigenem Geschmack variiert werden sollte.  
Above-mentioned enclosure recommendations are just a few possible variations.

Please note that you should find the perfect tuning, especially port length, based on your car and own taste.



**BOX RECOMMENDATION**


Curve	Type	Volume	F3/ Qtc
Red	Vented	45 L / 1.59 cu.ft	34.6 Hz
Lightgreen	Vented	60 L / 2.12 cu.ft	31.6 Hz
Black	Sealed	35 L / 1.24 cu.ft	40 Hz / 1.00
Blue	Free Air	~ 500 L / 17.66 cu.ft	36.7 Hz / 0.72
Darkgreen	Bandpass 4th order	V1: 25 L / 0.88 cu.ft V2: 40 L / 1.41 cu.ft	Centerfreq. 57 Hz

\* Die hier aufgeführten Gehäusevorschläge sind nur einige, der möglichen Varianten.

Bitte beachten Sie zudem, dass die finale Abstimmung, speziell die Port Längen je nach Fahrzeug und eigenem Geschmack variiert werden sollte.

*Above-mentioned enclosure recommendations are just a few possible variations.*

*Please note that you should find the perfect tuning, especially port length, based on your car and own taste.*

