



**THE BEST SUPPORT  
FOR YOUR AV & IT HARDWARE**  
T: + 31(0)23-5478888 | E: info@newstar.eu | W: www.newstar.eu

## FPMA-D1200BLACK

## NEWSTAR FLAT SCREEN DESK MOUNT

Newstar Tilt/Turn/Rotate Desk Mount  
(grommet) for 32-60" Monitor Screen,  
Height Adjustable - Black



### SPECIFICATIONS

Color	Black
Depth	19 cm
Desk mount	Grommet
Height	46 - 60 cm
Height adjustment	Manual
Max. screen size	60
Max. weight	40
Min. screen size	32
Min. weight	0
Screens	1
Swivel (degrees)	360°
Tilt (degrees)	90°
Type	Full motion Tilt Swivel
VESA maximum	600x400 mm
VESA minimum	200x200 mm
VESA pattern	200x200 200x300 200x400 300x200 300x300 400x400 400x300 400x600 440x400 500x400 600x200 600x300 600x400
Warranty	5 year
EAN code	8717371442781

The NewStar desk mount, model FPMA-D1200BLACK is a tilt- and swivel desk mount for flat screens up to 60". This mount is a great choice for space saving placement on desks using a grommet mount.

NewStar's versatile tilt (90°) and swivel (360°) technology allows the mount to change to any viewing angle to fully benefit from the capabilities of the flat screen. The support is manually height adjustable from 46 to 60 centimetres. Depth 19 centimetres. An innovative cable management conceals and routes cables from mount to flat screen. Hide your cables to keep the workplace nice and tidy.

NewStar FPMA-D1200BLACK has one pivot point and is suitable for screens up to 60" (152 cm). The weight capacity of this product is 40 kg each screen. The desk mount is suitable for screens that meet VESA hole pattern 200x200 to 600x400mm. Different hole patterns can be covered using NewStar VESA adapter plates.

By using an ergonomic mount neck- and back complaints can be avoided. Ideal for use in offices and on counters or in a reception area.

All installation material is included with the product.

NewStar Products Europe B.V.  
Wateringweg 62/B  
2031 EJ HAARLEM  
THE NETHERLANDS

Phone : +31(0)23-5478888  
Fax : +31(0)23-5478889  
Email : info@newstar.nl  
Website : www.newstar.eu

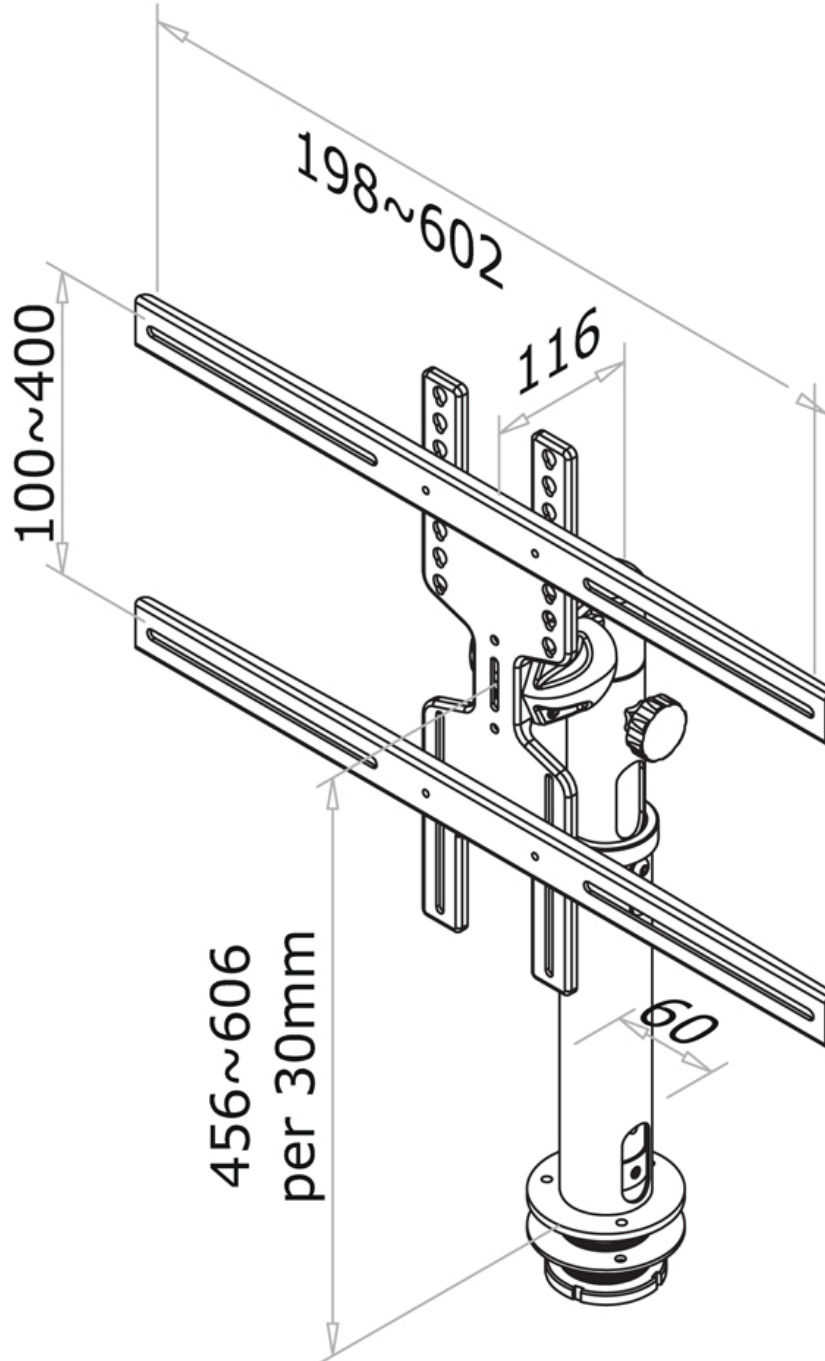
NewStar cannot be held liable for any inaccuracies and copyrights.  
No part of this publication may be reproduced and/or published by print, photocopy, microfilm or in any other way, without prior written permission of  
NewStar Computer Products Europe BV.



THE BEST SUPPORT  
FOR YOUR AV & IT HARDWARE  
T: + 31(0)23-5478888 | E: info@newstar.eu | W: www.newstar.eu

# FPMA-D1200BLACK

# NEWSTAR FLAT SCREEN DESK MOUNT



NewStar Products Europe B.V.  
Wateringweg 62/B  
2031 EJ HAARLEM  
THE NETHERLANDS

Phone : +31(0)23-5478888  
Fax : +31(0)23-5478889  
Email : info@newstar.nl  
Website : www.newstar.eu

NewStar cannot be held liable for any inaccuracies and copyrights.  
No part of this publication may be reproduced and/or published by print, photocopy, microfilm or in any other way, without prior written permission of NewStar Computer Products Europe BV.