

SMS Projector CL F



At the top of its game.

SMS Projector CL F is a popular ceiling bracket for lighter projectors. A construction that is as durable and reliable as it is eye-catching. Unsightly cables are hidden inside the bracket. A white cover plate for suspended ceilings is available as an accessory. It can be mounted last, when all cables are in place, for simple and nice-looking installation. SMS Projector CL F is the result of design and function working in harmony at an affordable price.

The bracket is easy to install and the pillar can be cut to the desired length. The SMS Unislide is included in the package. Color: Aluminium/silver.

INFO

Color: Aluminum/silver.
Max load: 12 kg
Weight: 1-3 kg (depending on length of bracket).
Length: 75 (cannot be cut), 250, 500, 700, 1000, 1500 and 2300 mm.
Swivel & Tilt: The projector can be swiveled 360° and tilted 25°.

ART. NO.

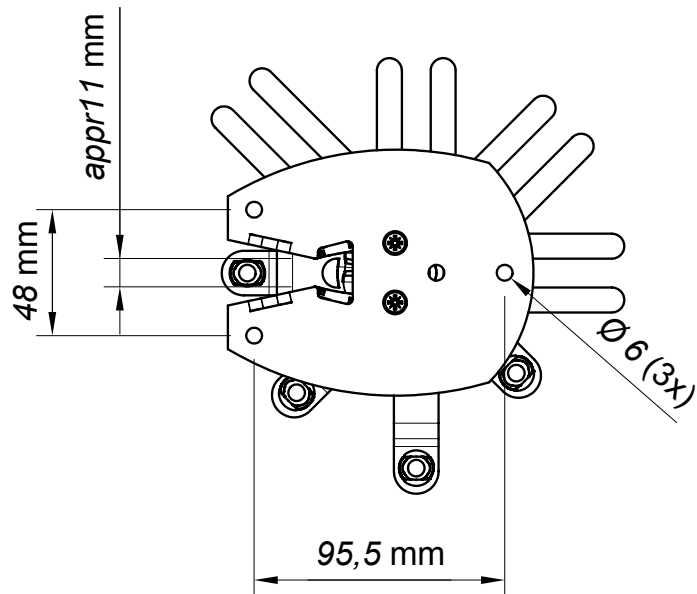
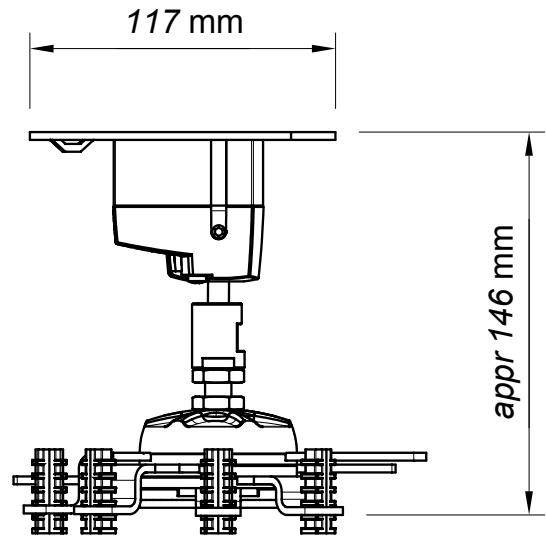
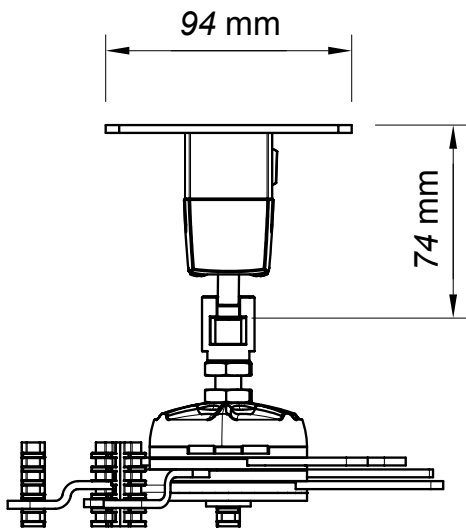
AE014015 SMS Projector CL F75 Alu/silver
AE014025 SMS Projector CL F250 Alu/silver
AE014027 SMS Projector CL F500 Alu/silver
AE014028 SMS Projector CL F700 Alu/silver
AE014029 SMS Projector CL F1000 Alu/silver
AE014030 SMS Projector CL F1500 Alu/silver
AE014031 SMS Projector CL F2300 Alu/silver

DESCRIPTION

ACCESSORY

AE050021 Cover Plate CM F/CL F White

PRODUCT DIMENSIONS [mm]



We reserve the right to introduce changes in the product specifications after the printing and publication of this document.