

PRODUCT SHEET



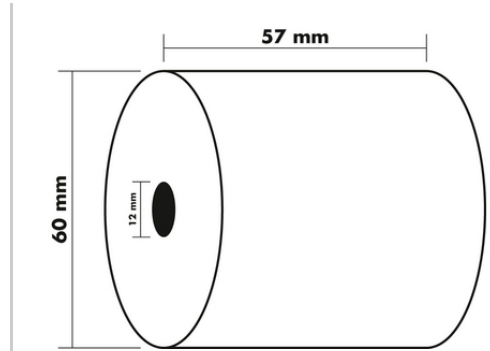
Ref. : 40347E
Description : Roll 1 ply therm 57x60x12 printed FSC noBPA
Material : Thermal paper
Color :

Product Size : 57 x 60 x 60 MM
Weight: 60 G
Ean code :

Quantity : 10
Size Set (LxIxh) : 300.0 x 120.0 x 60.0
Weight Set : G
EAN Set : 3130631403479

Quantity : 60
Size Pack (LxIxh) : 320.0 x 252.0 x 191.0
Weight Pack: 3600.0 G
EAN Pack : 3130632403478

Quantity : 2880
Size Pallet : 1200.0 x 800.0 x 1296.0 MM



Specifications :

Certification : **FSC Mixte**
Certification : **BPA-free A**
Material : **Thermal paper**
Grammage : **55G/M2**
Product type : **Rolls**
Typ : **Bobine 1 pli**
Quality : **Thermique sans Bisphénol A**
Packaging : **Shrinkwrapped**
Exterior size : **57x60x12x44**