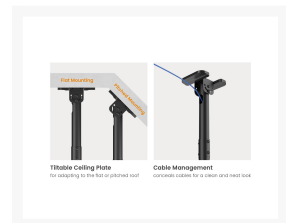
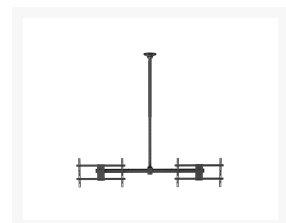



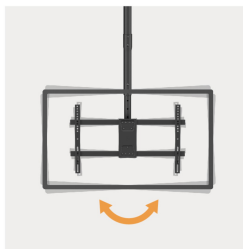
650376 32"-60" Dual TV Ceiling Mount

Product Images

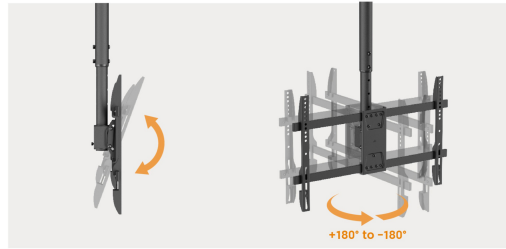




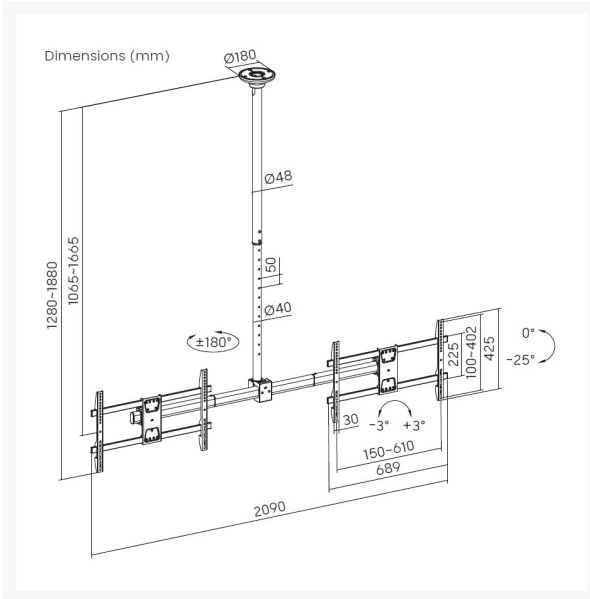
Telescopic Pole
keeps height adjustment quick and easy



Leveling Adjustment
allows the TV to be perfectly positioned after hanging



Freely Tilting & Swiveling
provide maximum flexibility for an ideal viewing angle



Short Description

- **VESA compliant:** Supports mounting patterns up to 600 × 400.
- **Strong load capacity:** Rated to hold TVs up to 40 kg.
- **360° pole rotation:** Allows screens to rotate around the pole for optimal viewing.
- **Telescopic height adjustment:** Enables easy height tuning for better visibility.
- **Freely angling and swiveling:** Offers flexible viewing angles to suit different layouts.
- **Sturdy steel construction:** Ensures stability and long-lasting durability.
- **Dual screen ceiling solution:** Supports two side-by-side 32"-60" flat-panel TVs or monitors.
- **Cable management:** Built-in system keeps cables concealed and organized.

Description

The 32"-60" Dual TV Ceiling Mount is a space-saving, professional display solution designed to support two side-by-side flat-panel TVs or monitors. Ideal for digital signage, advertising and information displays in retail stores, airports, restaurants, lobbies and

meeting areas, it accommodates screens from 32 to 60 inches with compatible VESA mounting patterns. Sturdy steel construction provides stability and durability even in high-traffic environments. The telescopic pole and tilt mechanism allow flexible height and angle adjustment, while 360° rotation around the pole and freely angling and swiveling functions help you achieve optimal viewing from different directions. An integrated cable management system conceals and organizes wires for a clean, sleek installation.

Additional Information

Harmonized System (HS) code.	852990
Customs product code (TARIC).	8529909600
Approval and Compliance.	RoHS, REACH
Package Contents.	Dual Screen Ceiling Mount User Manual Screws kits
Color.	Black
EAN.	4015867241622
Model Number.	650376
Dimensions (W x D x H).	2090 x 180 x 1880 mm
Product weight (kg).	11.85
Anti-theft.	No
Cable management.	Yes
Bracket type.	Tiltable and Swivel
Load Capacity (kg).	4通
Material.	Stainless Steel
Screens support quantity.	2
Support Curved TV (Monitors).	Yes
VESA compatibility.	200x200,300x200,400x200, 300x300,400x300,400x400, 600x400

