

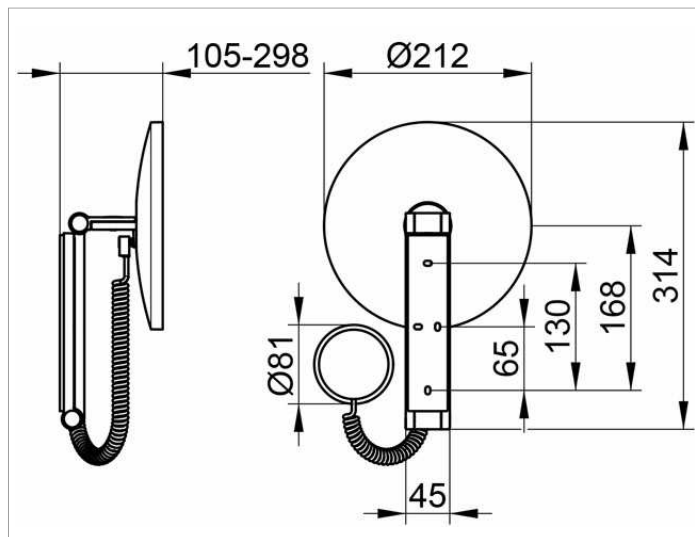
**Cosmetic mirrors**

17612019000 Cosmetic mirror

**PRODUCT**



**DRAWING**



**PRODUCT ATTRIBUTES**

illuminated, 5-stage adjustable light colour from 2700 kelvin (warm white) to 6500 kelvin (daylight)  
 glass control panel, spiral cord (block length 400 mm)  
 on pivoted rail adjustable in three dimensions  
 one-sided mirror, magnification factor x 5

**Operation:**

Glass control panel with capacitive touch sensor and LED display

**Power supply:**

Mains connection via wall socket,  
 12 V in-wall adapter, input 220-240 V,  
 standby consumption: < 0,5 watt

**Illumination:**

LED 4,5 watt (lifespan > 50.000 hours)

EEK: A , 5 kWh/1000h

**SURFACE**

chrome-plated

**DIMENSION**

mit Sensorsteuerung

**SPECIFICATIONS**

KEUCO iLook\_move Cosmetic mirror, 17612019000

high quality cosmetic mirror, round,  
 chrome-plated, illuminated,  
 on pivoted rail,  
 wall-mounted surface with 4 fixing points  
 for optimal load distribution,  
 adjustable in three dimensions, one-sided mirror,  
 magnification factor x 5,  
 power supply with in-wall adapter 230 V (included)  
 and a white spiral cord, 400 mm,  
 Lighting: 1 x 4,5 Watt LED (maintance-free lamps),  
 Standby consumption: smaller 0,5 Watt,  
 high quality, easy to clean control panel  
 with touch sensor technology,  
 Light colours: 2700 Kelvin (warm white) – 6500 Kelvin (daylight),  
 light colours can be adjusted individually,  
 Height wall fixing 180 mm, width ca. 45 mm,  
 max. heigt ca. 500 mm,  
 outside diameters 212 mm, max. depth ca. 300 mm,  
 delivery includes anti-corrosion fixings

**Note:**

Transformer to be housed in recessed function box (68mm)

Please go to [www.keuco.de](http://www.keuco.de) for detailed instructions and advise.