



**THE BEST SUPPORT  
FOR YOUR AV & IT HARDWARE**  
T: +31(0)23-5478888 | E: info@newstar.eu | W: www.newstar.eu

## FPMA-D650DBLACK

## NEWSTAR FLAT SCREEN DESK MOUNT

NewStar full motion desk mount - Black



### SPECIFICATIONS

<b>Cable management</b>	Yes
<b>Color</b>	Black
<b>Depth</b>	50,6 cm
<b>Desk mount</b>	Grommet
	Clamp
<b>Height</b>	11-42 cm
<b>Height adjustment</b>	Gaspring
<b>Max. screen size</b>	27
<b>Max. weight</b>	7
<b>Min. screen size</b>	17
<b>Min. weight</b>	2
<b>Rotate (degrees)</b>	360°
<b>Screens</b>	2
<b>Swivel (degrees)</b>	180°
<b>Tilt (degrees)</b>	130°
<b>Type</b>	Full motion
<b>VESA maximum</b>	100 x 100
<b>VESA minimum</b>	75 x 75
<b>Warranty</b>	5 year
<b>Width</b>	24-98 cm
<b>EAN code</b>	8717371448448

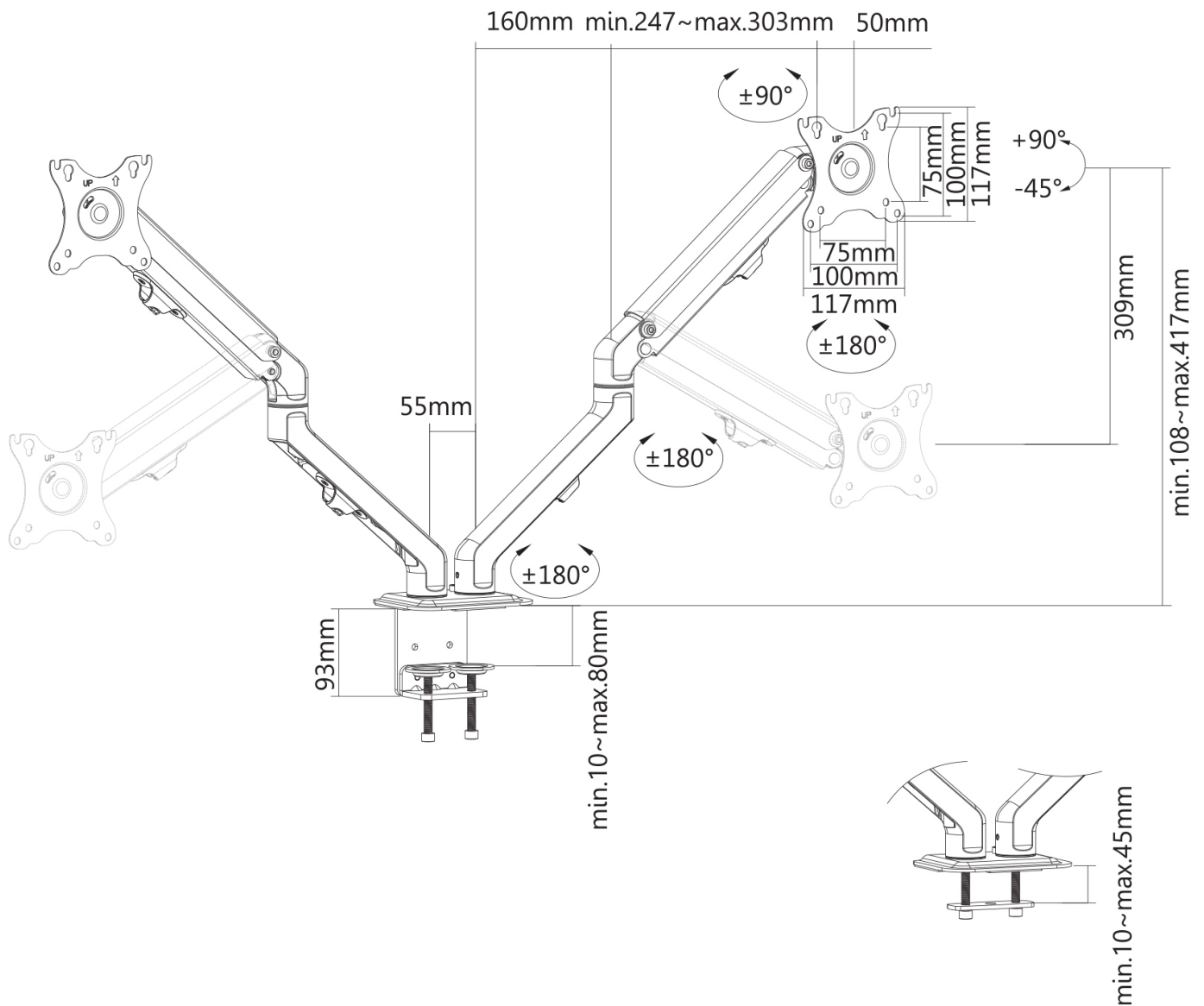
The NewStar FPMA-D650DBLACK is a full motion desk mount for two flat screens up to 27" with a maximum weight capacity of 7 kg. The versatile tilt (130°), rotate (360°) and swivel (180°) technology allows the mount to change to any viewing angle to fully benefit from the capabilities of the flat screen. Additionally, the mount features spring-assisted height adjustment (11-42 cm) and depth adjustment (0-51 cm), to create the perfect work situation. The smart cable management clips ensure orderly routing of the cables.

The FPMA-D650DBLACK has two pivot points and suitable for screens that meet VESA hole pattern 75x75 or 100x100mm. Deviant hole patterns can be covered using one of NewStar's VESA adapter plates. The NewStar FPMA-D650DBLACK comes with both desk clamp and grommet.



**THE BEST SUPPORT  
FOR YOUR AV & IT HARDWARE**  
T: +31(0)23-5478888 | E: info@newstar.eu | W: www.newstar.eu

# FPMA-D650DBLACK NEWSTAR FLAT SCREEN DESK MOUNT



NewStar Products Europe B.V.  
Wateringweg 62/B  
2031 EJ HAARLEM  
THE NETHERLANDS

Phone : +31(0)23-5478888  
Fax : +31(0)23-5478889  
Email : info@newstar.nl  
Website : www.newstar.eu

NewStar cannot be held liable for any inaccuracies and copyrights.  
No part of this publication may be reproduced and/or published by print, photocopy, microfilm or in any other way, without prior written permission of NewStar Computer Products Europe BV.